

PD - FRONT LOADER

PD VTR BH 145A185-4GAL BT SC

Code: 0501092983

Series: S-0707

Revision: 00

Date Revision: JUNHO/2021

PARTS CATALOGUE



MARCHESAN



PRODUCTS

Code	Description
0106020353	PD VTR BH145A185-4GAL BT SC

ATTENTION: IMPORTANT

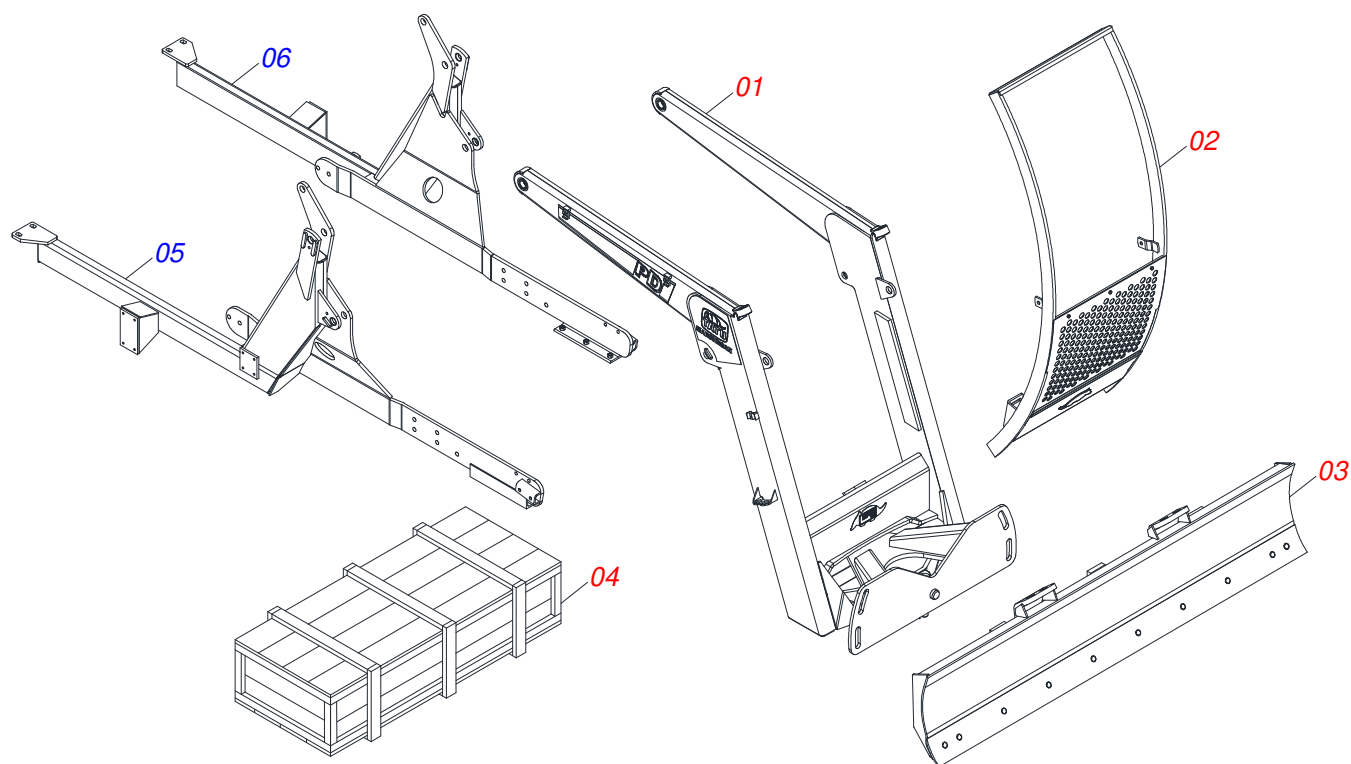
Marchesan S.A. reserves the right to improve and / or modify the technical features of its products, without obligation to do the same with those products already sold and without prior knowledge of the dealer or the consumer.



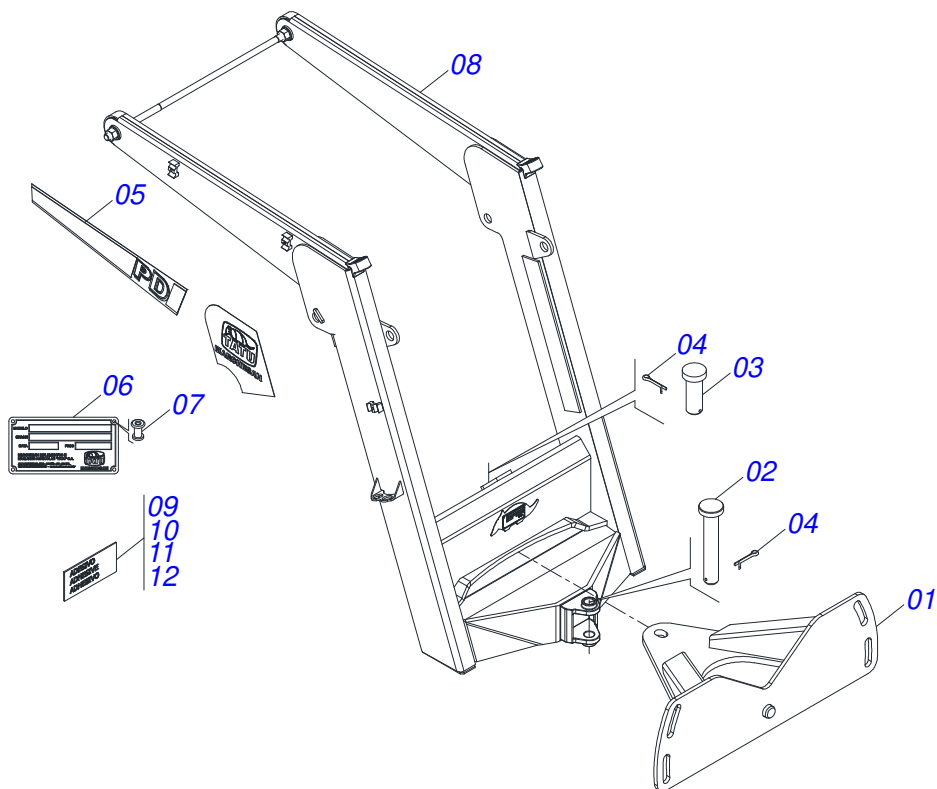
MARCHESAN

INDEX

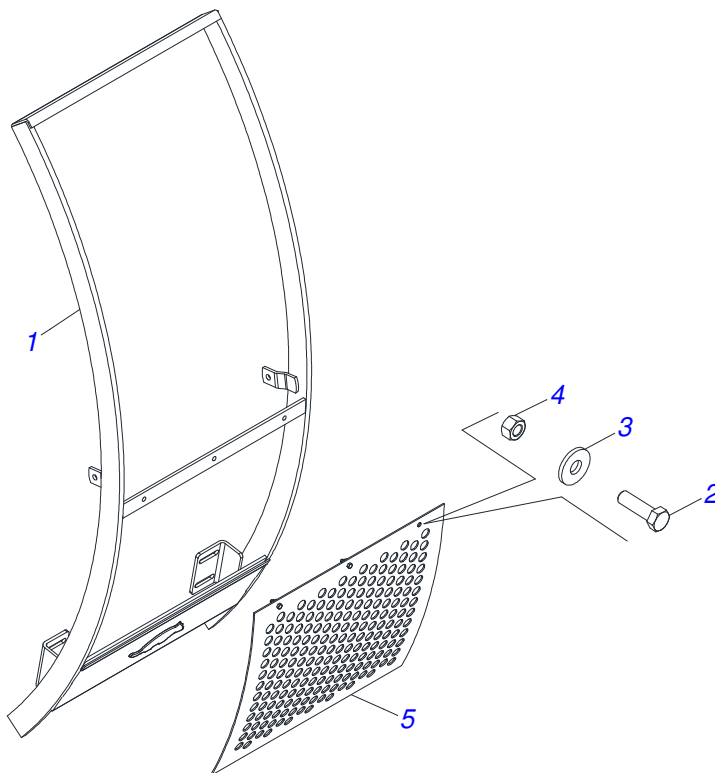
0106020353	PD VTR BH145A185-4GAL BT SC	1
0511046192	MOBILE SUPPORT GUIDE ASSY	2
0501049367	ASSY HIGH MOBILE SUPPORT GUIDE	3
0501047710	2600MM BLADE SUPPORT ASSY	4
0511022924	COMPONENT BOX	5
0511046144	RH HYDRAULIC CYLINDER	6
0511046145	LH HYDRAULIC CYLINDER	7
0501049588	1.1/4 NC X 1640 ROD	8
0501043212	ROD 1.1/4" NC X 3.818" ASSY	10
0909095878	HYDRAULIC CIRCUIT	11
0501036418	PACKED PARTS	13



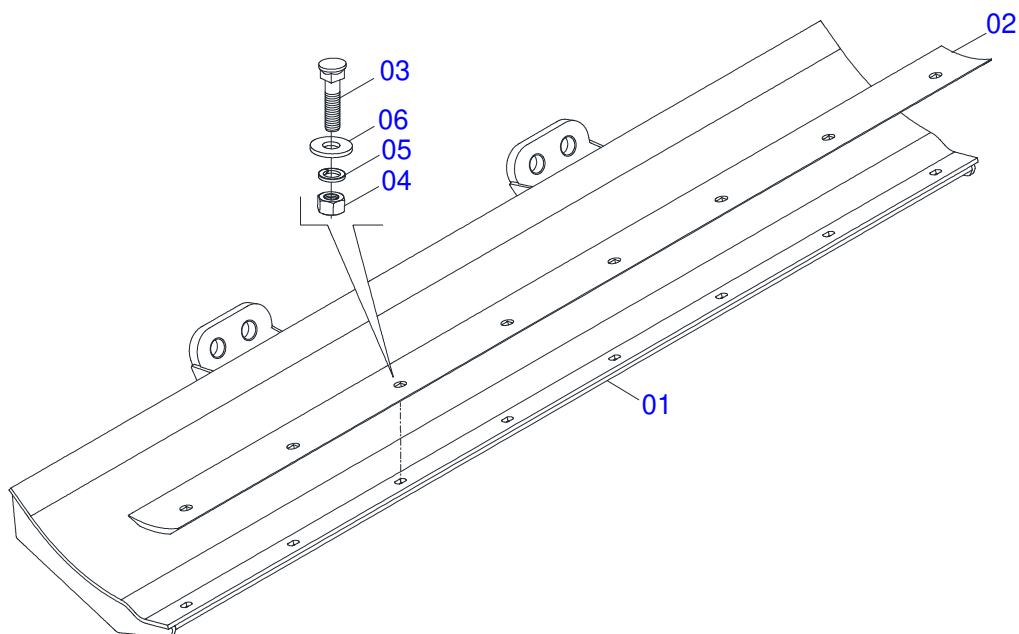
Item	Code	Description	See page	QT
01	0511046192	MOBILE SUPPORT GUIDE ASSY	2	01
02	0501049367	ASSY HIGH MOBILE SUPPORT GUIDE	3	01
03	0501047710	2600MM BLADE SUPPORT ASSY	4	01
04	0511022924	COMPONENT BOX	5	01
05	0511069496	RIGHT FRAME		01
06	0511069061	LEFT FRAME		01



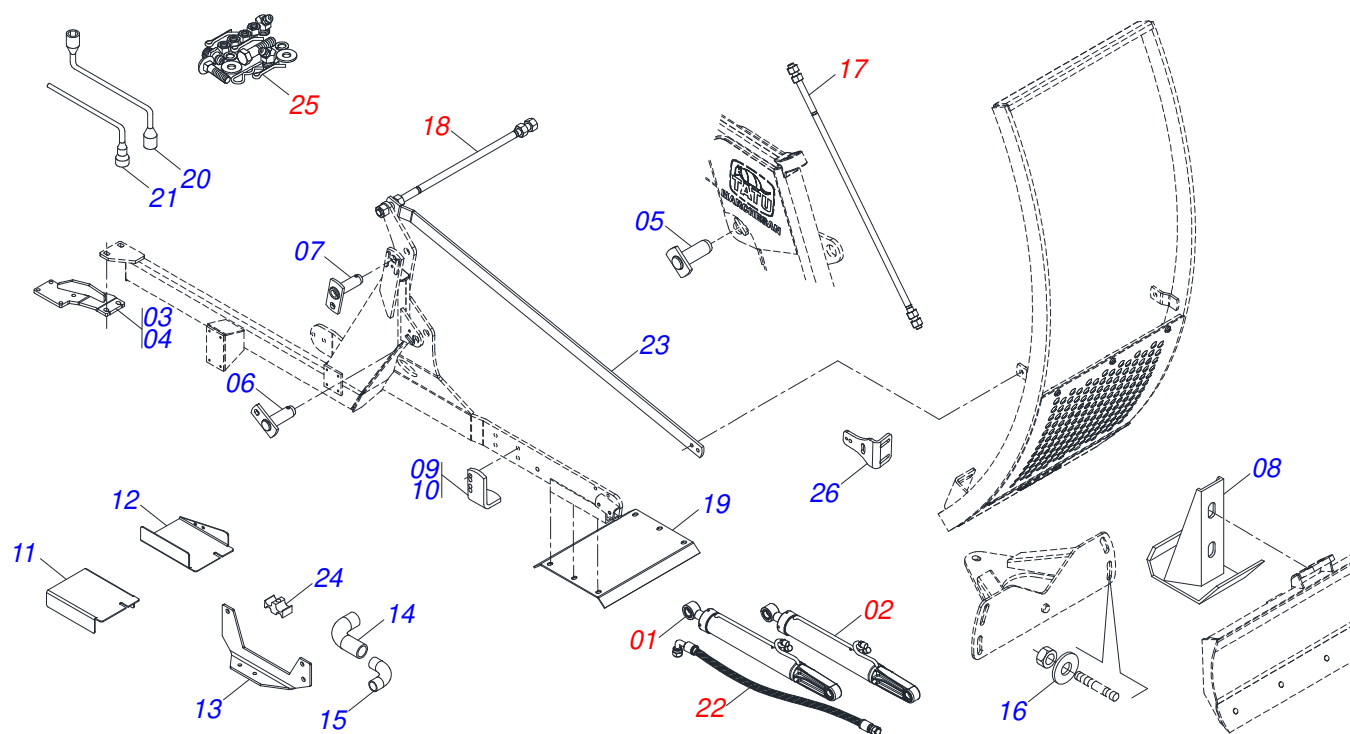
Item	Code	Description	See page	QT
01	0501062637	5/8" REGULATOR SUPPORT		01
02	0521010618	1.4" X 8.6" COUPLING SHAFT		01
03	0521010612	1.4" X 3.5" COUPLING SHAFT		01
04	0503010010	1/4" X 2.1/2" COTTERPIN		02
05	0503062270	SET LABEL ADHESIVE		01
06	0503034003	SERIAL NUMBER TAG 61 X 118		01
07	0503010001	3.2 X 5.5 RIVET		04
08	0521063345	MOBILE SUPPORT		01
09	0503031428	READ MANUAL DECAL		01
10	0503031827	LUBRICATE AND RETIGHTEN DAILY DECAL		01
11	0503034078	LIFTING POINTS DECAL		03
12	0503031087	ADHESIVE LABEL		01



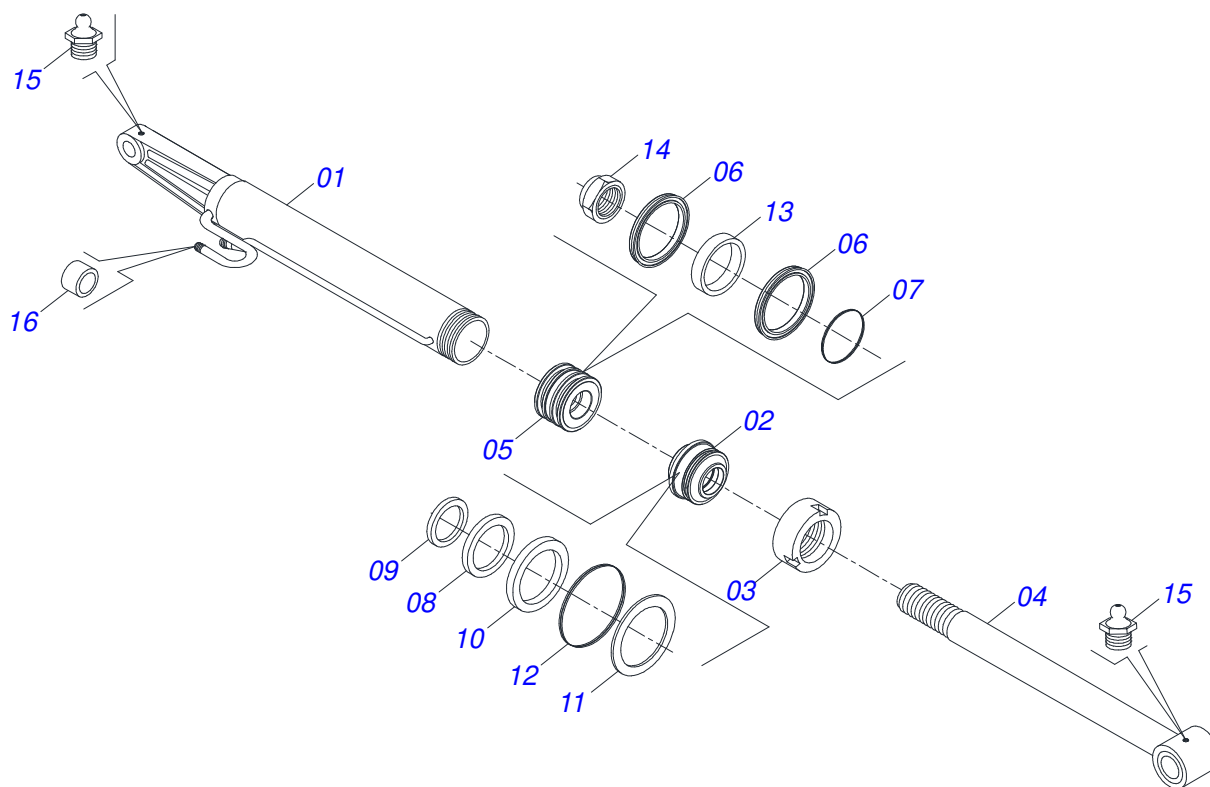
Item	Code	Description	See page	QT
01	0511061956	MOBILE SUPPORT GUIDE ASSY		01
02	0503010751	C3/8" X 1.1/4" HEX BOLT G.5		03
03	0501010984	FLAT WASHER		03
04	0503010026	3/8" NUT		03
05	0501014687	FRONT PROTECTION		01



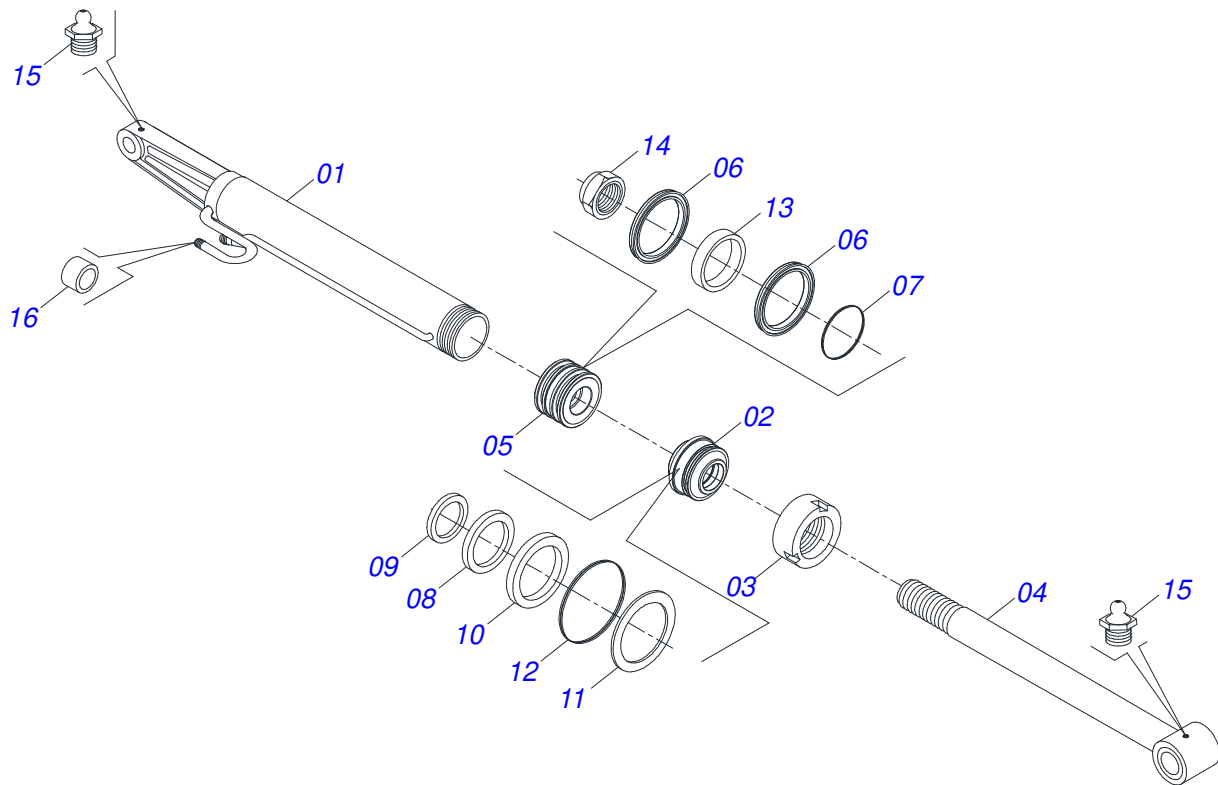
Item	Code	Description	See page
01	0501068001	2590MM BLADE SUPPORT ASSY	01
02	0622360011	2600 SCRAPER REVERSIBLE	01
03	0501012240	BOLT	08
04	0503010013	5/8" NUT	08
05	0503010027	5/8" SPRING WASHER	08
06	0501010301	FLAT WASHER	08



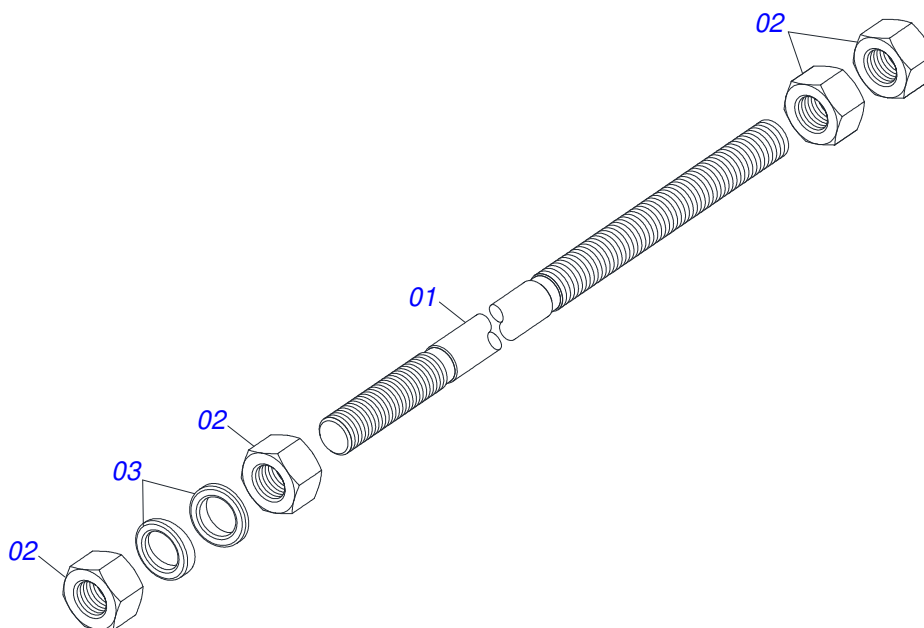
Item	Code	Description	See page	QT
01	0511046144	RH HYDRAULIC CYLINDER	6	01
02	0511046145	LH HYDRAULIC CYLINDER	7	01
03	0501064839	RH FRAME BRACKET		01
04	0501064840	LH FRAME BRACKET		01
05	0521063355	COUPLING SHAFT		02
06	0501063959	PIVOT SHAFT		02
07	0501063751	1.5" X 5.5" PIVOT SHAFT		02
08	0501063411	ESTABILIZER BRACKET		02
09	0511014395	FRONT AXLE BEATER		01
10	0511014396	FRONT AXLE BEATER		01
11	0551017061	RIGHT TUBE TANK OIL PROTECTION		01
12	0551017062	LEFT TUBE TANK OIL PROTECTION		01
13	0551017004	FIXER SUPPORT		01
14	0551017072	CURVED CONNECTION		02
15	0551017088	OIL CONDUCTOR		02
16	0501010574	FLAT WASHER		04
17	0501049588	1.1/4 NC X 1640 ROD	8	02
18	0501043212	ROD 1.1/4" NC X 3.818" ASSY	10	01
19	0541017381	FRAME LOCK		01
20	0501068213	5/8" WRENCH DOUBLE		01
21	0501061617	1" GANG BOLT WRENCH		01
22	0501057873	HOSE KIT		01
23	0551017063	FRENCH HAND		02
24	0502012702	BODY SUPPORT CLAMP		03
25	0501036418	PACKED PARTS	13	01
26	0571010158	FIXER GUIDE MOBILE SUPPORT		02



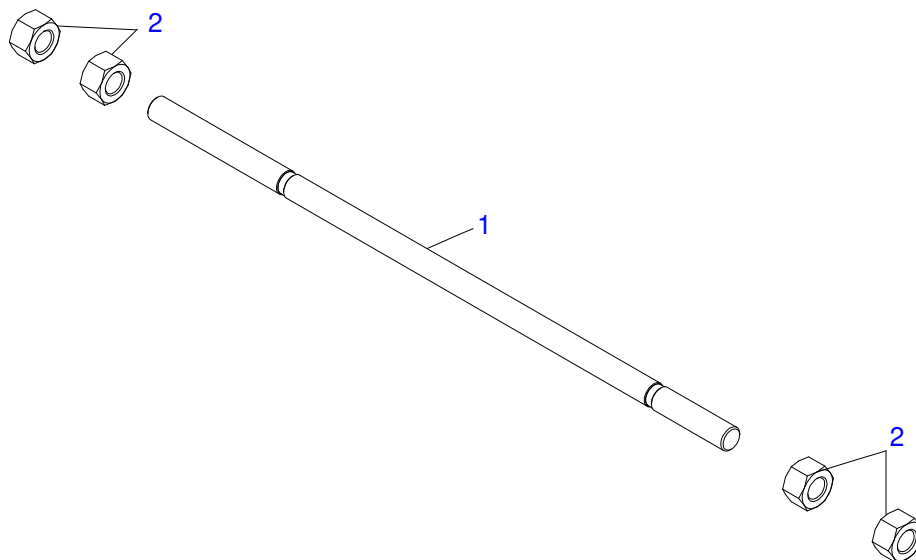
Item	Code	Description	See page	QT
01	0511068884	RH CYLINDER CASE		01
02	0502010778	2" X 4.2" RING SUPPORT		01
03	0502010017	4" HEAD		01
04	0511068874	TURNBUCKLE		01
05	0502010992	2.0" X 4.0" PISTON		01
06	0503010043	PACKING 3750-3250		02
07	0503010345	2-218 N 3006-9B O'RING		01
08	0503011061	8-342 BACK-UP RING		01
09	0503010338	2-342 N 3006-9B O'RING		01
10	0503010952	W2-2250-500 RING		01
11	0503010039	D-2000 SCRAPER RING		01
12	0503010991	1870-2000-375-B GASKET		01
13	0503010994	W2-4000-500 PK RING G.E		01
14	0503010817	1.1/4" SELF LOCKING NUT		01
15	0503010002	1800 GREASE FITTING		02
16	0503030387	PLUG		02



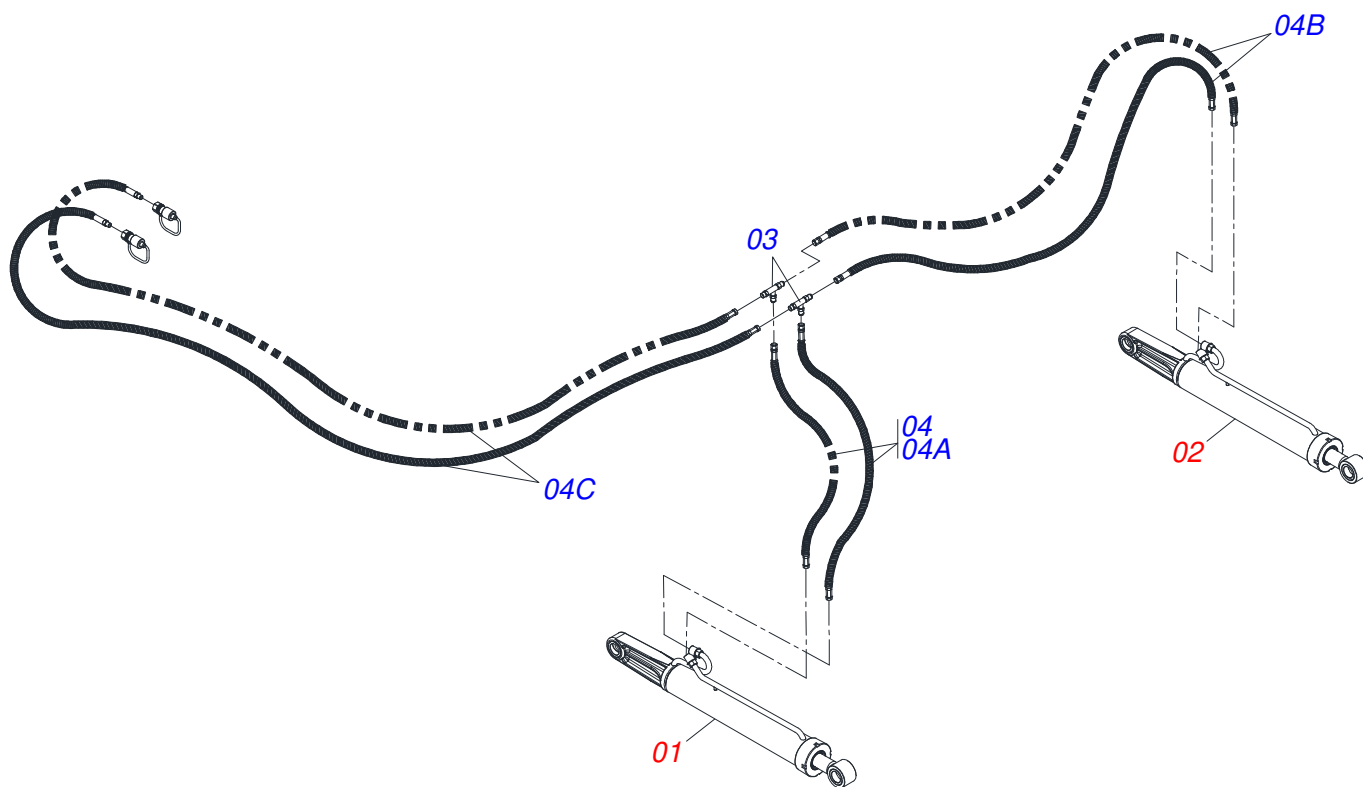
Item	Code	Description	See page	QT
01	0511068883	LH CYLINDER CASE		01
02	0502010778	2" X 4.2" RING SUPPORT		01
03	0502010017	4" HEAD		01
04	0511068874	TURNBUCKLE		01
05	0502010992	2.0" X 4.0" PISTON		01
06	0503010043	PACKING 3750-3250		02
07	0503010345	2-218 N 3006-9B O'RING		01
08	0503011061	8-342 BACK-UP RING		01
09	0503010338	2-342 N 3006-9B O'RING		01
10	0503010952	W2-2250-500 RING		01
11	0503010039	D-2000 SCRAPER RING		01
12	0503010991	1870-2000-375-B GASKET		01
13	0503010994	W2-4000-500 PK RING G.E		01
14	0503010817	1.1/4" SELF LOCKING NUT		01
15	0503010002	1800 GREASE FITTING		02
16	0503030387	PLUG		02



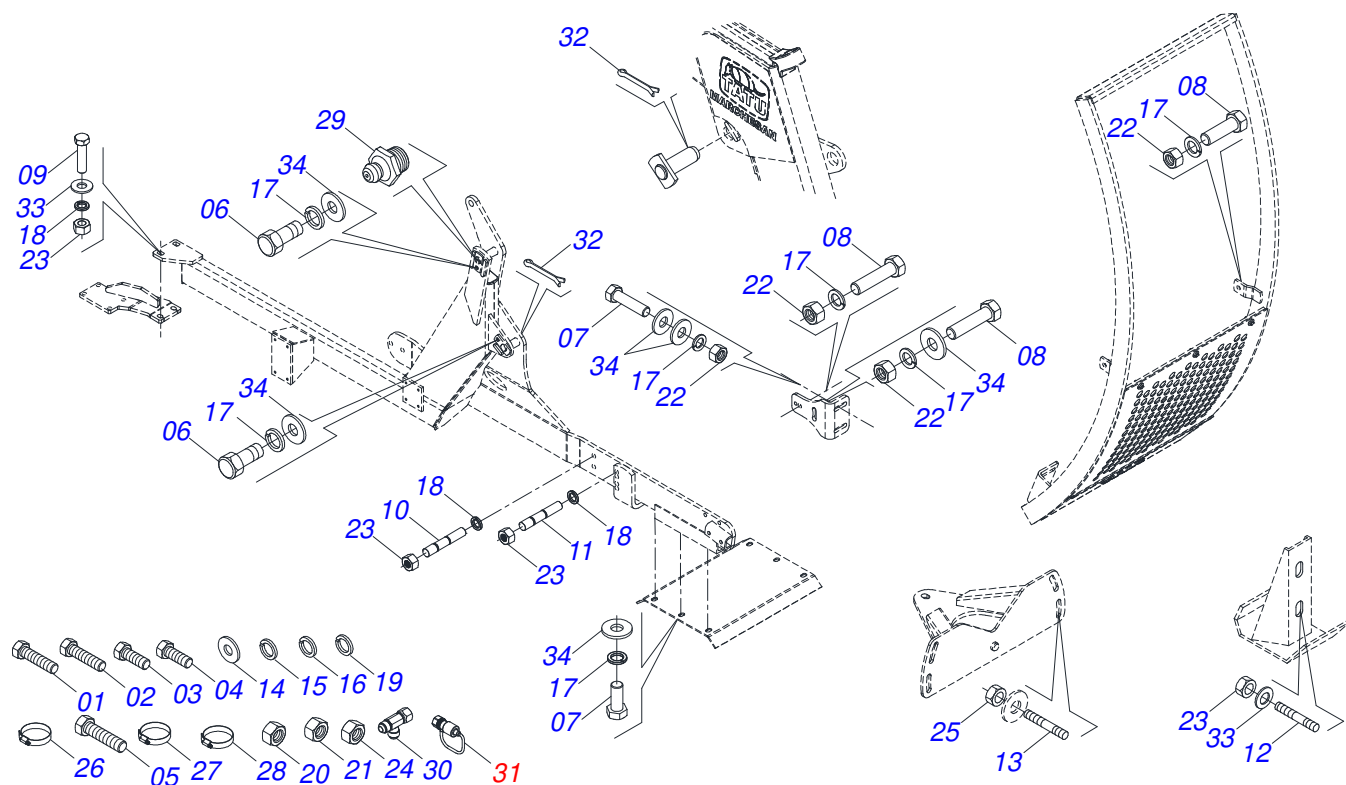
Item	Code	Description	See page	QT
01	0521018624	1.1/4 X 1640 ROD		01
02	0501010087	1.1/4" NUT		04
03	0502012180	CONICAL SPRING WASHER		02



Item	Code	Description	See page	QT
001	0501014915	ROD 1.1/4" NC X 3.818"		01
002	0501010087	1.1/4" NUT		04



Item	Code	Description	See page	QT
01	0511046144	RH HYDRAULIC CYLINDER	6	01
02	0511046145	LH HYDRAULIC CYLINDER	7	01
03	0503013493	T CONNECTION MALE		01
04	0501057873	HOSE KIT		01
04A	0501080021	1/2 X 1300 TR-TR HOSE ASSY		02
04B	0501080346	1/2" X 2000 TR-TR HOSE ASSY		02
04C	0501080223	1/2" X 106" TR-TM HOSE ASSY		02



Item	Code	Description	See page	QT
01	0503010237	3/8" X 1" BOLT		02
02	0503010751	C3/8" X 1.1/4" HEX BOLT G.5		04
03	0503011102	BOLT 7/16 UNC X 1.1/4 C S G.5 ZN		03
04	0503011401	1/2" X 3/4" BOLT		16
05	0503010920	1/2" X 1.1/2" BOLT		04
06	0503010962	5/8" X 1-1/4" BOLT		06
07	0503011267	BOLT 5/8 UNC X 1.1/2 C S G.5 ZN		06
08	0501010100	SCREW 5/8 UNC X 2 CS G.5 ZN		10
09	0501010500	3/4"X3"BOLT		04
10	0501010603	3/4" X 3.74" STUD		10
11	0511014160	3/4" X 4.52" STUD		04
12	0561016756	3/4 UNC X 3/4 UNC X 56 PRISONER		04
13	0561016755	PRISONER 1 UNC X 1 UNC X 76 ZN		04
14	0501010984	FLAT WASHER		06
15	0503010025	3/8" SPRING WASHER		06
16	0503010019	1/2" SPRING WASHER		20
17	0503010027	5/8" SPRING WASHER		22
18	0503010023	3/4" SPRING WASHER		18
19	0503010180	7/16" SPRING WASHER		03
20	0503010026	3/8" NUT		06
21	0503010060	1/2" NUT		04
22	0503010013	5/8" NUT		10
23	0503010014	3/4" NUT		08
24	0503010335	3/4"NUT		14
25	0501010059	1.5/8 NUT		04
26	0503010184	CLAMP		02
27	0503010243	CLAMP		06
28	0503010246	CLAMP		01
29	0503010002	1800 GREASE FITTING		06
30	0503013493	T CONNECTION MALE		02
31	0501053834	MALE QUICK COUPLER WITH CAP - 1/2 NPT		02



PACKED PARTS

0501036418

Item	Code	Description	See page	QT
32	0503010534	3/8 X 2-1/2 COTTERPIN		02
33	0501010322	FLAT WASHER		12
34	0501012140	FLAT WASHER		20



MARCHESAN

Technical Publications | Elaboration and Revision

MARINA PEREZ NIZA

www.marchesan.com.br

