

**PD - FRONT LOADER**

## **PD VTR BH 135I BT SC**

**Code:** 0501092982  
**Series:** S-0914  
**Revision:** 00  
**Date Revision:** FEVEREIRO/2022

# **PARTS CATALOGUE**



**MARCHESAN**



# PRODUCTS

Code	Description
0106020404	PD VTR BH 135I BT SC

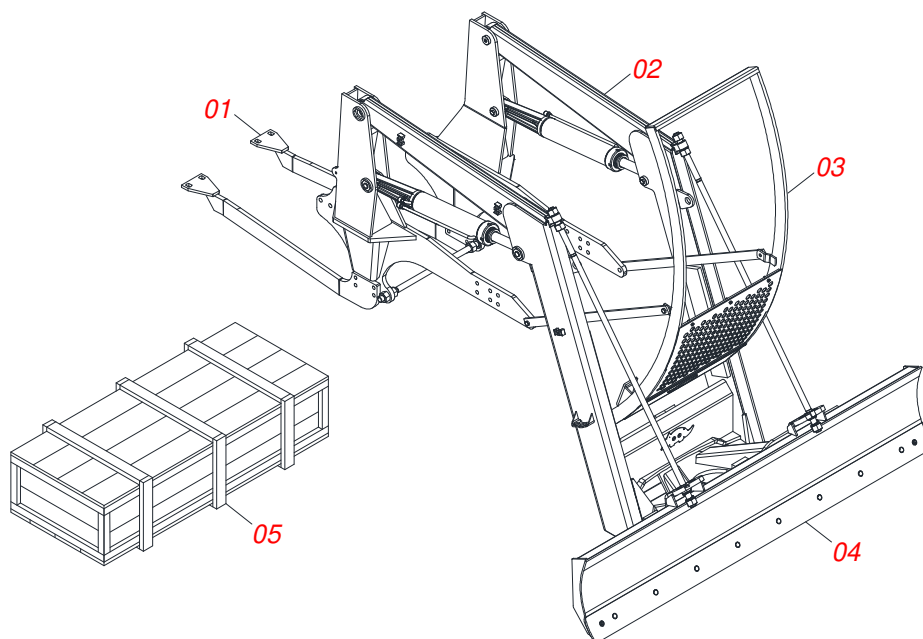
## ATTENTION: IMPORTANT

Marchesan S.A. reserves the right to improve and/or modify the technical features of its products, without obligation to do the same with those products already sold and without prior knowledge of the dealer or the consumer. The photos are only illustrative.

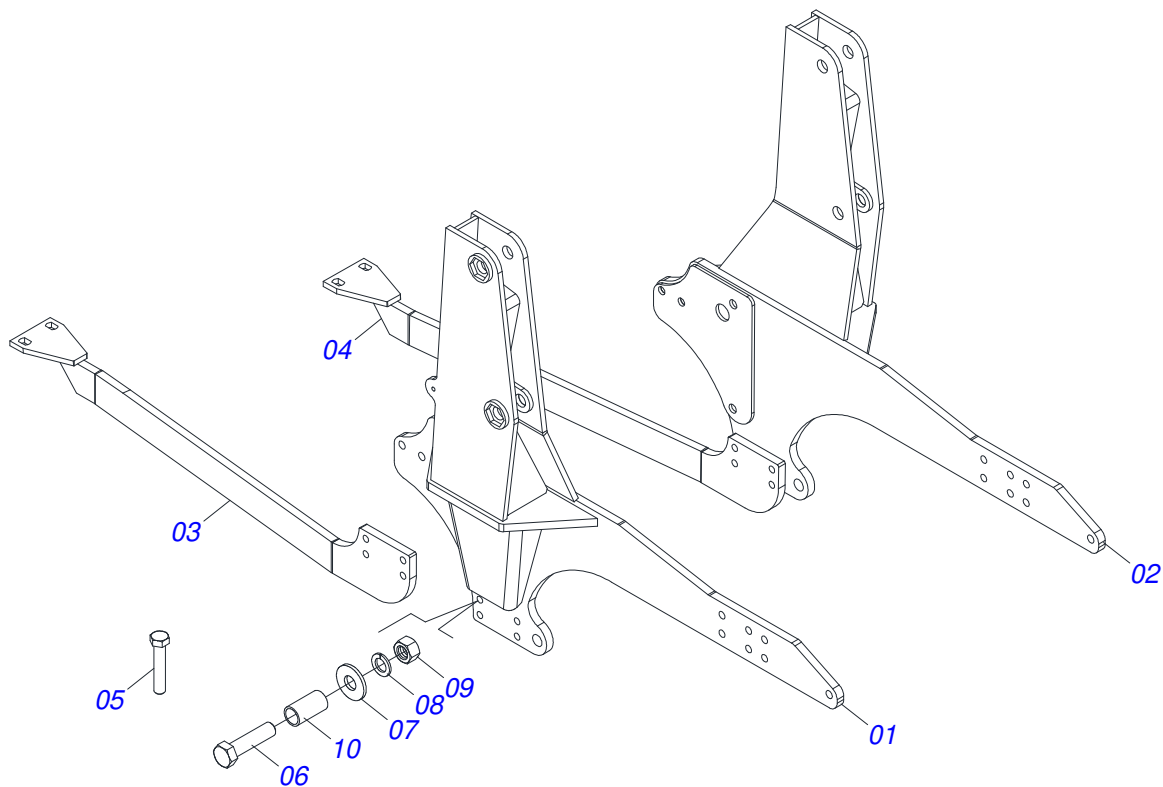


# INDEX

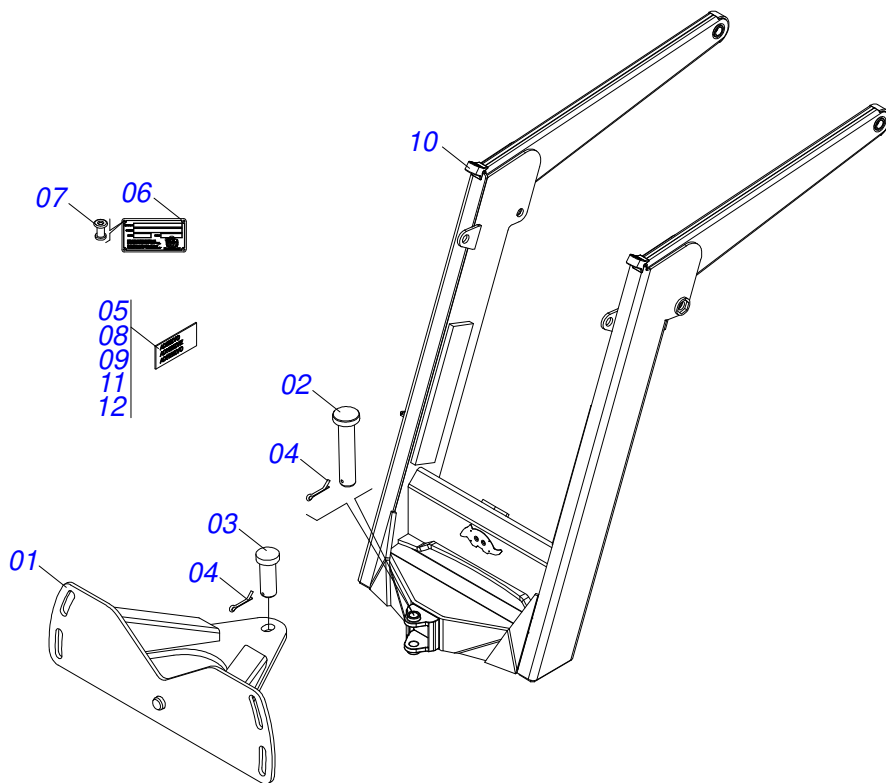
0106020404	PD VTR BH 135I BT SC	.....	1
0521044855	FRAME ASSEMBLY WITH REAR BAR	.....	2
0521044202	ASSY MOBILE SUPPORT	.....	3
0501049367	ASSY HIGH MOBILE SUPPORT GUIDE	.....	4
0501047710	2600MM BLADE SUPPORT ASSY	.....	5
0521021007	COMPONENT BOX	.....	6
0501041652	FULL 1.1/4" X 31.88" ROD ASSY	.....	7
0521044193	1.1/4 NC X 1810 FULL ROD	.....	8
0511031515	PACKED PARTS	.....	9
0501053834	MALE QUICK COUPLER WITH CAP - 1/2 NPT	.....	10
0501053835	FEMALE QUICK COUPLER	.....	11
0909096144	HYDRAULIC CIRCUIT	.....	12
0511058404	50,80 X 101,60 X 1155 X 410 HYDRAULIC CYLINDER	.....	13
0511054457	ASSY SAFETY VALVE	.....	14



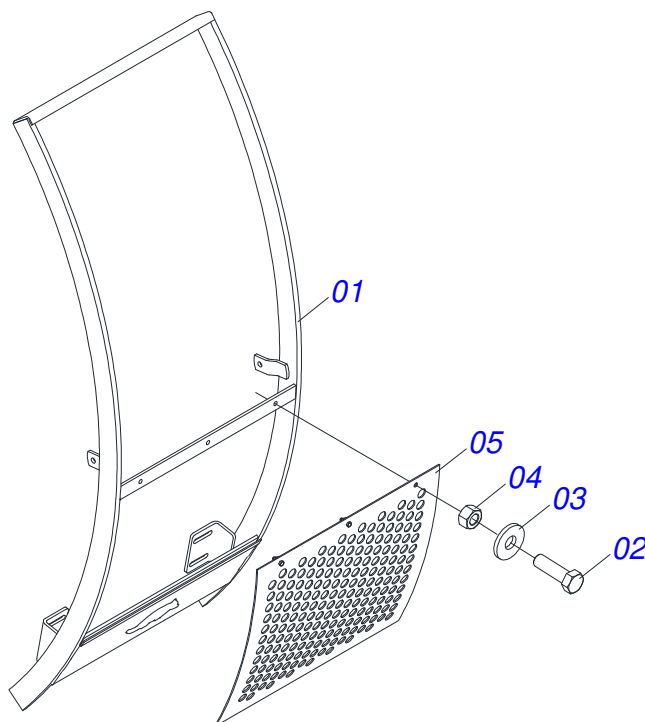
Item	Code	Description	See page	QT
01	0521044855	FRAME ASSEMBLY WITH REAR BAR	2	01
02	0521044202	ASSY MOBILE SUPPORT	3	01
03	0501049367	ASSY HIGH MOBILE SUPPORT GUIDE	4	01
04	0501047710	2600MM BLADE SUPPORT ASSY	5	01
05	0521021007	COMPONENT BOX	6	01



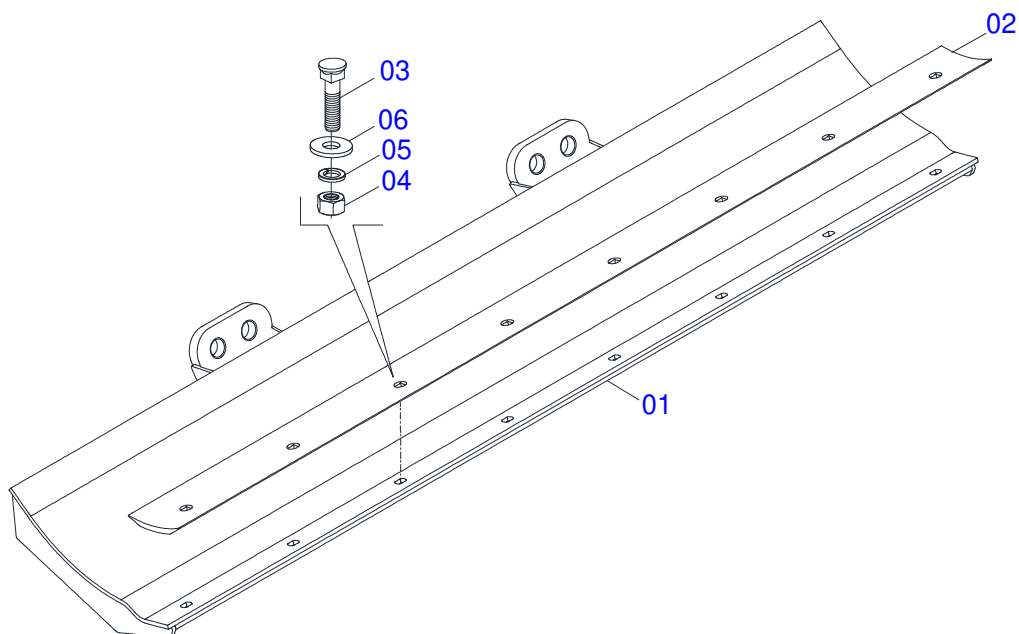
Item	Code	Description	See page	QT
01	0521065157	RIGHT FRAME		01
02	0521065158	LEFT FRAME		01
03	0521065072	REAR BAR		01
04	0521064903	BACK BAR		01
05	0503010797	3/4" X 4" BOLT		02
06	0503011084	3/4" X 5" BOLT		04
07	0501010322	FLAT WASHER		02
08	0503010023	3/4" SPRING WASHER		04
09	0503010014	3/4" NUT		06
10	0581015170	SLEEVE		04



Item	Code	Description	See page	QT
01	0501062637	5/8" REGULATOR SUPPORT		01
02	0521010618	1.4" X 8.6" COUPLING SHAFT		01
03	0521010612	1.4" X 3.5" COUPLING SHAFT		01
04	0503010010	1/4" X 2.1/2" COTTERPIN		02
05	0503062270	SET LABEL ADHESIVE		01
06	0503034003	SERIAL NUMBER TAG 61 X 118		01
07	0503010001	3.2 X 5.5 RIVET		04
08	0503031428	READ MANUAL DECAL		01
09	0503031827	LUBRICATE AND RETIGHTEN DAILY DECAL		01
10	0521064880	MOBILE SUPPORT		01
11	0503034078	LIFTING POINTS DECAL		03
12	0503031087	ADHESIVE LABEL		01

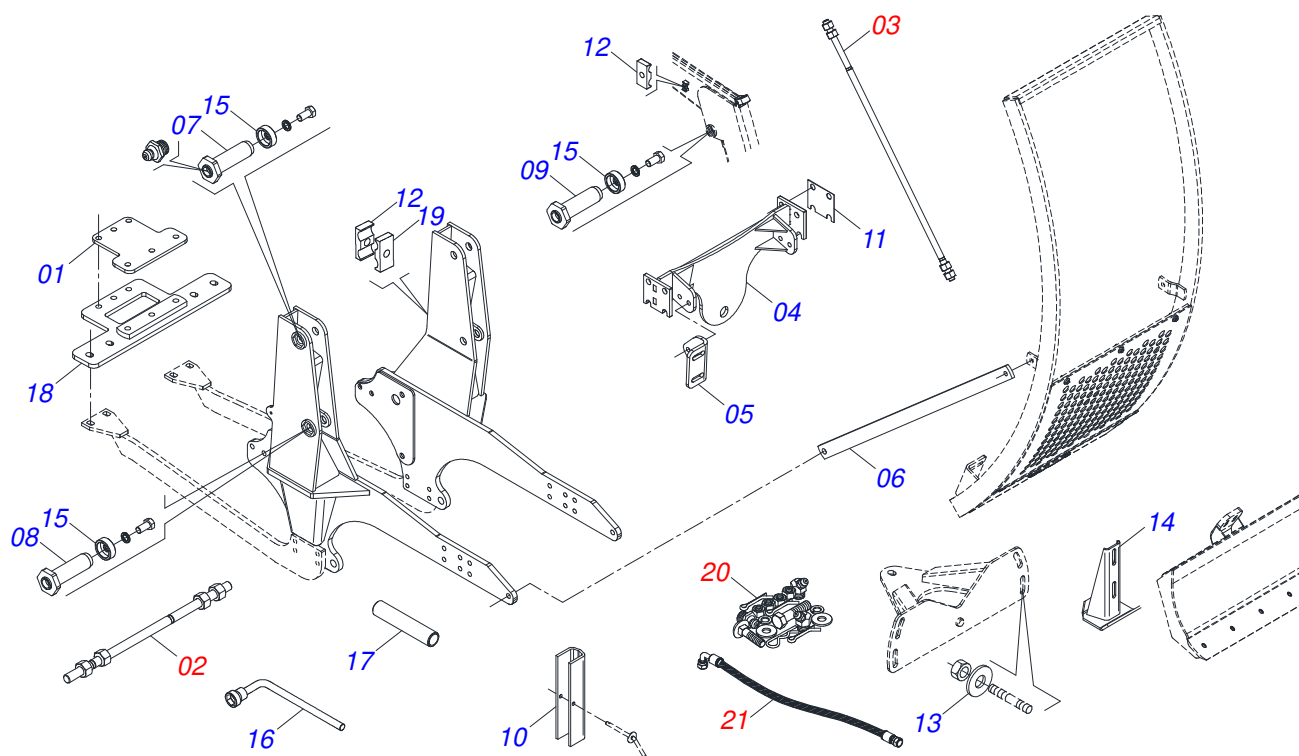


Item	Code	Description	See page	QT
01	0511061956	MOBILE SUPPORT GUIDE ASSY		01
02	0503010751	C3/8" X 1.1/4" HEX BOLT G.5		03
03	0501010984	FLAT WASHER		03
04	0503010026	3/8" NUT		03
05	0501014687	FRONT PROTECTION		01

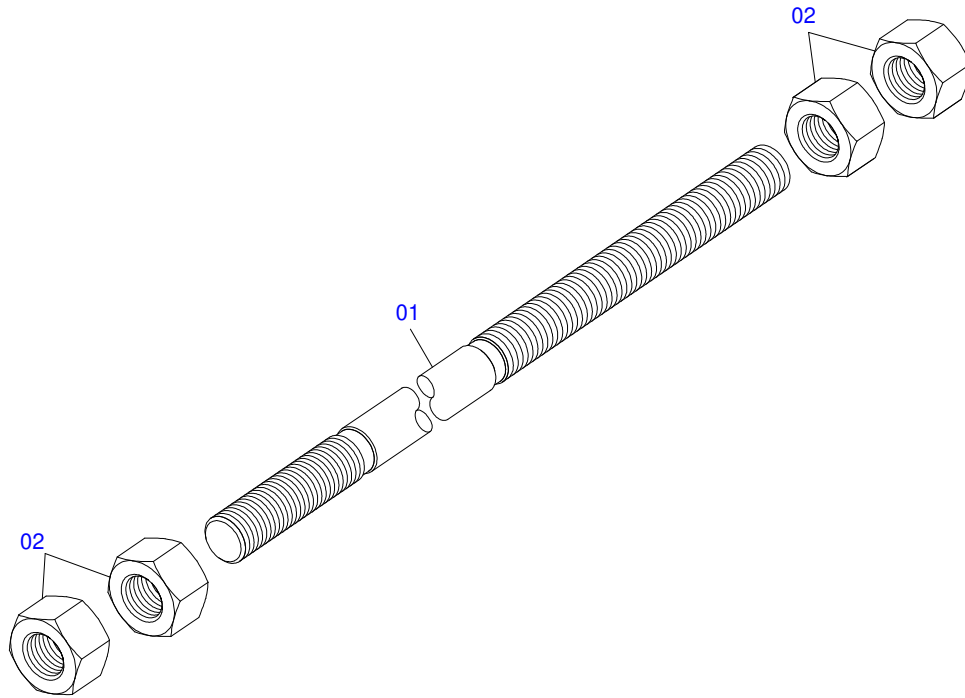


Item	Code	Description	See page	QT
01	0501068001	2590MM BLADE SUPPORT ASSY		01
02	0622360011	2600 SCRAPER REVERSIBLE		01
03	0501012240	BOLT		08
04	0503010013	5/8" NUT		08
05	0503010027	5/8" SPRING WASHER		08
06	0501010301	FLAT WASHER		08

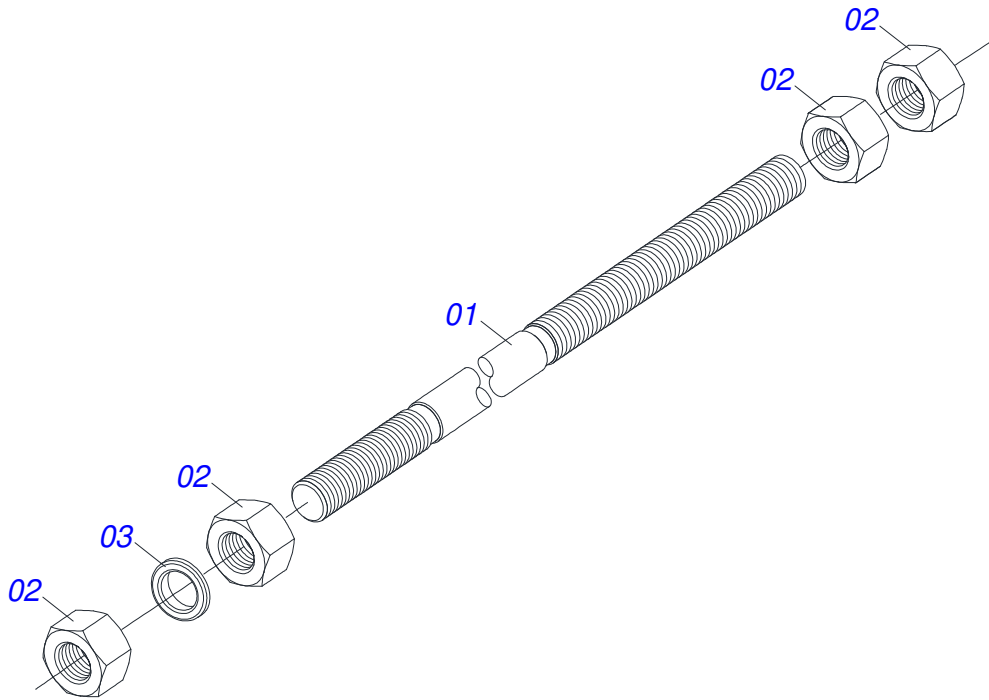




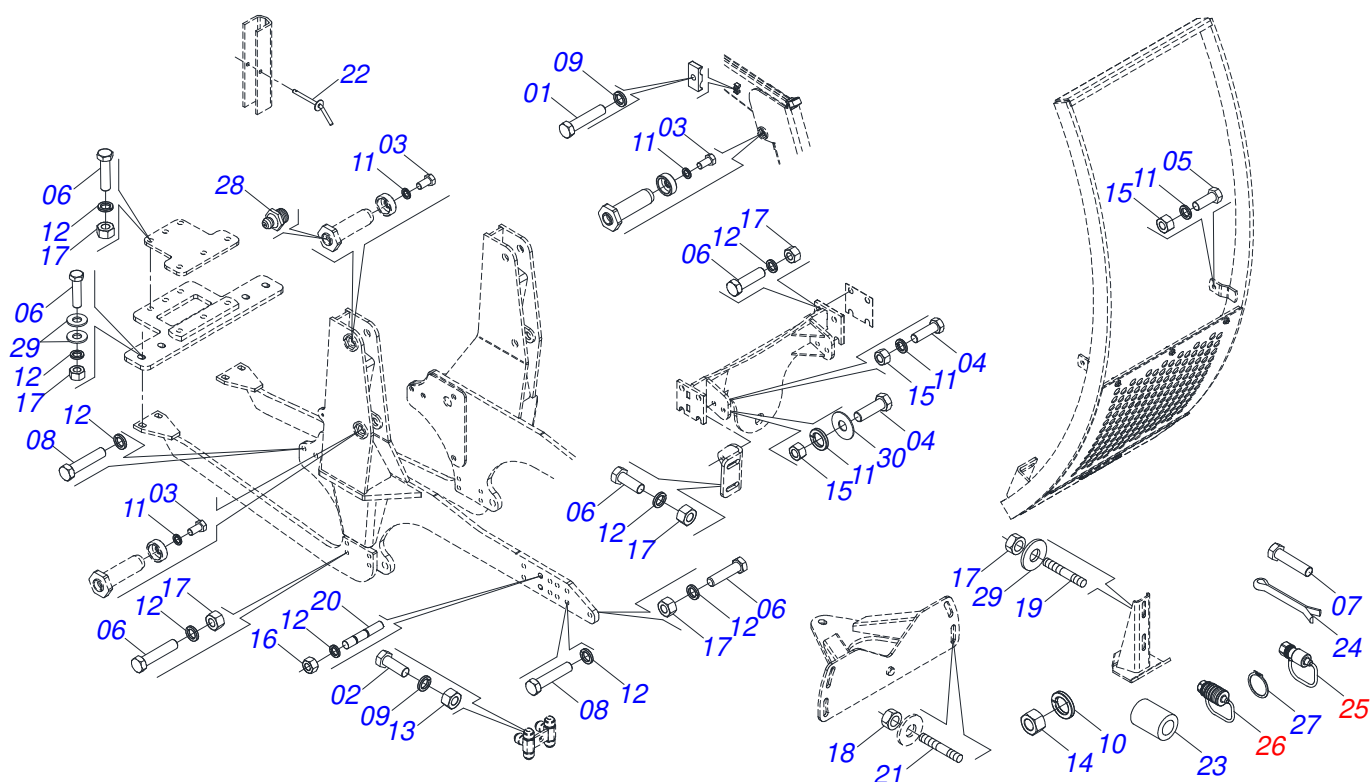
Item	Code	Description	See page	QT
01	0571016626	SUPPORT FIXER		01
02	0501041652	FULL 1.1/4" X 31.88" ROD ASSY	7	01
03	0521044193	1.1/4 NC X 1810 FULL ROD	8	02
04	0521065156	MOBILE SUPPORT FIXER		01
05	0571014003	FASTENING BRACKET OF THE HIGH GUIDE		02
06	0511013560	ATTACHMENT BAR		02
07	0521064889	37,20 X138 COUPLING SHAFT WITH GREASE FITTING		02
08	0521064888	AXIS JUNCTION 37,20X138		02
09	0521064887	AXIS JUNCTION 37,20X120		02
10	0551010280	253 TRANSPORT LOCK		02
11	0571017466	FIXING CHOCK		04
12	0502012702	BODY SUPPORT CLAMP		05
13	0501010574	FLAT WASHER		04
14	0501063411	ESTABILIZER BRACKET		02
15	0571016052	LOCKING WASHER OF THE JOINT SHAFT		06
16	0501061617	1" GANG BOLT WRENCH		01
17	0571017266	SLEEVE		02
18	0521065069	LOWER FIXING		01
19	0502012701	LOWER BODY CLIP		01
20	0511031515	PACKED PARTS	9	01
21	0909096144	HYDRAULIC CIRCUIT	12	01



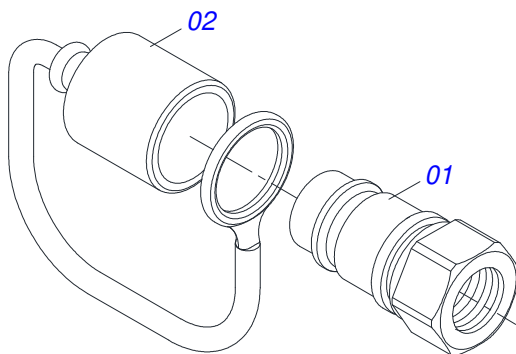
Item	Code	Description	See page	QT
01	0501014916	1.1/4" X 31.88" ROD		01
02	0501010087	1.1/4" NUT		04



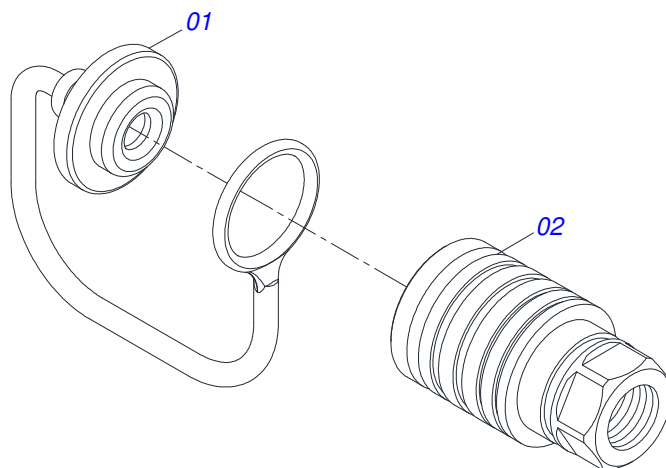
Item	Code	Description	See page	QT
01	0571016063	1.1/4X1810 ROD		01
02	0501010087	1.1/4" NUT		04
03	0502012180	CONICAL SPRING WASHER		02



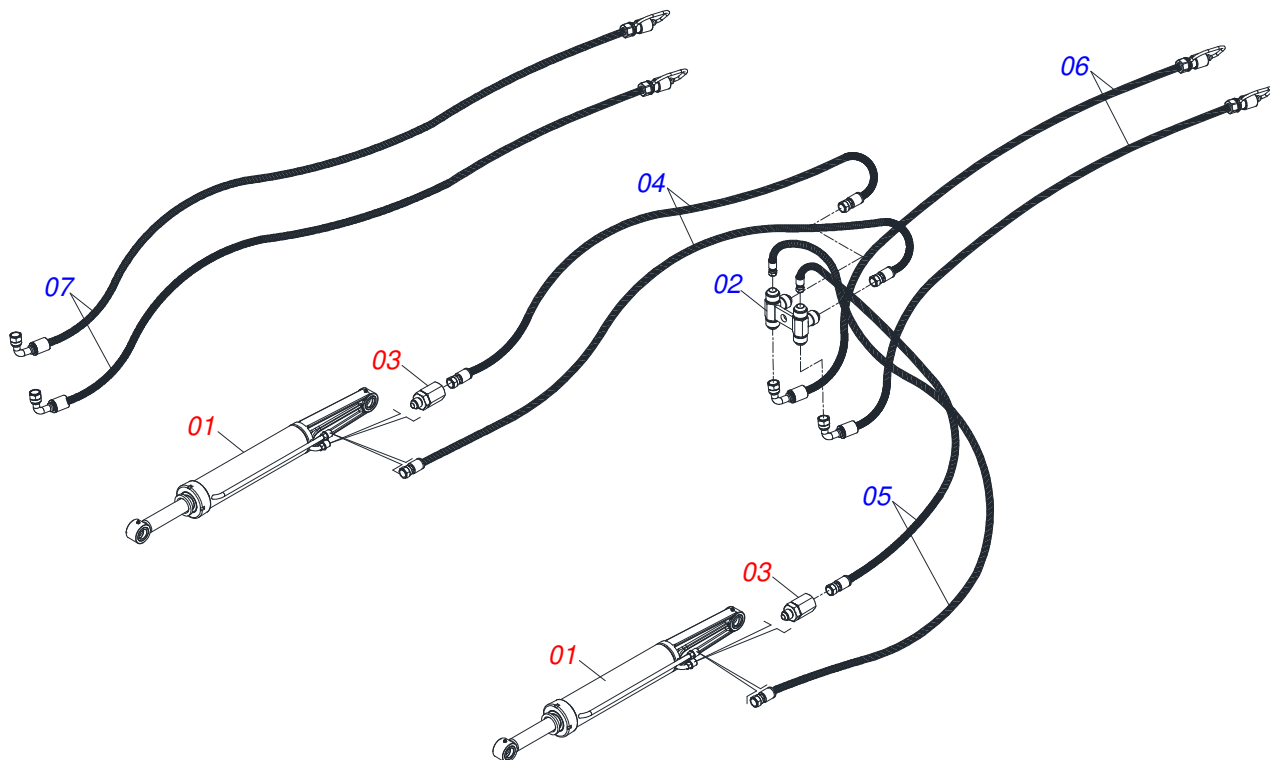
Item	Code	Description	See page	QT
01	0503011338	7/16" X 1" BOLT		04
02	0503010850	BOLT 7/16 UNC X 3 CS G.5 ZN		02
03	0503010962	5/8" X 1-1/4" BOLT		06
04	0501010100	SCREW 5/8 UNC X 2 CS G.5 ZN		06
05	0503010899	5/8" X 2-1/4" BOLT		04
06	0503013394	3/4" X 3" BOLT		20
07	0501010500	3/4"X3"BOLT		02
08	0503013103	M20 X 2,5 X 90 BOLT		04
09	0503010180	7/16" SPRING WASHER		06
10	0503010019	1/2" SPRING WASHER		01
11	0503010027	5/8" SPRING WASHER		16
12	0503010023	3/4" SPRING WASHER		36
13	0503010244	7/16" NUT		02
14	0503010060	1/2" NUT		01
15	0503010013	5/8" NUT		10
16	0503010335	3/4"NUT		16
17	0503010014	3/4" NUT		20
18	0501010059	1.5/8 NUT		04
19	0561016756	3/4 UNC X 3/4 UNC X 56 PRISONER		04
20	0511014160	3/4" X 4.52" STUD		12
21	0561016755	PRISONER 1 UNC X 1 UNC X 76 ZN		04
22	0501068994	0.3" X 3.1"LOCK PIN		02
23	0541019657	SLEEVE		02
24	0503010257	1/8" X 1" COTTERPIN		02
25	0501053834	MALE QUICK COUPLER WITH CAP - 1/2 NPT	10	04
26	0501053835	FEMALE QUICK COUPLER	11	02
27	0503010217	501040 CLAMPING RING (FOR AXLE)		04
28	0503010002	1800 GREASE FITTING		06
29	0501010322	FLAT WASHER		22
30	0501012140	FLAT WASHER		10



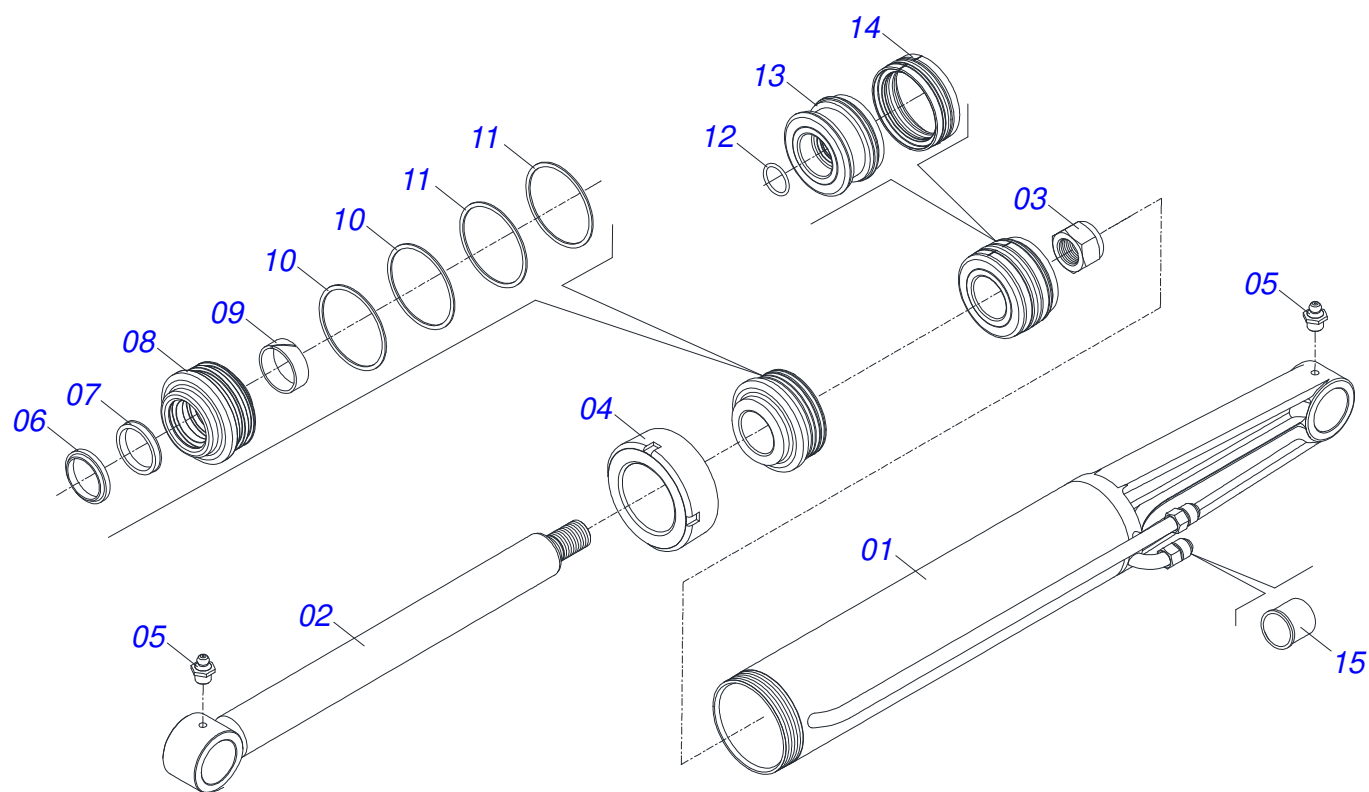
Item	Code	Description	See page	QT
01	0503011627	MALE QUICK COUPLER AGR 1/2 NPT		01
02	0503011882	MALE QUICK COUPLER CAP		01



Item	Code	Description	See page	QT
01	0503011883	QUICK CONNECTION COVER		01
02	0503011628	FEMALE QUICK COUPLER		01

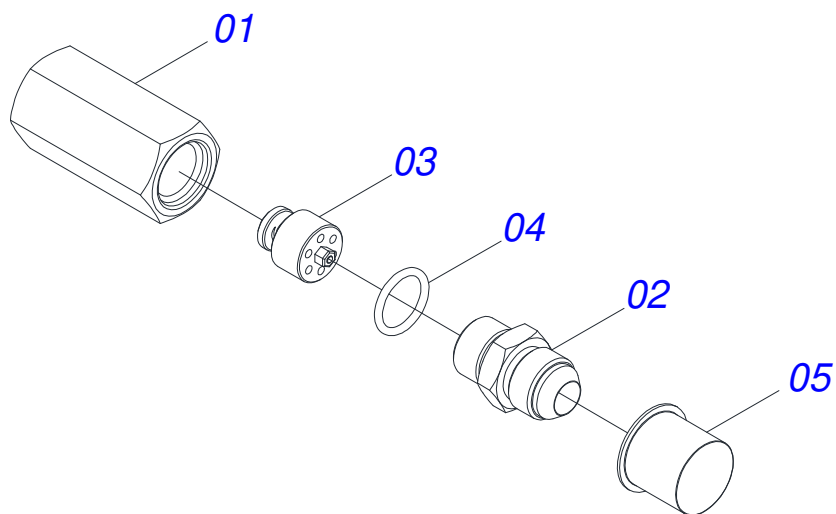


Item	Code	Description	See page	QT
01	0511058404	50,80 X 101,60 X 1155 X 410 HYDRAULIC CYLINDER	13	02
02	0521064869	7/8UNF JIC OIL DISTRIBUTOR		02
03	0511054457	ASSY SAFETY VALVE	14	02
04	0501080336	1/2" X 2450 TR-TR HOSE		02
05	0501080109	1/2" X 800 TR-TR HOSE		02
06	0501081072	HOSE		02
07	0501082124	1/2" X 6700 TR-TR HOSE		02



Item	Code	Description	See page	QT
01	0521064879	101,6 X 528 HYDRAULIC CYLINDER BODY		01
02	0521064878	50,80 X 776,50 EXTENDER		01
03	0503010817	1.1/4" SELF LOCKING NUT		01
04	0502012822	101.60 END CAP		01
05	0503010002	1800 GREASE FITTING		02
06	0503015636	SCRAPER SEAL		01
07	0503018026	1870-2000-375 B GASKET		01
08	0581010678	50,80 X 101 RING SUPPORT		01
09	0503018025	RING GUIDE		01
10	0503011061	8-342 BACK-UP RING		02
11	0503010338	2-342 N 3006-9B O'RING		02
12	0503010345	2-218 N 3006-9B O'RING		01
13	0502012842	50,80 X 101,60 PISTON		01
14	0503015633	SELEMASTER SEALING		01
15	0503030387	PLUG		02





Item	Code	Description	See page	QT
01	0581014053	1/2 BSP X 7/8 UNF JIC X 64 ADAPTER		01
02	0581014052	1/2 BSP X 7/8 UNF JIC X 43 NIPLE		01
03	0503016854	VALVE ASSY		01
04	0503010045	O'RING		01
05	0503030387	PLUG		01





**MARCHESAN**

**Technical Publications | Elaboration and Revision**

MARINA PEREZ NIZA

[www.marchesan.com.br](http://www.marchesan.com.br)

