

PCA - AGRICULTURAL FRONT LOADER

PCA 1100 MF 4297/4299-4 SHT CD

Code: 0501092981
Series: S-0710
Revision: 00
Date Revision: JULHO/2021

PARTS CATALOGUE



MARCHESAN



PRODUCTS

Code	Description
0106111174	PCA 1100 MF 4297/4299-4 SHT CD

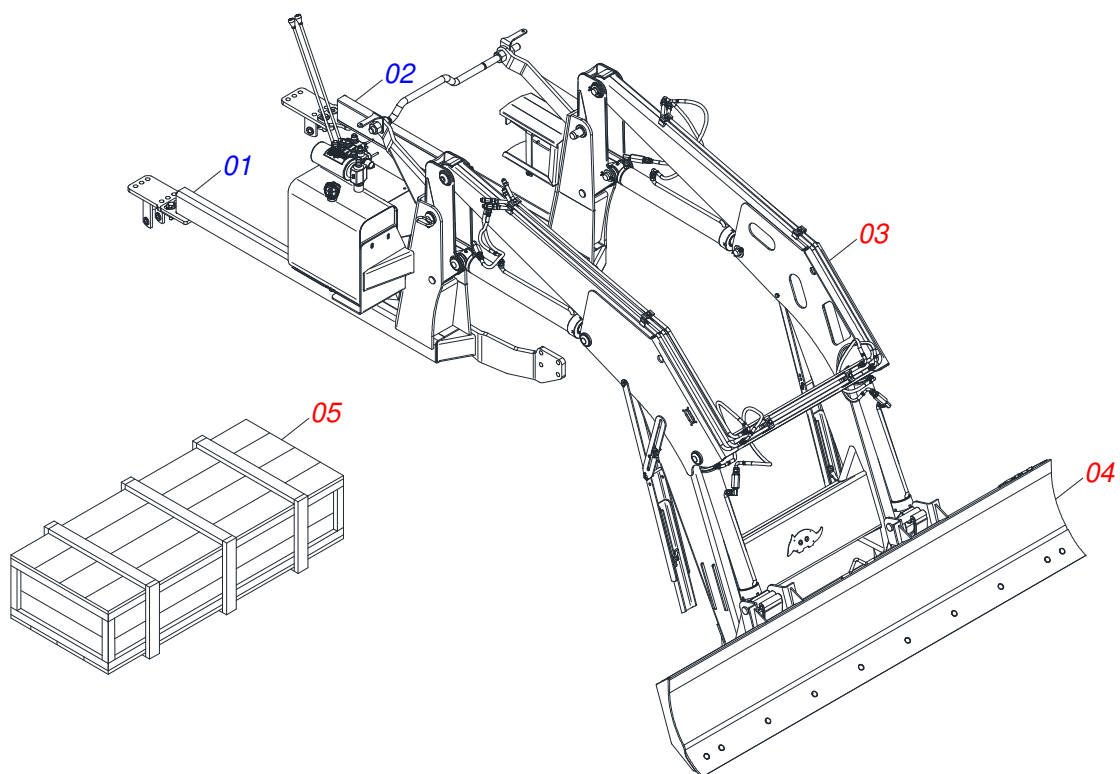
ATTENTION: IMPORTANT

Marchesan S.A. reserves the right to improve and / or modify the technical features of its products, without obligation to do the same with those products already sold and without prior knowledge of the dealer or the consumer.

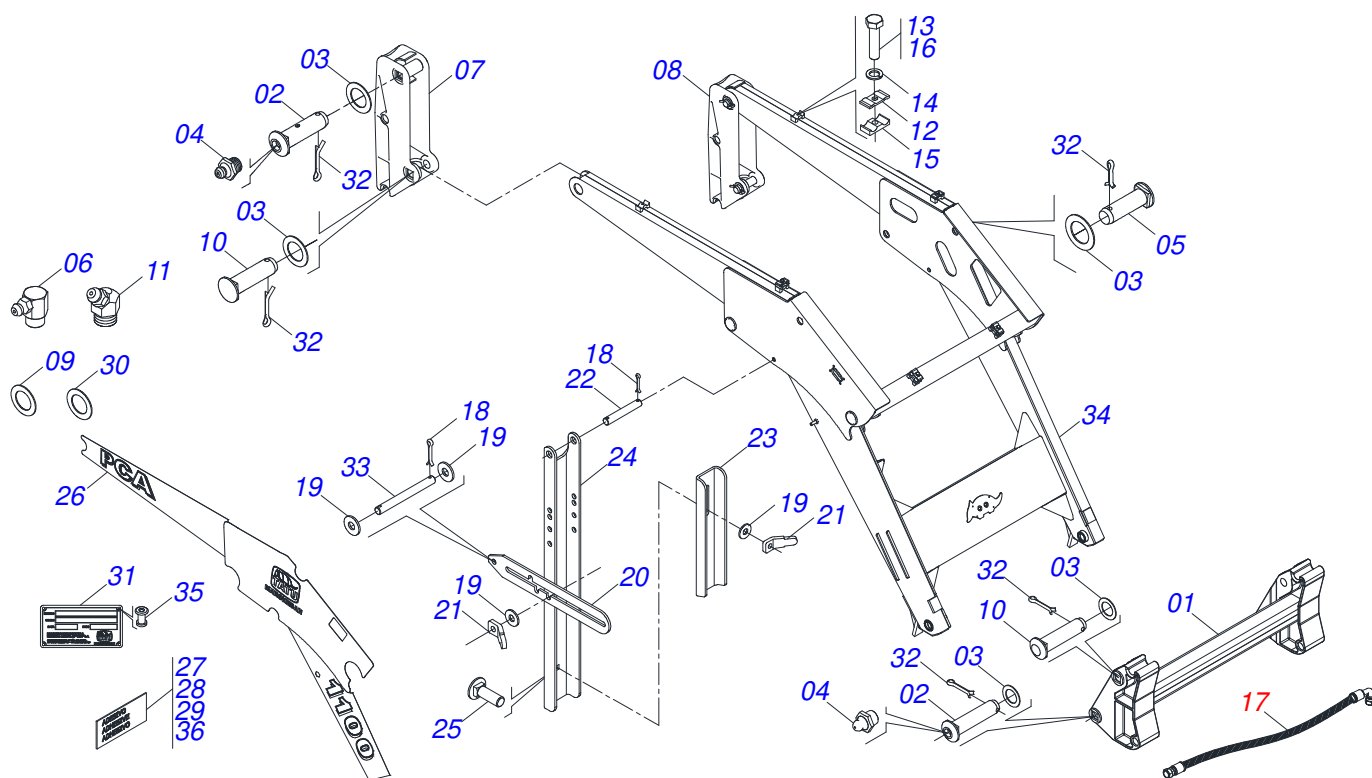


INDEX

0106111174	PCA 1100 MF 4297/4299-4 SHT CD	1
0511043239	MOBILE SUPPORT ASSY	2
0909095912	HIDRAULIC SYSTEM OF THE MOBILLE SUPPORT	3
0511057974	44,45 X 85,72 X 870 X 593 HYDRAULIC CYLINDER	4
0511057973	HIDRAULIC CYLINDER 44,45 X 76,20 X 820 X 551	5
0511057772	SECURITY VALVE ASSY	6
0511045185	2600MM DOZER BLADE ASSY	7
0511025340	COMPONENTS BOX	8
0521046369	1.1/4 NC X 1000 ROD	9
0521046657	BATTERY SUPPORT	10
0909095913	SYSTEM HYDRAULIC SHT	11
0501047575	OIL RESERVOIR ASSY	12
0501041108	RETURNING FILTER ASSY	13
0501059935	PUMP WITH SUCTION AND PRESSURE DUCTS	14
0501048023	CONTROL VALVE	15
0501038033	PACKED PARTS	16
0501053834	MALE QUICK COUPLER WITH CAP - 1/2 NPT	17
0501053835	FEMALE QUICK COUPLER	18



Item	Code	Description	See page	QT
01	0521061690	RIGHT FRAME		01
02	0521061691	LEFT FRAME		01
03	0511043239	MOBILE SUPPORT ASSY	2	01
04	0511045185	2600MM DOZER BLADE ASSY	7	01
05	0511025340	COMPONENTS BOX	8	01



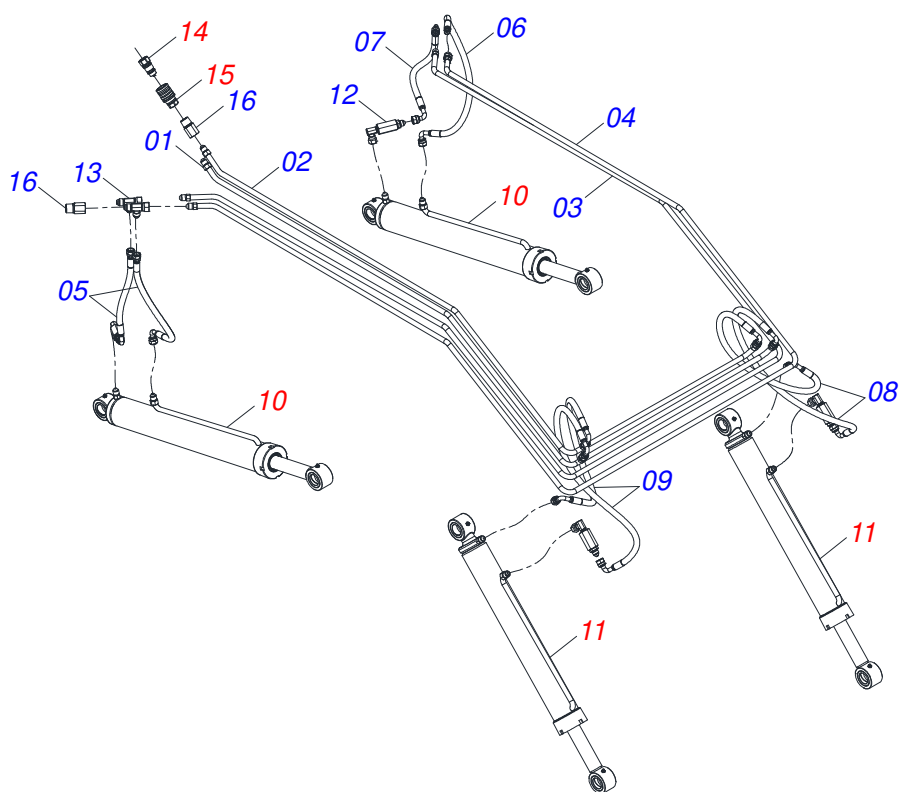
Item	Code	Description	See page	QT
01	0501069939	PIVOT SUPPORT		01
02	0521012870	1.46" X 6.18" PIVOT SHAFT		02
03	0511019685	FLAT WASHER		10
04	0503010002	1800 GREASE FITTING		04
05	0521012868	1.4" X 5" PIVOT SHAFT		02
06	0503010004	1890 GREASE FITTING		02
07	0502012472	MOBILE TOWER		01
08	0502012473	LEFT MOBILE TOWER		01
09	0501016170	FLAT WASHER		02
10	0521012869	COUPLING SHAFT		02
11	0503010003	1845 GREASE FITTING		02
12	0531011180	UPPER BODY CLIP		06
13	0503011102	BOLT 7/16 UNC X 1.1/4 C S G.5 ZN		02
14	0503010180	7/16" SPRING WASHER		06
15	0502010477	HOSE CLAMP		04
16	0503012555	SCREW 7/16 UNC X 2 CS RT G.7 ZN		04
17	0909095912	HIDRAULIC SYSTEM OF THE MOBILLE SUPPORT	3	01
18	0503010071	3/16" X 1" COTTERPIN		04
19	0511017302	FLAT WASHER		08
20	0511019634	CONTROL LOCK		02
21	0561016329	LATCH HOLDER REST PCA		04
22	0511013598	3/4" X 4.7" COUPLING SHAFT		02
23	0561016619	COMPLEMENTON REST		02
24	0561016401	PLOUGH SUPPORT BODY		02
25	0503014378	1/2" X 1-1/2" BOLT		02
26	0503062217	SET LABEL ADHESIVE		01
27	0503031087	ADHESIVE LABEL		01
28	0503031428	READ MANUAL DECAL		01
29	0503031827	LUBRICATE AND RETIGHTEN DAILY DECAL		01
30	0501012916	FLAT WASHER 38,50 X 66 X 4,75 ZN		02
31	0503034003	SERIAL NUMBER TAG 61 X 118		01



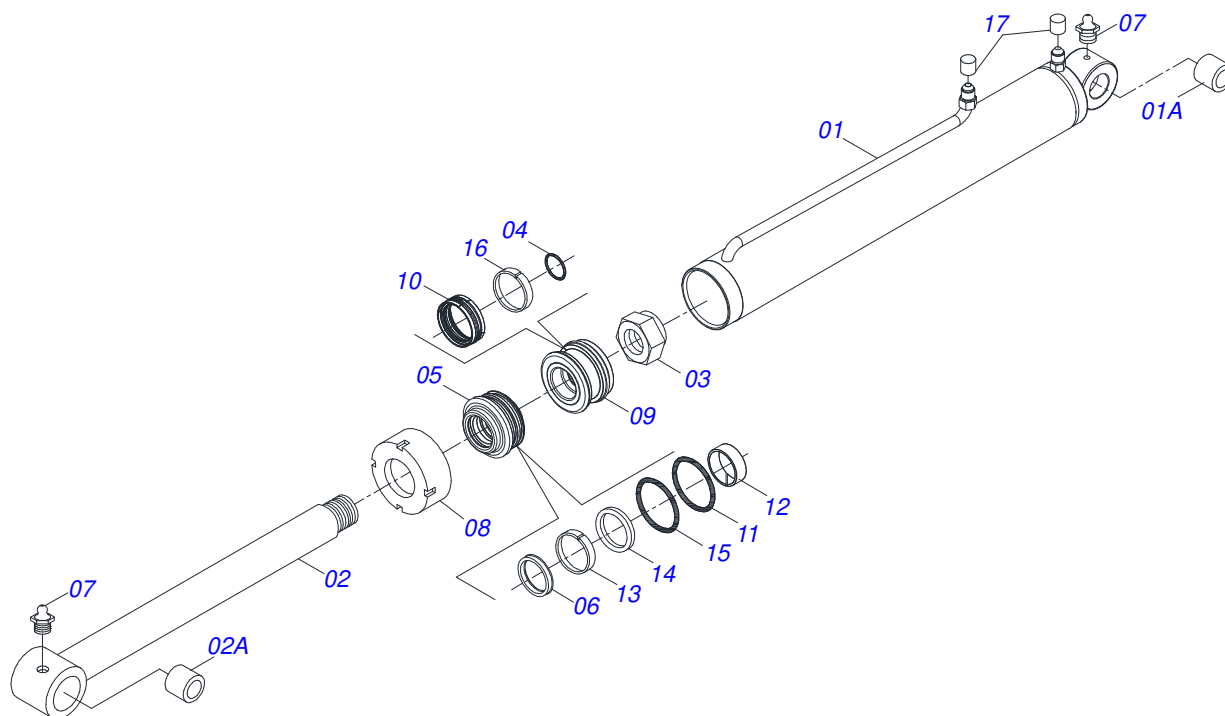
MOBILE SUPPORT ASSY

0511043239

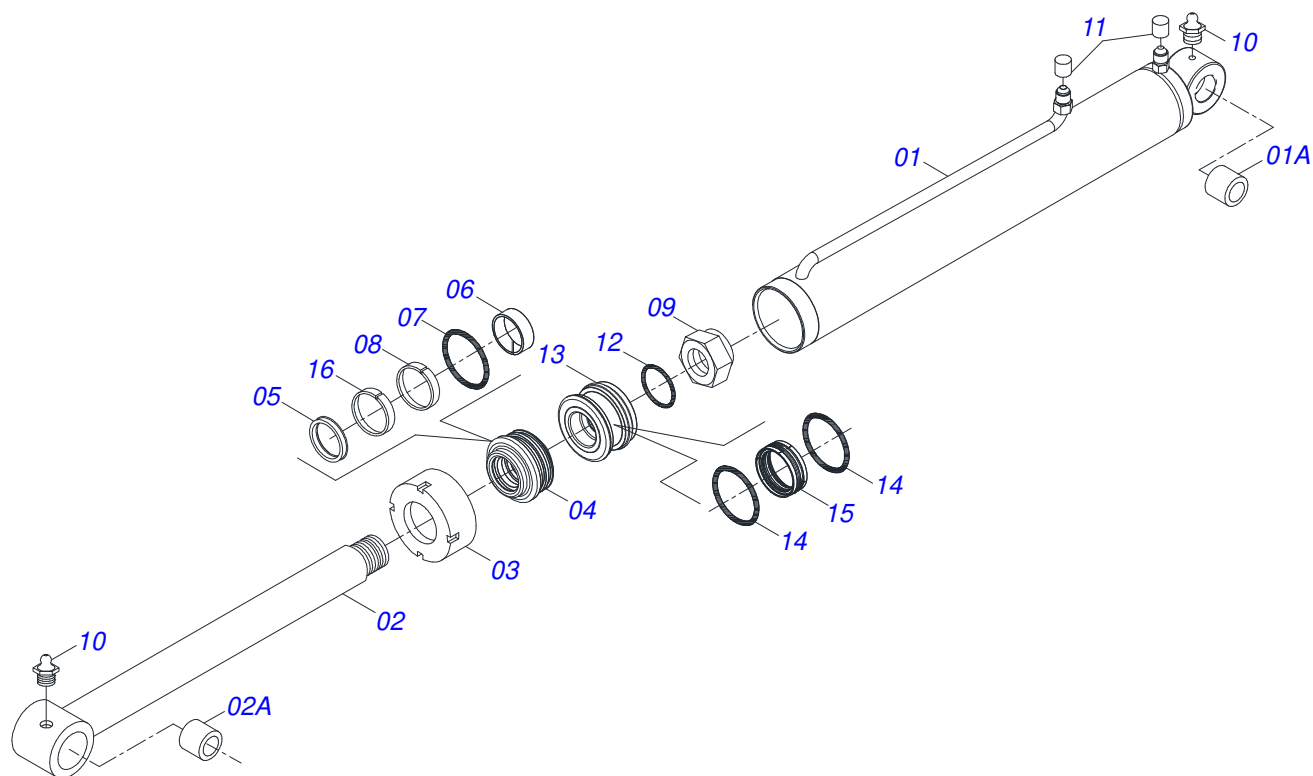
Item	Code	Description	See page	QT
32	0503010534	3/8 X 2-1/2 COTTERPIN		12
33	0521012823	COUPLING SHAFT		02
34	0511066050	MOBILE SUPPORT		01
35	0503010001	3.2 X 5.5 RIVET		04
36	0503034078	LIFTING POINTS DECAL		03



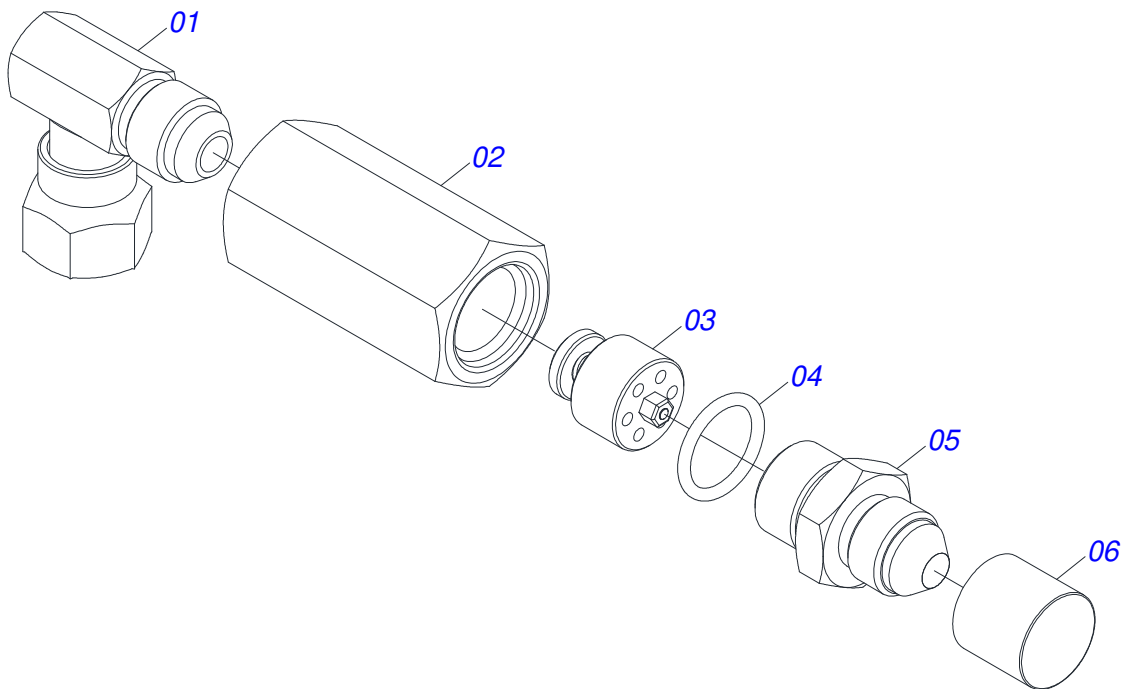
Item	Code	Description	See page	QT
01	0501069857	RIGHT RIGHT OIL TUBE		01
02	0501069858	LH RIGHT OIL TUBE		01
03	0521061821	OUTER DISTRIBUTOR TUBE OIL		01
04	0521061820	INNER DISTRIBUTOR TUBE OIL		01
05	0501080150	HOSE ASSY		02
06	0501080766	3/8" X 27.56" TC-TC HOSE		01
07	0501080105	TR-TR HOSE ASSY		01
08	0501080688	3/8" X 25" TC-TC 90G HOSE		02
09	0501080777	LH 3/8" X 25.9" TC-TC HOSE		02
10	0511057974	44,45 X 85,72 X 870 X 593 HYDRAULIC CYLINDER	4	02
11	0511057973	HIDRAULIC CYLINDER 44,45 X 76,20 X 820 X 551	5	02
12	0511057772	SECURITY VALVE ASSY	6	04
13	0503011968	3/4" 8R6X-S T ADAPTER WITH SWIVEL NUT		02
14	0501053834	MALE QUICK COUPLER WITH CAP - 1/2 NPT	17	02
15	0501053835	FEMALE QUICK COUPLER	18	02
16	0511019876	1/2" NIPPLE		04



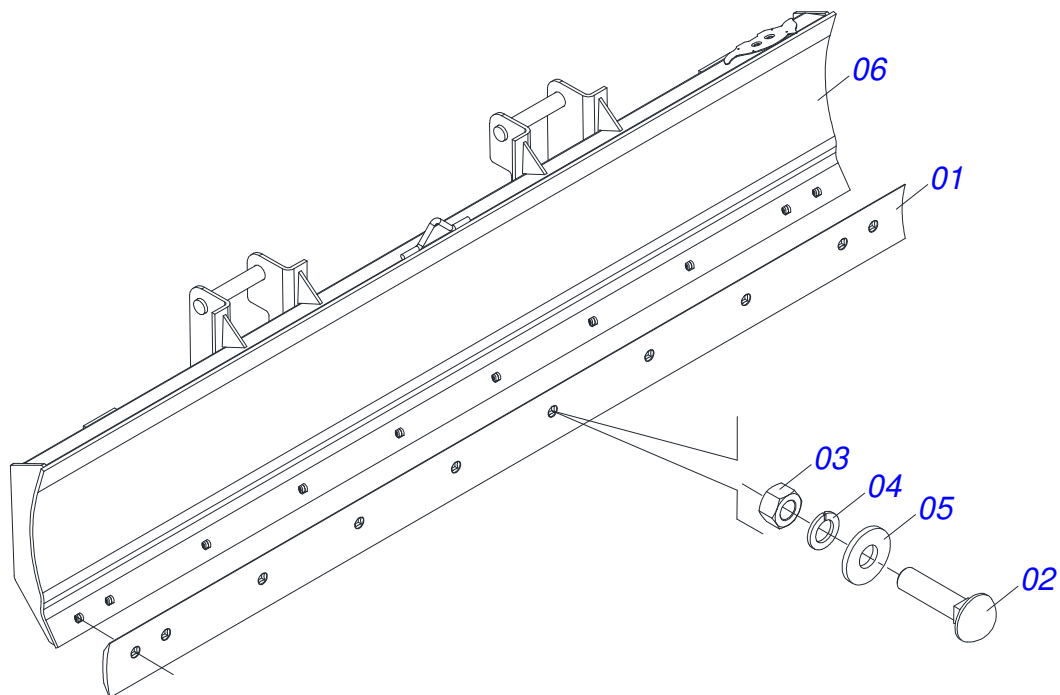
Item	Code	Description	See page	QT
01	0511069198	BODY SHIRT WITH MAKING		01
01A	0521010514	38,1 X 52,9 X 50 SLEEVE INTER		02
02	0521066404	44,45 X 772 TURNBUCKLE		01
03	0503010063	1" SELF-ALIGNING NUT		01
04	0503010042	2-214 N 3006-9B O'RING		01
05	0571019711	RING SUPPORT		01
06	0503010761	D-1750 SCRAPER RING		01
07	0503010002	1800 GREASE FITTING		02
08	0571019709	DETACHABLE COVER		01
09	0571019710	1.7" X 3.4" PISTON		01
10	0503017935	RING		01
11	0503017936	RING		01
12	0503017938	RING GUIDE		01
13	0503017937	GASKET		01
14	0503017940	8-337 BACK-UP RING		02
15	0503017939	2-337 N 3006-9B O' RING		02
16	0503018144	RING		01
17	0503030385	CYLINDER PLUG N-002		02
18	0511032784	HYDRAULIC CYLINDER REPAIR KIT		01



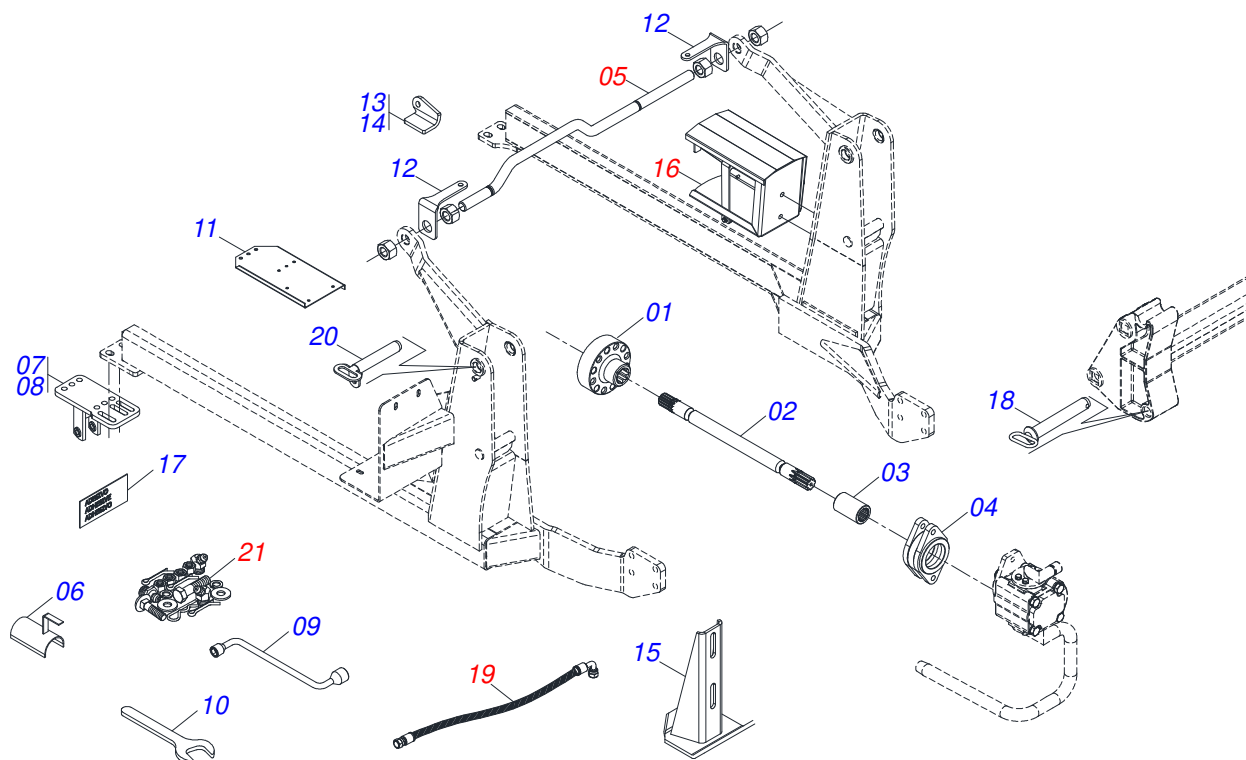
Item	Code	Description	See page	QT
01	0521066381	CYLINDER CASE 76,20 X 723		01
01A	0501110275	BUSHING COUPLING 75 X 38,1 X 50		02
02	0511065578	1.7" X 28.18" TURNBUCLE		01
03	0502012264	RING SUPPORT 1.75" X 3"		01
04	0503010761	D-1750 SCRAPER RING		01
05	0503010949	W2-2000-500 PK RING G.E		01
06	0503010343	2-334 N 3006-9B O'RING		01
07	0503011059	8-334 BACK-UP RING		01
08	0503010063	1" SELF-ALIGNING NUT		01
09	0503010002	1800 GREASE FITTING		02
10	0503030385	CYLINDER PLUG N-002		02
11	0503010042	2-214 N 3006-9B O'RING		01
12	0581010304	PISTON		01
13	0503018138	RING BS		02
14	0503018140	RING GUIDE		01
15	0503017937	GASKET		01
16	0502011899	MOBILE COVER		01
17	0511032725	HYDRAULIC CYLINDER REPAIR KIT		



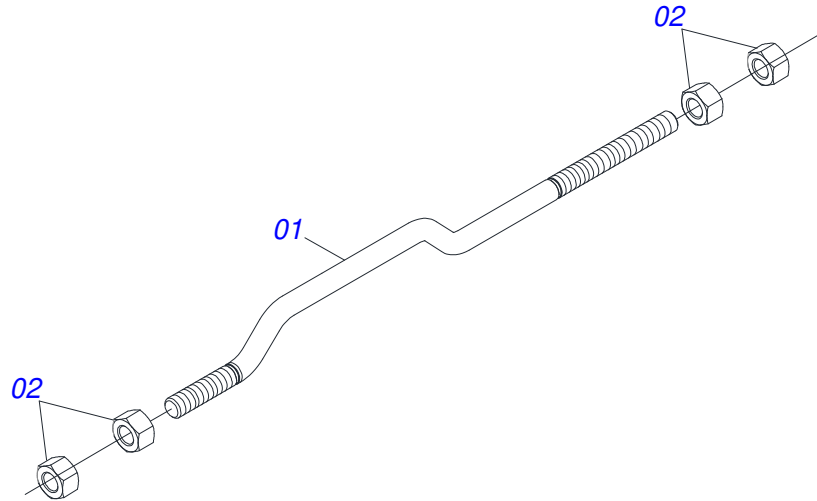
Item	Code	Description	See page	QT
01	0503018034	MALE KNEE JIC		01
02	0581014055	ADAPTER		01
03	0503016854	VALVE ASSY		01
04	0503010045	O'RING		01
05	0581014054	BSP 1/2" NIPPLE		01
06	0503030385	CYLINDER PLUG N-002		01



Item	Code	Description	See page	QT
001	0622360011	2600 SCRAPER REVERSIBLE		01
002	0501012240	BOLT		08
003	0503010013	5/8" NUT		08
004	0503011445	SPRING WASHER		08
005	0501012140	FLAT WASHER		08
006	0511067600	DOZER BLADE		01

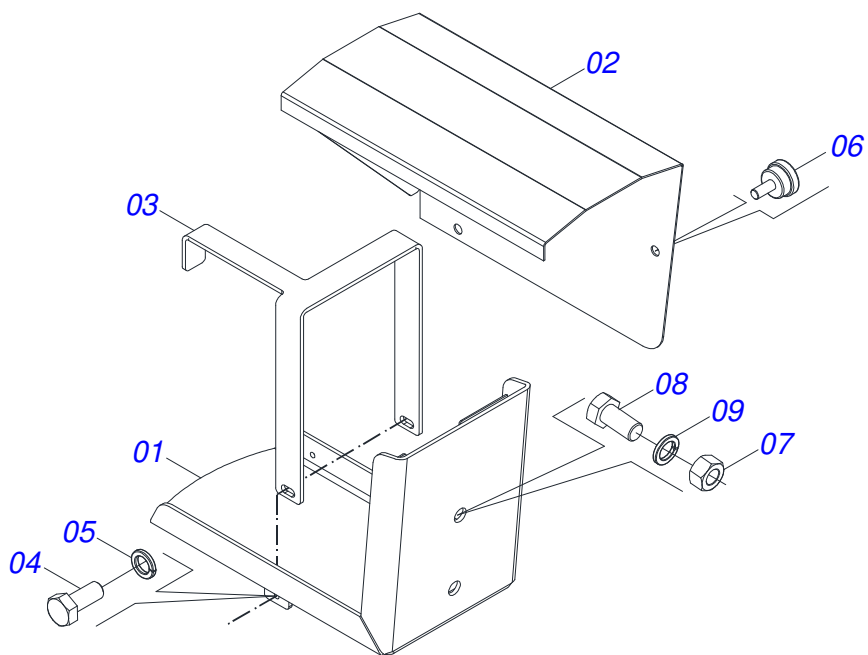


Item	Code	Description	See page	QT
01	0501067327	COUPLING FLANGE		01
02	0501068932	STRIATED AXLE		01
03	0503030838	1-1/8" X 2.4" SLEEVE		01
04	0521061658	PUMP SUPPORT		01
05	0521046369	1.1/4 NC X 1000 ROD	9	01
06	0511064563	HOSE PROTECTION		01
07	0511069461	RIGHT FRAME BRACKET - MF 283-4		01
08	0511069462	LEFT FRAME MOUNTING BRACKET		01
09	0501068213	5/8" WRENCH DOUBLE		01
10	0511010153	2-5/16" FIXED WRENCH		01
11	0561016462	COMMAND SUPPORT		01
12	0561010051	HEADLIGHT SUPPORT		02
13	0561016541	RIGHT SCOUT		01
14	0561016542	LEFT SCOUT		01
15	0501063411	ESTABILIZER BRACKET		02
16	0521046657	BATTERY SUPPORT	10	01
17	0503030770	ADHESIVE LABEL		01
18	0521066515	37,20 X 240 ARTICULATION SHAFT WITH HANDLE		02
19	0909095913	SYSTEM HYDRAULIC SHT	11	01
20	0521061681	SUPPORT FIXER AXLE		02
21	0501038033	PACKED PARTS	16	01

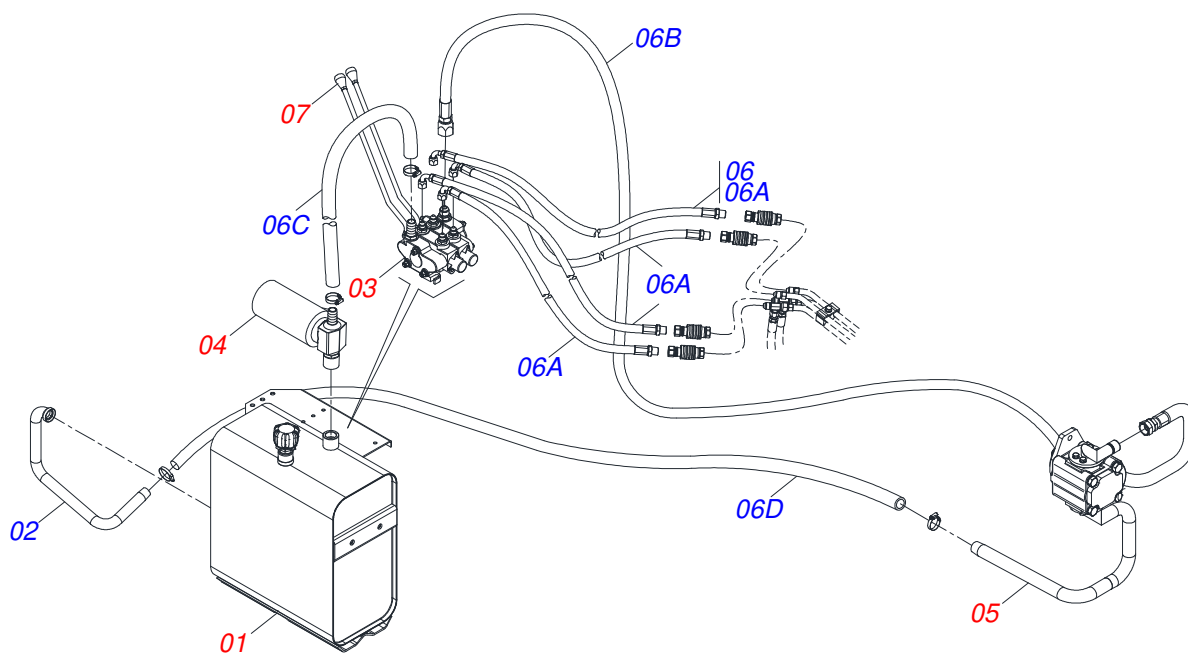


Item	Code	Description	See page	QT
001	0581011689	1.1/4" X 1000 ROD		01
002	0501010087	1.1/4" NUT		04

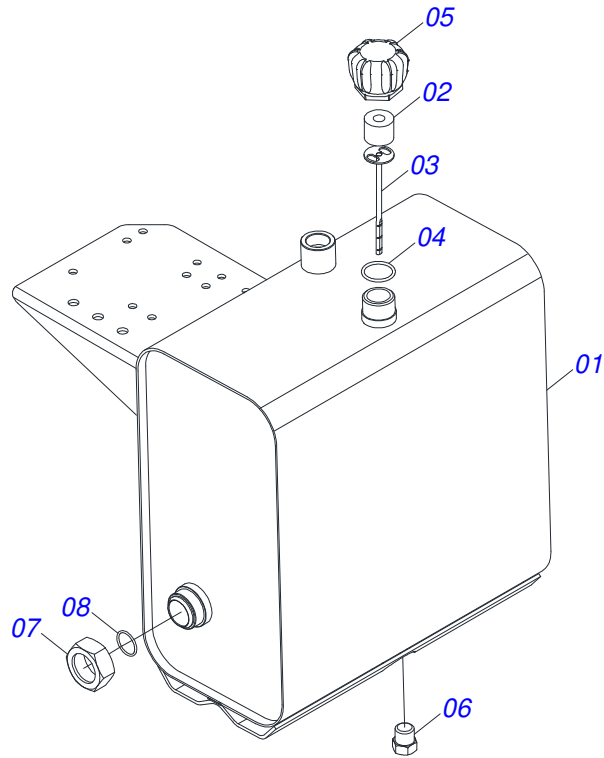
BATTERY SUPPORT



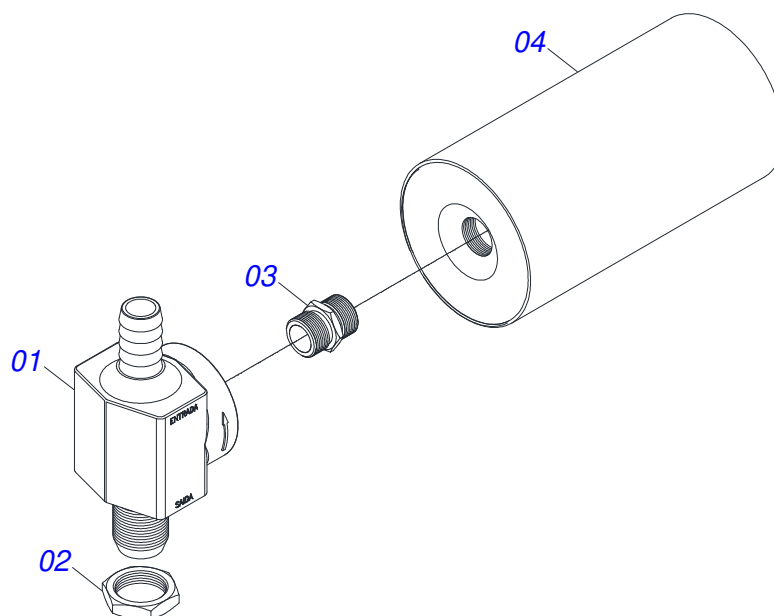
Item	Code	Description	See page	QT
001	0521061679	BATTERY SUPPORT		01
002	0521061665	BATTERY COVER		01
003	0581011688	BATTERY FIXER SUPPORT		01
004	0503016506	5/16 UNC X 3/4 C S G.5 ZN BOLT		02
005	0503010179	5/16" ZN SPRING WASHER		02
006	0503010386	CABLE		02
007	0503010013	5/8" NUT		02
008	0503010962	5/8" X 1-1/4" BOLT		02
009	0503010027	5/8" SPRING WASHER		02



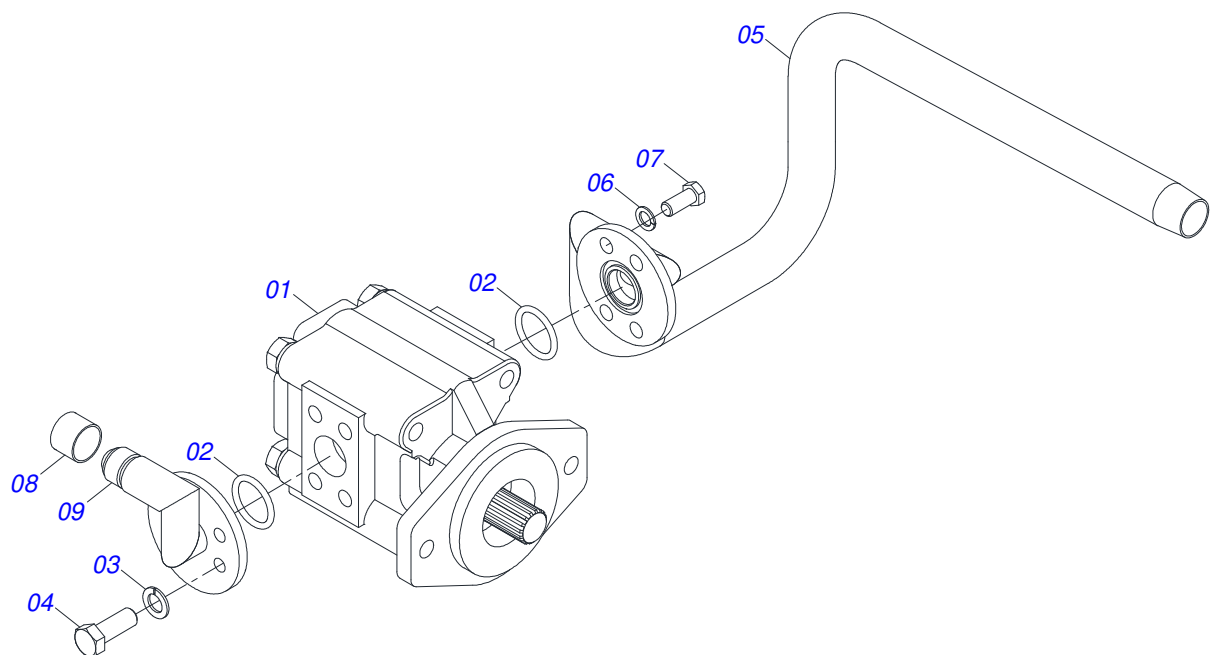
Item	Code	Description	See page	QT
01	0501047575	OIL RESERVOIR ASSY	12	01
02	0521061677	TANK SUCTION DUCT - PCA/PD		01
03	0501059952	DOBLE COMMAND 1/2 HIDROV/DANFOSS ASSY		01
04	0501041108	RETURNING FILTER ASSY	13	01
05	0501059935	PUMP WITH SUCTION AND PRESSURE DUCTS	14	01
06	0511059113	HOSE KIT		01
06A	0501080796	1/2" X 1400 TC-TM HOSE		04
06B	0501081077	3/4" X 3100 TC-TC HOSE ASSY		01
06C	0501010610	1 X 800 AB-AB HOSE		01
06D	0551012897	1.1/4 X 1500 AB-AB HOSE		01
07	0501048023	CONTROL VALVE	15	02



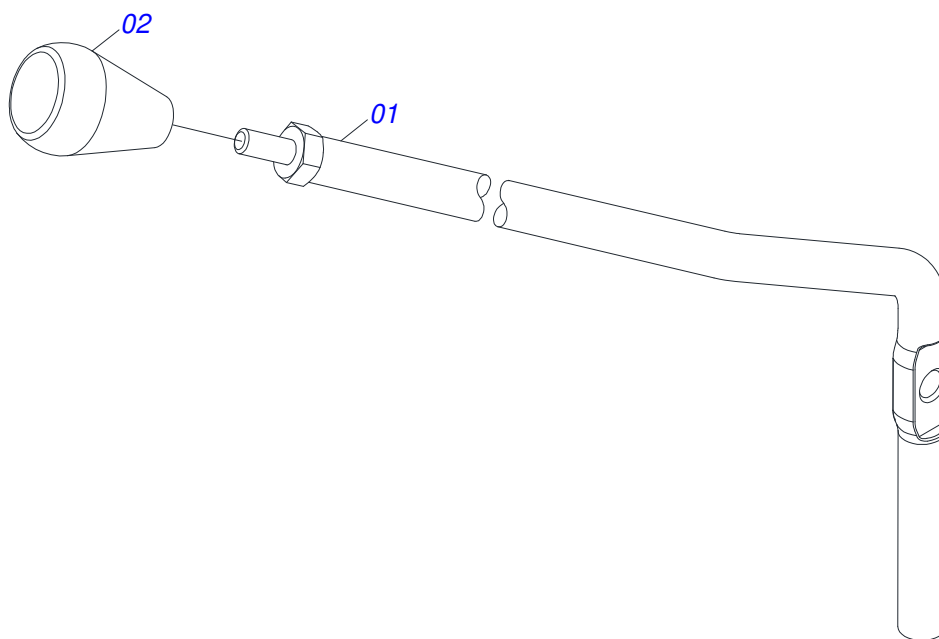
Item	Code	Description	See page	QT
01	0501068685	OIL RESERVOIR		01
02	0503030044	FILTERING ELEMENT		01
03	0501060975	OIL GAGE		01
04	0503010185	2-221 N 3006-9B O'RING		01
05	0502020472	FRONTAL COVER		01
06	0503031604	1/2" BSP PLUG		01
07	0501016309	2" 1X 2.5/16" NUT		01
08	0503010046	2-216 N 3006-9B O'RING		01



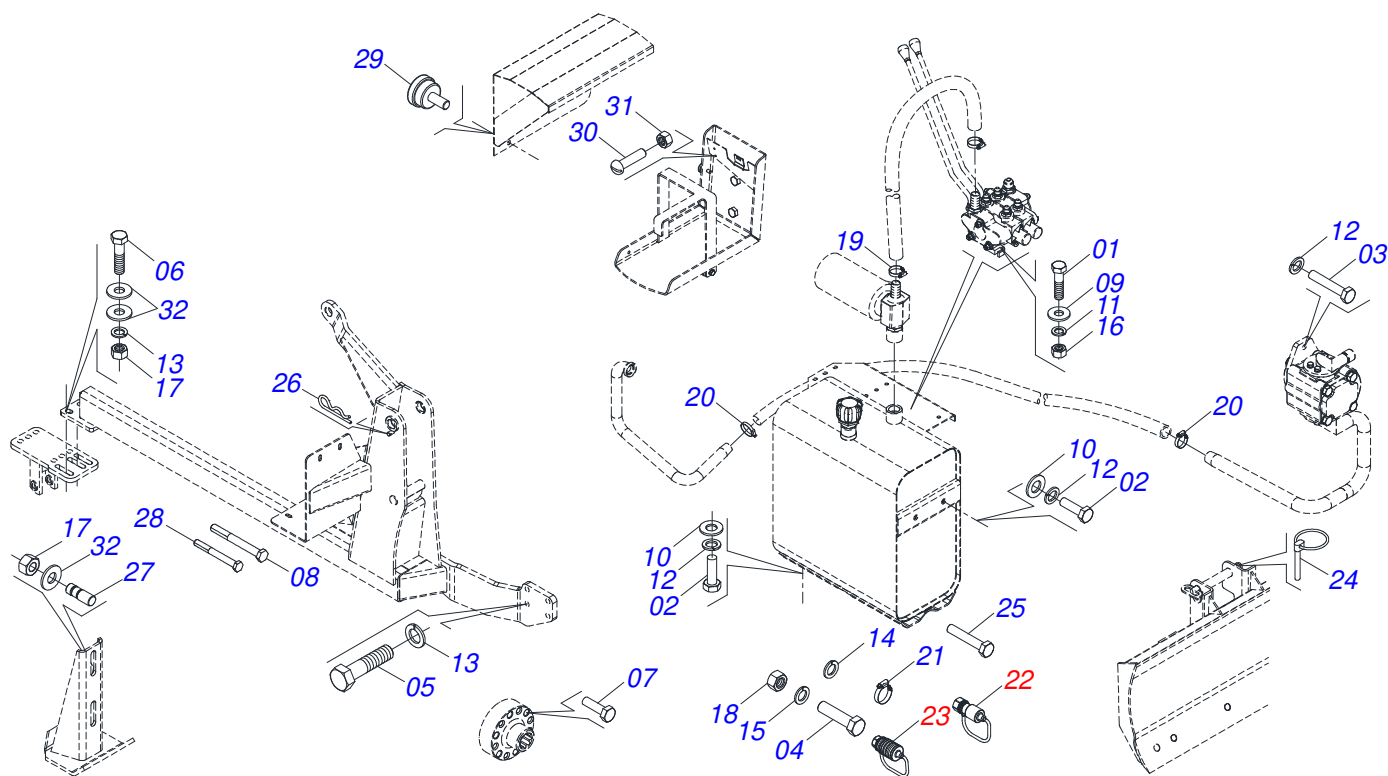
Item	Code	Description	See page	QT
01	0502050002	RETURNING FILTER HEAD		01
02	0501010594	1" NUT		01
03	0501010595	1" NF NIPPLE		01
04	0503010183	RETURNING FILTER		01



Item	Code	Description	See page	QT
01	0503061770	PUMP WITH TUBE		01
02	0503010173	2-220 N 3006-9B O'RING		02
03	0503010025	3/8" SPRING WASHER		04
04	0503011087	3/8" X 1" BOLT		04
05	0521061552	PUMP SUCTION DUCT - MF 4292/4283-4		01
06	0503010180	7/16" SPRING WASHER		04
07	0503010355	7/16" X 1" BOLT		04
08	0503030388	PLUG N-005		01
09	0501069661	PUMP PRESSURE TUBE		01



Item	Code	Description	See page	QT
001	0511060695	CONTROL VALVE		01
002	0503030878	LEVER CRANK		01



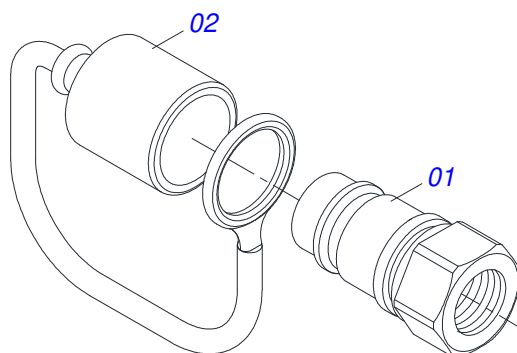
Item	Code	Description	See page	QT
01	0501010080	3/8" BOLT		03
02	0501010161	1/2" X 1.1/4" BOLT		04
03	0503010752	1/2" X 3.1/2" BOLT		02
04	0503010962	5/8" X 1-1/4" BOLT		02
05	0503013390	3/4" UNC BOLT		08
06	0501010500	3/4"X3"BOLT		04
07	0503011313	M 8 X 1,25 X 50 BOLT		06
08	0503010201	M10 X 1,5 X 120 BOLT		02
09	0501010984	FLAT WASHER		03
10	0511017302	FLAT WASHER		04
11	0503010025	3/8" SPRING WASHER		06
12	0503010019	1/2" SPRING WASHER		06
13	0503010023	3/4" SPRING WASHER		12
14	0503010143	1/4" SPRING WASHER		03
15	0503010027	5/8" SPRING WASHER		02
16	0503010026	3/8" NUT		06
17	0503010014	3/4" NUT		08
18	0503010013	5/8" NUT		02
19	0503010184	CLAMP		02
20	0503010243	CLAMP		02
21	0503010246	CLAMP		02
22	0501053834	MALE QUICK COUPLER WITH CAP - 1/2 NPT	17	02
23	0501053835	FEMALE QUICK COUPLER	18	02
24	0503030430	7/16 X 2" PIN LOCK		02
25	0503010237	3/8" X 1" BOLT		03
26	0503030012	HAIR PIN		02
27	0561016756	3/4 UNC X 3/4 UNC X 56 PRISONER		04
28	0503013793	M10 X 1,5 X 95 BOLT		02
29	0503010386	CABLE		02
30	0503010803	SCREW 3/16 UNC X 3/4 CAF G.2 ZN		01
31	0503010667	3/16" NUT		01



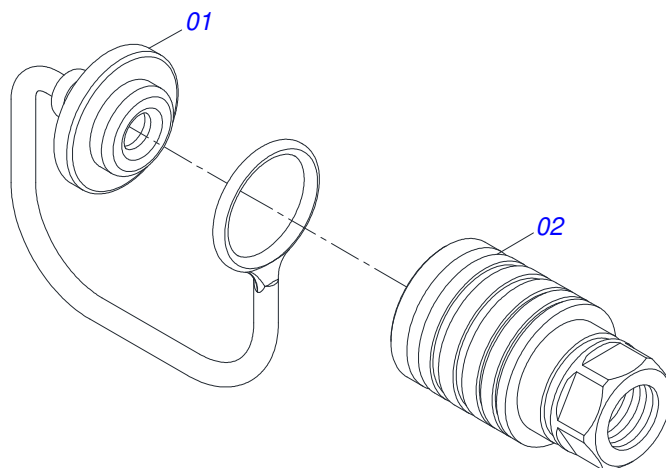
PACKED PARTS

0501038033

Item	Code	Description	See page	QT
32	0501010322	FLAT WASHER		12



Item	Code	Description	See page	QT
01	0503011627	MALE QUICK COUPLER AGR 1/2 NPT		01
02	0503011882	MALE QUICK COUPLER CAP		01



Item	Code	Description	See page	QT
01	0503011883	QUICK CONNECTION COVER		01
02	0503011628	FEMALE QUICK COUPLER		01



MARCHESAN

Technical Publications | Elaboration and Revision

MARINA PEREZ NIZA

www.marchesan.com.br

