

PD - FRONT LOADER

PD NHTL75/85/95E/CASE BTSC GAL

Code: 0501092980
Series: S-0813
Revision: 00
Date Revision: JUNHO/2021

PARTS CATALOGUE



MARCHESAN



PRODUCTS

Code	Description
0106040331	PD NHTL75/85/95E/CASE BTSC GAL

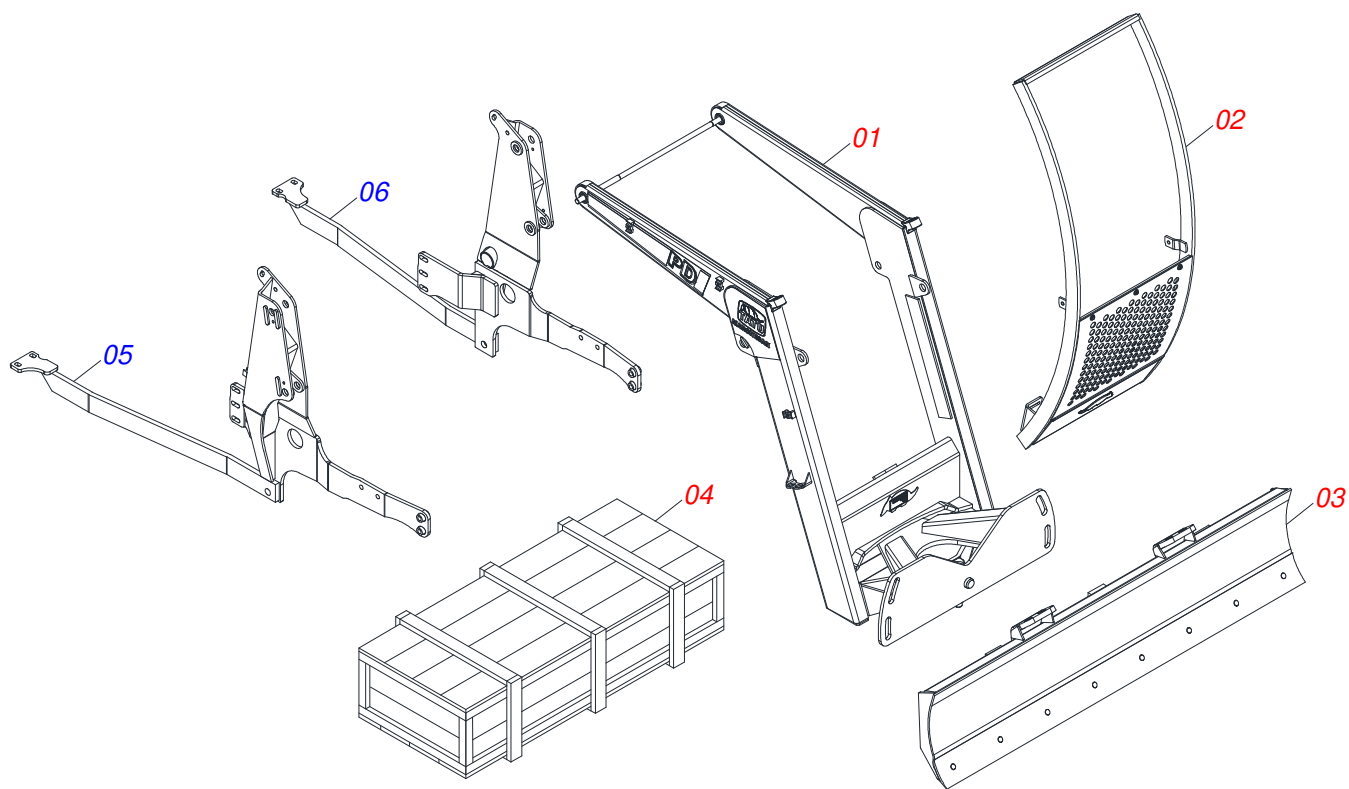
ATTENTION: IMPORTANT

Marchesan S.A. reserves the right to improve and / or modify the technical features of its products, without obligation to do the same with those products already sold and without prior knowledge of the dealer or the consumer.

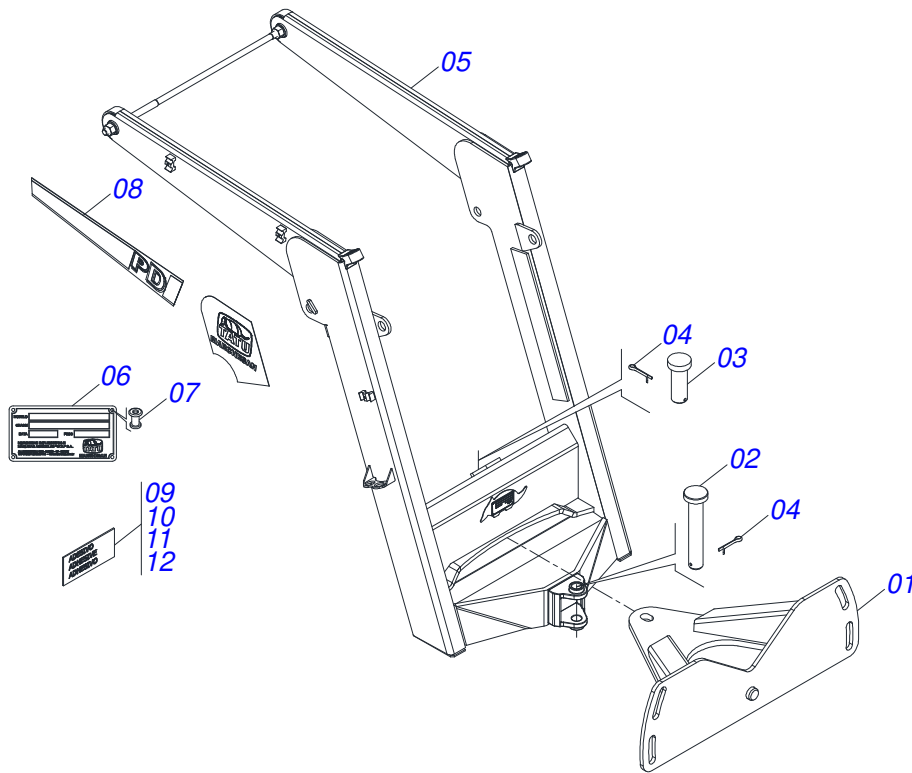


INDEX

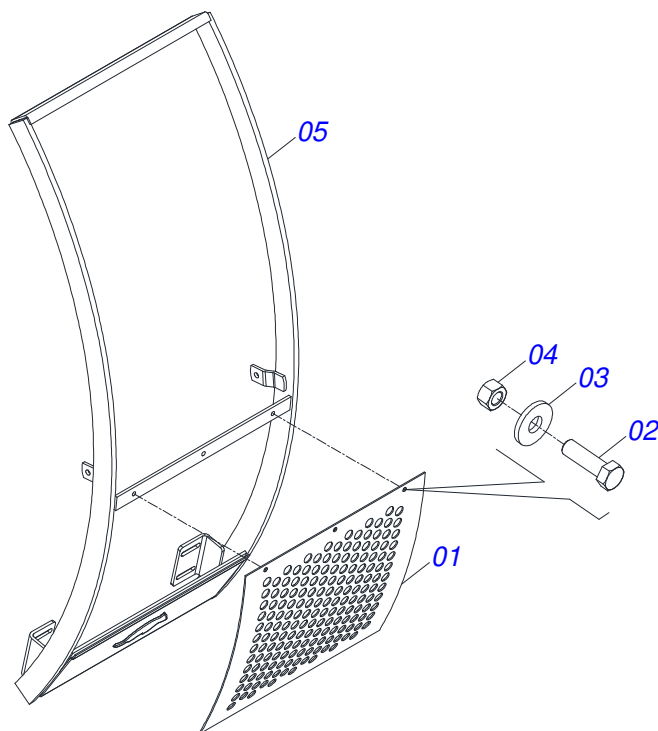
0106040331	PD NHTL75/85/95E/CASE BTSC GAL	1
0521040730	MOBILE SUPPORT ASSY	2
0511049956	MOBILE SUPPORT GUIDE ASSY	3
0501047708	2400 BLADE SUPPORT	4
0511029497	COMPONENT BOX	5
0511058451	HYDRAULIC CYLINDER	6
0511058446	HYDRAULIC CYLINDER	7
0909095853	HYDRAULIC CIRCUIT	8
0511030734	PACKED PARTS	9
0501041849	FULL 1.1/4 NC X 910 ROD	10
0501042819	1.1/4"NC X 33.46" ROD FULL	11
0501041427	1.1/4" NC X 1540 ASSY ROD	12
0501053834	MALE QUICK COUPLER WITH CAP - 1/2 NPT	13



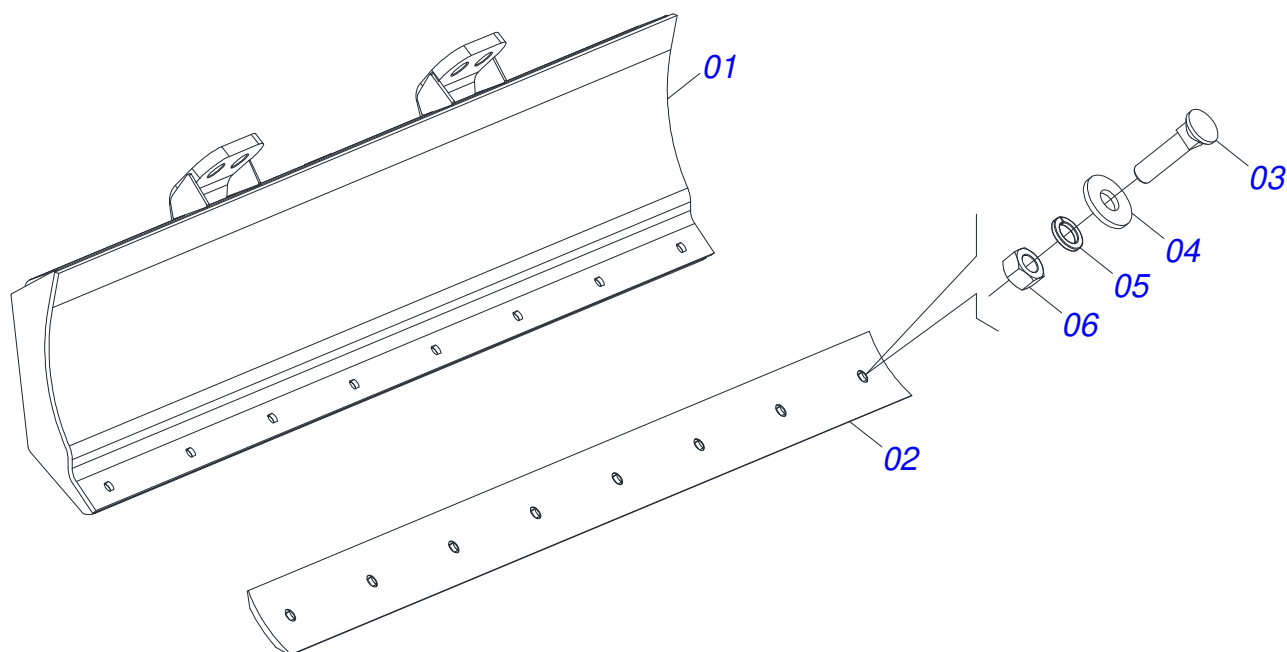
Item	Code	Description	See page	QT
01	0521040730	MOBILE SUPPORT ASSY	2	01
02	0511049956	MOBILE SUPPORT GUIDE ASSY	3	01
03	0501047708	2400 BLADE SUPPORT	4	01
04	0511029497	COMPONENT BOX	5	01
05	0521064404	RIGHT FRAME		01
06	0521064403	LEFT FRAME		01



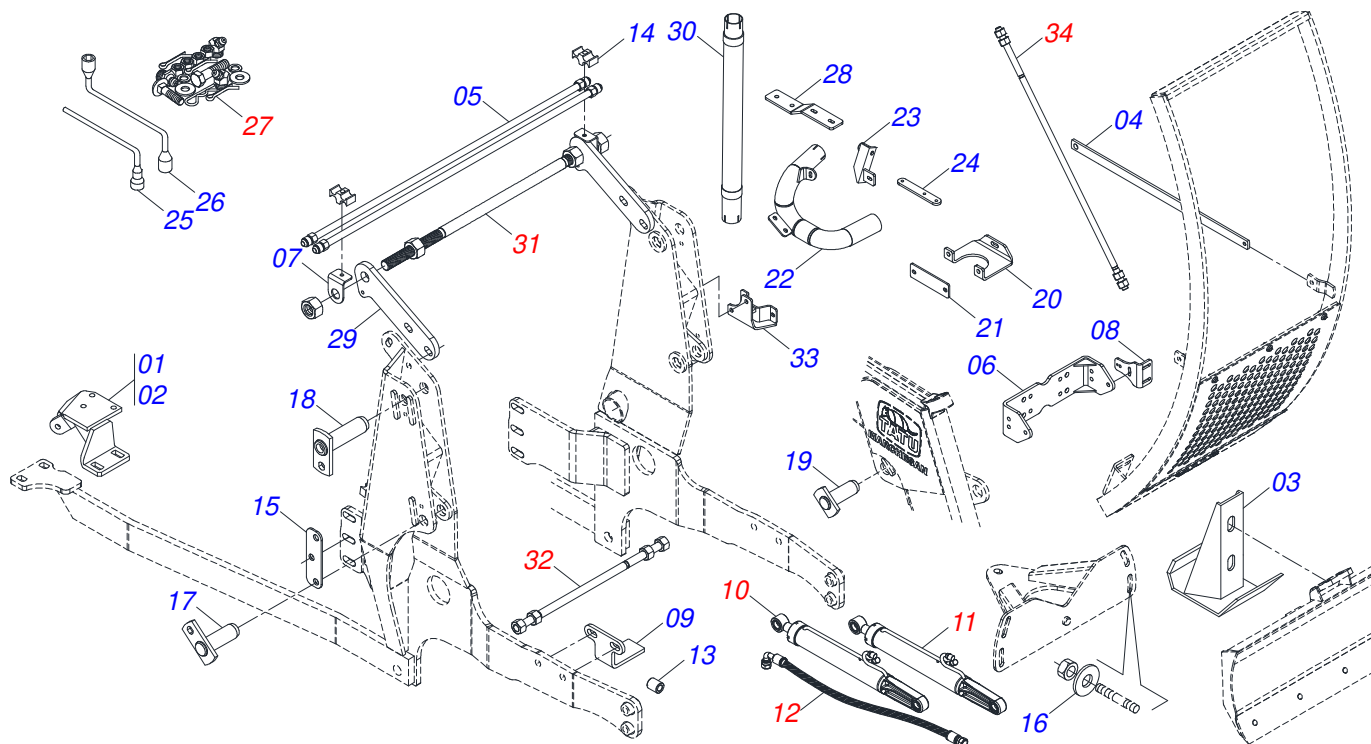
Item	Code	Description	See page	QT
01	0501062637	5/8" REGULATOR SUPPORT		01
02	0521010618	1.4" X 8.6" COUPLING SHAFT		01
03	0521010612	1.4" X 3.5" COUPLING SHAFT		01
04	0503010010	1/4" X 2.1/2" COTTERPIN		02
05	0521062944	MOBILE SUPPORT PD JD 6300		01
06	0503034003	SERIAL NUMBER TAG 61 X 118		01
07	0503010001	3.2 X 5.5 RIVET		04
08	0503062270	SET LABEL ADHESIVE		01
09	0503031428	READ MANUAL DECAL		01
10	0503031827	LUBRICATE AND RETIGHTEN DAILY DECAL		01
11	0503034078	LIFTING POINTS DECAL		03
12	0503031087	ADHESIVE LABEL		01



Item	Code	Description	See page	QT
01	0501017431	FRONT PROTECTION		01
02	0503010751	C3/8" X 1.1/4" HEX BOLT G.5		03
03	0501010984	FLAT WASHER		03
04	0503010026	3/8" NUT		03
05	0521062696	GUIDE SUPPORT MOBILE		01



Item	Code	Description	See page	QT
01	0501067999	2390 BLADE SUPPORT		01
02	0622360016	94.5" SCRAPER REVERSIBLE		01
03	0501012240	BOLT		08
04	0501012140	FLAT WASHER		08
05	0503011445	SPRING WASHER		08
06	0503010013	5/8" NUT		08



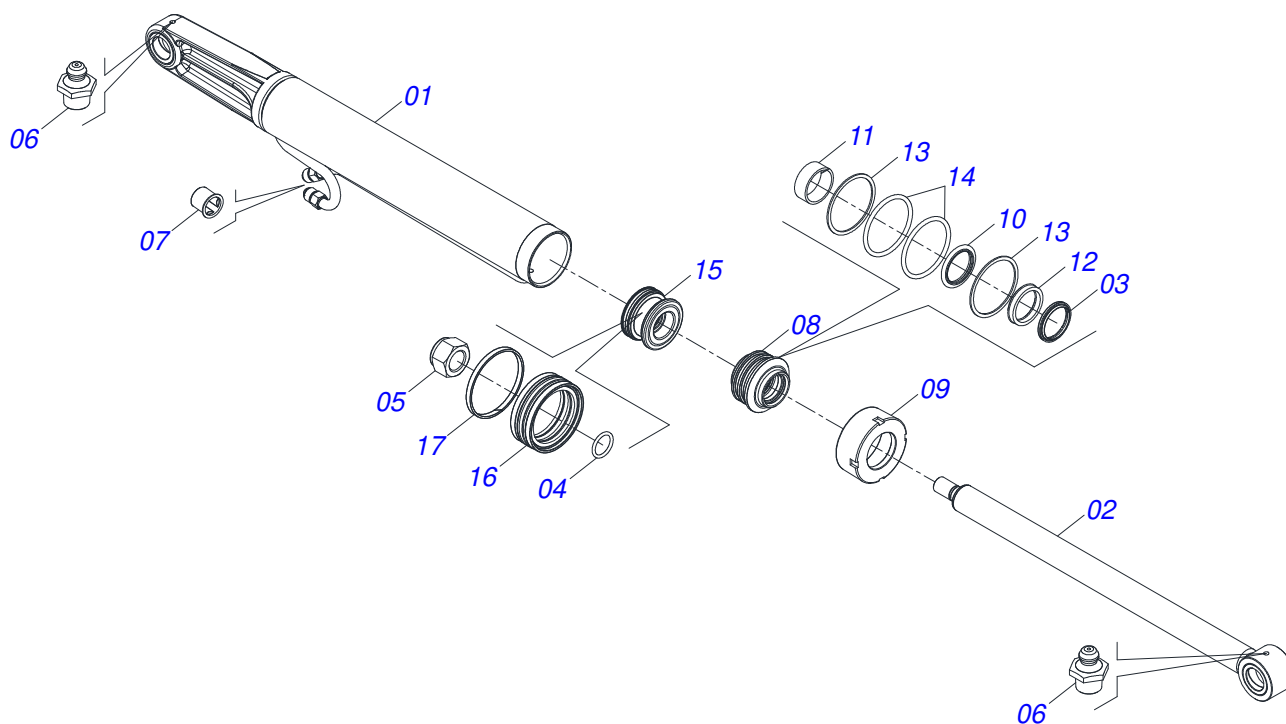
Item	Code	Description	See page	QT
01	0501069121	RH FRAME BRACKET		01
02	0501069122	LH FRAME BRACKET		01
03	0501063411	ESTABILIZER BRACKET		02
04	0521064405	FRENCH HAND 1145 WITH GLOVE		02
05	0521064407	OIL TUBE DISTRIBUTOR		02
06	0521064256	MOBILE SUPPORT GUIDE FIXER		01
07	0571014698	SUPPORT BODY		02
08	0571010158	FIXER GUIDE MOBILE SUPPORT		02
09	0571014616	BEATER		02
10	0511058451	HYDRAULIC CYLINDER	6	01
11	0511058446	HYDRAULIC CYLINDER	7	01
12	0909095853	HYDRAULIC CIRCUIT	8	01
13	0571014617	GLOVE 22.23X38.10X43		06
14	0502012702	BODY SUPPORT CLAMP		02
15	0571014582	SPACER		02
16	0501010574	FLAT WASHER		04
17	0501063959	PIVOT SHAFT		02
18	0501063751	1.5" X 5.5" PIVOT SHAFT		02
19	0521063354	COUPLING SHAFT		02
20	0571016676	FIXER		01
21	0571016678	LOCK		01
22	0521064670	EXHAUST ADAPTER		01
23	0521064672	SUPPLEMENT SUPPORT		01
24	0571015389	BAR		01
25	0501061617	1" GANG BOLT WRENCH		01
26	0501068213	5/8" WRENCH DOUBLE		01
27	0511030734	PACKED PARTS	9	01
28	0571016677	EXHAUST FIXER SUPORT		01
29	0581011932	FIXER		02
30	0503062302	EXTENSION		01
31	0501041849	FULL 1.1/4 NC X 910 ROD	10	01



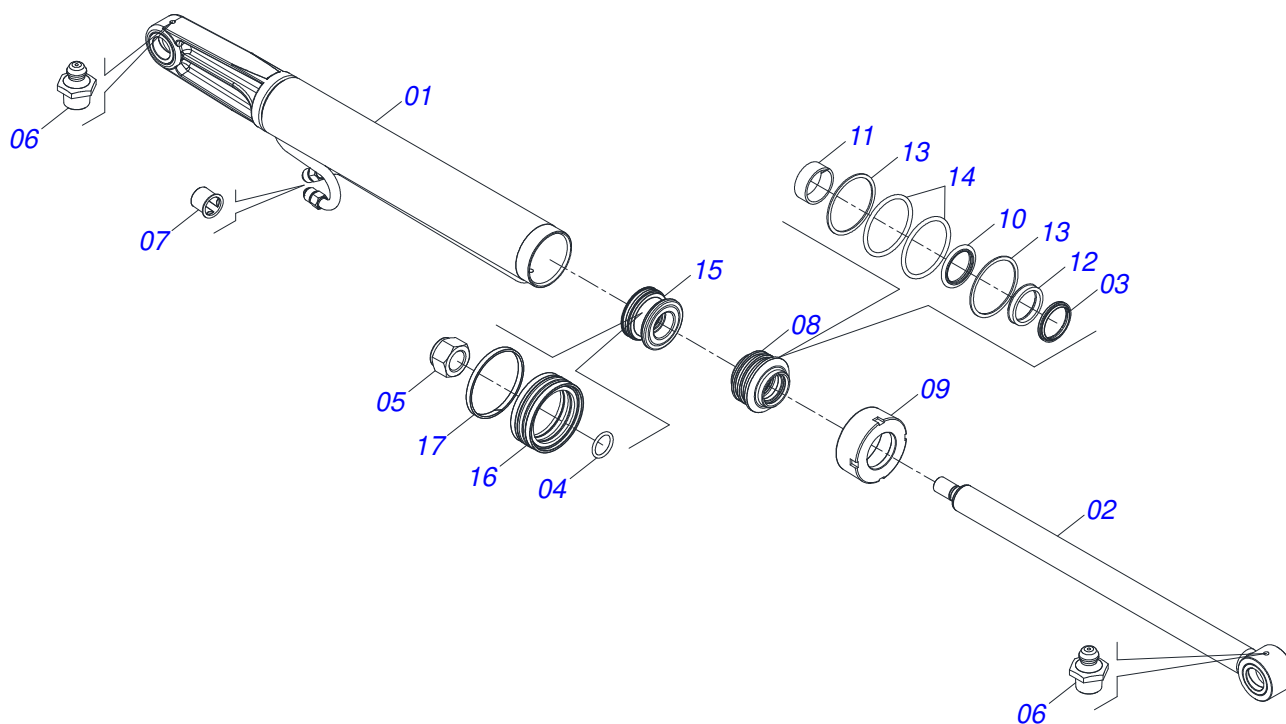
COMPONENT BOX

0511029497

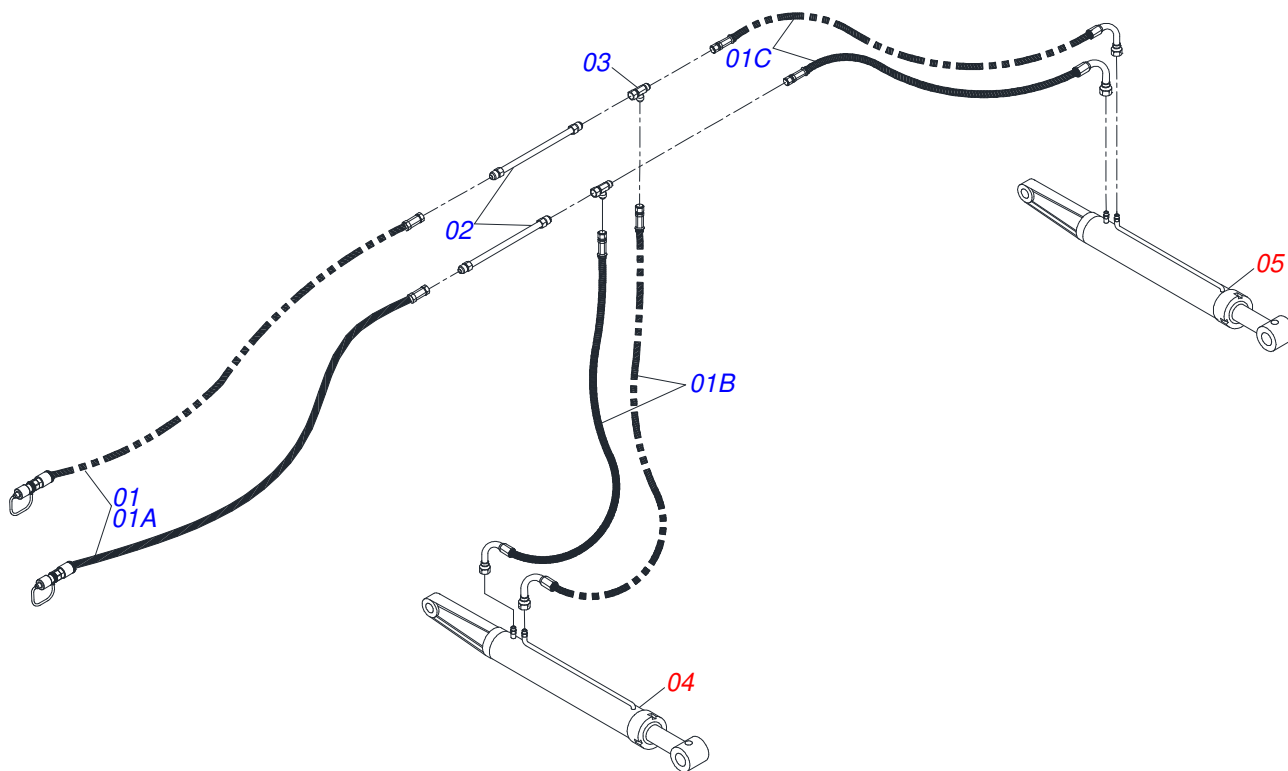
Item	Code	Description	See page	QT
32	0501042819	1.1/4"NC X 33.46" ROD FULL	11	01
33	0521067056	EXHAUST FIXER		01
34	0501041427	1.1/4" NC X 1540 ASSY ROD	12	02



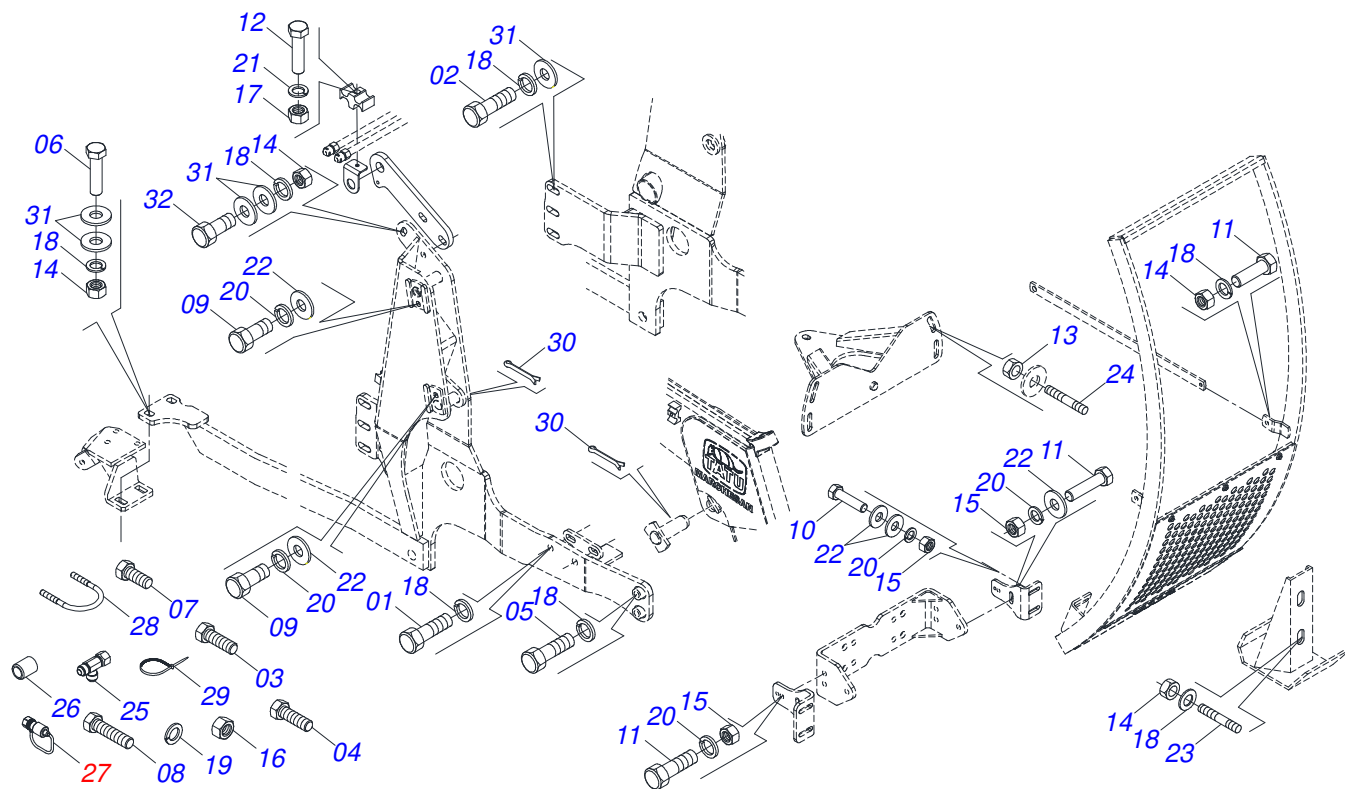
Item	Code	Description	See page	QT
001	0501069000	85,7" X 483" BODY RIGHT		01
002	0501068012	44,45 X 682 TURNBUCLE		01
003	0503010761	D-1750 SCRAPER RING		01
004	0503010042	2-214 N 3006-9B O'RING		01
005	0503010063	1" SELF-ALIGNING NUT		01
006	0503010002	1800 GREASE FITTING		02
007	0503030387	PLUG		02
008	0571019711	RING SUPPORT		01
009	0571019709	DETACHABLE COVER		01
010	0503017936	RING		01
011	0503017938	RING GUIDE		01
012	0503017937	GASKET		01
013	0503017940	8-337 BACK-UP RING		02
014	0503017939	2-337 N 3006-9B O' RING		02
015	0571019710	1.7" X 3.4" PISTON		01
016	0503017935	RING		01
017	0503018144	RING		01
018	0511032281	HYDRAULIC CYLINDER REPAIR KIT		01



Item	Code	Description	See page	QT
001	0501069001	85,7" X 483" BODY LEFT		01
002	0501068012	44,45 X 682 TURNBUCLE		01
003	0503010761	D-1750 SCRAPER RING		01
004	0503010042	2-214 N 3006-9B O'RING		01
005	0503010063	1" SELF-ALIGNING NUT		01
006	0503010002	1800 GREASE FITTING		02
007	0503030387	PLUG		02
008	0571019711	RING SUPPORT		01
009	0571019709	DETACHABLE COVER		01
010	0503017936	RING		01
011	0503017938	RING GUIDE		01
012	0503017937	GASKET		01
013	0503017940	8-337 BACK-UP RING		02
014	0503017939	2-337 N 3006-9B O' RING		02
015	0571019710	1.7" X 3.4" PISTON		01
016	0503017935	RING		01
017	0503018144	RING		01
018	0511032281	HYDRAULIC CYLINDER REPAIR KIT		01



Item	Code	Description	See page	QT
01	0511054286	HOSE KIT		01
01A	0501080861	1/2" X 3600 TR-TR HOSE		02
01B	0501080825	1/2" X 1100 TR-TC HOSE		02
01C	0501080119	HOSE		02
02	0521064407	OIL TUBE DISTRIBUTOR		02
03	0503012341	T 7/8" ADAPOR GIRAT NUT		02
04	0511058451	HYDRAULIC CYLINDER	6	01
05	0511058446	HYDRAULIC CYLINDER	7	01



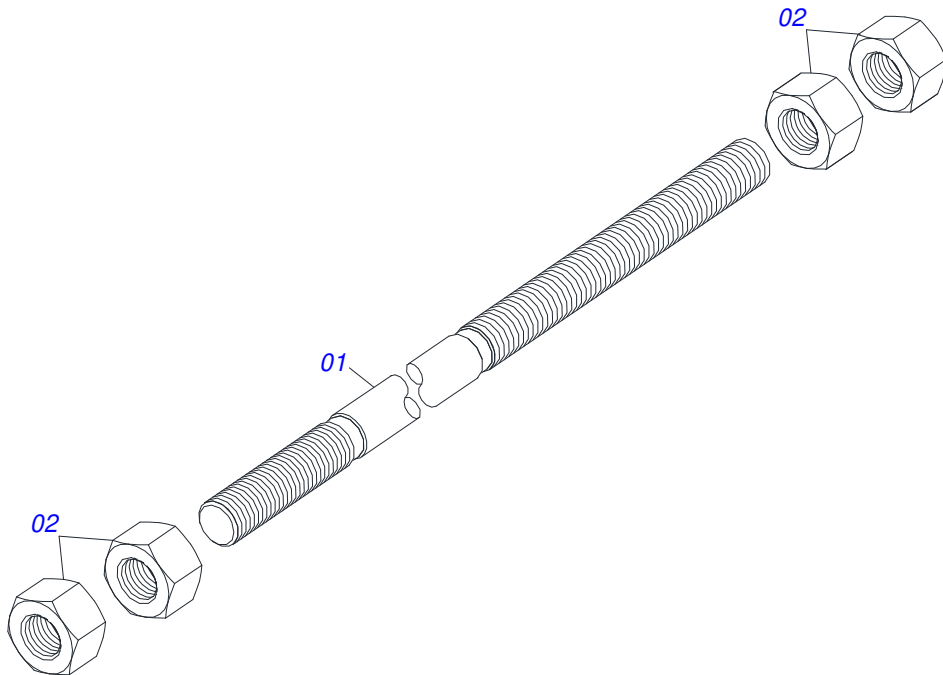
Item	Code	Description	See page	QT
01	0503013896	M20 X 2,5 X 85 BOLT		04
02	0503013111	M20 X 2,5 X 65 BOLT		04
03	0503016827	M16 X 1,5 X 50 C S F 12.9 ZN BOLT		04
04	0503013103	M20 X 2,5 X 90 BOLT		02
05	0503013090	M20 X 2,5 X 100 BOLT		04
06	0501010500	3/4"X3"BOLT		04
07	0503010428	M12 X 1,75 X30 BOLT		03
08	0503010849	3/8" X 1-1/2" BOLT		03
09	0503010962	5/8" X 1-1/4" BOLT		06
10	0503010233	5/8" X 2-1/2" BOLT		04
11	0503011243	5/8" X 2" BOLT		06
12	0503010365	NUT		02
13	0501010059	1.5/8 NUT		04
14	0503010014	3/4" NUT		12
15	0503010013	5/8" NUT		10
16	0503010026	3/8" NUT		03
17	0503010364	5/16" SQUARE NUT		02
18	0503010023	3/4" SPRING WASHER		22
19	0503010025	3/8" SPRING WASHER		05
20	0503010027	5/8" SPRING WASHER		16
21	0503010179	5/16" ZN SPRING WASHER		02
22	0511015705	FLAT WASHER		16
23	0561016756	3/4 UNC X 3/4 UNC X 56 PRISONER		04
24	0561016755	PRISONER 1 UNC X 1 UNC X 76 ZN		04
25	0503012341	T 7/8" ADAPOR GIRAT NUT		02
26	0521012542	SLEEVE		02
27	0501053834	MALE QUICK COUPLER WITH CAP - 1/2 NPT	13	02
28	0561011121	CLAMP		01
29	0503016022	T-120 L CRAMP NYLON		06
30	0503010534	3/8 X 2-1/2 COTTERPIN		02
31	0501010322	FLAT WASHER		18



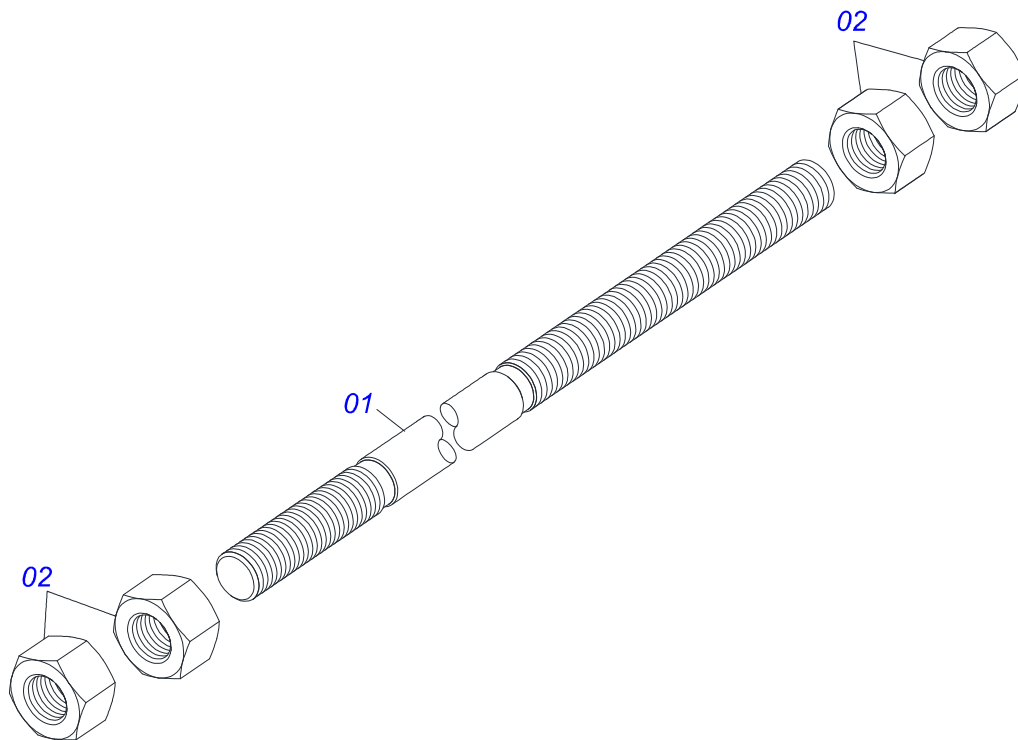
PACKED PARTS

0511030734

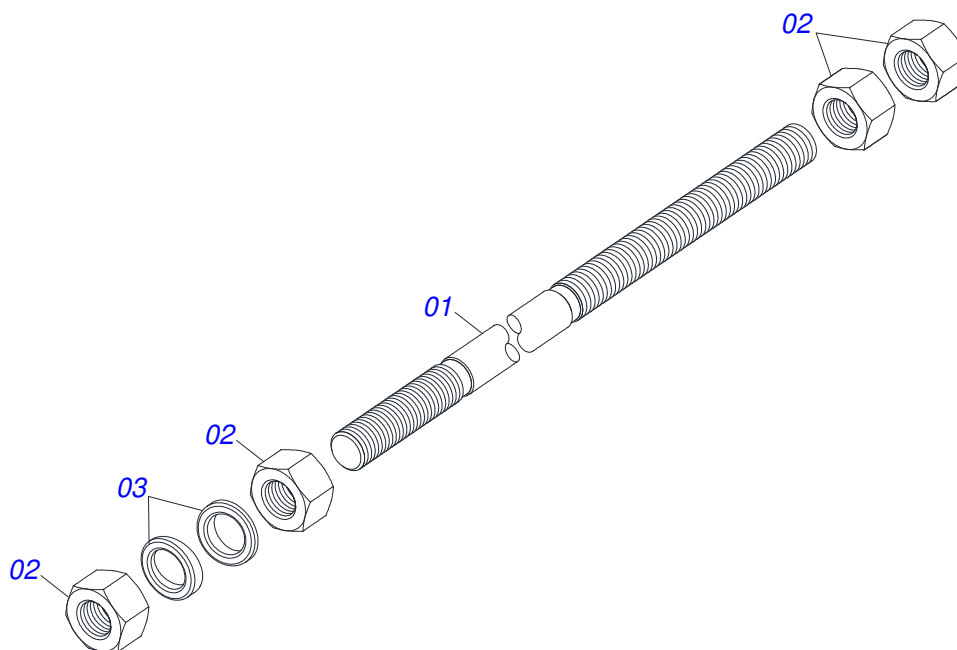
Item	Code	Description	See page	QT
32	0501010125	3/4" X 2-1/2" BOLT		04



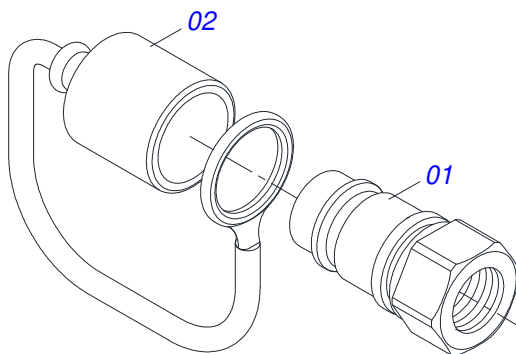
Item	Code	Description	See page	QT
01	0501014914	1.1/4" X 910 ROD		01
02	0501010087	1.1/4" NUT		04



Item	Code	Description	See page	QT
01	0501018845	1.1/4" X 33.46" ROD		01
02	0501010087	1.1/4" NUT		04



Item	Code	Description	See page	QT
01	0501014250	1.1/4" X 1540 ROD		01
02	0501010087	1.1/4" NUT		04
03	0502012180	CONICAL SPRING WASHER		02



Item	Code	Description	See page	QT
01	0503011627	MALE QUICK COUPLER AGR 1/2 NPT		01
02	0503011882	MALE QUICK COUPLER CAP		01



ANNOTATION



MARCHESAN

Lined area for annotations, consisting of multiple horizontal lines for writing.





MARCHESAN

Technical Publications | Elaboration and Revision

MARINA PEREZ NIZA

www.marchesan.com.br

