

**PD - FRONT LOADER**

**PD NH 7630-4 BT SC**

**Code:** 0501092979

**Series:** S-1118

**Revision:** 00

**Date Revision:** JUNHO/2021

# PARTS CATALOGUE



**MARCHESAN**



# PRODUCTS

Code	Description
0106040029	PD NH 7630-4 BT SC S-1118

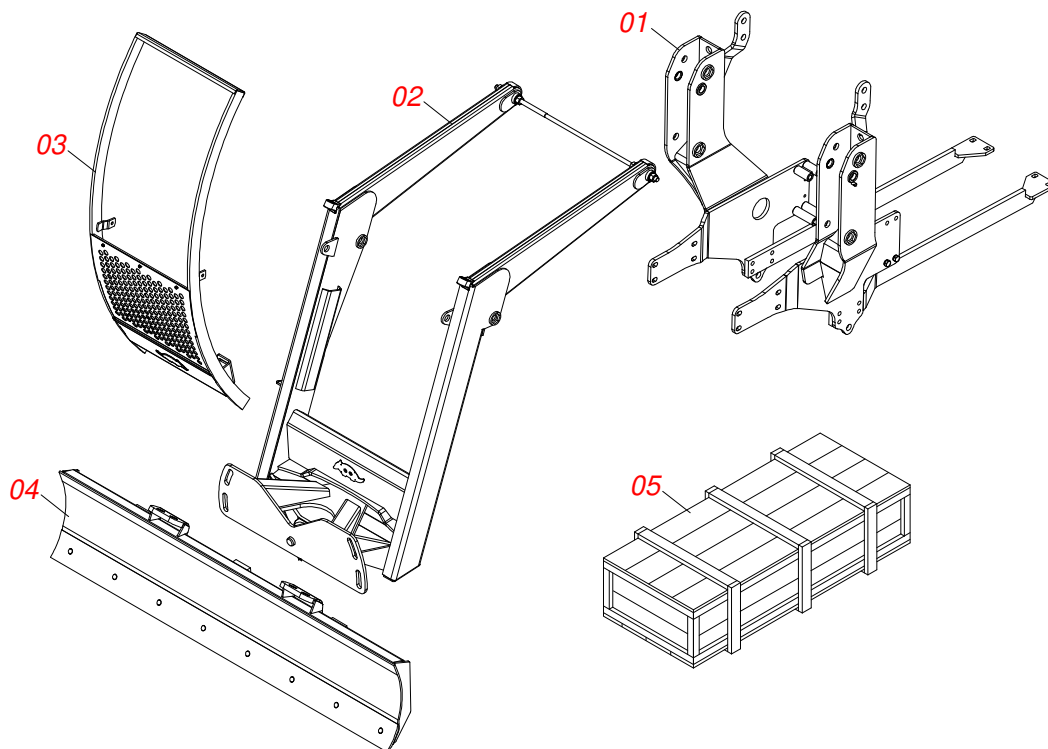
## ATTENTION: IMPORTANT

Marchesan S.A. reserves the right to improve and / or modify the technical features of its products, without obligation to do the same with those products already sold and without prior knowledge of the dealer or the consumer.

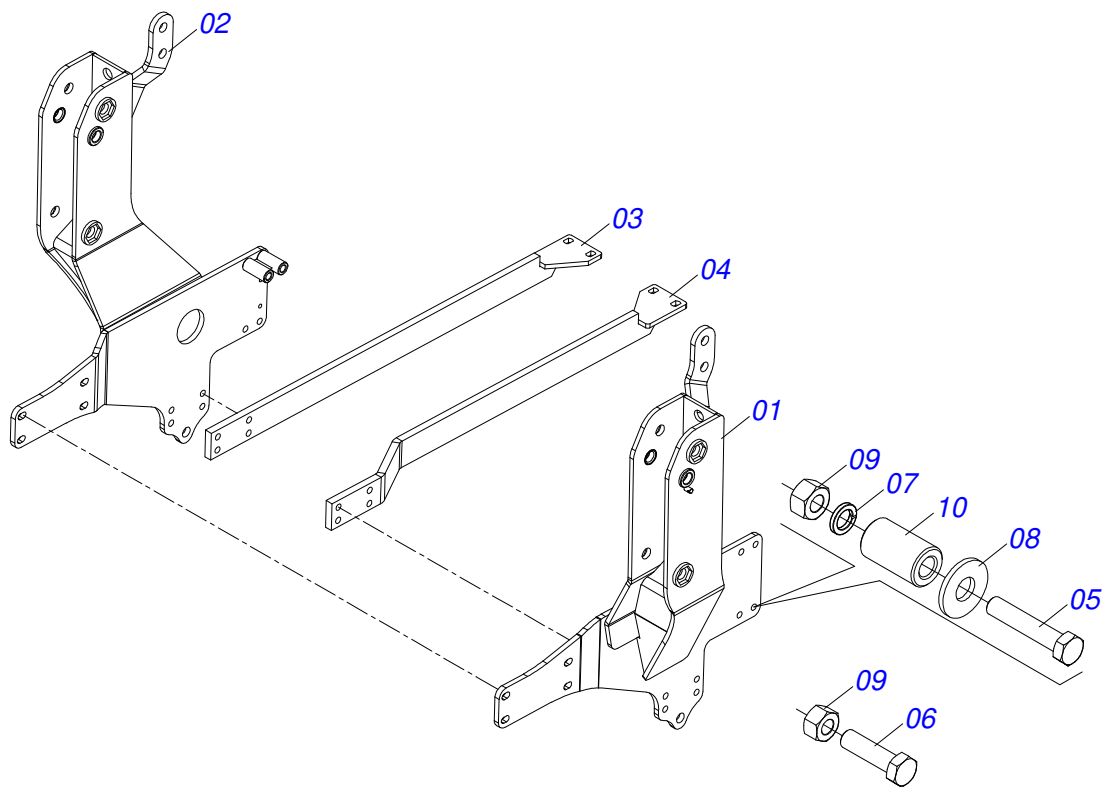


# INDEX

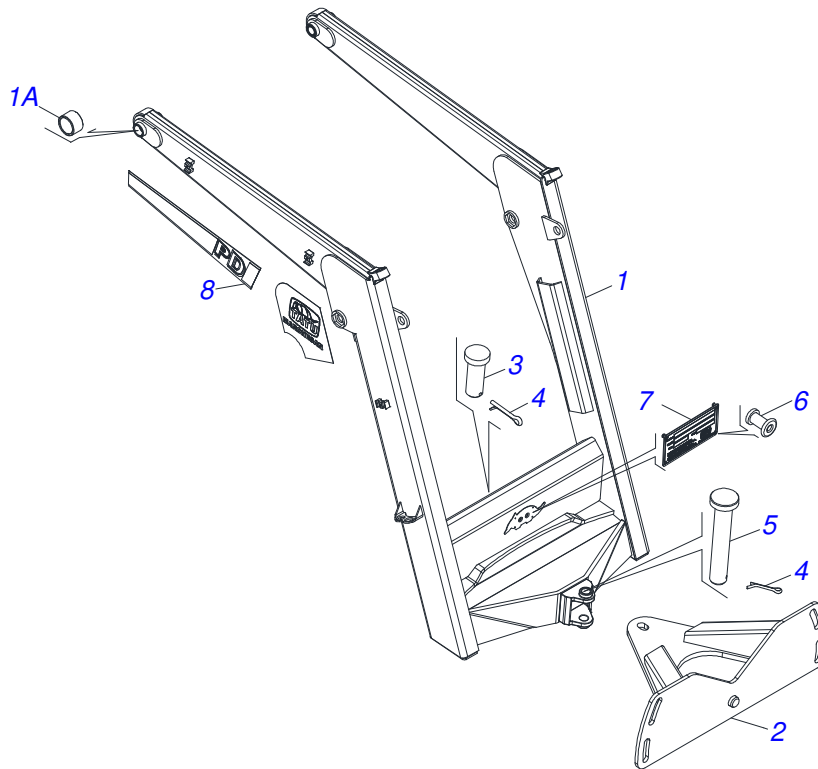
0909095813	ASSY FRAME	.....	1
0521048820	FRAME ASSEMBLY WITH REAR BAR	.....	2
0521047902	MOBILE SUPPORT ASSY	.....	3
0501049367	ASSY HIGH MOBILE SUPPORT GUIDE	.....	4
0501047708	2400 BLADE SUPPORT	.....	5
0521025243	BOX WITH COMPONENTS	.....	6
0521047923	ROD	.....	7
0511043351	1.1/4" X 40" ROD	.....	8
0521047554	ROD 1.1 / 4 NC 760 X 4 ASSY WITH NUT	.....	9
0909095814	HYDRAULIC CIRCUIT	.....	10
0521051546	HYDRAULIC CYLINDER	.....	11
0501053834	MALE QUICK COUPLER WITH CAP - 1/2 NPT	.....	12
0501053835	FEMALE QUICK COUPLER	.....	13
0511057771	R.7/8UNF - SAFETY VALVE	.....	14



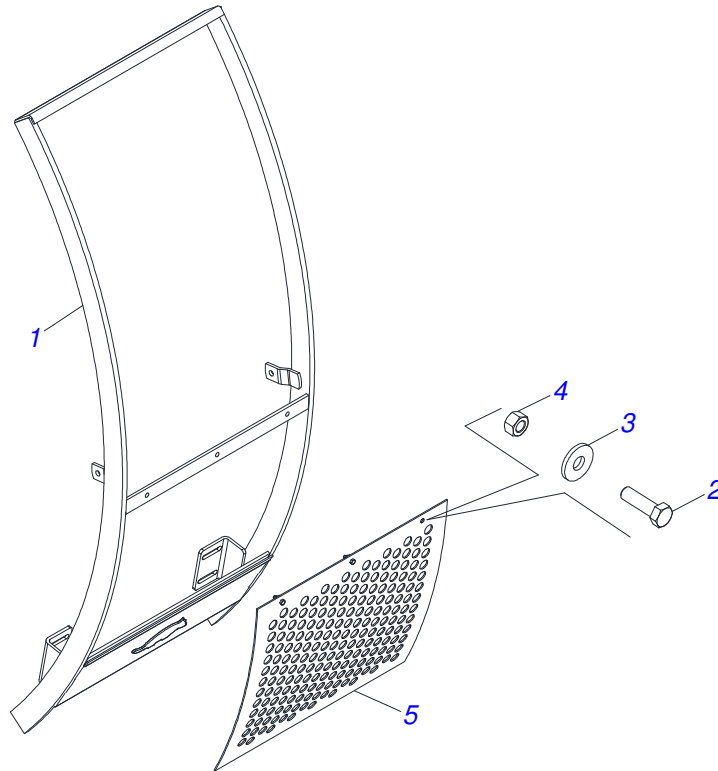
Item	Code	Description	See page	QT
01	0521048820	FRAME ASSEMBLY WITH REAR BAR	2	01
02	0521047902	MOBILE SUPPORT ASSY	3	01
03	0501049367	ASSY HIGH MOBILE SUPPORT GUIDE	4	01
04	0501047708	2400 BLADE SUPPORT	5	01
05	0521025243	BOX WITH COMPONENTS	6	01



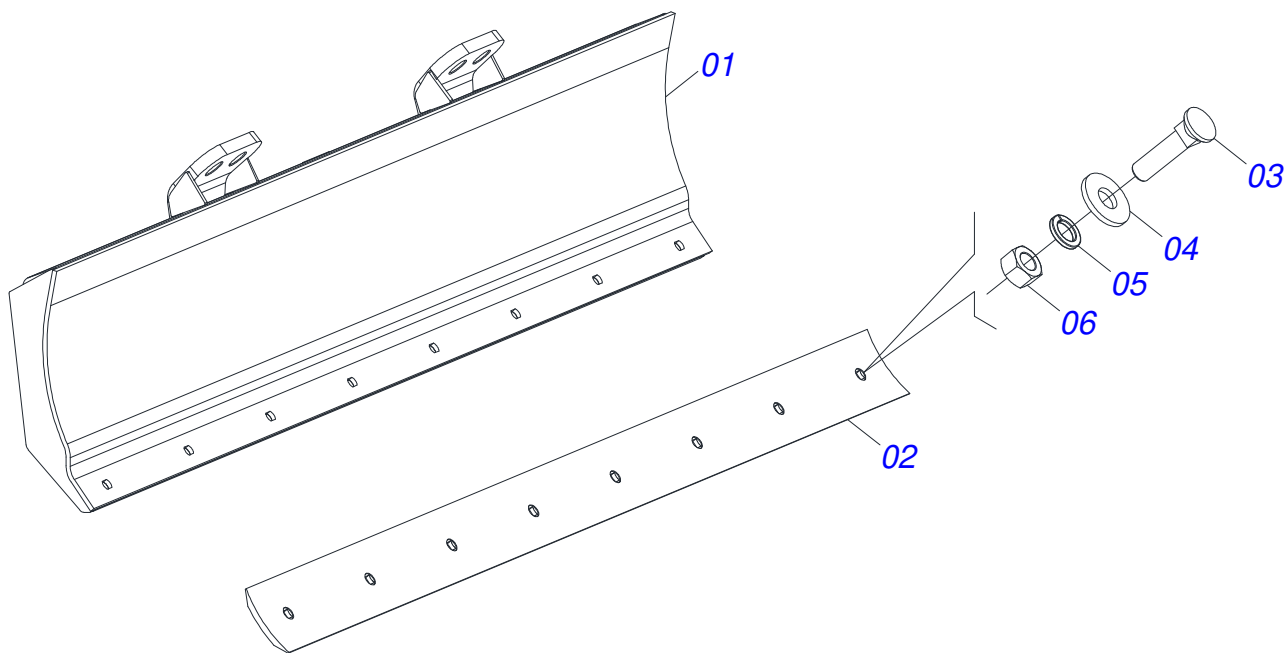
Item	Code	Description	See page	QT
01	0521069479	LEFT FRAME		01
02	0521069480	RIGHT FRAME		01
03	0521068054	RIGHT REAR BAR		01
04	0521068053	LEFT REAR BAR		01
05	0503011084	3/4" X 5" BOLT		04
06	0501010500	3/4"X3"BOLT		02
07	0503010023	3/4" SPRING WASHER		04
08	0501010322	FLAT WASHER		04
09	0503010014	3/4" NUT		06
10	0581015170	SLEEVE		04



Item	Code	Description	See page	QT
01	0521068513	MOBILE SUPPORT		01
01A	0501110825	SLEEVE		02
02	0501062637	5/8" REGULATOR SUPPORT		01
03	0521010618	1.4" X 8.6" COUPLING SHAFT		01
04	0503010010	1/4" X 2.1/2" COTTERPIN		02
05	0521010612	1.4" X 3.5" COUPLING SHAFT		01
06	0503010001	3.2 X 5.5 RIVET		04
07	0503034003	SERIAL NUMBER TAG 61 X 118		01
08	0503062270	SET LABEL ADHESIVE		01

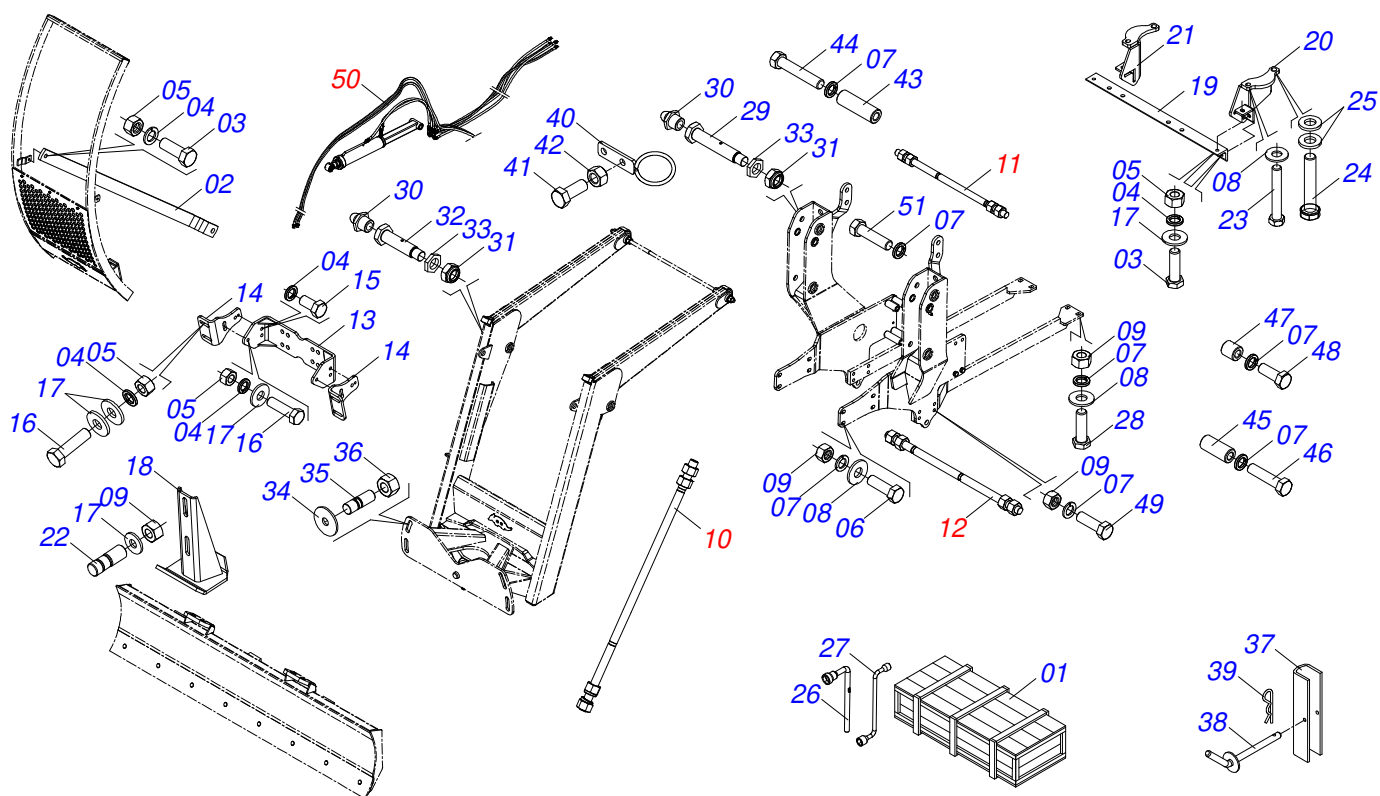


Item	Code	Description	See page	QT
01	0511061956	MOBILE SUPPORT GUIDE ASSY		01
02	0503010751	C3/8" X 1.1/4" HEX BOLT G.5		03
03	0501010984	FLAT WASHER		03
04	0503010026	3/8" NUT		03
05	0501014687	FRONT PROTECTION		01



Item	Code	Description	See page	QT
01	0501067999	2390 BLADE SUPPORT		01
02	0622360016	94.5" SCRAPER REVERSIBLE		01
03	0501012240	BOLT		08
04	0501012140	FLAT WASHER		08
05	0503011445	SPRING WASHER		08
06	0503010013	5/8" NUT		08



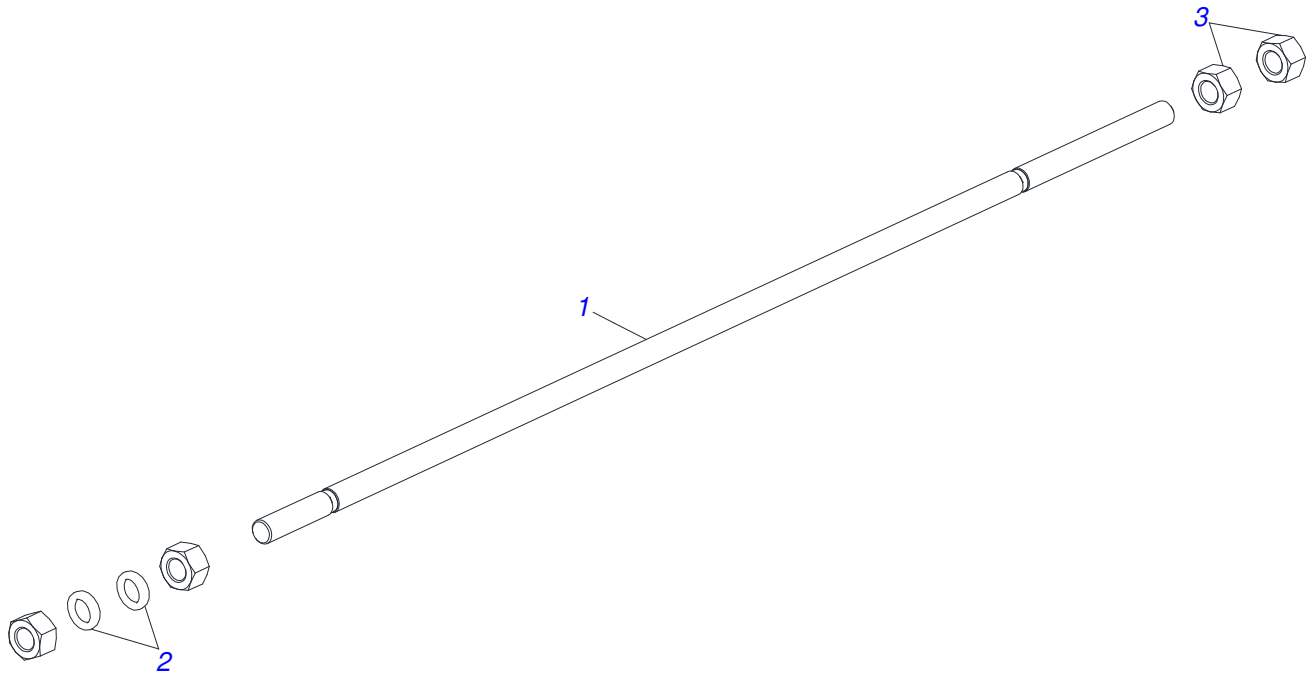


Item	Code	Description	See page	QT
01	0501100007	BOX WOOD 2150X400X440		01
02	0581015051	FRENCH HAND 1275		02
03	0501010100	SCREW 5/8 UNC X 2 CS G.5 ZN		06
04	0503010027	5/8" SPRING WASHER		14
05	0503010013	5/8" NUT		12
06	0503013111	M20 X 2,5 X 65 BOLT		08
07	0503010023	3/4" SPRING WASHER		28
08	0501010322	FLAT WASHER		14
09	0503010014	3/4" NUT		16
10	0521047923	ROD	7	02
11	0511043351	1.1/4" X 40" ROD	8	01
12	0521047554	ROD 1.1 / 4 NC 760 X 4 ASSY WITH NUT	9	01
13	0521064256	MOBILE SUPPORT GUIDE FIXER		01
14	0571010158	FIXER GUIDE MOBILE SUPPORT		02
15	0503010962	5/8" X 1-1/4" BOLT		02
16	0503010899	5/8" X 2-1/4" BOLT		06
17	0501012140	FLAT WASHER		18
18	0501063411	ESTABILIZER BRACKET		02
19	0571018368	FRAME FIXATION SUPPORT BODY 980		01
20	0521065785	LEFT FRAME FIXING SUPPORT		01
21	0521065784	FRAME FIXING RIGHT SUPPORT		01
22	0561016756	3/4 UNC X 3/4 UNC X 56 PRISONER		04
23	0501010066	3/4" X 9" BOLT		02
24	0501010064	1" X 9" BOLT		02
25	0501016545	FLAT WASHER		04
26	0501061617	1" GANG BOLT WRENCH		01
27	0501068213	5/8" WRENCH DOUBLE		01
28	0501010125	3/4" X 2-1/2" BOLT		04
29	0581015006	BOLT		04
30	0503010002	1800 GREASE FITTING		06
31	0503010044	1-1/4" SELF LOCKING NUT		06

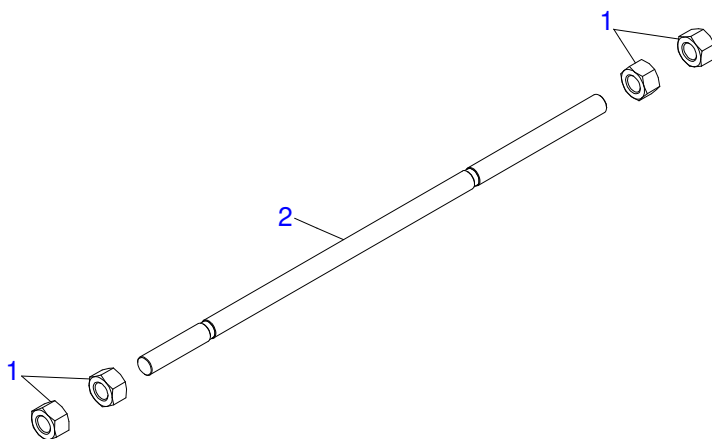


PD NH 7630-4 BT SC  
BOX WITH COMPONENTS

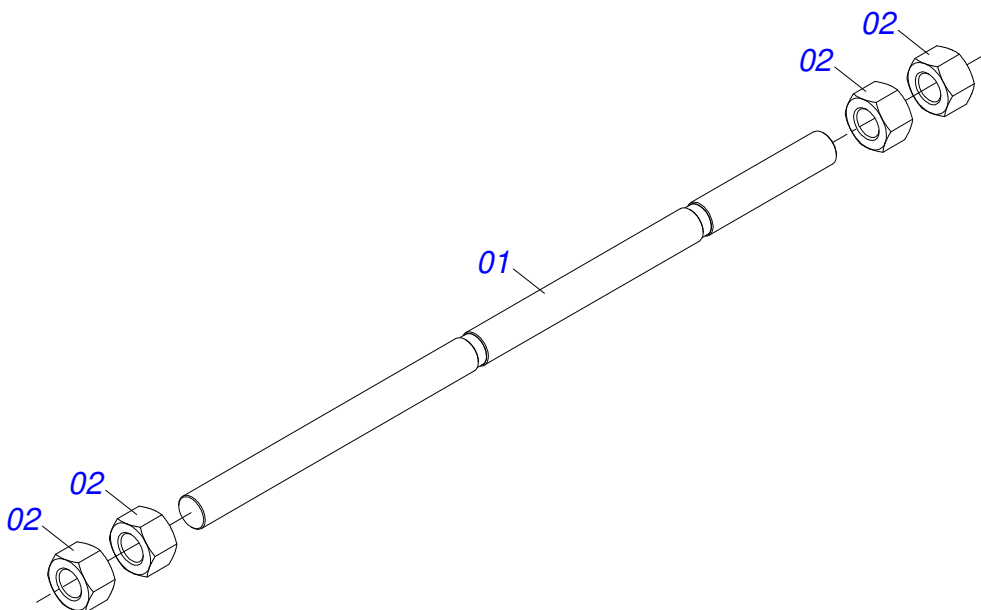
Item	Code	Description	See page	QT
32	0581015007	BOLT 1.1/4 UNF X 103		02
33	0581010243	WASHER HEX		06
34	0501010574	FLAT WASHER		04
35	0561016755	PRISONER 1 UNC X 1 UNC X 76 ZN		04
36	0501010059	1.5/8 NUT		04
37	0531017238	LOCK TRANSPORT		02
38	0501068994	0.3" X 3.1"LOCK PIN		02
39	0503030168	HAIR PIN		02
40	0521069481	HOSES GUIDE		01
41	0501010063	1/2" X 1-1/2" BOLT		01
42	0503011336	1/2" HEX SELF ADJUSTING NUT		01
43	0581015028	GLOVE 21 X 44.45 X 141		02
44	0503015049	M20 X 2,5 X 190 BOLT		02
45	0541013067	GLOVE 21 X 44.45 X 76		02
46	0503014928	M20 X 2,5 X 130 BOLT		02
47	0571018371	SLEEVE		02
48	0503013103	M20 X 2,5 X 90 BOLT		02
49	0501010500	3/4"X3"BOLT		08
50	0909095814	HYDRAULIC CIRCUIT	10	01
51	0503013364	M20 X 2,5 X 150 BOLT		02
52	0511033668	BAG WITH INSTRUCTION MANUAL		01



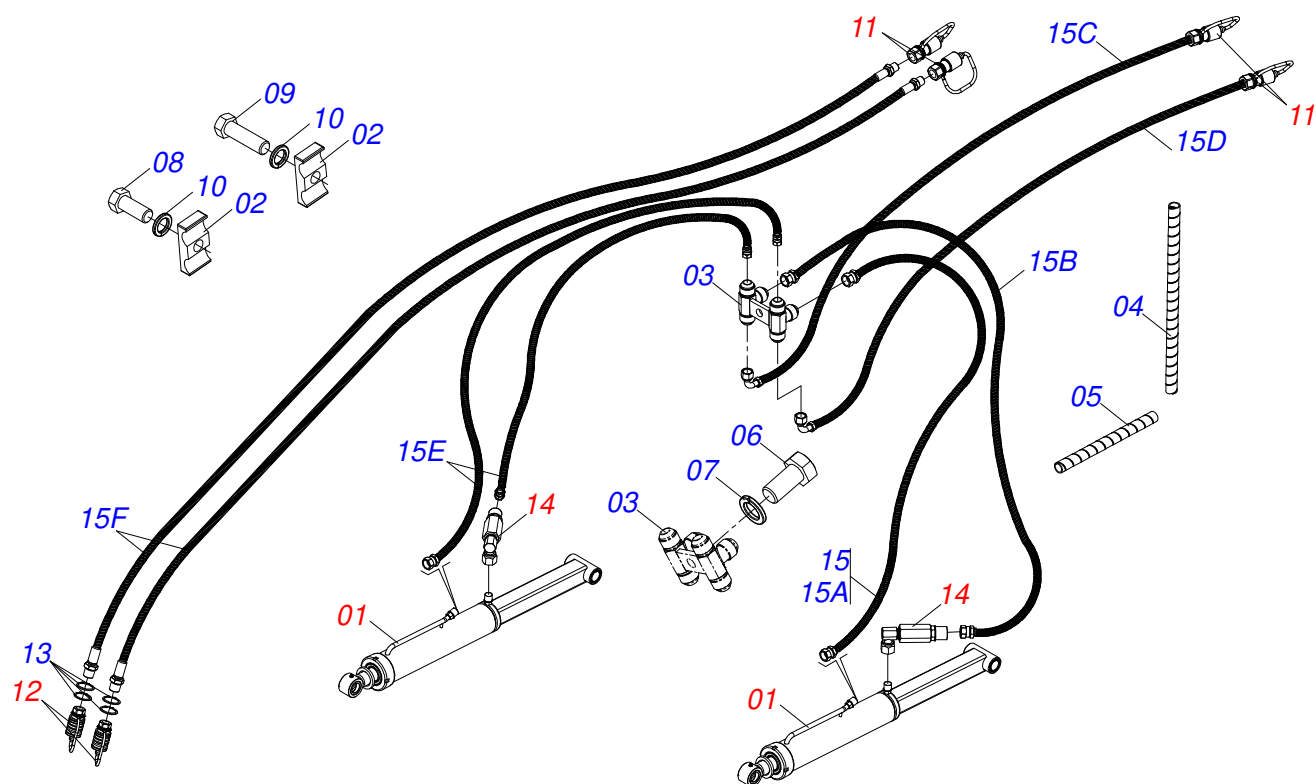
Item	Code	Description	See page	QT
001	0581016637	ROD		01
002	0502012180	CONICAL SPRING WASHER		02
003	0501010087	1.1/4" NUT		04



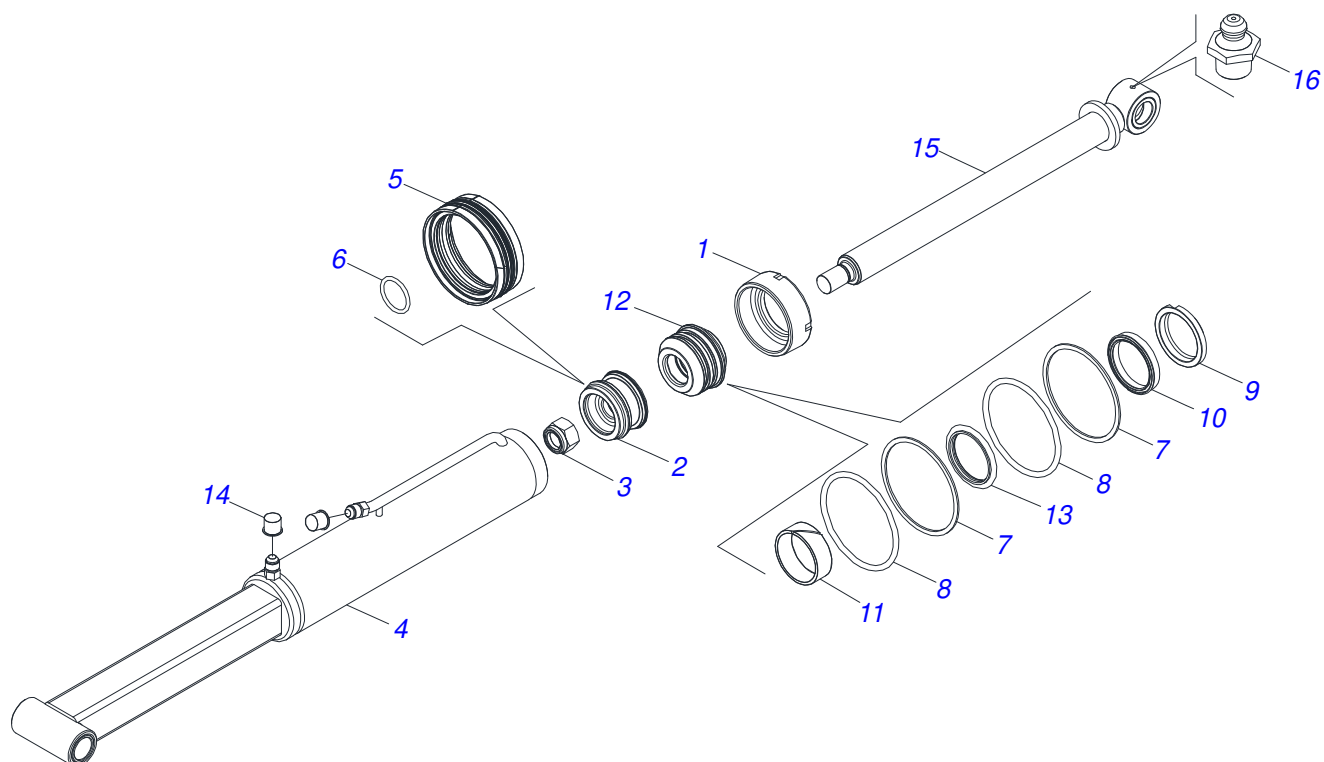
Item	Code	Description	See page	QT
01	0501010087	1.1/4" NUT		04
02	0541015018	ROD 1.1/4 NC X 1000 PCA-T 1750		01



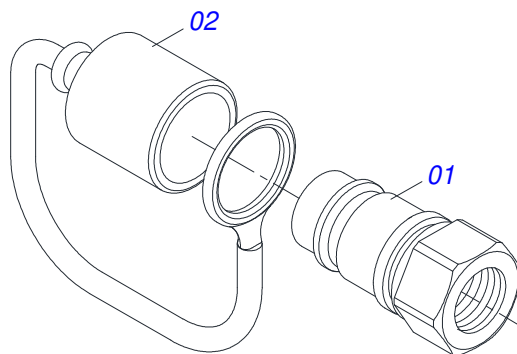
Item	Code	Description	See page	QT
01	0501010628	1.1/4" X 760 ROD		01
02	0501010087	1.1/4" NUT		04



Item	Code	Description	See page	QT
01	0521051546	HYDRAULIC CYLINDER	11	02
02	0502010477	HOSE CLAMP		03
03	0521064869	7/8UNF JIC OIL DISTRIBUTOR - PD NH T7 175		01
04	0581011170	HOSE PLASTIC PROTECTION SPRING		02
05	0581019205	SPRING PLASTIC HOSE PROTECTION		01
06	0501010155	1/2" X 1" BOLT		01
07	0503010019	1/2" SPRING WASHER		01
08	0503011338	7/16" X 1" BOLT		02
09	0503011135	BOLT		03
10	0503010180	7/16" SPRING WASHER		05
11	0501053834	MALE QUICK COUPLER WITH CAP - 1/2 NPT	12	04
12	0501053835	FEMALE QUICK COUPLER	13	02
13	0503010217	501040 CLAMPING RING (FOR AXLE)		04
14	0511057771	R.7/8UNF - SAFETY VALVE	14	02
15	0521051567	HOSE GAME		01
15A	0501080014	HOSE		01
15B	0501080103	1/2" X 47" TR-TR HOSE		01
15C	0501080267	HOSE 1/2 X 2100 TR-TC		01
15D	0501080618	1/2" X 2200 TR-TC HOSE		01
15E	0501081384	HOSE		02
15F	0501082022	HOSE 1/2 X 6200 TM-TM		02

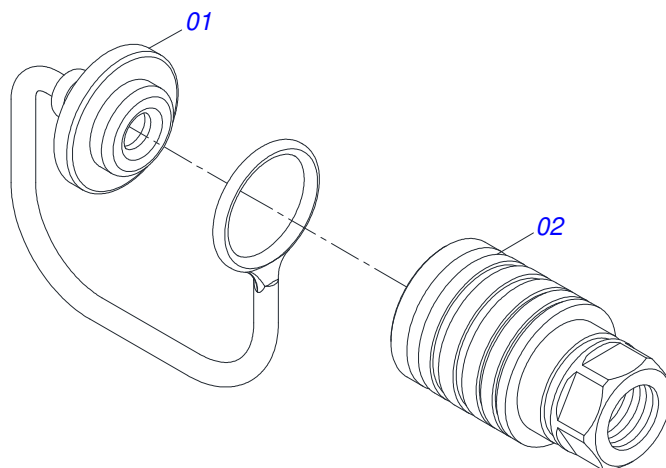


Item	Code	Description	See page	QT
001	0502012822	101.60 END CAP		01
002	0502012842	50,80 X 101,60 PISTON		01
003	0503010817	1.1/4" SELF LOCKING NUT		01
004	0511071242	CYLINDER CASE		01
005	0503015633	SELEMASTER SEALING		01
006	0503018029	2-217 O-RING		01
007	0503011061	8-342 BACK-UP RING		02
008	0503010338	2-342 N 3006-9B O-RING		02
009	0503010039	D-2000 SCRAPER RING		01
010	0503018026	1870-2000-375 B GASKET		01
011	0503018025	RING GUIDE		01
012	0502012821	50.80 X 101.60 RING SUPPORT		01
013	0503018024	RING BS		01
014	0503030387	PLUG		02
015	0521068050	TURNBUCKLE		01
016	0503010002	1800 GREASE FITTING		01
017	0511032211	CYLINDER REPAIR KIT 50.80 X 101.60		

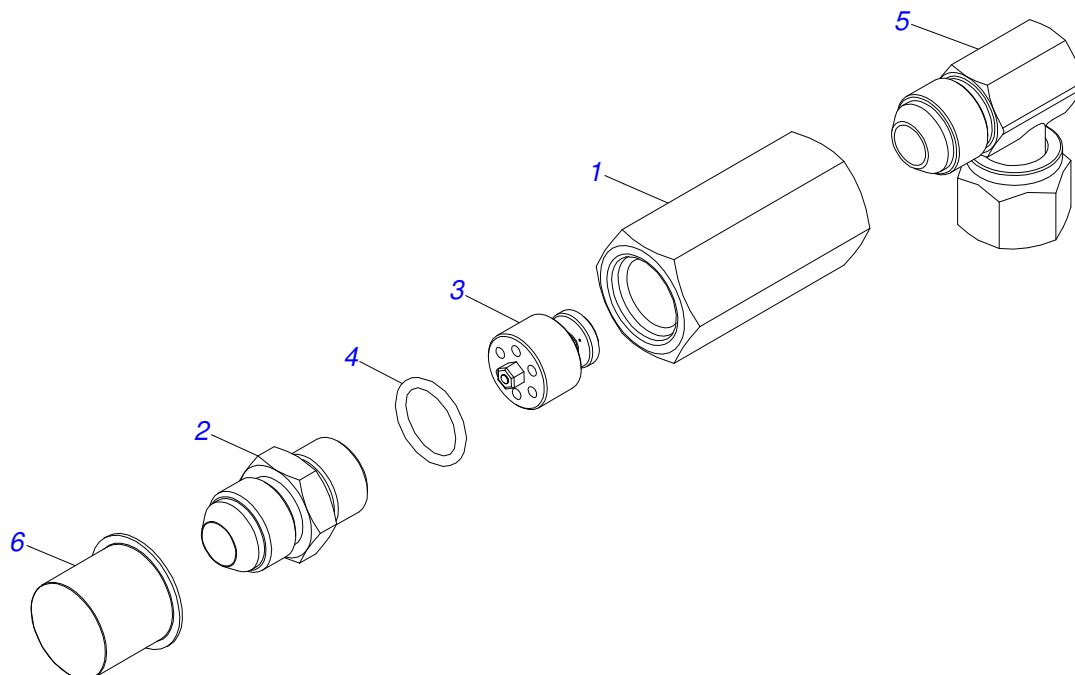


Item	Code	Description	See page	QT
01	0503011627	MALE QUICK COUPLER AGR 1/2 NPT		01
02	0503011882	MALE QUICK COUPLER CAP		01





Item	Code	Description	See page	QT
01	0503011883	QUICK CONNECTION COVER		01
02	0503011628	FEMALE QUICK COUPLER		01



Item	Code	Description	See page	QT
01	0503018033	37 X R.7/8 UNF 90° JIC MALE CONNECTOR WITH ROTATING NUT		01
02	0581014053	1/2 BSP X 7/8 UNF JIC X 64 ADAPTER - GATG		01
03	0503016854	VALVE ASSY		01
04	0503010045	O'RING		01
05	0581014052	1/2 BSP X 7/8 UNF JIC X 43 NIPLE		01
06	0503030387	PLUG		01





**MARCHESAN**

**Technical Publications | Elaboration and Revision**

ALESSANDRA PATRICIA KAWAHARA CARRILI

[www.marchesan.com.br](http://www.marchesan.com.br)

