

PD - FRONT LOADER

PD VTR BM 100-4 BT SC GAL

Code: 0501092976

Series: S-1107

Revision: 00

Date Revision: JULHO/2021

PARTS CATALOGUE



MARCHESAN



PRODUCTS

Code	Description
0106020358	PD VTR BM 100-4 BT SC GAL

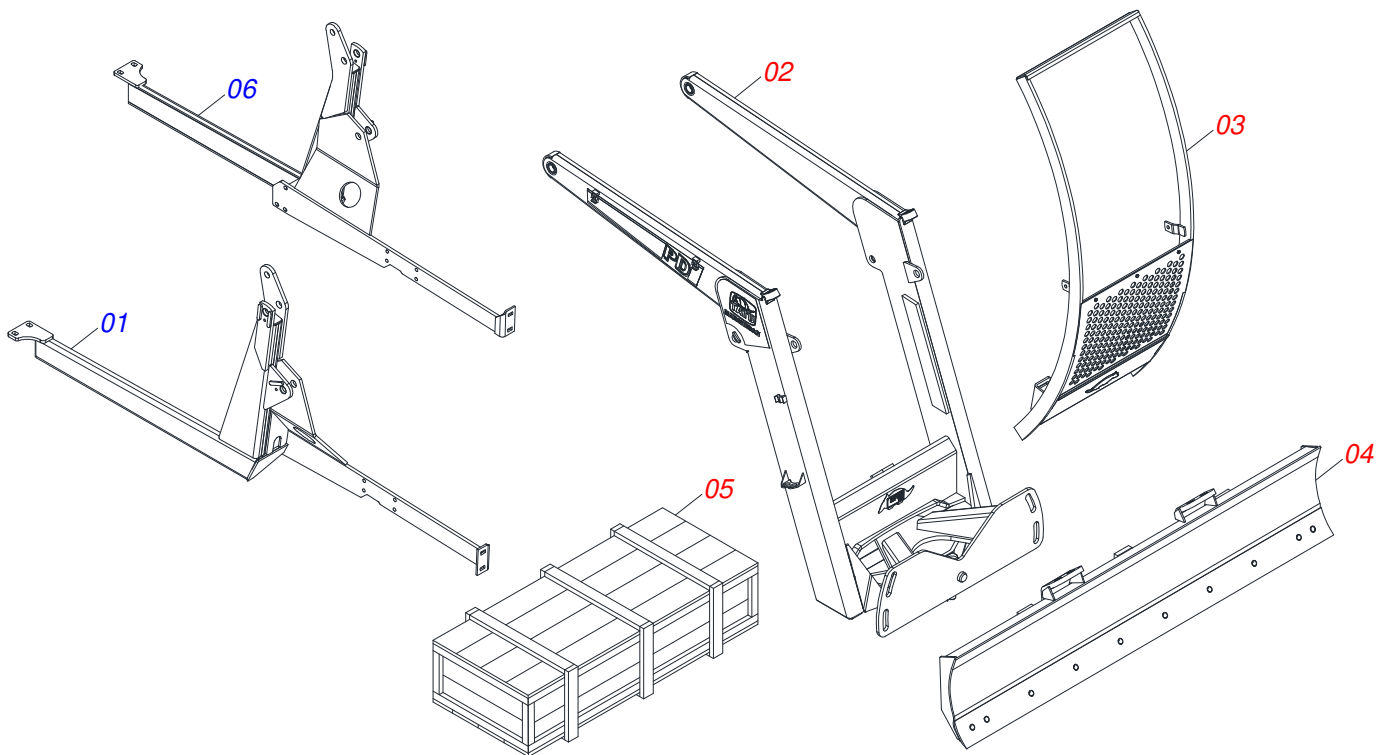
ATTENTION: IMPORTANT

Marchesan S.A. reserves the right to improve and / or modify the technical features of its products, without obligation to do the same with those products already sold and without prior knowledge of the dealer or the consumer.

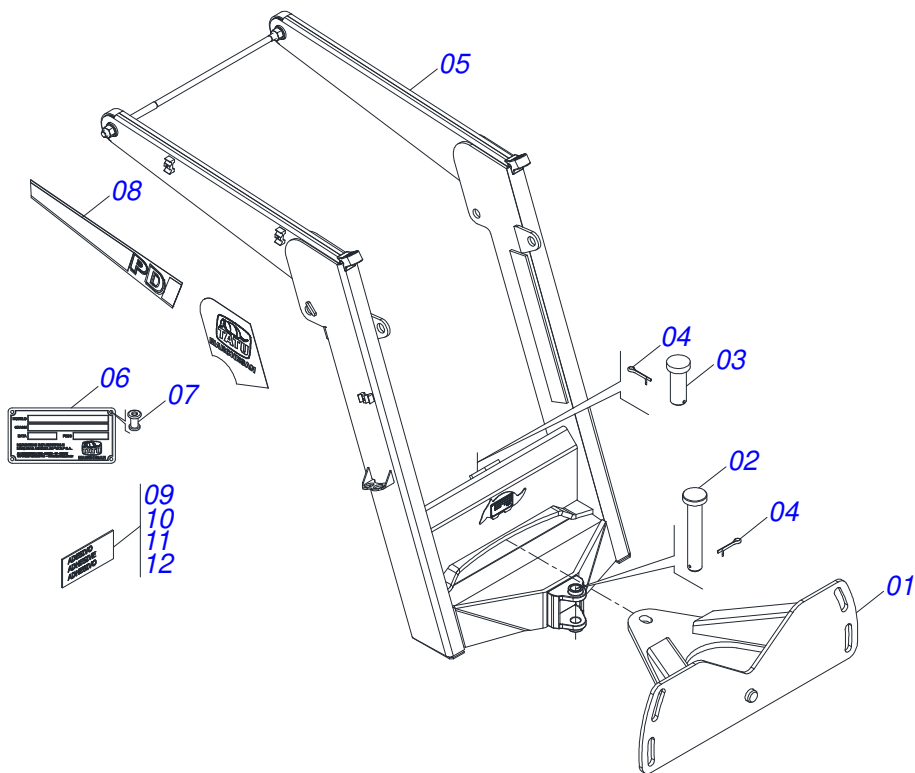


INDEX

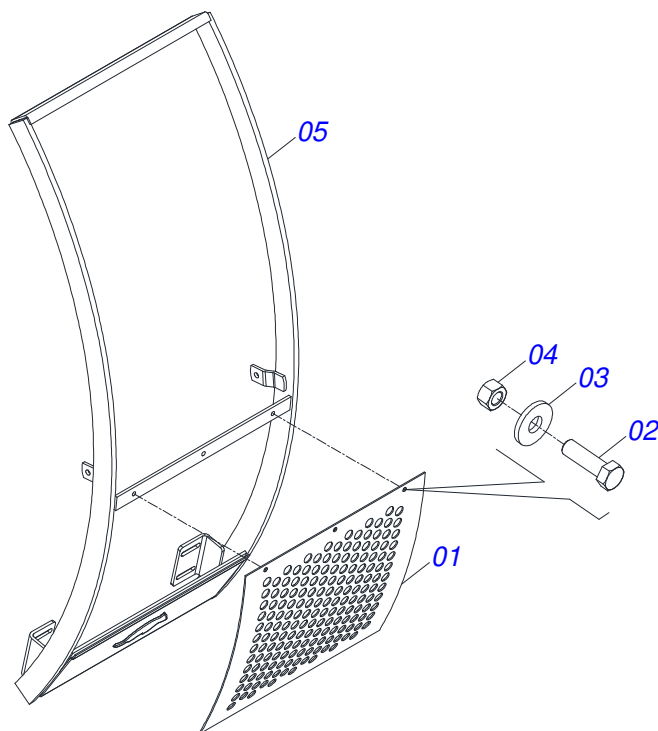
0106020358	PD VTR BM 100-4 BT SC GAL	1
0521040730	MOBILE SUPPORT ASSY	2
0511049956	MOBILE SUPPORT GUIDE ASSY	3
0501047708	2400 BLADE SUPPORT	4
0511023035	COMPONENT BOX	5
0511058448	HYDRAULIC CYLINDER	6
0511058450	HYDRAULIC CYLINDER	7
0909095911	HYDRAULIC CIRCUIT	8
0501041427	1.1/4" NC X 1540 ASSY ROD	9
0501041849	FULL 1.1/4" NC X 910 ROD	10
0501036515	PACKED PARTS	11
0501053834	MALE QUICK COUPLER WITH CAP - 1/2 NPT	12



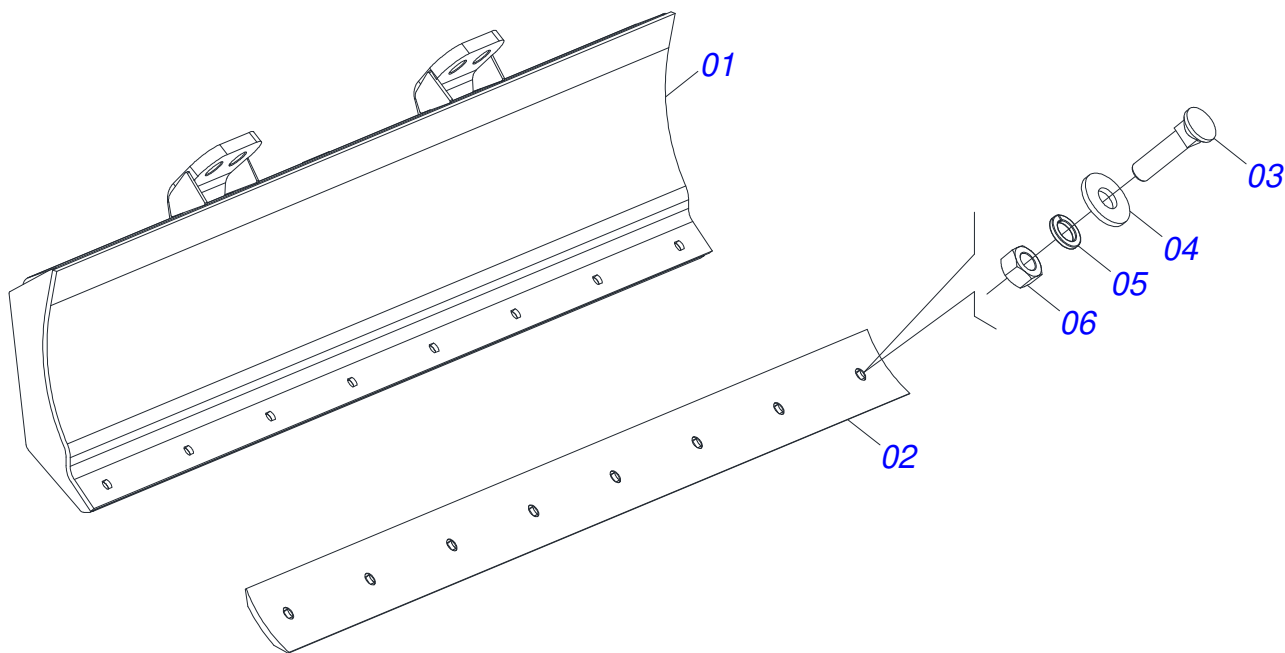
Item	Code	Description	See page	QT
01	0511069404	RIGHT FRAME		01
02	0521040730	MOBILE SUPPORT ASSY	2	01
03	0511049956	MOBILE SUPPORT GUIDE ASSY	3	01
04	0501047708	2400 BLADE SUPPORT	4	01
05	0511023035	COMPONENT BOX	5	01
06	0511069405	LH FRAME		01



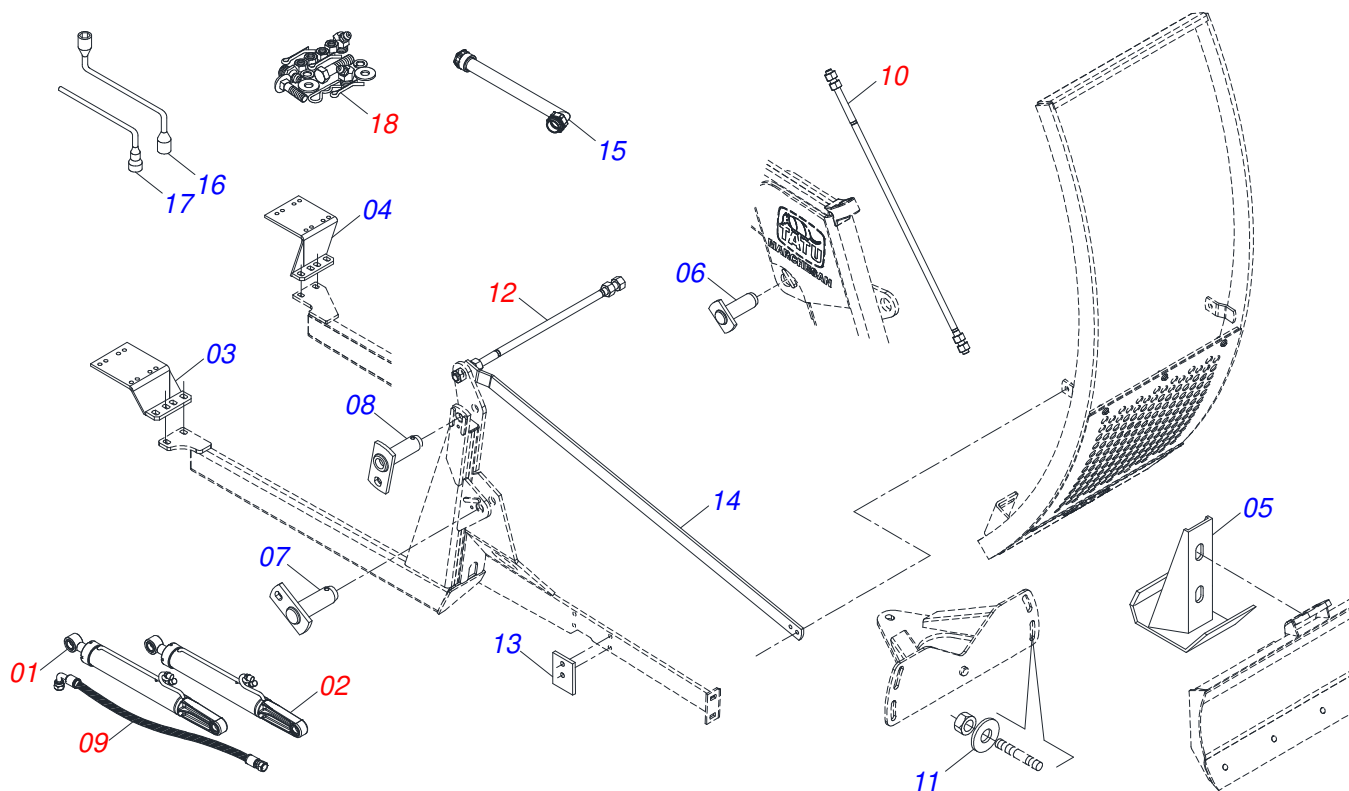
Item	Code	Description	See page	QT
01	0501062637	5/8" REGULATOR SUPPORT		01
02	0521010618	1.4" X 8.6" COUPLING SHAFT		01
03	0521010612	1.4" X 3.5" COUPLING SHAFT		01
04	0503010010	1/4" X 2.1/2" COTTERPIN		02
05	0521062944	MOBILE SUPPORT PD JD 6300		01
06	0503034003	SERIAL NUMBER TAG 61 X 118		01
07	0503010001	3.2 X 5.5 RIVET		04
08	0503062270	SET LABEL ADHESIVE		01
09	0503031428	READ MANUAL DECAL		01
10	0503031827	LUBRICATE AND RETIGHTEN DAILY DECAL		01
11	0503034078	LIFTING POINTS DECAL		03
12	0503031087	ADHESIVE LABEL		01



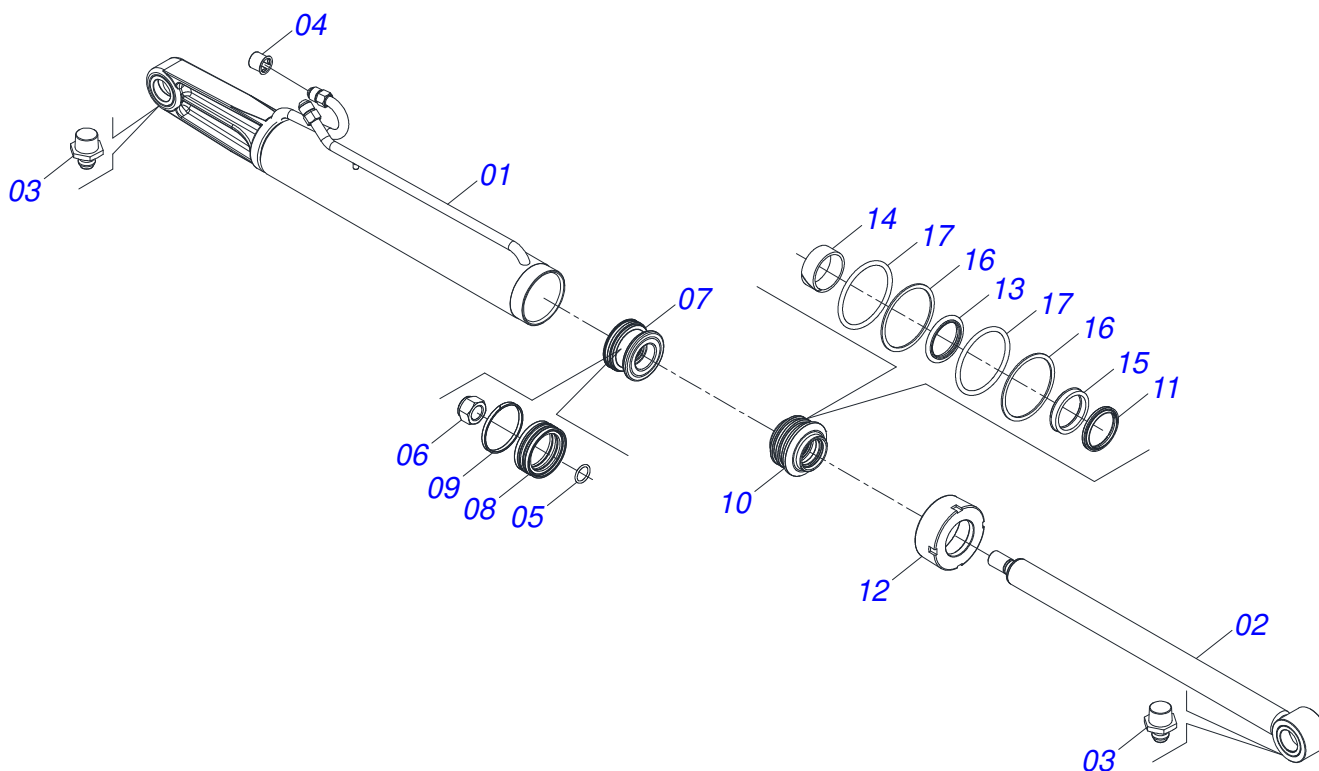
Item	Code	Description	See page	QT
01	0501017431	FRONT PROTECTION		01
02	0503010751	C3/8" X 1.1/4" HEX BOLT G.5		03
03	0501010984	FLAT WASHER		03
04	0503010026	3/8" NUT		03
05	0521062696	GUIDE SUPPORT MOBILE		01



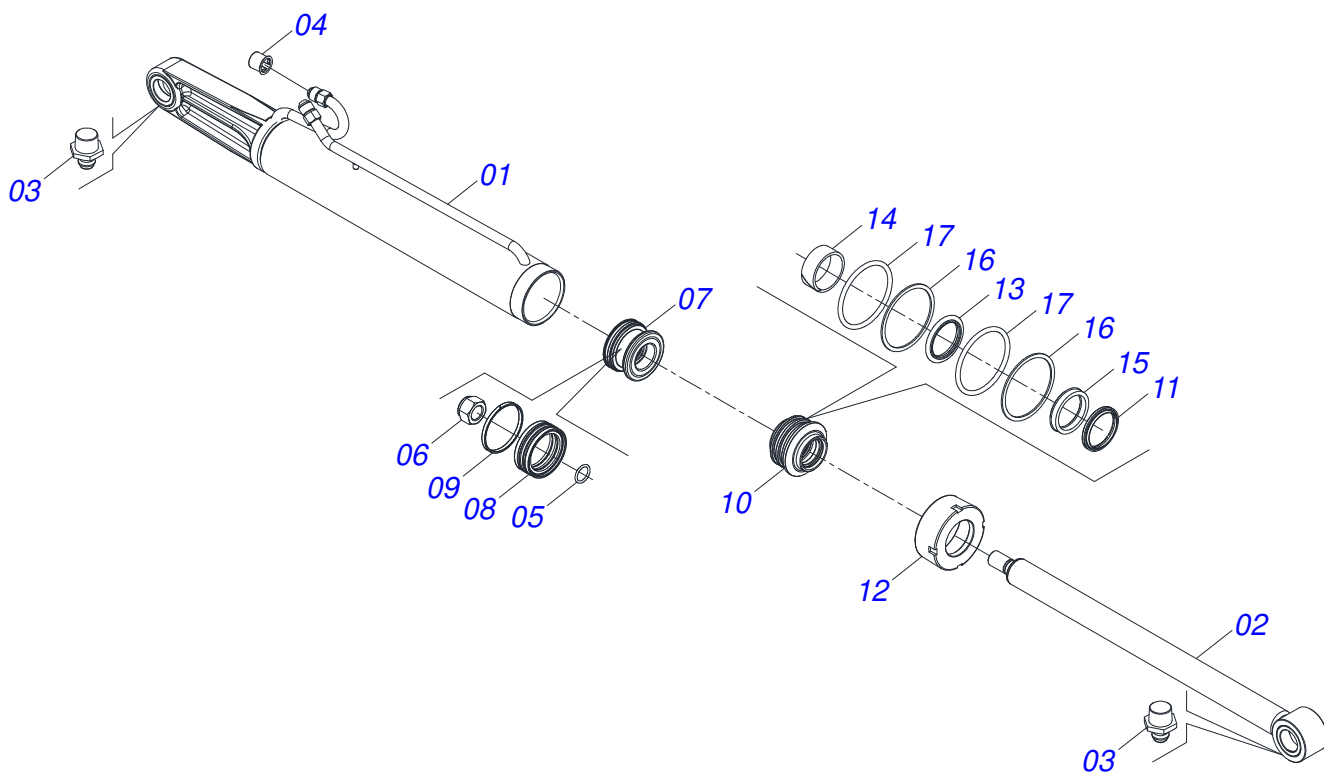
Item	Code	Description	See page	QT
01	0501067999	2390 BLADE SUPPORT		01
02	0622360016	94.5" SCRAPER REVERSIBLE		01
03	0501012240	BOLT		08
04	0501012140	FLAT WASHER		08
05	0503011445	SPRING WASHER		08
06	0503010013	5/8" NUT		08



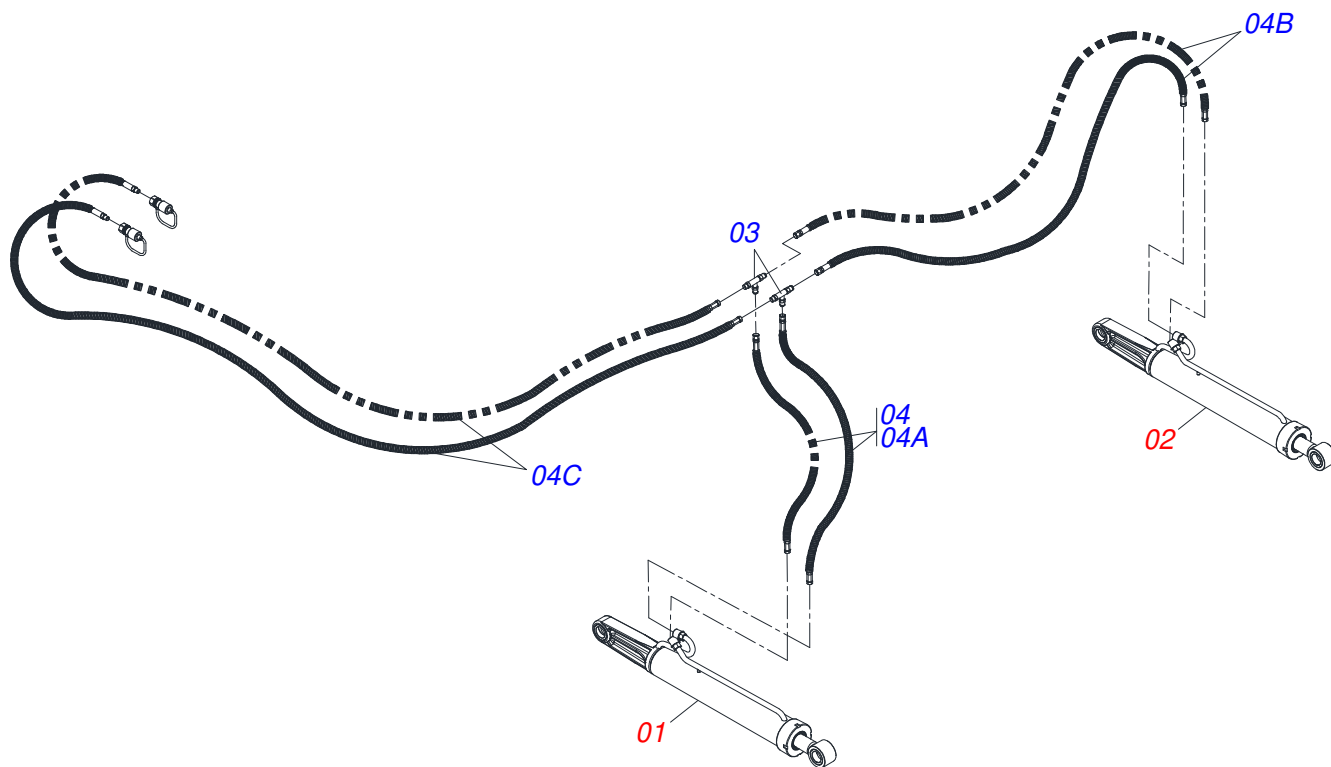
Item	Code	Description	See page	QT
01	0511058448	HYDRAULIC CYLINDER	6	01
02	0511058450	HYDRAULIC CYLINDER	7	01
03	0501063145	RH FRAME BRACKET		01
04	0501063146	LH FRAME BRACKET		01
05	0501063411	ESTABILIZER BRACKET		02
06	0521063354	COUPLING SHAFT		02
07	0501063959	PIVOT SHAFT		02
08	0501063751	1.5" X 5.5" PIVOT SHAFT		02
09	0909095911	HYDRAULIC CIRCUIT	8	01
10	0501041427	1.1/4" NC X 1540 ASSY ROD	9	02
11	0501010574	FLAT WASHER		04
12	0501041849	FULL 1.1/4" NC X 910 ROD	10	01
13	0531014070	BEATER BM VTR		02
14	0511016419	FRENCH LEFT HAND		02
15	0501058037	TANK MOUTH EXTENSION		01
16	0501068213	5/8" WRENCH DOUBLE		01
17	0501061617	1" GANG BOLT WRENCH		01
18	0501036515	PACKED PARTS	11	01



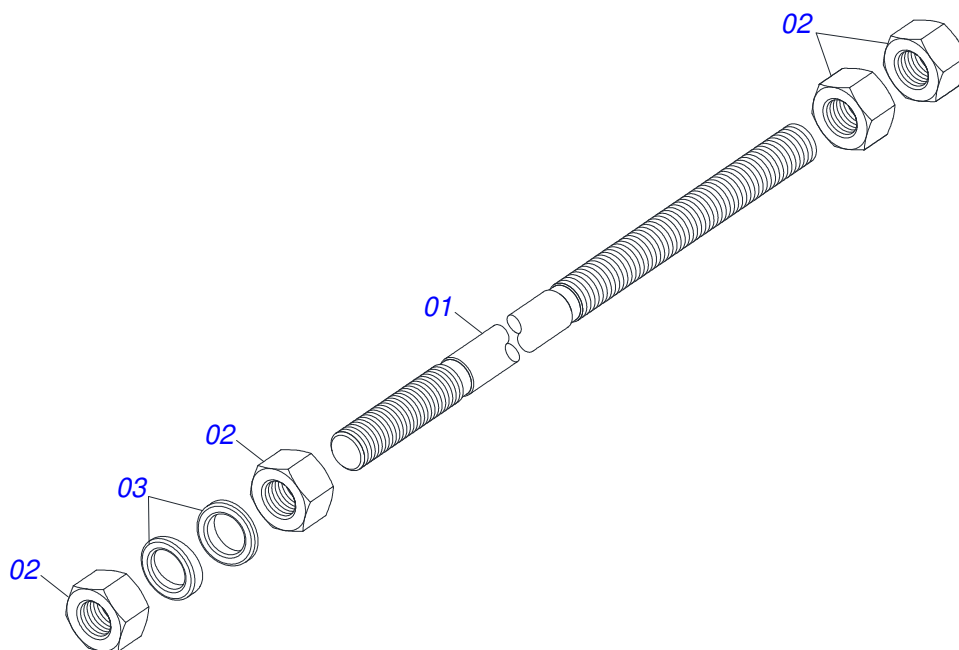
Item	Code	Description	See page	QT
01	0501069000	85,7" X 483" BODY RIGHT		01
02	0501069048	44,45 X 648 TURNBUCLE		01
03	0503010002	1800 GREASE FITTING		02
04	0503030387	PLUG		02
05	0503010042	2-214 N 3006-9B O'RING		01
06	0503010063	1" SELF-ALIGNING NUT		01
07	0571019710	1.7" X 3.4" PISTON		01
08	0503017935	RING		01
09	0503018144	RING		01
10	0571019711	RING SUPPORT		01
11	0503010761	D-1750 SCRAPER RING		01
12	0571019709	DETACHABLE COVER		01
13	0503017936	RING		01
14	0503017938	RING GUIDE		01
15	0503017937	GASKET		01
16	0503017940	8-337 BACK-UP RING		02
17	0503017939	2-337 N 3006-9B O' RING		02



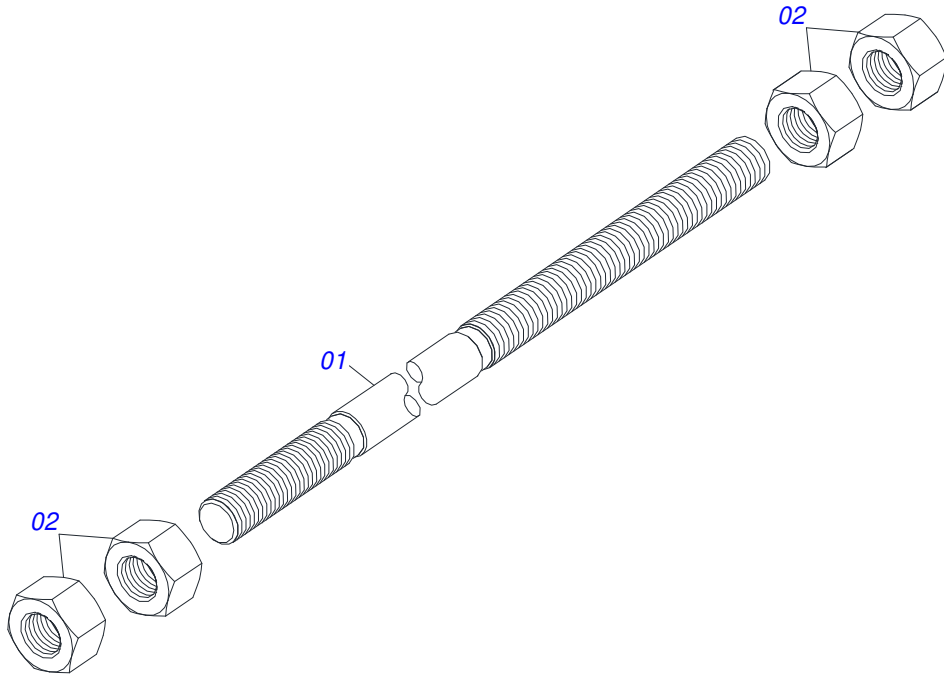
Item	Code	Description	See page	QT
01	0501069001	85,7" X 483" BODY LEFT		01
02	0501069048	44,45 X 648 TURNBUCLE		01
03	0503010002	1800 GREASE FITTING		02
04	0503030387	PLUG		02
05	0503010042	2-214 N 3006-9B O'RING		01
06	0503010063	1" SELF-ALIGNING NUT		01
07	0571019710	1.7" X 3.4" PISTON		01
08	0503017935	RING		01
09	0503018144	RING		01
10	0571019711	RING SUPPORT		01
11	0503010761	D-1750 SCRAPER RING		01
12	0571019709	DETACHABLE COVER		01
13	0503017936	RING		01
14	0503017938	RING GUIDE		01
15	0503017937	GASKET		01
16	0503017940	8-337 BACK-UP RING		02
17	0503017939	2-337 N 3006-9B O' RING		02



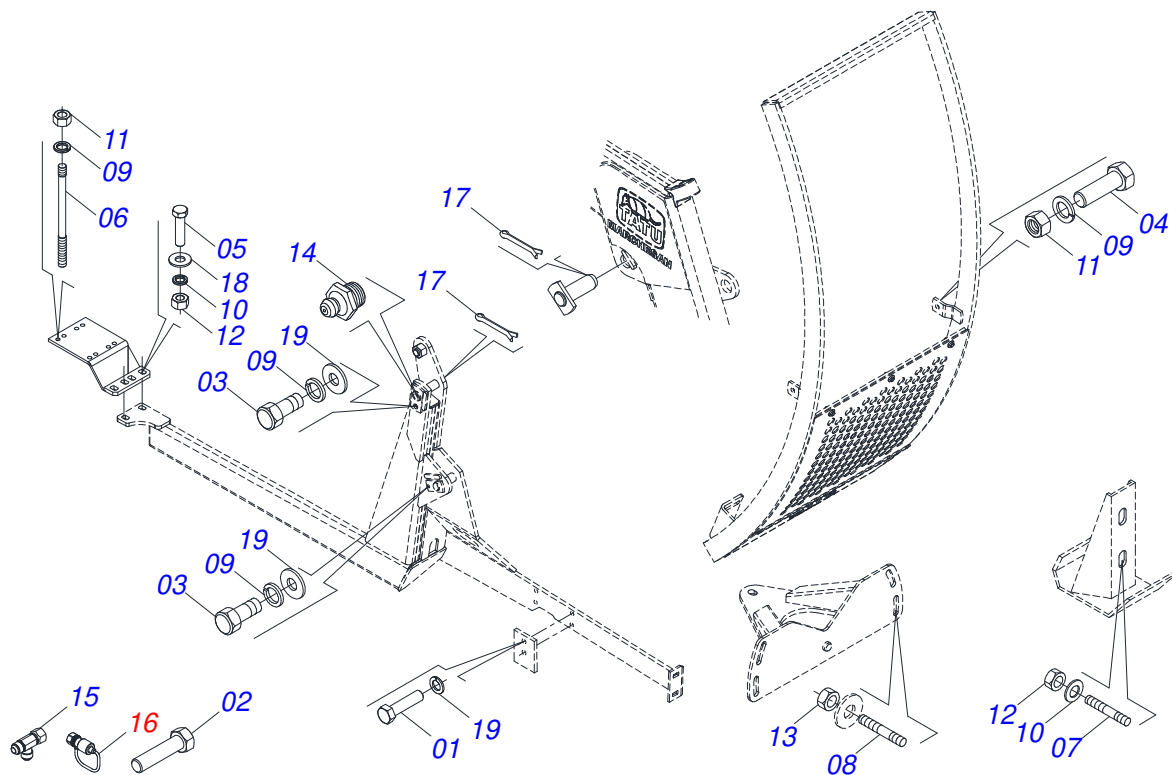
Item	Code	Description	See page	QT
01	0511058448	HYDRAULIC CYLINDER	6	01
02	0511058450	HYDRAULIC CYLINDER	7	01
03	0503013493	T CONNECTION MALE		01
04	0521054517	HOSE ASSY		02
04A	0501080103	1/2" X 47" TR-TR HOSE		02
04B	0501080174	1/2" X 74.78" TR-TR HOSE ASSY		02
04C	0501080110	HOSE 1/2 X 3100		02



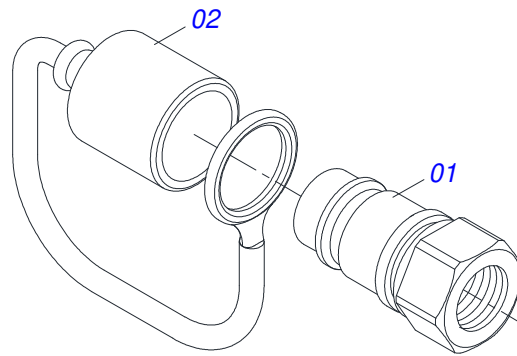
Item	Code	Description	See page	QT
01	0501014250	1.1/4" X 1540 ROD		01
02	0501010087	1.1/4" NUT		04
03	0502012180	CONICAL SPRING WASHER		02



Item	Code	Description	See page	QT
01	0501014914	1.1/4" X 910 ROD		01
02	0501010087	1.1/4" NUT		04



Item	Code	Description	See page	QT
01	0503013378	M16 X 2 X 50 BOLT		10
02	0503011730	M16 X 2 X 60 BOLT		04
03	0503010962	5/8" X 1-1/4" BOLT		04
04	0501010100	SCREW 5/8 UNC X 2 CS G.5 ZN		06
05	0501010500	3/4"X3"BOLT		04
06	0501011426	5/8" X 5/8" X 9.45" STUD		08
07	0561016756	3/4 UNC X 3/4 UNC X 56 PRISONER		04
08	0561016755	PRISONER 1 UNC X 1 UNC X 76 ZN		04
09	0503010027	5/8" SPRING WASHER		40
10	0503010023	3/4" SPRING WASHER		04
11	0503010013	5/8" NUT		22
12	0503010014	3/4" NUT		08
13	0501010059	1.5/8 NUT		04
14	0503010002	1800 GREASE FITTING		06
15	0503013493	T CONNECTION MALE		02
16	0501053834	MALE QUICK COUPLER WITH CAP - 1/2 NPT	12	02
17	0503010534	3/8 X 2-1/2 COTTERPIN		02
18	0501010322	FLAT WASHER		12
19	0501012140	FLAT WASHER		20



Item	Code	Description	See page	QT
01	0503011627	MALE QUICK COUPLER AGR 1/2 NPT		01
02	0503011882	MALE QUICK COUPLER CAP		01



MARCHESAN

Technical Publications | Elaboration and Revision

MARINA PEREZ NIZA

www.marchesan.com.br

