

PD - FRONT LOADER

PD NH T6.110/120/130 CASE 110A BT SC GAL

Code: 0501092975

Series: S-0815

Revision: 00

Date Revision: JUNHO/2021

PARTS CATALOGUE



MARCHESAN



PRODUCTS

Code	Description
0106040347	PD NH T6.110/120/130 CASE 110A BT SC GAL S-0815

ATTENTION: IMPORTANT

Marchesan S.A. reserves the right to improve and / or modify the technical features of its products, without obligation to do the same with those products already sold and without prior knowledge of the dealer or the consumer.

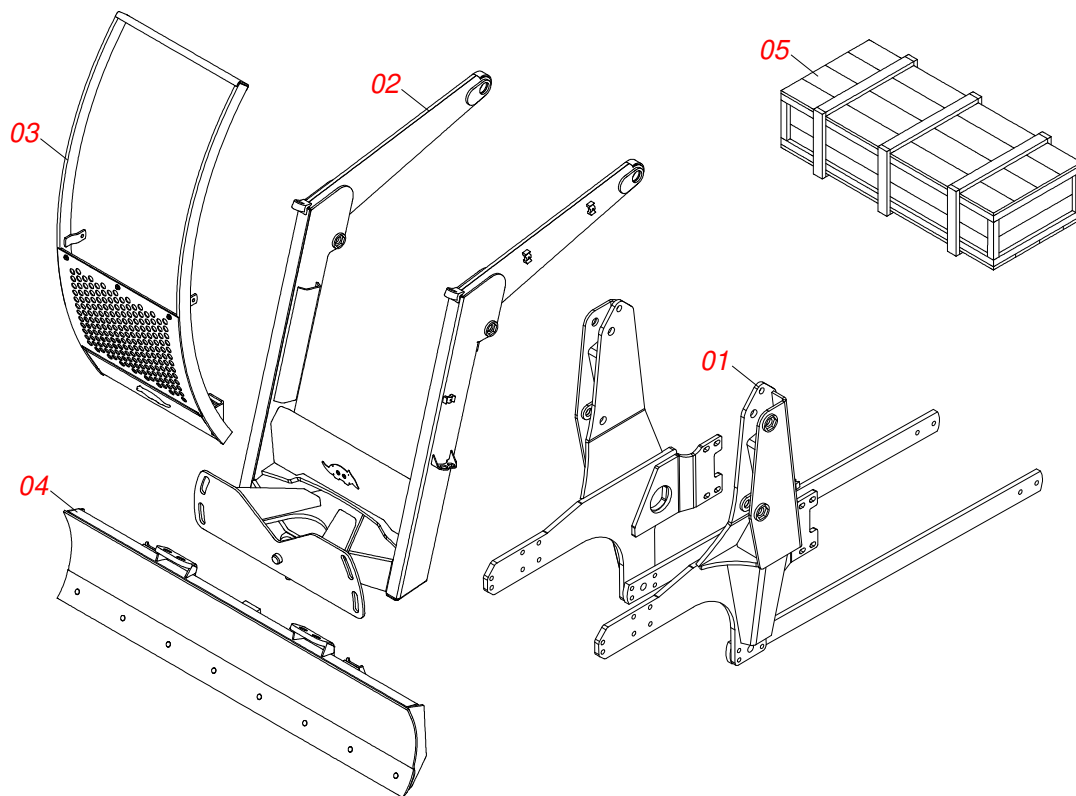


MARCHESAN

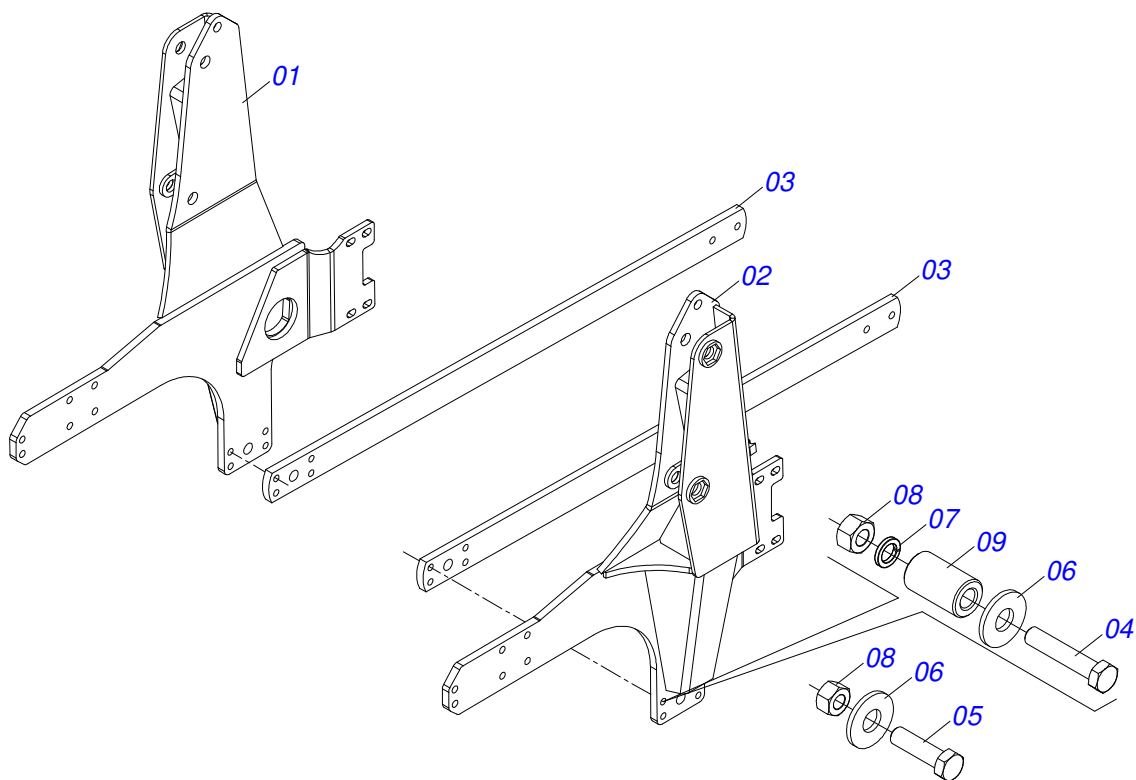
INDEX

0909095821	ASSY FRAME	1
0521045888	FRAME ASSEMBLY WITH REAR BAR	2
0521044202	ASSY MOBILE SUPPORT	3
0501049367	ASSY HIGH MOBILE SUPPORT GUIDE	4
0511047750	2400 SCRAPER ASSY WITH STABILIZER BRACKET	5
0521021893	BOX WITH COMPONENTS	6
0521044193	1.1/4 NC X 1810 FULL ROD	7
0501041652	FULL 1.1/4" X 31.88" ROD ASSY	8
0909095822	HYDRAULIC CIRCUIT	12
0511058404	50,80 X 101,60 X 1155 X 410 HYDRAULIC CYLINDER	13
0511054457	ASSY SAFETY VALVE	14
0501053834	MALE QUICK COUPLER WITH CAP - 1/2 NPT	15

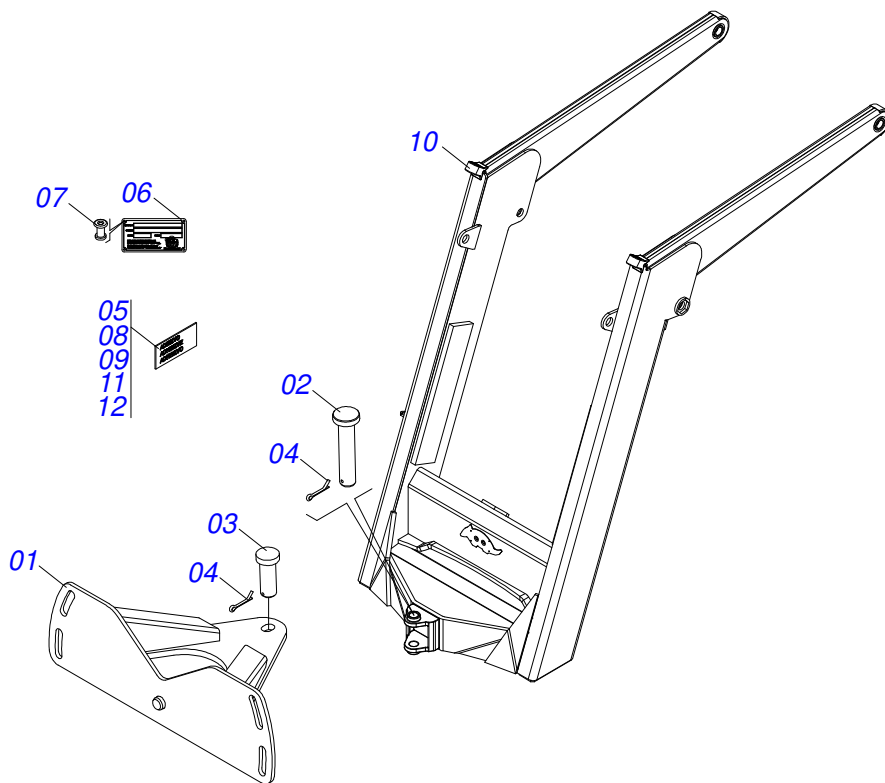
ASSY FRAME



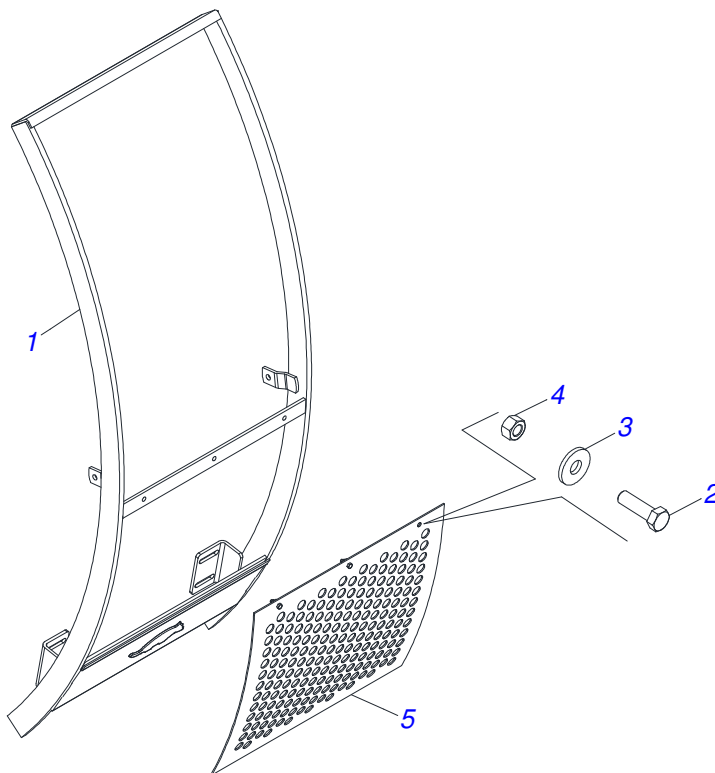
Item	Code	Description	See page	QT
01	0521045888	FRAME ASSEMBLY WITH REAR BAR	2	01
02	0521044202	ASSY MOBILE SUPPORT	3	01
03	0501049367	ASSY HIGH MOBILE SUPPORT GUIDE	4	01
04	0511047750	2400 SCRAPER ASSY WITH STABILIZER BRACKET	5	01
05	0521021893	BOX WITH COMPONENTS	6	01



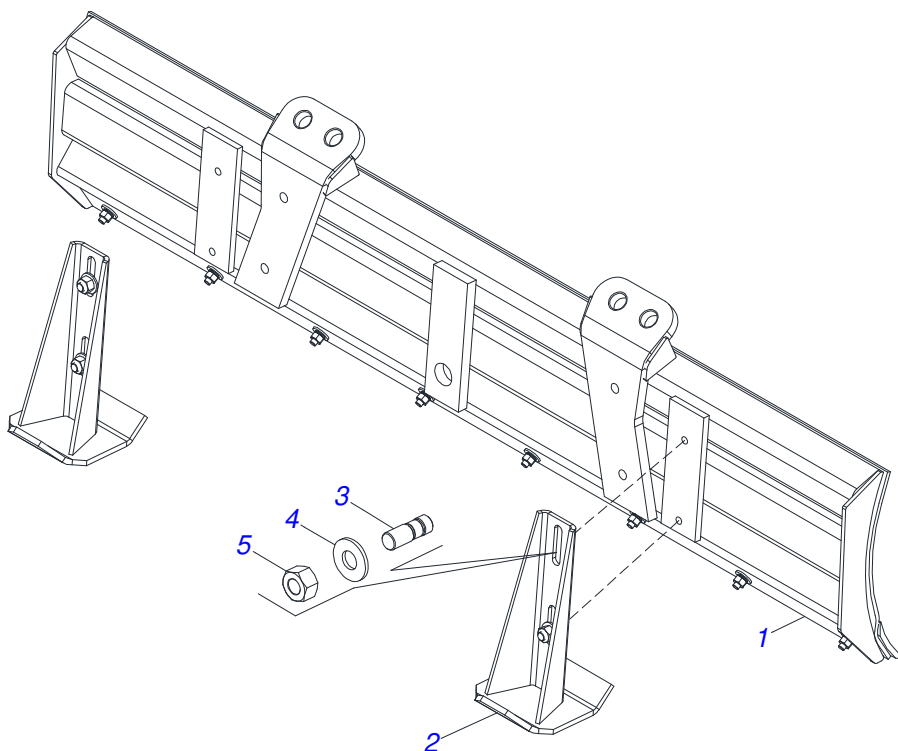
Item	Code	Description	See page	QT
01	0521066415	RIGHT FRAME		01
02	0521066416	LEFT FRAME		01
03	0581010145	REAR BAR RIGHT FRAME		02
04	0503011084	3/4" X 5" BOLT		04
05	0501010500	3/4"X3"BOLT		02
06	0501010322	FLAT WASHER		06
07	0503010023	3/4" SPRING WASHER		04
08	0503010014	3/4" NUT		06
09	0581015170	SLEEVE		04



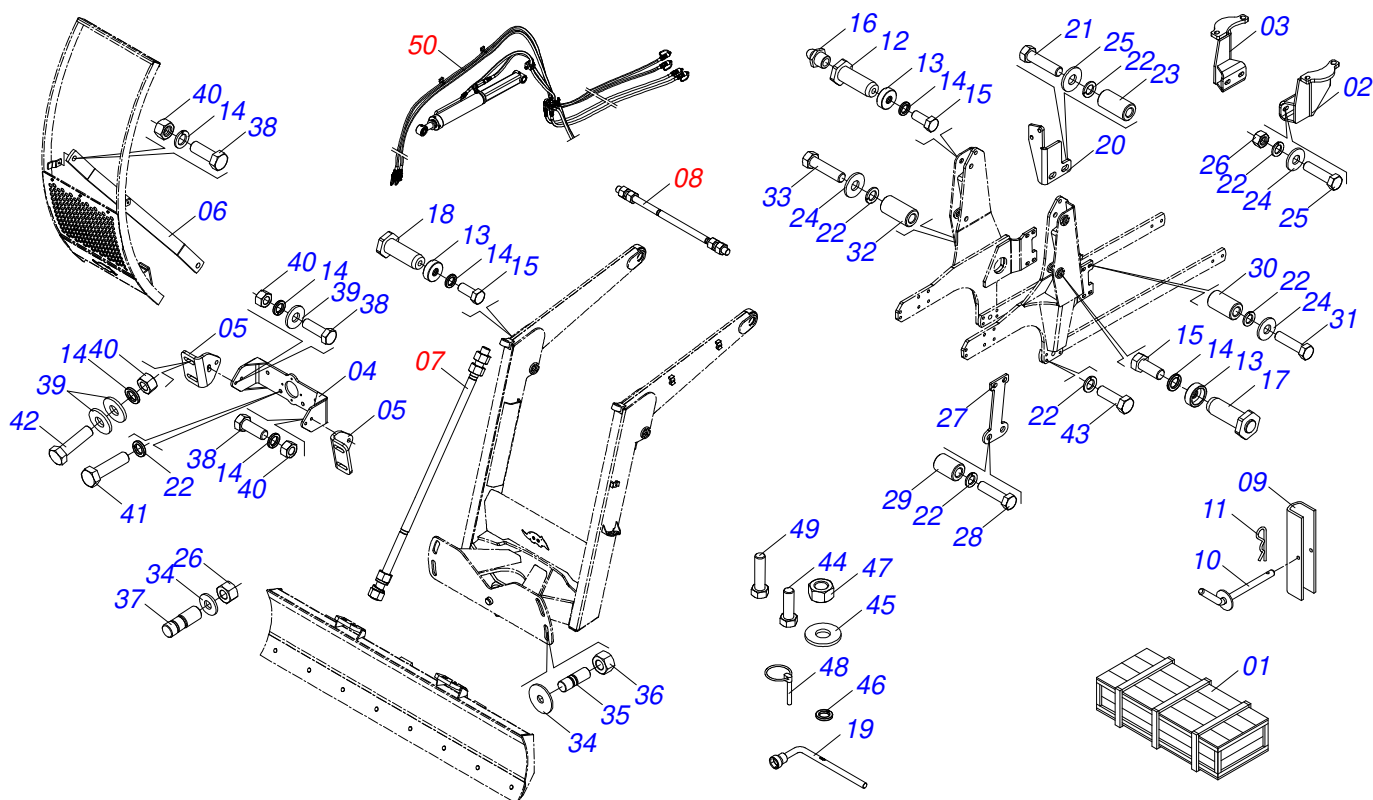
Item	Code	Description	See page	QT
01	0501062637	5/8" REGULATOR SUPPORT		01
02	0521010618	1.4" X 8.6" COUPLING SHAFT		01
03	0521010612	1.4" X 3.5" COUPLING SHAFT		01
04	0503010010	1/4" X 2.1/2" COTTERPIN		02
05	0503062270	SET LABEL ADHESIVE		01
06	0503034003	SERIAL NUMBER TAG 61 X 118		01
07	0503010001	3.2 X 5.5 RIVET		04
08	0503031428	READ MANUAL DECAL		01
09	0503031827	LUBRICATE AND RETIGHTEN DAILY DECAL		01
10	0521064880	MOBILE SUPPORT - NH T7.175		01
11	0503034078	LIFTING POINTS DECAL		03
12	0503031087	ADHESIVE LABEL		01



Item	Code	Description	See page	QT
01	0511061956	MOBILE SUPPORT GUIDE ASSY		01
02	0503010751	C3/8" X 1.1/4" HEX BOLT G.5		03
03	0501010984	FLAT WASHER		03
04	0503010026	3/8" NUT		03
05	0501014687	FRONT PROTECTION		01



Item	Code	Description	See page	QT
01	0501047708	2400 BLADE SUPPORT		01
02	0501063411	ESTABILIZER BRACKET		02
03	0561016756	3/4 UNC X 3/4 UNC X 56 PRISONER		04
04	0501010322	FLAT WASHER		04
05	0503010014	3/4" NUT		04



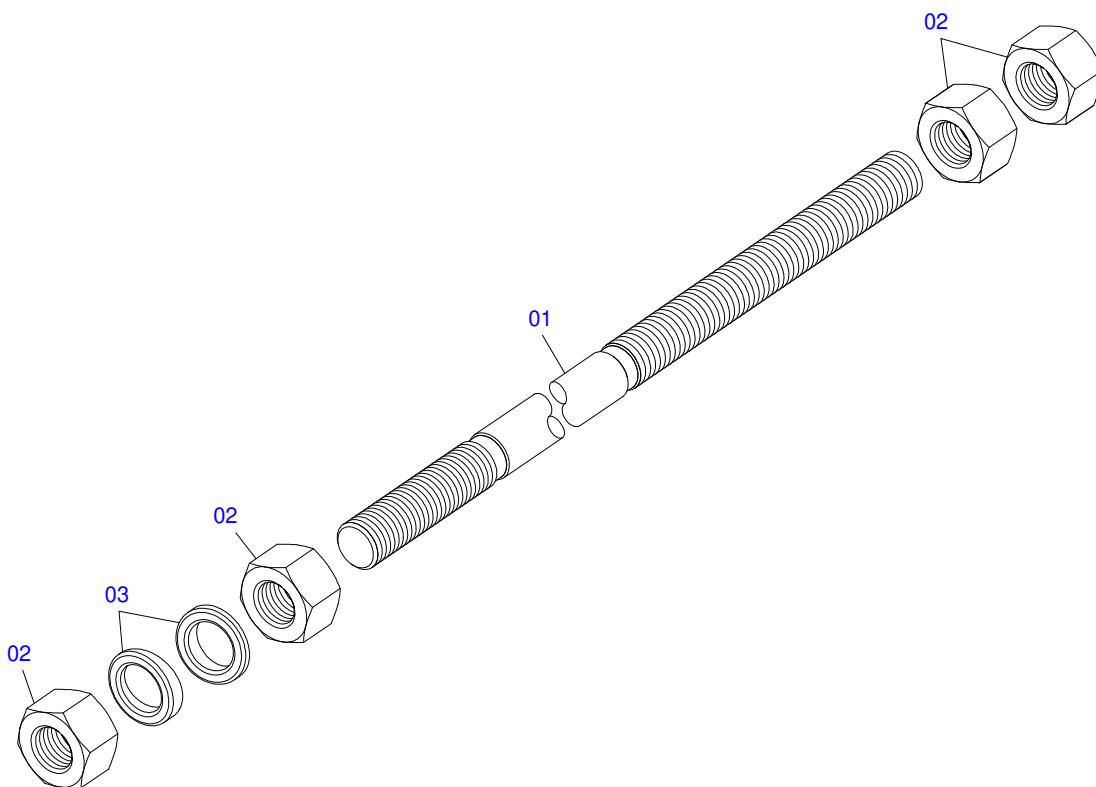
Item	Code	Description	See page	QT
01	0501100007	BOX WOOD 2150X400X440		01
02	0521066398	LEFT REAR SHOE		01
03	0521066397	RIGHT REAR SHOE		01
04	0521064897	PUMP SUPPORT		01
05	0571014003	FASTENING BRACKET OF THE HIGH GUIDE		02
06	0501010626	FRENCH HAND		02
07	0521044193	1.1/4 NC X 1810 FULL ROD	7	02
08	0501041652	FULL 1.1/4" X 31.88" ROD ASSY	8	01
09	0551010280	253 TRANSPORT LOCK		02
10	0501068994	0.3" X 3.1" LOCK PIN		02
11	0503030012	HAIR PIN		02
12	0521064889	37,20 X138 COUPLING SHAFT WITH GREASE FITTING		02
13	0571016052	LOCKING WASHER OF THE JOINT SHAFT		06
14	0503010027	5/8" SPRING WASHER		10
15	0503010962	5/8" X 1-1/4" BOLT		06
16	0503010002	1800 GREASE FITTING		02
17	0521064888	AXIS JUNCTION 37,20X138		02
18	0521064887	AXIS JUNCTION 37,20X120		02
19	0501061617	1" GANG BOLT WRENCH		01
20	0571018365	SUPORTE EXHAUST		01
21	0503013365	M20 X 2,5 X 140 BOLT		02
22	0503010023	3/4" SPRING WASHER		40
23	0571018374	SLEEVE		04
24	0501010322	FLAT WASHER		18
25	0501010500	3/4"X3"BOLT		16
26	0503010014	3/4" NUT		16
27	0571018369	SUPPORT		01
28	0503013090	M20 X 2,5 X 100 BOLT		02
29	0571018371	SLEEVE		04
30	0571018372	SLEEVE		04
31	0503013103	M20 X 2,5 X 90 BOLT		02



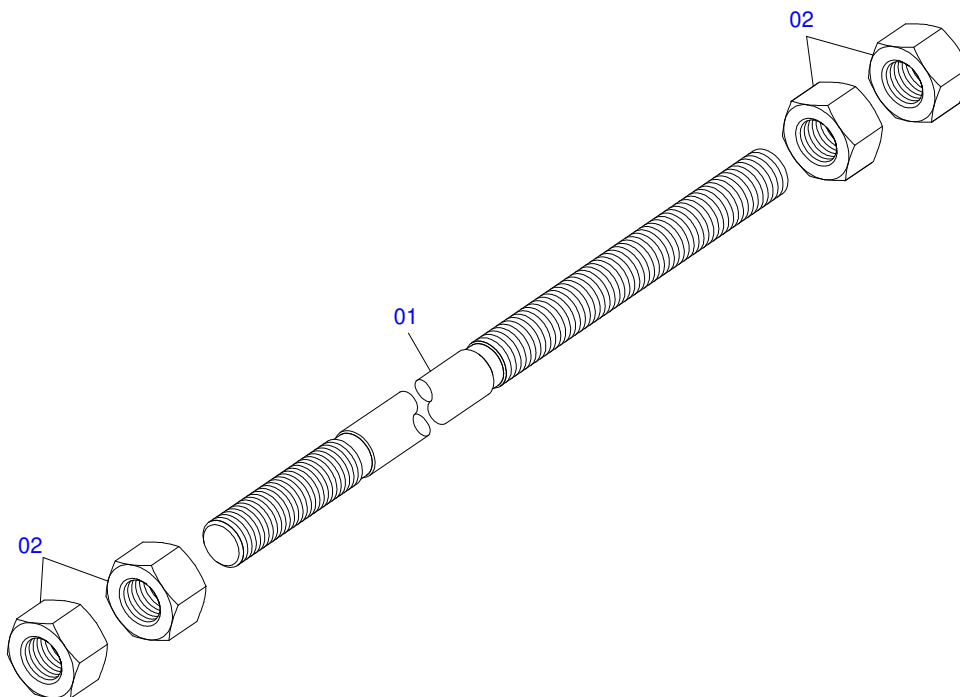
BOX WITH COMPONENTS

0521021893

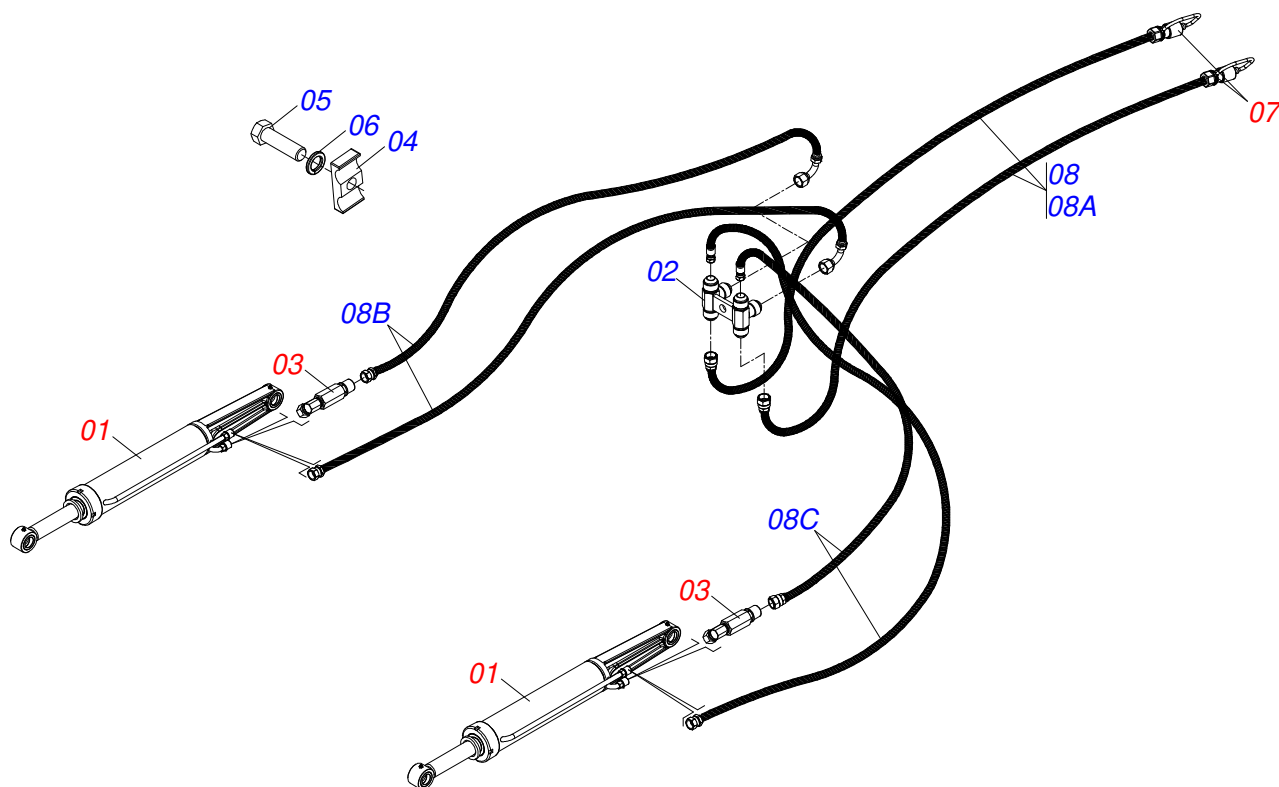
Item	Code	Description	See page	QT
32	0551019342	SLEEVE		04
33	0503014928	M20 X 2,5 X 130 BOLT		02
34	0501010574	FLAT WASHER		04
35	0501010572	1" X 1" X 2.9" STUD		04
36	0501010059	1.5/8 NUT		08
37	0501010571	3/4" X 3/4" X 2.2" STUD		04
38	0501010100	SCREW 5/8 UNC X 2 CS G.5 ZN		06
39	0501012140	FLAT WASHER		10
40	0503010013	5/8" NUT		10
41	0503013629	M20 X 2,5 X 40 C S 8.8 ZN SCREW		04
42	0503011067	5/8" X 2-1/2" BOLT		04
43	0503010920	1/2" X 1.1/2" BOLT		04
44	0501010155	1/2" X 1" BOLT		01
45	0511017302	FLAT WASHER		04
46	0503010019	1/2" SPRING WASHER		04
47	0503010026	3/8" NUT		04
48	0503030430	7/16 X 2" PIN LOCK		02
49	0503012758	M20 X 2,5 X 65 BOLT		12
50	0909095822	HYDRAULIC CIRCUIT	12	01



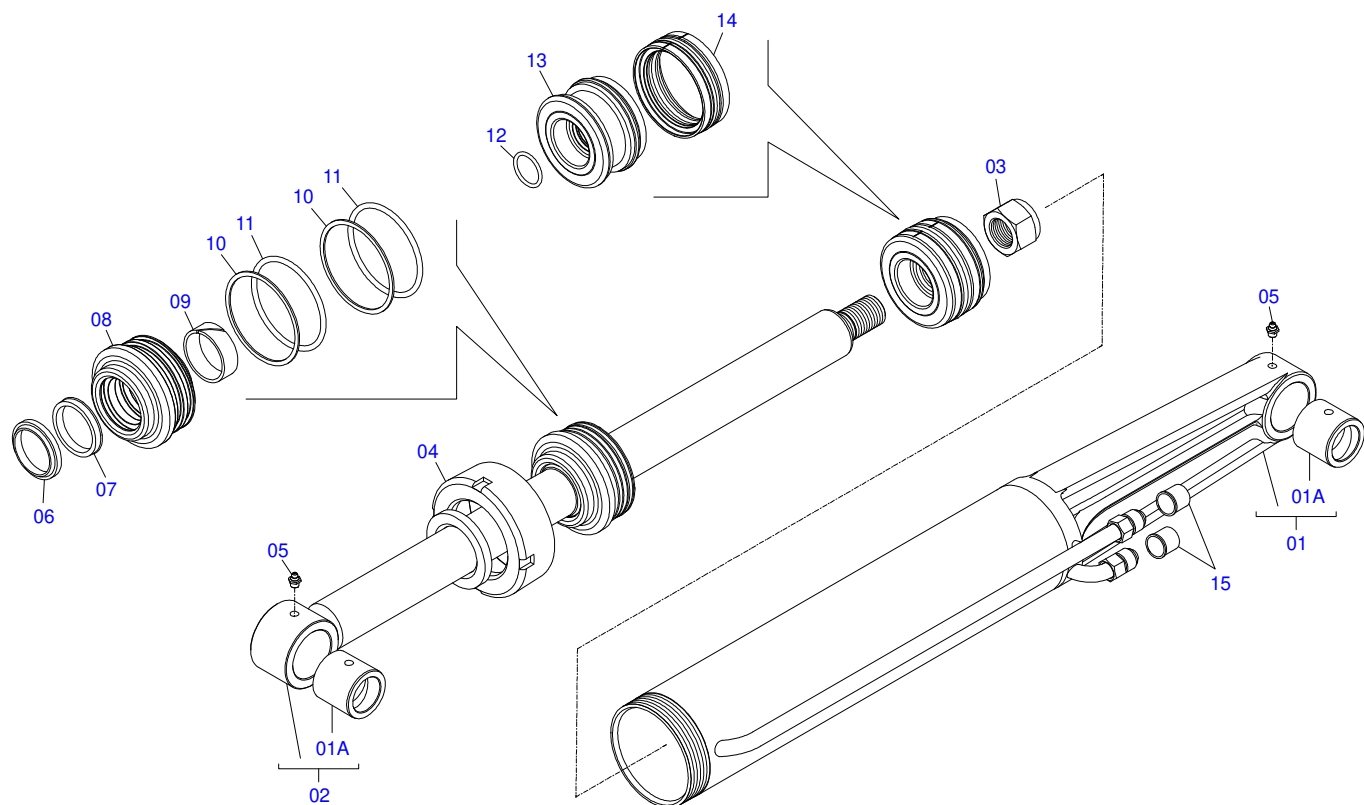
Item	Code	Description	See page	QT
01	0571016063	1.1/4X1810 ROD - PD NH T7.175		01
02	0501010087	1.1/4" NUT		04
03	0502012180	CONICAL SPRING WASHER		02



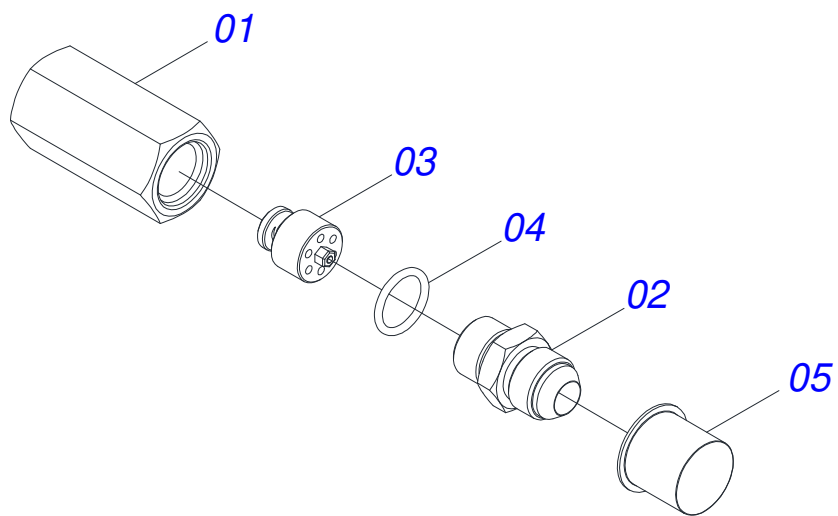
Item	Code	Description	See page	QT
01	0501014916	1.1/4" X 31.88" ROD		01
02	0501010087	1.1/4" NUT		04



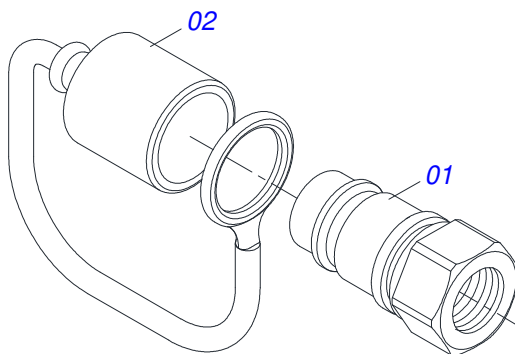
Item	Code	Description	See page	QT
01	0511058404	50,80 X 101,60 X 1155 X 410 HYDRAULIC CYLINDER	13	02
02	0521064869	7/8UNF JIC OIL DISTRIBUTOR		02
03	0511054457	ASSY SAFETY VALVE	14	02
04	0502012702	BODY SUPPORT CLAMP		02
05	0501011534	7/16" X 1-1/4" BOLT		02
06	0503010180	7/16" SPRING WASHER		02
07	0501053834	MALE QUICK COUPLER WITH CAP - 1/2 NPT	15	06
08	0511057932	HOSE LIT		01
08A	0501080014	HOSE		02
08B	0501081859	HOSE 1/2 X 2300 TR-TC		02
08C	0501080183	HOSE 1/2 X 3000 TR-TR		02



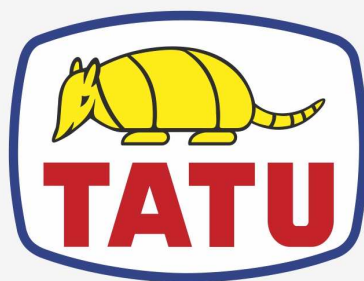
Item	Code	Description	See page	QT
01	0521064879	101,6 X 528 HYDRAULIC CYLINDER BODY		01
01A	0521010514	38,1 X 52,9 X 50 SLEEVE INTER		02
02	0521064878	50,80 X 776,50 EXTENDER		01
03	0503010817	1.1/4" SELF LOCKING NUT		01
04	0502012822	101.60 END CAP		01
05	0503010002	1800 GREASE FITTING		02
06	0503015636	SCRAPER SEAL		01
07	0503018026	1870-2000-375 B GASKET		01
08	0581010678	50,80 X 101 RING SUPPORT		01
09	0503018025	RING GUIDE		01
10	0503011061	8-342 BACK-UP RING		02
11	0503010338	2-342 N 3006-9B O'RING		02
12	0503010345	2-218 N 3006-9B O'RING		01
13	0502012842	50,80 X 101,60 PISTON		01
14	0503015633	SELEMASTER SEALING		01
15	0503030387	PLUG		02



Item	Code	Description	See page	QT
001	0581014053	1/2 BSP X 7/8 UNF JIC X 64 ADAPTER		01
002	0581014052	1/2 BSP X 7/8 UNF JIC X 43 NIPLE		01
003	0503016854	VALVE ASSY		01
004	0503010045	O'RING		01
005	0503030387	PLUG		01



Item	Code	Description	See page	QT
01	0503011627	MALE QUICK COUPLER AGR 1/2 NPT		01
02	0503011882	MALE QUICK COUPLER CAP		01



MARCHESAN

Technical Publications | Elaboration and Revision

ALESSANDRA PATRICIA KAWAHARA CARRILI

www.marchesan.com.br

