

**PD - FRONT LOADER**

## **PCA 800 MF 291-4 ADV SHT CD**

**Code:** 0501092974  
**Series:** S-0608  
**Revision:** 00  
**Date Revision:** SETEMBRO/2021

# **PARTS CATALOGUE**



**MARCHESAN**



# PRODUCTS

Code	Description
0106110922	PCA 800 MF 291-4 ADV SHT CD

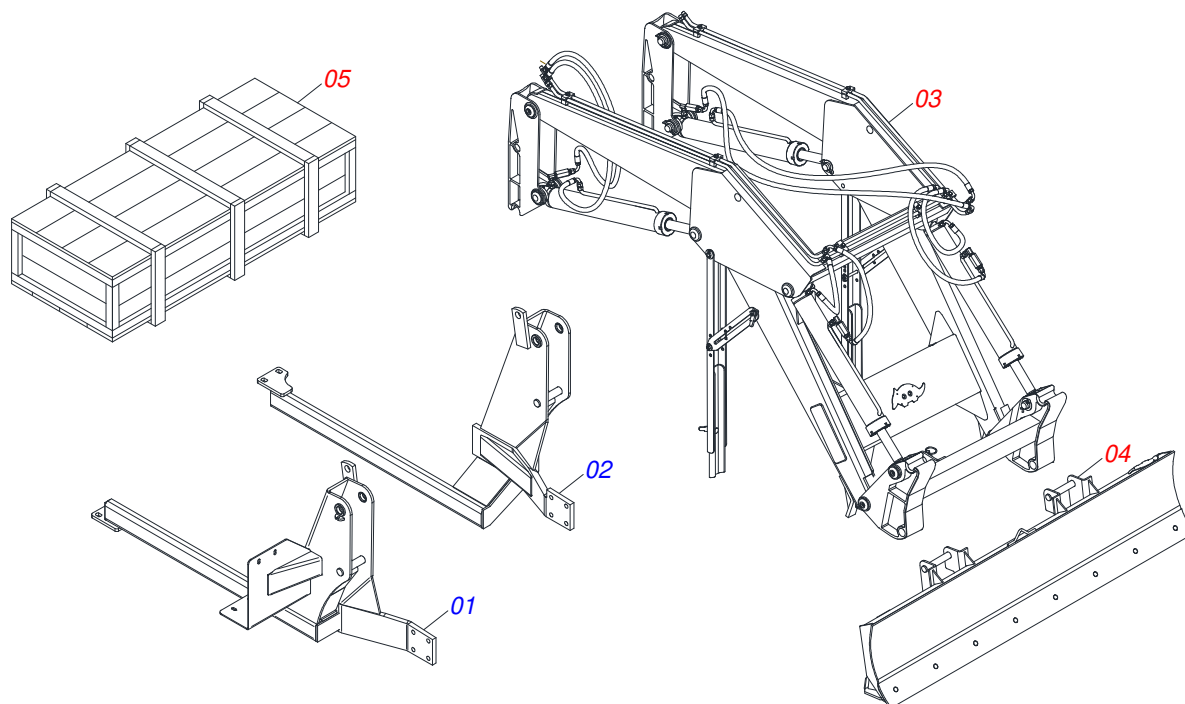
## ATTENTION: IMPORTANT

Marchesan S.A. reserves the right to improve and / or modify the technical features of its products, without obligation to do the same with those products already sold and without prior knowledge of the dealer or the consumer.

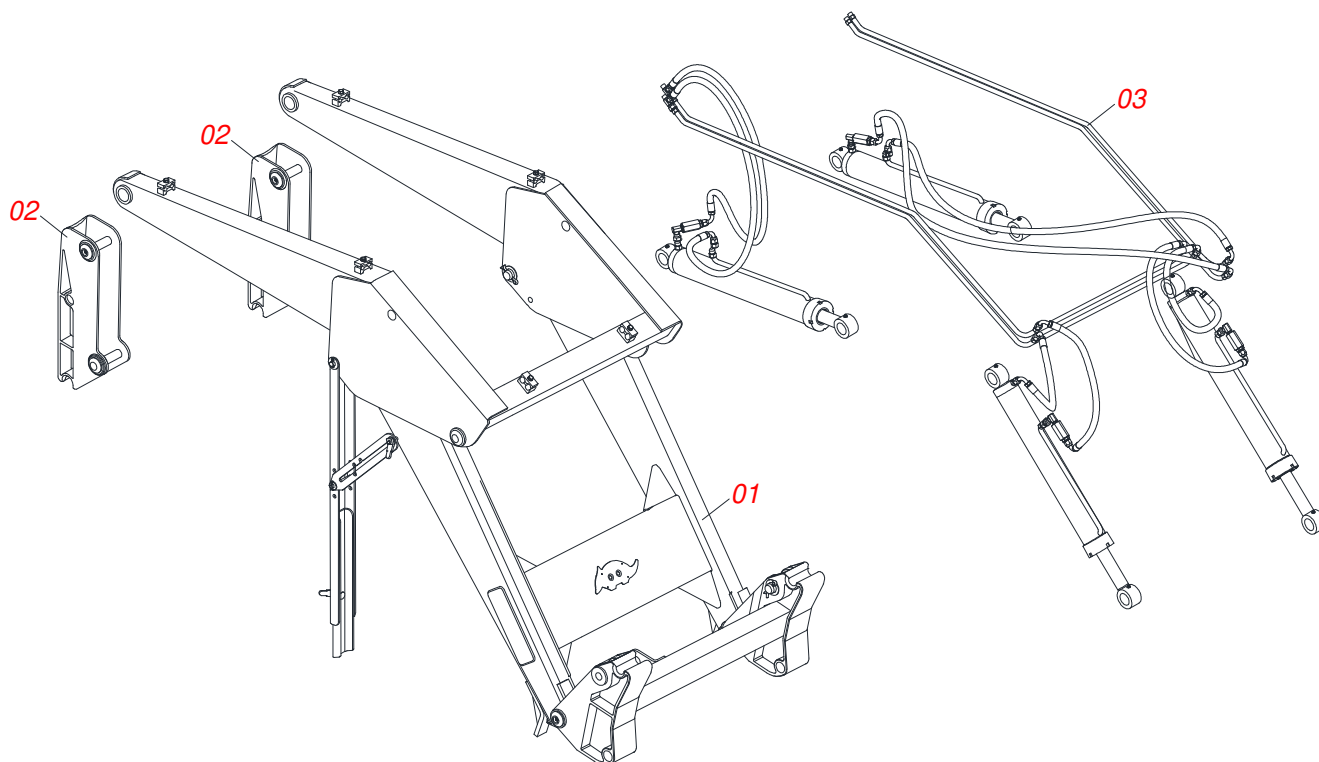


# INDEX

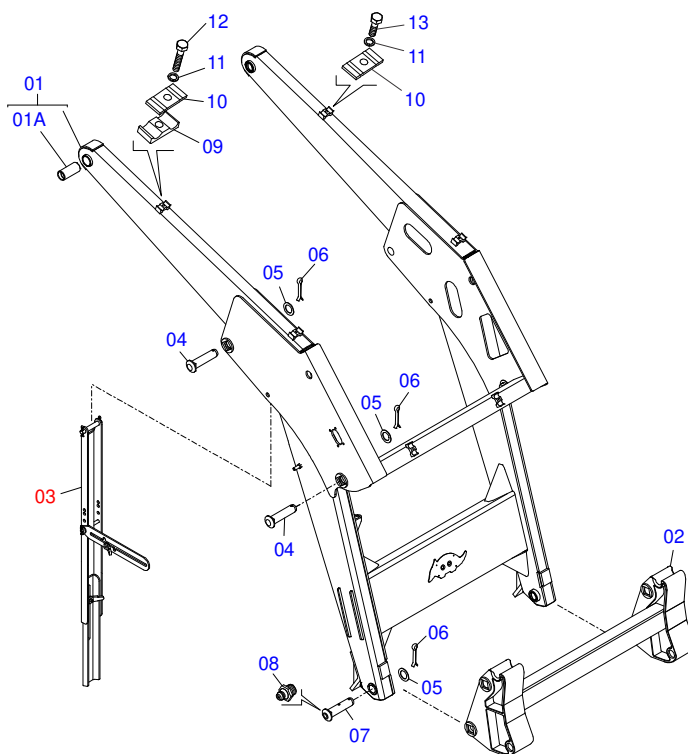
0106110922	PCA 800 MF 291-4 ADV SHT CD	.....	1
0501048062	FULL MOBILE SUPPORT	.....	2
0909092666	MOBILE HOLDER	.....	3
0909094132	MOBILE TOWER	.....	4
0909092665	HYDRAULIC CIRCUIT OF MOBILE SUPPORT	.....	5
0511043382	DOZER BLADE 2400	.....	6
0511024048	COMPONENT BOX	.....	7
0501047575	OIL RESERVOIR ASSY	.....	8
0501059952	DOBLE COMMAND 1/2 HIDROV/DANFOSS ASSY	.....	9
0501048023	CONTROL VALVE	.....	10
0501041108	RETURNING FILTER ASSY	.....	11
0501042819	1.1/4"NC X 33.46" ROD ASSY	.....	12
0501058450	HOSE KIT	.....	13
0501037282	PACKED PARTS	.....	14



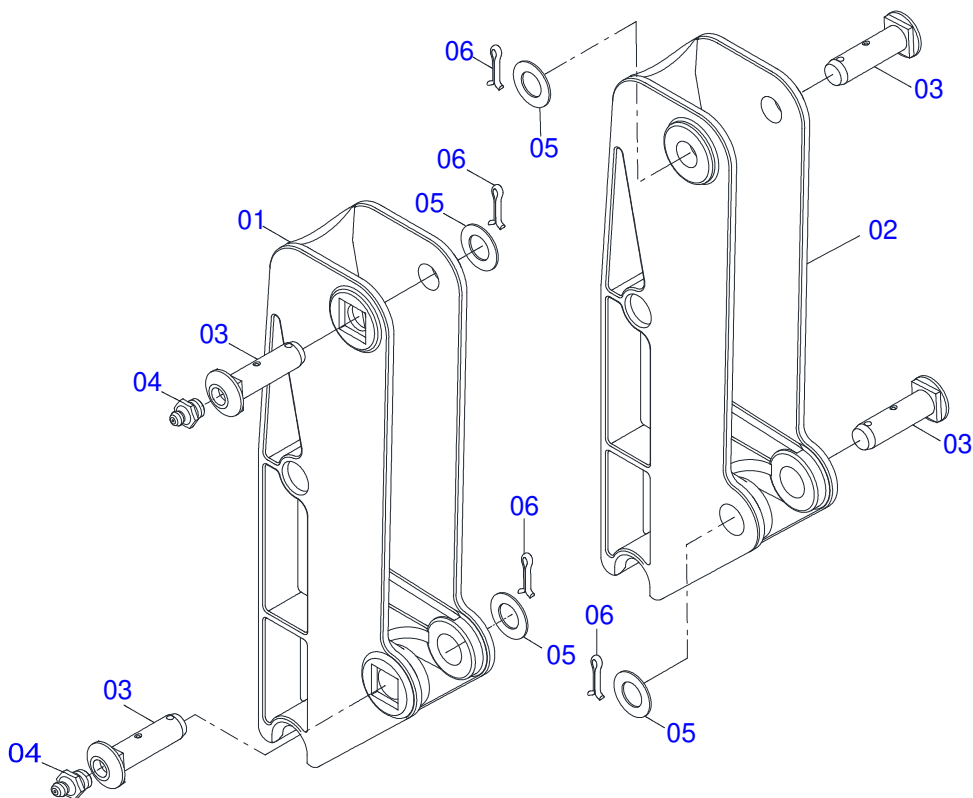
Item	Code	Description	See page	QT
01	0511069932	RIGHT FRAME		01
02	0511069933	LEFT FRAME		01
03	0501048062	FULL MOBILE SUPPORT	2	01
04	0511043382	DOZER BLADE 2400	6	01
05	0511024048	COMPONENT BOX	7	01



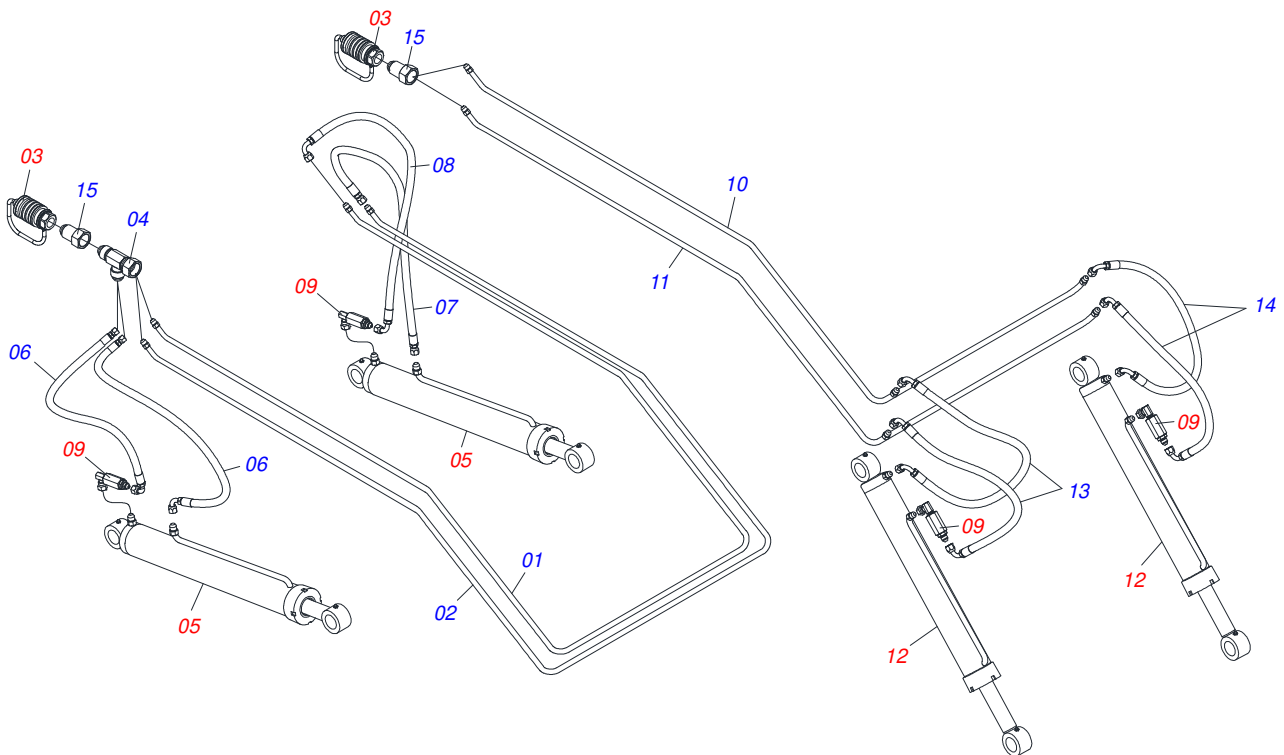
Item	Code	Description	See page	QT
01	0909092666	MOBILE HOLDER	3	01
02	0909094132	MOBILE TOWER	4	01
03	0909092665	HYDRAULIC CIRCUIT OF MOBILE SUPPORT	5	01



Item	Code	Description	See page	QT
01	0501069453	MOBILE SUPPORT		01
01A	0501110286	SLEEVE		04
02	0501069146	JOINT SUPPORT PCA 800		01
03	0909092667	ADJUSTABLE REST OF MOVABLE SUPPORT		02
04	0521012868	1.4" X 5" PIVOT SHAFT		02
05	0511019685	FLAT WASHER		02
06	0503010534	3/8 X 2-1/2 COTTERPIN		06
07	0521012870	1.46" X 6.18" PIVOT SHAFT		02
08	0503010002	1800 GREASE FITTING		02
09	1902010477	UPPER CLAMP BODY		04
10	0531011180	UPPER BODY CLIP		06
11	0503010180	7/16" SPRING WASHER		06
12	0503012555	SCREW 7/16 UNC X 2 CS RT G.7 ZN		04
13	0503011102	BOLT 7/16 UNC X 1.1/4 C S G.5 ZN		02

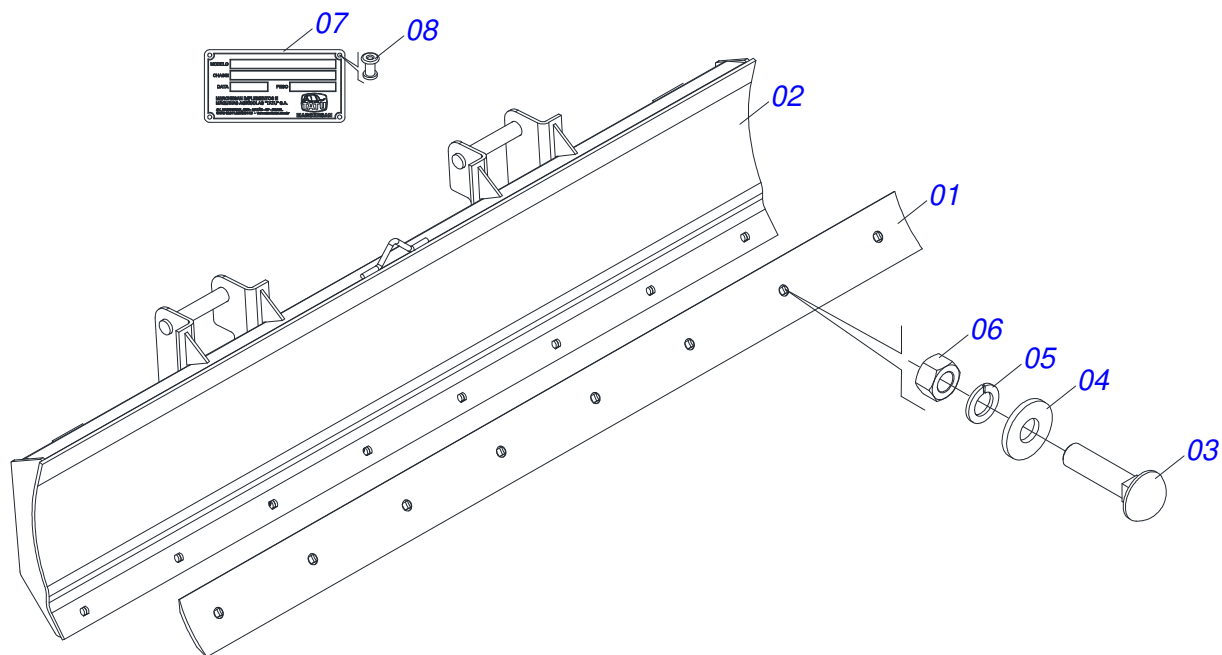


Item	Code	Description	See page	QT
01	0502012472	MOBILE TOWER		01
02	0502012473	LEFT MOBILE TOWER		01
03	0521012870	1.46" X 6.18" PIVOT SHAFT		04
04	0503010002	1800 GREASE FITTING		04
05	0511019685	FLAT WASHER		04
06	0503010534	3/8 X 2-1/2 COTTERPIN		04

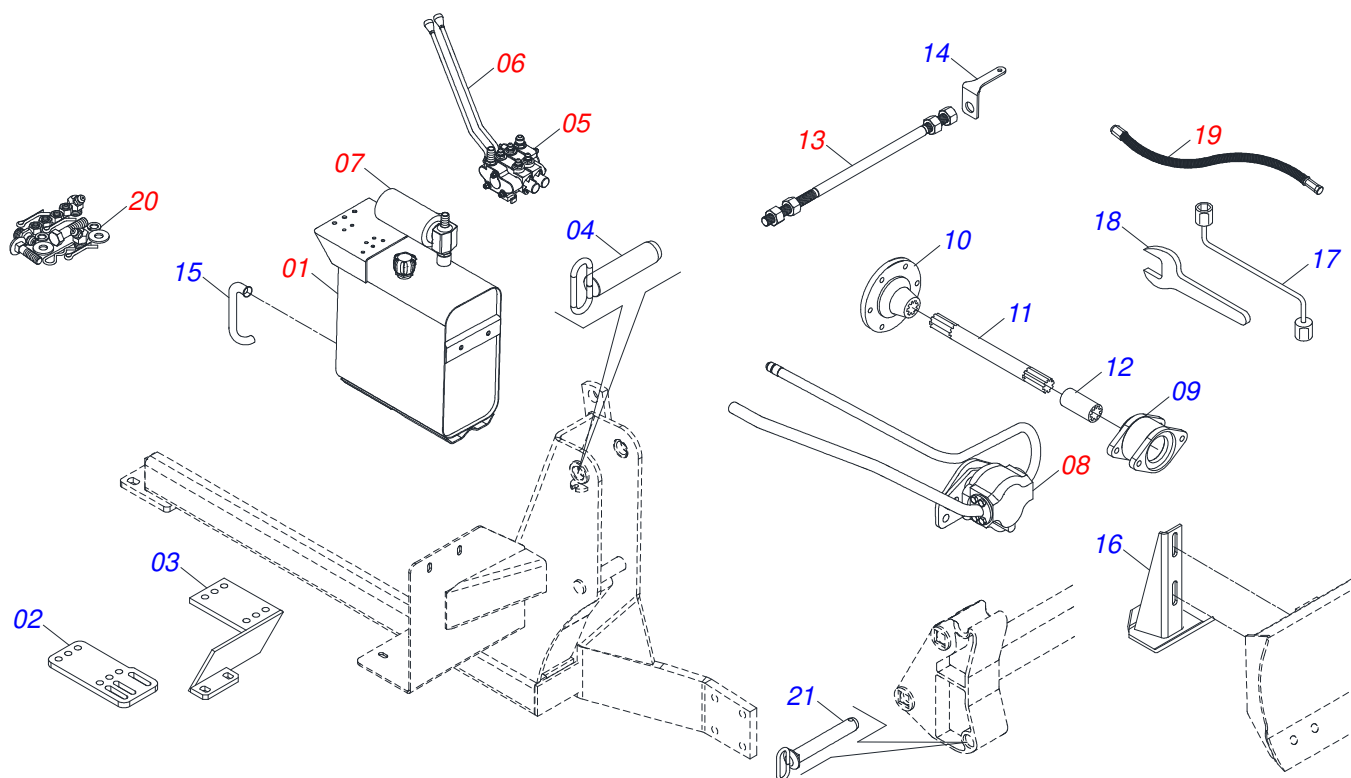


Item	Code	Description	See page	QT
01	0501069861	INNER OIL TUBE		01
02	0501069860	OUTER OIL TUBE		01
03	0501053835	FEMALE QUICK COUPLER		04
04	0503011968	3/4" 8R6X-S T ADAPTER WITH SWIVEL NUT		02
05	0511057974	44,45 X 85,72 X 870 X 593 HYDRAULIC CYLINDER		02
06	0501080150	HOSE ASSY		02
07	0501080105	TR-TR HOSE ASSY		01
08	0501080766	3/8" X 27.56" TC-TC HOSE		01
09	0511057772	SECURITY VALVE ASSY		04
10	0501069858	LH RIGHT OIL TUBE		01
11	0501069857	RIGHT RIGHT OIL TUBE		01
12	0511057973	HIDRAULIC CYLINDER 44,45 X 76,20 X 820 X 551		02
13	0501080777	LH 3/8" X 25.9" TC-TC HOSE		02
14	0501080688	3/8" X 25" TC-TC 90G HOSE		02
15	0511019876	1/2" NIPPLE		04

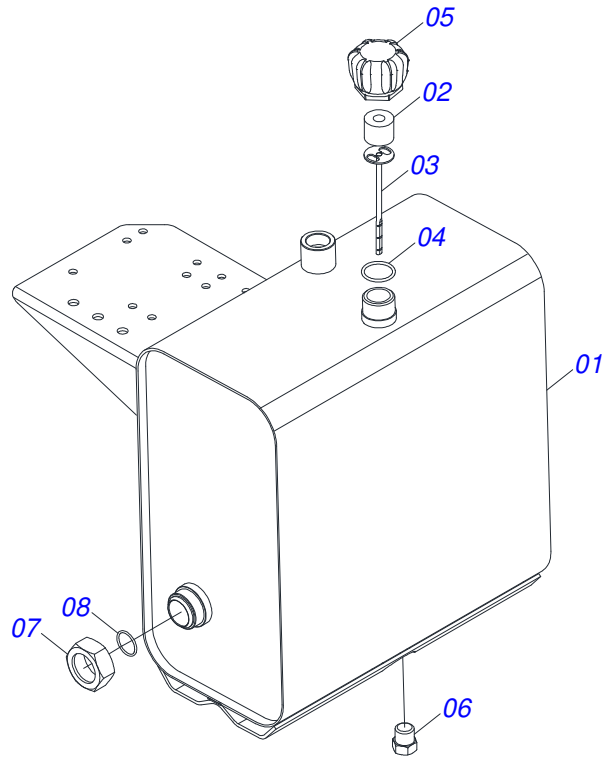




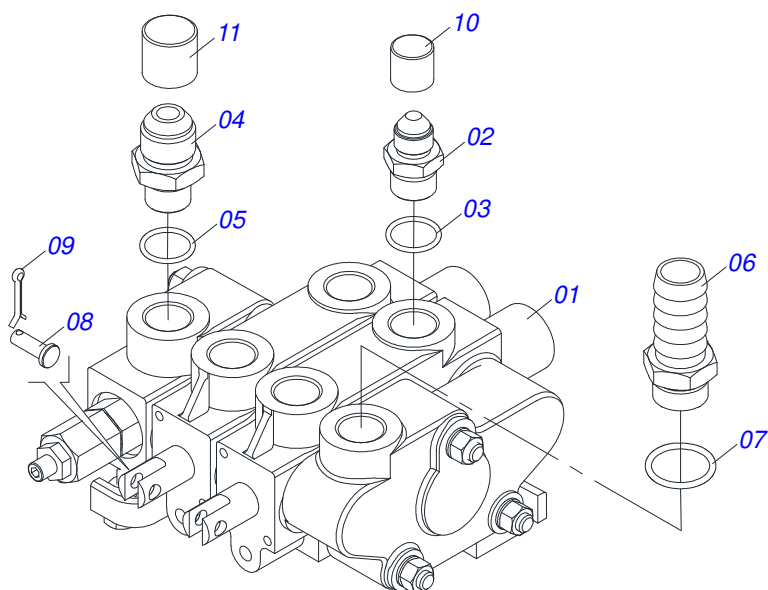
Item	Code	Description	See page	QT
01	0622360016	94.5" SCRAPER REVERSIBLE		01
02	0501069112	2400MM DOZER BLADE		01
03	0501812240	BOLT		08
04	0501812140	FLAT WASHER		08
05	0503011445	SPRING WASHER		08
06	0503810013	NUT 5/8 NC		08
07	0503034003	SERIAL NUMBER TAG 61 X 118		01
08	0503010001	3.2 X 5.5 RIVET		04



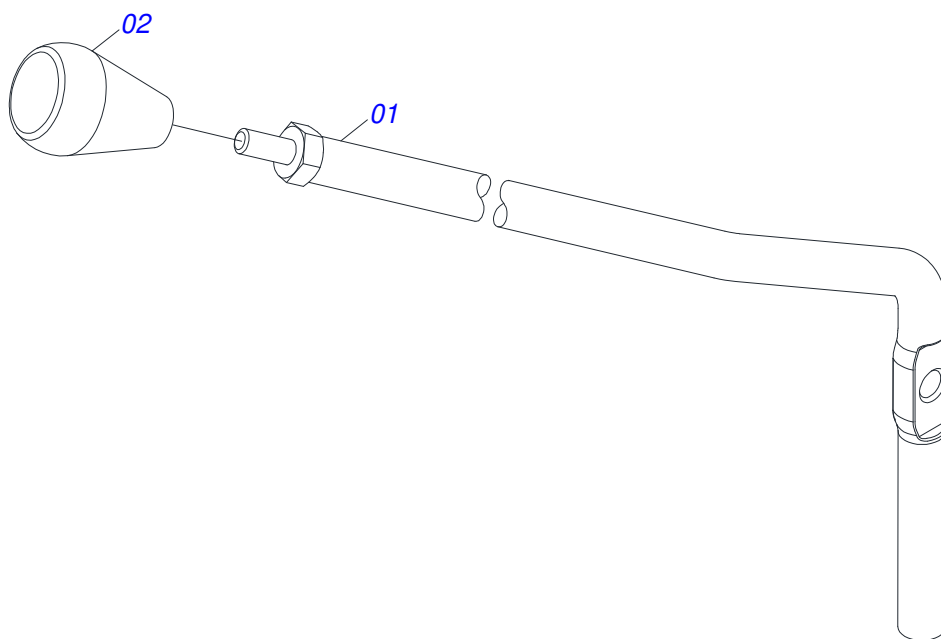
Item	Code	Description	See page	QT
01	0501047575	OIL RESERVOIR ASSY	8	01
02	0501014778	FRAME BRACKET		01
03	0511069928	LEFT FRAME BRACKET		01
04	0511064410	1.5" X 8.1" COUPLING SHAFT		02
05	0501059952	DOBLE COMMAND 1/2 HIDROV/DANFOSS ASSY	9	01
06	0501048023	CONTROL VALVE	10	02
07	0501041108	RETURNING FILTER ASSY	11	01
08	0511049566	PUMP ASSY		01
09	0511069929	PUMP ADAPTER SUPPORT		01
10	0503050082	FLANGE COUPLING		01
11	0501068940	435 X 1.1/8 STRIATED X 1.1/8-30G AXLE		01
12	0503030838	1-1/8" X 2.4" SLEEVE		01
13	0501042819	1.1/4"NC X 33.46" ROD ASSY	12	01
14	0561010051	HEADLIGHT SUPPORT		02
15	0511069946	TANK OUTER TUBE		01
16	0501063411	ESTABILIZER BRACKET		02
17	0501068213	5/8" WRENCH DOUBLE		01
18	0511010153	2-5/16" FIXED WRENCH		01
19	0501058450	HOSE KIT	13	01
20	0501037282	PACKED PARTS	14	01
21	0521066515	37,20 X 240 ARTICULATION SHAFT WITH HANDLE		02



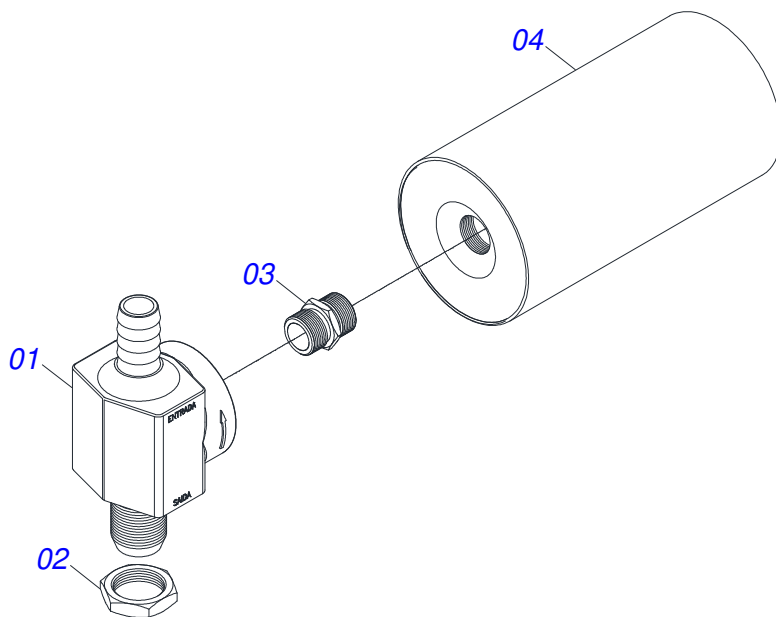
Item	Code	Description	See page	QT
01	0501068685	OIL RESERVOIR		01
02	0503030044	FILTERING ELEMENT		01
03	0501060975	OIL GAGE		01
04	0503010185	2-221 N 3006-9B O'RING		01
05	0502020472	FRONTAL COVER		01
06	0503031604	1/2" BSP PLUG		01
07	0501016309	2" 1X 2.5/16" NUT		01
08	0503010046	2-216 N 3006-9B O'RING		01



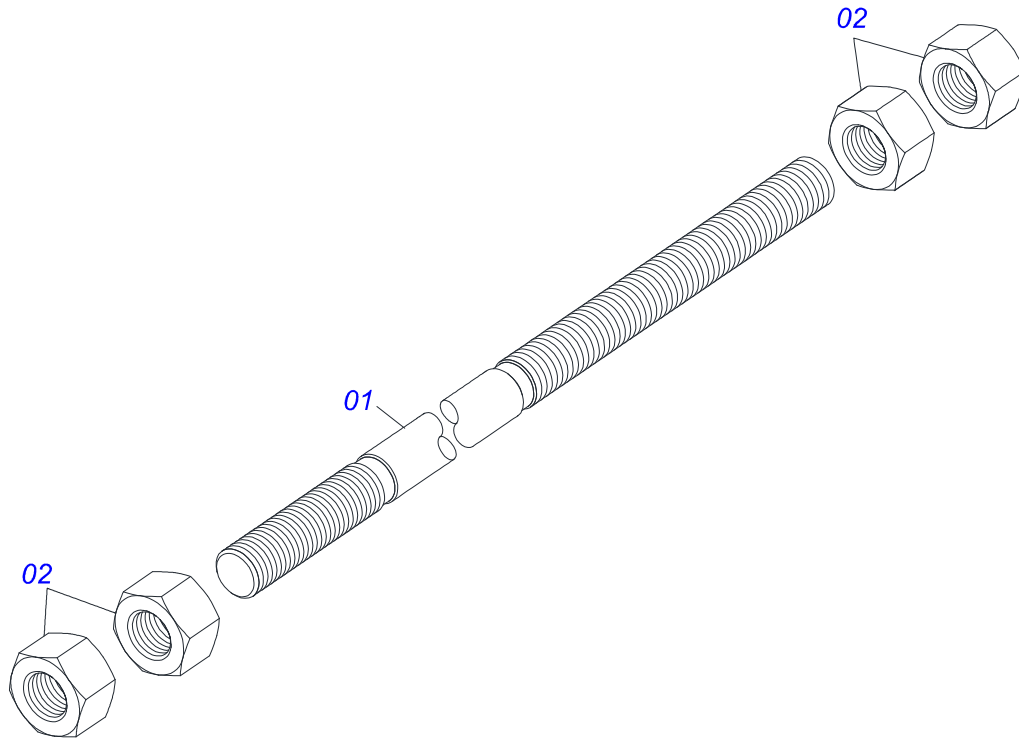
Item	Code	Description	See page	QT
01	0503060016	1/2"DOUBLE COMMAND		01
02	0501010590	NIPPLE		04
03	0503010045	O'RING		04
04	0501010589	R. 1.1/16UN SEXT 1.1/4 X 52 NIPPLE		01
05	0503011109	2-119 N 3006-9B O'RING		01
06	0501010591	HOSE NIPPLE		01
07	0503011109	2-119 N 3006-9B O'RING		01
08	0521010533	0.3" X 1" COUPLING SHAFT		02
09	0503010140	1/8" X 3/4" COTTERPIN		02
10	0503030387	PLUG		04
11	0503030388	PLUG N-005		01



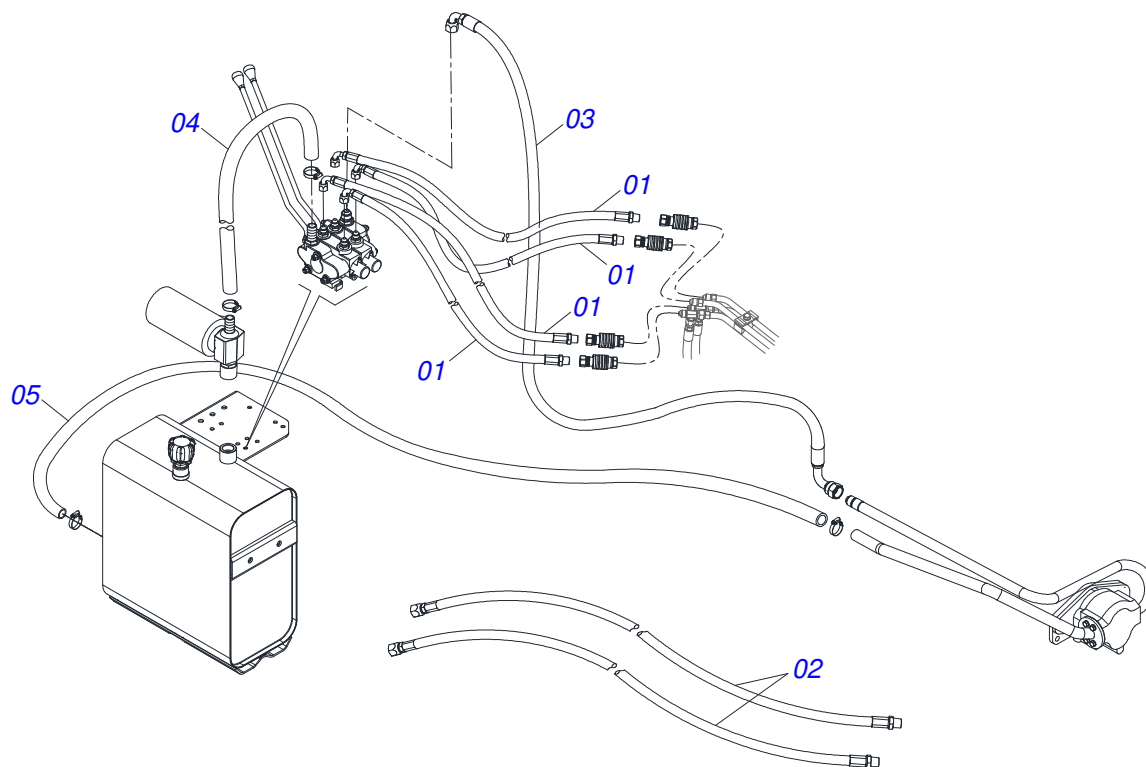
Item	Code	Description	See page	QT
001	0511060695	CONTROL VALVE		01
002	0503030878	LEVER CRANK		01



Item	Code	Description	See page	QT
01	0502050002	RETURNING FILTER HEAD		01
02	0501010594	1" NUT		01
03	0501010595	1" NF NIPPLE		01
04	0503010183	RETURNING FILTER		01

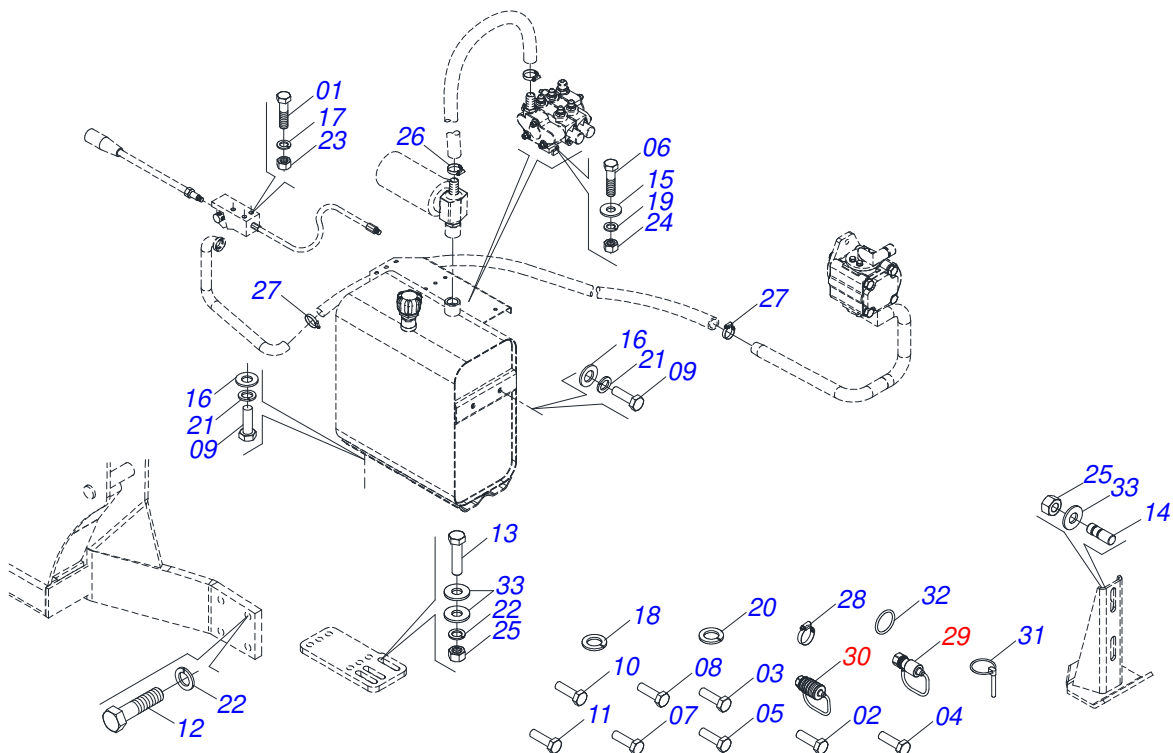


Item	Code	Description	See page	QT
01	0501018845	1.1/4" X 33.46" ROD		01
02	0501010087	1.1/4" NUT		04



Item	Code	Description	See page	QT
01	0501081262	HOSE KIT		04
02	0501080849	1/2" X 2100 TR-TM HOSE		02
03	0501080892	3/4 X 2500 TC-TC HOSE		01
04	0501010610	1 X 800 AB-AB HOSE		01
05	0501014834	1-1/4" X 49" AB-AB HOSE		01





Item	Code	Description	See page	QT
01	0503011719	1/4" X 2-1/2" BOLT		04
02	0503014141	M6 X 1 X 20 BOLT		04
03	0503015106	5/16 UNF X 3/4 C S G.5 ZN BOLT		04
04	0503010237	3/8" X 1" BOLT		08
05	0503010175	3/8" X 1-1/4" BOLT		03
06	0501010080	3/8" BOLT		03
07	0503010355	7/16" X 1" BOLT		04
08	0503010119	7/16" X 1-1/4" BOLT		04
09	0501010161	1/2" X 1.1/4" BOLT		02
10	0503010920	1/2" X 1.1/2" BOLT		02
11	0503010384	1/2" X 5" BOLT		02
12	0501018059	3/4" X 2-1/4" BOLT		08
13	0501010500	3/4"X3"BOLT		04
14	0561016756	3/4 UNC X 3/4 UNC X 56 PRISONER		04
15	0501010984	FLAT WASHER		05
16	0511017302	FLAT WASHER		04
17	0503010143	1/4" SPRING WASHER		04
18	0503010179	5/16" ZN SPRING WASHER		04
19	0503010025	3/8" SPRING WASHER		12
20	0503010180	7/16" SPRING WASHER		04
21	0503010019	1/2" SPRING WASHER		08
22	0503010023	3/4" SPRING WASHER		12
23	0503010144	1/4" NUT		04
24	0503010026	3/8" NUT		05
25	0503010014	3/4" NUT		08
26	0503010184	CLAMP		02
27	0503010243	CLAMP		04
28	0503010246	CLAMP		02
29	0501053834	MALE QUICK COUPLER WITH CAP - 1/2 NPT		02
30	0501053835	FEMALE QUICK COUPLER		02
31	0503030430	7/16 X 2" PIN LOCK		04



PACKED PARTS

0501037282

Item	Code	Description	See page	QT
32	0503010173	2-220 N 3006-9B O'RING		01
33	0501010322	FLAT WASHER		12



# ANNOTATION

A series of horizontal lines for writing, spanning the width of the page below the header.





**MARCHESAN**

**Technical Publications | Elaboration and Revision**

MARINA PEREZ NIZA

[www.marchesan.com.br](http://www.marchesan.com.br)

