

PD - FRONT LOADER

PD NH 7630-4 SHT CD GAL

Code: 0501092973
Series: S-0608
Revision: 00
Date Revision: SETEMBRO/2021

PARTS CATALOGUE



MARCHESAN



PRODUCTS

Code	Description
0106040320	PD NH 7630-4 SHT CD GAL

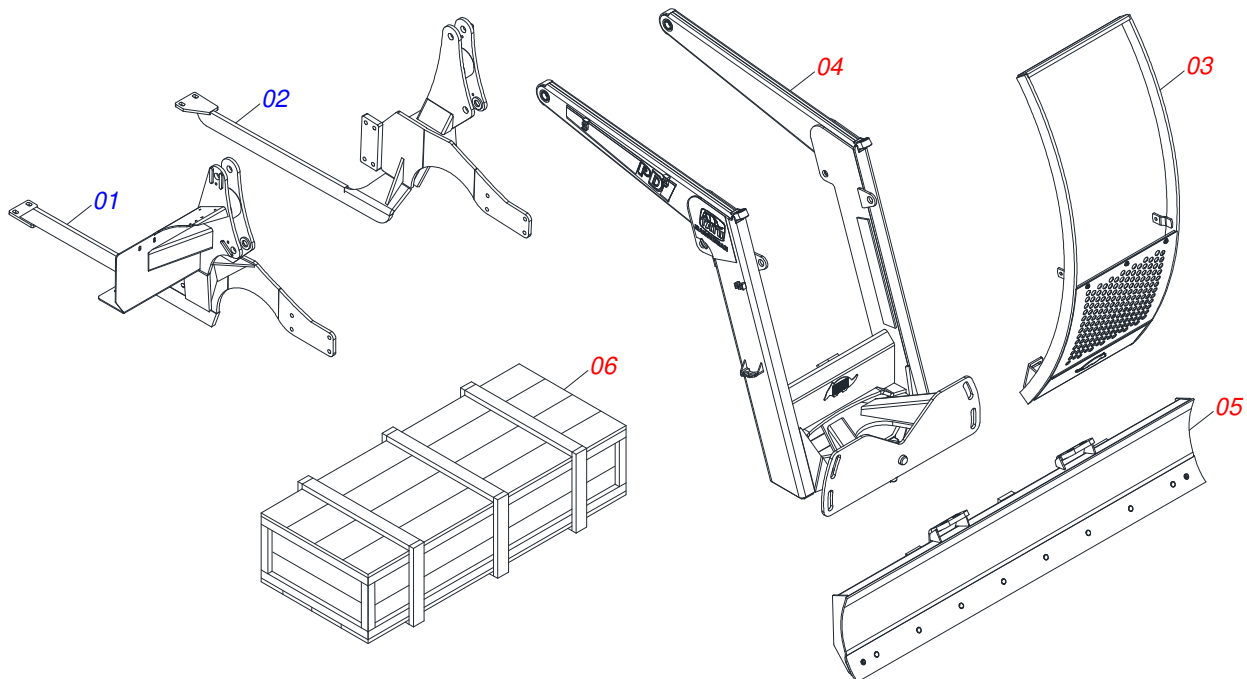
ATTENTION: IMPORTANT

Marchesan S.A. reserves the right to improve and / or modify the technical features of its products, without obligation to do the same with those products already sold and without prior knowledge of the dealer or the consumer.

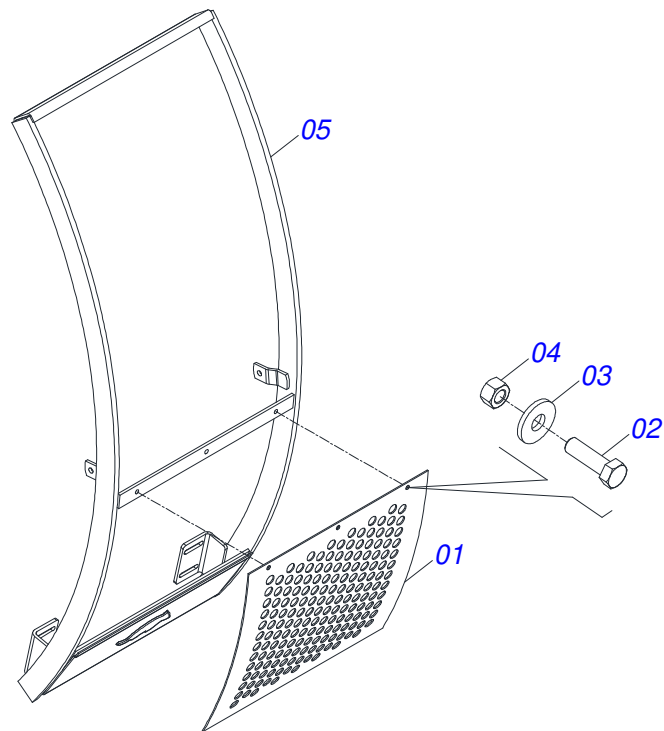


INDEX

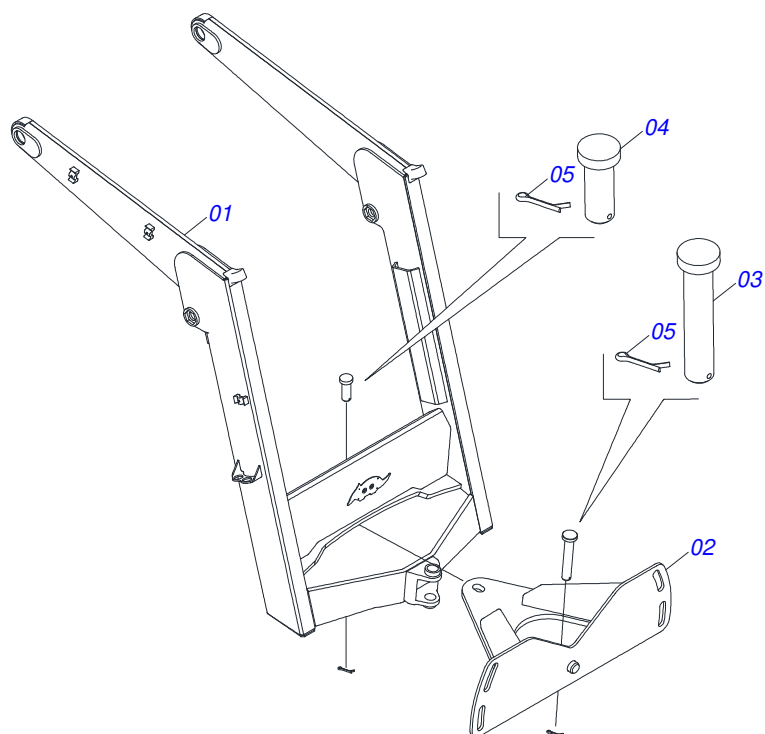
0106040320	PD NH 7630-4 SHTCD GAL	1
0511049956	MOBILE SUPPORT GUIDE ASSY	2
0501044604	MOBILE SUPPORT ASSY	3
0501047710	2600MM BLADE SUPPORT ASSY	4
0511026132	COMPONENT BOX	5
0501049879	OIL RESERVOIR	6
0511058414	HYDRAULIC CYLINDER - PD NH 7630-4	7
0511047396	PUMP WITH TUBE	8
0501059952	DOBLE COMMAND 1/2 HIDROV/DANFOSS ASSY	9
0501048023	CONTROL VALVE	10
0501041108	RETURNING FILTER ASSY	11
0501058589	HOSE KIT	12
0501041427	1.1/4" NC X 1540 ASSY ROD	13
0511044960	BATTERY BOX	14
0501038523	PACKAGED PARTS	15



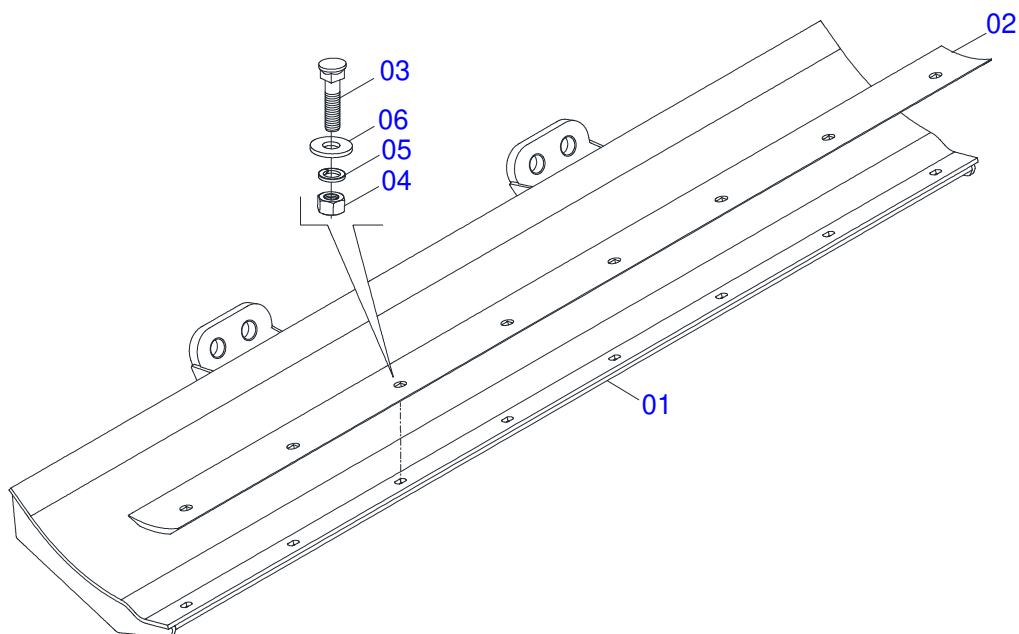
Item	Code	Description	See page	QT
01	0521060077	RIGHT FRAME		01
02	0521060076	LEFT FRAME		01
03	0511049956	MOBILE SUPPORT GUIDE ASSY	2	01
04	0501044604	MOBILE SUPPORT ASSY	3	01
05	0501047710	2600MM BLADE SUPPORT ASSY	4	01
06	0511026132	COMPONENT BOX	5	01



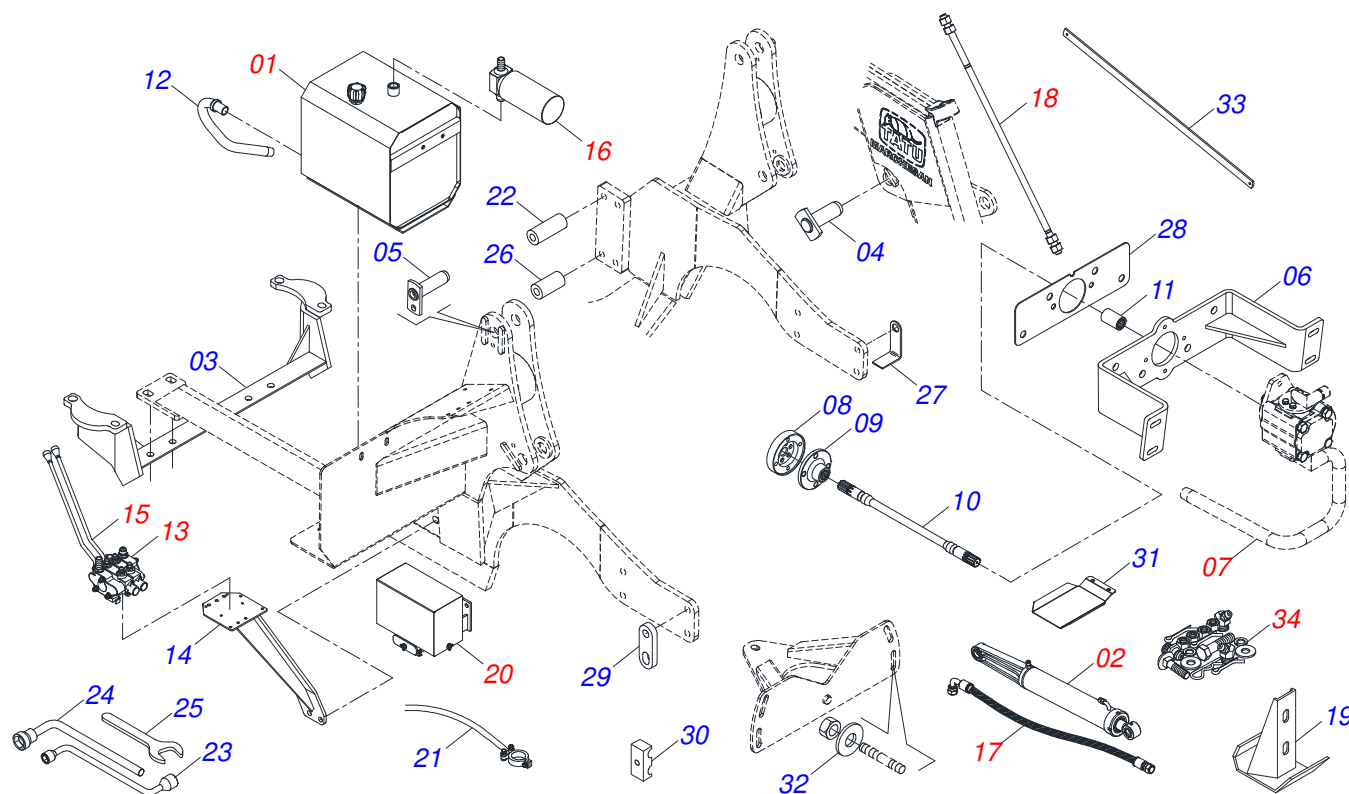
Item	Code	Description	See page	QT
01	0501017431	FRONT PROTECTION		01
02	0503010751	C3/8" X 1.1/4" HEX BOLT G.5		03
03	0501010984	FLAT WASHER		03
04	0503010026	3/8" NUT		03
05	0521062696	GUIDE SUPPORT MOBILE		01



Item	Code	Description	See page	QT
01	0521063348	MOBILE SUPPORT		01
02	0501062637	5/8" REGULATOR SUPPORT		01
03	0521010618	1.4" X 8.6" COUPLING SHAFT		01
04	0521010612	1.4" X 3.5" COUPLING SHAFT		01
05	0503010010	1/4" X 2.1/2" COTTERPIN		02



Item	Code	Description	See page	QT
01	0501068001	2590MM BLADE SUPPORT ASSY		01
02	0622360011	2600 SCRAPER REVERSIBLE		01
03	0501012240	BOLT		08
04	0503010013	5/8" NUT		08
05	0503010027	5/8" SPRING WASHER		08
06	0501010301	FLAT WASHER		08



Item	Code	Description	See page	QT
01	0501049879	OIL RESERVOIR	6	01
02	0511058414	HYDRAULIC CYLINDER - PD NH 7630-4	7	02
03	0521060106	FRAME FIXER SUPORT		01
04	0521063355	COUPLING SHAFT		02
05	0501063751	1.5" X 5.5" PIVOT SHAFT		04
06	0521060078	GUIDE PUMP SUPPORT		01
07	0511047396	PUMP WITH TUBE	8	01
08	0551019179	FLANGE ADAPTER		01
09	0503050056	COUPLING FLANGE		01
10	0511069684	527 STRIATED AXLE		01
11	0503030838	1-1/8" X 2.4" SLEEVE		01
12	0521060102	TANK SUCTION TUBE		01
13	0501059952	DOBLE COMMAND 1/2 HIDROV/DANFOSS ASSY	9	01
14	0521061763	SUPPORT CONTROL VALVE		01
15	0501048023	CONTROL VALVE	10	02
16	0501041108	RETURNING FILTER ASSY	11	01
17	0501058589	HOSE KIT	12	01
18	0501041427	1.1/4" NC X 1540 ASSY ROD	13	02
19	0501063411	ESTABILIZER BRACKET		02
20	0511044960	BATTERY BOX	14	01
21	0503015048	BATTERY CABLE		01
22	0561010487	22,23 X 44,45 X 137 SLEEVE		02
23	0501068213	5/8" WRENCH DOUBLE		01
24	0501061617	1" GANG BOLT WRENCH		01
25	0511010153	2-5/16" FIXED WRENCH		01
26	0561010578	22,23 X 44,45 X 45 SLEEVE		02
27	0561010557	HOSE ASSY FIXER SUPPORT SUCTION		01
28	0561010519	PUMP SUPPORT CHOCK		02
29	0561010484	FRAME BAR CHOCK		04
30	0502010477	HOSE CLAMP		03
31	0561010518	HOSE ASSY PROTECTOR		01

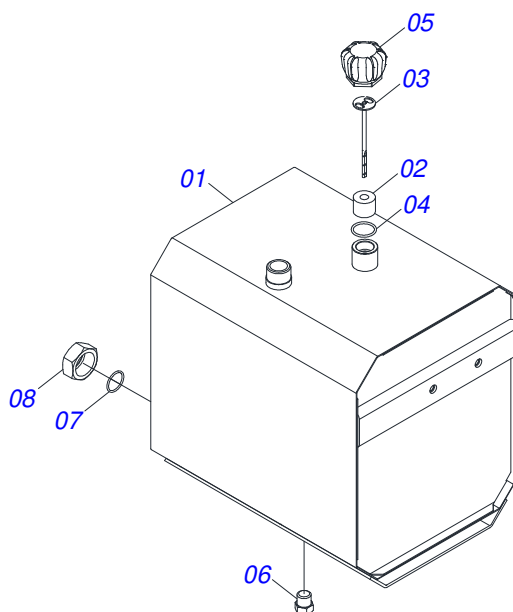


COMPONENT BOX

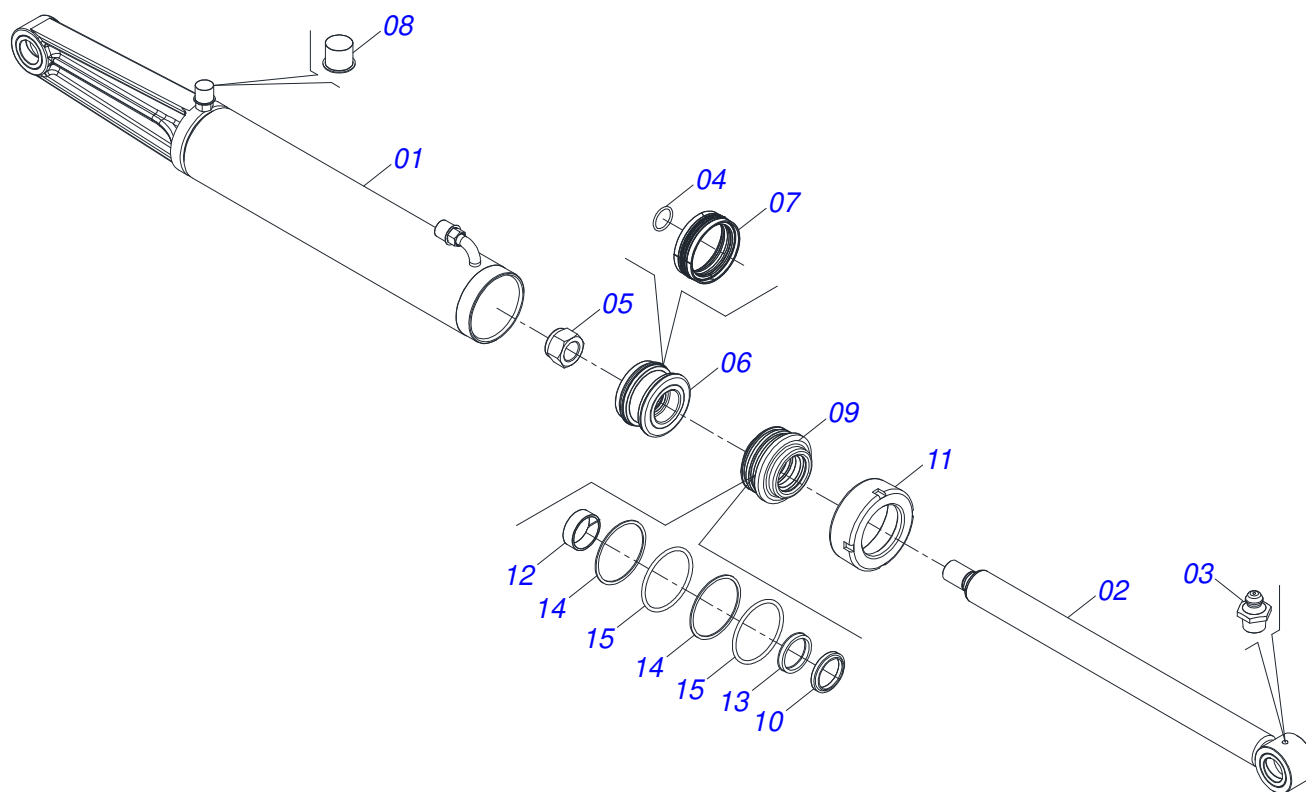
0511026132

Item	Code	Description	See page	QT
32	0501010574	FLAT WASHER		04
33	0511013560	ATTACHMENT BAR		02
34	0501038523	PACKAGED PARTS	15	01

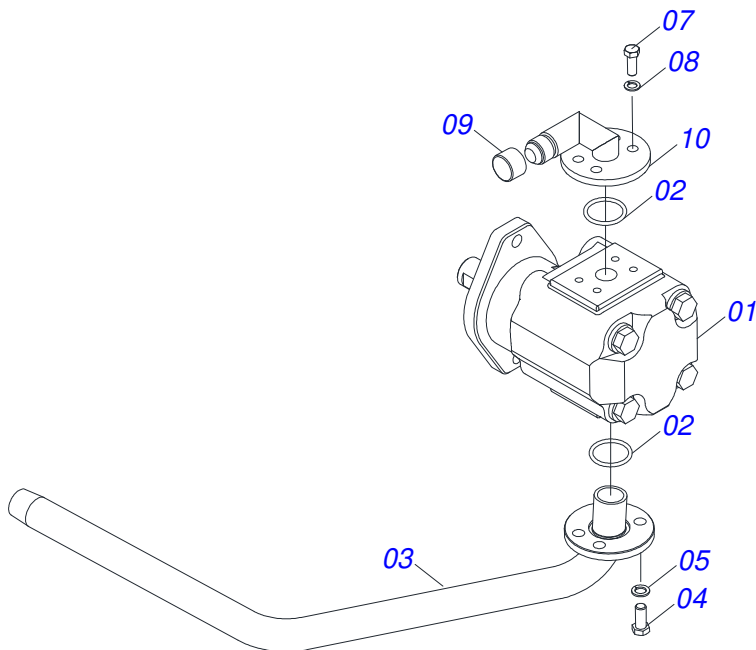
OIL RESERVOIR



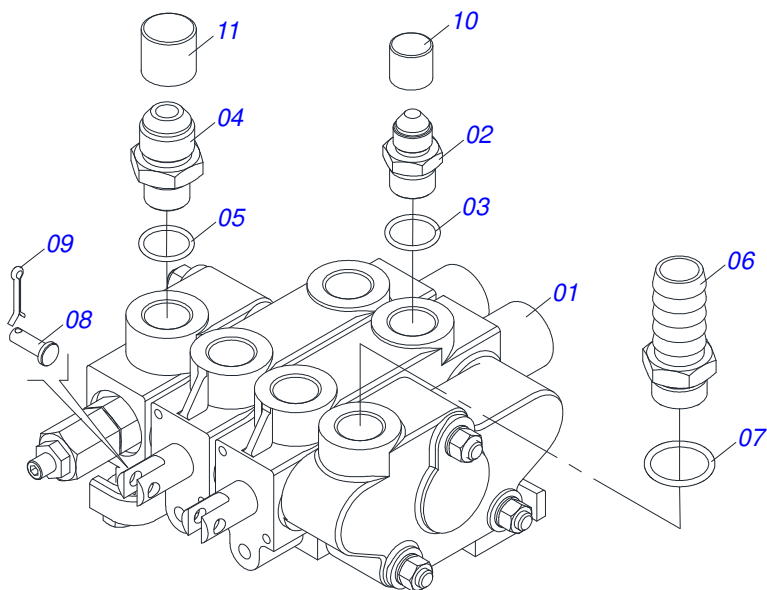
Item	Code	Description	See page	QT
01	0511063248	OIL RESERVOIR		01
02	0503030044	FILTERING ELEMENT		01
03	0501060975	OIL GAGE		01
04	0503010185	2-221 N 3006-9B O'RING		01
05	0502020472	FRONTAL COVER		01
06	0503031604	1/2" BSP PLUG		01
07	0503010046	2-216 N 3006-9B O'RING		01
08	0501016309	2" 1X 2.5/16" NUT		01



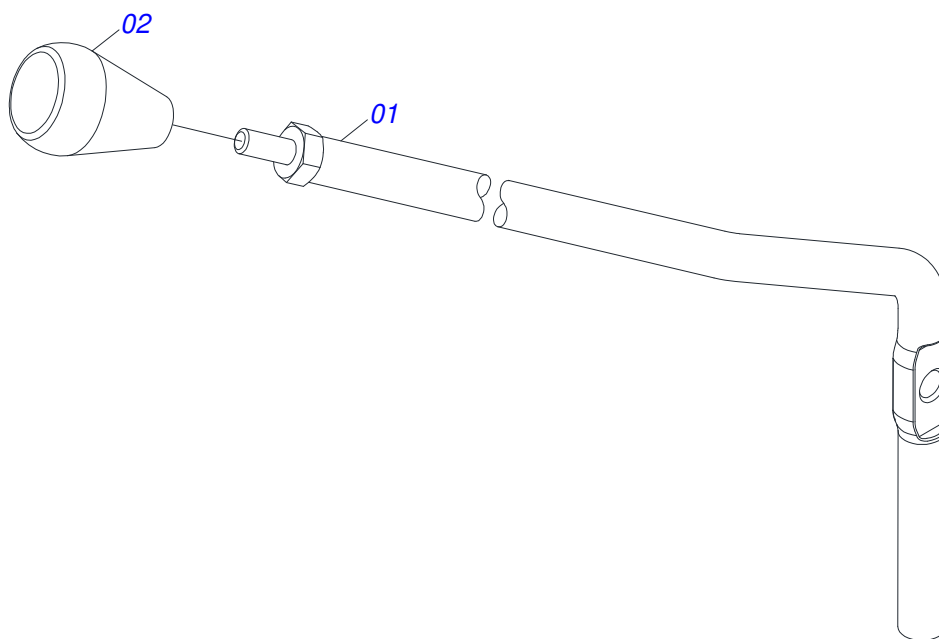
Item	Code	Description	See page	QT
01	0521060114	101,60 X 590 CYLINDER CASE		01
02	0501068966	HYDRAULIC CYLINDER TURNBUCKLE		01
03	0503010002	1800 GREASE FITTING		01
04	0503010345	2-218 N 3006-9B O'RING		01
05	0503010817	1.1/4" SELF LOCKING NUT		01
06	0502012842	50,80 X 101,60 PISTON		01
07	0503015633	SELEMASTER SEALING		01
08	0503030387	PLUG		02
09	0581010678	50,80 X 101 RING SUPPORT		01
10	0503015636	SCRAPER SEAL		01
11	0502012822	101.60 END CAP		01
12	0503018025	RING GUIDE		01
13	0503018026	1870-2000-375 B GASKET		01
14	0503011061	8-342 BACK-UP RING		02
15	0503010338	2-342 N 3006-9B O'RING		02



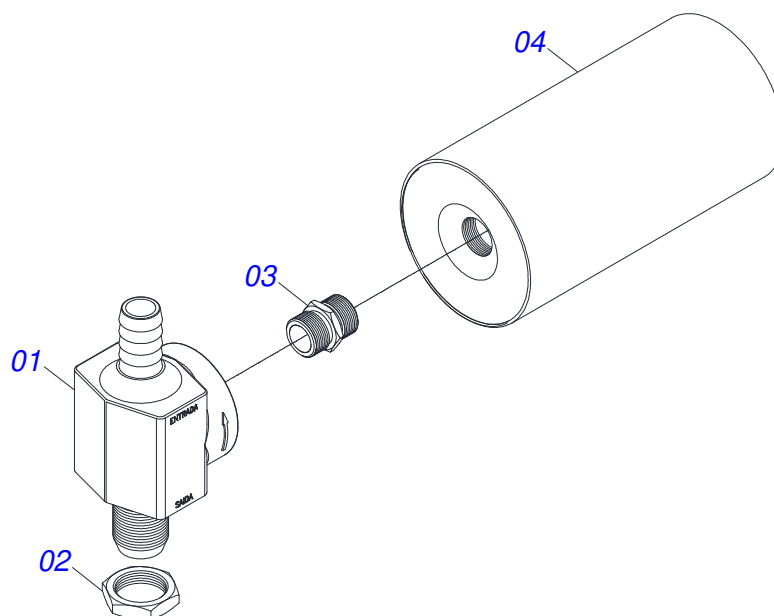
Item	Code	Description	See page	QT
01	0503061770	PUMP WITH TUBE		01
02	0503010173	2-220 N 3006-9B O'RING		02
03	0521060103	PUMP SUCTION TUBE		01
04	0503010355	7/16" X 1" BOLT		04
05	0503010180	7/16" SPRING WASHER		04
06	0503011087	3/8" X 1" BOLT		04
07	0503010025	3/8" SPRING WASHER		04
08	0503030388	PLUG N-005		01
09	0501069661	PUMP PRESSURE TUBE		01



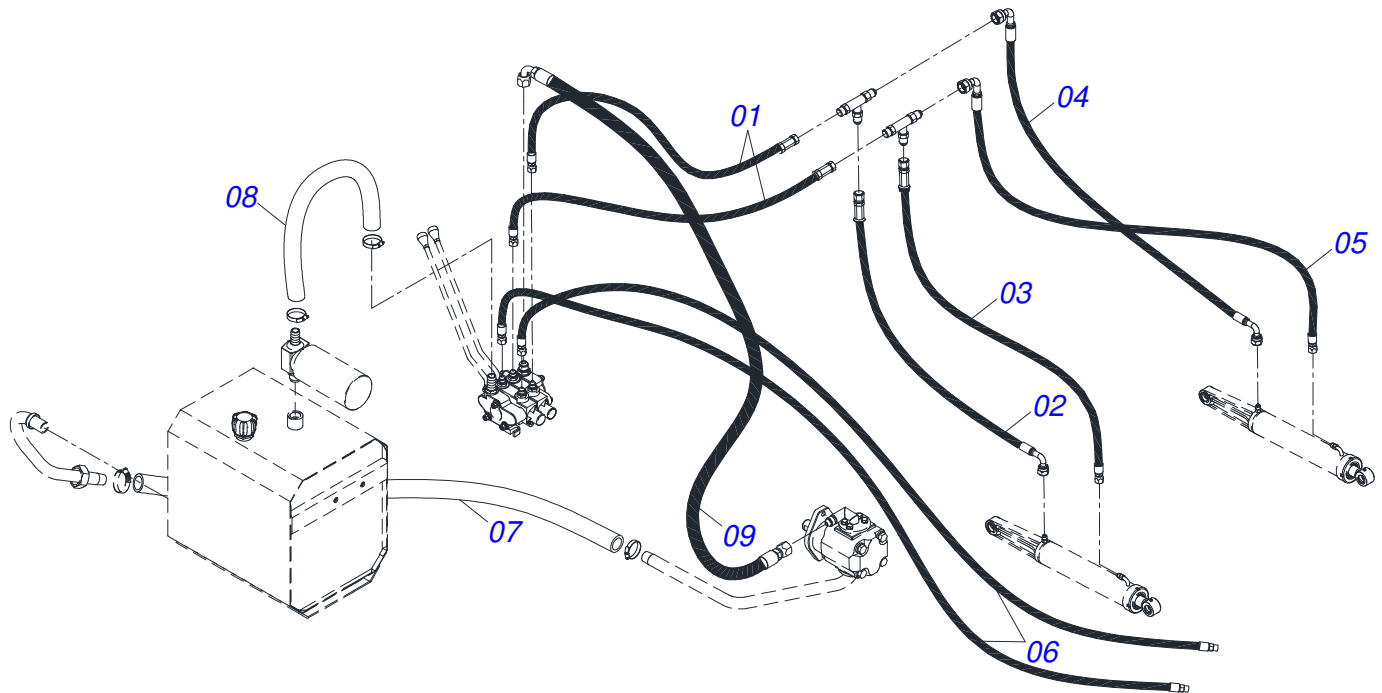
Item	Code	Description	See page	QT
01	0503060016	1/2"DOUBLE COMMAND		01
02	0501010590	NIPPLE		04
03	0503010045	O'RING		04
04	0501010589	R. 1.1/16UN SEXT 1.1/4 X 52 NIPPLE		01
05	0503011109	2-119 N 3006-9B O'RING		01
06	0501010591	HOSE NIPPLE		01
07	0503011109	2-119 N 3006-9B O'RING		01
08	0521010533	0.3" X 1" COUPLING SHAFT		02
09	0503010140	1/8" X 3/4" COTTERPIN		02
10	0503030387	PLUG		04
11	0503030388	PLUG N-005		01



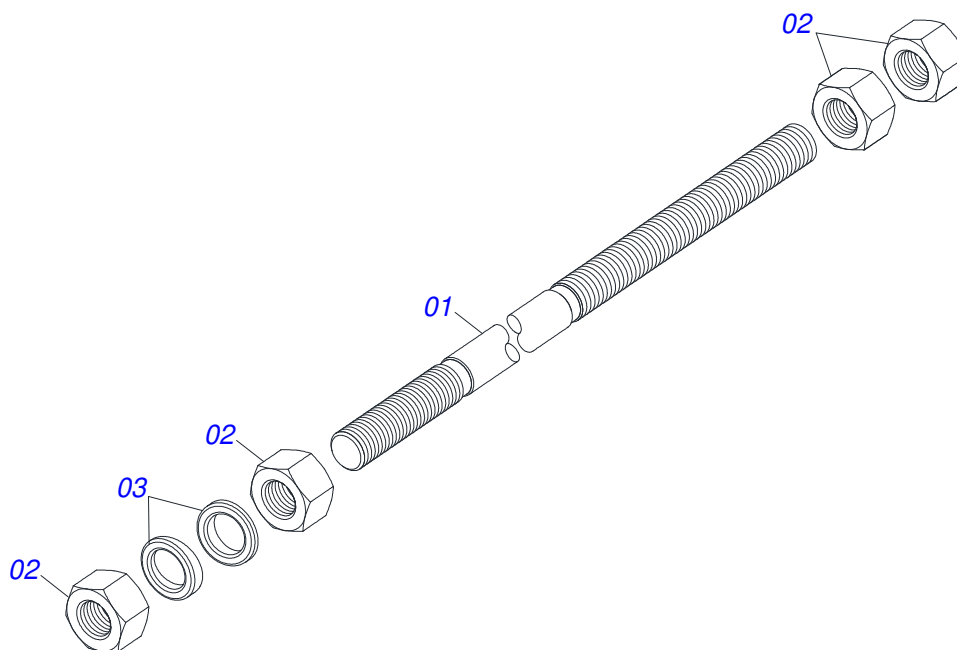
Item	Code	Description	See page	QT
001	0511060695	CONTROL VALVE		01
002	0503030878	LEVER CRANK		01



Item	Code	Description	See page	QT
01	0502050002	RETURNING FILTER HEAD		01
02	0501010594	1" NUT		01
03	0501010595	1" NF NIPPLE		01
04	0503010183	RETURNING FILTER		01

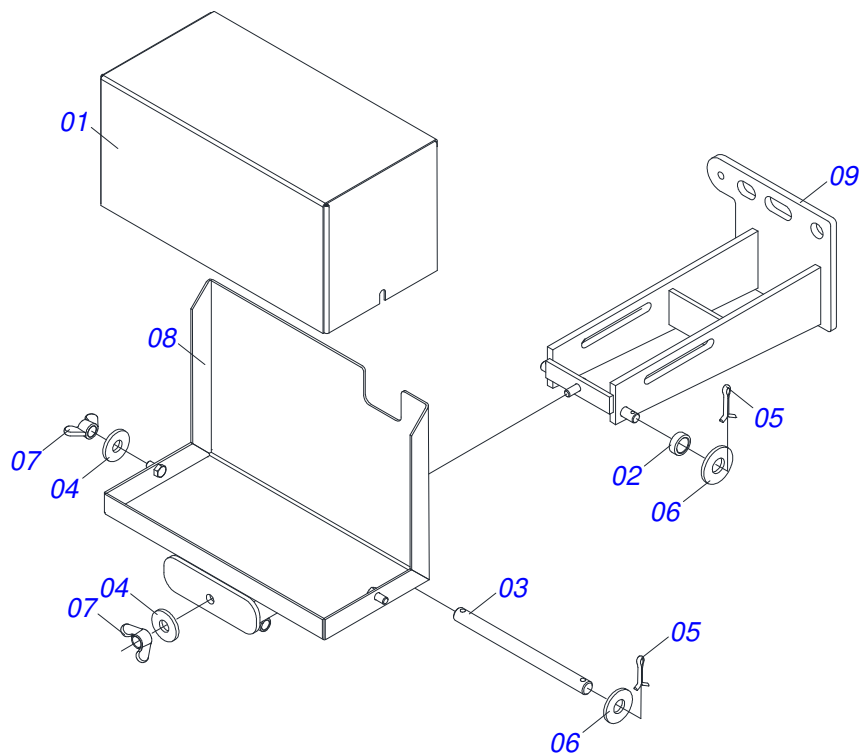


Item	Code	Description	See page	QT
01	0501080014	HOSE		02
02	0501080010	1/2 X 1000 TR-TC HOSE		01
03	0501080052	1/2" X 63" TR-TR HOSE ASSY		01
04	0501080628	HOSE		01
05	0501081041	HOSE 1/2		01
06	0501080110	HOSE 1/2 X 3100		02
07	0561010501	1.1/4 X 1800 AB-AB HOSE ASSY		01
08	0501018913	1" X 35.43" AB-AB HOSE		01
09	0501081321	3/4 X 2600 TR-TC HOSE CLAMP		01

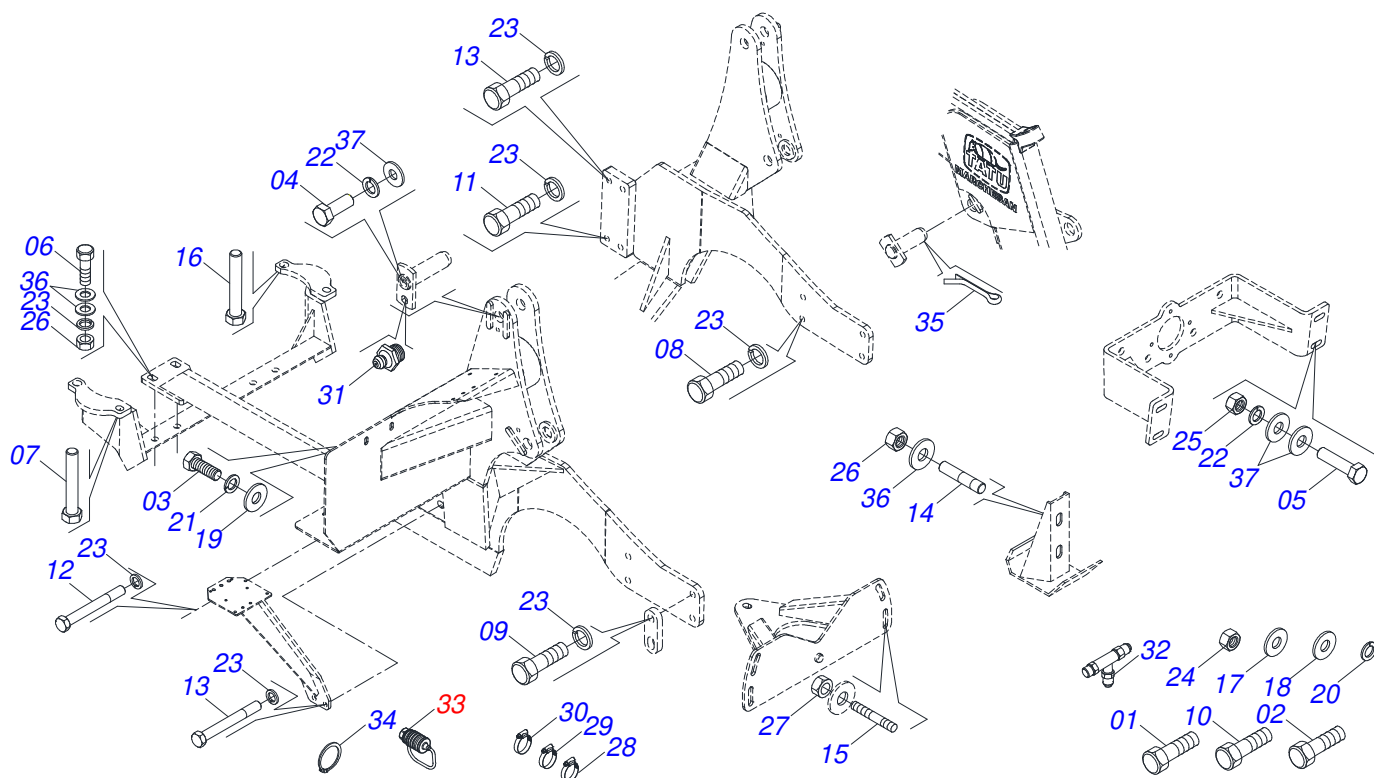


Item	Code	Description	See page	QT
01	0501014250	1.1/4" X 1540 ROD		01
02	0501010087	1.1/4" NUT		04
03	0502012180	CONICAL SPRING WASHER		02

BATTERY BOX



Item	Code	Description	See page	QT
01	0511067492	BATTERY BOX COVER		01
02	0551010490	SLEEVE		02
03	0551010491	BATTERY BOX AXLE		01
04	0501010984	FLAT WASHER		03
05	0503010297	5/32" X 1.1/4" COTTER PIN		04
06	0511017302	FLAT WASHER		04
07	0503010209	3/8" UNC BUTTERFLY NUT		03
08	0511067447	BATTERY FIXER MOBILE		01
09	0511067446	BATTERY FIXER		01



Item	Code	Description	See page	QT
01	0503010751	C3/8" X 1.1/4" HEX BOLT G.5		03
02	0503010849	3/8" X 1-1/2" BOLT		03
03	0501010161	1/2" X 1.1/4" BOLT		10
04	0503010962	5/8" X 1-1/4" BOLT		04
05	0503010233	5/8" X 2-1/2" BOLT		06
06	0501010125	3/4" X 2-1/2" BOLT		06
07	0501010066	3/4" X 9" BOLT		04
08	0503013110	M20 X 2,5 X 50 BOLT		04
09	0503013112	M20 X 2,5 X 70 BOLT		08
10	0503013103	M20 X 2,5 X 90 BOLT		02
11	0503013090	M20 X 2,5 X 100 BOLT		02
12	0503013364	M20 X 2,5 X 150 BOLT		02
13	0503015049	M20 X 2,5 X 190 BOLT		02
14	0561016756	3/4 UNC X 3/4 UNC X 56 PRISONER		04
15	0561016755	PRISONER 1 UNC X 1 UNC X 76 ZN		04
16	0501010064	1" X 9" BOLT		02
17	0501010694	8.5 X 18 X 1.5 FLAT WASHER		06
18	0501010984	FLAT WASHER		05
19	0511017302	FLAT WASHER		02
20	0503010025	3/8" SPRING WASHER		07
21	0503010019	1/2" SPRING WASHER		08
22	0503010027	5/8" SPRING WASHER		12
23	0503010023	3/4" SPRING WASHER		26
24	0503010026	3/8" NUT		05
25	0503010013	5/8" NUT		06
26	0503010014	3/4" NUT		10
27	0501010059	1.5/8 NUT		04
28	0503010184	CLAMP		02
29	0503010243	CLAMP		04
30	0503010246	CLAMP		01
31	0503010002	1800 GREASE FITTING		08



PACKAGED PARTS

0501038523

Item	Code	Description	See page	QT
32	0503013493	T CONNECTION MALE		02
33	0501053835	FEMALE QUICK COUPLER		02
34	0503010217	501040 CLAMPING RING (FOR AXLE)		04
35	0503010534	3/8 X 2-1/2 COTTERPIN		02
36	0501010322	FLAT WASHER		16
37	0501012140	FLAT WASHER		14



MARCHESAN

Technical Publications | Elaboration and Revision

MARINA PEREZ NIZA

www.marchesan.com.br

