

**OFFSET DISK HARROW**

**GASPCR - 22D**

**Code:** 0501092963

**Series:** S-1102

**Revision:** 00

**Date Revision:** ABRIL/2021

# PARTS CATALOGUE



**MARCHESAN**



# PRODUCTS

Code	Description
0102090123	GASPCR 22X36X12,00ALQ DM S/PN S1102

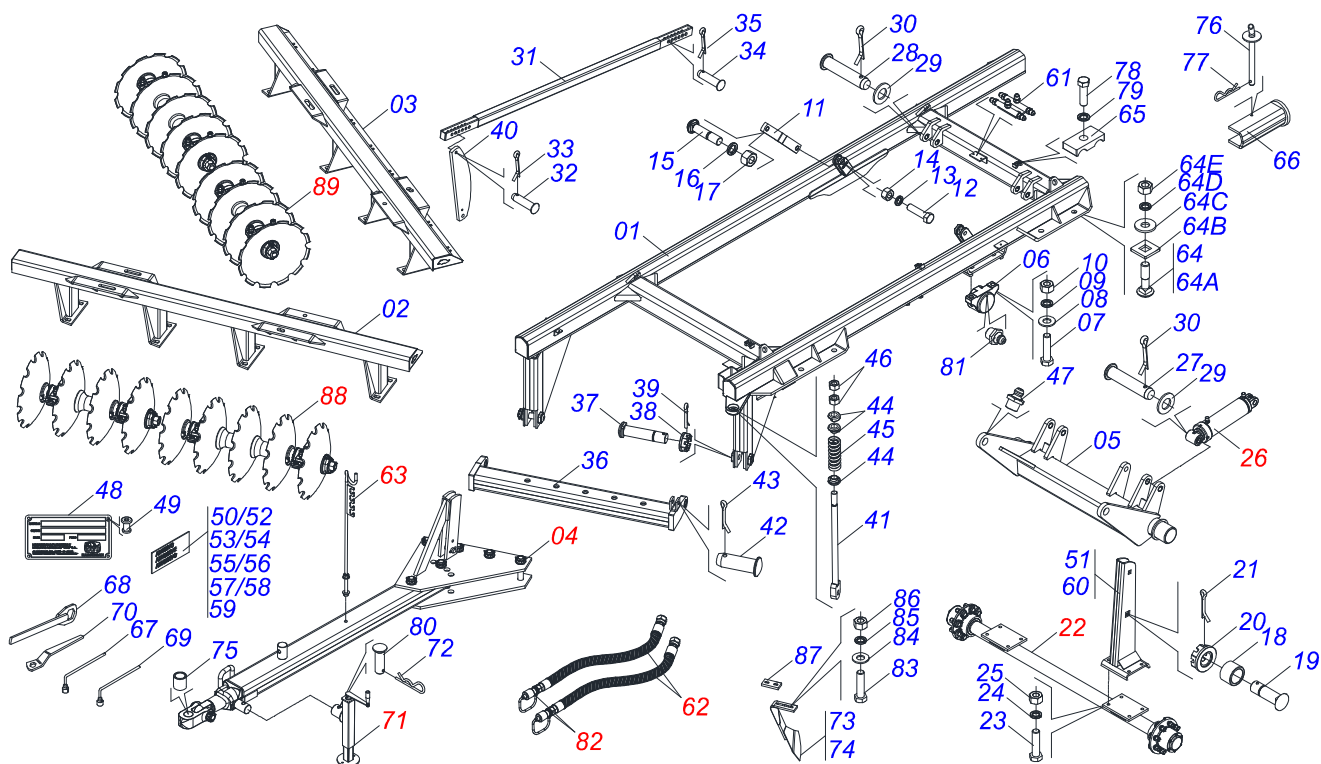
## ATTENTION: IMPORTANT

Marchesan S.A. reserves the right to improve and / or modify the technical features of its products, without obligation to do the same with those products already sold and without prior knowledge of the dealer or the consumer.



# INDEX

0909095736	ASSY FRAME - 22 D	.....	1
0511041570	DRAWBAR ASSY 3"	.....	2
0501047810	3-1/2" X 84.1" STUB SHAFT & HUB	.....	3
0511059181	HYDRAULIC CYLINDER 50,80X101,60X515X248	.....	4
0501051043	HOSE ASSY	.....	5
0501040257	3/4 X 1200 HOSE HOLDER A	.....	6
0511048088	DRAWBAR JACK	.....	7
0501053834	MALE QUICK COUPLER WITH CAP - 1/2 NPT	.....	8
0909095737	FRONT DISCO SECTION - 22D	.....	9
0909095738	REAR DISC SECTION - 22D	.....	10
0501046900	430MM X 2-1/2" RD. OIL BATH BEARING	.....	11



Item	Code	Description	See page	QT
01	0511064484	FRAME		01
02	0501067204	FRONT FRAME 22		01
03	0501067205	REAR FRAME 22		01
04	0511041570	DRAWBAR ASSY 3"	2	01
05	0501067244	WHEELS		01
06	0502010972	ARTICULACION BEARING		01
07	0503811432	BOLT		04
08	0501810065	FLAT WASHER		04
09	0503011438	SPRING WASHER		04
10	0501810059	1" NUT		04
11	0501110404	SUPPORT BAR		02
12	0503811432	BOLT		02
13	0503011438	SPRING WASHER		02
14	0501810059	1" NUT		02
15	0511817974	TOWER HANGER SUSPENSION		02
16	0503011438	SPRING WASHER		02
17	0501810059	1" NUT		02
18	0521010737	2" X 1.5" X 1.4" SLEEVE		02
19	0511818006	BOLT		02
20	0501811301	CASTLE NUT		02
21	0503010010	1/4" X 2.1/2" COTTERPIN		02
22	0501047810	3-1/2" X 84.1" STUB SHAFT & HUB	3	01
23	0501810125	SCREW 3/4 UNC X 2.1/2 C S G.5		08
24	0503011442	3/4" SPRING WASHER		08
25	0503810014	3/4" NUT		08
26	0511059181	HYDRAULIC CYLINDER 50,80X101,60X515X248	4	02
27	0511010174	1.2" X 5.9" COUPLING SHAFT		01
28	0521810547	JUNCTION AXIS		01
29	0501817779	FLAT WASHER		02
30	0503010523	1/4" X 2" COTTERPIN		02
31	0511064485	STABILIZER BAR ALQUIP		01



GASPCR - 22D  
ASSY FRAME - 22 D

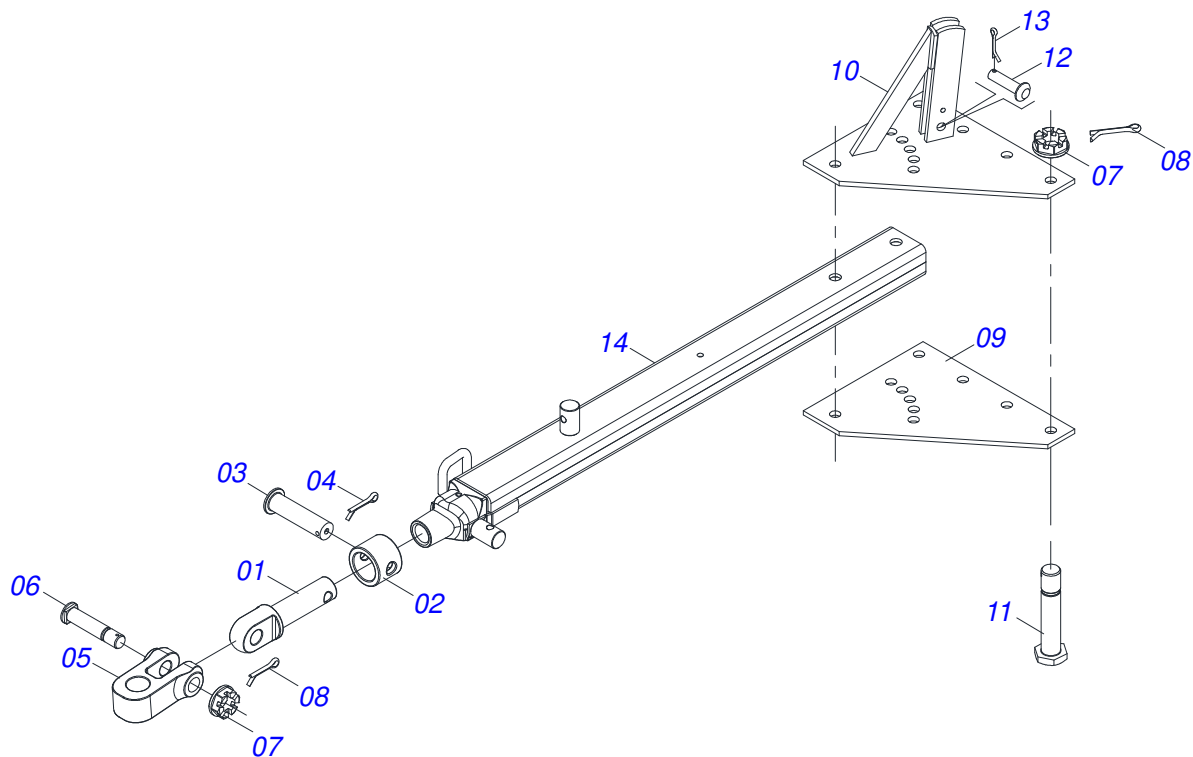
Item	Code	Description	See page	QT
32	0521810575	COUPLING SHAFT		01
33	0503010571	1/4" X 1.1/2 COTTERPIN		01
34	0521812538	COUPLING SHAFT		01
35	0503010523	1/4" X 2" COTTERPIN		01
36	0501067241	OFFSET BAR		01
37	0521812052	PIVOT SHAFT		02
38	0501811301	CASTLE NUT		02
39	0503010010	1/4" X 2.1/2" COTTERPIN		02
40	0511016121	STABILIZER BAR TOWER		01
41	0501066362	SPRING ROD		01
42	0521810592	COUPLING SHAFT		01
43	0503010523	1/4" X 2" COTTERPIN		01
44	1902020394	SPRING SUPPORT		03
45	0503031341	2.7 X 8 X 0.5 COMPRESSION SPRING		01
46	0501810087	NUT - 1.1/4 UNC 7FPP (SEXT.2) SA		02
47	0503010002	1800 GREASE FITTING		04
48	0503034003	SERIAL NUMBER TAG 61 X 118		01
49	0503010001	3.2 X 5.5 RIVET		04
50	0503060832	SET LABEL ADHESIVE		01
51	0501068260	RIGHT SUSPENSION TOWER		01
52	0503031428	READ MANUAL DECAL		01
53	0503031087	ADHESIVE LABEL		01
54	0503031827	LUBRICATE AND RETIGHTEN DAILY DECAL		01
55	0503034499	HOSE IDENTIFICATION DECAL		01
56	0503034078	LIFTING POINTS DECAL		04
57	0503033038	DANGER SIGN		01
58	0503031738	ADHESIVE LABEL		02
59	0503031739	ADHESIVE LABEL		01
60	0501068261	LEFT SUSPENSION TOWER		01
61	0501068706	DOUBLE CONNECTION		01
62	0501051043	HOSE ASSY	5	01
63	0501040257	3/4 X 1200 HOSE HOLDER A	6	01
64	0501041102	1-1/4" X 3-3/4" ASSY BOLT		08
64A	0501015348	1-1/4" X 3-3/4" BOLT		01
64B	0501010953	1-1/4" SQUARE WASHER		01
64C	0531010713	FLAT WASHER		01
64D	0503010070	SPRING WASHER		01
64E	0501010087	1.1/4" NUT		01
65	0502012702	BODY SUPPORT CLAMP		05
66	0501066386	TRANSPORT LOCK 9.54"		02
67	0503016137	1-1/4" WRENCH CABLE CYLINDER		01
68	0501061044	2-1/8" AND 2-1/2" CABLE FLAT WRENCH		02
69	0501061045	1" WRENCH CYLINDRICAL		01
70	0501011432	1-1/2" AND 1-5/8 GANG BOLT WRENCH		01
71	0511048088	DRAWBAR JACK	7	01
72	0503030012	HAIR PIN		01
73	0501060423	FRONT SCRAPER		11
74	0501060424	REAR SCRAPER		11
75	0581010270	GLOVE 48 X 59.30 X 76		02
76	0501068994	0.3" X 3.1" LOCK PIN		02
77	0503030168	HAIR PIN		03
78	0503012555	SCREW 7/16 UNC X 2 CS RT G.7 ZN		05
79	0503010180	7/16" SPRING WASHER		05
80	0561014251	COUPLING SHAFT		01
81	0503010002	1800 GREASE FITTING		08
82	0501053834	MALE QUICK COUPLER WITH CAP - 1/2 NPT	8	02
83	0503010233	5/8" X 2-1/2" BOLT		44
84	0501012140	FLAT WASHER		44
85	0503010027	5/8" SPRING WASHER		44



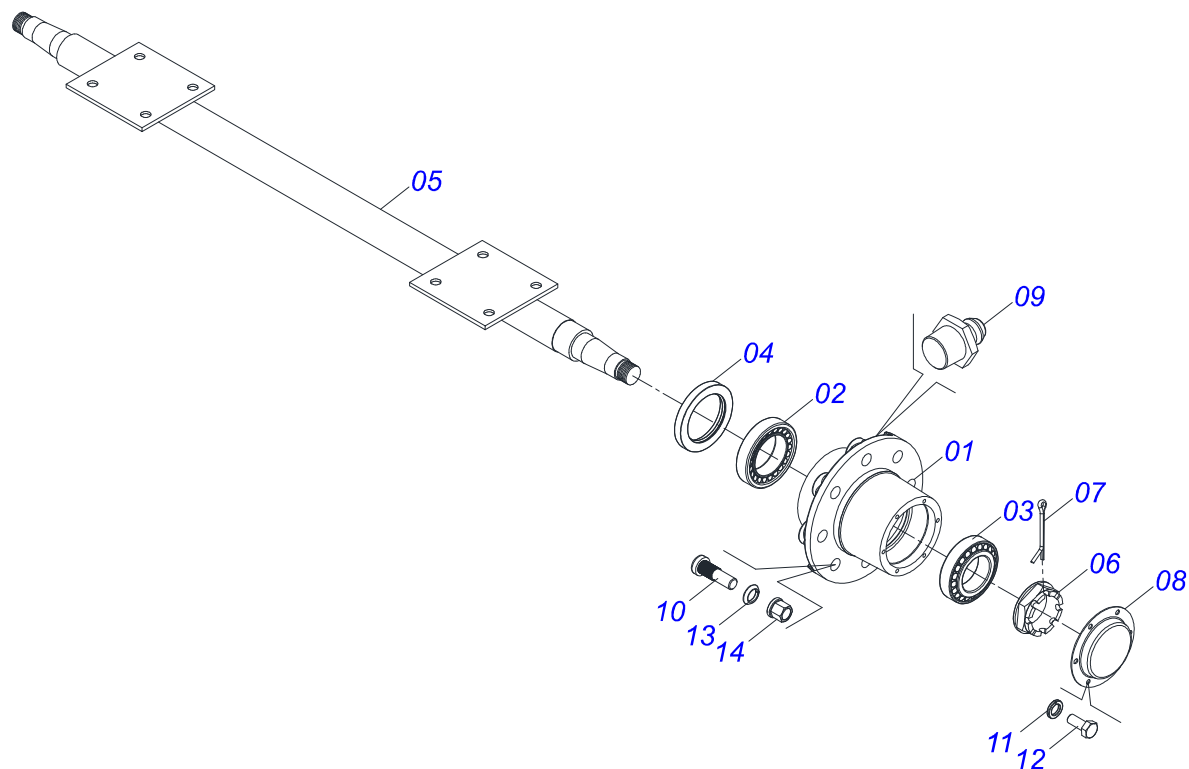
**GASPCR - 22D**  
**ASSY FRAME - 22 D**

Page 1  
0909095736

<b>Item</b>	<b>Code</b>	<b>Description</b>	<b>See page</b>	<b>QT</b>
86	0503010013	5/8" NUT		44
87	0501010299	SCRAPER LOCK		22
88	0909095737	FRONT DISCO SECTION - 22D	9	01
89	0909095738	REAR DISC SECTION - 22D	10	01

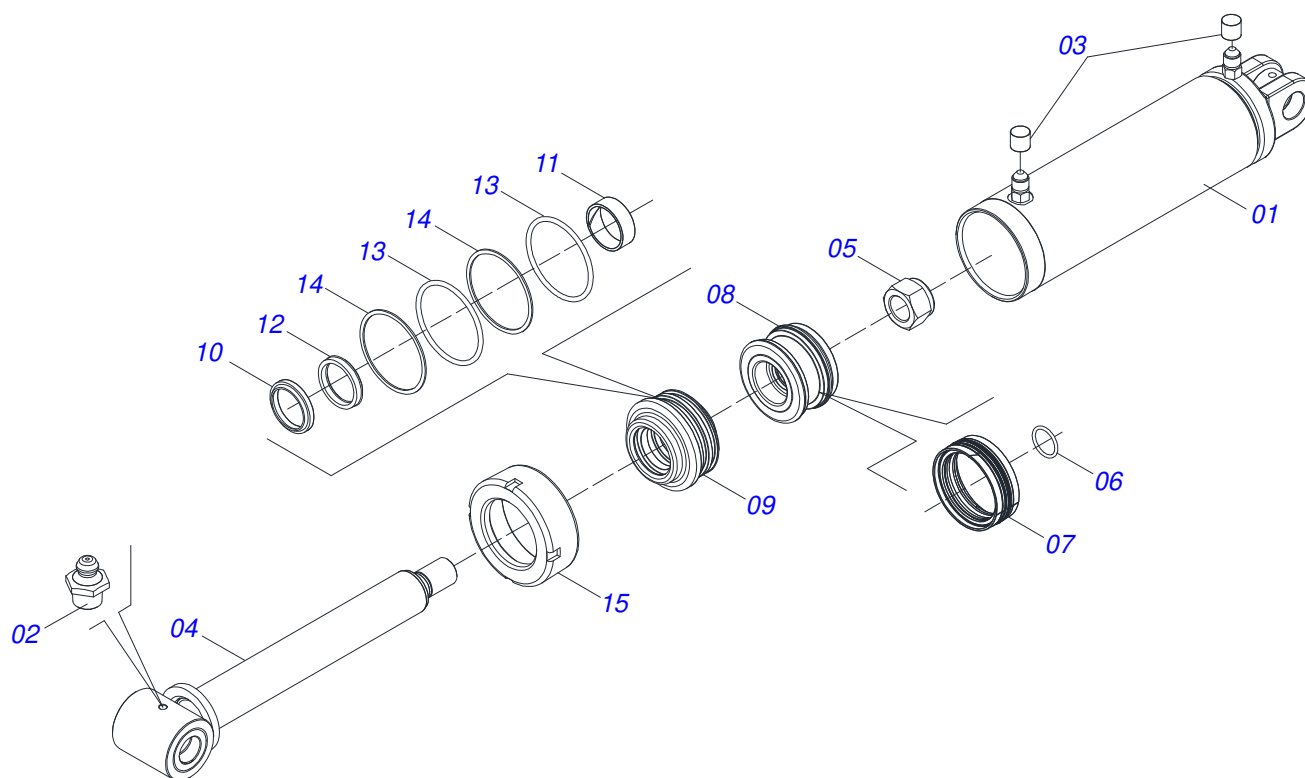


Item	Code	Description	See page	QT
01	0502040223	DRAWBOLT		01
02	0502040327	ANEL TRAVA ENGATE		01
03	0511014902	COUPLING SHAFT		01
04	0503010571	1/4" X 1.1/2 COTTERPIN		01
05	1902040733	U COUPLING HOOK		01
06	0521012545	COUPLING SHAFT		01
07	0501011301	1.1/2 UNC 6FPP 2.5/16 NUT		07
08	0503010010	1/4" X 2.1/2" COTTERPIN		07
09	0511016137	UPPER /LOWER PLATE		01
10	0501067250	UPPER PLATE WITH SUPPORT		01
11	0501016419	1-1/2" X 7.5" BOLT		06
12	0521010779	31.75 X 95 COUPLING SHAFT		01
13	0503010523	1/4" X 2" COTTERPIN		01
14	0501069323	DRAWBAR ASSY		01

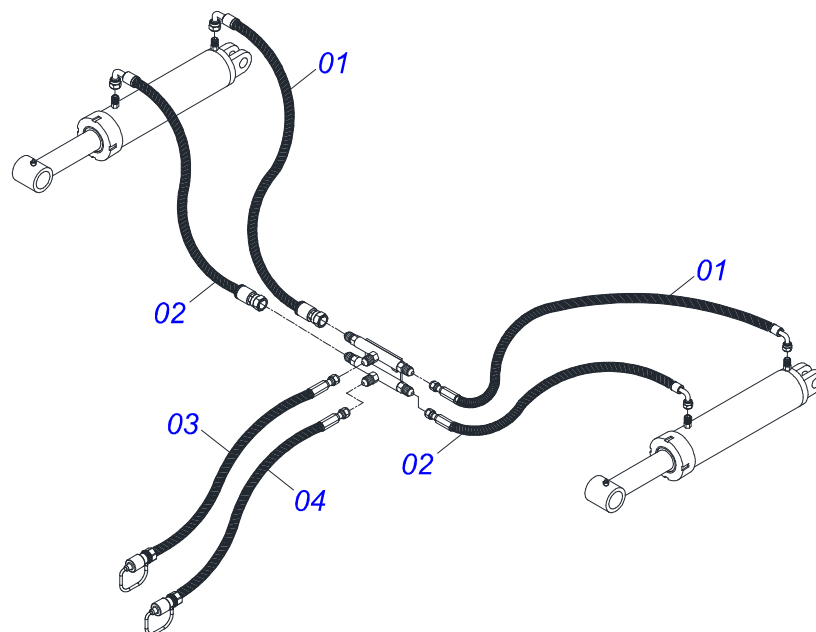


Item	Code	Description	See page	QT
01	0501110751	HUB AND SPINDLE WITH BOLT		02
02	0503010059	33287/33462 ROLLER BEARING		02
03	0503010007	3982/3920 ROLLER BEARING		02
04	0503010050	SEAL 00085-B		02
05	0501067251	3-1/2" X 84.1" AXLE		01
06	0502040080	2.1/2" SLOTTED NUT		02
07	0503011345	1/4" X 3-1/2" COTTERPIN		02
08	0541013225	WHEEL BOX COVER		02
09	0503010002	1800 GREASE FITTING		02
10	0503811339	BOLT		08
11	0503010179	5/16" ZN SPRING WASHER		16
12	0503010240	5/16" X 3/4" BOLT		16
13	0503811340	SPHERICAL SPRING WASHER		08
14	0503811341	NUT		08

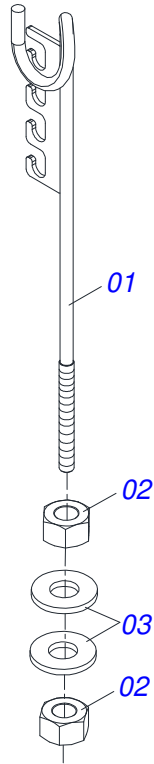




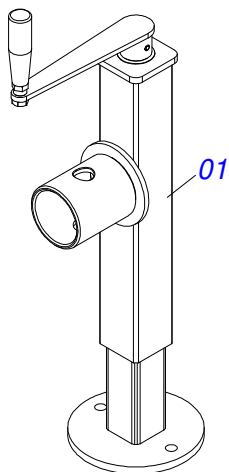
Item	Code	Description	See page	QT
01	0501067256	4" X 16" CYLINDER CASE		01
02	0503010002	1800 GREASE FITTING		02
03	0503030385	CYLINDER PLUG N-002		02
04	0521066345	50,80 X 452 TURNBUCLE		01
05	0503010817	1.1/4" SELF LOCKING NUT		01
06	0503010345	2-218 N 3006-9B O'RING		01
07	0503015633	SELEMASTER SEALING		01
08	0502012842	50,80 X 101,60 PISTON		01
09	0581010678	50,80 X 101 RING SUPPORT		01
10	0503015636	SCRAPER SEAL		01
11	0503018025	RING GUIDE		01
12	0503018026	1870-2000-375 B GASKET		01
13	0503010338	2-342 N 3006-9B O'RING		02
14	0503011061	8-342 BACK-UP RING		02
15	0502012822	101.60 END CAP		01



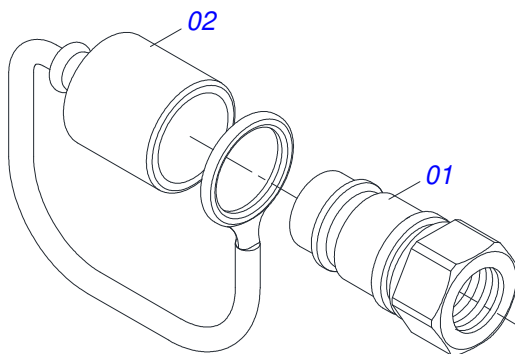
Item	Code	Description	See page	QT
01	0501080054	3/8" X 17" TR-TC HOSE ASSY		02
02	0501080413	3/8" X 27" TR-TC HOSE		02
03	0501080458	3/8" X 315" TC-TM HOSE ASSY		01
04	0501080459	3/8" X 322" TC-TM HOSE ASSY		01



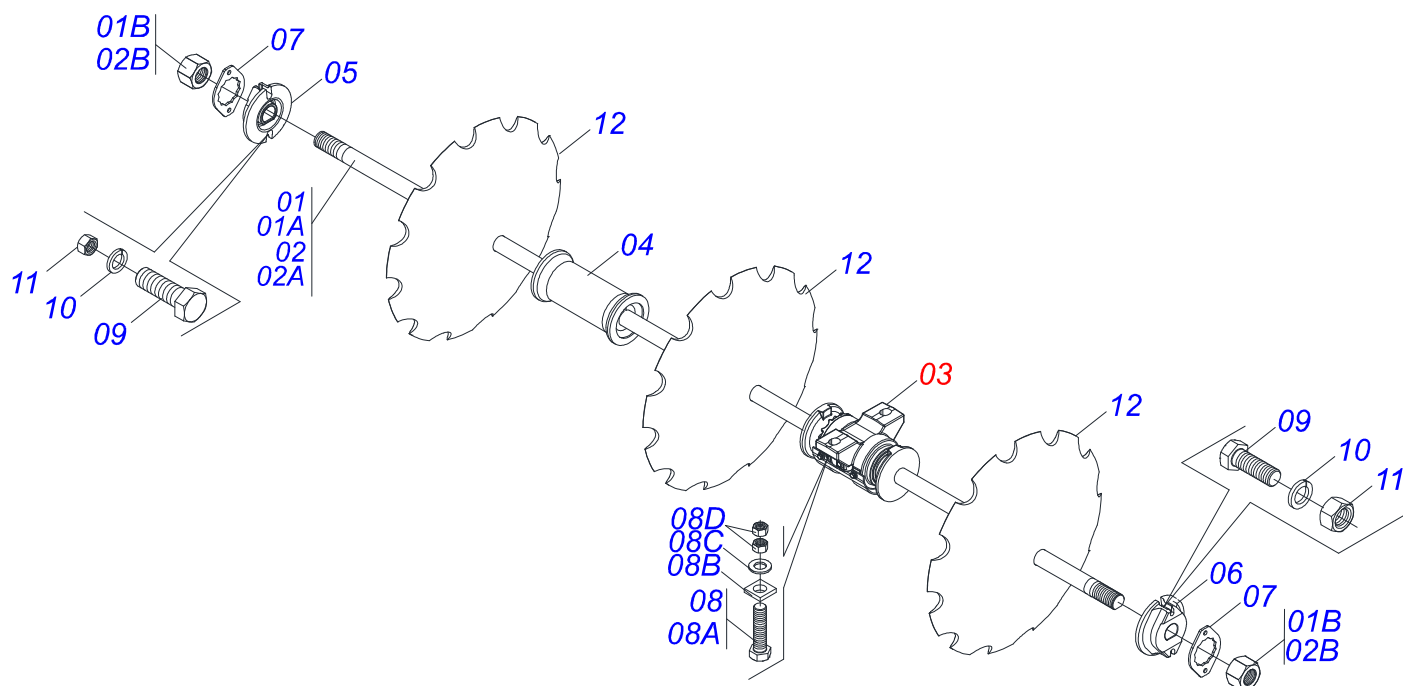
Item	Code	Description	See page	QT
01	0511067334	HOSE SOPPORT ASSY		01
02	0503010014	3/4" NUT		02
03	0501010322	FLAT WASHER		02



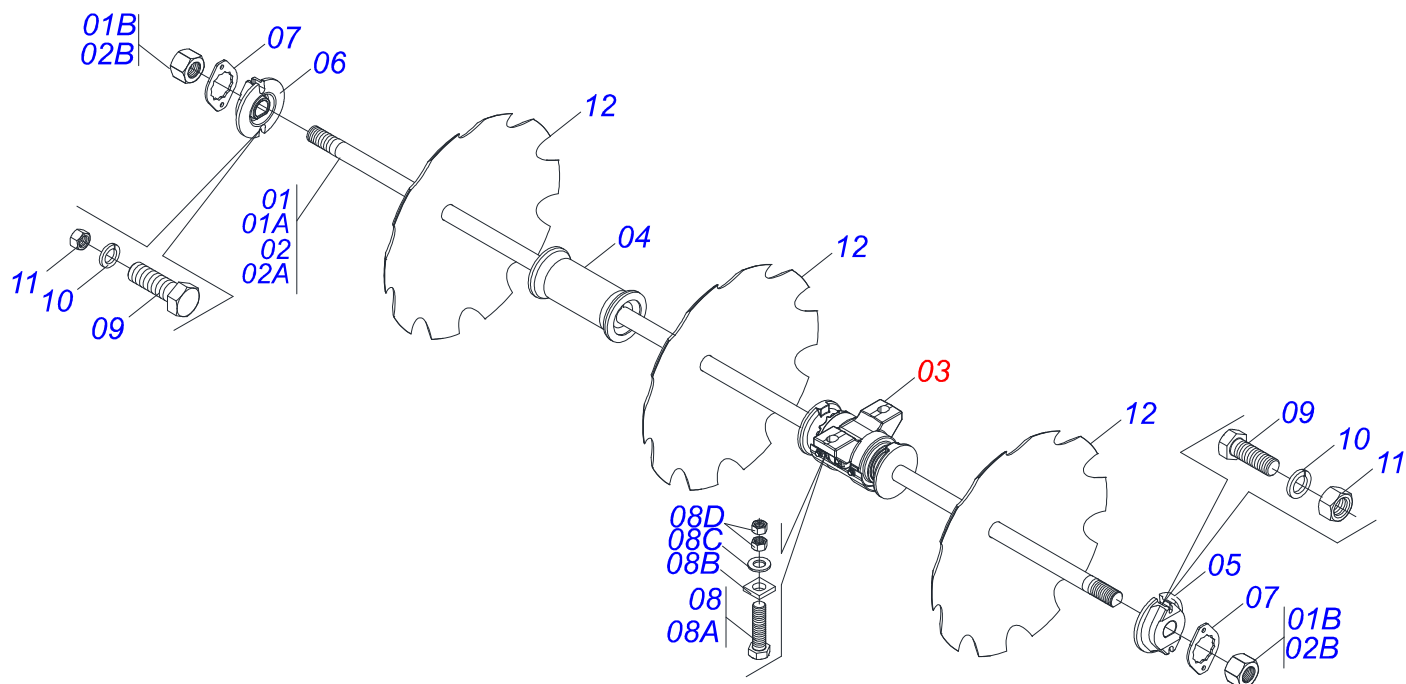
Item	Code	Description	See page	QT
01	0503062227	DRAWBAR JACK		01



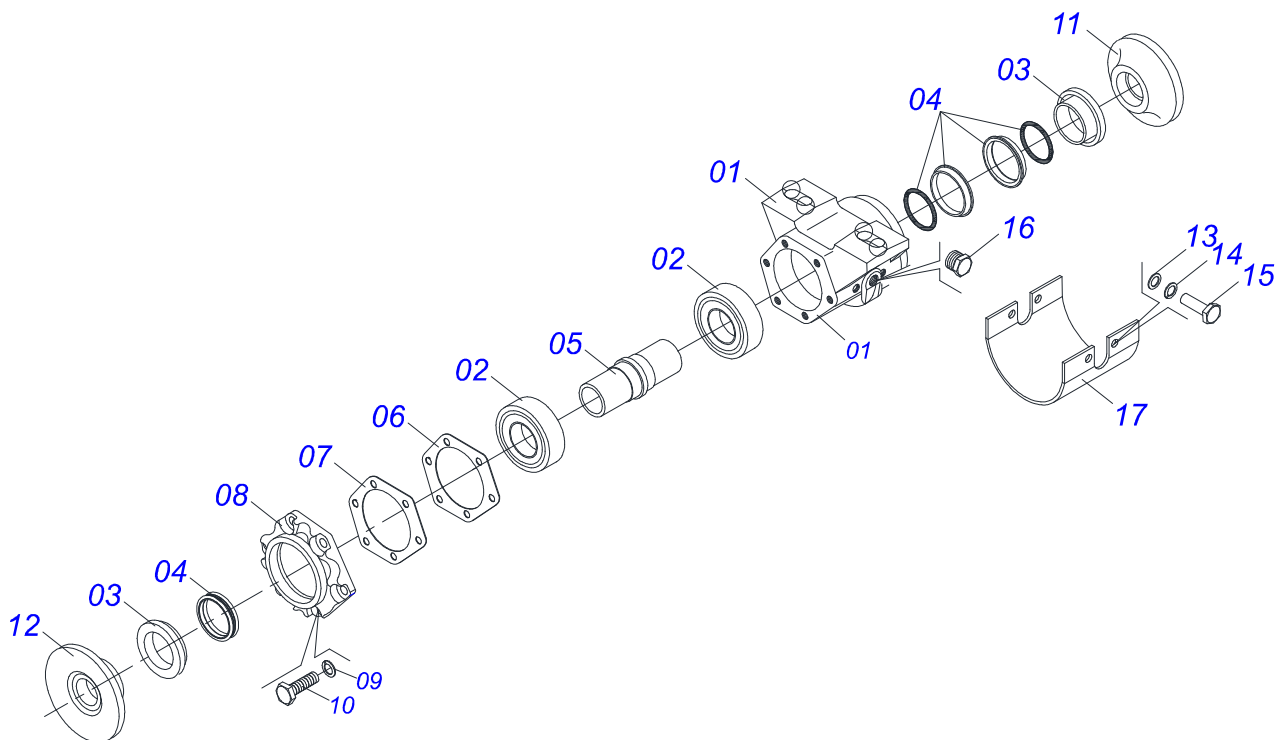
Item	Code	Description	See page	QT
01	0503011627	MALE QUICK COUPLER AGR 1/2 NPT		01
02	0503011882	MALE QUICK COUPLER CAP		01



Item	Code	Description	See page	QT
01	0501040690	2-1/2" X 80" AXLE WITH NUTS		01
01A	0501010357	2-1/2" X 80" AXLE		01
01B	0502040064	2.1/2"SNC X 70 99 NUT		02
02	0501040691	2-1/2" X 97" AXLE WITH NUTS		01
02A	0501010356	2-1/2" X 97" AXLE		01
02B	0502040064	2.1/2"SNC X 70 99 NUT		02
03	0501046900	430MM X 2-1/2" RD. OIL BATH BEARING	11	04
04	0502012220	2-1/2" X 17" SPACER		05
05	0502010592	2-1/2" INNER AXLE WASHER		02
06	0502010593	2-1/2" EXTERNAL AXLE WASHER		02
07	0541010368	NUT LOCK		04
08	0501041301	1-1/4"X 5-3/4" ASSY BOLT		08
08A	0501010954	1-1/4" X 5-3/4" BOLT		01
08B	0501010953	1-1/4" SQUARE WASHER		01
08C	0531010713	FLAT WASHER		01
08D	0501010087	1.1/4" NUT		02
09	0503010232	5/8" X 1.3/4" BOLT		08
10	0501012140	FLAT WASHER		08
11	0503010013	5/8" NUT		08
12	0602048002	36" X 0.5" NOTCHED DISC BLADE		11



Item	Code	Description	See page	QT
01	0501040690	2-1/2" X 80" AXLE WITH NUTS		01
01A	0501010357	2-1/2" X 80" AXLE		01
01B	0502040064	2.1/2"SNC X 70 99 NUT		02
02	0501040691	2-1/2" X 97" AXLE WITH NUTS		01
02A	0501010356	2-1/2" X 97" AXLE		01
02B	0502040064	2.1/2"SNC X 70 99 NUT		02
03	0501046900	430MM X 2-1/2" RD. OIL BATH BEARING	11	04
04	0502012220	2-1/2" X 17" SPACER		05
05	0502010592	2-1/2" INNER AXLE WASHER		02
06	0502010593	2-1/2" EXTERNAL AXLE WASHER		02
07	0541010368	NUT LOCK		04
08	0501041301	1-1/4"X 5-3/4" ASSY BOLT		08
08A	0501010954	1-1/4" X 5-3/4" BOLT		01
08B	0501010953	1-1/4" SQUARE WASHER		01
08C	0531010713	FLAT WASHER		01
08D	0501010087	1.1/4" NUT		02
09	0503010232	5/8" X 1.3/4" BOLT		08
10	0501012140	FLAT WASHER		08
11	0503010013	5/8" NUT		08
12	0602048002	36" X 0.5" NOTCHED DISC BLADE		11



Item	Code	Description	See page	QT
01	0502012415	HOUSING BEARING		01
02	0503010118	32218 BEARING		02
03	0502040119	SEAL RETAINER		02
04	0503030029	SEAL # LP JB-259		02
05	0502040039	AXLE		01
06	0503030537	8.3" X 6.3" X 0.01" JOINT		02
07	0503030687	8.3" X 6.3" X 0.004" JOINT		01
08	0502010644	HOUSING CAP DM		01
09	0503010019	1/2" SPRING WASHER		06
10	0503010920	1/2" X 1.1/2" BOLT		06
11	0502040165	INNER FLANGE		01
12	0502040164	OUTER FLANGE		01
13	0511017302	FLAT WASHER		04
14	0503010019	1/2" SPRING WASHER		04
15	0503010834	1/2 X 1 BOLT		04
16	0503010856	OIL PLUG		02
17	0521062889	PROTECTION CAP		01
18	3402301247	MINERAL OIL GREASE		01







**MARCHESAN**

**Technical Publications | Elaboration and Revision**

LORENA ROCHA ALVES

[www.marchesan.com.br](http://www.marchesan.com.br)

