

PCA - AGRICULTURAL FRONT LOADER

**PCA 600 2C JD 5075/5078/5080/5085/5090 BT
SC S/AC**

Code: 0501092956

Series: S-0117

Revision: 00

Date Revision: ABRIL/2021

PARTS CATALOGUE



MARCHESAN



PRODUCTS

Code	Description
0106111742	PCA 600 2C JD BT SC S/AC

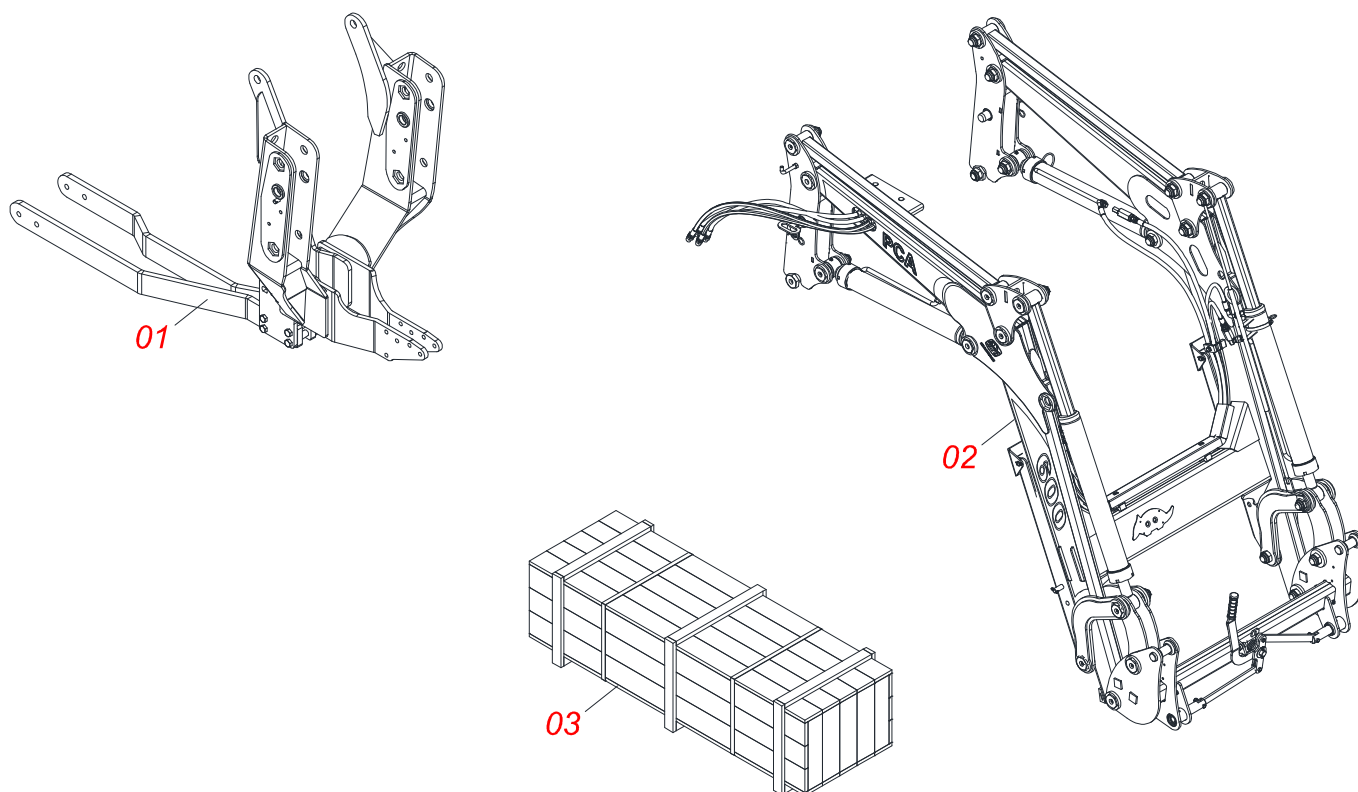
ATTENTION: IMPORTANT

Marchesan S.A. reserves the right to improve and / or modify the technical features of its products, without obligation to do the same with those products already sold and without prior knowledge of the dealer or the consumer.

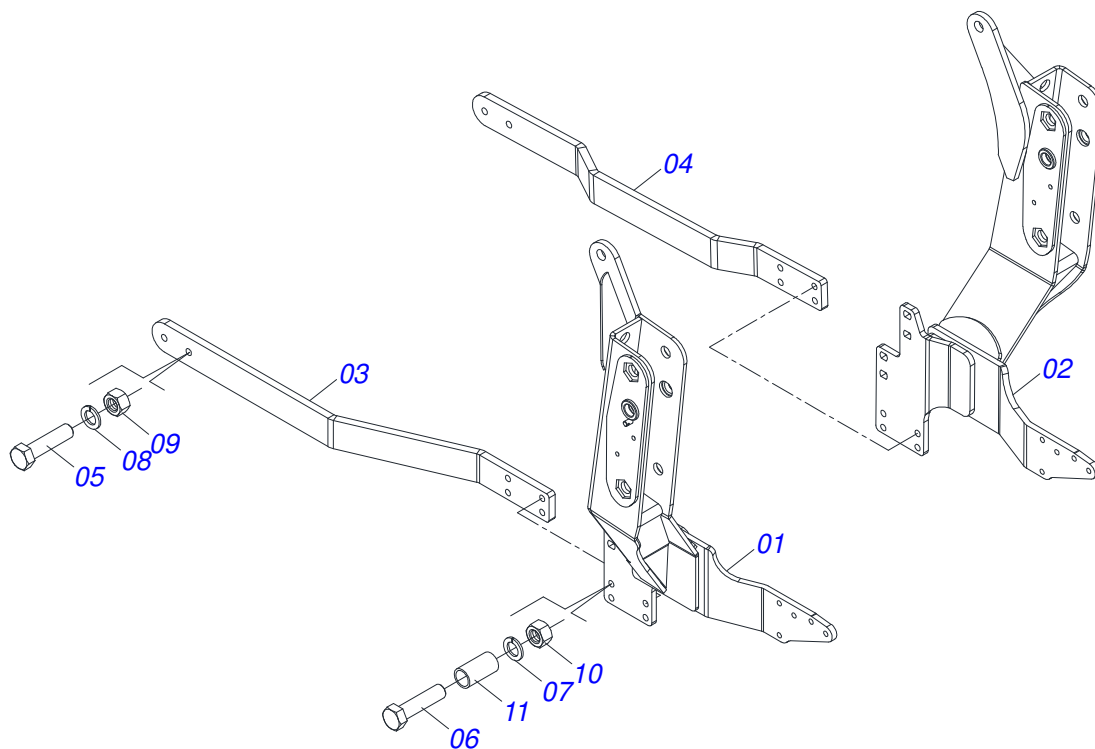


INDEX

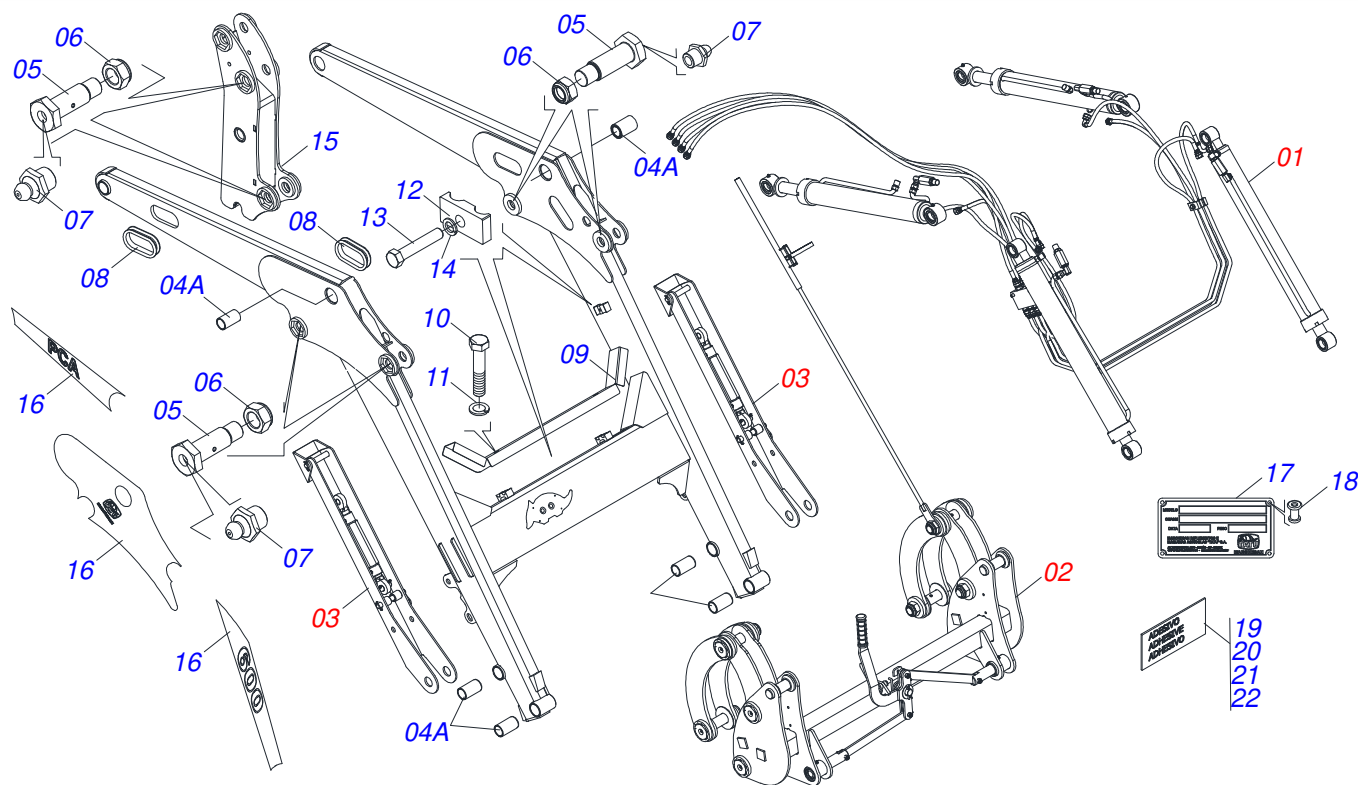
0106111742	PCA 600 2C JD BT SC S/AC	1
0521047201	WITH REAR BAR CHASSIS SET	2
0521046965	FULL MOBILE STAND	3
0909092479	HYDR CIRCUIT MOBILE HOLDER PCA 600	4
0521050256	RIGHT HYDRAULIC CYLINDER 44,45 X 76,20 X 845 X 555	5
0521050255	LEFT HYDRAULIC CYLINDER 44,45 X 76,20 X 845 X 555	6
0521045380	RIGHT HYDRAULIC CYLINDER Ø44,45 X Ø76,10 X 918	7
0521045379	LEFT HYDRAULIC CYLINDER Ø44,45 X Ø 76,10 X 918	8
0511057772	SECURITY VALVE ASSY	9
0909092474	ARTICULATOR ASSEMBLY	10
0909092475	RESTING WITH NUT MOUNT HOLDER	11
0521023237	BOX WITH COMPONENTS	12
0511043351	1.1/4" X 40" ROD	13
0511032681	PIECES PACKED	14
0501053834	MALE QUICK COUPLER WITH CAP - 1/2 NPT	15



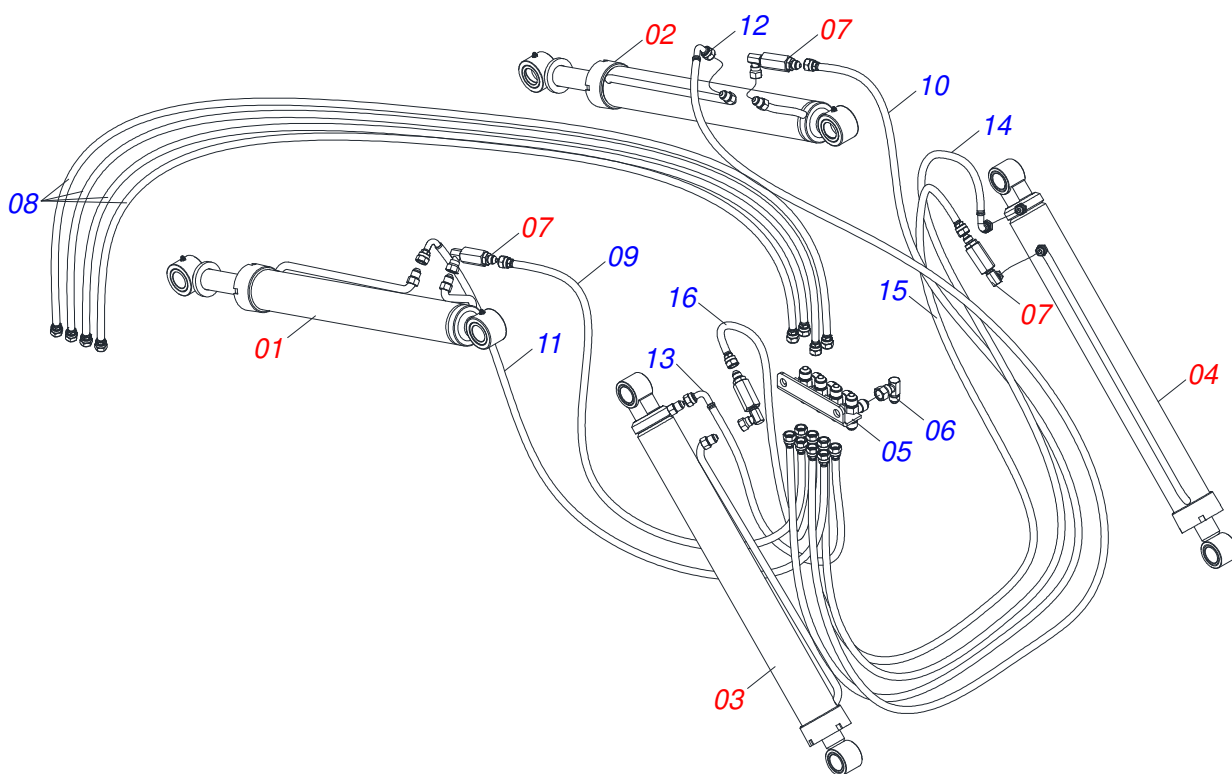
Item	Code	Description	See page	QT
01	0521047201	WITH REAR BAR CHASSIS SET	2	01
02	0521046965	FULL MOBILE STAND	3	01
03	0521023237	BOX WITH COMPONENTS	12	01



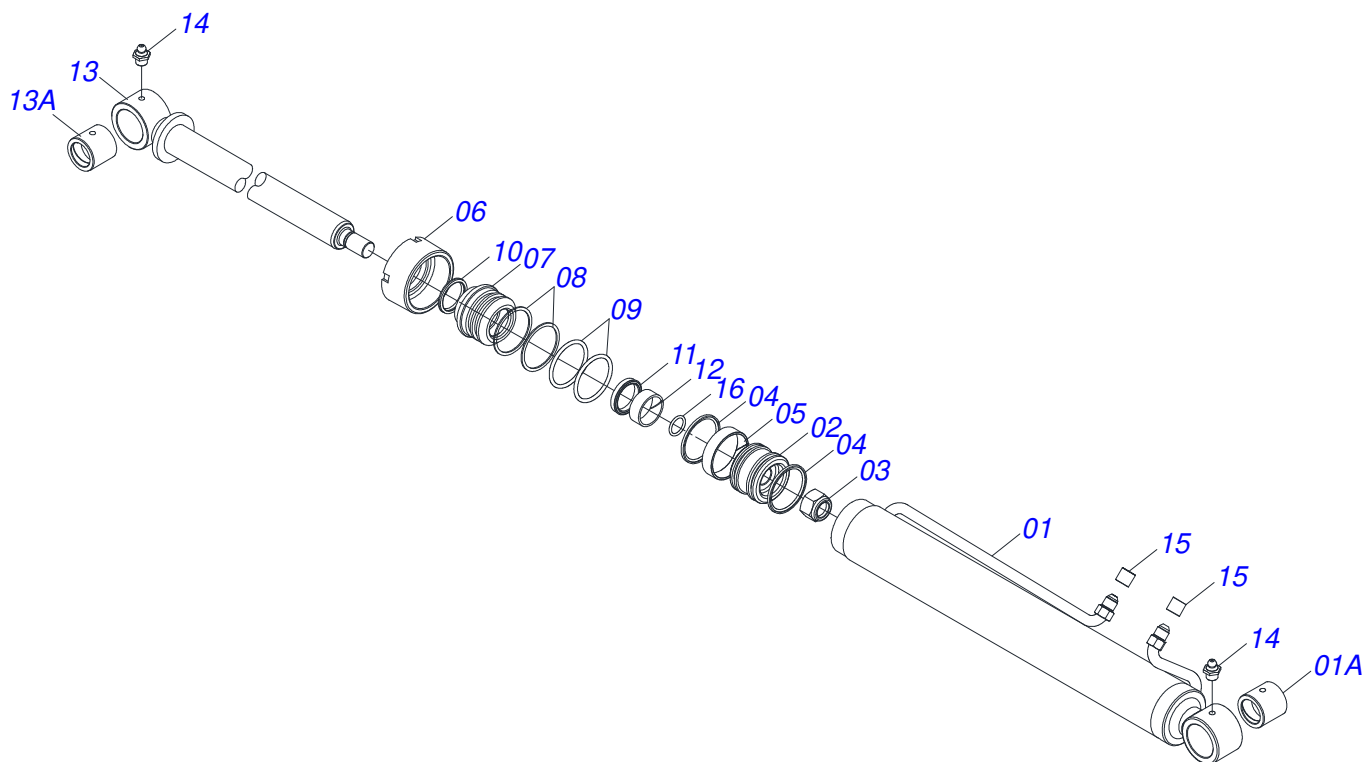
Item	Code	Description	See page	QT
01	0521067739	FRAME RIGHT		01
02	0521067740	FRAME LEFT		01
03	0581012569	RIGHT REAR BAR		01
04	0581012570	LEFT REAR BAR		01
05	0503010233	5/8" X 2-1/2" BOLT		02
06	0503011084	3/4" X 5" BOLT		04
07	0503010023	3/4" SPRING WASHER		04
08	0503010027	5/8" SPRING WASHER		02
09	0503010013	5/8" NUT		02
10	0503010014	3/4" NUT		04
11	0581015170	SLEEVE		04



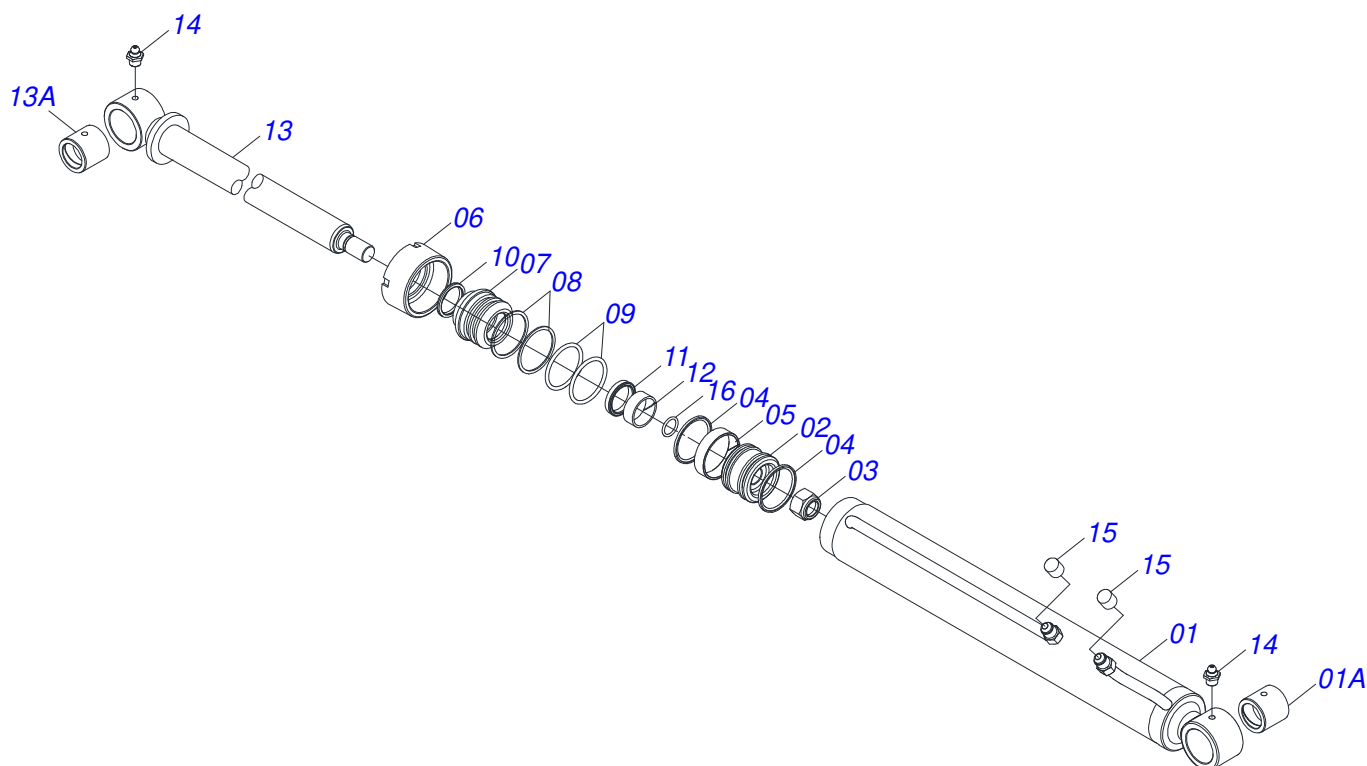
Item	Code	Description	See page	QT
01	0909092479	HYDR CIRCUIT MOBILE HOLDER PCA 600	4	01
02	0909092474	ARTICULATOR ASSEMBLY	10	01
03	0909092475	RESTING WITH NUT MOUNT HOLDER	11	01
04	0521067475	MOBILE SUPPORT		01
04A	0501110800	Ø37,70 X Ø55 X 80 BUSHING PCA-T 1500		08
05	0581013575	1.1/4 UNF X 85 BOLT		04
06	0503010044	1-1/4" SELF LOCKING NUT		04
07	0503010002	1800 GREASE FITTING		04
08	0503034364	HOSE PROTECTOR		02
09	0521065758	PIPELINE PROTECTION		01
10	0503012555	SCREW 7/16 UNC X 2 CS RT G.7 ZN		02
11	0503010180	7/16" SPRING WASHER		02
12	1902010477	UPPER CLAMP BODY		03
13	0503012555	SCREW 7/16 UNC X 2 CS RT G.7 ZN		01
14	0503010180	7/16" SPRING WASHER		01
15	0521067487	MOBILE TOWER		02
16	0503062658	SET LABEL ADHESIVE PCA 600 2C		01
17	0503034003	SERIAL NUMBER TAG 61 X 118		01
18	0503010001	3.2 X 5.5 RIVET		04
19	0503034078	LIFTING POINTS DECAL		03
20	0503031087	ADHESIVE LABEL		01
21	0503031428	READ MANUAL DECAL		01
22	0503031827	LUBRICATE AND RETIGHTEN DAILY DECAL		01



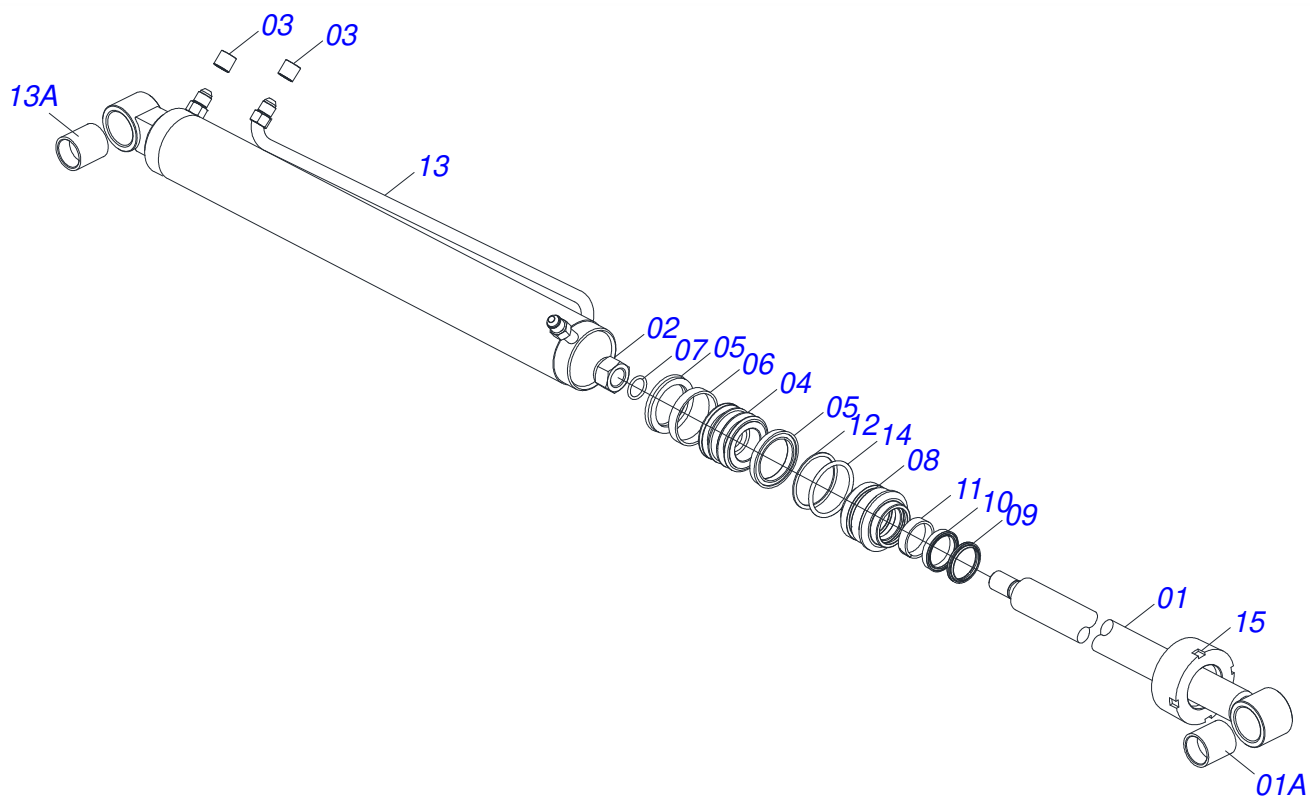
Item	Code	Description	See page	QT
01	0521050256	RIGHT HYDRAULIC CYLINDER 44,45 X 76,20 X 845 X 555	5	01
02	0521050255	LEFT HYDRAULIC CYLINDER 44,45 X 76,20 X 845 X 555	6	01
03	0521045380	RIGHT HYDRAULIC CYLINDER Ø44,45 X Ø76,10 X 7918		01
04	0521045379	LEFT HYDRAULIC CYLINDER Ø44,45 X Ø 76,10 X 8918		01
05	0521069023	HOSE DIVIDER PCA 600 2C		01
06	0503018034	MALE KNEE JIC		04
07	0511057772	SECURITY VALVE ASSY	9	04
08	0501080452	3/8" X 98" TR-TR HOSE		04
09	0501080127	HOSE		01
10	0501080483	3/8" X 86,6" TR-TR HOSE		01
11	0501080348	TR-TC HOSE ASSY		01
12	0501080451	3/8" X 94,5" TR-TC HOSE ASSY		01
13	0501080375	3/8 X 23.6" TR-TC HOSE ASSY		01
14	0501080419	3/8 X 82.6" TR-TC HOSE ASSY		01
15	0501080320	3/8" X 82,6" TR-TR HOSE		01
16	0501080027	3/8" X 39,3" TR-TR HOSE ASSY		01



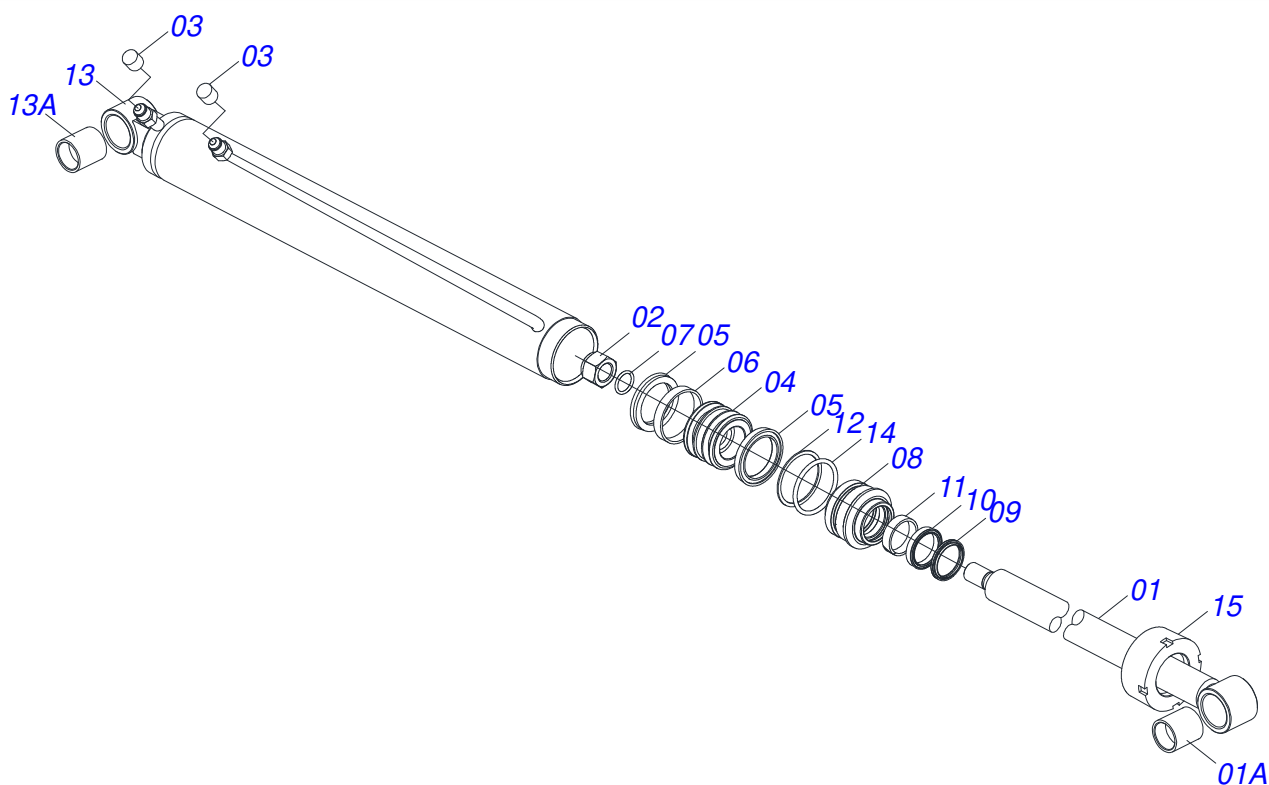
Item	Code	Description	See page	QT
01	0521067485	76,20 X 740,50 RIGHT CYLINDER CASE		01
01A	0521010514	38,1 X 52,9 X 50 SLEEVE INTER		01
02	0581010304	PISTON		01
03	0503010063	1" SELF-ALIGNING NUT		01
04	0503018138	RING BS		02
05	0503018140	RING GUIDE		01
06	0502011899	MOBILE COVER		01
07	0581010301	RING SUPPORT		01
08	0503011059	8-334 BACK-UP RING		02
09	0503010343	2-334 N 3006-9B O'RING		02
10	0503010761	D-1750 SCRAPER RING		01
11	0503017937	GASKET		01
12	0503017938	RING GUIDE		01
13	0521067543	44,45 X 774 AIR TURNBUCKLE		01
13A	0521010514	38,1 X 52,9 X 50 SLEEVE INTER		01
14	0503010002	1800 GREASE FITTING		02
15	0503030385	CYLINDER PLUG N-002		02
16	0503010042	2-214 N 3006-9B O'RING		01



Item	Code	Description	See page	QT
01	0521067486	76,20 X 740,50 LEFT CYLINDER CASE		01
01A	0521010514	38,1 X 52,9 X 50 SLEEVE INTER		01
02	0581010304	PISTON		01
03	0503010063	1" SELF-ALIGNING NUT		01
04	0503018138	RING BS		02
05	0503018140	RING GUIDE		01
06	0502011899	MOBILE COVER		01
07	0581010301	RING SUPPORT		01
08	0503011059	8-334 BACK-UP RING		02
09	0503010343	2-334 N 3006-9B O'RING		02
10	0503010761	D-1750 SCRAPER RING		01
11	0503017937	GASKET		01
12	0503017938	RING GUIDE		01
13	0521067543	44,45 X 774 AIR TURNBUCKLE		01
13A	0521010514	38,1 X 52,9 X 50 SLEEVE INTER		01
14	0503010002	1800 GREASE FITTING		02
15	0503030385	CYLINDER PLUG N-002		02
16	0503010042	2-214 N 3006-9B O'RING		01

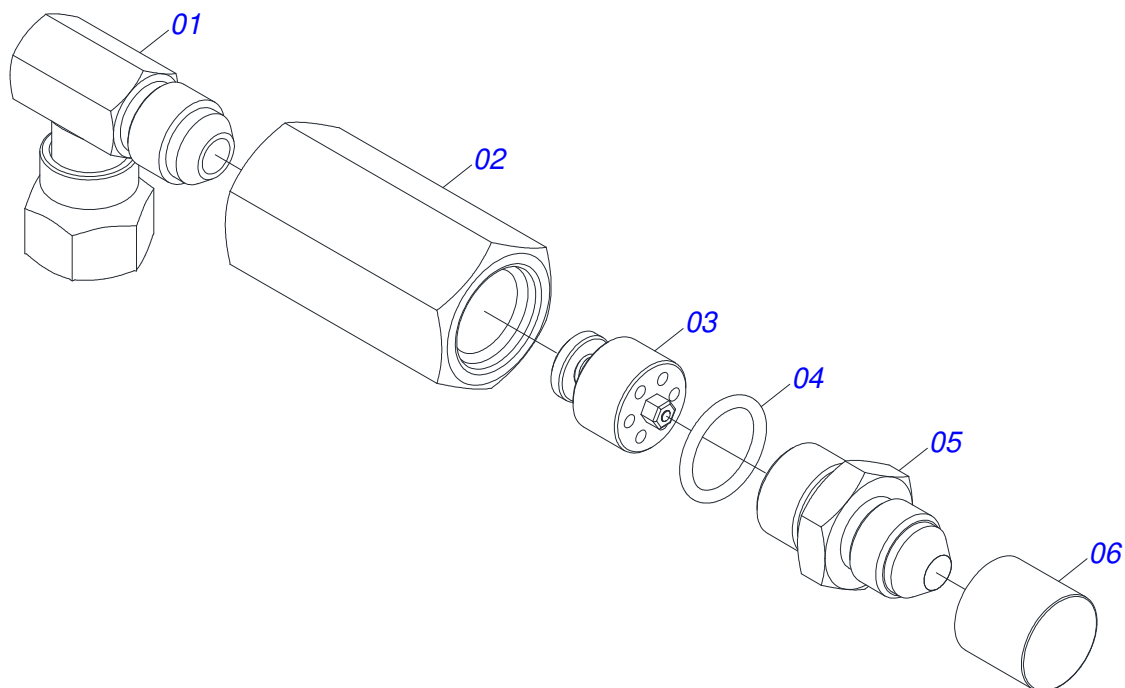


Item	Code	Description	See page	QT
01	0521065843	RIGHT CYLINDER CASE WITH EXTENSION		01
01A	0571018084	37,80/37,90 X 48,17/48,12 X 50 SLEEVE INTER		01
02	0503010063	1" SELF-ALIGNING NUT		01
03	0503030385	CYLINDER PLUG N-002		02
04	0502011898	1.8" X 3.0" PISTON		01
05	0503012768	3750-2250 GASKET		02
06	0503010992	W2-3000-500 PK RING G.E		01
07	0503010042	2-214 N 3006-9B O'RING		01
08	0502011897	RING SUPPORT		01
09	0503010761	D-1750 SCRAPER RING		01
10	0503010990	GASKET		01
11	0503010949	W2-2000-500 PK RING G.E		01
12	0503011059	8-334 BACK-UP RING		01
13	0521065845	Ø 44,45 X 839 WELDED ARTICULATOR		01
13A	0571018084	37,80/37,90 X 48,17/48,12 X 50 SLEEVE INTER		01
14	0503010343	2-334 N 3006-9B O'RING		01
15	0502011899	MOBILE COVER		01



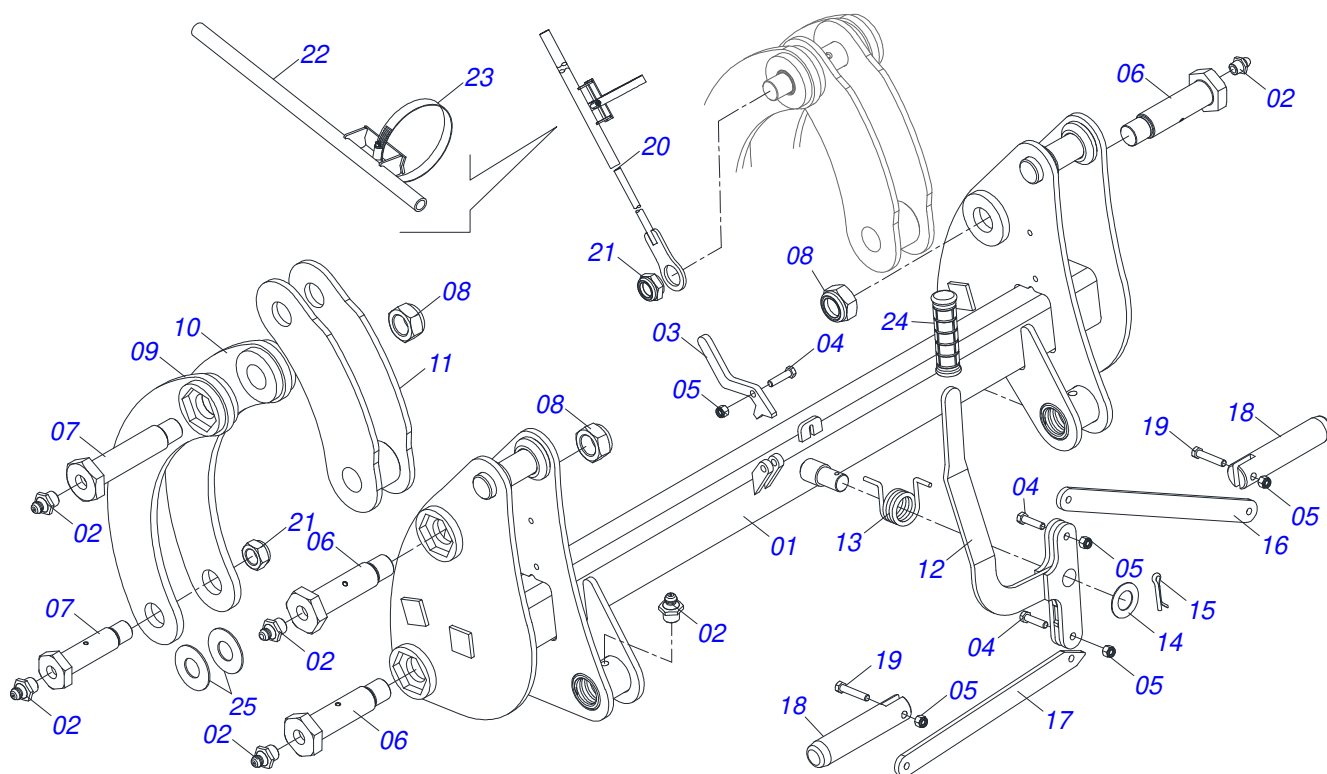
Item	Code	Description	See page	QT
01	0521065842	CYLINDER CASE WITH EXTENSION		01
01A	0571018084	37,80/37,90 X 48,17/48,12 X 50 SLEEVE INTER		02
02	0503010063	1" SELF-ALIGNING NUT		01
03	0503030385	CYLINDER PLUG N-002		02
04	0502011898	1.8" X 3.0" PISTON		01
05	0503012768	3750-2250 GASKET		02
06	0503010992	W2-3000-500 PK RING G.E		01
07	0503010042	2-214 N 3006-9B O'RING		01
08	0502011897	RING SUPPORT		01
09	0503010761	D-1750 SCRAPER RING		01
10	0503010990	GASKET		01
11	0503010949	W2-2000-500 PK RING G.E		01
12	0503011059	8-334 BACK-UP RING		01
13	0521065845	Ø 44,45 X 839 WELDED ARTICULATOR		01
14	0503010343	2-334 N 3006-9B O'RING		01
15	0502011899	MOBILE COVER		01

SECURITY VALVE ASSY

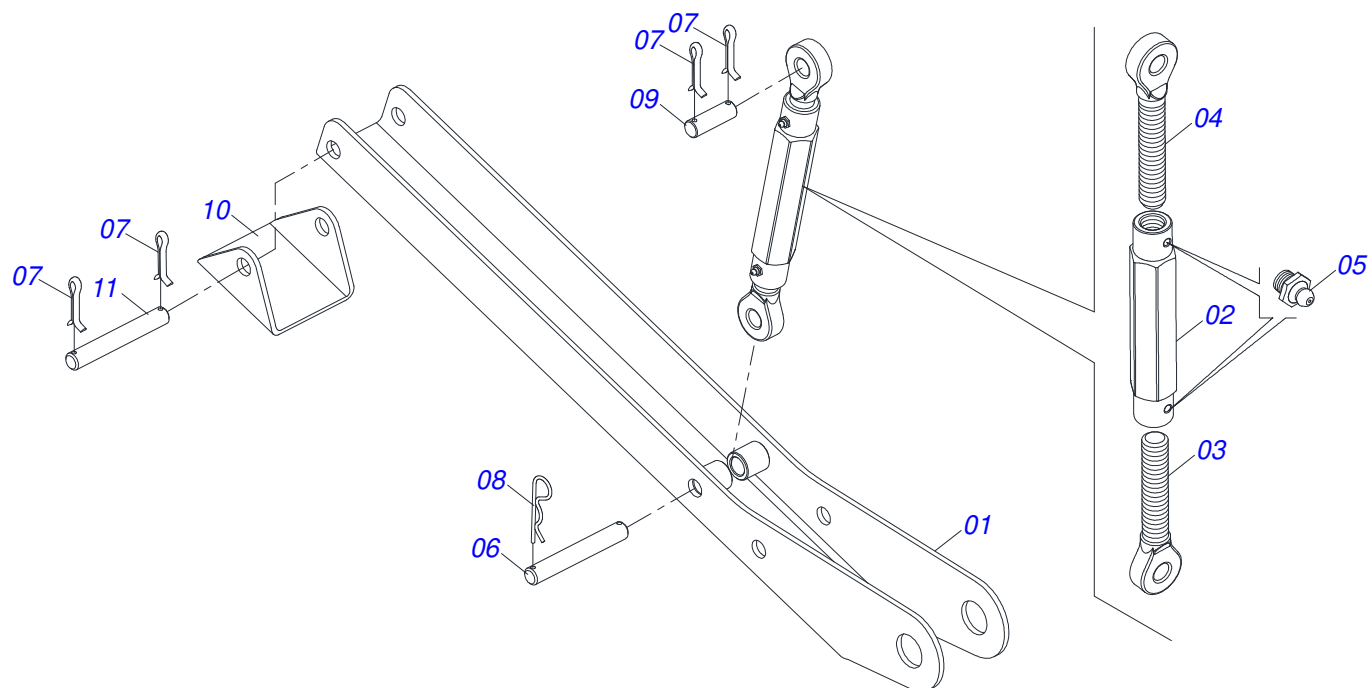


Item	Code	Description	See page	QT
01	0503018034	MALE KNEE JIC		01
02	0581014055	ADAPTER		01
03	0503016854	VALVE ASSY		01
04	0503010045	O'RING		01
05	0581014054	BSP 1/2" NIPPLE		01
06	0503030385	CYLINDER PLUG N-002		01

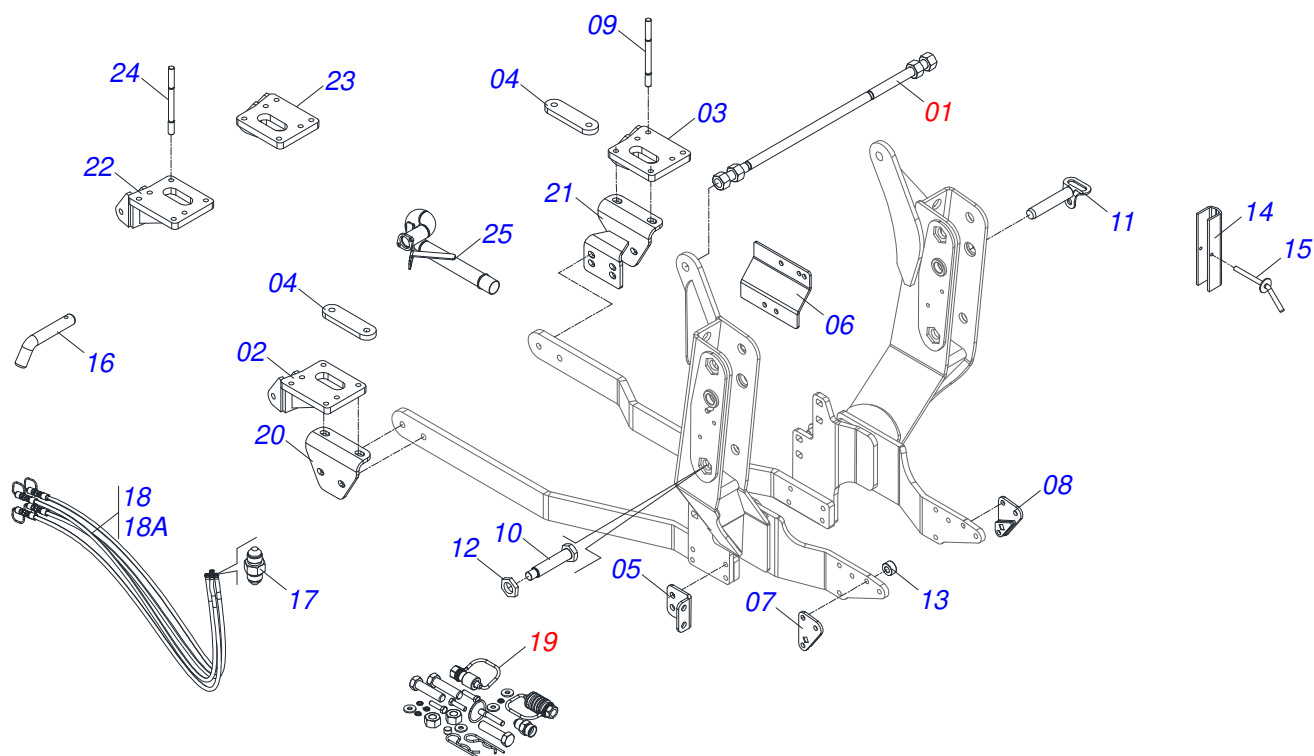
ARTICULATOR ASSEMBLY



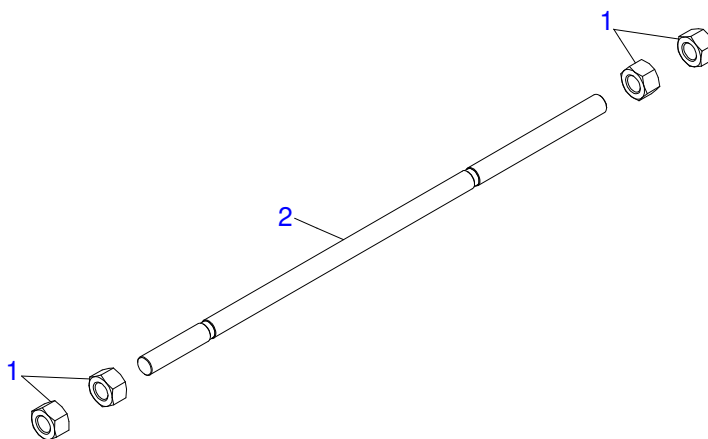
Item	Code	Description	See page	QT
01	0521065697	ARTICULATOR	01	
02	0503010002	1800 GREASE FITTING	10	
03	0571018934	PENDULUM LOCKS	01	
04	0503010849	3/8" X 1-1/2" BOLT	03	
05	0503013357	3/8" SELF-ADJUSTING NUT	05	
06	0571018264	1.1/4" UNF X 149 ZN BOLT	04	
07	0571018245	1.1/4" UNF X 139 BOLT	04	
08	0503010044	1-1/4" SELF LOCKING NUT	07	
09	0521067473	EXTERNAL ARM OF THE ARTICULATOR	02	
10	0521067474	INTERNAL ARM OF THE ARTICULATOR	02	
11	0521067478	LOWER ARTICULATOR	02	
12	0521065888	LEVER	01	
13	0503034192	TORSION SPRING	01	
14	0561811883	28,5 X 51,5 X 1,50 SA FLAT WASHER	01	
15	0503010523	1/4" X 2" COTTERPIN	01	
16	0571018935	SPRING SUPPORT ARM	01	
17	0571018125	RIGHT ARM OF THE UNLOCK	01	
18	0571018129	PIN LOCK ACCESSORY	02	
19	0503011236	3/8" X 2" BOLT	02	
20	0521068692	LEVEL ROD	01	
21	0571018205	1.1/4"XUNF NUT WITH RECESS	01	
22	0521067968	ROD GUIDE	01	
23	0503011372	102 TO 121 CLAMP	01	
24	0503037382	Ø25 X 120 PVC HANDLE	01	
25	0551014871	FLAT WASHER	04	



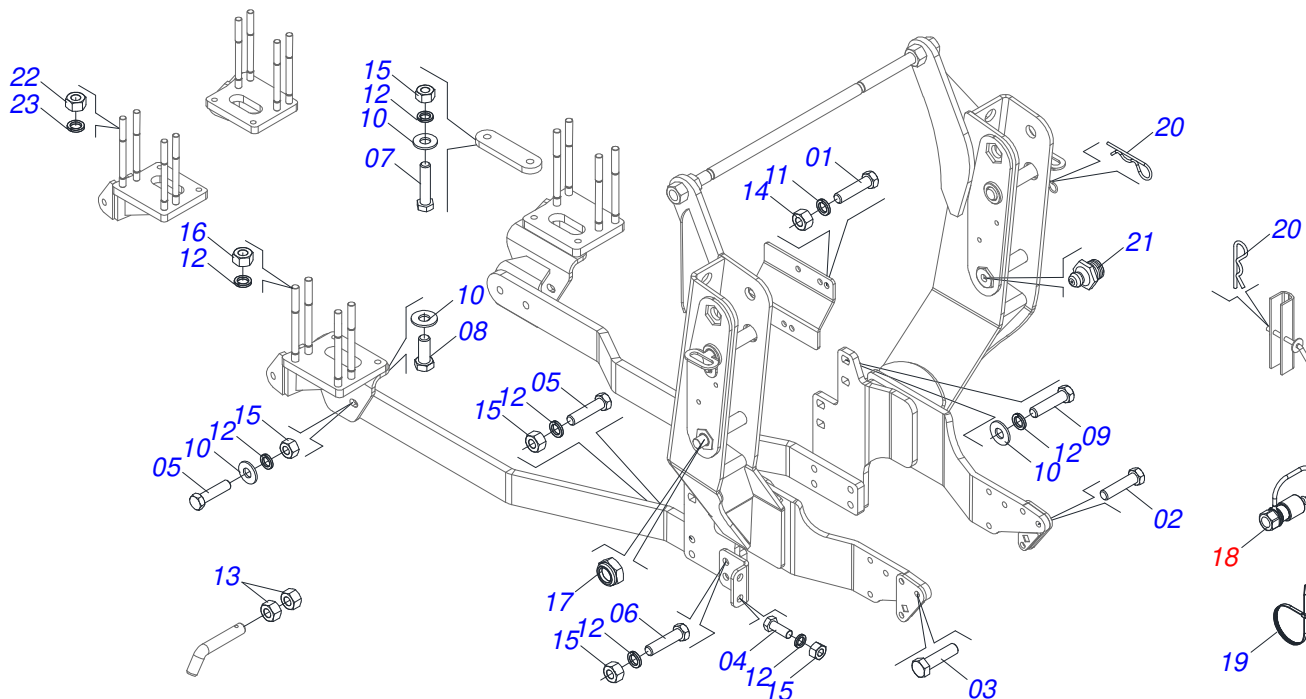
Item	Code	Description	See page	QT
01	0521065756	PLOUGH SUPPORT BODY		02
02	0502012530	REGULATOR NUT BODY R1		02
03	0502012562	LEFT SPINDLE R1 X 160		02
04	0502012529	RIGHT SPINDLE R1 X 160		02
05	0503010002	1800 GREASE FITTING		04
06	0511013598	3/4" X 4.7" COUPLING SHAFT		02
07	0503010071	3/16" X 1" COTTERPIN		06
08	0503030012	HAIR PIN		02
09	0561015578	3/4 X 56 PCA VTR A750 COUPLING SHAFT		02
10	0571018252	REST BASE		02
11	0521012777	COUPLING SHAFT		02



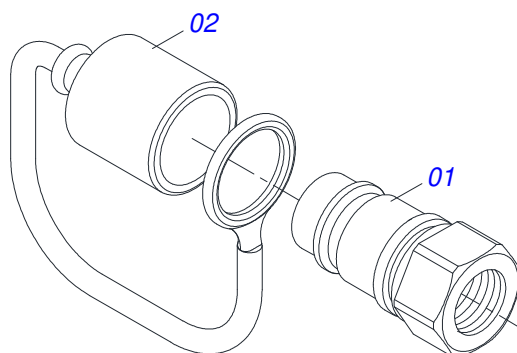
Item	Code	Description	See page	QT
01	0511043351	1.1/4" X 40" ROD	13	01
02	0521067233	DIFFERENTIAL RIGHT BEARING HANGER		01
03	0521067232	DIFFERENTIAL LEFT BEARING HANGER		01
04	0561013399	FRAME SUPPORT BEARING HANGER		02
05	0581015280	TOOL BOX SUPPORT		01
06	0591011706	TOOL BOX FIXING PLATE		01
07	0531060374	LOCK RIGHT FRAME		01
08	0531060375	LOCK LEFT FRAME		01
09	0561017654	M20 X 2.5 X 270 THREADED ROD ZN		08
10	0581013410	1.1/4" UNF X 155 BOLT		02
11	0521067468	MOBILE HOLDER COUPLING HUB		02
12	0581010243	WASHER HEX		02
13	0531016799	SLEEVE 34,93 X 16,50 X 20		02
14	0531017238	LOCK TRANSPORT		02
15	0501068994	0.3" X 3.1" LOCK PIN		02
16	0581010285	CONTROL LOCKING HOOK		01
17	0571018714	3/4"X3/4"UNF NIPPLE UNION (SEXT 7/8"X50)		04
18	0521050403	HOSE SET		01
18A	0501080384	TR-TM HOSE ASSY		04
19	0511032681	PIECES PACKED	14	01
20	0581012566	REAR BAR FIXATION BEARING HANGER		01
21	0521067229	BEARING HANGER LEFT		01
22	0521069404	LEFT BEARING HANGER		01
23	0521069403	RIGHT BEARING HANGER		01
24	0503034789	PRISONER		08
25	0531062376	ESCAPEMENT COMPLEMENT		01



Item	Code	Description	See page	QT
01	0501010087	1.1/4" NUT		04
02	0541015018	ROD 1.1/4 NC X 1000 PCA-T 1750		01



Item	Code	Description	See page	QT
01	0503011267	BOLT 5/8 UNC X 1.1/2 C S G.5 ZN		04
02	0503011730	M16 X 2 X 60 BOLT		04
03	0503012693	M16 X 2 X 75 BOLT		02
04	0501010098	3/4" UNC BOLT		02
05	0501010500	3/4"X3"BOLT		10
06	0503014006	3/4" X 2-1/2" BOLT		02
07	0503011857	3/4" X 10" BOLT		04
08	0503011322	M20 X 2,5 X 50 BOLT		04
09	0503013111	M20 X 2,5 X 65 BOLT		08
10	0501010322	FLAT WASHER		20
11	0503010027	5/8" SPRING WASHER		10
12	0503010023	3/4" SPRING WASHER		34
13	0503010060	1/2" NUT		02
14	0503010013	5/8" NUT		04
15	0503010014	3/4" NUT		18
16	0503015985	M20 X 2.5 ZN HEXAGONAL NUT		08
17	0503010044	1-1/4" SELF LOCKING NUT		02
18	0501053834	MALE QUICK COUPLER WITH CAP - 1/2 NPT	15	04
19	0503013527	CLAMP ZIPER		08
20	0503030012	HAIR PIN		04
21	0503010002	1800 GREASE FITTING		02
22	0503019335	METRIC NUT		08
23	0503010012	1" SPRING WASHER		08



Item	Code	Description	See page	QT
01	0503011627	MALE QUICK COUPLER AGR 1/2 NPT		01
02	0503011882	MALE QUICK COUPLER CAP		01



ANNOTATION

A series of horizontal lines for writing, spanning most of the page width.





MARCHESAN

Technical Publications | Elaboration and Revision

LORENA ROCHA ALVES

www.marchesan.com.br

