

OFFSET DISK HARROW

GASPCR EHD 10020 - HIDR. - EIXO 2.1/2" - SPECIAL - 14D

Code: 0501092947
Series: S-0518
Revision: 00
Date Revision: FEVEREIRO/2022

PARTS CATALOGUE



MARCHESAN



PRODUCTS

Code	Description
0102090358	GASPCR EHD 10020 14X36X12 DM HID ESPECIAL S-0518
0102090347	GASPCR EHD 10020 14X42X12 DM HID ESPECIAL S-0518

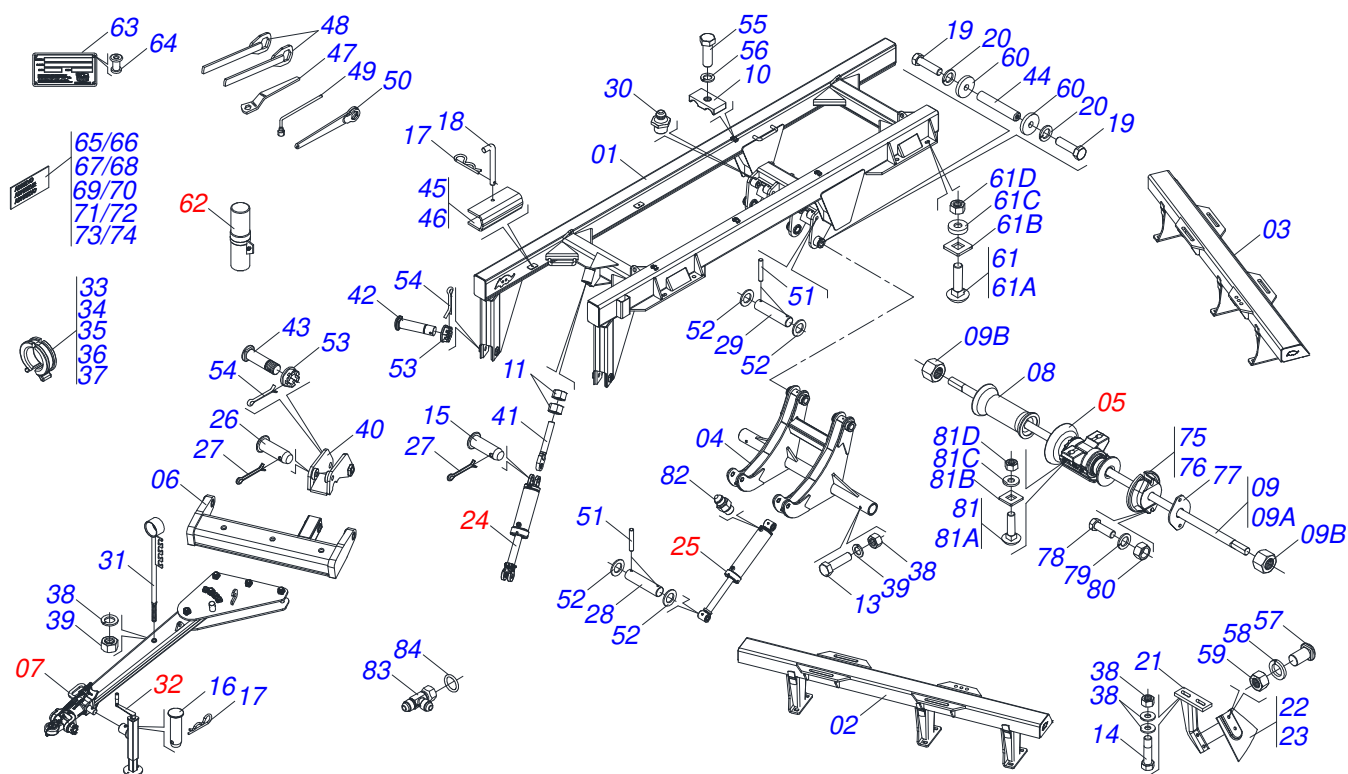
ATTENTION: IMPORTANT

Marchesan S.A. reserves the right to improve and/or modify the technical features of its products, without obligation to do the same with those products already sold and without prior knowledge of the dealer or the consumer. The photos are only illustrative.



INDEX

0909095695	ASSY FRAME - 14D	1
0511045200	ASSY TRACTION BAR WITH HITCH 3	2
0521049768	AGRICULTURAL BEARING	3
0511058419	HYDRAULIC CYLINDER 50,80 X 101,60 X 514 X 206	4
0521051832	HYDRAULIC CYLINDER 53,98 X 114,30 X 654 X 346	5
0511048088	DRAWBAR JACK	6
0521052190	MANUAL CANISTER ASSY	7



Item	Code	Description	See page	QT
01	0511067822	FRAME GASPCR-HD 9017/EHD 10020		01
02	0521062884	FRONT FRAME - 14D		01
03	0521062885	REAR FRAME - 14D		01
04	0521068368	CARRYING-WHEELS SUPPORT		01
05	0521049768	AGRICULTURAL BEARING	3	06
06	0511067827	1100 OFFSET BAR		01
07	0511045200	ASSY TRACTION BAR WITH HITCH 3	2	01
08	0502012414	SPACER		06
09	0521040419	AXLE WITH NUTS		02
09A	0571010567	2-1/2" X 3320 AXLE		01
09B	0502040064	2.1/2"SNC X 70 99 NUT		02
10	1902010477	UPPER CLAMP BODY		04
11	0501010333	1.3/4" NUT		02
12	0541010763	FLAT WASHER		48
13	0503011198	C3/4" X 6" SCREW		04
14	0501010500	3/4"X3"BOLT		24
15	0521012538	1.2" X 3.5" COUPLING SHAFT		01
16	0561014251	COUPLING SHAFT		01
17	0503030285	HAIR PIN		04
18	0541016844	FIXER LOCK		03
19	0503011250	1" X 2" BOLT		04
20	0503010012	1" SPRING WASHER		04
21	0511064771	FRONT SCRAPER SUPPORT		08
22	0521013678	FRONT CLEANER		06
23	0521013679	REAR CLEANER		06
24	0511058419	HYDRAULIC CYLINDER 50,80 X 101,60 X 514 X 206	4	01
25	0521051832	HYDRAULIC CYLINDER 53,98 X 114,30 X 654 X 346	5	02
26	0531019171	1.25" X 7" COUPLING SHAFT		01
27	0503010523	1/4" X 2" COTTERPIN		02
28	0531018101	1.2" X 6.3" PIVOT SHAFT		02
29	0531018105	1.2" X 11.8" PIVOT SHAFT		02



ASSY FRAME - 14D

0909095695

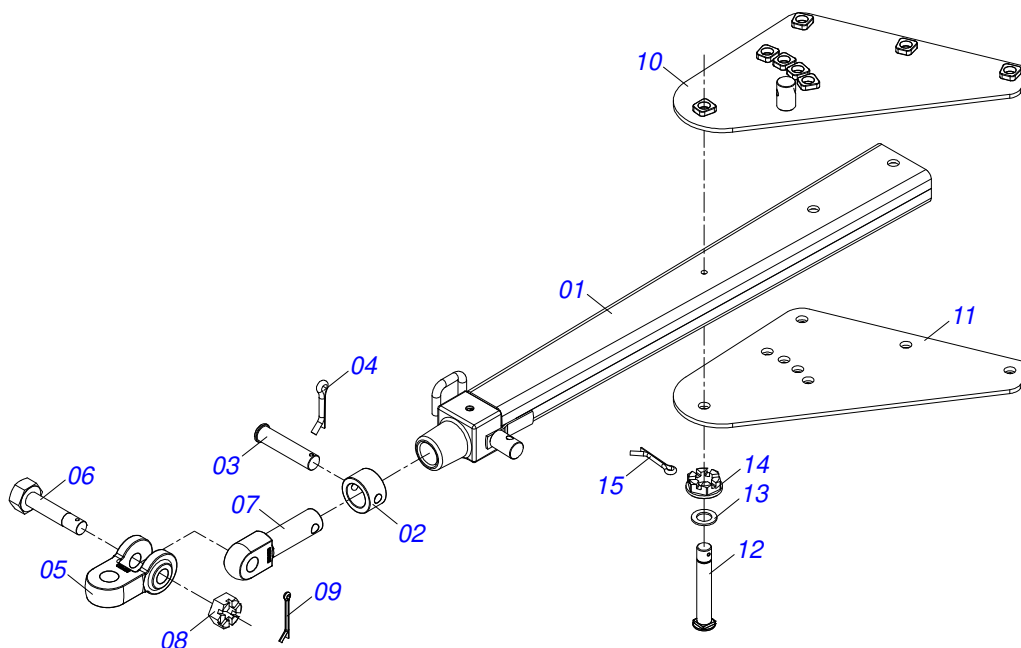
Item	Code	Description	See page	QT
30	0503010002	1800 GREASE FITTING		15
31	0521062849	HOSE HOLDER ASSY		01
32	0511048088	DRAWBAR JACK	6	01
33	0501047895	ROD STOP		09
34	0501047885	ROD STOP		03
35	0501047886	ROD STOP		03
36	0501047887	ROD STOP		03
37	0501047885	ROD STOP		06
38	0503010023	3/4" SPRING WASHER		02
39	0503010014	3/4" NUT		08
40	0511064656	DRAWBAR PIVOT		01
41	0511064433	REGULATOR SPINDLE 1-3/4		01
42	0541014119	37.5 X 195 COUPLING SHAFT		02
43	0521012053	1.5" X 8.6" AXLE		01
44	0531018062	COUPLING SHAFT		02
45	0561016693	TRANSPORT LOCK		02
46	0551010332	TRANSPORT LOCK		01
47	0501011432	1-1/2" AND 1-5/8 GANG BOLT WRENCH		01
48	0501061044	2-1/8" AND 2-1/2" CABLE FLAT WRENCH		02
49	0503016137	1-1/4" WRENCH CABLE CYLINDER		01
50	0521062858	1.1/4" WRENCH NUT		01
51	0503011877	0.3" X 2.4" SPRING PIN		08
52	0501017779	32 X 60 X 4.75 FLAT WASHER		04
53	0501011301	1.1/2 UNC 6FPP 2.5/16 NUT		03
54	0503010010	1/4" X 2.1/2" COTTERPIN		03
55	0503011135	BOLT		04
56	0503010180	7/16" SPRING WASHER		04
57	0503012195	5/8" NUT		24
58	0503010027	5/8" SPRING WASHER		32
59	0503010013	5/8" NUT		32
60	0521011565	FLAT WASHER		04
61	0521040349	1-1/4" X 5.3/4" BOLT		08
61A	0501010954	1-1/4" X 5-3/4" BOLT		01
61B	0571010449	LOCK BOLT		01
61C	0571010448	SLEEVE 32,50 X 75 X 16		01
61D	0501010087	1.1/4" NUT		02
62	0521052190	MANUAL CANISTER ASSY	7	01
63	0503034003	SERIAL NUMBER TAG 61 X 118		01
64	0503010001	3.2 X 5.5 RIVET		04
65	0503031428	READ MANUAL DECAL		01
66	0503031738	ADHESIVE LABEL		03
67	0503033038	DANGER SIGN		01
68	0503031827	LUBRICATE AND RETIGHTEN DAILY DECAL		01
69	0503034078	LIFTING POINTS DECAL		04
70	0503034499	HOSE IDENTIFICATION DECAL		01
71	0503031087	ADHESIVE LABEL		01
72	0503031739	ADHESIVE LABEL		01
73	0503034977	ADHESIVE LABEL		01
74	0503033428	ADHESIVE LABEL		01
75	0502012938	INTERNAL AXLE LOCK		02
76	0502012939	EXTERNAL SHAFT LOCK		02
77	0541010368	NUT LOCK		04
78	0503010232	5/8" X 1.3/4" BOLT		08
79	0503010027	5/8" SPRING WASHER		08
80	0503010013	5/8" NUT		08
81	0501041301	1-1/4" X 5-3/4" ASSY BOLT		12
81A	0501010954	1-1/4" X 5-3/4" BOLT		01
81B	0501010953	1-1/4" SQUARE WASHER		01
81C	0531010713	FLAT WASHER		01



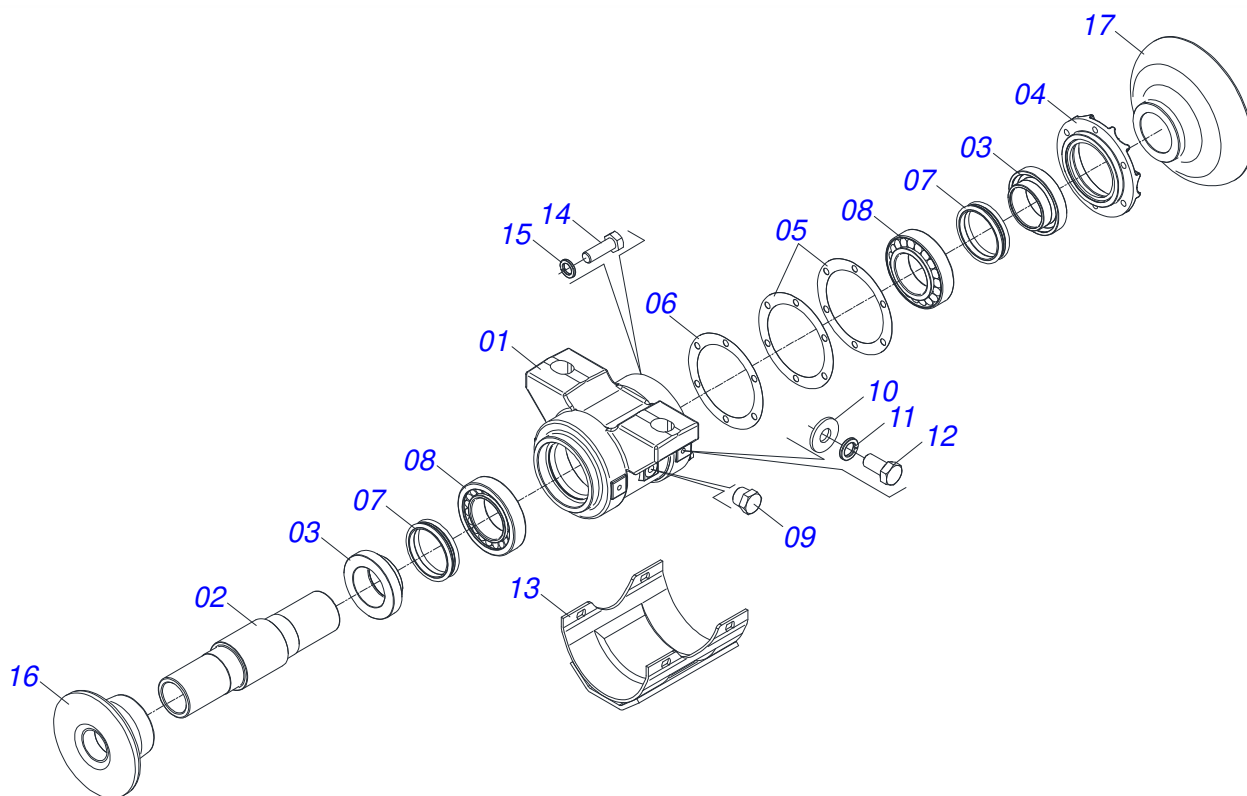
ASSY FRAME - 14D

0909095695

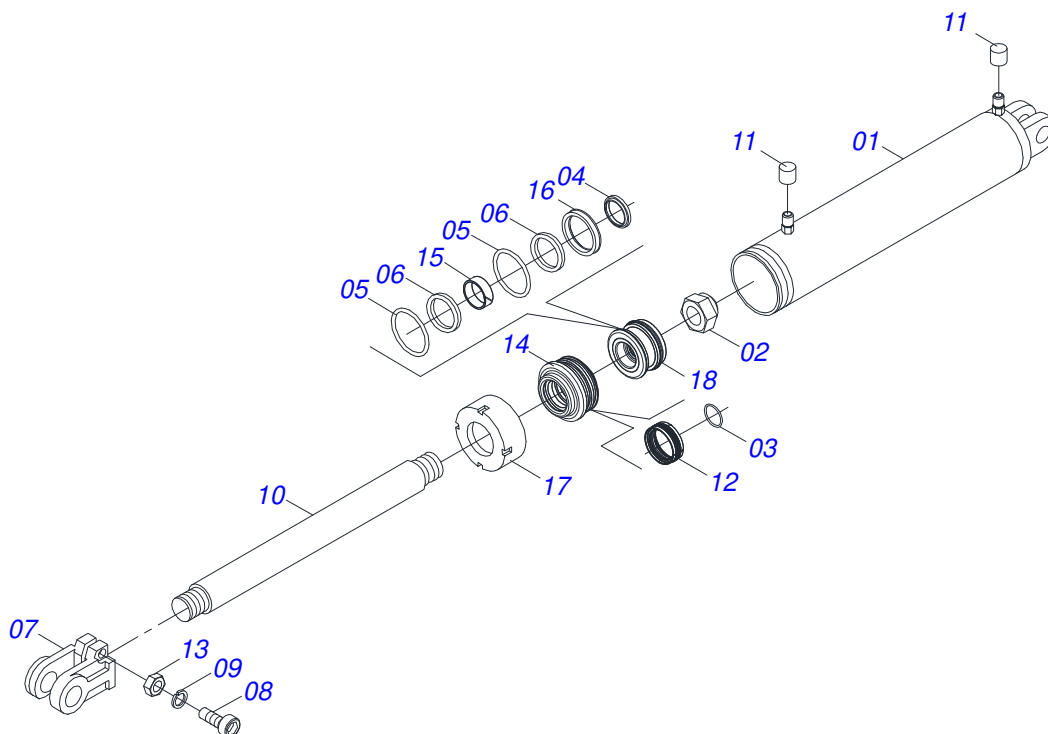
Item	Code	Description	See page	QT
81D	0501010087	1.1/4" NUT		02
82	0501010617	3/4" NIPPLE		04
83	0503011968	3/4" 8R6X-S T ADAPTER WITH SWIVEL NUT		04
84	0503010190	2-114 N 3006-9B O'RING		06



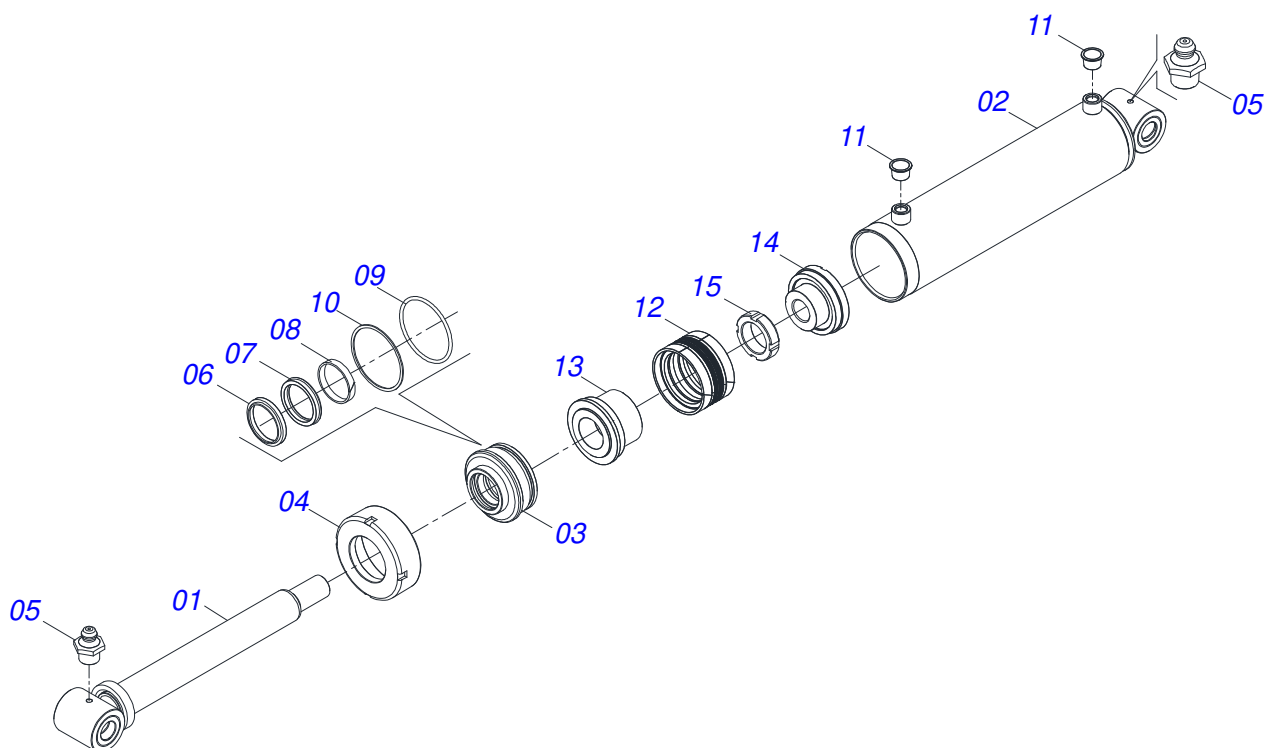
Item	Code	Description	See page	QT
01	0511064669	DRAWBAR ASSY		01
02	0502040263	ANEL TRAVA ENGATE		01
03	0561017306	COUPLING SHAFT		01
04	0503010523	1/4" X 2" COTTERPIN		01
05	0502040293	YH-90 CLEVIS		01
06	0511067199	2" BOLT		01
07	0502040264	DRAWBOLT		01
08	0502040558	2" CASTLE NUT		01
09	0503010074	3/8 X 0,15" COTTERPIN		01
10	0511067825	UPPER PLATE		01
11	0511067826	LOWER PLATE		01
12	0521011880	37,5 X 242 COUPLING SHAFT		05
13	0501012916	FLAT WASHER 38,50 X 66 X 4,75 ZN		05
14	0501011301	1.1/2 UNC 6FPP 2.5/16 NUT		05
15	0503010010	1/4" X 2.1/2" COTTERPIN		05



Item	Code	Description	See page	QT
01	0502012415	HOUSING BEARING		01
02	0502012226	425 BEARING AXLE		01
03	0502040119	SEAL RETAINER		02
04	0502010644	HOUSING CAP DM		01
05	0503030537	8.3" X 6.3" X 0.01" JOINT		02
06	0503030687	8.3" X 6.3" X 0.004" JOINT		01
07	0503030029	SEAL # LP JB-259		02
08	0503013243	32218 ROLLER BEARING		02
09	0503010856	OIL PLUG		02
10	0511017302	FLAT WASHER		04
11	0503010019	1/2" SPRING WASHER		04
12	0503010834	1/2 X 1 BOLT		04
13	0521062889	PROTECTION CAP		01
14	0503010920	1/2" X 1.1/2" BOLT		06
15	0503011440	SPRING WASHER		06
16	0502012846	BEARING INNER FLANGE		01
17	0502012937	OUTER FLANGE		01
18	3402301247	MINERAL OIL GREASE		01

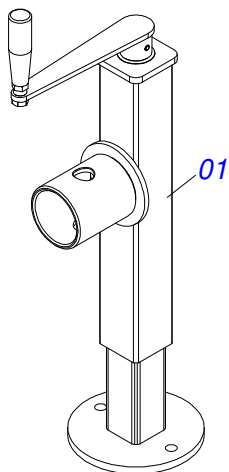


Item	Code	Description	See page	QT
01	0511061336	101,6 X 398 CYLINDER CASE		01
02	0503010817	1.1/4" SELF LOCKING NUT		01
03	0503010345	2-218 N 3006-9B O'RING		01
04	0503015636	SCRAPER SEAL		01
05	0503010338	2-342 N 3006-9B O'RING		02
06	0503011061	8-342 BACK-UP RING		02
07	0502040747	32.54 CLEVIS CLAMP		01
08	0503011094	3/8" X 2" BOLT		01
09	0503011443	3/8" SPRING WASHER		01
10	0521010422	HYDRAULIC CYLINDER TURNBUCKLE		01
11	0503030384	CON PLUG N-001		02
12	0503015633	SELEMASTER SEALING		01
13	0503010026	3/8" NUT		01
14	0581010678	50,80 X 101 RING SUPPORT		01
15	0503018025	RING GUIDE		01
16	0503018026	1870-2000-375 B GASKET		01
17	0502012822	101.60 END CAP		01
18	0502012842	50,80 X 101,60 PISTON		01
19	0511032511R	HYDRAULIC CYLINDER REPAIR KIT		01

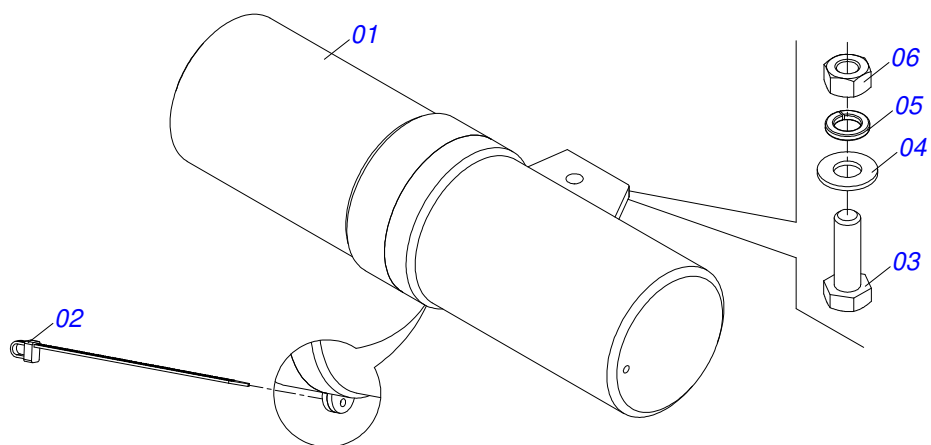


Item	Code	Description	See page	QT
01	0521061684	56,98 X 590,50 TURNBUCKLE		01
02	0521061685	114,30 X 500 CYLINDER CASE		01
03	0502012644	RING SUPPORT		01
04	0502011222	0.56" END CAP		01
05	0503010002	1800 GREASE FITTING		02
06	0503015715	SCRAPER SEALING		01
07	0503015642	U-CUP SEALING		01
08	0503015641	WEAR RING		00
09	0503011892	O' RING, 2-346 N 3006-9B		01
10	0503011893	BACK-UP RING, 8-346		01
11	0503030384	CON PLUG N-001		02
12	0503015640	SEALING SELEMASTER		01
13	0561016578	PISTON BODY		01
14	0581015283	BODY		01
15	0503819100	SCREW		01
16	0501038027	HYDRÁULIC CYLINDER REPAIR KIT		01

DRAWBAR JACK



Item	Code	Description	See page	QT
01	0503062227	DRAWBAR JACK		01



Item	Code	Description	See page	QT
01	0503060100	OPERATOR'S MANUAL STORAGE TUBE		01
02	0503010267	NYLON CLAMP		01
03	0503010363	5/16" X 1" BOLT		01
04	0501010694	8.5 X 18 X 1.5 FLAT WASHER		01
05	0503010179	5/16" ZN SPRING WASHER		01
06	0503010337	5/16" NUT		01



ANNOTATION

Lined area for writing annotations, consisting of multiple horizontal lines.





MARCHESAN

Technical Publications | Elaboration and Revision

LORENA ROCHA ALVES

www.marchesan.com.br

