

OFFSET DISK HARROW

GAICR 300 - 16D - AXLE 2.1/8

Code: 0501092940
Series: S-0504
Revision: 00
Date Revision: MARÇO/2021

PARTS CATALOGUE



MARCHESAN



PRODUCTS

Code	Description
0102460119	GAICR 300 16X30X7,50 2.1/8DMRD S504

ATTENTION: IMPORTANT

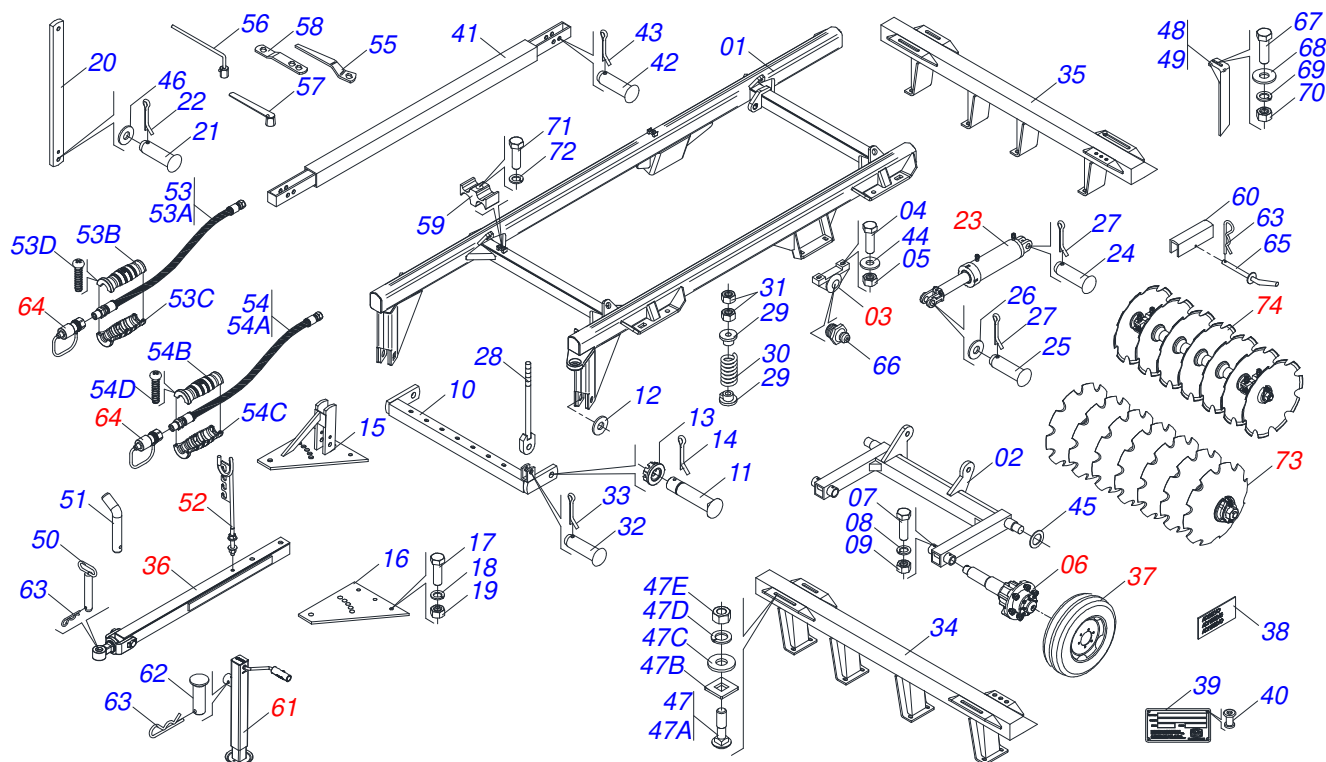
Marchesan S.A. reserves the right to improve and / or modify the technical features of its products, without obligation to do the same with those products already sold and without prior knowledge of the dealer or the consumer.



INDEX

0909095676	ASSY FRAME	1
0501110856	ARTICULACION BEARING	2
0501054931	STUB SHAFT & HUB	3
0511059180	HYDRAULIC CYLINDER	4
0521048502	ASSY TRACTION BAR	5
0503060091	L29.5"X0.63"-10L WHEEL AND	6
0501040257	3/4 X 1200 HOSE HOLDER A	7
0503062157	HEADER JACK	8
0501053834	MALE QUICK COUPLER WITH CAP - 1/2 NPT	9
0909095677	FRONT GANG DISC - 16D	10
0909095678	REAR GANG DISC - 16D	11

ASSY FRAME



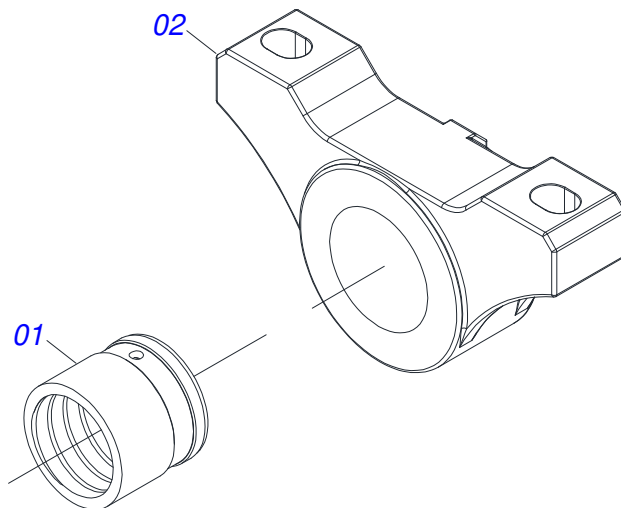
Item	Code	Description	See page	QT
01	0501065574	FRAME		01
02	0511065084	CARRYING-WHEELS SUPPORT		01
03	0501110856	ARTICULACION BEARING	2	02
04	0503810797	BOLT		04
05	0503810014	3/4" NUT		08
06	0501054931	STUB SHAFT & HUB	3	04
07	0503810547	BOLT		04
08	0503011440	SPRING WASHER		04
09	0503810060	NUT 1/2 NC S SA		04
10	0501066262	OFFSET BAR		01
11	0521817538	COUPLING SHAFT		02
12	0511819880	FLAT WASHER		02
13	0501811301	CASTLE NUT		02
14	0503010010	1/4" X 2.1/2" COTTERPIN		02
15	0501066235	UPPER PLATE WITH SUPPORT		01
16	0511013000	UPPER /LOWER PLATE		01
17	0501810334	SCREW 1 UNC X 7 C S G.5		05
18	0503011438	SPRING WASHER		05
19	0501810059	1" NUT		05
20	0511012972	TSTABILIZER BAR TOWER		01
21	0521810576	COUPLING SHAFT		01
22	0503010571	1/4" X 1.1/2 COTTERPIN		01
23	0511059180	HYDRAULIC CYLINDER	4	01
24	0521012538	1.2" X 3.5" COUPLING SHAFT		01
25	0511010174	1.2" X 5.9" COUPLING SHAFT		01
26	0501817779	FLAT WASHER		01
27	0503010523	1/4" X 2" COTTERPIN		02
28	0501064698	SPRING ROD		01
29	0502020392	SPRING SUPPORT		02
30	0503030441	12.7" X 5.7" X 0.5"SPRING		01
31	0501810059	1" NUT		02



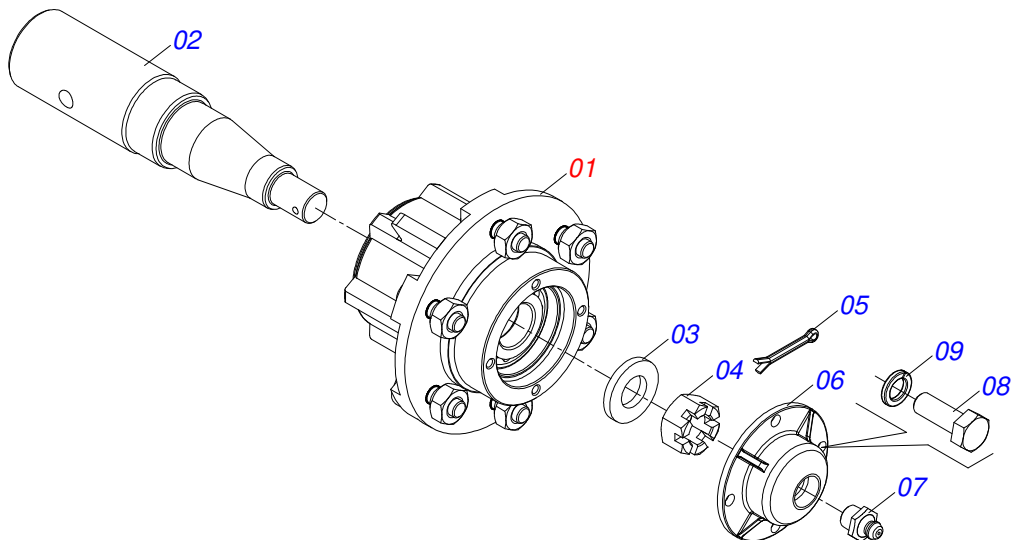
ASSY FRAME

0909095676

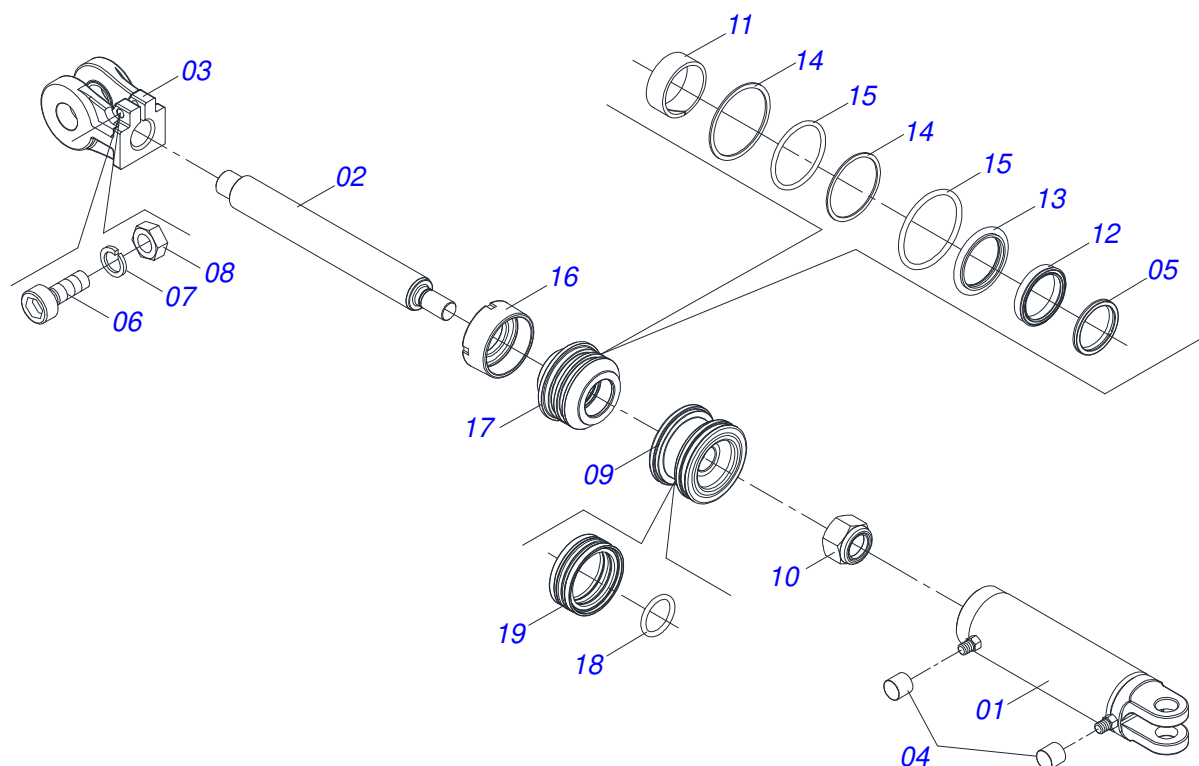
Item	Code	Description	See page	QT
32	0521810592	COUPLING SHAFT		01
33	0503010571	1/4" X 1.1/2 COTTERPIN		01
34	0511064956	FRONT FRAME		01
35	0511064957	REAR FRAME		01
36	0521048502	ASSY TRACTION BAR	5	01
37	0503060091	L29.5"X0.63"-10L WHEEL AND	6	04
38	0503060824	ASSY STICKER		01
39	0503034003	SERIAL NUMBER TAG 61 X 118		01
40	0503010001	3.2 X 5.5 RIVET		04
41	0511066932	CSTABILIZER BARCOTTERPIN		01
42	0521810575	COUPLING SHAFT		02
43	0503010571	1/4" X 1.1/2 COTTERPIN		02
44	0501810322	FLAT WASHER		04
45	0501817579	FLAT WASHER 63,50X102X4,75		02
46	0501011445	FLAT WASHER		02
47	0501040877	C1" X 3-1/4" ASSY BOLT		08
47A	0501010171	BOLT 1 UNC X 3.1/2 C S G.5		01
47B	0502012861	1" SQUARE WASHER		01
47C	0501010065	1" SPRING WASHER		01
47D	0503010012	1" SPRING WASHER		01
47E	0501010059	1.5/8 NUT		01
48	0501064168	REAR SCRAPER		04
49	0501064167	REAR SCRAPER		04
50	0501069080	COUPLING SHAFT		01
51	0521010453	AXI SHAFT		01
52	0501040257	3/4 X 1200 HOSE HOLDER A	7	01
53	0521055893	3/8 X 5850 TR-TM HOSE BLACK / BLUE		01
54	0521056233	3/8 X 6000 TR-TM HOSE BLACK / RED		01
55	0501011431	1-3/4" GANG BOLT WRENCH		02
56	0503016140	3/4" WRENCH CABLE CYLINDRICAL		01
57	0501061617	1" GANG BOLT WRENCH		01
58	0511018451	5/8" X 3/4" X 1" UNIVERSAL		01
59	0502012702	BODY SUPPORT CLAMP		02
60	0511010839	TRANSPORT LOCK 7.9" X 2.1" X 0.4"		01
61	0503062157	HEADER JACK	8	01
62	0521010549	COUPLING SHAFT		01
63	0503030168	HAIR PIN		02
64	0501053834	MALE QUICK COUPLER WITH CAP - 1/2 NPT	9	02
65	0501068994	0.3" X 3.1"LOCK PIN		01
66	0503010002	1800 GREASE FITTING		02
67	0503011082	C1/2" X 1.3/4" SCREW		16
68	0511017302	FLAT WASHER		16
69	0503010019	1/2" SPRING WASHER		16
70	0503010060	1/2" NUT		16
71	0503012555	SCREW 7/16 UNC X 2 CS RT G.7 ZN		02
72	0503010180	7/16" SPRING WASHER		02
73	0909095677	FRONT GANG DISC - 16D	10	01
74	0909095678	REAR GANG DISC - 16D	11	01



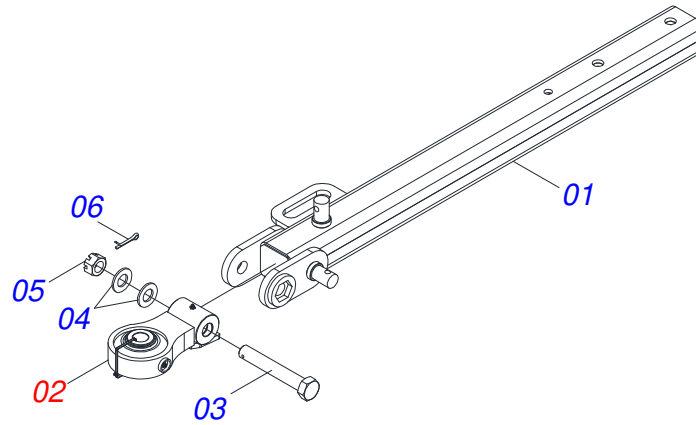
Item	Code	Description	See page	QT
001	0581012980	SLEEVE		01
002	0502010006	ARTICULACION BEARING		01



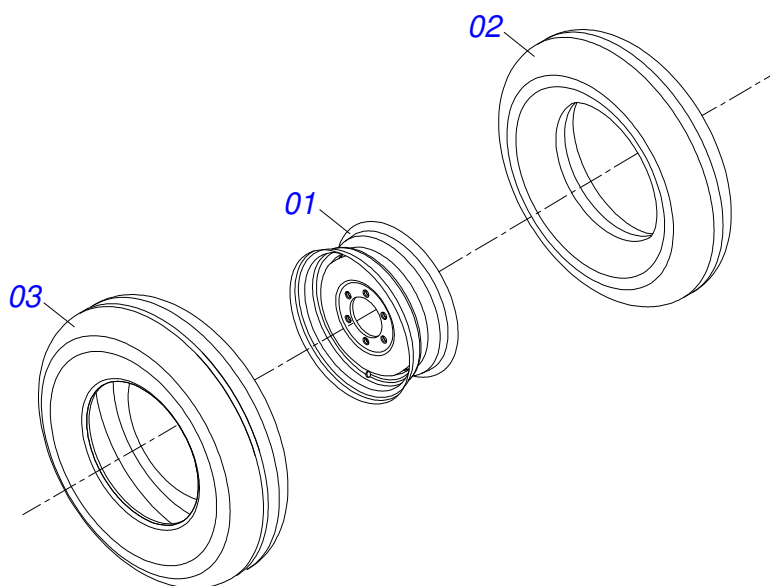
Item	Code	Description	See page	QT
01	0501051142	CARRYING WHEEL HUB		01
02	0541010739	2.5" X 12.2" AXLE		01
03	0501016545	FLAT WASHER		01
04	0503030009	1" CASTLE NUT		01
05	0503010018	5/32 X 1-1/2 COTTERPIN		01
06	0502020591	PROTECCION COVER		01
07	0503010002	1800 GREASE FITTING		01
08	0503010358	5/16" X 5/8" BOLT		04
09	0503011444	SPRING WASHER		04



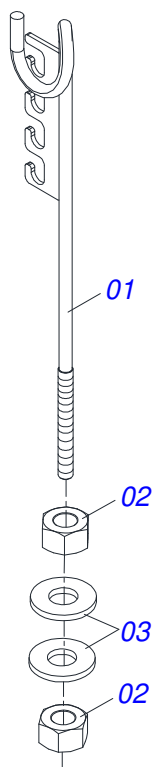
Item	Code	Description	See page	QT
001	0511070658	CYLINDER CASE		01
002	0571019958	HYDRAULIC CYLINDER TURNBUCKLE		01
003	0502040747	32.54 CLEVIS CLAMP		01
004	0503030385	CYLINDER PLUG N-002		02
005	0503010039	D-2000 SCRAPER RING		01
006	0503011094	3/8" X 2" BOLT		01
007	0503011443	3/8" SPRING WASHER		01
008	0503010026	3/8" NUT		01
009	0502012820	50.80 X 101.60 PISTON		01
010	0503010817	1.1/4" SELF LOCKING NUT		01
011	0503018025	RING GUIDE		01
012	0503018026	1870-2000-375 B GASKET		01
013	0503018024	RING BS		01
014	0503010338	2-342 N 3006-9B O'RING		02
015	0503011061	8-342 BACK-UP RING		02
016	0502012822	101.60 END CAP		01
017	0502012821	50.80 X 101.60 RING SUPPORT		01
018	0503018029	2-217 O'RING		01
019	0503015633	SELEMASTER SEALING		01



Item	Code	Description	See page	QT
01	0521069165	DRAWBAR ASSY		01
02	0521057520	HITCH ASSY		01
03	0581015973	1.1/4 UNC X 8 C S G5 SCREW		01
04	0501017779	32 X 60 X 4.75 FLAT WASHER		02
05	0503013026	1.1/4" CASTLE NUT		01
06	0503010010	1/4" X 2.1/2" COTTERPIN		01

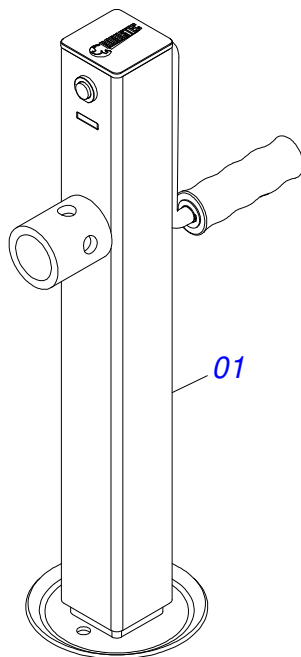


Item	Code	Description	See page	QT
01	0503010893	WHEEL		01
02	0503010033	7.50 X 16 INNER TIRE		01
03	0503010120	CANVAS TIRE		01

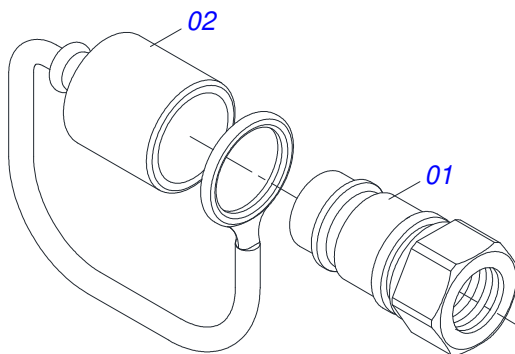


Item	Code	Description	See page	QT
01	0511067334	HOSE SOPPORT ASSY		01
02	0503010014	3/4" NUT		02
03	0501010322	FLAT WASHER		02

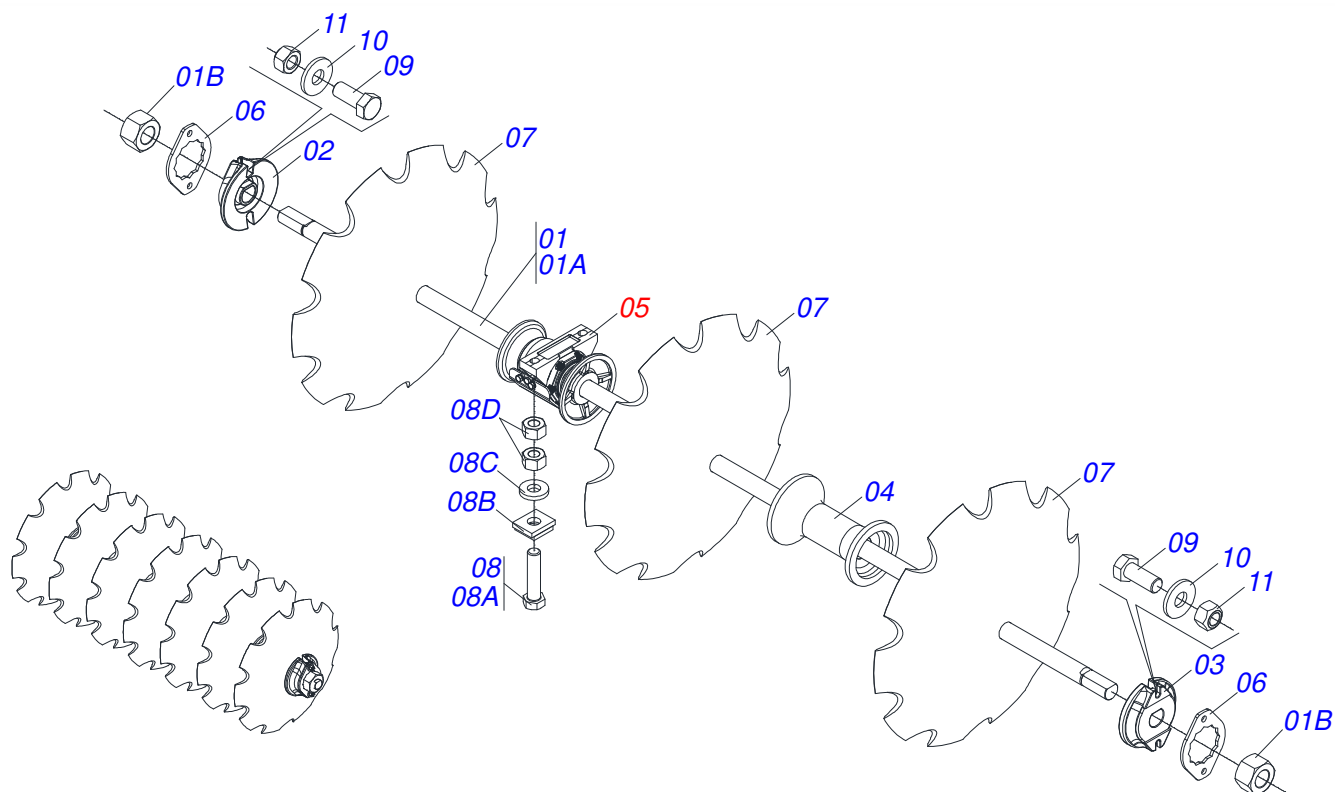
HEADER JACK



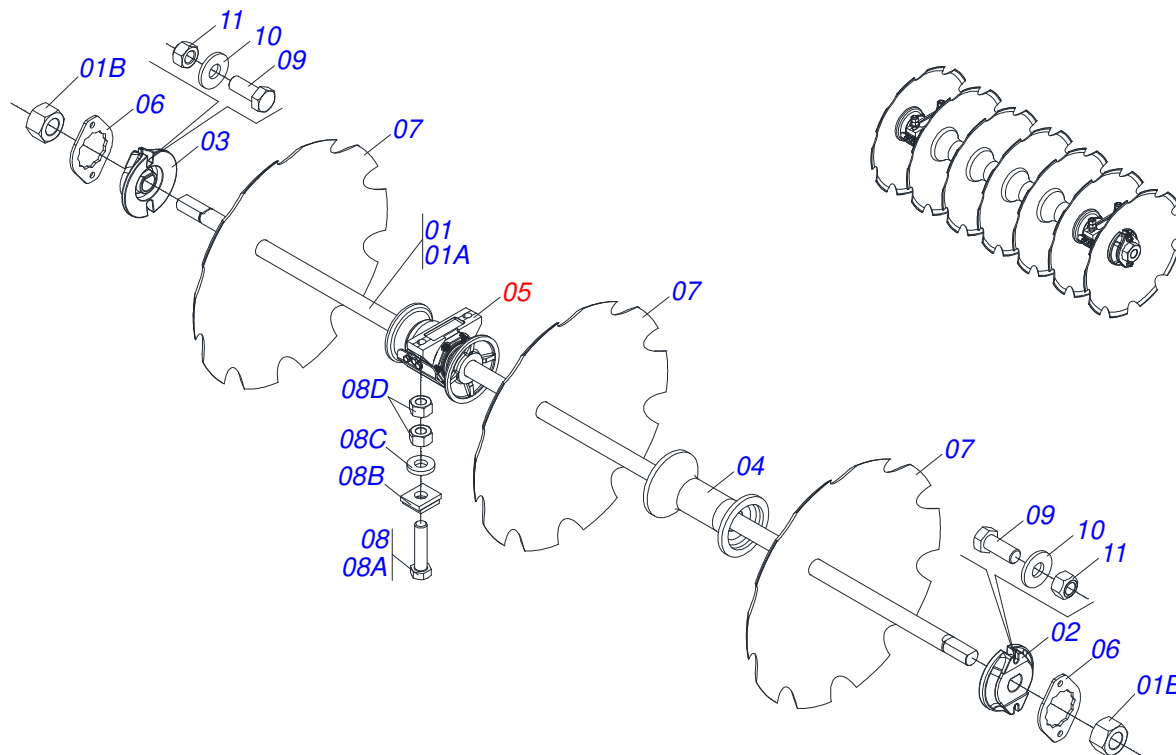
Item	Code	Description	See page	QT
01	0503062157	HEADER JACK	8	01



Item	Code	Description	See page	QT
01	0503011627	MALE QUICK COUPLER AGR 1/2 NPT		01
02	0503011882	MALE QUICK COUPLER CAP		01



Item	Code	Description	See page	QT
01	0501059883	2.1/8 X 2320 AXIS WITH NUTS		01
01A	0561016052	2.1/8 X 2320 AXLE		01
01B	0502040063	2.1/8" X 54 99 NUT		02
02	0502012221	1-1/2" INNER AXLE WASHER		01
03	0502012222	1-3/4" EXTERNAL AXLE WASHER		01
04	0502012193	292 X 1.3/4" SPACER		05
05	0511047876	292 X 2.1/8" OIL BATH BEARING		02
06	0541010368	NUT LOCK		02
07	0602040001	30" X 0.3" NOTCHED DISC BLADE		08
08	0511046308	7/8" NC X 4.1/2" BOLT ASSY		04
08A	0503012460	7/8" X 4-1/2" BOLT		04
08B	0521066938	BEARING SUPPORT		04
08C	0561013107	FLAT WASHER		04
08D	0503010417	7/8" NUT		08
09	0503010232	5/8" X 1.3/4" BOLT		02
10	0501012140	FLAT WASHER		02
11	0503012412	5/8 UNC SELF LOCKING NUT		02



Item	Code	Description	See page	QT
01	0501059883	2.1/8 X 2320 AXIS WITH NUTS		01
01A	0561016052	2.1/8 X 2320 AXLE		01
01B	0502040063	2.1/8" X 54 99 NUT		02
02	0502012221	1-1/2" INNER AXLE WASHER		01
03	0502012222	1-3/4" EXTERNAL AXLE WASHER		01
04	0502012193	292 X 1.3/4" SPACER		05
05	0511047876	292 X 2.1/8" OIL BATH BEARING		02
06	0541010368	NUT LOCK		02
07	0602040001	30" X 0.3" NOTCHED DISC BLADE		08
08	0511046308	7/8" NC X 4.1/2" BOLT ASSY		04
08A	0503012460	7/8" X 4-1/2" BOLT		04
08B	0521066938	BEARING SUPPORT		04
08C	0561013107	FLAT WASHER		04
08D	0503010417	7/8" NUT		08
09	0503010232	5/8" X 1.3/4" BOLT		02
10	0501012140	FLAT WASHER		02
11	0503012412	5/8 UNC SELF LOCKING NUT		02



MARCHESAN

Technical Publications | Elaboration and Revision

LORENA ROCHA ALVES

www.marchesan.com.br

