

**HINGE TYPE OFFSET DISK HARROW**

**GN 52D - PA - 4 AXLE - 1.1/4**

**Code:** 0501092910  
**Series:** S-0590  
**Revision:** 00  
**Date Revision:** FEVEREIRO/2021

# PARTS CATALOGUE



**MARCHESAN**



# PRODUCTS

Code	Description
0102110566	GN 52 X 22 X 4,50 DM DR PA 4 EIX 1.1/4 S-0590
0102110199	GN 52 X 22 X 4,50 DM PA 4 EIX 1.1/4

## ATTENTION: IMPORTANT

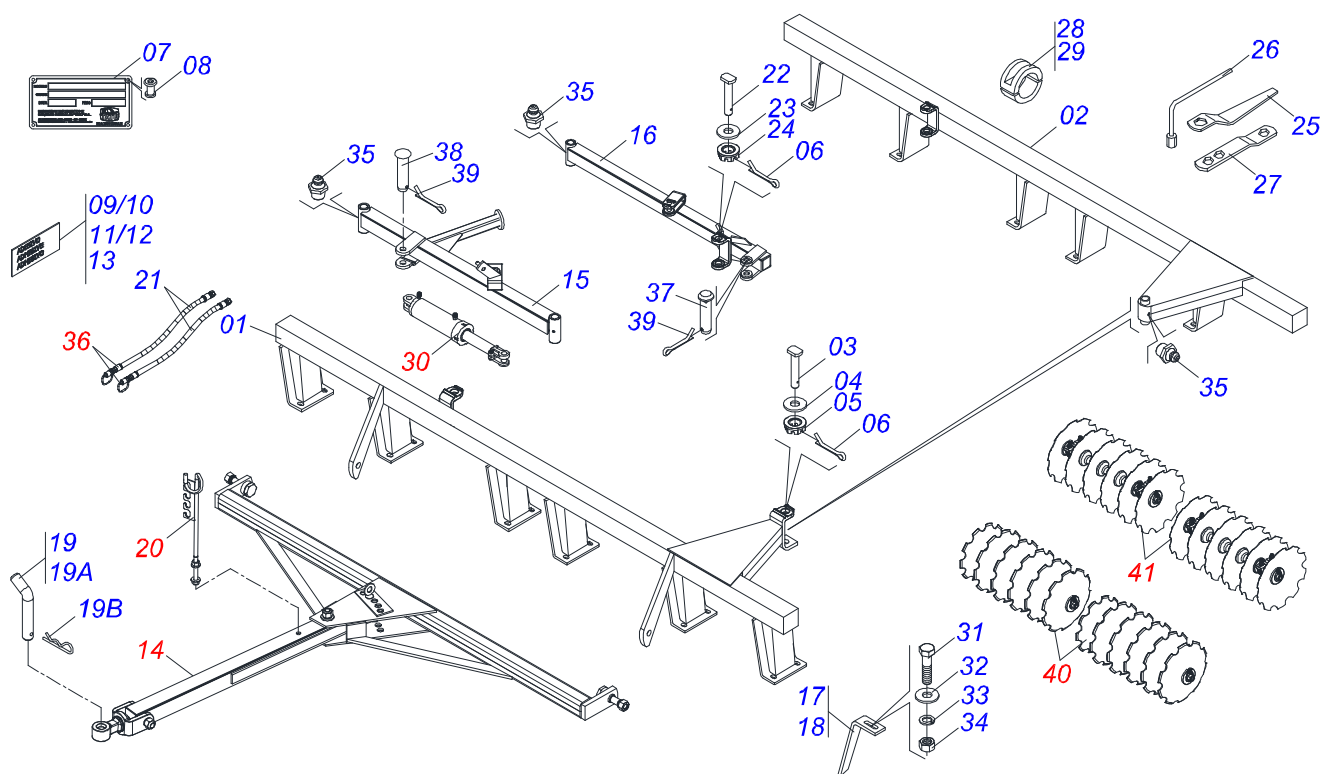
Marchesan S.A. reserves the right to improve and/or modify the technical features of its products, without obligation to do the same with those products already sold and without prior knowledge of the dealer or the consumer. The photos are only illustrative.



# INDEX

0909095600	ASSY FRAME	.....	1
0501043082	DRAWBAR ASSY	.....	2
0501040257	3/4 X 1200 HOSE HOLDER A	.....	3
0511058459	HYDRAULIC CYLINDER	.....	4
0501053834	MALE QUICK COUPLER	.....	5
0909095601	FRONT GANG DISC 52D	.....	6
0909095602	REAR GANG DISC 52D	.....	7
0501046922	AGRICULTURAL BEARING DM OL 192.5 X 1.1/4 IMPLEMENT	.....	8

ASSY FRAME



Item	Code	Description	See page	QT
01	0511068840	FRONT FRAME 52		01
02	0511068841	RIGHT REAR FRAME 52		01
03	0531019497	1.5" X 9.2" ARTICULATED AXIS		03
04	0531019540	FLAT WASHER		03
05	0501011301	1.1/2 UNC 6FPP 2.5/16 NUT		03
06	0503010010	1/4" X 2.1/2" COTTERPIN		03
07	0503034003	SERIAL NUMBER TAG 61 X 118		01
08	0503010001	3.2 X 5.5 RIVET		04
09	0503034021	LABEL ADHESIVE GN		01
10	0503035341	ADHESIVE LABEL		01
11	0503031428	READ MANUAL DECAL		01
12	0503031087	ADHESIVE LABEL		01
13	0503031827	LUBRICATE AND RETIGHTEN DAILY DECAL		01
14	0501043082	DRAWBAR ASSY	2	01
15	0501064461	FRONT STAB BAR		01
16	0501064462	63" REAR STABILIZER BAR		01
17	0501063963	FRONT SCRAPER		19
18	0501063962	REAR SCRAPER		19
19	0501040343	DRAWBOLT ASSY		01
19A	0521010453	AXI SHAFT		01
19B	0503031035	HAIR PIN		01
20	0501040257	3/4 X 1200 HOSE HOLDER A	3	01
21	0501051049	HOSE KIT		01
22	0531019497	1.5" X 9.2" ARTICULATED AXIS		01
23	0531019540	FLAT WASHER		01
24	0501011301	1.1/2 UNC 6FPP 2.5/16 NUT		01
25	0501010198	1-1/4" CABLE FLAT WRENCH		01
26	0501068273	5/8" WRENCH		02
27	0511018451	5/8" X 3/4" X 1" UNIVERSAL		01
28	0501047895	ROD STOP		06
29	0501047885	ROD STOP		01

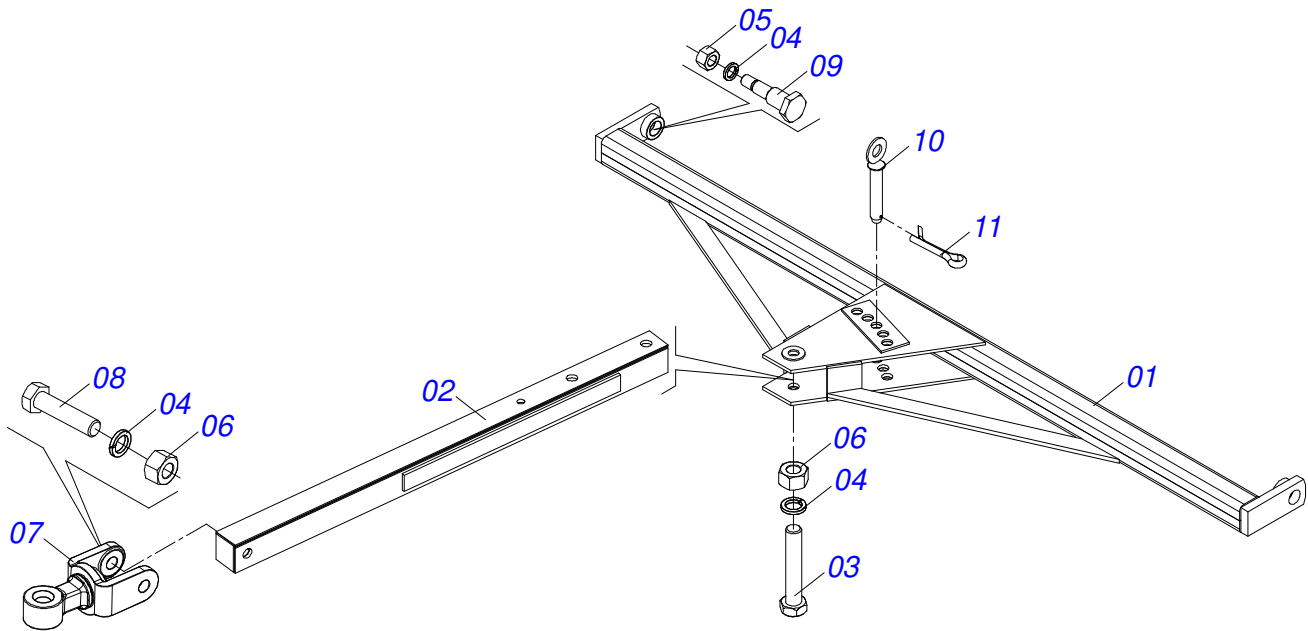


ASSY FRAME

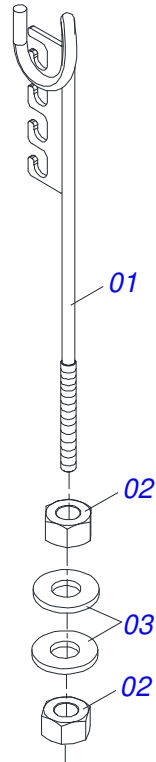
0909095600

Item	Code	Description	See page	QT
30	0511058459	HYDRAULIC CYLINDER	4	01
31	0503011082	C1/2" X 1.3/4" SCREW		76
32	0511017302	FLAT WASHER		76
33	0503010019	1/2" SPRING WASHER		76
34	0503010060	1/2" NUT		76
35	0503010002	1800 GREASE FITTING		04
36	0501053834	MALE QUICK COUPLER	5	02
37	0521013077	1.2" X 5.7" PIVOT SHAFT		01
38	0521010544	1.2" X 4.9" COUPLING SHAFT		01
39	0503010010	1/4" X 2.1/2" COTTERPIN		01
40	0909095601	FRONT GANG DISC 52D	6	01
41	0909095602	REAR GANG DISC 52D	7	01

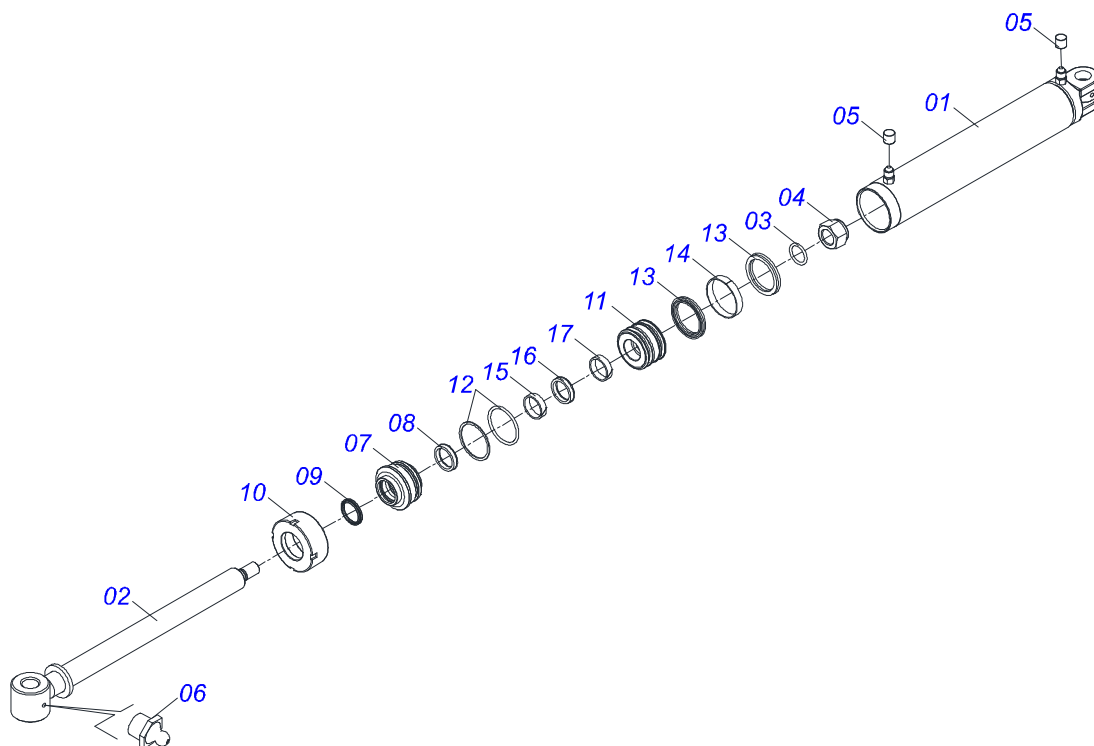
DRAWBAR ASSY



Item	Code	Description	See page	QT
01	0501064920	89.4" OFFSET BAR		01
02	0501060188	DRAWBAR ASSY		01
03	0501010191	1" X 6" BOLT		01
04	0503010012	1" SPRING WASHER		04
05	0503010340	1" NUT		02
06	0501010059	1.5/8 NUT		02
07	0521061775	TRACTOR HITCH		01
08	0501010060	1" X 6-1/2" BOLT		01
09	0501018191	BARRANG BOLT		02
10	0501068993	0.9" X 5.5" COUPLING SHAFT		01
11	0503010523	1/4" X 2" COTTERPIN		01

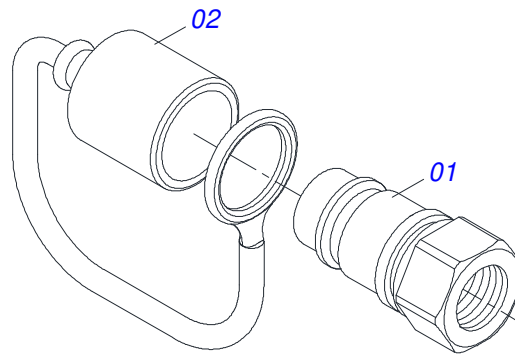


Item	Code	Description	See page	QT
01	0511067334	HOSE SOPPORT ASSY		01
02	0503010014	3/4" NUT		02
03	0501010322	FLAT WASHER		02

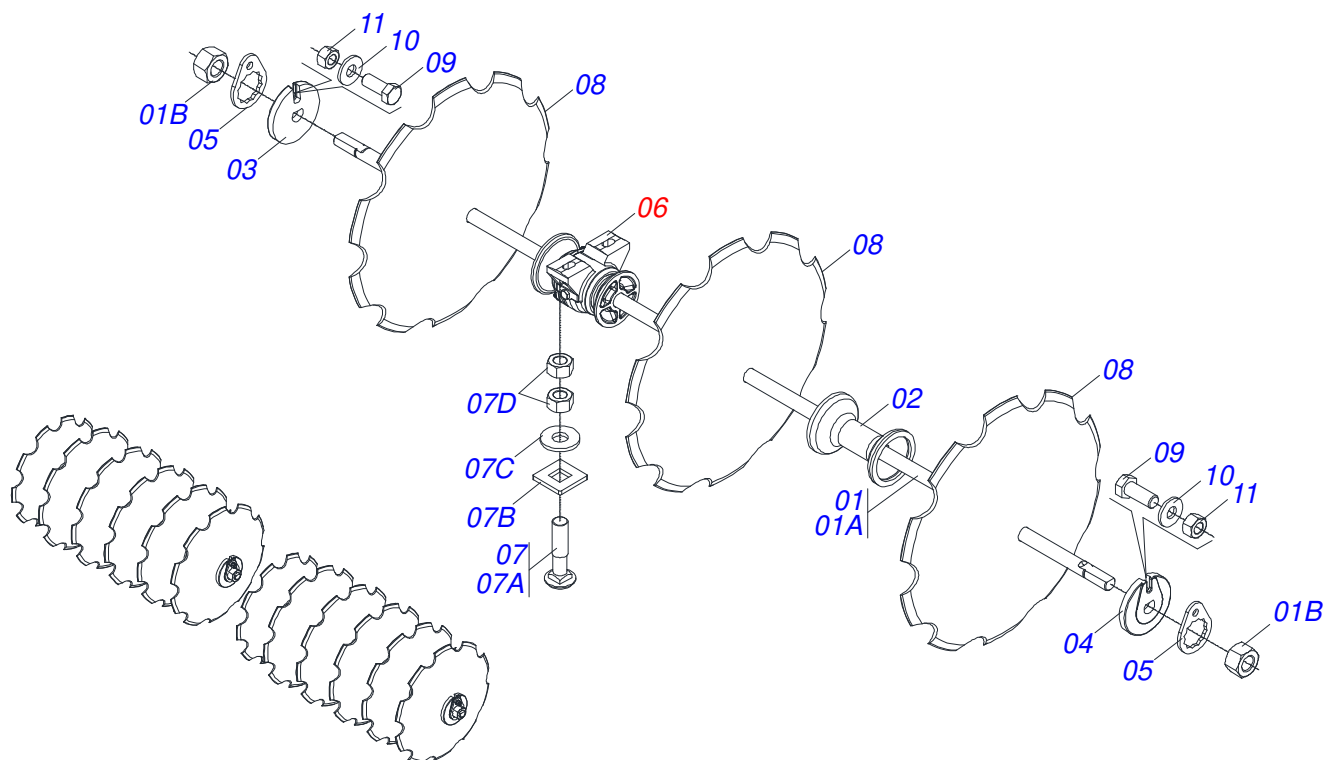


Item	Code	Description	See page	QT
01	0521061064	85,72 X 510 CYLINDER CASE		01
02	0521067533	50,80 X 697 EXTENSOR		01
03	0503010042	2-214 N 3006-9B O'RING		01
04	0503010063	1" SELF-ALIGNING NUT		01
05	0503030385	CYLINDER PLUG N-002		02
06	0503010002	1800 GREASE FITTING		02
07	0571019710	1.7" X 3.4" PISTON		01
08	0503017935	RING		01
09	0503018144	RING		01
10	0581013227	85,72 MOVEEL COVER		01
11	0581013228	50,80 X 85,72 SUPPORT RINGS		01
12	0503017940	8-337 BACK-UP RING		02
13	0503017939	2-337 N 3006-9B O' RING		02
14	0503010039	D-2000 SCRAPER RING		01
15	0503018026	1870-2000-375 B GASKET		01
16	0503018025	RING GUIDE		01
17	0503018024	RING BS		01

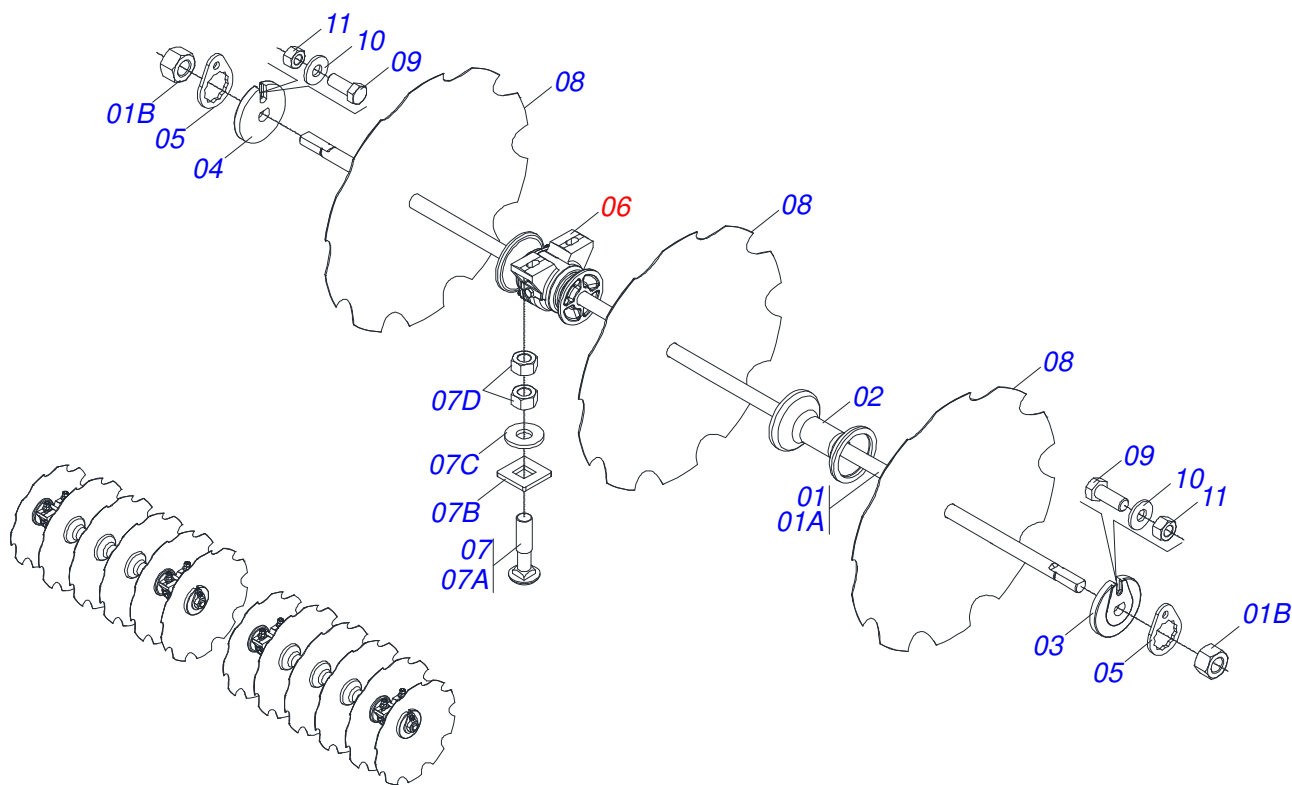




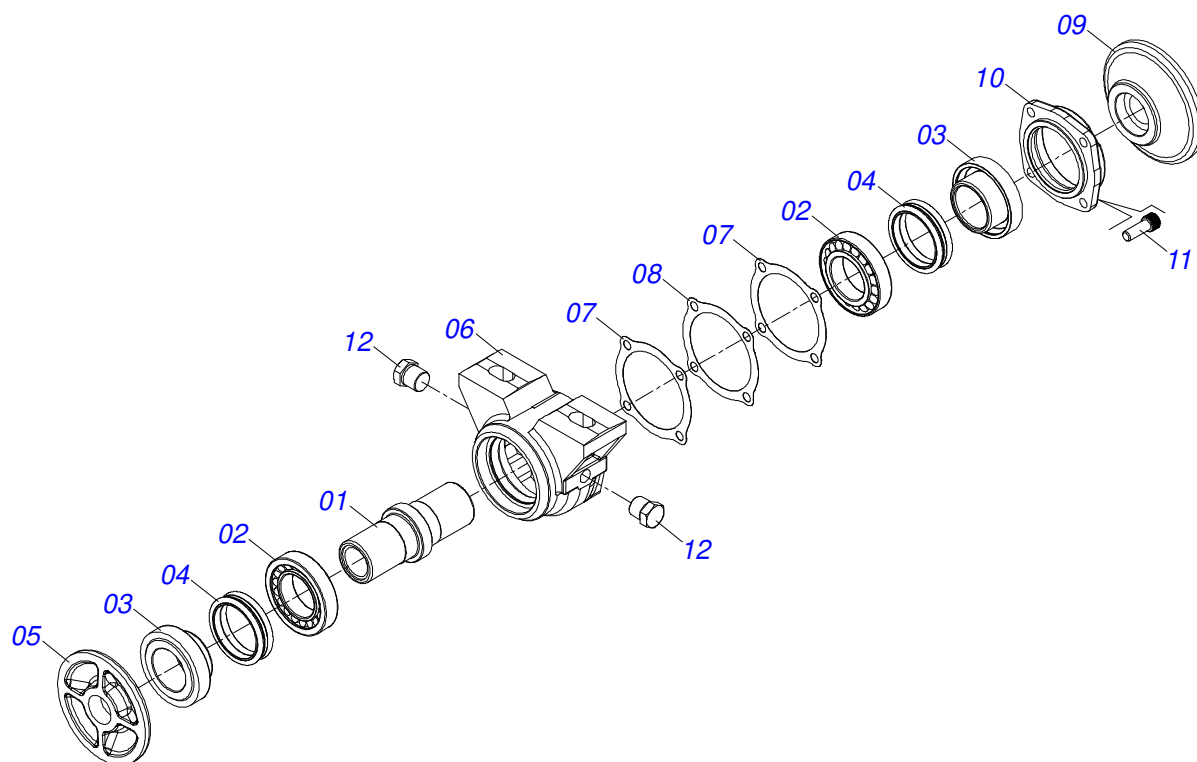
Item	Code	Description	See page	QT
01	0503011627	MALE QUICK COUPLER AGR 1/2 NPT		01
02	0503011882	MALE QUICK COUPLER CAP		01



Item	Code	Description	See page	QT
01	0511046089	AXLE 1.1/4 X 2470 WITH NUT	02	
01A	0511011406		01	
01B	0501010087	1.1/4" NUT	02	
02	0502010549	7.6" X 1-1/4" SPACER	18	
03	0502010834	1-1/4" INNER AXLE WASHER	02	
04	0502010835	1-1/4" EXTERNAL AXLE WASHER	02	
05	0501010455	1.1/4" NUT LOCK	04	
06	0501046922	AGRICULTURAL BEARING DM OL 192.5 X 1.1/4 8 IMPLEMENT	06	
07	0501058802	5/8 UNC X 2.3/4 BOLT ASSY	12	
07A	0503015154	5/8" X 2.3/4" BOLT	12	
07B	0501010947	5/8 NUT LOCK	12	
07C	0501012140	FLAT WASHER	12	
07D	0503010013	5/8" NUT	24	
08	0602029421	NOTCHED DISC	26	
09	0503010395	1/2" X 1-1/4" BOLT	04	
10	0503010019	1/2" SPRING WASHER	04	
11	0503010060	1/2" NUT	04	



Item	Code	Description	See page	QT
01	0511046089	AXLE 1.1/4 X 2470 WITH NUT		02
01A	0511011406			01
01B	0501010087	1.1/4" NUT		02
02	0502010549	7.6" X 1-1/4" SPACER		18
03	0502010834	1-1/4" INNER AXLE WASHER		02
04	0502010835	1-1/4" EXTERNAL AXLE WASHER		02
05	0501010455	1.1/4" NUT LOCK		04
06	0501046922	AGRICULTURAL BEARING DM OL 192.5 X 1.1/4 8 IMPLEMENT		06
07	0501058802	5/8 UNC X 2.3/4 BOLT ASSY		12
07A	0503015154	5/8" X 2.3/4" BOLT		12
07B	0501010947	5/8 NUT LOCK		12
07C	0501012140	FLAT WASHER		12
07D	0503010013	5/8" NUT		24
08	0602029421	NOTCHED DISC		24
08.	0602027342	DR20X4,5 C57AF02FR1.5/16 10R TATU		02
09	0503010395	1/2" X 1-1/4" BOLT		04
10	0503010019	1/2" SPRING WASHER		04
11	0503010060	1/2" NUT		04



Item	Code	Description	See page	QT
01	0502040218	AXLE		01
02	0503010111	30210 ROLLER BEARING		02
03	0502010541	SEAL RETAINER		02
04	0503030026	SEAL LP JB-253		02
05	0502010071	INNER FLANGE		01
06	0502010540	HOUSING DM		01
07	0503030013	4.4" X 3.5" X 0.004" JOINT		02
08	0503030684	4.4" X 3.5" X 0.004" JOINT		01
09	0502010070	OUTER FLANGE		01
10	0502020424	HOUSING CAP		01
11	0503010134	3/8" X 1" BOLT		04
12	0503010856	OIL PLUG		02
13	3402301247	MINERAL OIL GREASE		0,11Lts





**MARCHESAN**

***Technical Publications | Elaboration and Revision***

LORENA ROCHA ALVES

[www.marchesan.com.br](http://www.marchesan.com.br)

