

PARTS CATALOGUE

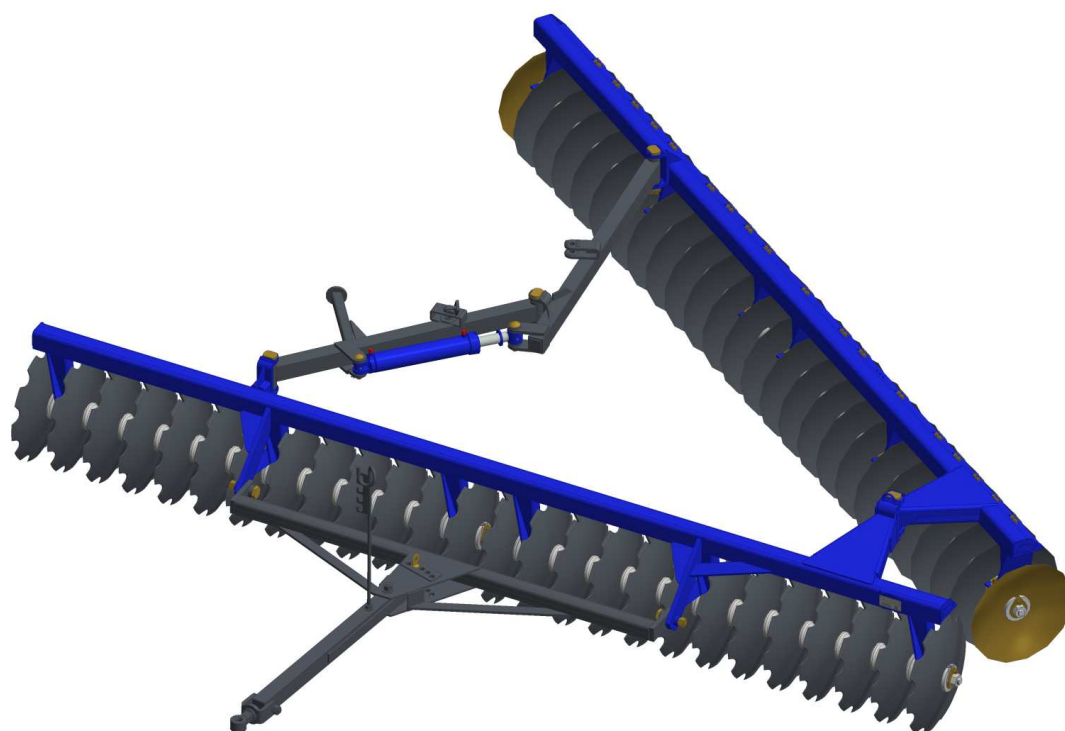
HINGE TYPE OFFSET DISK HARROW

Code:

0501092909

Product:

GN 52/60D - PA - AXLE 1.1/2



Series:

S-0590

Revision:

00

Date Revision:

FEVEREIRO/2021



PRODUCTS

Code	Description
0102110167	GN 52 X 24 X 4,75 DM PA E1.1/2 S590
0102110254	GN 60X22X4,50 DR DM PA EIXO1.1/2 S-0590

ATTENTION: IMPORTANT

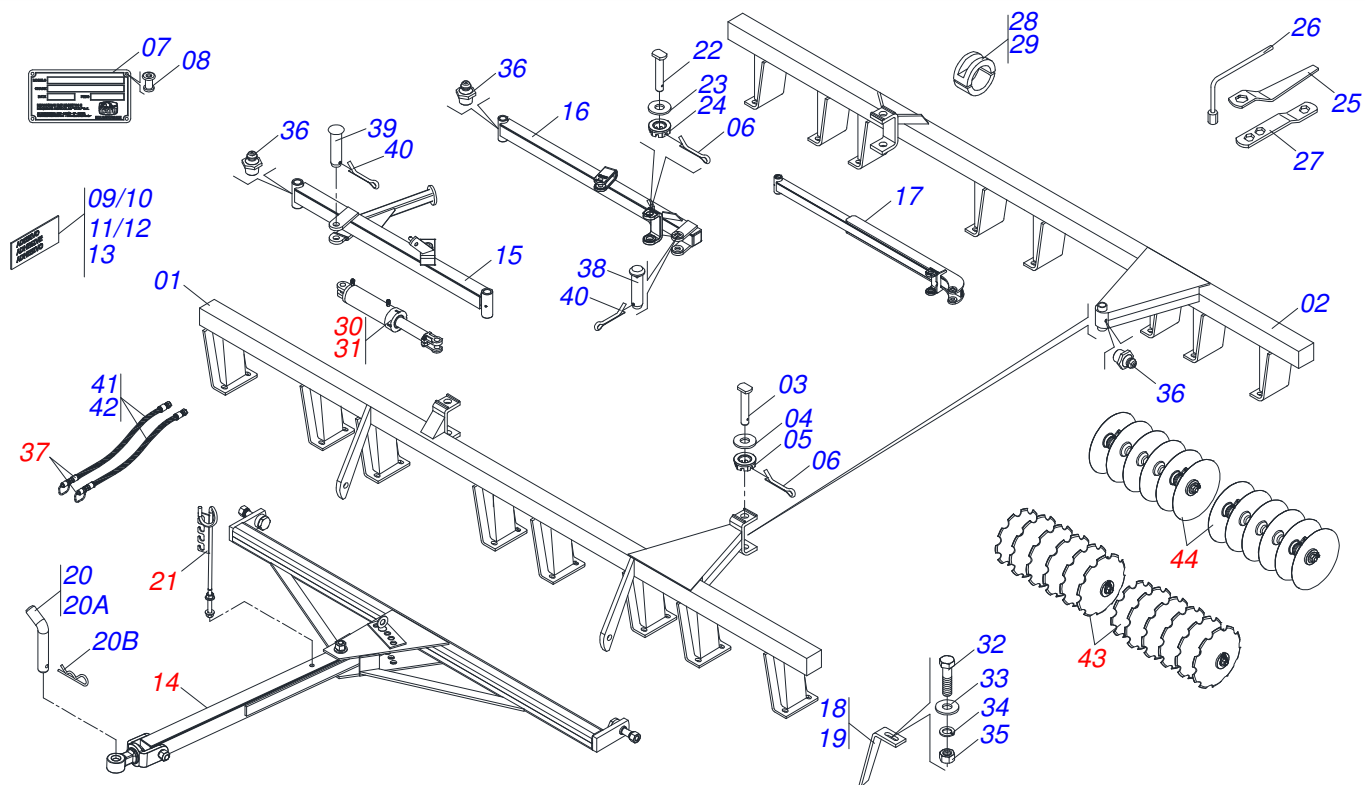
Marchesan S.A. reserves the right to improve and / or modify the technical features of its products, without obligation to do the same with those products already sold and without prior knowledge of the dealer or the consumer.



INDEX

0909095596	ASSY FRAME	1
0501043082	DRAWBAR ASSY	2
0501040257	3/4 X 1200 HOSE HOLDER A	3
0511058459	HYDRAULIC CYLINDER	4
0511048104	44,45 X 85,72 HYDRAULIC CYLINDER	5
0501053834	MALE QUICK COUPLER WITH CAP - 1/2 NPT	6
0909095597	FRONT GANG DISC 52/60D	7
0909095598	REAR GANG DISC 52/60D	8
0501047055	BEARING	9
0501041557	225MM X 1.5/8" RD. OIL BATH BEARING	10

ASSY FRAME



Item	Code	Description	See page	52 60
01	0501064679	FRONT FRAME 52		01 00
01.	0501064683	FRONT FRAME 60		00 01
02	0501064611	REAR FRAME 52		01 00
02.	0501064614	REAR FRAME 60		00 01
03	0531019497	1.5" X 9.2" ARTICULATED AXIS		03 03
04	0531019540	FLAT WASHER		03 03
05	0501011301	1.1/2 UNC 6FPP 2.5/16 NUT		03 03
06	0503010010	1/4" X 2.1/2" COTTERPIN		03 03
07	0503034003	SERIAL NUMBER TAG 61 X 118		01 01
08	0503010001	3.2 X 5.5 RIVET		04 04
09	0503034021	LABEL ADHESIVE GN		01 01
10	0503035341	ADHESIVE LABEL		01 01
11	0503031428	READ MANUAL DECAL		01 01
12	0503031087	ADHESIVE LABEL		01 01
13	0503031827	LUBRICATE AND RETIGHTEN DAILY DECAL		01 01
14	0501043082	DRAWBAR ASSY	2	01 01
15	0501064461	FRONT STAB BAR		01 00
15.	0501065955	78" FRONT ESTAB BAR		00 01
16	0501064462	63" REAR STABILIZER BAR		01 00
17	0501065957	85.2" REAR STABILIZER BAR		00 01
18	0501063963	FRONT SCRAPER		17 21
19	0501063962	REAR SCRAPER		17 21
20	0501040343	DRAWBOLT ASSY		01 01
20A	0521010453	AXI SHAFT		01 01
20B	0503031035	HAIR PIN		01 01
21	0501040257	3/4 X 1200 HOSE HOLDER A	3	01 01
22	0531019497	1.5" X 9.2" ARTICULATED AXIS		01 00
23	0531019540	FLAT WASHER		01 00
24	0501011301	1.1/2 UNC 6FPP 2.5/16 NUT		01 00
25	0501011432	1-1/2" AND 1-5/8 GANG BOLT WRENCH		02 02
26	0501068273	5/8" WRENCH		01 01

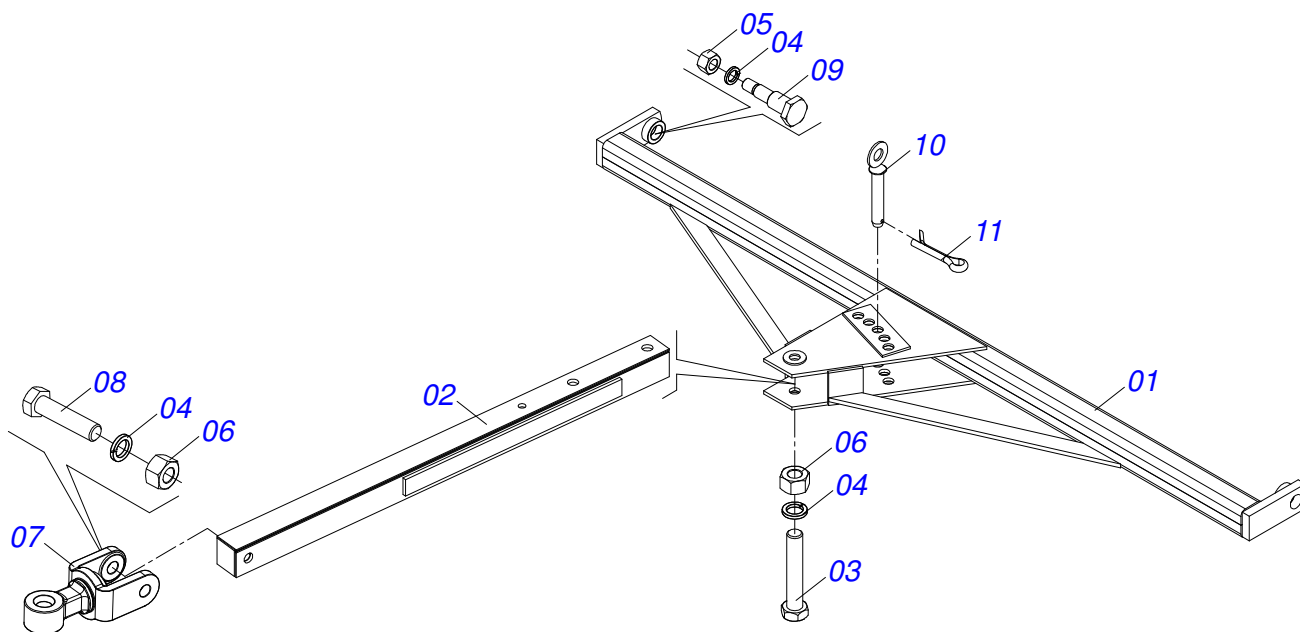


ASSY FRAME

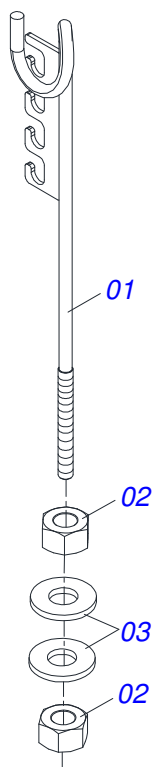
0909095596

Item	Code	Description	See page	52	60
27	0511018451	5/8" X 3/4" X 1" UNIVERSAL		01	01
28	0501047895	ROD STOP		06	06
29	0501047885	ROD STOP		04	04
30	0511058459	HYDRAULIC CYLINDER	4	01	00
31	0511048104	44,45 X 85,72 HYDRAULIC CYLINDER	5	00	01
32	0503011082	C1/2" X 1.3/4" SCREW		68	92
33	0511017302	FLAT WASHER		68	92
34	0503010019	1/2" SPRING WASHER		68	92
35	0503010060	1/2" NUT		68	92
36	0503010002	1800 GREASE FITTING		04	06
37	0501053834	MALE QUICK COUPLER WITH CAP - 1/2 NPT	6	02	00
38	0521013077	1.2" X 5.7" PIVOT SHAFT		01	01
39	0521010544	1.2" X 4.9" COUPLING SHAFT		01	01
40	0503010010	1/4" X 2.1/2" COTTERPIN		02	02
41	0501051049	HOSE KIT		01	00
42	0501051050	HOSE ASSY		00	01
43	0909095597	FRONT GANG DISC 52/60D	7	01	01
44	0909095598	REAR GANG DISC 52/60D	8	01	01

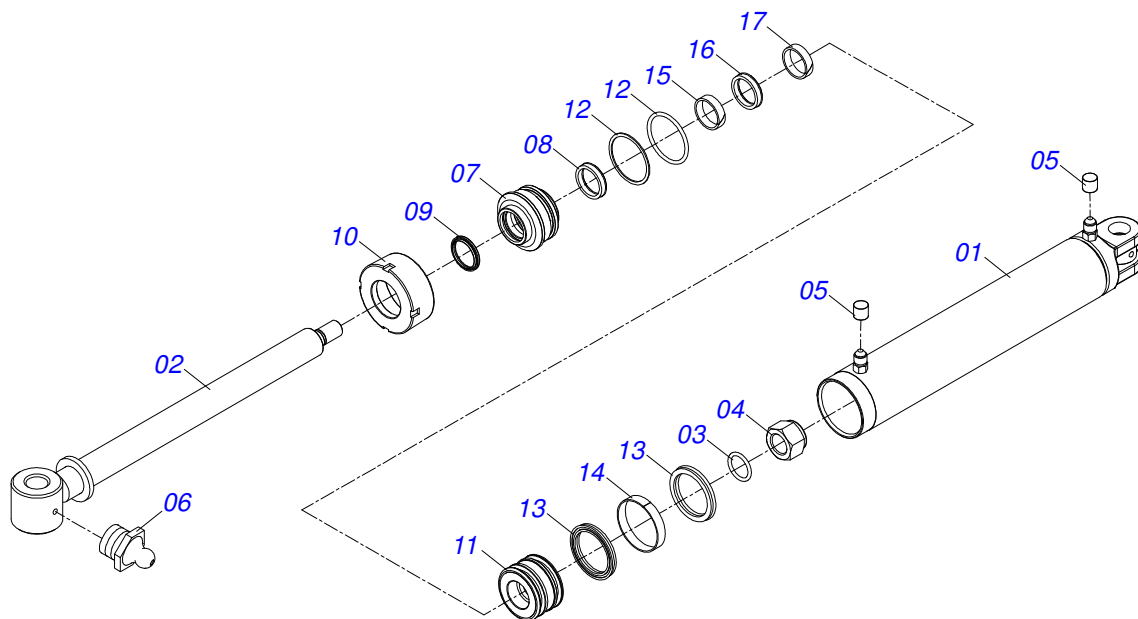
DRAWBAR ASSY



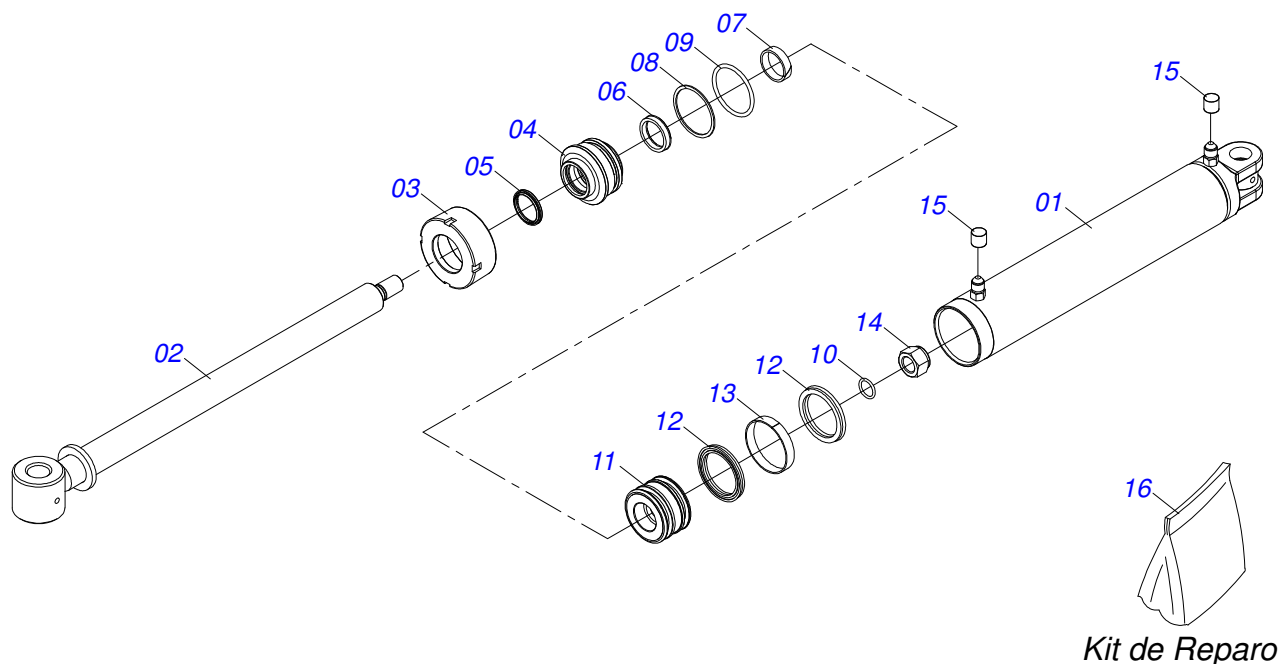
Item	Code	Description	See page	QT
01	0501064920	89.4" OFFSET BAR		01
02	0501060188	DRAWBAR ASSY		01
03	0501010191	1" X 6" BOLT		01
04	0503010012	1" SPRING WASHER		04
05	0503010340	1" NUT		02
06	0501010059	1.5/8 NUT		02
07	0521061775	TRACTOR HITCH		01
08	0501010060	1" X 6-1/2" BOLT		01
09	0501018191	BARRANG BOLT		02
10	0501068993	0.9" X 5.5" COUPLING SHAFT		01
11	0503010523	1/4" X 2" COTTERPIN		01



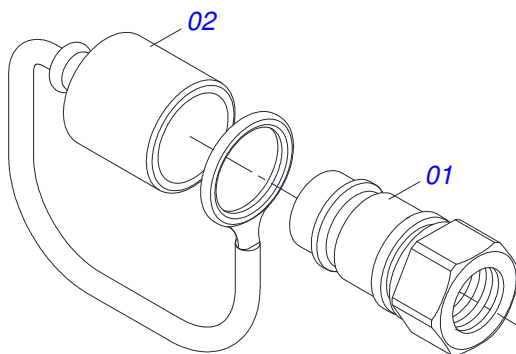
Item	Code	Description	See page	QT
01	0511067334	HOSE SOPPORT ASSY		01
02	0503010014	3/4" NUT		02
03	0501010322	FLAT WASHER		02



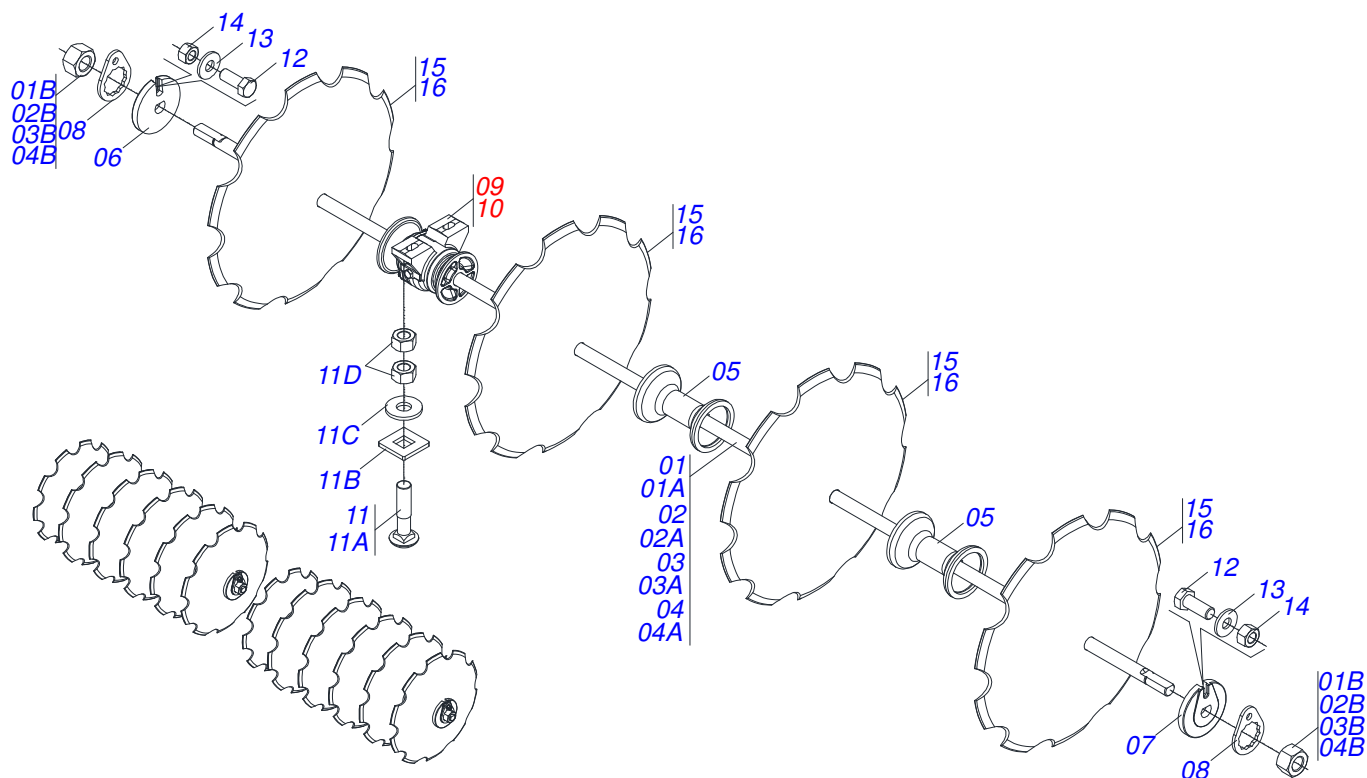
Item	Code	Description	See page	QT
001	0521061064	85,72 X 510 CYLINDER CASE		01
002	0521067533	50,80 X 697 EXTENSOR		01
003	0503010042	2-214 N 3006-9B O'RING		01
004	0503010063	1" SELF-ALIGNING NUT		01
005	0503030385	CYLINDER PLUG N-002		02
006	0503010002	1800 GREASE FITTING		02
007	0571019710	1.7" X 3.4" PISTON		01
008	0503017935	RING		01
009	0503018144	RING		01
010	0581013227	85,72 MOVEEL COVER		01
011	0581013228	50,80 X 85,72 SUPPORT RINGS		01
012	0503017940	8-337 BACK-UP RING		02
013	0503017939	2-337 N 3006-9B O' RING		02
014	0503010039	D-2000 SCRAPER RING		01
015	0503018026	1870-2000-375 B GASKET		01
016	0503018025	RING GUIDE		01
017	0503018024	RING BS		01



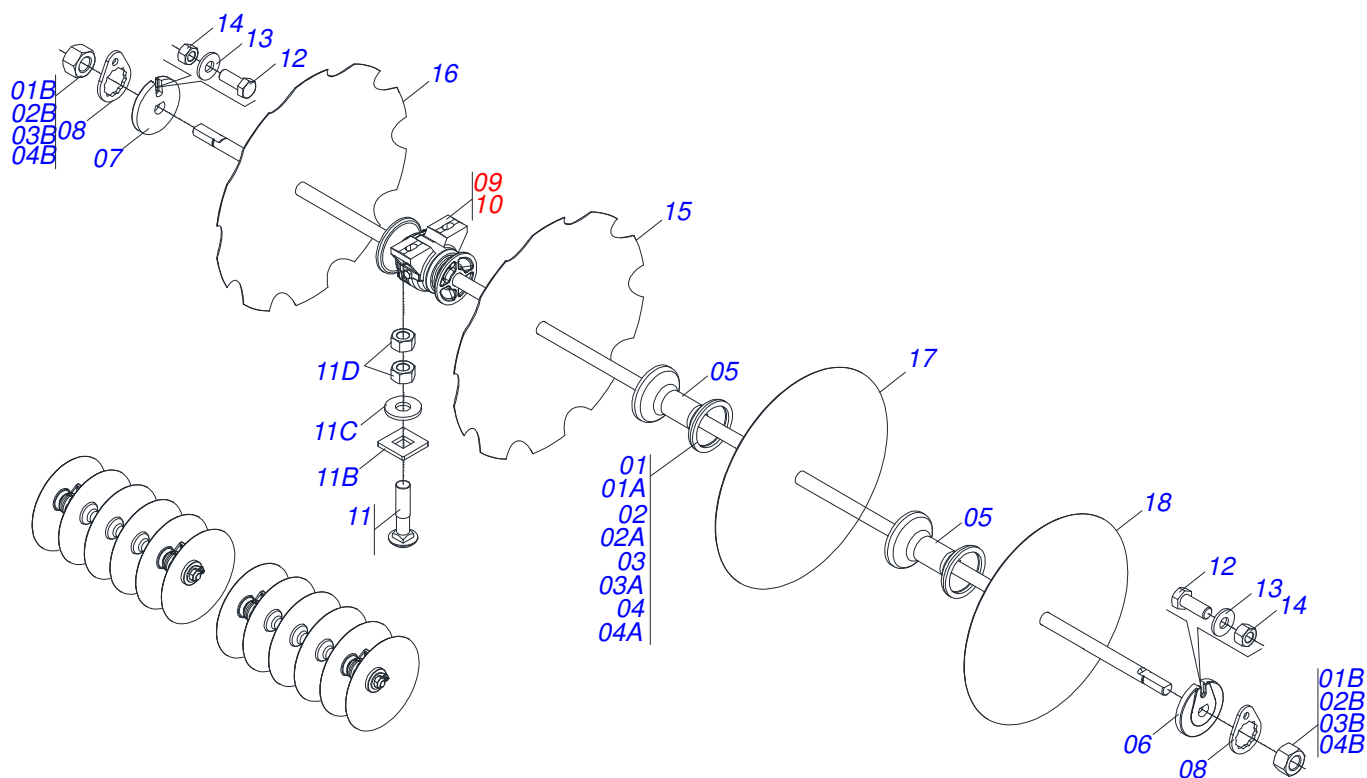
Item	Code	Description	See page	QT
01	0521061064	85,72 X 510 CYLINDER CASE		01
02	0521061065	44,45 X 697 TURNBUCLE		01
03	0502010993	DETACHABLE COVER		01
04	0502010781	RING SUPPORT		01
05	0503010761	D-1750 SCRAPER RING		01
06	0503010990	GASKET		01
07	0503010949	W2-2000-500 PK RING G.E		01
08	0503011060	8-336 BACK-UP RING		01
09	0503010976	2-336 N 3006-9B O'RING		01
10	0503010042	2-214 N 3006-9B O'RING		01
11	0502010843	1.8" X 3.4" PISTON		01
12	0503010170	PACKING 3120 2750		02
13	0503010948	W4-3346-590 PK RING G.E		01
14	0503010063	1" SELF-ALIGNING NUT		01
15	0503030385	CYLINDER PLUG N-002		02
16	0501031796	HYDRAULIC CYLINDER REPAIR KIT		01



Item	Code	Description	See page	QT
01	0503011627	MALE QUICK COUPLER AGR 1/2 NPT		01
02	0503011882	MALE QUICK COUPLER CAP		01

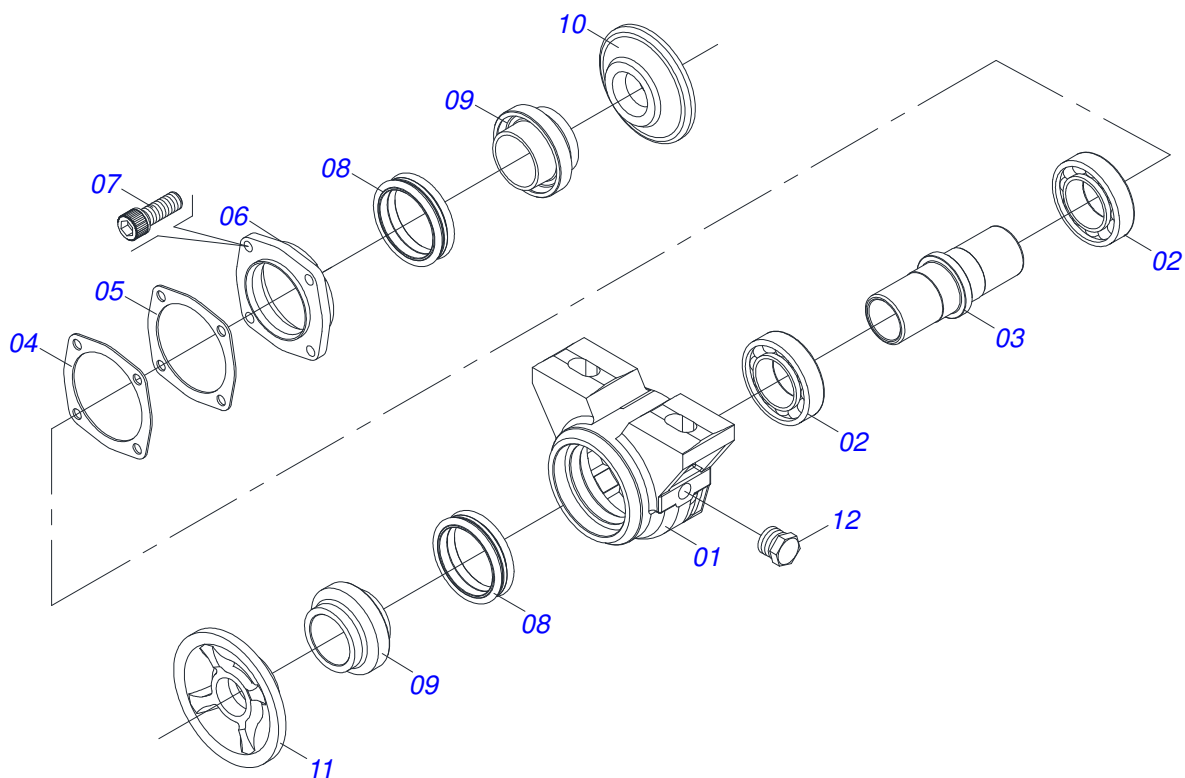


Item	Code	Description	See page	52 60
01	0511043292	AXIS 1.1/2 6FPP X 1090 WITH NUTS		02 00
01A	0541014456	AXIS 1.1/2 6FPP X 1090		01 00
01B	0501010110	1.1/2" NUT		02 00
02	0511043293	1.1/2 X AXLE W/NUT		02 00
02A	0541014457	1.1/2" 6FPP X 1285 AXLE		01 00
02B	0501010110	1.1/2" NUT		02 00
03	0501044105	1.1/2 X 1305 AXLE W/NUT		00 02
03A	0501010110	1.1/2" NUT		00 02
03B	0511011914	1.1/2 X 1305 AXLE		00 01
04	0501043697	1.1/2" X 1505 AXLE ASSY		00 02
04A	0511012601	1.1/2" X 1505 AXLE		00 01
04B	0501010110	1.1/2" NUT		00 02
05	0502010627	SPACER		14 18
06	0502010872	1-1/2" INNER AXLE WASHER		04 04
07	0502010871	1-1/2" EXTERNAL AXLE WASHER		04 04
08	0501018592	1.5/8" NUT LOCK		08 08
09	0501047055	BEARING	9	08 08
10	0501041557	225MM X 1.5/8" RD. OIL BATH BEARING	10	08 08
11	0501058802	5/8 UNC X 2.3/4 BOLT ASSY		14 16
11A	0503015154	5/8" X 2.3/4" BOLT		01 01
11B	0501010947	5/8 NUT LOCK		01 01
11C	0501012140	FLAT WASHER		01 01
11D	0503010013	5/8" NUT		02 02
12	0503010395	1/2" X 1-1/4" BOLT		08 08
13	0503010019	1/2" SPRING WASHER		08 08
14	0503010060	1/2" NUT		08 08
15	0602030446	24" X 4,75 NOTCHED DISC BLADE		26 00
16	0602029416	DR22X4,5 C64AF02FR1.9/16 10REC TATU		00 30

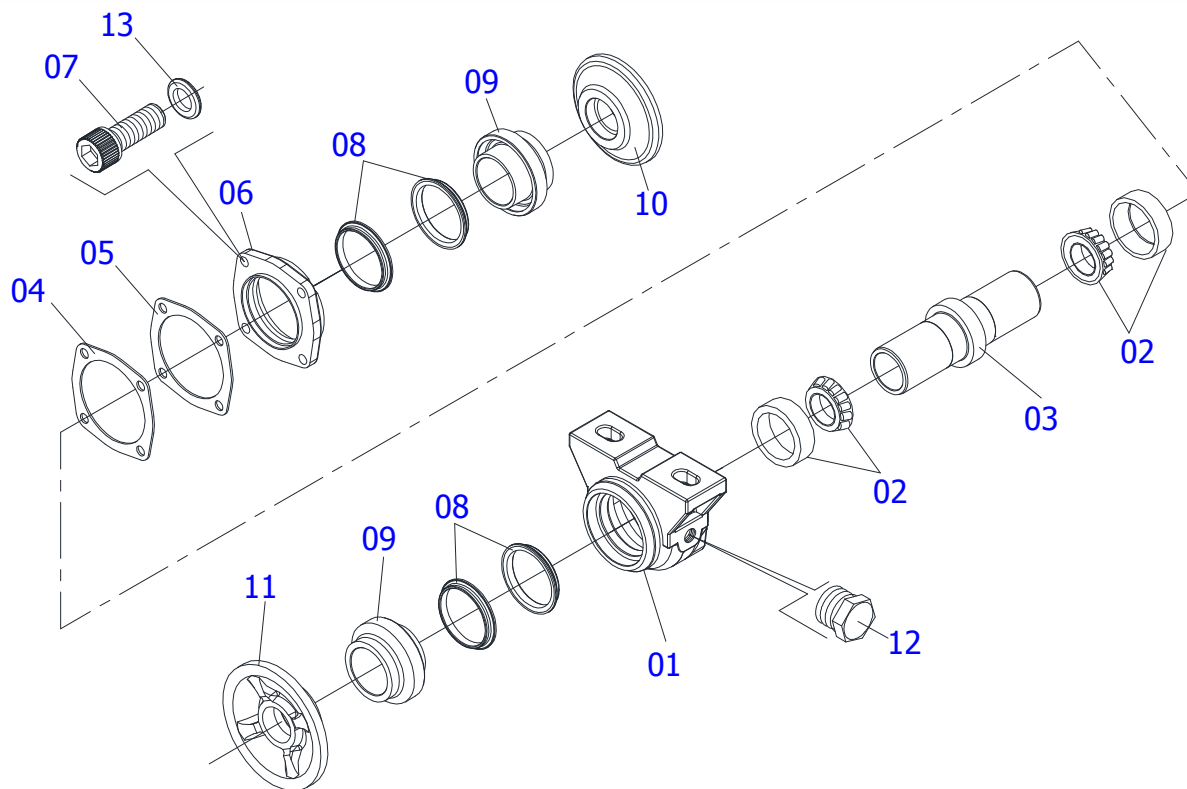


Item	Code	Description	See page	52	60
01	0511043292	AXIS 1.1/2 6FPP X 1090 WITH NUTS		02	00
01A	0541014456	AXIS 1.1/2 6FPP X 1090		01	00
01B	0501010110	1.1/2" NUT		02	00
02	0511043293	1.1/2 X AXLE W/NUT		02	00
02A	0541014457	1.1/2" 6FPP X 1285 AXLE		01	00
02B	0501010110	1.1/2" NUT		02	00
03	0501044105	1.1/2 X 1305 AXLE W/NUT		00	02
03A	0501010110	1.1/2" NUT		00	02
03B	0511011914	1.1/2 X 1305 AXLE		00	01
04	0501043697	1.1/2" X 1505 AXLE ASSY		00	02
04A	0511012601	1.1/2" X 1505 AXLE		00	01
04B	0501010110	1.1/2" NUT		00	02
05	0502010627	SPACER		14	18
06	0502010872	1-1/2" INNER AXLE WASHER		04	04
07	0502010871	1-1/2" EXTERNAL AXLE WASHER		04	04
08	0501018592	1.5/8" NUT LOCK		08	08
09	0501047055	BEARING	9	08	08
10	0501041557	225MM X 1.5/8" RD. OIL BATH BEARING	10	08	08
11	0501058802	5/8 UNC X 2.3/4 BOLT ASSY		14	16
11A	0503015154	5/8" X 2.3/4" BOLT		01	01
11B	0501010947	5/8 NUT LOCK		01	01
11C	0501012140	FLAT WASHER		01	01
11D	0503010013	5/8" NUT		02	02
12	0503010395	1/2" X 1-1/4" BOLT		08	08
13	0503010019	1/2" SPRING WASHER		08	08
14	0503010060	1/2" NUT		08	08
15	0602030446	24" X 4,75 NOTCHED DISC BLADE		26	00
15.	0602029416	DR22X4,5 C64AF02FR1.9/16 10REC TATU		00	28
16	0602027343	DR20X4,5 C57AF02FR1.9/16 10R TATU		00	02
17	0601031039	DL24X4,75 C72AF02FR1.9/16 TATU TERR		24	00
18	0601029413	DL22X4,5 C64AF02FR1.9/16 TATU		02	00

BEARING



Item	Code	Description	See page	QT
01	0502010540	HOUSING DM		01
02	0503010006	32210 ROLLER BEARING		02
03	0502040061	AXLE		01
04	0503030013	4.4" X 3.5" X 0.004" JOINT		03
05	0503030684	4.4" X 3.5" X 0.004" JOINT		02
06	0502020424	HOUSING CAP		01
07	0503010134	3/8" X 1" BOLT		04
08	0503030026	SEAL LP JB-253		02
09	0502010541	SEAL RETAINER		02
10	0502010604	OUTER FLANGE		01
11	0502010605	INNER FLANGE		01
12	0503010856	OIL PLUG		02



Item	Code	Description	See page	QT
01	0502010539	HOUSING DM		01
02	0503010006	32210 ROLLER BEARING		02
03	0502040061	AXLE		01
04	0503030013	4.4" X 3.5" X 0.004" JOINT		03
05	0503030684	4.4" X 3.5" X 0.004" JOINT		02
06	0502020424	HOUSING CAP		01
07	0503010134	3/8" X 1" BOLT		04
08	0503030026	SEAL LP JB-253		02
09	0502010541	SEAL RETAINER		02
10	0502010604	OUTER FLANGE		01
11	0502010605	INNER FLANGE		01
12	0503010856	OIL PLUG		01



ANNOTATION

A series of horizontal lines for writing, spaced evenly down the page.





www.marchesan.com.br



Technical Publications | Elaboration and Revision
LORENA ROCHA ALVES