

PARTS CATALOGUE



OFFSET DISK HARROW

Code:

0501092907

Product:

ATCRL 6009 - 26D



Series:

S-1091

Revision:

00

Date Revision:

JANEIRO/2021



PRODUCTS

Code	Description
0102440488C	ATCRL 6009 26 X 24 X 6,00 DM C/ET EXP S-1091
0102440488	ATCRL 6009 26 X 24 X 6,00 DM C/ET S-1091
0102440489	ATCRL 6009 26 X 26 X 6,00 DM C/ET ESP S-1091
0102440489C	ATCRL 6009 26 X 26 X 6,00 DM C/ET ESP EXP S-1091

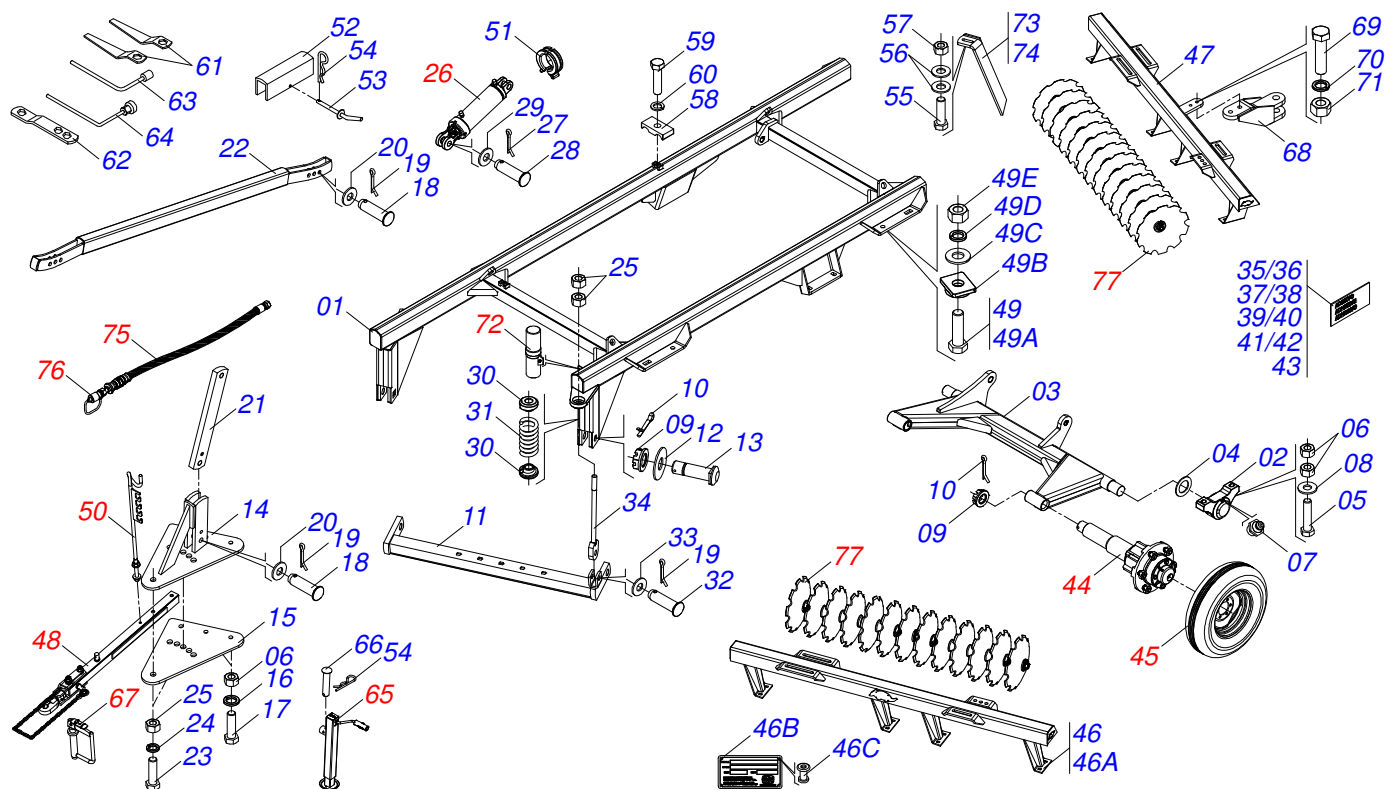
ATTENTION: IMPORTANT

Marchesan S.A. reserves the right to improve and / or modify the technical features of its products, without obligation to do the same with those products already sold and without prior knowledge of the dealer or the consumer.



INDEX

0909095551	FRAME ASSY	1
0511059180	HYDRAULIC CYLINDER	2
0501055300	WHEEL WITHOUT TIRE	3
0503060091	L29.5"X0.63"-10L WHEEL AND	4
0501044596	DRAWBAR ASSY	5
0501040257	3/4 X 1200 HOSE HOLDER A	6
0521057318	HITCH HITCH 25.4 X 152.4 WITH LOCK	7
0521055904	MANUAL STORAGE TUBE ASSY	8
0501053834	MALE QUICK COUPLER WITH CAP - 1/2 NPT	9
0503011360	HOSE KIT	10
0909095552	DISC GANG SECTION	11
0501043030	225MM X 1.1/2" RD. OIL BATH BEARING	12



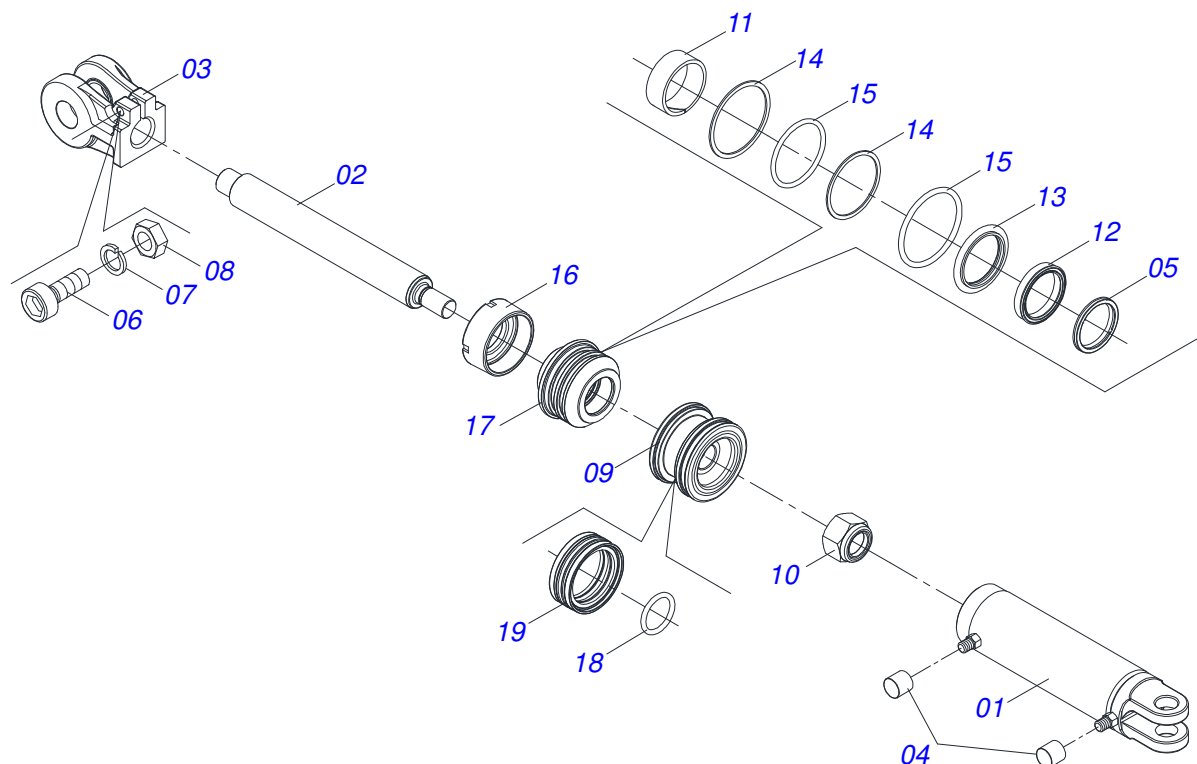
Item	Code	Description	See page	QT
01	0501068765	FRAME		01
02	0501110856	ARTICULACION BEARING		02
03	0501065518	CARRYING-WHEELS		01
04	0501017579	FLAT WASHER		02
05	0503010797	3/4" X 4" BOLT		04
06	0503010014	3/4" NUT		11
07	0503010002	1800 GREASE FITTING		02
08	0501010322	FLAT WASHER		04
09	0501011301	1.1/2 UNC 6FPP 2.5/16 NUT		04
10	0503010010	1/4" X 2.1/2" COTTERPIN		04
11	0501063260	OFFSET BAR		01
12	0511019880	FLAT WASHER		02
13	0521017538	11-1/2" X 5" COUPLING SHAFT		02
14	0501066099	UPPER PLATE WITH SUPPORT		01
15	0501010241	UPPER /LOWER PLATE		01
16	0503011442	3/4" SPRING WASHER		03
17	0503011198	C3/4" X 6" SCREW		03
18	0521010576	0.9" X 3.7" COUPLING SHAFT		03
19	0503010571	1/4" X 1.1/2 COTTERPIN		04
20	0501011445	FLAT WASHER		03
21	0511012972	TSTABILIZER BAR TOWER		01
22	0511066932	CSTABILIZER BARCOTTERPIN		01
23	0501010060	1" X 6-1/2" BOLT		02
24	0503011438	SPRING WASHER		02
25	0501010059	1.5/8 NUT		04
26	0511059180	HYDRAULIC CYLINDER	2	01
27	0503010523	1/4" X 2" COTTERPIN		02
28	0521010779	31.75 X 95 COUPLING SHAFT		02
29	0501017779	32 X 60 X 4.75 FLAT WASHER		02
30	1902020392	SPRING SUPPORT		02
31	0503030441	12.7" X 5.7" X 0.5"SPRING		01



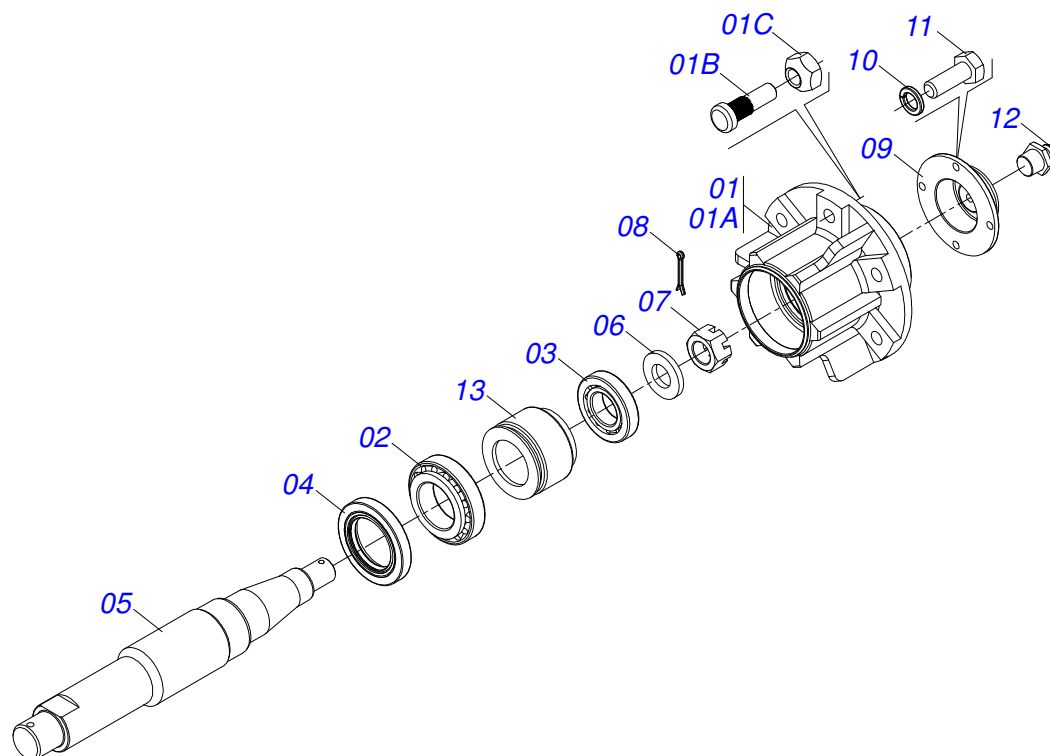
FRAME ASSY

0909095551

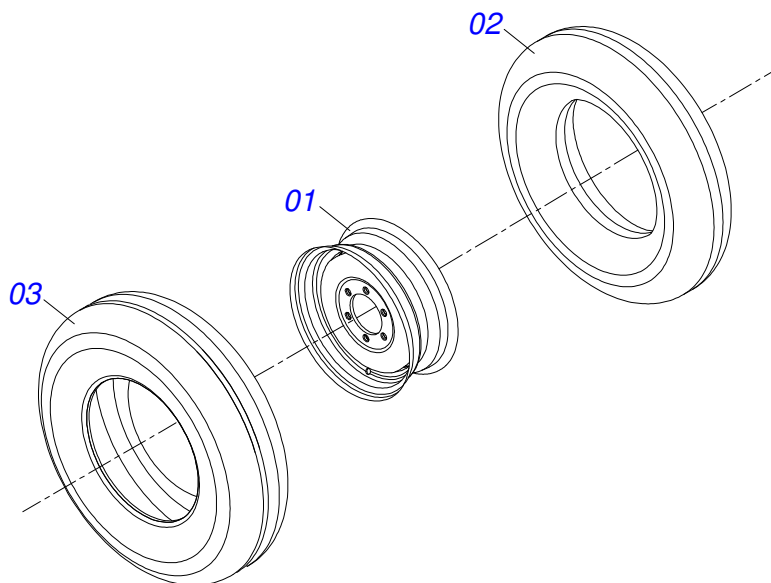
Item	Code	Description	See page	QT
32	0521010592	1.1" X 3.1" COUPLING SHAFT		01
33	0561011883	FLAT WASHER		01
34	0501064698	SPRING ROD		01
35	0503031087	ADHESIVE LABEL		01
36	0503031428	READ MANUAL DECAL		01
37	0503031827	LUBRICATE AND RETIGHTEN DAILY DECAL		01
38	0503034499	HOSE IDENTIFICATION DECAL		01
39	0503034078	LIFTING POINTS DECAL		01
40	0503061529	ASSY LABEL ADHESIVE		01
41	0503033038	DANGER SIGN		01
42	0503031738	ADHESIVE LABEL		01
43	0503031739	ADHESIVE LABEL		01
44	0501055300	WHEEL WITHOUT TIRE	3	02
45	0503060091	L29.5"X0.63"-10L WHEEL AND	4	02
46	0521058186	FRONT FRAME WITH LABEL		01
46A	0531061012	FRONT FRAME		01
46B	0503034003	SERIAL NUMBER TAG 61 X 118		01
46C	0503010001	3.2 X 5.5 RIVET		04
47	0531061014	REAR FRAME		01
48	0501044596	DRAWBAR ASSY	5	01
49	0501040877	C1" X 3-1/4" ASSY BOLT		08
49A	0501010171	PARAFUSO 1 UNC X 3.1/2 C S G.5		01
49B	0502012861	1" SQUARE WASHER		01
49C	0501010065	1" SPRING WASHER		01
49D	0503010012	1" SPRING WASHER		01
49E	0501010059	1.5/8 NUT		01
50	0501040257	3/4 X 1200 HOSE HOLDER A	6	01
51	0501047895	ROD STOP		04
52	0511010839	TRANSPORT LOCK 7.9" X 2.1" X 0.4"		01
53	0501068994	0.3" X 3.1" LOCK PIN		01
54	0503030168	HAIR PIN		02
55	0503011082	C1/2" X 1.3/4" SCREW		32
56	0511017302	FLAT WASHER		64
57	0503010060	1/2" NUT		32
58	0502010477	HOSE CLAMP		02
59	0503011135	BOLT		02
60	0503010180	7/16" SPRING WASHER		02
61	0501011432	1-1/2" AND 1-5/8 GANG BOLT WRENCH		02
62	0511018451	5/8" X 3/4" X 1" UNIVERSAL		01
63	0501068273	5/8" WRENCH		01
64	0501061617	1" GANG BOLT WRENCH		01
65	0503062157	HEADER JACK		01
66	0521010549	COUPLING SHAFT		01
67	0521057318	HITCH HITCH 25.4 X 152.4 WITH LOCK	7	01
68	0511064810	REAR HITCH		01
69	0503011346	7/8" X 3-1/2" BOLT		02
70	0503010408	7/8" SPRING WASHER		02
71	0503010417	7/8" NUT		02
72	0521055904	MANUAL STORAGE TUBE ASSY	8	01
73	0501064167	REAR SCRAPER		08
74	0501064168	REAR SCRAPER		08
75	0503011360	HOSE KIT	10	01
76	0501053834	MALE QUICK COUPLER WITH CAP - 1/2 NPT	9	02
77	0909095552	DISC GANG SECTION	11	01



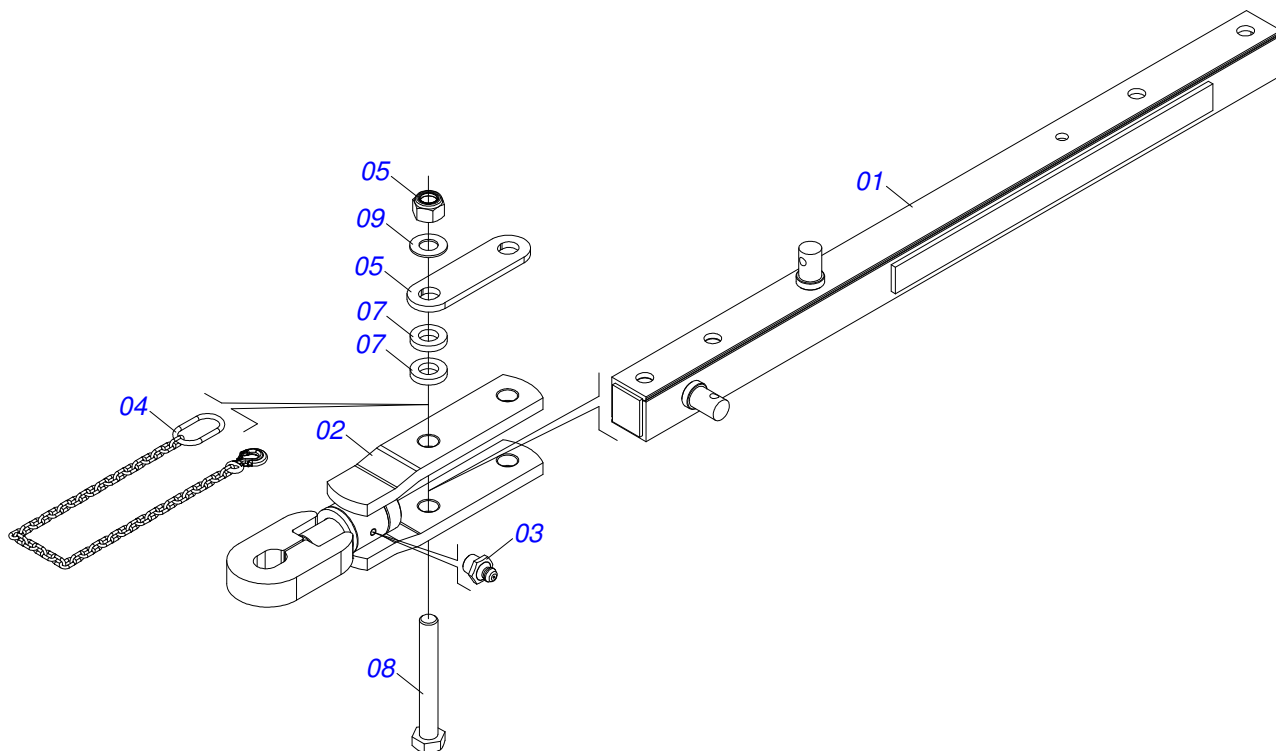
Item	Code	Description	See page	QT
001	0511070658	CYLINDER CASE		01
002	0571019958	HYDRAULIC CYLINDER TURNBUCKLE		01
003	0502040747	32.54 CLEVIS CLAMP		01
004	0503030385	CYLINDER PLUG N-002		02
005	0503010039	D-2000 SCRAPER RING		01
006	0503011094	3/8" X 2" BOLT		01
007	0503011443	3/8" SPRING WASHER		01
008	0503010026	3/8" NUT		01
009	0502012820	50.80 X 101.60 PISTON		01
010	0503010817	1.1/4" SELF LOCKING NUT		01
011	0503018025	RING GUIDE		01
012	0503018026	1870-2000-375 B GASKET		01
013	0503018024	RING BS		01
014	0503010338	2-342 N 3006-9B O'RING		02
015	0503011061	8-342 BACK-UP RING		02
016	0502012822	101.60 END CAP		01
017	0502012821	50.80 X 101.60 RING SUPPORT		01
018	0503018029	2-217 O'RING		01
019	0503015633	SELEMASTER SEALING		01



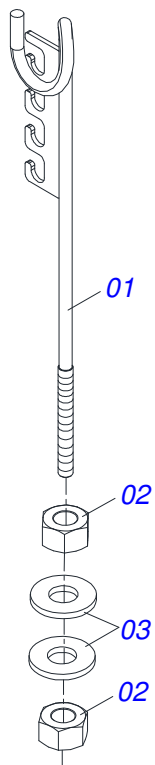
Item	Code	Description	See page	QT
01	0501110728	WHEEL HUB		01
01A	0502011121	CARRYING WHEEL HUB		01
01B	0501010127	9/16" X 1-7/8" LUG BOLT		06
01C	0503010035	9/16" CONIC NUT		06
02	0503012171	32210 ROLLER BEARING		01
03	0503012170	30207 ROLLER BEARING		01
04	0503012928	SEAL		01
05	0521010821	2.5" X 16.5" AXLE		01
06	0501016545	FLAT WASHER		01
07	0503030009	1" CASTLE NUT		01
08	0503010018	5/32 X 1-1/2 COTTERPIN		01
09	0502020591	PROTECCION COVER		01
10	0503011444	SPRING WASHER		04
11	0503010358	5/16" X 5/8" BOLT		04
12	0503010002	1800 GREASE FITTING		01
13	1882970002	GREASE SOAP		00



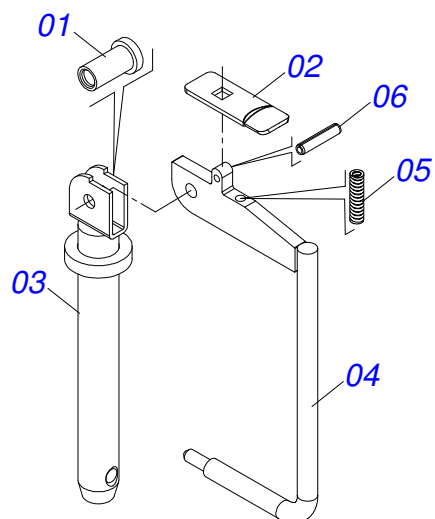
Item	Code	Description	See page	QT
01	0503010893	WHEEL		01
02	0503010033	7.50 X 16 INNER TIRE		01
03	0503010120	CANVAS TIRE		01



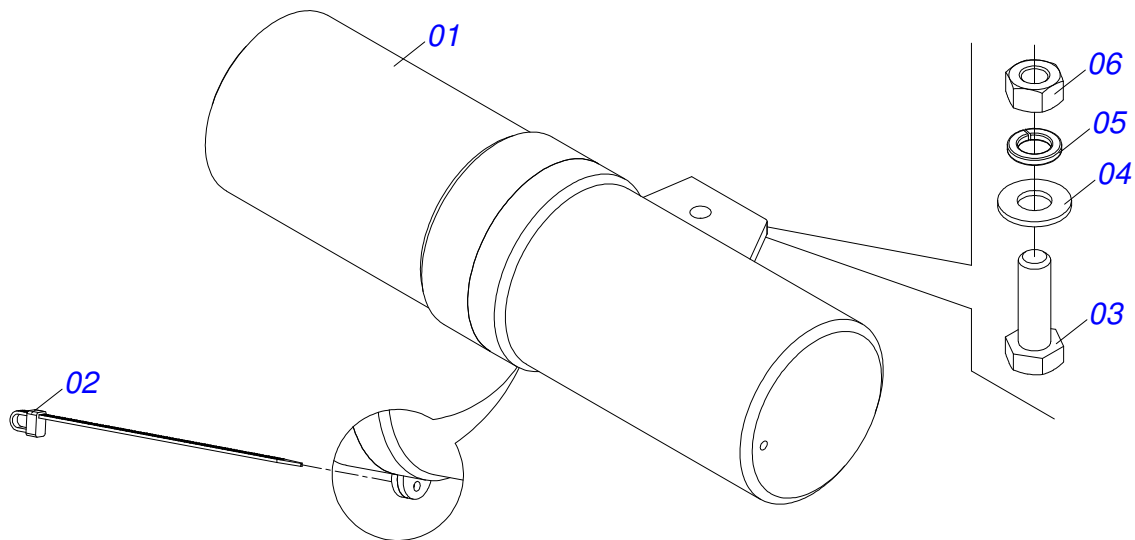
Item	Code	Description	See page	QT
01	0501066559	DRAWBAR		01
02	0501066560	TRACTOR HITCH		01
03	0503010002	1800 GREASE FITTING		01
04	0503019567	SECURITY CHAIN 1300 X 5/16 WITH HOOK / RING		01
05	0591014183	CURRENT FIXING PLATE		01
06	0503018754	1-8 UNC NUT		02
07	0521012087	FLAT WASHER		04
08	0501010219	1" X 7-1/2" BOLT		02
09	0551014872	FLAT WASHER		02



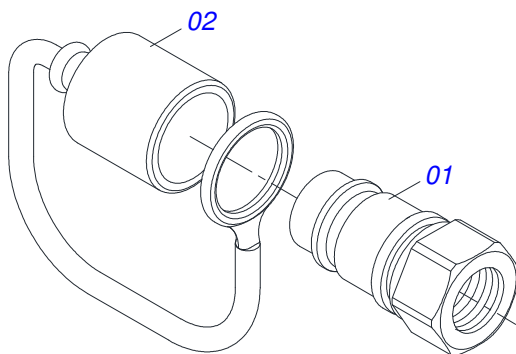
Item	Code	Description	See page	QT
01	0511067334	HOSE SOPPORT ASSY		01
02	0503010014	3/4" NUT		02
03	0501010322	FLAT WASHER		02



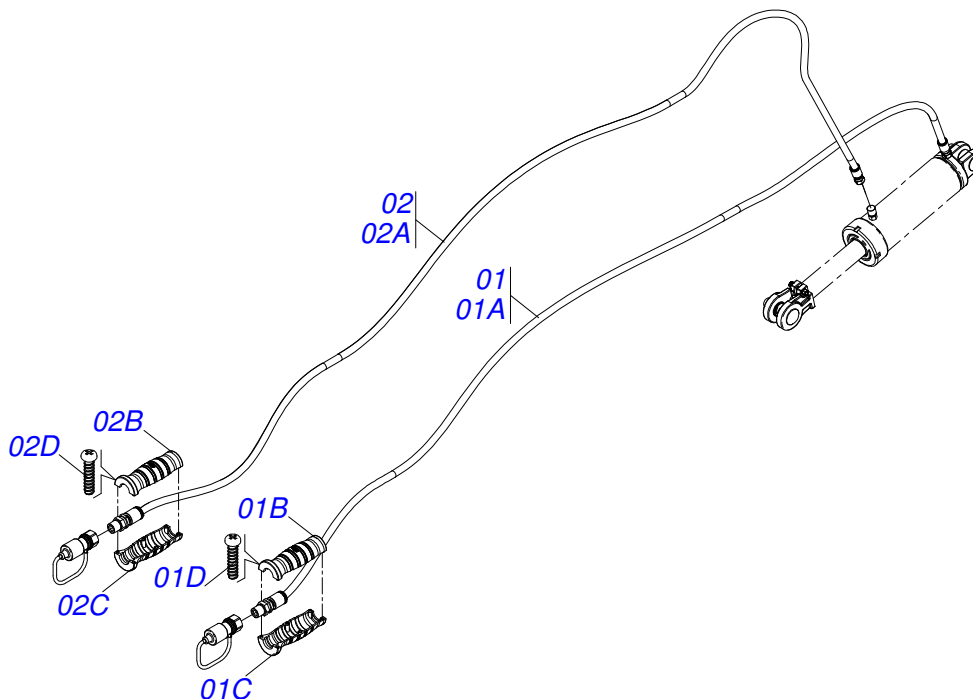
Item	Code	Description	See page	QT
01	0591012353	PIN 9,3 X 18		01
02	0591012352	DISCONNECT AXLE HITCH		01
03	0531060552	AXLE 25,4 X 205		01
04	0531060553	HITCH LOCK AXIS 25.4		01
05	0503035062	COMPRESSION SPRING 6.35 X 25 X 1.28		01
06	0503019613	ELASTIC PIN 5X24 701136		01



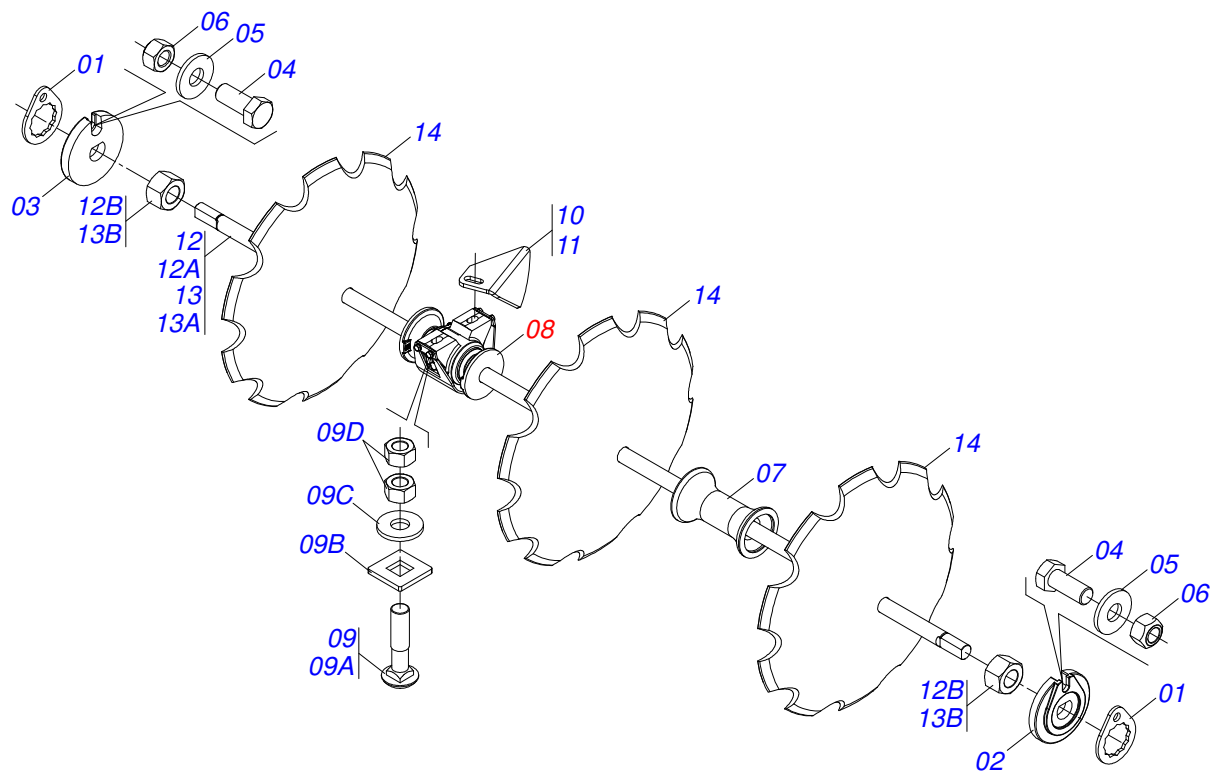
Item	Code	Description	See page	QT
01	0503060100	OPERATOR'S MANUAL STORAGE TUBE		01
02	0503010267	NYLON CLAMP		01
03	0503010363	5/16" X 1" BOLT		01
04	0501010694	8.5 X 18 X 1.5 FLAT WASHER		01
05	0503010179	5/16" ZN SPRING WASHER		01
06	0503010337	5/16" NUT		01



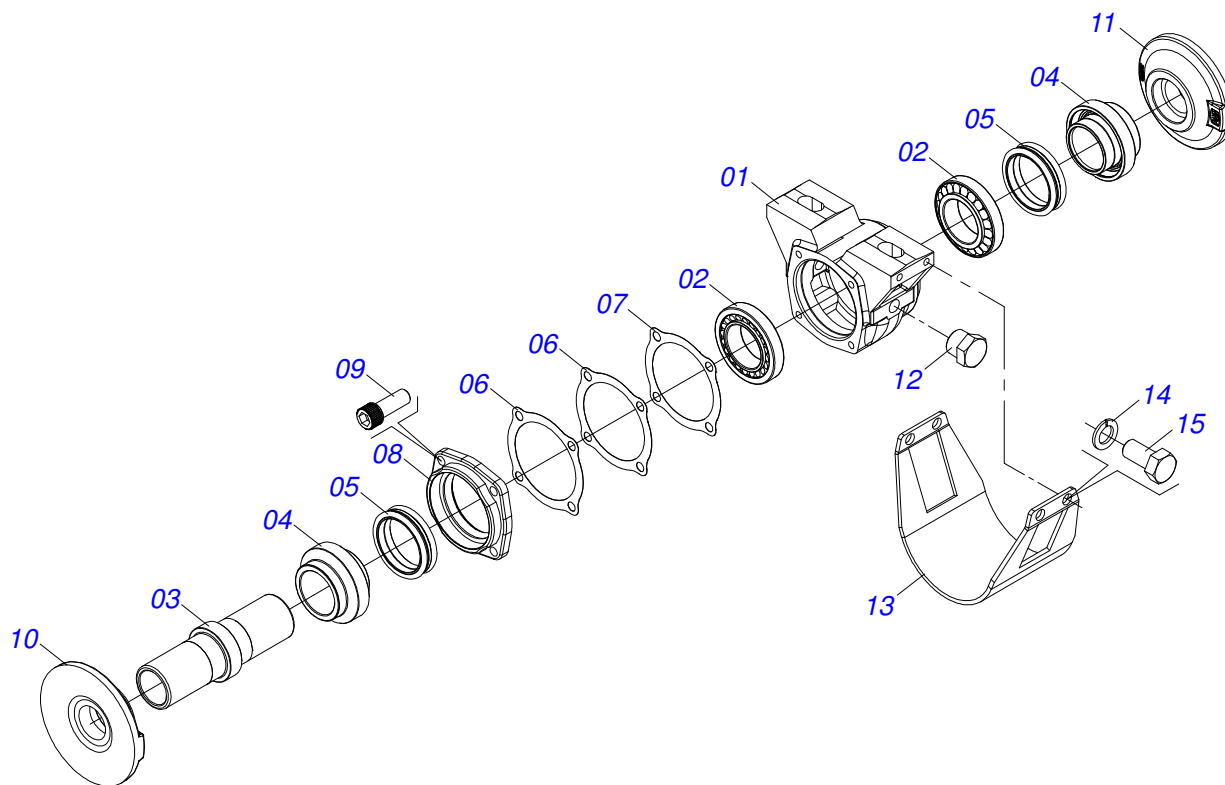
Item	Code	Description	See page	QT
01	0503011627	MALE QUICK COUPLER AGR 1/2 NPT		01
02	0503011882	MALE QUICK COUPLER CAP		01



Item	Code	Description	See page	QT
01	0521056233	3/8 X 6000 TR-TM HOSE BLACK / RED		01
01A	0501080443	3/8" X 236" TR-TM HOSE		01
01B	0503034495	HYDRAULIC HOSE GRIP (RED)		01
01C	0503034492	HYDRAULIC HOSE GRIP (BLACK)		01
01D	0503018952	PLASTIC BOLT		06
02	0521055893	3/8 X 5850 TR-TM HOSE BLACK / BLUE		01
02A	0501080421	3/8" X 230" TR-TM HOSE ASS		01
02B	0503034492	HYDRAULIC HOSE GRIP (BLACK)		01
02C	0503034494	HYDRAULIC HOSE GRIP (BLUE)		01
02D	0503018952	PLASTIC BOLT		06



Item	Code	Description	See page	QT
01	0501018592	1.5/8" NUT LOCK		08
02	0502010872	1-1/2" INNER AXLE WASHER		04
03	0502010871	1-1/2" EXTERNAL AXLE WASHER		04
04	0503011267	BOLT 5/8 UNC X 1.1/2 C S G.5 ZN		08
05	0501012140	FLAT WASHER		08
06	0503012412	5/8 UNC SELF LOCKING NUT		08
07	0502010621	8.8" 1-1/2" SPACER		14
08	0501043030	225MM X 1.1/2" RD. OIL BATH BEARING	12	08
09	0501058802	5/8 UNC X 2.3/4 BOLT ASSY		16
09A	0503015154	5/8" X 2.3/4" BOLT		01
09B	0501010947	5/8 NUT LOCK		01
09C	0501012140	FLAT WASHER		01
09D	0503010013	5/8" NUT		02
10	0581019572	FRONT CLEANER LEFT REAR (BEARING)		04
11	0581019573	FRONT CLEANER/RIGHT REAR (BERING)		04
12	0501043697	1.1/2" X 1505 AXLE ASSY		02
12A	0511012601	1.1/2" X 1505 AXLE		01
12B	0501010110	1.1/2" NUT		02
13	0501043689	1-1/2" X 1275 AXLE W/NUT		02
13A	0511012600	1-1/2" X 1275 AXLE		01
13B	0501010110	1.1/2" NUT		02
14	0602030283	24" X 6 NOTCHED DISC BLADE		26
14.	0602033252	26" X 6 NOTCHED DISC BLADE		26



Item	Code	Description	See page	QT
01	0502010717	HOUSING DM		01
02	0503014283	BEARING		02
03	0502040444	AXLE		01
04	0502010731	SEAL RETAINER		02
05	0503030026	SEAL LP JB-253		02
06	0503030013	4.4" X 3.5" X 0.004" JOINT		02
07	0503030684	4.4" X 3.5" X 0.004" JOINT		01
08	0502020424	HOUSING CAP		01
09	0503010134	3/8" X 1" BOLT		04
10	0502010694	OUTER FLANGE		01
11	0502010715	INNER FLANGE		01
12	0503010856	OIL PLUG		02
13	0511010829	BEARING GUARD		01
14	0503010025	3/8" SPRING WASHER		04
15	0503011334	BOLT 3/8 UNC X 3/4 CS G.5 ZN		04
16	3402301247	MINERAL OIL GREASE		0,11LT



www.marchesan.com.br



Technical Publications | Elaboration and Revision
ALESSANDRA PATRICIA KAWAHARA CARRILI