



MARCHESAN

# PARTS CATALOGUE

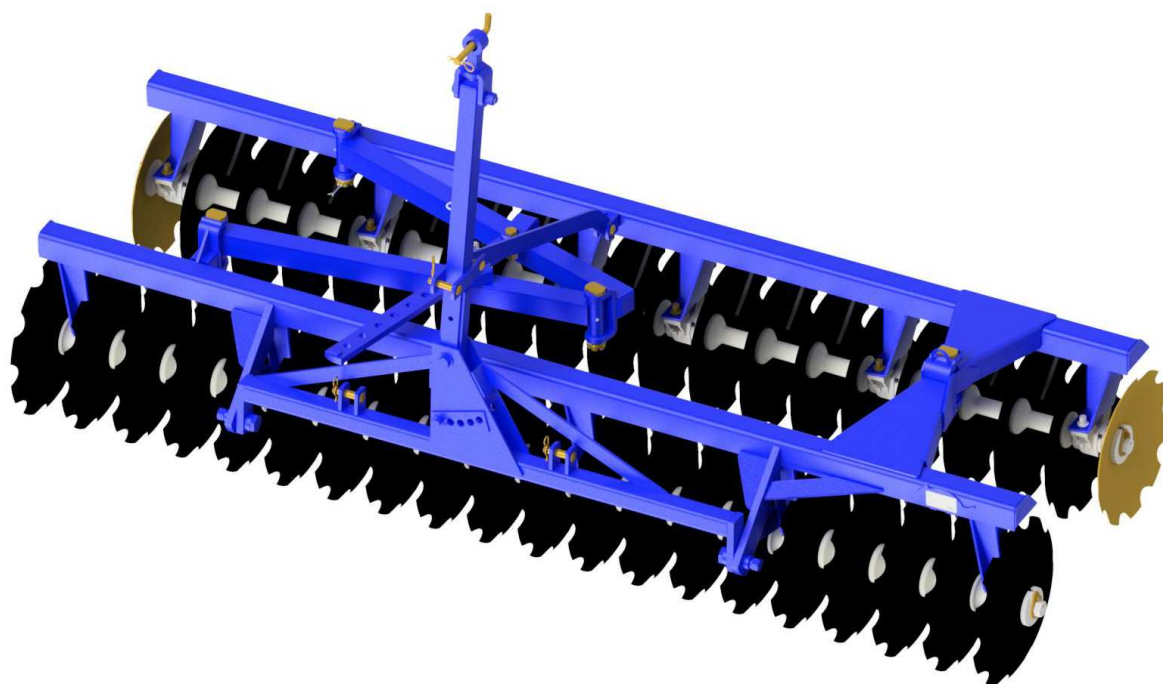
## HINGE TYPE OFFSET DISK HARROW

**Code:**

0501092906

**Product:**

GN 36D



**Series:**

S-0509

**Revision:**

00

**Date Revision:**

FEVEREIRO/2021



# PRODUCTS

Code	Description
0102110255	GN 36 X 20 X 3,50 CM DR S-0509

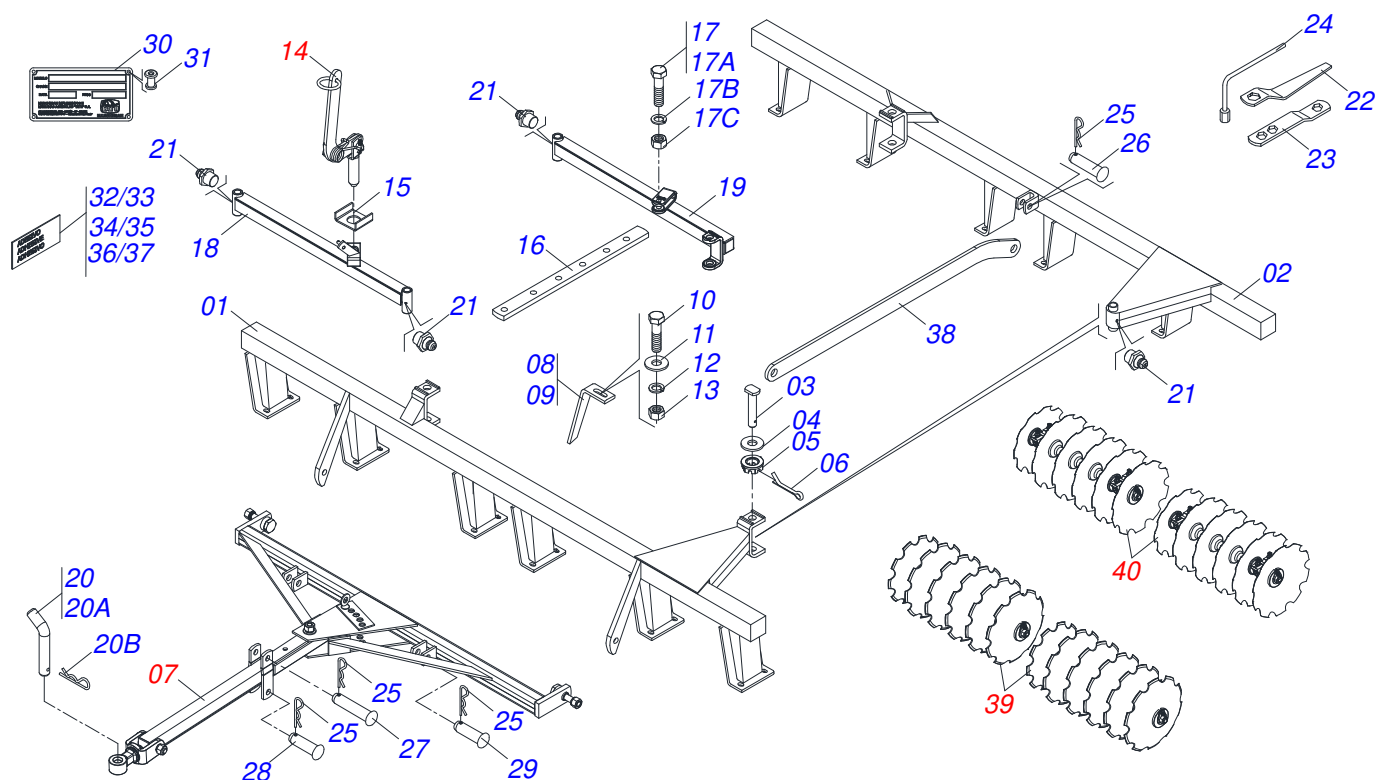
## ATTENTION: IMPORTANT

Marchesan S.A. reserves the right to improve and / or modify the technical features of its products, without obligation to do the same with those products already sold and without prior knowledge of the dealer or the consumer.



# INDEX

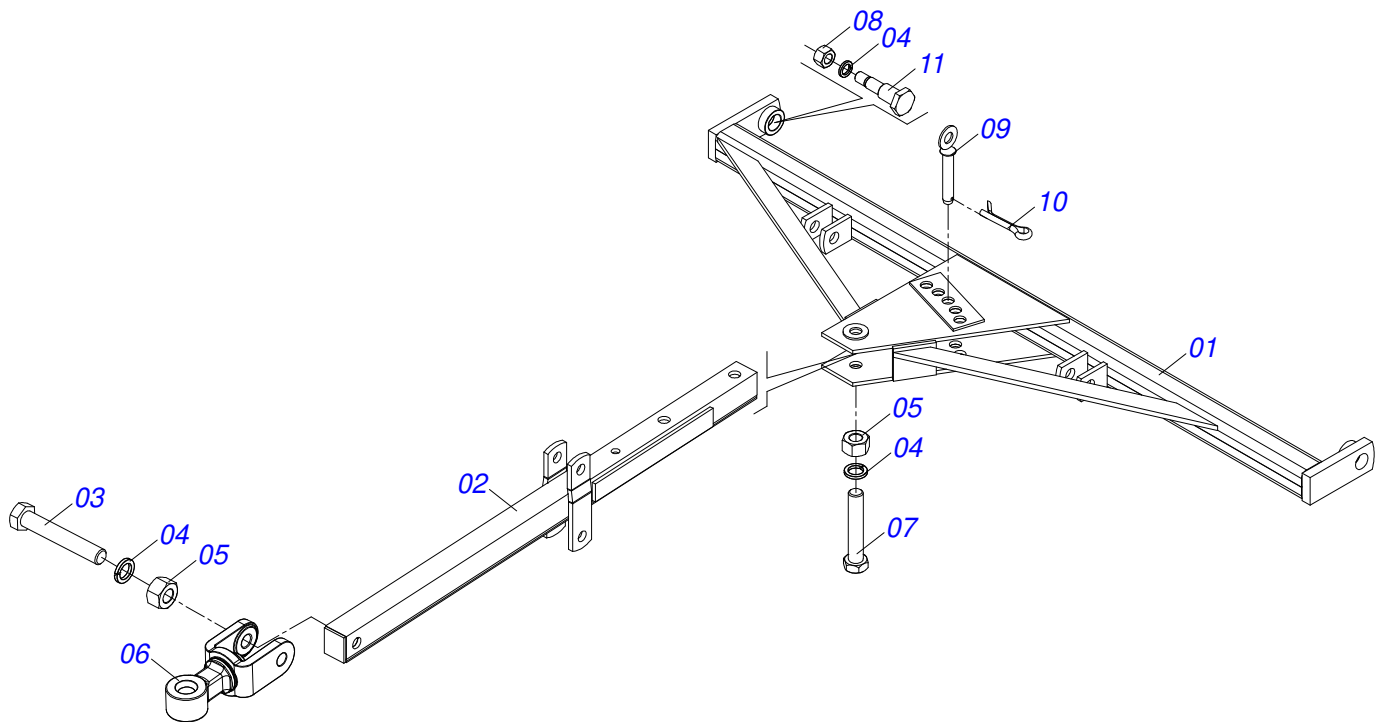
0909095587	GN 36D	.....	1
0501043081	DRAWBAR ASSY	.....	2
0501047858	ADJUSTMENT LEVER ASSY	.....	3
0909095588	FRONT DISC SECTION 36D	.....	4
0909095589	REAR DISC SECTION 36D	.....	5
0501046913	GX 7" 1-1/4" BEARING ASSY	.....	6



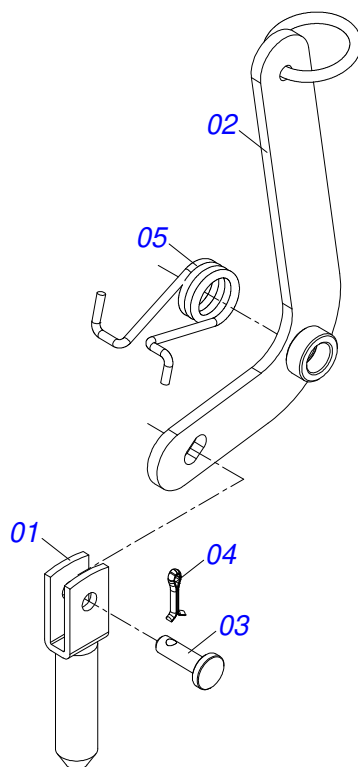
Item	Code	Description	See page	QT
01	0501064670	133.8" FRONT FRAME		01
02	0501064624	133" REAR FRAME		01
03	0531019497	1.5" X 9.2" ARTICULATED AXIS		04
04	0531019540	FLAT WASHER		04
05	0501011301	1.1/2 UNC 6FPP 2.5/16 NUT		04
06	0503010010	1/4" X 2.1/2" COTTERPIN		04
07	0501043081	DRAWBAR ASSY	2	01
08	0501063963	FRONT SCRAPER		11
09	0501063962	REAR SCRAPER		11
10	0503011082	C1/2" X 1.3/4" SCREW		44
11	0511017302	FLAT WASHER		44
12	0503010019	1/2" SPRING WASHER		44
13	0503010060	1/2" NUT		44
14	0501047858	ADJUSTMENT LEVER ASSY	3	01
15	0501011649	U 1.2" X 3.1" X 3/16" BAR		01
16	0501064197	ADJUSTMENT BAR		01
17	0501040852	1" X 4" ASSY BOLT		01
17A	0503011432	BOLT		01
17B	0503010012	1" SPRING WASHER		01
17C	0501010059	1.5/8 NUT		01
18	0501064509	FRONT STABILIZER BAR		01
19	0501064508	REAR STABILIZER BAR 1360		01
20	0501040343	DRAWBOLT ASSY		01
20A	0501010523	DRAWBOLT		01
20B	0503010571	1/4" X 1.1/2 COTTERPIN		01
21	0503010002	1800 GREASE FITTING		04
22	0501010198	1-1/4" CABLE FLAT WRENCH		02
23	0511018451	5/8" X 3/4" X 1" UNIVERSAL		01
24	0501068273	5/8" WRENCH		01
25	0503031035	HAIR PIN		05
26	0521010573	0.9" X 3.1" COUPLING SHAFT		01



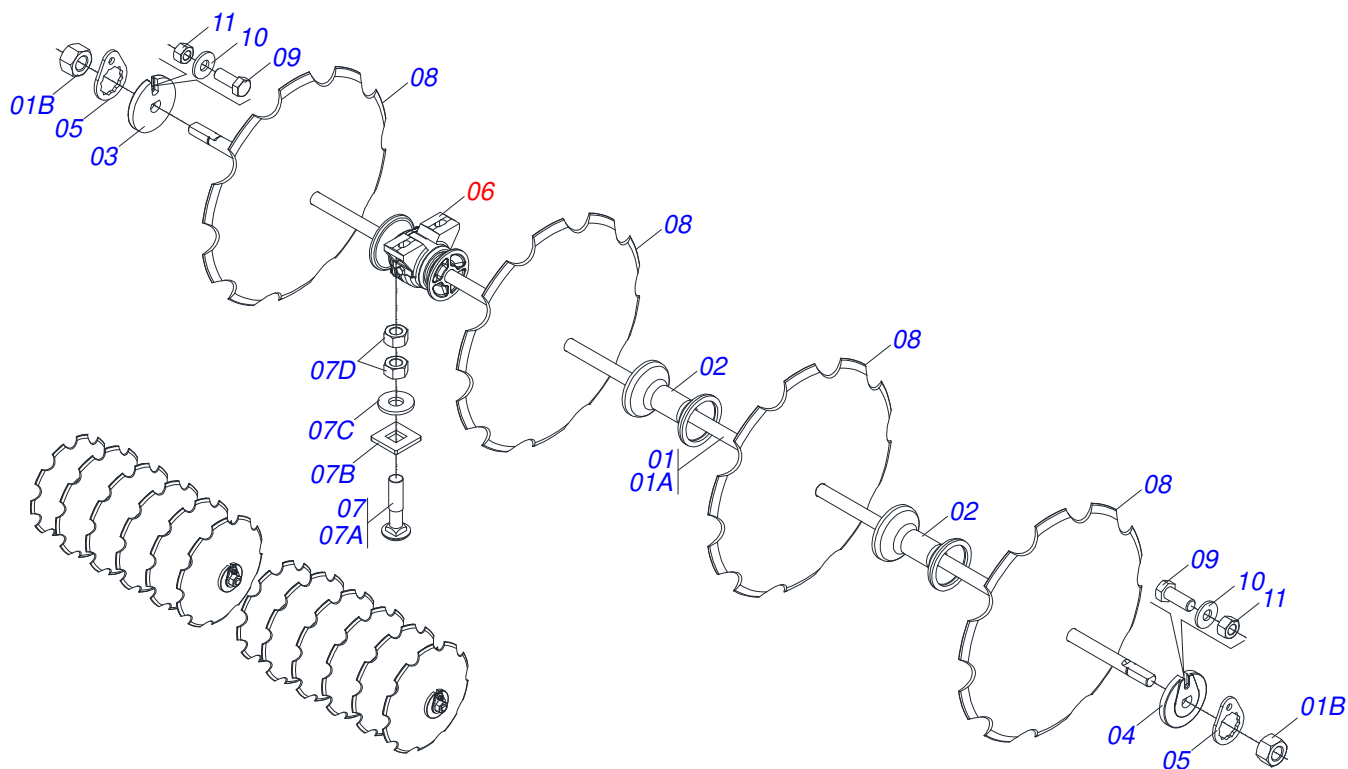
Item	Code	Description	See page	QT
27	0521010578	COUPLING SHAFT		01
28	0521010579	COUPLING SHAFT		01
29	0521010595	1.1" X 4.3" COUPLING SHAFT		02
30	0503034003	SERIAL NUMBER TAG 61 X 118		01
31	0503010001	3.2 X 5.5 RIVET		04
32	0503034021	LABEL ADHESIVE GN		02
33	0503035341	ADHESIVE LABEL		01
34	0503031428	READ MANUAL DECAL		01
35	0503034022	ADHESIVE LABEL LOGO TATU 60X80		01
36	0503031087	ADHESIVE LABEL		01
37	0503031827	LUBRICATE AND RETIGHTEN DAILY DECAL		01
38	0501018945	45" ATTACHMENT BAR		01
39	0909095588	FRONT DISC SECTION 36D	4	01
40	0909095589	REAR DISC SECTION 36D	5	01



Item	Code	Description	See page	QT
01	0501064919	OFFSET BAR FOR TRANSP HYDRAULIC		01
02	0501064878	DRAWBAR ASSY		01
03	0501010372	1" X 5-1/2" BOLT		01
04	0503011438	SPRING WASHER		04
05	0501010059	1.5/8 NUT		02
06	0521062444	TRACTOR HITCH		01
07	0501010191	1" X 6" BOLT		01
08	0503010340	1" NUT		02
09	0501068993	0.9" X 5.5" COUPLING SHAFT		01
10	0503010571	1/4" X 1.1/2 COTTERPIN		01
11	0501018191	BARRANG BOLT		02

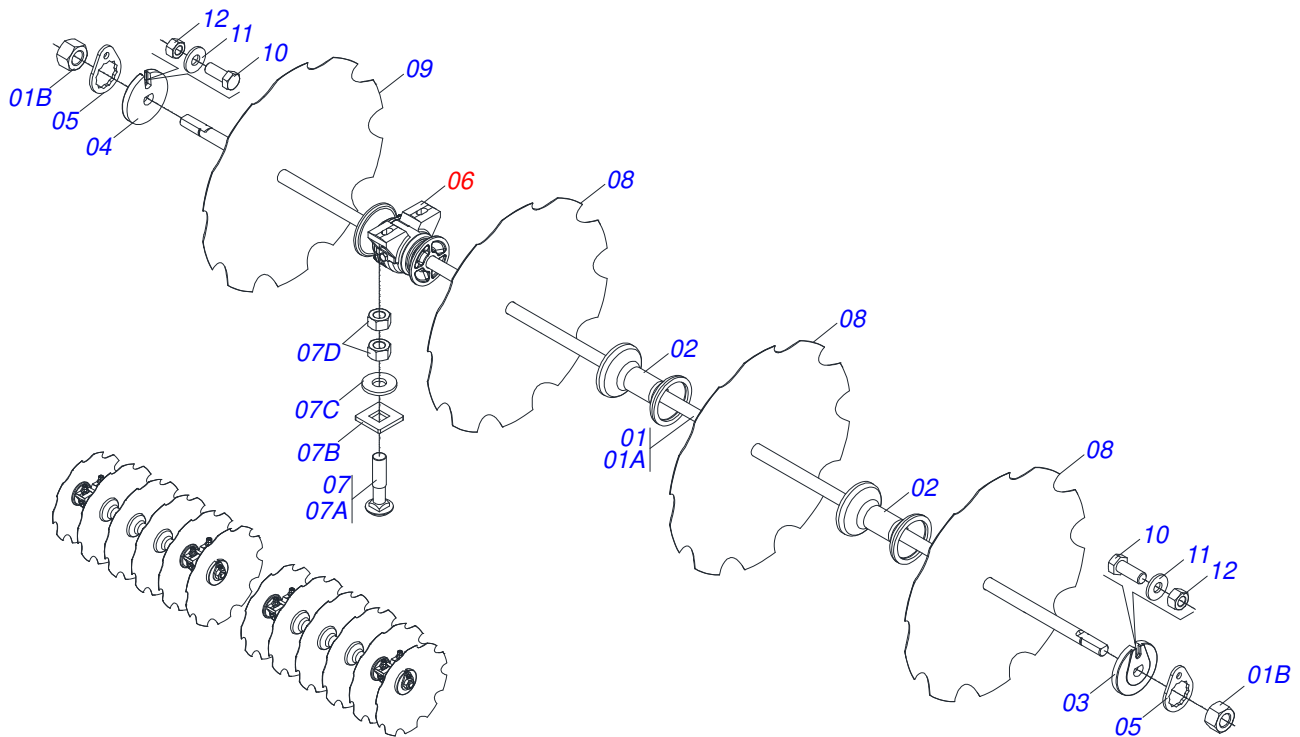


Item	Code	Description	See page	QT
01	0501060185	ADJUSTMENT LOCK		01
02	0501068981	ADJUSTMENT LEVER		01
03	0521010624	0.4" X 1.5" COUPLING SHAFT		01
04	0503010071	3/16" X 1" COTTERPIN		01
05	0503030025	1.4" X 0.2" TORSION SPRING		01

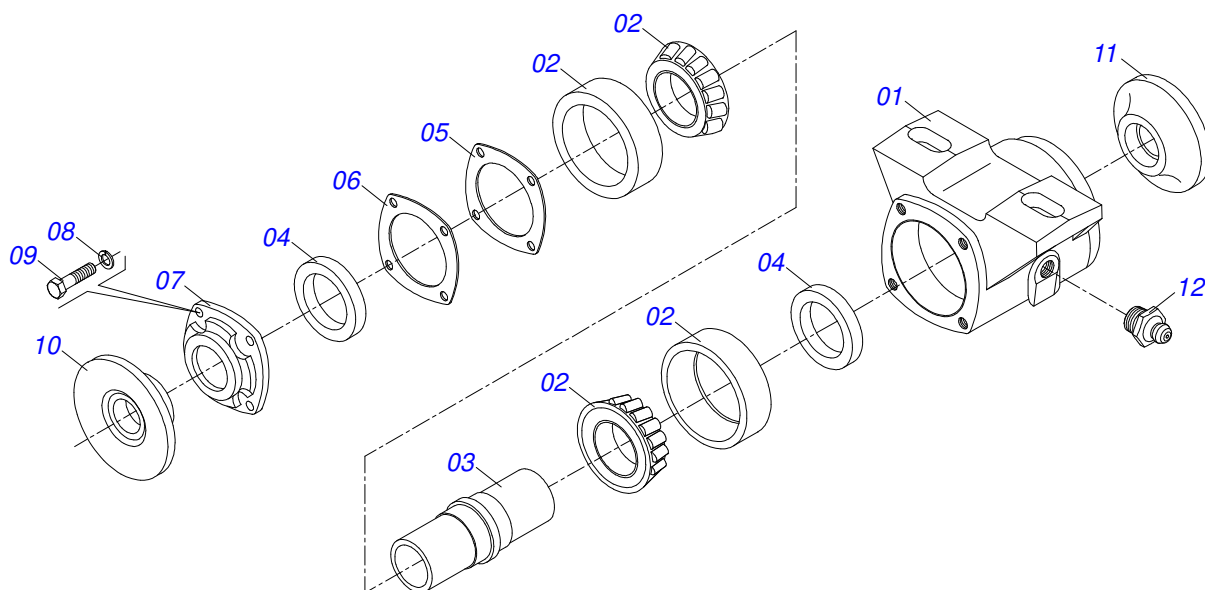


Item	Code	Description	See page	QT
01	0501040694	1-1/4" X 66" AXLE WITH NUTS		02
01A	0501010439	1-1/4" X 66" AXLE		01
01B	0501010087	1.1/4" NUT		02
02	0502010549	7.6" X 1-1/4" SPACER		10
03	0502010834	1-1/4" INNER AXLE WASHER		02
04	0502010835	1-1/4" EXTERNAL AXLE WASHER		02
05	0501010455	1.1/4" NUT LOCK		04
06	0501046913	GX 7" 1-1/4" BEARING ASSY	6	06
07	0501058802	5/8 UNC X 2.3/4 BOLT ASSY		12
07A	0503015154	5/8" X 2.3/4" BOLT		12
07B	0501010947	5/8 NUT LOCK		12
07C	0501012140	FLAT WASHER		12
07D	0503010013	5/8" NUT		24
08	0602027340	20" X 3,5 NOTCHED DISC BLADE		18
09	0503010395	1/2" X 1-1/4" BOLT		04
10	0503010019	1/2" SPRING WASHER		04
11	0503010060	1/2" NUT		04





Item	Code	Description	See page	QT
01	0501040694	1-1/4" X 66" AXLE WITH NUTS		02
01A	0501010439	1-1/4" X 66" AXLE		01
01B	0501010087	1.1/4" NUT		02
02	0502010549	7.6" X 1-1/4" SPACER		10
03	0502010834	1-1/4" INNER AXLE WASHER		02
04	0502010835	1-1/4" EXTERNAL AXLE WASHER		02
05	0501010455	1.1/4" NUT LOCK		04
06	0501046913	GX 7" 1-1/4" BEARING ASSY	6	06
07	0501058802	5/8 UNC X 2.3/4 BOLT ASSY		12
07A	0503015154	5/8" X 2.3/4" BOLT		12
07B	0501010947	5/8 NUT LOCK		12
07C	0501012140	FLAT WASHER		12
07D	0503010013	5/8" NUT		24
08	0602027340	20" X 3,5 NOTCHED DISC BLADE		16
09	0602025261	DR18X3,5 C45AF02FR1.5/16 9REC TATU		02
10	0503010395	1/2" X 1-1/4" BOLT		04
11	0503010019	1/2" SPRING WASHER		04
12	0503010060	1/2" NUT		04



Item	Code	Description	See page	QT
01	0502020313	HOUSING CM		01
02	0503010111	30210 ROLLER BEARING		02
03	0502040218	AXLE		01
04	0503010468	SEAL 01199-GB		02
05	0503030013	4.4" X 3.5" X 0.004" JOINT		02
06	0503030684	4.4" X 3.5" X 0.004" JOINT		01
07	0502020273	HOUSING CAP CM		01
08	0503011443	3/8" SPRING WASHER		04
09	0503810237	3/8 UNC X 1 C S G.5 SA BOLT		04
10	0502010070	OUTER FLANGE		01
11	0502010071	INNER FLANGE		01
12	0503010002	1800 GREASE FITTING		01





[www.marchesan.com.br](http://www.marchesan.com.br)



**Technical Publications | Elaboration and Revision**  
LORENA ROCHA ALVES