

**AUXILIARY PRODUCTS**

## **PTL 2300**

**Code:** 0501092890  
**Series:** S-0516  
**Revision:** 00  
**Date Revision:** JUNHO/2021

# **PARTS CATALOGUE**



**MARCHESAN**



# PRODUCTS

<b>Code</b>	<b>Description</b>
0106060057C	PTL 2300 EXP S-0516
0106060057	PTL 2300 S-0516
0106060058	PTL 2300 C/R S-0516
0106060058C	PTL 2300 C/R EXP S-0516

## **ATTENTION: IMPORTANT**

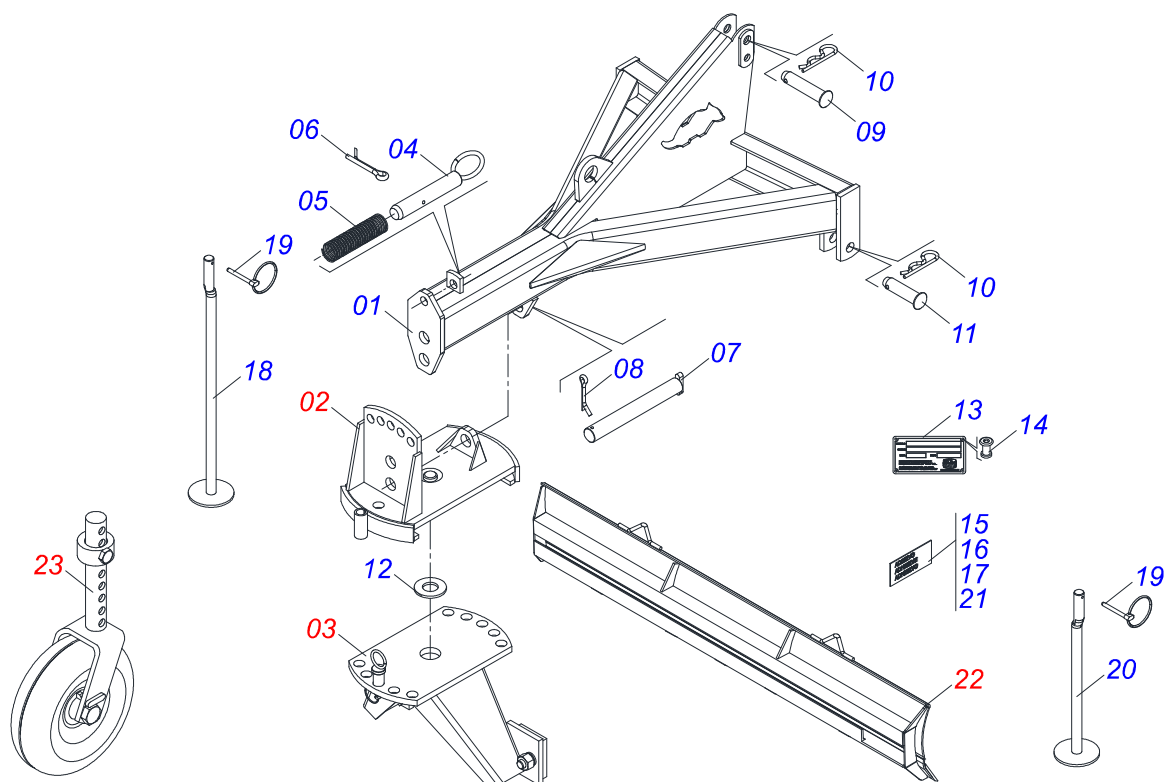
Marchesan S.A. reserves the right to improve and / or modify the technical features of its products, without obligation to do the same with those products already sold and without prior knowledge of the dealer or the consumer.



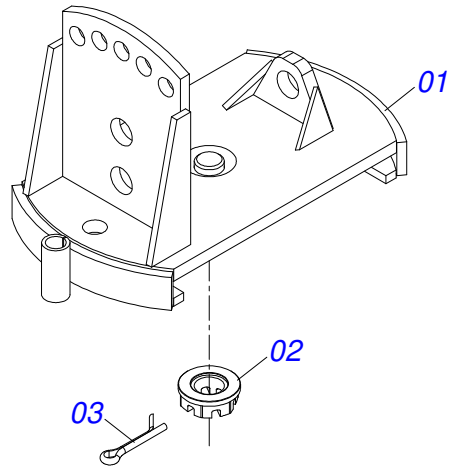
**MARCHESAN**

# INDEX

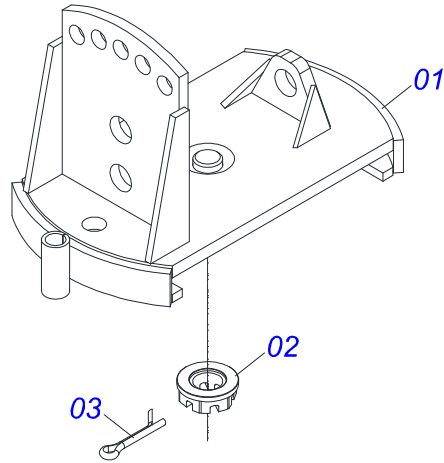
0909095531	ASSY FRAME	.....	1
0521050947	ASSY REGULATORY BASE	.....	2
0521050948	REGULATOR BASE WITH BUSHING	.....	3
0521050950	ASSEMBLY SUPPORT DOOR COMPLETE SCRAPER	.....	4
0501047773	230 BLADE SUPPORT	.....	5
0511047879	WHEEL FORK ASSY	.....	6



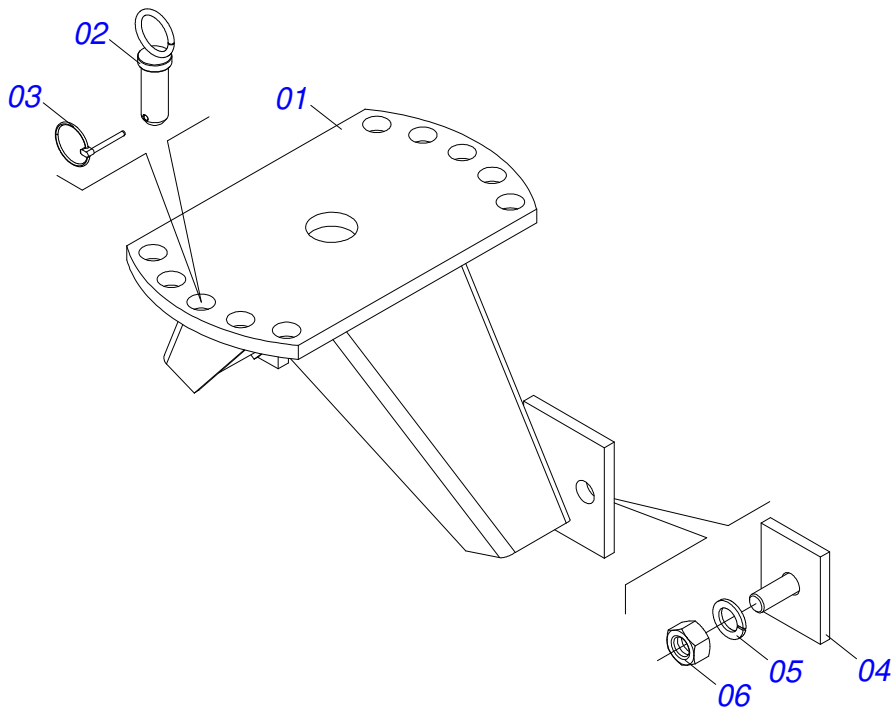
Item	Code	Description	See page	QT
01	0511066746	FRAME		01
02	0521050947	ASSY REGULATORY BASE	2	01
02.	0521050948	REGULATOR BASE WITH BUSHING	3	01
03	0521050950	ASSEMBLY SUPPORT DOOR COMPLETE	4	01
04	0501068990	COUPLING SHAFT		01
05	0503030517	1.27" X 4.72"X 0.9" SPRING		01
06	0503010018	5/32 X 1-1/2 COTTERPIN		01
07	0501862976	PIVOT SHAFT		01
08	0503010010	1/4" X 2.1/2" COTTERPIN		01
09	0521010579	COUPLING SHAFT		01
10	0503031035	HAIR PIN		03
11	0521010595	1.1" X 4.3" COUPLING SHAFT		02
12	0501810287	FLAT WASHER		01
13	0503034003	SERIAL NUMBER TAG 61 X 118		01
14	0503010001	3.2 X 5.5 RIVET		04
15	0503060911	PTL ADHESIVE LABEL ASSY		01
16	0503031087	ADHESIVE LABEL		01
17	0503034078	LIFTING POINTS DECAL		03
18	0501062412	PLOUGH SUPPORT 725		01
19	0503030085	LOCK PIN		02
20	0511066743	PLOUGH SUPPORT		01
21	0503031852	ADHESIVE LABEL		01
22	0501047773	230 BLADE SUPPORT	5	01
23	0511047879	WHEEL FORK ASSY	6	01



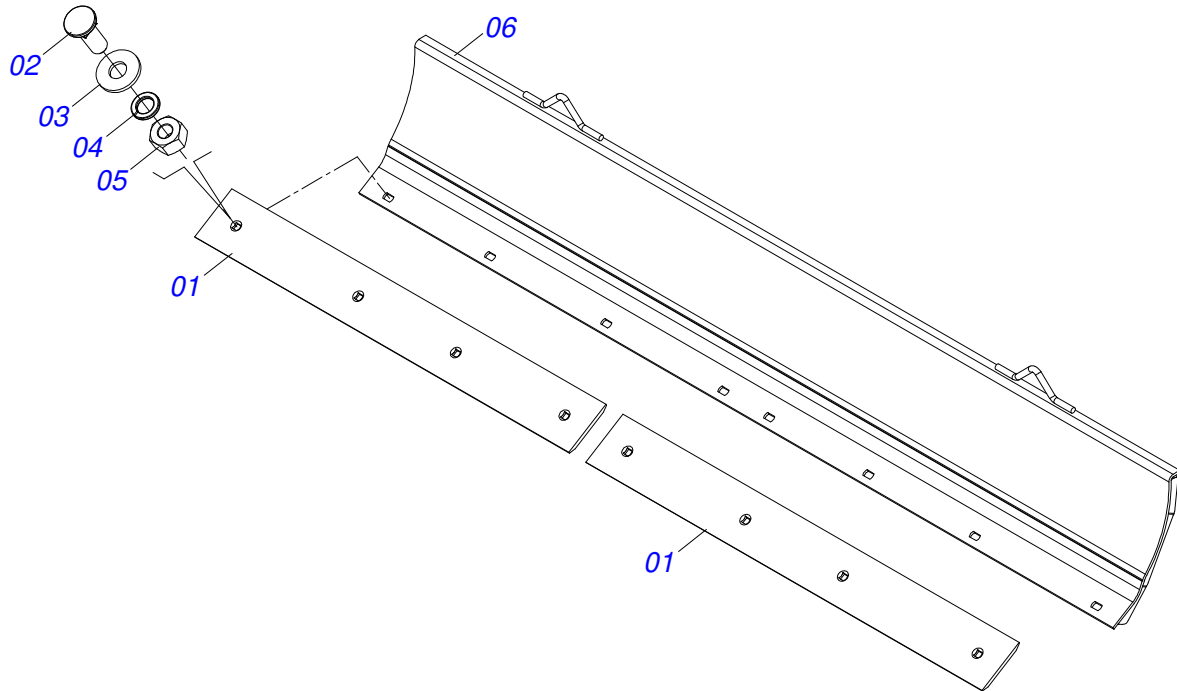
Item	Code	Description	See page	QT
01	0511066744	REGULATOR BASE		01
02	0501011301	1.1/2 UNC 6FPP 2.5/16 NUT		01
03	0503010010	1/4" X 2.1/2" COTTERPIN		01



Item	Code	Description	See page	QT
01	0501067548	REGULATOR BASE W/BUSHING		01
02	0501011301	1.1/2 UNC 6FPP 2.5/16 NUT		01
03	0503010010	1/4" X 2.1/2" COTTERPIN		01

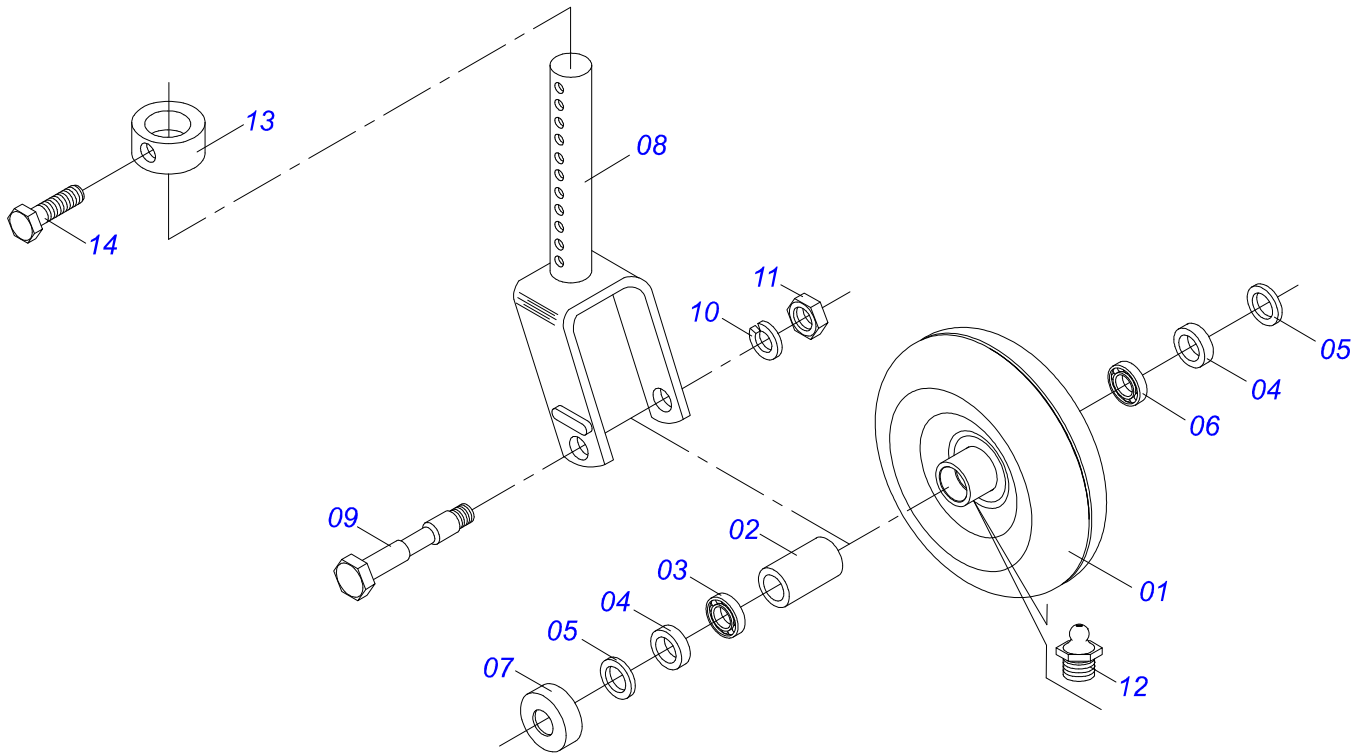


Item	Code	Description	See page	QT
01	0501061016	SUPPORT		01
02	0501069239	COUPLING SHAFT		01
03	0503030119	LOCK PIN		01
04	0501061017	ADJUSTMENT LOCKNUT		02
05	0503010012	1" SPRING WASHER		02
06	0501010059	1.5/8 NUT		02



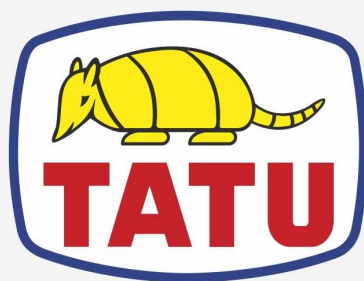
Item	Code	Description	See page	QT
01	0521010199	SCRAPER 1150		02
02	0503012956	1/2" X 1-1/2" BOLT		08
03	0511017302	FLAT WASHER		08
04	0503011440	SPRING WASHER		08
05	0503012682	1/2" BSW NUT		08
06	0501068819	90.95" BLADE SUPPORT		01





Item	Code	Description	See page	QT
01	0501063309	13.8" X 4.33" WHEEL ASSY	01	01
02	0521010460	0.9" X 1.1" X 2.9" SLEEVE	01	01
03	0503010269	6204 BALL BEARING	01	01
04	0521010487	SPACER WASHER	02	02
05	0503010268	00262-B SEAL	02	02
06	0503010269	6204 BALL BEARING	01	01
07	0511014254	DUST CLOAK	02	02
08	0501066590	WHEEL FORK	01	01
09	0501017143	WHEEL AXLE	01	01
10	0503011442	3/4" SPRING WASHER	01	01
11	0503010014	3/4" NUT	01	01
12	0503010002	1800 GREASE FITTING	02	02
13	0502040462	45,4 SLEEVE	02	02
14	0501018535	1/2 X 1 BOLT	02	02





**MARCHESAN**

**Technical Publications | Elaboration and Revision**

ALESSANDRA PATRICIA KAWAHARA CARRILI

[www.marchesan.com.br](http://www.marchesan.com.br)

