

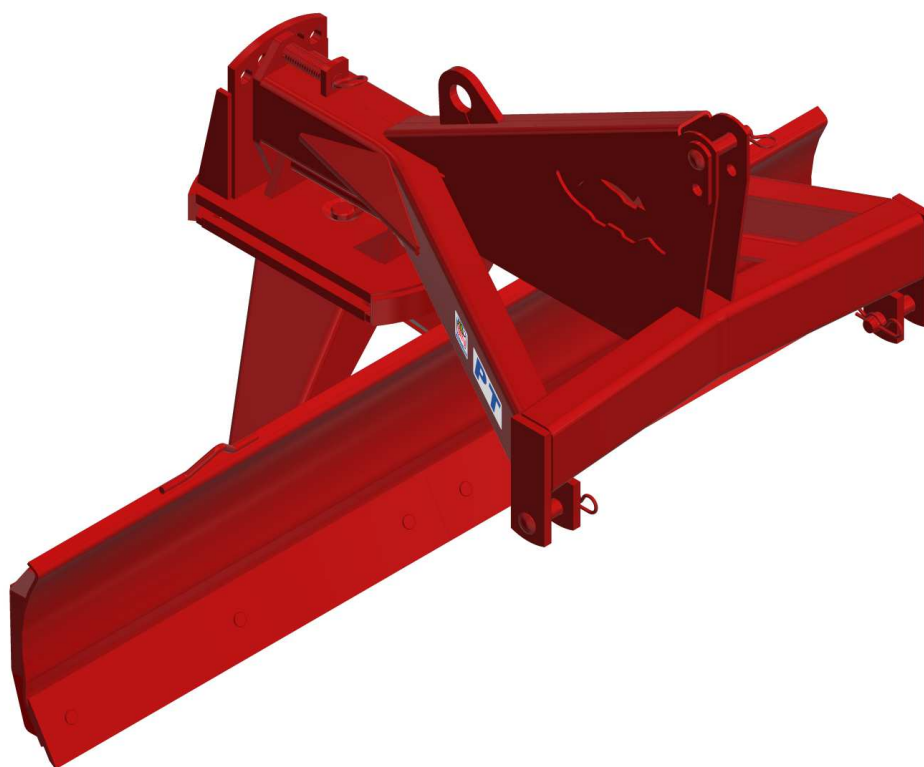
AUXILIARY PRODUCTS

Code:

0501092889

Product:

PT 1500/1800



Series:

S-0516

Revision:

00

Date Revision:

DEZEMBRO/2020



PRODUCTS

Code	Description
0106060051C	PT 1500 EXP S-0516
0106060051	PT 1500 S-0516
0106060052C	PT 1800 EXP S-0516
0106060052	PT 1800 S-0516

ATTENTION: IMPORTANT

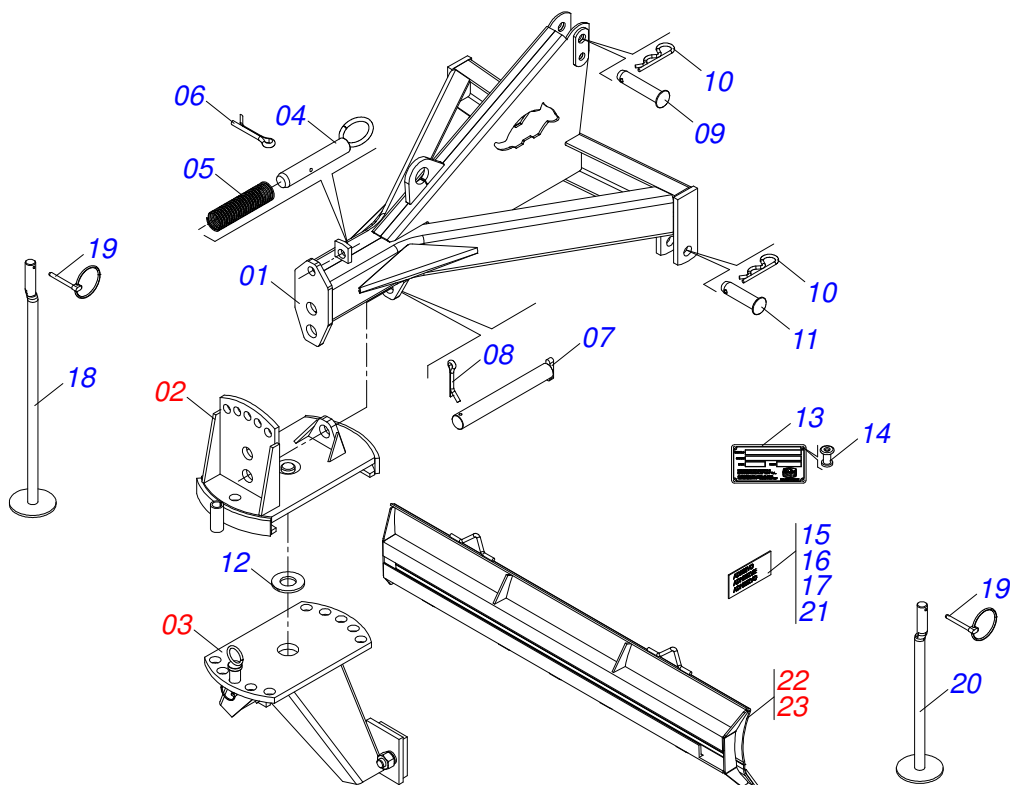
Marchesan S.A. reserves the right to improve and / or modify the technical features of its products, without obligation to do the same with those products already sold and without prior knowledge of the dealer or the consumer.



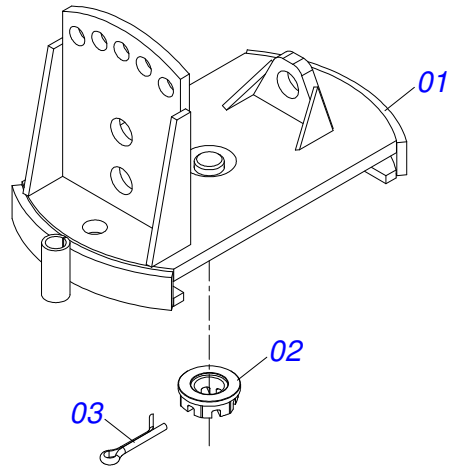
MARCHESAN

INDEX

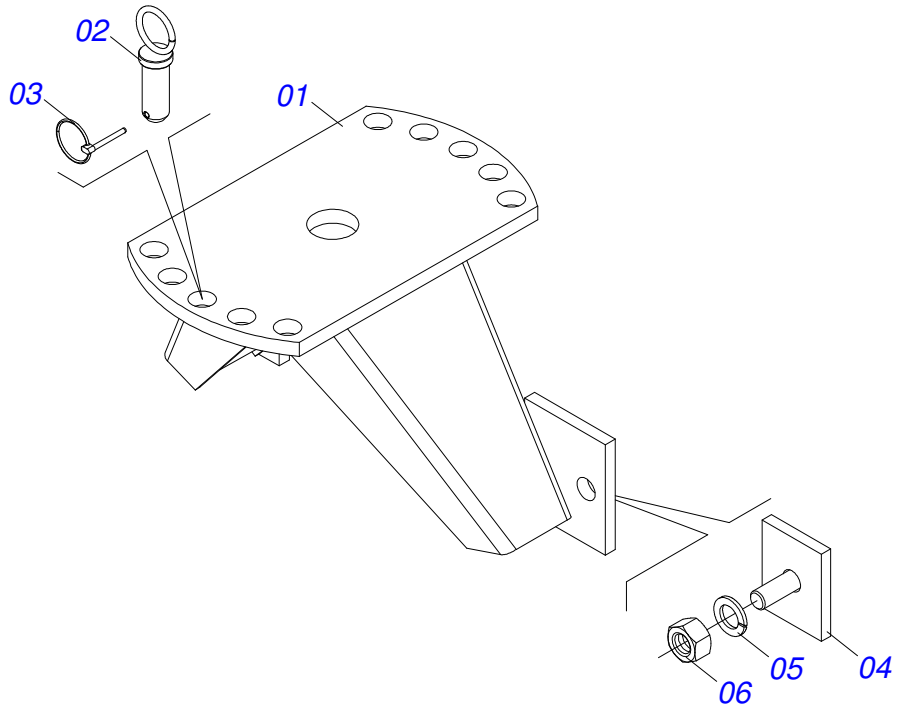
0909095530	ASSY FRAME	1
0521050947	ASSY REGULATORY BASE	2
0521050950	ASSEMBLY SUPPORT DOOR COMPLETE SCRAPER	3
0511043958	1500MM BLADE SUPPORT	4
0501047772	1800 MM BLADE SUPPORT	5



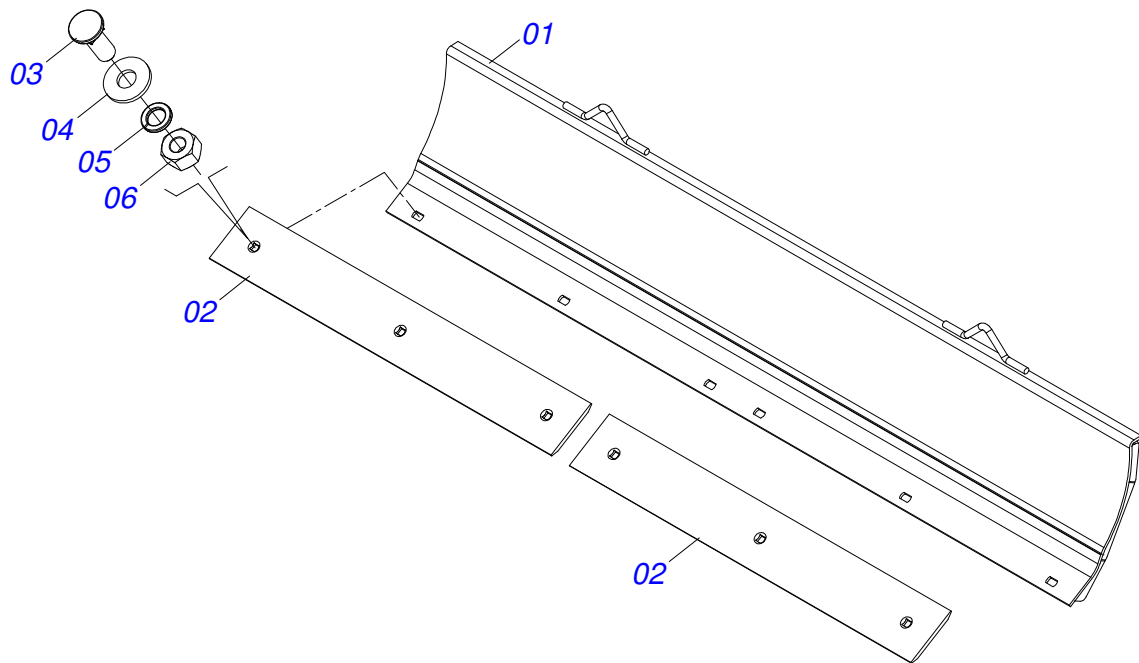
Item	Code	Description	See page	1500	1800
00	0521046555	ASSY FRAME		01	01
01	0511066745	FRAME		01	01
02	0521050947	ASSY REGULATORY BASE	2	01	01
03	0521050950	ASSEMBLY SUPPORT DOOR COMPLETE SCRAPER	3	01	01
04	0501068990	COUPLING SHAFT		01	01
05	0503030517	1.27" X 4.72"X 0.9" SPRING		01	01
06	0503010018	5/32 X 1-1/2 COTTERPIN		01	01
07	0501062976	PIVOT SHAFT		01	01
08	0503010010	1/4" X 2.1/2" COTTERPIN		01	01
09	0521010579	COUPLING SHAFT		01	01
10	0503031035	HAIR PIN		03	03
11	0521010595	1.1" X 4.3" COUPLING SHAFT		02	02
12	0501010287	FLAT WASHER		01	01
13	0503034003	SERIAL NUMBER TAG 61 X 118		01	01
14	0503010001	3.2 X 5.5 RIVET		04	04
15	0503060910	ADHESIVE LABEL ASSY		01	01
16	0503031087	ADHESIVE LABEL		01	01
17	0503034078	LIFTING POINTS DECAL		03	03
18	0501062412	PLOUGH SUPPORT 725		01	01
19	0503030085	LOCK PIN		02	02
20	0511066743	PLOUGH SUPPORT		01	01
21	0503031852	ADHESIVE LABEL		01	01
22	0511043958	1500MM BLADE SUPPORT	4	01	00
23	0501047772	1800 MM BLADE SUPPORT	5	00	01



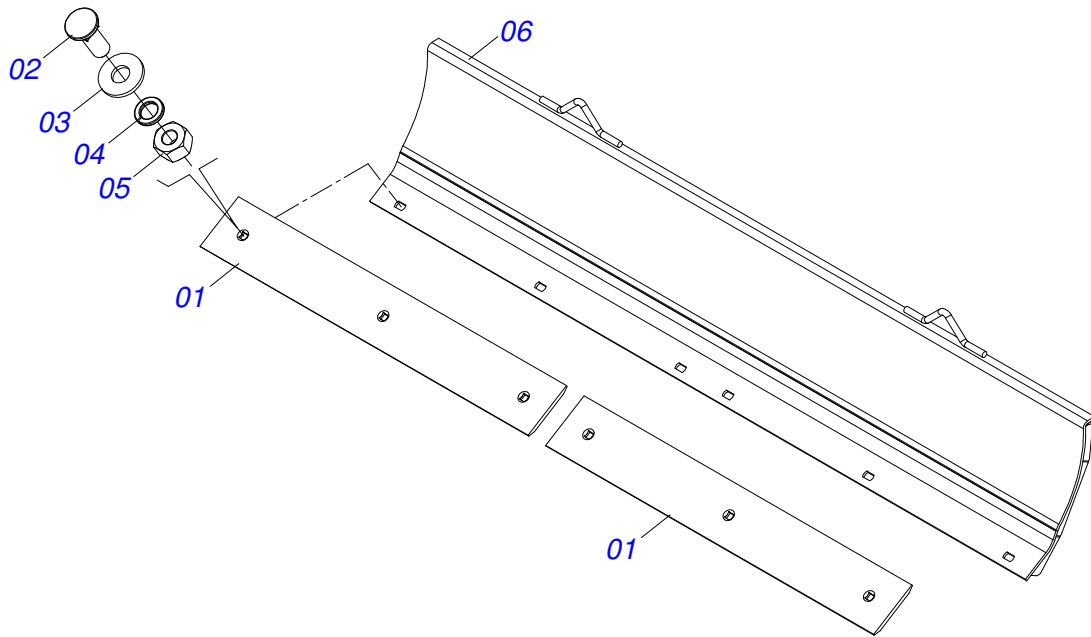
Item	Code	Description	See page	QT
01	0511066744	REGULATOR BASE		01
02	0501011301	1.1/2 UNC 6FPP 2.5/16 NUT		01
03	0503010010	1/4" X 2.1/2" COTTERPIN		01



Item	Code	Description	See page	QT
01	0501061016	SUPPORT		01
02	0501069239	COUPLING SHAFT		01
03	0503030119	LOCK PIN		01
04	0501061017	ADJUSTMENT LOCKNUT		02
05	0503010012	1" SPRING WASHER		02
06	0501010059	1.5/8 NUT		02



Item	Code	Description	See page	QT
01	0511066754	SCRAPER DOOR 1500		01
02	0541017527	SCRAPER 1500		02
03	0503012956	1/2" X 1-1/2" BOLT		06
04	0511017302	FLAT WASHER		06
05	0503011440	SPRING WASHER		06
06	0503012682	1/2" BSW NUT		06



Item	Code	Description	See page	QT
01	0521010198	SCRAPER 900 PT S-0997		02
02	0503012956	1/2" X 1-1/2" BOLT		06
03	0511017302	FLAT WASHER		06
04	0503011440	SPRING WASHER		06
05	0503012682	1/2" BSW NUT		06
06	0501068676	70.87" BLADE SUPPORT		01



www.marchesan.com.br



Technical Publications | Elaboration and Revision
ALESSANDRA PATRICIA KAWAHARA CARRILI