

PARTS CATALOGUE



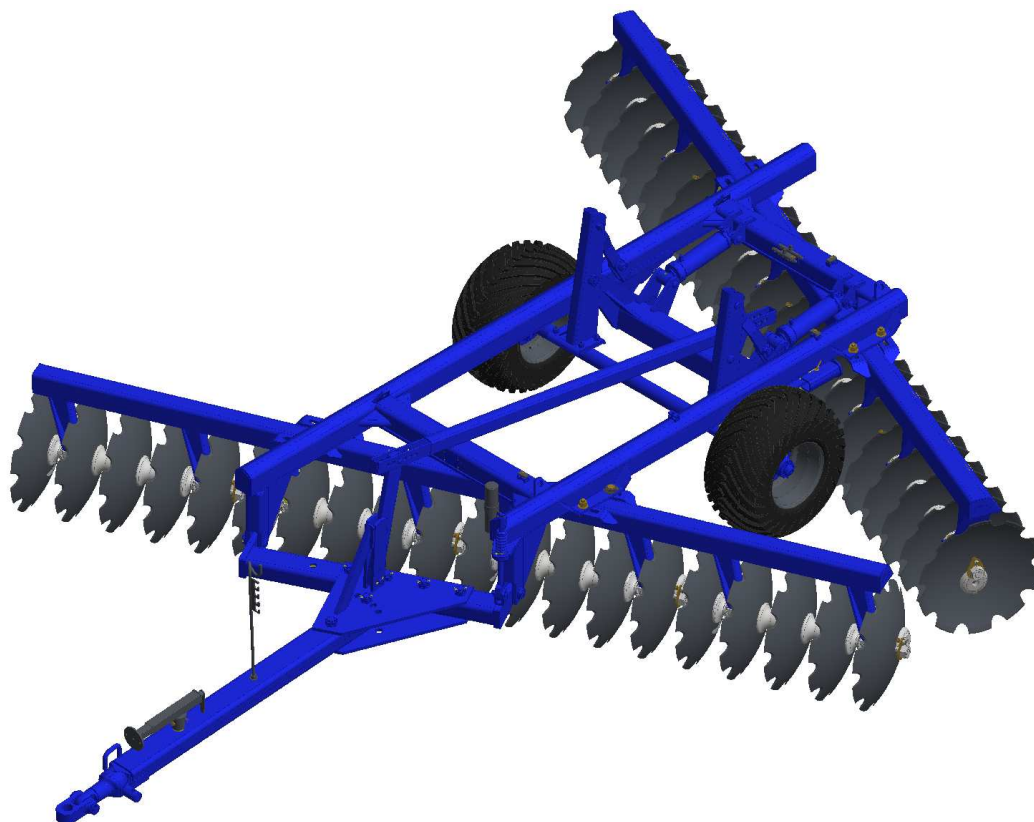
OFFSET DISK HARROW

Code:

0501092885

Product:

GAICR 30/32/40D - AXIS 1.3/4" - PN400/60



Series:

S-0412

Revision:

00

Date Revision:

JANEIRO/2021



PRODUCTS

Code	Description
0102260418C	GAICR 30X28X7,5 DMDR PN400/60 C/P E1.3/4 EXP S0412
0102260418	GAICR 30X28X7,5 DMDR PN400/60 C/P EIXO 1.3/4 S-12
0102260682C	GAICR 32X28X7,5 DMDR PN400/60 C/P E1.3/4 EXP S0412
0102260682	GAICR 32X28X7,5 DMDR PN400/60 C/P EIXO 1.3/4 S-12
0102260681	GAICR 40X28X7,5 DM DR PN400/60 EX1.3/4 S-0412

ATTENTION: IMPORTANT

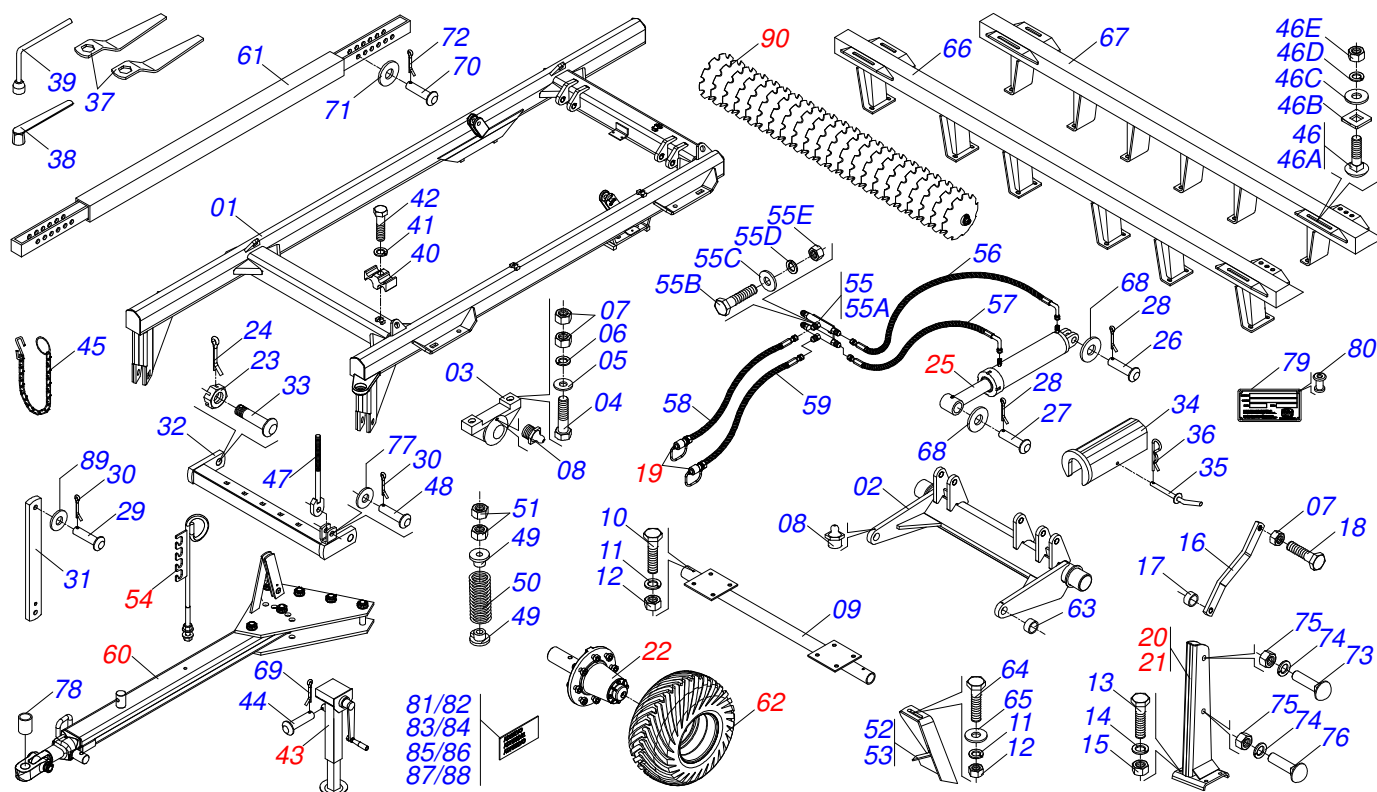
Marchesan S.A. reserves the right to improve and / or modify the technical features of its products, without obligation to do the same with those products already sold and without prior knowledge of the dealer or the consumer.



INDEX

0909095562	FRAME ASSY	1
0501053834	MALE QUICK COUPLER WITH CAP - 1/2 NPT	2
0501051885	CARRYING-WHEELS	3
0511059181	HYDRAULIC CYLINDER 50,80X101,60X515X248	4
0511048088	DRAWBAR JACK	5
0501040257	3/4 X 1200 HOSE HOLDER A	6
0501046307	DRAWBAR ASSY	7
0511041570	DRAWBAR ASSY 3"	8
0503060102	WHEEL AND TIRE	9
0909095564	DISC GANG SECTION	10
0501043008	262 1.3/4 OIL BATH BEARING	11

FRAME ASSY



Item	Code	Description	See page	30	32	40
01	0501067290	CENTER FRAME		01	01	01
02	0501067244	WHEELS		01	01	01
03	0502010972	ARTICULACION BEARING		02	02	02
04	0503011432	BOLT		04	04	04
05	0501010065	1" SPRING WASHER		04	04	04
06	0503011438	SPRING WASHER		04	04	04
07	0501010059	1.5/8 NUT		04	04	04
08	0503010002	1800 GREASE FITTING		04	04	04
09	0511069623	WHEEL SISTEM FIXER		01	01	01
10	0503010706	SCREW 1/2 UNC X 4.1/2 C S G.5 ZN		02	02	02
11	0503010019	1/2" SPRING WASHER		02	02	02
12	0503010060	1/2" NUT		02	02	02
13	0501010125	3/4" X 2-1/2" BOLT		08	08	08
14	0503011442	3/4" SPRING WASHER		08	08	08
15	0503010014	3/4" NUT		08	08	08
16	0501110404	SUPPORT BAR		02	02	02
17	0511019921	1.3" X 0.1" X 1" SLEEVE		04	04	04
18	0503011432	BOLT		02	02	02
19	0501053834	MALE QUICK COUPLER WITH CAP - 1/2 NPT	2	02	02	02
20	0501068260	RIGHT SUSPENSION TOWER		01	01	01
21	0501068261	LEFT SUSPENSION TOWER		01	01	01
22	0501051885	CARRYING-WHEELS	3	02	02	02
23	0501011301	1.1/2 UNC 6FPP 2.5/16 NUT		04	04	04
24	0503010010	1/4" X 2.1/2" COTTERPIN		04	04	04
25	0511059181	HYDRAULIC CYLINDER 50,80X101,60X515X248	4	02	02	02
26	0511810174	COUPLING SHAFT		02	02	02
27	0521010547	1.2" X 6.5" COUPLING SHAFT		02	02	02
28	0503010523	1/4" X 2" COTTERPIN		02	02	02
29	0521010576	0.9" X 3.7" COUPLING SHAFT		01	01	01
30	0503010571	1/4" X 1.1/2 COTTERPIN		02	02	02
31	0511013526	STABILIZER BAR TOWER		01	01	01



FRAME ASSY

0909095562

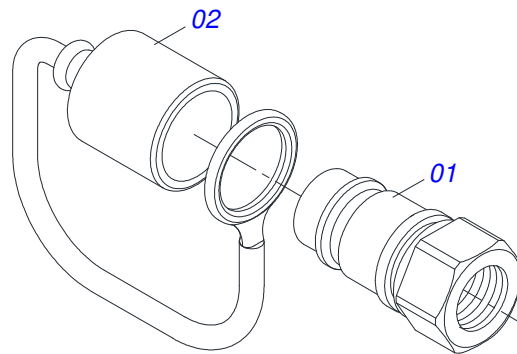
Item	Code	Description	See page	30	32	40
32	0501067241	OFFSET BAR		01	01	01
33	0521017538	11-1/2" X 5" COUPLING SHAFT		02	02	02
34	0501066386	TRANSPORT LOCK 9.54"		02	02	02
35	0501068994	0.3" X 3.1" LOCK PIN		01	01	01
36	0503030168	HAIR PIN		01	01	01
37	0501011431	1-3/4" GANG BOLT WRENCH		02	02	02
38	0501061617	1" GANG BOLT WRENCH		01	01	01
39	0503016140	3/4" WRENCH CABLE CYLINDRICAL		01	01	01
40	0502012702	BODY SUPPORT CLAMP		04	04	04
41	0503010180	7/16" SPRING WASHER		04	04	04
42	0503012555	SCREW 7/16 UNC X 2 CS RT G.7 ZN		04	04	04
43	0511048088	DRAWBAR JACK	5	01	01	01
44	0561014251	COUPLING SHAFT		01	01	01
45	0503013150	1300 X 3/8 CHAIN		01	01	00
46	0501040877	C1" X 3-1/4" ASSY BOLT		08	08	08
46A	0501010171	PARAFUSO 1 UNC X 3.1/2 C S G.5		01	01	01
46B	0502012861	1" SQUARE WASHER		01	01	01
46C	0501010065	1" SPRING WASHER		01	01	01
46D	0503010012	1" SPRING WASHER		01	01	01
46E	0501010059	1.5/8 NUT		01	01	01
47	0501064699	SPRING ROD		01	01	01
48	0521010592	1.1" X 3.1" COUPLING SHAFT		01	01	01
49	0502020394	SPRING SUPPORT		02	02	02
50	0503030441	12.7" X 5.7" X 0.5" SPRING		01	01	01
51	0501010087	1.1/4" NUT		02	02	02
52	0501065827	FRONT CLEANER		08	09	11
53	0501065828	REAR CLEANER		08	09	11
54	0501040257	3/4 X 1200 HOSE HOLDER A	6	01	01	00
55	0501051611	CONNECTION ASSY		01	01	01
55A	0501068706	DOUBLE CONNECTION		01	01	01
55B	0503010237	3/8" X 1" BOLT		02	02	02
55C	0501010984	FLAT WASHER		02	02	02
55D	0503010025	3/8" SPRING WASHER		02	02	02
55E	0503010026	3/8" NUT		02	02	02
56	0501080054	3/8" X 17" TR-TC HOSE ASSY		02	02	02
57	0501080413	3/8" X 27" TR-TC HOSE		02	02	02
58	0501080458	3/8" X 315" TC-TM HOSE ASSY		01	01	01
59	0501080459	3/8" X 322" TC-TM HOSE ASSY		01	01	01
60	0501046307	DRAWBAR ASSY	7	01	01	00
60.	0511041570	DRAWBAR ASSY 3"	8	00	00	01
61	0501067243	STABILIZER BAR		01	01	01
62	0503060102	WHEEL AND TIRE	9	02	02	02
63	0521010737	2" X 1.5" X 1.4" SLEEVE		02	02	02
64	0503010740	BOLT 1/2 UNC X 2 CS G.5 ZN		32	36	76
65	0511017302	FLAT WASHER		64	72	152
66	0531060190	FRONT FRAME 30D		01	00	00
66.	0501065161	FRONT FRAME		00	01	00
66..	0501065165	FRONT FRAME		00	00	01
67	0531060191	REAR FRAME 30D		01	00	00
67.	0501065162	REAR FRAME		00	01	00
67..	0501065166	REAR FRAME		00	00	01
68	0501017779	32 X 60 X 4.75 FLAT WASHER		04	04	04
69	0503030012	HAIR PIN		01	01	01
70	0521010779	31.75 X 95 COUPLING SHAFT		01	01	01
71	0501017779	32 X 60 X 4.75 FLAT WASHER		01	01	01
72	0503010523	1/4" X 2" COTTERPIN		01	01	01
73	0511817974	TOWER HANGER SUSPENSION		02	02	02
74	0503011438	SPRING WASHER		04	04	04
75	0501810059	1" NUT		04	04	04



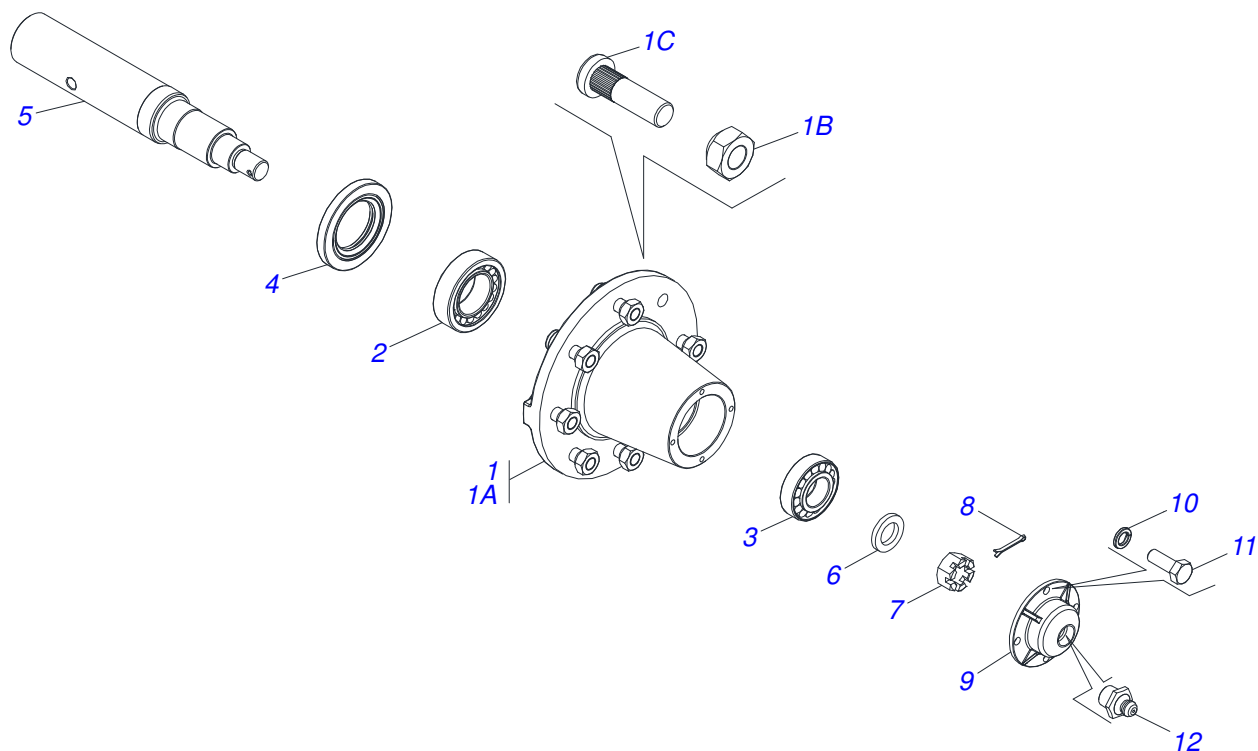
FRAME ASSY

0909095562

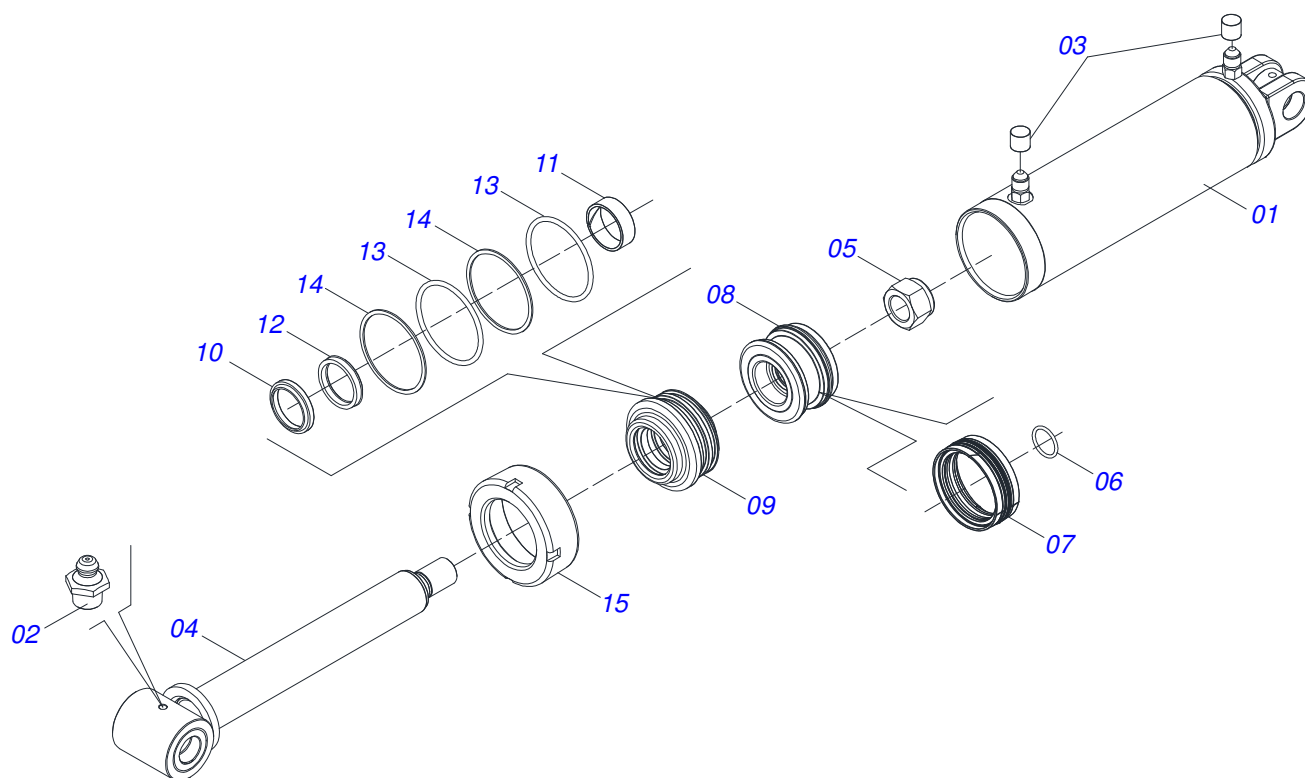
Item	Code	Description	See page	30	32	40
76	0511818006	BOLT		02	02	02
77	0561011883	FLAT WASHER		01	01	01
78	0581010270	GLOVE 48 X 59.30 X 76		01	01	01
79	0503034003	SERIAL NUMBER TAG 61 X 118		01	01	01
80	0503010001	3.2 X 5.5 RIVET		04	04	04
81	0503031428	READ MANUAL DECAL		01	01	01
82	0503031087	ADHESIVE LABEL		01	01	01
83	0503031827	LUBRICATE AND RETIGHTEN DAILY DECAL		01	01	01
84	0503034078	LIFTING POINTS DECAL		01	01	01
85	0503033038	DANGER SIGN		01	01	01
86	0503031738	ADHESIVE LABEL		01	01	01
87	0503060787	SET LABEL ADHESIVE		01	01	01
88	0503031739	ADHESIVE LABEL		01	01	01
89	0501011445	FLAT WASHER		01	01	01
90	0909095564	DISC GANG SECTION	10	01	01	01



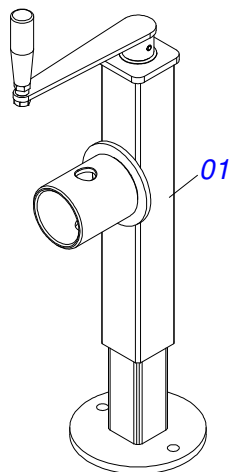
Item	Code	Description	See page	QT
01	0503011627	MALE QUICK COUPLER AGR 1/2 NPT		01
02	0503011882	MALE QUICK COUPLER CAP		01



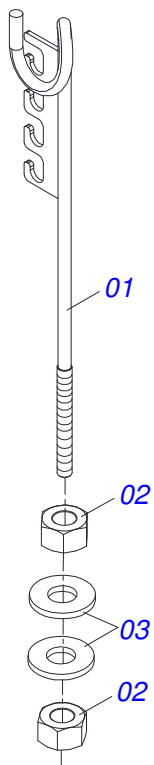
Item	Code	Description	See page	QT
01	0501110738	CARRYING WHEEL HUB		01
01A	0502012260	CAIXA RODADO TRANSPORTE		01
01B	0503010064	5/8 UNF CONIC NUT		08
01C	0501010186	WHEEL SCREW 5/8UNF X 2.1/8CR		08
02	0503011156	ROLAMENTO 2780/2720 IMP		01
03	0503010008	ROLAMENTO 3780/37203		01
04	0503013314	RETENTOR 5166-GB 63,5 X 110 X 13 ARCA		01
05	0511012494	SPINDLE		01
06	0511012492	ARRUELA LISA 28 X 46 X 6,30		01
07	0503030009	1" CASTLE NUT		01
08	0503010018	5/32 X 1-1/2 COTTERPIN		01
09	0502020591	PROTECCION COVER		01
10	0503011444	SPRING WASHER		04
11	0503010358	5/16" X 5/8" BOLT		04
12	0503010002	1800 GREASE FITTING		01



Item	Code	Description	See page	QT
001	0501067256	4" X 16" CYLINDER CASE		01
002	0503010002	1800 GREASE FITTING		02
003	0503030385	CYLINDER PLUG N-002		02
004	0521066345	50,80 X 452 TURNBUCLE		01
005	0503010817	1.1/4" SELF LOCKING NUT		01
006	0503010345	2-218 N 3006-9B O'RING		01
007	0503015633	SELEMASTER SEALING		01
008	0502012842	50,80 X 101,60 PISTON		01
009	0581010678	50,80 X 101 RING SUPPORT		01
010	0503015636	SCRAPER SEAL		01
011	0503018025	RING GUIDE		01
012	0503018026	1870-2000-375 B GASKET		01
013	0503010338	2-342 N 3006-9B O'RING		02
014	0503011061	8-342 BACK-UP RING		02
015	0502012822	101.60 END CAP		01

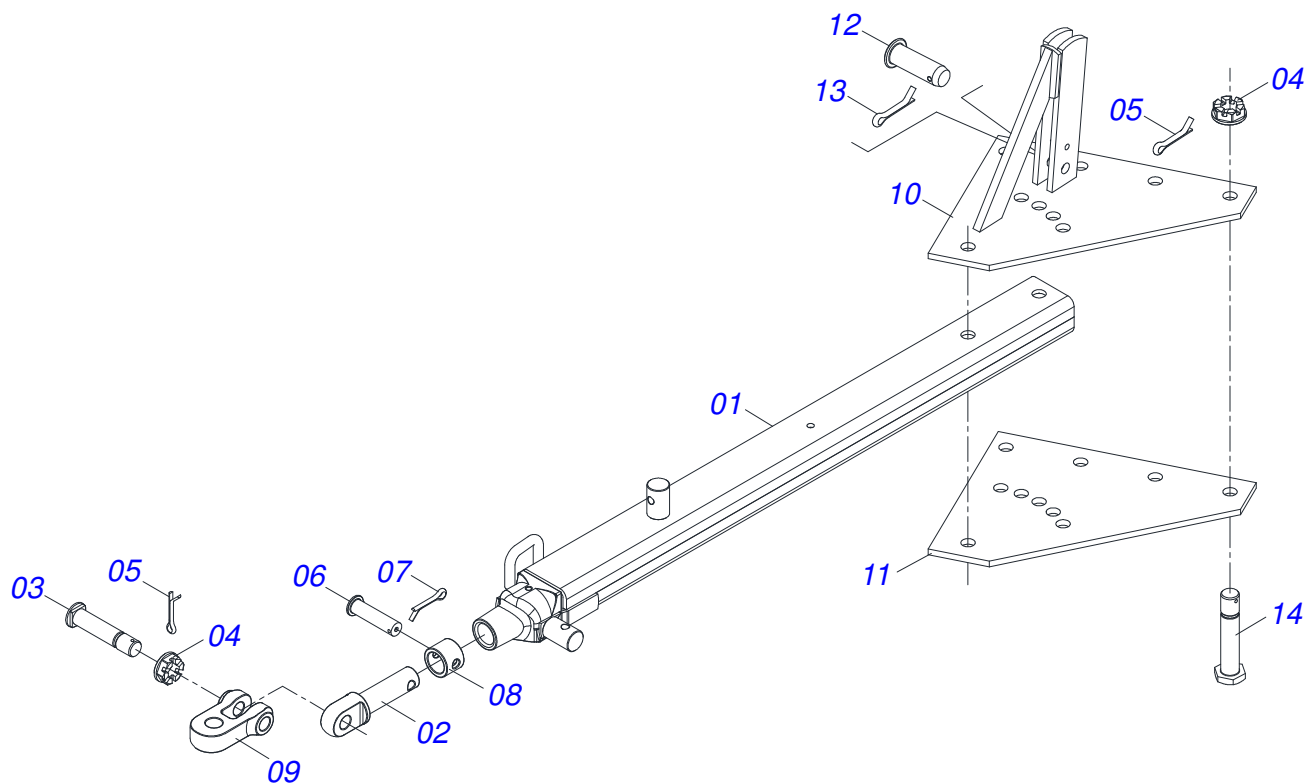


Item	Code	Description	See page	QT
01	0503062227	DRAWBAR JACK		01



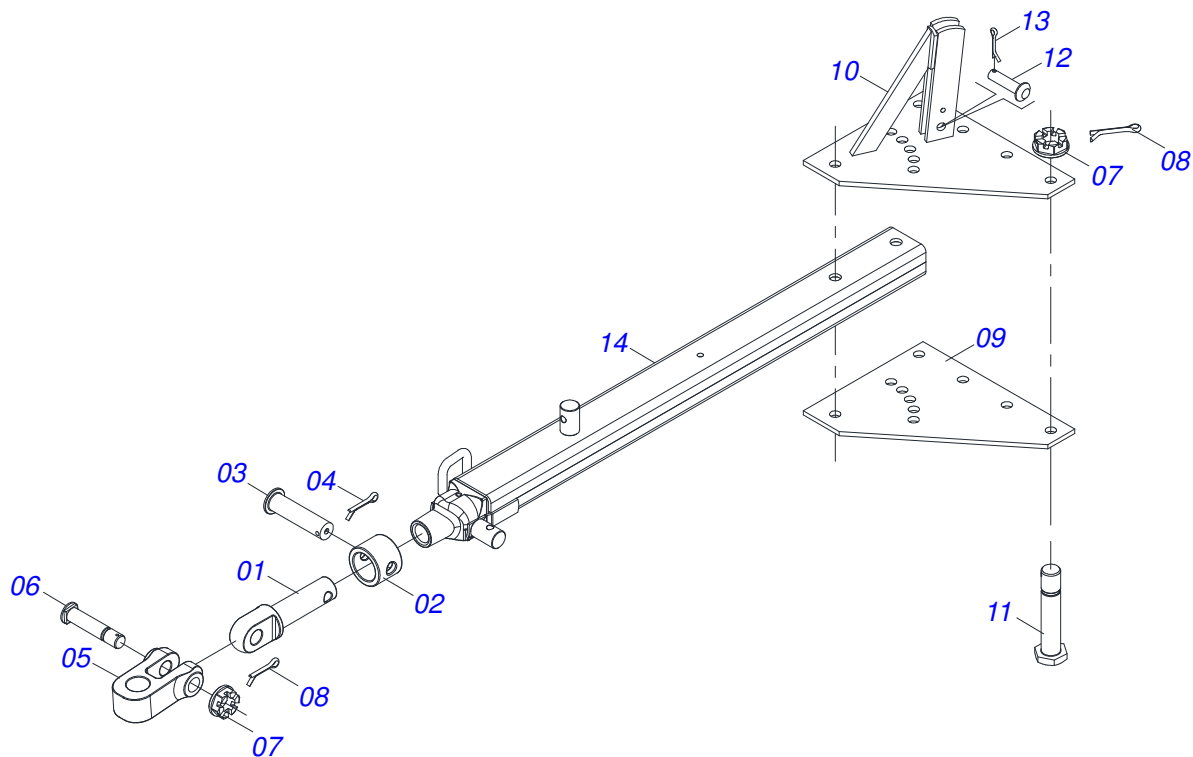
Item	Code	Description	See page	QT
01	0511067334	HOSE SOPPORT ASSY		01
02	0503010014	3/4" NUT		02
03	0501010322	FLAT WASHER		02

DRAWBAR ASSY



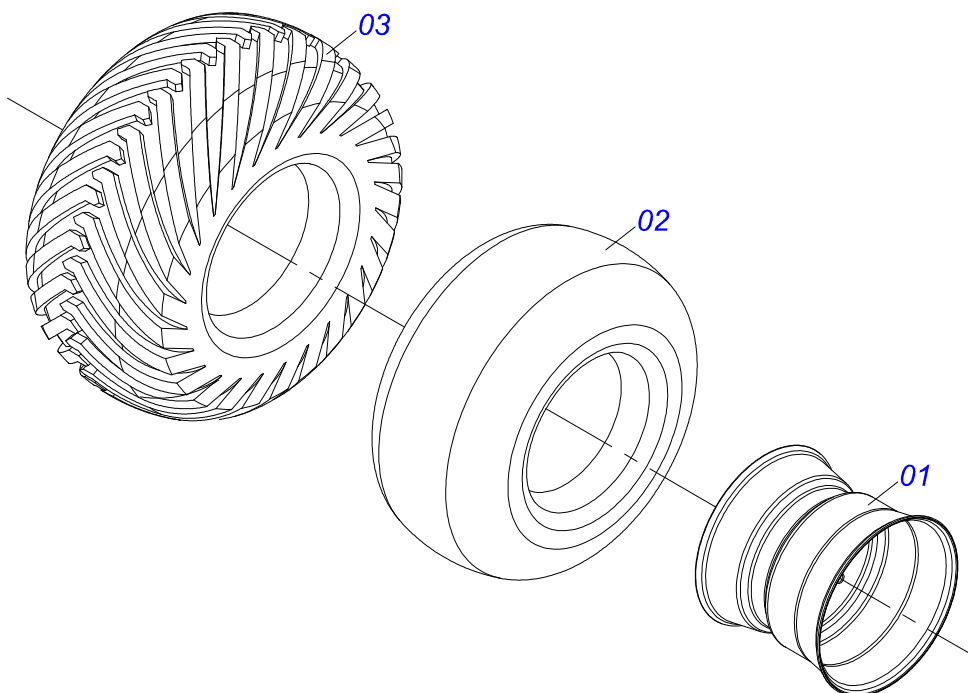
Item	Code	Description	See page	QT
01	0501069323	DRAWBAR ASSY		01
02	1902040223	PIN HITCH		01
03	0521012545	COUPLING SHAFT		01
04	0501011301	1.1/2 UNC 6FPP 2.5/16 NUT		07
05	0503010010	1/4" X 2.1/2" COTTERPIN		07
06	0511014902	COUPLING SHAFT		01
07	0503010571	1/4" X 1.1/2 COTTERPIN		01
08	1902040327	LOCK SLEEVE		01
09	1902040732	COUPLING		01
10	0501067250	UPPER PLATE WITH SUPPORT		01
11	0511016137	UPPER /LOWER PLATE		01
12	0521010779	31.75 X 95 COUPLING SHAFT		01
13	0503010523	1/4" X 2" COTTERPIN		01
14	0501016419	1-1/2" X 7.5" BOLT		06

DRAWBAR ASSY 3"



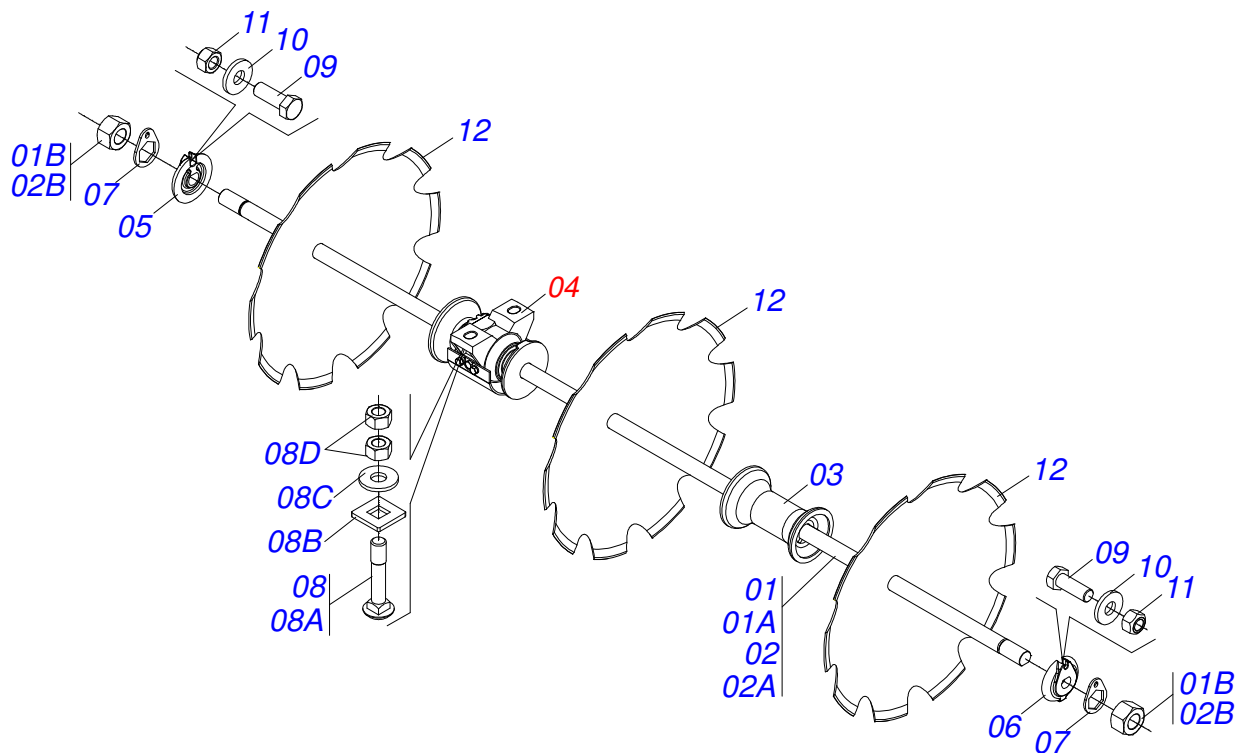
Item	Code	Description	See page	QT
001	0502040223	DRAWBOLT		01
002	0502040327	ANEL TRAVA ENGATE		01
003	0511014902	COUPLING SHAFT		01
004	0503010571	1/4" X 1.1/2 COTTERPIN		01
005	1902040733	U COUPLING HOOK		01
006	0521012545	COUPLING SHAFT		01
007	0501011301	1.1/2 UNC 6FPP 2.5/16 NUT		07
008	0503010010	1/4" X 2.1/2" COTTERPIN		07
009	0511016137	UPPER /LOWER PLATE		01
010	0501067250	UPPER PLATE WITH SUPPORT		01
011	0501016419	1-1/2" X 7.5" BOLT		06
012	0521010779	31.75 X 95 COUPLING SHAFT		01
013	0503010523	1/4" X 2" COTTERPIN		01
014	0501069323	DRAWBAR ASSY		01

WHEEL AND TIRE

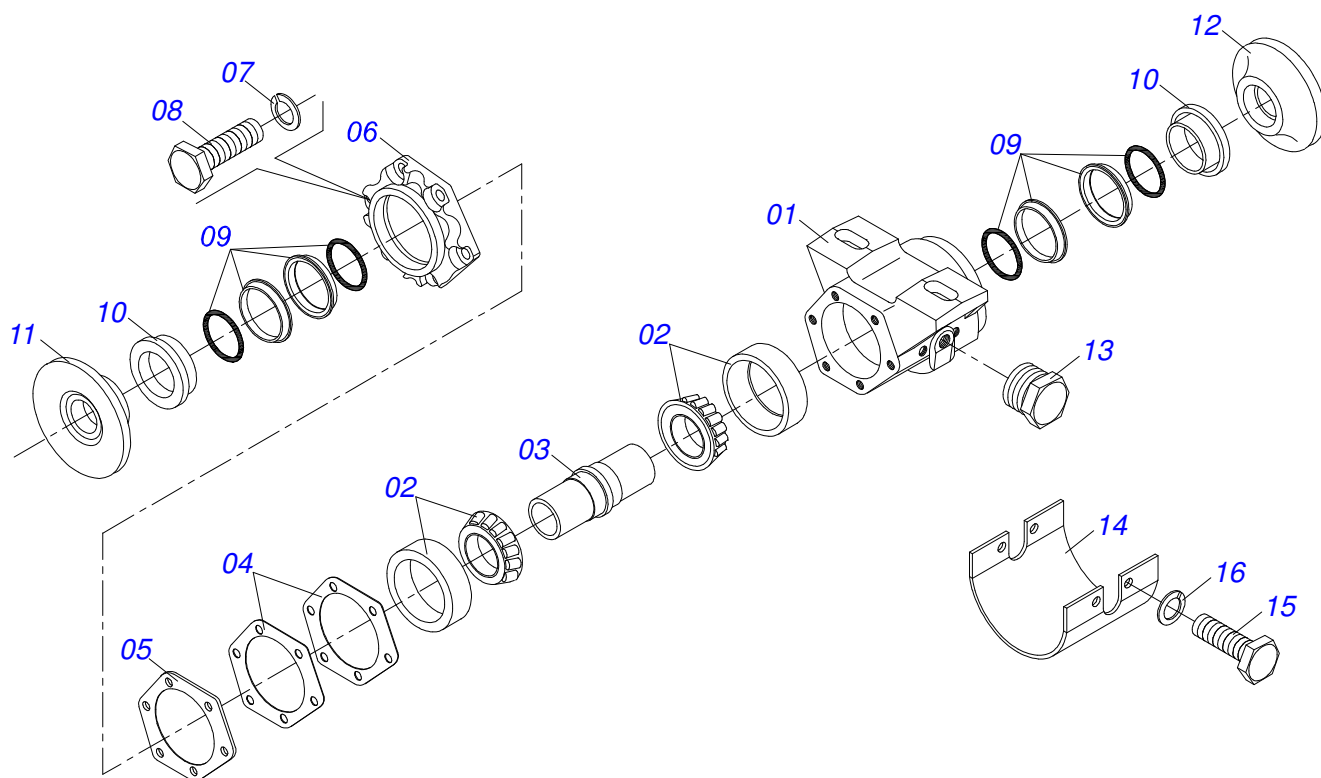


Item	Code	Description	See page	QT
001	0501069483	WHEEL		01
002	0503012112	400/60 - 15.5 TR 15 INNER TIRE		01
003	0503013119	CANVAS TIRE		01

DISC GANG SECTION



Item	Code	Description	See page	30	32	40
01	0501040360	1.3/4" X 1250 AXLE WITH NUT		06	04	08
01A	0501011425	1.3/4 X 1250 AXLE		01	01	01
01B	0501010333	1.3/4" NUT		02	02	02
02	0501040361	1.3/4 X 1520 AXLE WITH NUT		00	02	00
02A	0501011424	1,3/4" X 1520 AXLE		00	01	00
02B	0501010333	1.3/4" NUT		00	02	00
03	0502010400	263 SPACER		08	14	16
04	0501043008	262 1.3/4 OIL BATH BEARING	11	12	12	16
05	0502012222	1-3/4" EXTERNAL AXLE WASHER		06	06	08
06	0502012221	1-1/2" INNER AXLE WASHER		06	06	08
07	0511014339	1-5/8" 2.8" NUT LOCK		12	12	16
08	0511040034	3/4" X 3-1/4" BOLT ASSY		24	24	32
08A	0501017303	3/4" X 3-1/4" BOLT		01	01	01
08B	0501010949	3/4" SQUARE WASHER		01	01	01
08C	0501010322	FLAT WASHER		01	01	01
08D	0503010014	3/4" NUT		02	02	02
09	0503011267	BOLT 5/8 UNC X 1.1/2 C S G.5 ZN		12	12	16
10	0501012140	FLAT WASHER		12	12	16
11	0503012412	5/8 UNC SELF LOCKING NUT		12	12	16
12	0602037001	28" X 7,5MM NOTCHED DISC BLADE		30	32	40



Item	Code	Description	See page	QT
01	0502020636	8.8" X 1-5/8" OIL HOUSING BEARING	01	
02	0503012819	ROLLER BEARING	02	
03	0502010824	AXLE CM/DM	01	
04	0503030030	5.6" X 4.4" X 0.01" GASKET	02	
05	0503030685	5.5" X 4.4" X 0.003" GASKET	01	
06	0502020161	WEAR PLATE BEARING	01	
07	0503010025	3/8" SPRING WASHER	06	
08	0503010237	3/8" X 1" BOLT	06	
09	0503030027	DUO-CONE SEAL	02	
10	0502010823	SEAL RETAINER	02	
11	0502040141	OUTER FLANGE	01	
12	0502040142	INNER FLANGE	01	
13	0503010856	OIL PLUG	02	
14	0521012933	BEARING WEAR PLATE	01	
15	0503010834	1/2 X 1 BOLT	04	
16	0503010019	1/2" SPRING WASHER	04	



www.marchesan.com.br



Technical Publications | Elaboration and Revision
ALESSANDRA PATRICIA KAWAHARA CARRILI