

PARTS CATALOGUE



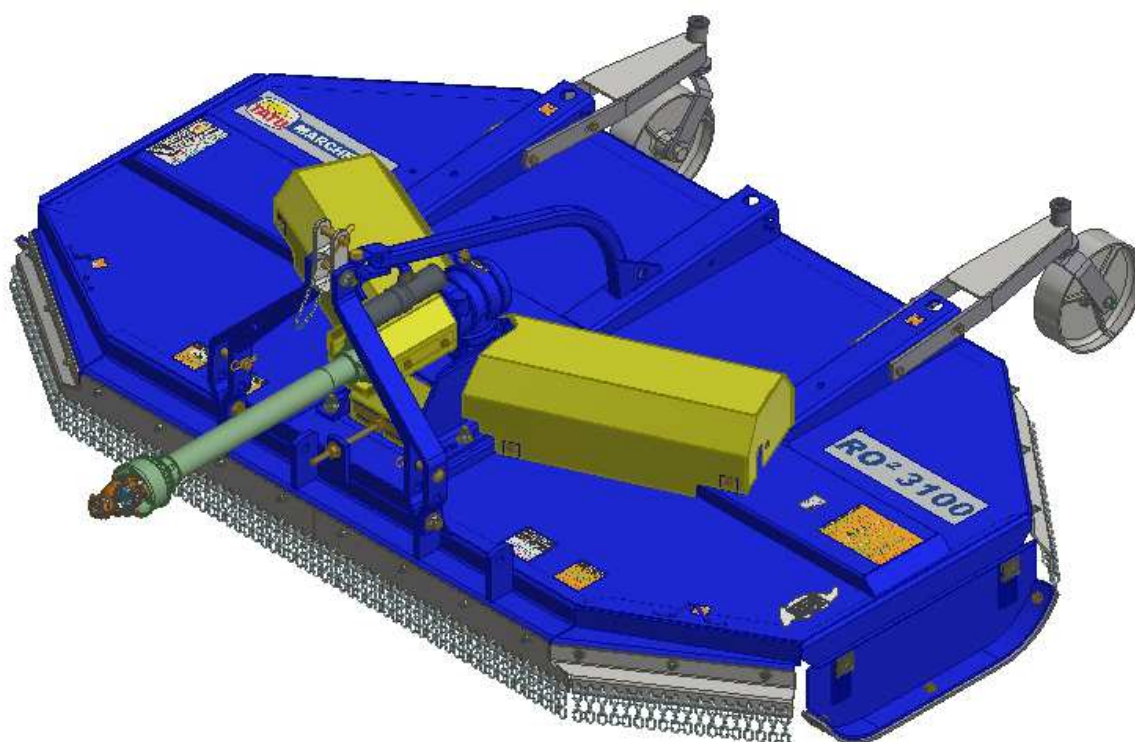
ROTARY CUTTERS

Code:

0501092864

Product:

RO2 3100



Series:

S-0516

Revision:

00

Date Revision:

NOVEMBRO/2020



PRODUCTS

Code	Description
0104040040	RO2 3100 C/R C/PROTECAO CORRENTE S-0516

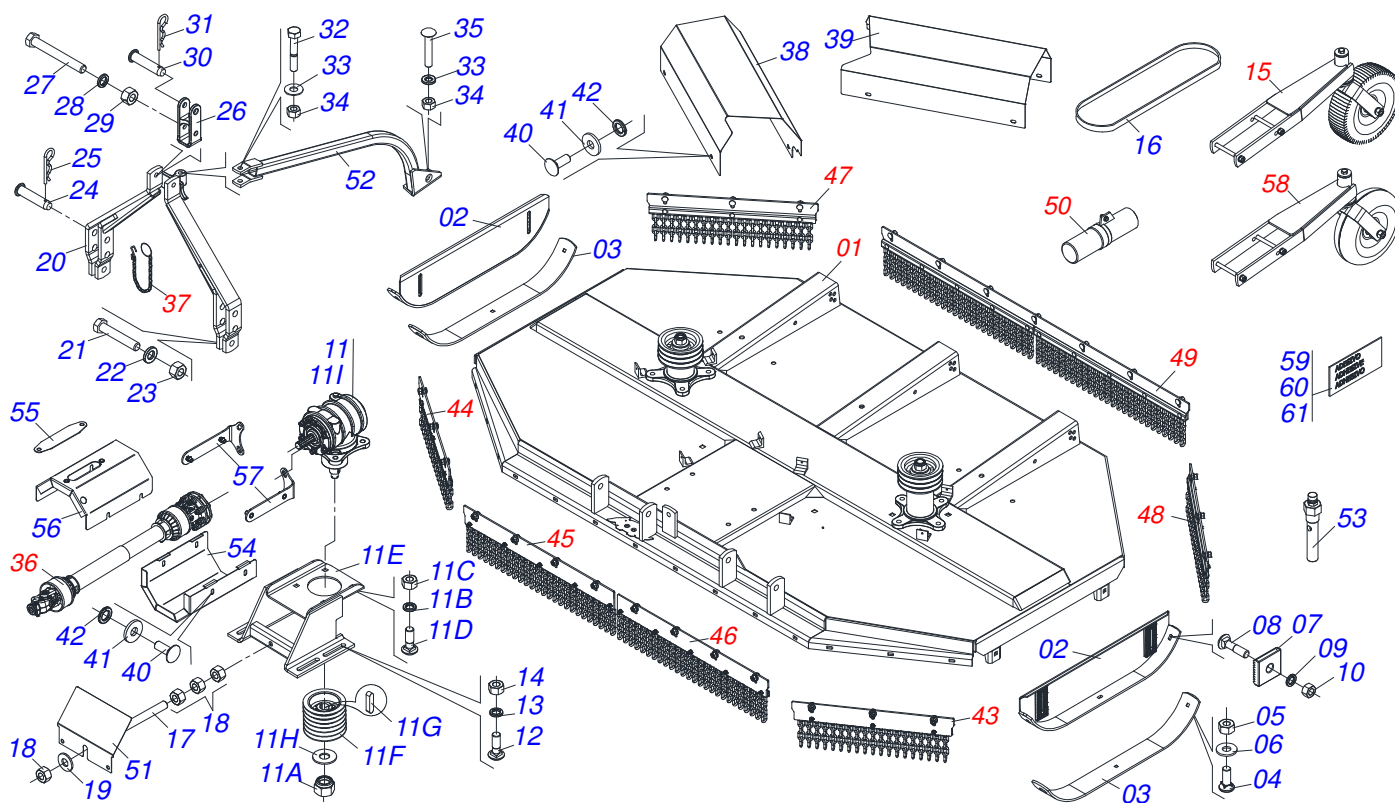
ATTENTION: IMPORTANT

Marchesan S.A. reserves the right to improve and / or modify the technical features of its products, without obligation to do the same with those products already sold and without prior knowledge of the dealer or the consumer.



INDEX

0909095488	ASSY FRAME	1
0511055351	SEMIFINISHED FRAME	2
0511043567	ROTARY CUTTERS HUB ASSY	3
0511043566	ROTARY CUTTERS HUB ASSY	4
0501056321	SUPPORT ROTARY CUTTER BLADES	5
0501043642	RUBBER WHEEL ASSY	6
0501047952	DRIVE SHAFT	7
0511059921	FRONT LEFT CHAIN PROTECTION	8
0511059918	RIGHT FRONT CHAIN PROTECTION	9
0511059916	CENTRAL RIGHT FRONT CHAIN PROTECTION	10
0511059915	FRONT LEFT CENTRAL CHAIN PROTECTION	11
0511059914	RIGHT REAR CHAIN PROTECTION	12
0511059913	LEFT REAR CHAIN PROTECTION	13
0511059910	LEFT REAR CHAIN PROTECTION	14
0521051873	ASSY MANUAL DOOR	15
0511047301	CARRYING WHEELS ASSY	16

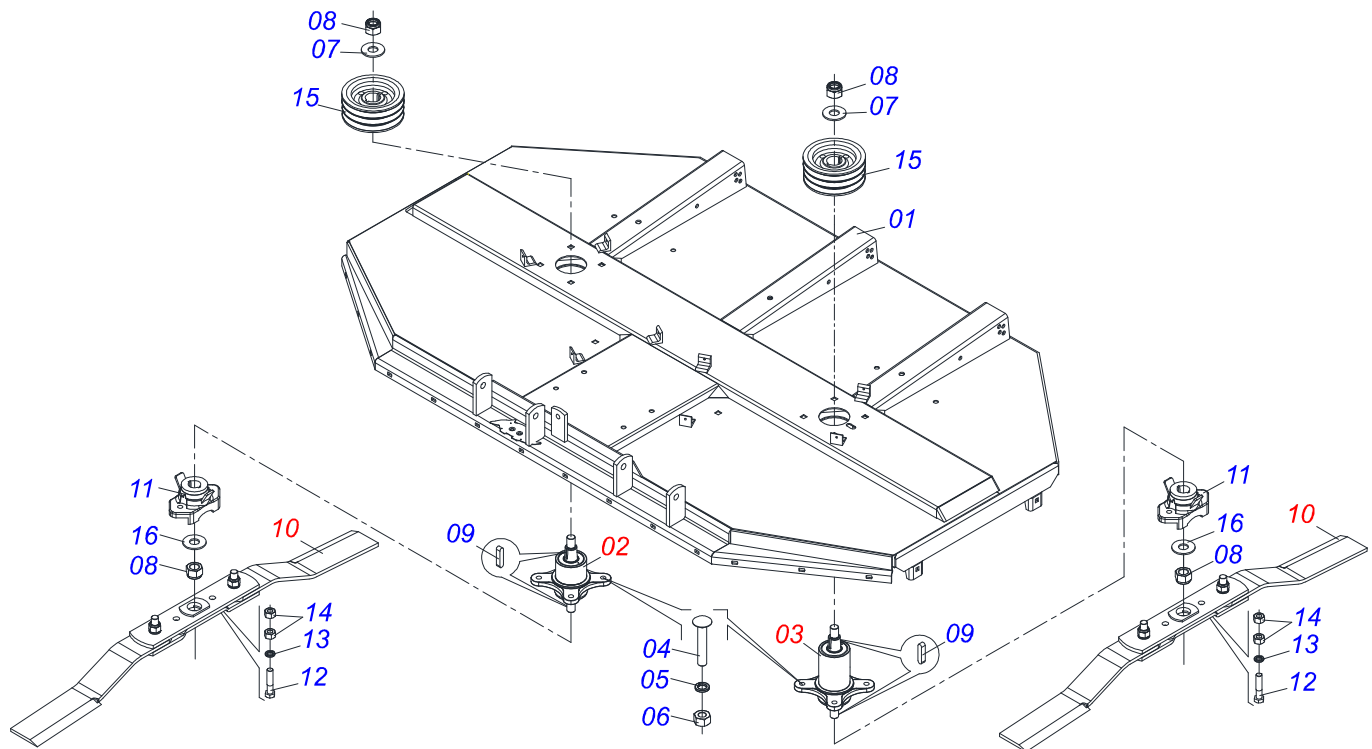


Item	Code	Description	See page	QT
01	0511055351	SEMIFINISHED FRAME	2	01
02	0511064761	930 LEFT SKID		02
03	0531019436	SKID GUIDE		02
04	0503012956	1/2" X 1-1/2" BOLT		06
05	0503012682	1/2" BSW NUT		06
06	0511017302	FLAT WASHER		06
07	0502010083	SQUARE WASHER		04
08	0501014177	5/8" X 2-1/2" BOLT		04
09	0501012140	FLAT WASHER		04
10	0503013389	5/8" SELF LOCKING NUT		04
11	0511052083	MULTIPLIER		01
11A	0503010044	1-1/4" SELF LOCKING NUT		01
11B	0503011442	3/4" SPRING WASHER		04
11C	0503010014	3/4" NUT		04
11D	0511018358	3/4" X 2-1/4" 7MM BOLT		04
11E	0501066457	GEAR BOX SUPPORT		01
11F	0502011378	6 REEL X 7.5" X 1.97" PULLEY		01
11G	0501010536	KEYWAY SQUARE		02
11H	0561015762	FLAT WASHER		01
11I	0501046851	MULTIPLIER		01
12	0501010162	3/4" X 4" BOLT		04
13	0501010322	FLAT WASHER		09
14	0503011075	3/4" UNC NUT		07
15	0501043642	RUBBER WHEEL ASSY	6	02
16	0503010156	C-85 BELT		06
17	0501016413	362 TENSIONER BODY		01
18	0503010014	3/4" NUT		04
19	0501010322	FLAT WASHER		09
20	0501066446	DRAWBAR		01
21	0501010171	PARAFUSO 1 UNC X 3.1/2 C S G.5		02
22	0511015994	FLAT WASHER		02

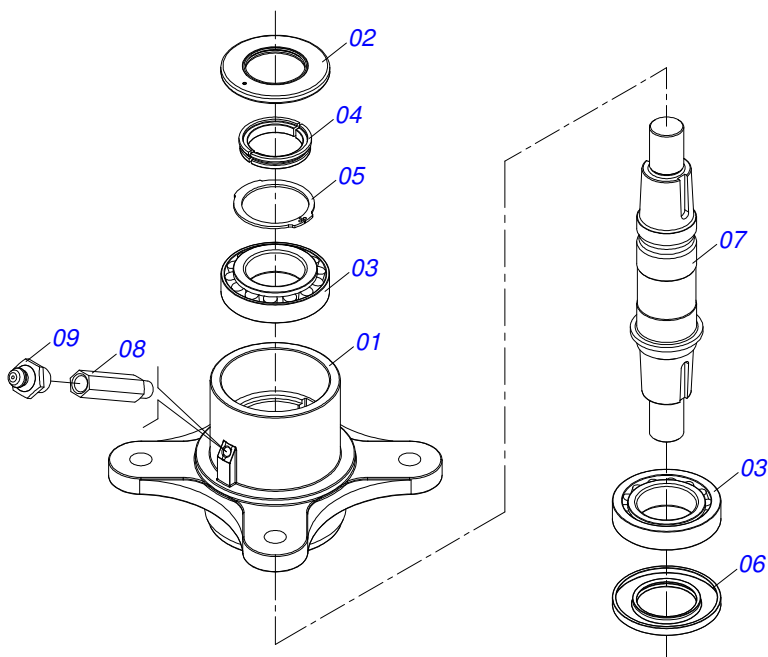


RO2 3100
ASSY FRAME

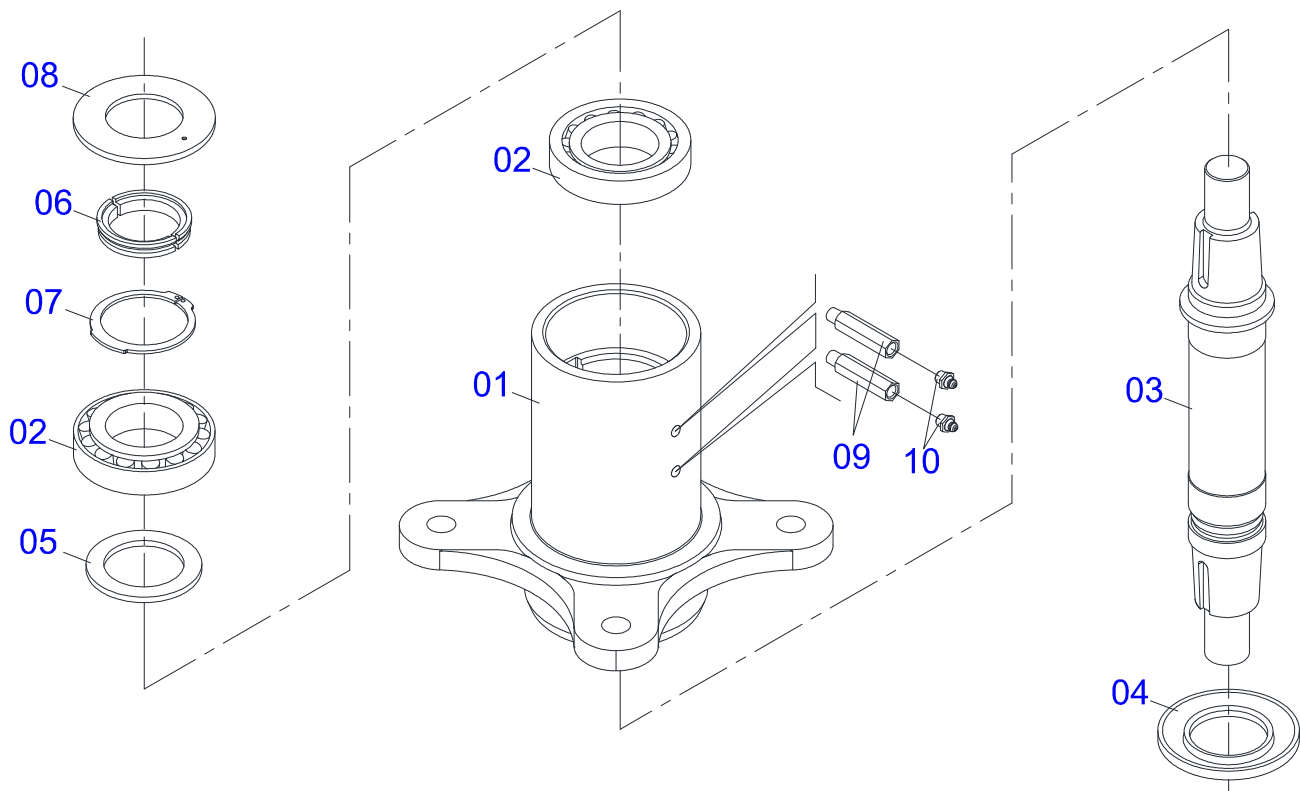
Item	Code	Description	See page	QT
23	0503014182	SELF-ADJUSTING NUT		02
24	0521010596	COUPLING SHAFT		02
25	0503031035	HAIR PIN		02
26	0502040922	HEADER SUPPLEMENT		01
27	0501011545	3/4" X 6-1/2" BOLT		01
28	0501010322	FLAT WASHER		01
29	0503011075	3/4" UNC NUT		01
30	0521010578	COUPLING SHAFT		01
31	0503031035	HAIR PIN		01
32	0501010216	3/4" X 4-1/2" BOLT		01
33	0501010322	FLAT WASHER		02
34	0503011075	3/4" UNC NUT		02
35	0501017305	3/4" X 2-1/4" BOLT		01
36	0501047952	DRIVE SHAFT	7	01
37	0503011981	17.7" CHAIN WITH HOOK/LINK		01
38	0521067367	COVER PROTECTION BELTS LEFT		01
39	0521067368	COVER PROTECTION BELTS		01
40	0503010751	C3/8" X 1.1/4" HEX BOLT G.5		12
41	0501010984	FLAT WASHER		12
42	0503010025	3/8" SPRING WASHER		12
43	0511059921	FRONT LEFT CHAIN PROTECTION	8	01
44	0511059918	RIGHT FRONT CHAIN PROTECTION	9	01
45	0511059916	CENTRAL RIGHT FRONT CHAIN PROTECTION	10	01
46	0511059915	FRONT LEFT CENTRAL CHAIN PROTECTION	11	01
47	0511059914	RIGHT REAR CHAIN PROTECTION	12	01
48	0511059913	LEFT REAR CHAIN PROTECTION	13	01
49	0511059910	LEFT REAR CHAIN PROTECTION	14	01
50	0521051873	ASSY MANUAL DOOR	15	01
51	0531012083	PROTECTION CHAIN FIXER MULTIPLIER		01
52	0501067540	FRENCH HAND		01
53	0501110186	OIL SMALLER LEVEL INDICATOR		01
54	0581011777	BODY LOWER PROTECTION COAT		01
55	0581012546	LUBRICATION AXIS TRANSMISSION		01
56	0501110998	CARDAN TOP PROTECTION COVER		01
57	0501110996	LOWER SUPPORT COVER PROTECTION WITH RIVET		02
58	0511047301	CARRYING WHEELS ASSY	16	02
59	0503031087	ADHESIVE LABEL		01
60	0503031127	ADHESIVE LABEL		01
61	0503034247	ADHESIVE LABEL POINT LUBRICATION		03



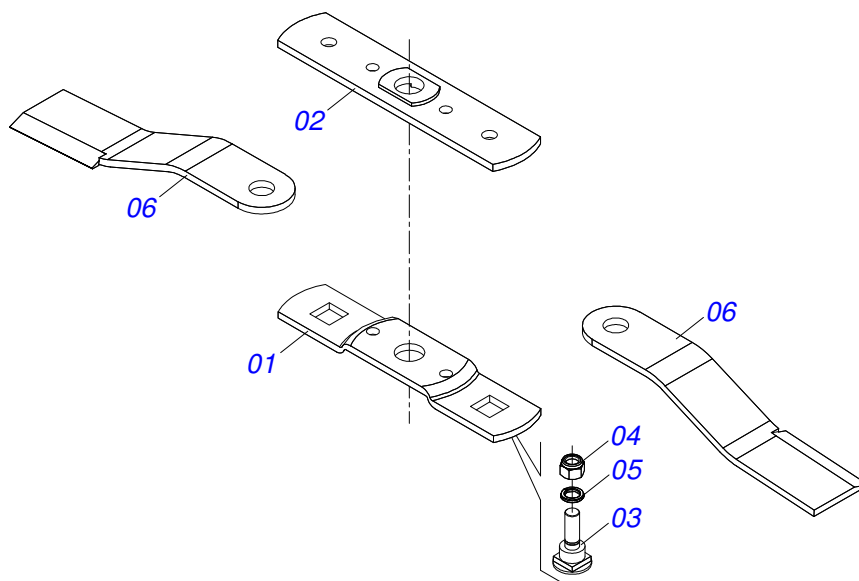
Item	Code	Description	See page	QT
001	0521064922	FRAME		01
002	0511043567	ROTARY CUTTERS HUB ASSY	3	01
003	0511043566	ROTARY CUTTERS HUB ASSY	4	01
004	0503013122	3/4" X 4-1/4" BOLT		08
005	0503011442	3/4" SPRING WASHER		08
006	0503010014	3/4" NUT		08
007	0561015762	FLAT WASHER		02
008	0503010817	1.1/4" SELF LOCKING NUT		04
009	0501010536	KEYWAY SQUARE		08
010	0501056321	SUPPORT ROTARY CUTTER BLADES	5	02
011	0502012453	SUPPORT FLANGE		02
012	0503010901	3/4UNC 3.1/2 BOLT		04
013	0503011442	3/4" SPRING WASHER		04
014	0503010014	3/4" NUT		08
015	0502011377	REEL 190 X 50 PULLEY		02
016	0501017779	32 X 60 X 4.75 FLAT WASHER		02



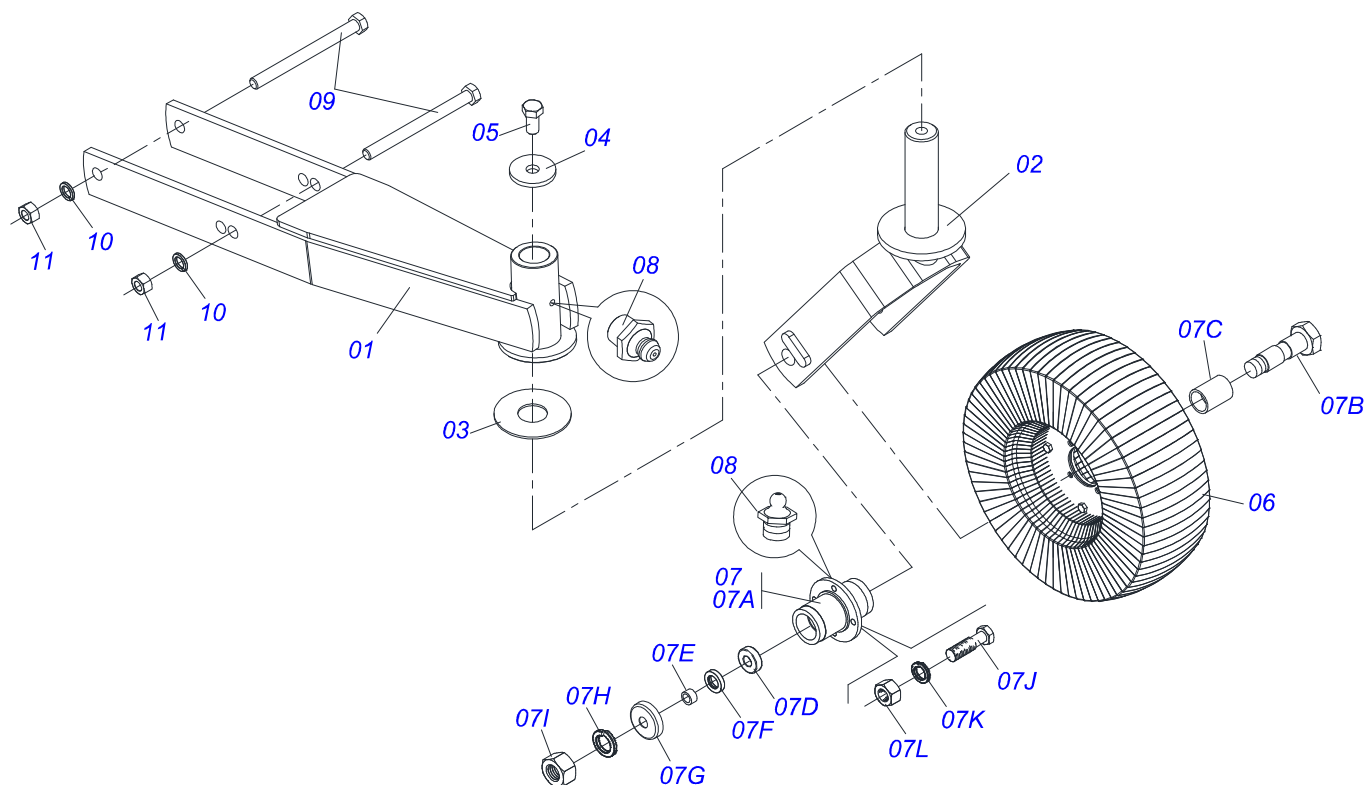
Item	Code	Description	See page	QT
01	0502012294	DROP HUB		01
02	0503013201	ARCA 6016 BRG SEAL		01
03	0503012418	32211 ROLLER BEARING		02
04	0541014445	LOCK RING		01
05	0503012311	501065 RENO RING		01
06	0503013211	6016 BRG SEAL		01
07	0541014095	ROTARY CUTTERS SMALLER AXLE		01
08	0501019757	EXTENSION GREASE FITTING		01
09	0503010002	1800 GREASE FITTING		01



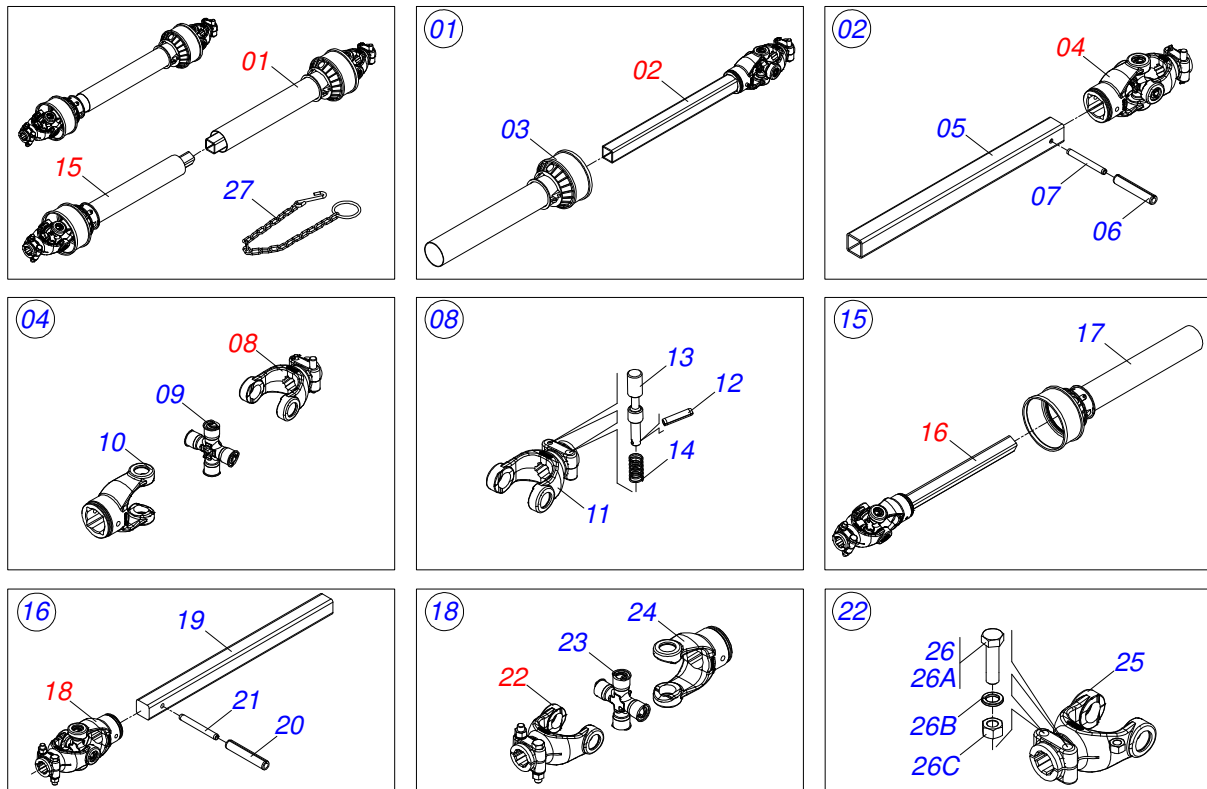
Item	Code	Description	See page	QT
01	0502012295	ROTARY CUTTERS HUB		01
02	0503012418	32211 ROLLER BEARING		02
03	0541014094	LARGER AXLE		01
04	0503013201	ARCA 6016 BRG SEAL		01
05	0541014151	FLAT WASHER		01
06	0531019302	LOCK RING		01
07	0503012311	501065 RENO RING		01
08	0503013211	6016 BRG SEAL		01
09	0501019757	EXTENSION GREASE FITTING		02
10	0503010002	1800 GREASE FITTING		02



Item	Code	Description	See page	QT
01	0561017368	ROTARY LOWER SUPPORT		01
02	0561017308	SUPPORT UPPER BASE		01
03	0511019000	BOLT		02
04	0503010812	7/8" UNF SELF LOCKING NUT		02
05	0503011447	SPRING WASHER		02
06	0622400054	24.5" X 3.94" X 0.5" ROTARY CUTTER		02

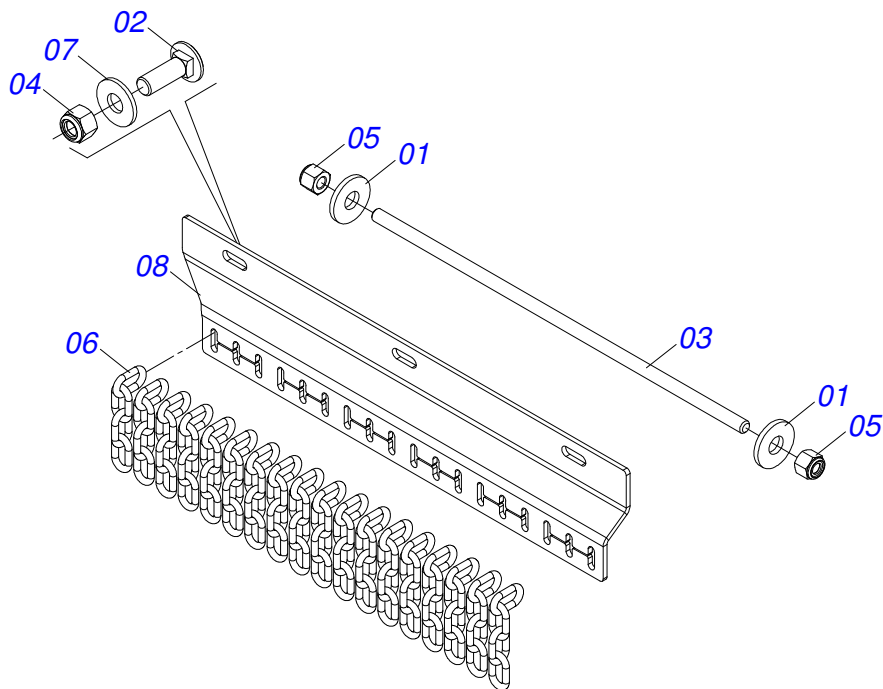


Item	Code	Description	See page	QT
01	0501069375	WHEEL SUPPORT		01
02	0501065266	WHELL FORK		01
03	0511013239	FLAT WASHER		01
04	0511010721	FLAT WASHER		01
05	0503010962	5/8" X 1-1/4" BOLT		01
06	0501050433	TIRE WHELL		01
07	0501051587	WHEELS BOX ASSY		01
07A	0502011286	WHEELS BOX ASSY		01
07B	0501017143	WHEEL AXLE		01
07C	0521010460	0.9" X 1.1" X 2.9" SLEEVE		01
07D	0503010269	6204 BALL BEARING		02
07E	0521010487	SPACER WASHER		02
07F	0503010268	00262-B SEAL		02
07G	0511014254	DUST CLOAK		01
07H	0503010023	3/4" SPRING WASHER		01
07I	0503010014	3/4" NUT		04
07J	0501010080	3/8" BOLT		04
07K	0503010025	3/8" SPRING WASHER		04
07L	0503010026	3/8" NUT		02
08	0503010002	1800 GREASE FITTING		01
09	0503010795	5/8" X 7" BOLT		02
10	0503010027	5/8" SPRING WASHER		02
11	0503010013	5/8" NUT		02



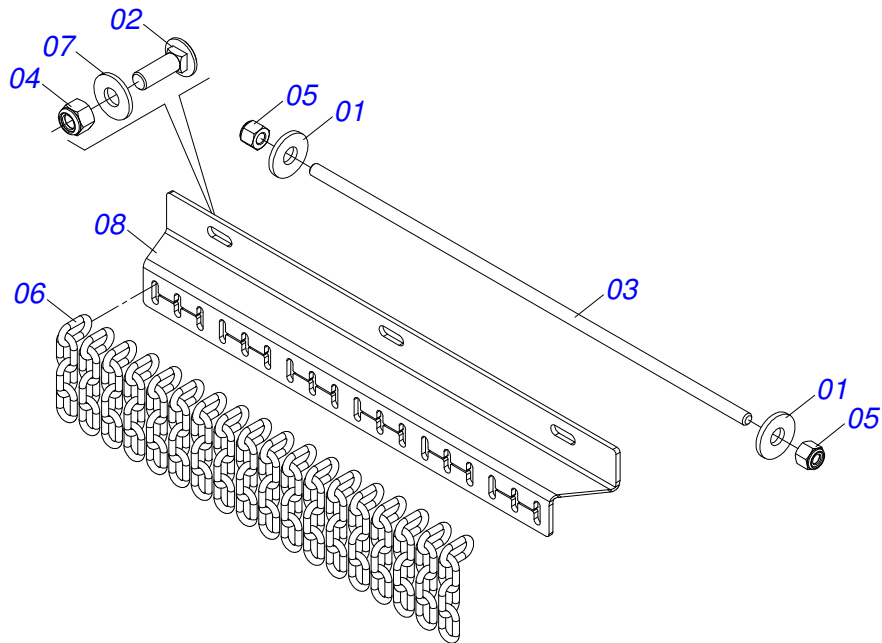
Item	Code	Description	See page	QT
01	0501051705	UNIVERSAL JOINT WITH SLEEVE/PROT		01
02	0501051707	UNIVERSAL JOINT WITH SLEEVE		01
03	0503012084	PROTECTION FOR UNIV JOINT AND SLEEV		01
04	0501051708	UNIVERSAL JOINT		01
05	0511010332	23" X 1.8" SQUARE SLEEVE		01
06	0503010843	0.4" X 3.3" SPRING PIN		01
07	0503011878	0.2" X 3.3" SPRING PIN		01
08	0501050334	1-60 TERMINAL WITH QUICK HITCH		01
09	0503010837	CARDAN CROSSPIECE		01
10	0502011422	2-60 TERMINAL		01
11	0502010568	1-60 STRIATED 1.3/8" TERMINAL		01
12	0503010838	0.1" X 0.8" SPRING PIN		02
13	0503037375	PIN QUICK COUPLING		02
14	0503030518	0.5"X1.0"X 0.1" COMPRESSION SPRING		02
15	0501051706	UNIVERSAL JOINT WITH AXLE/PROT		01
16	0501051709	UNIVERSAL JOINT WITH SHAFT		01
17	0503012085	PROTECTION FOR UNIV JOINT AND AXLE		01
18	0501051710	UNIVERSAL JOINT		01
19	0511010326	1.4" X 23" SQUARE SHAFT		01
20	0503011069	0.4" X 2.8" SPRING PIN		01
21	0503011805	0.2" X 2.8" SPRING PIN		01
22	0501052516	T6-60 TERMINAL WITH SCREW		01
23	0503010837	CARDAN CROSSPIECE		01
24	0502011424	3-60 TERMINAL		01
25	0502010830	6-60 STRIATED 1.3/8" TERMINAL		01
26	0501047756	1/2" X 3" SET PARTS		02
26a	0503010479	1/2" X 3" BOLT		01
26b	0503010019	1/2" SPRING WASHER		01
26c	0503010060	1/2" NUT		01
27	0503012023	CHAIN FOR PROTECTION		02

FRONT LEFT CHAIN PROTECTION



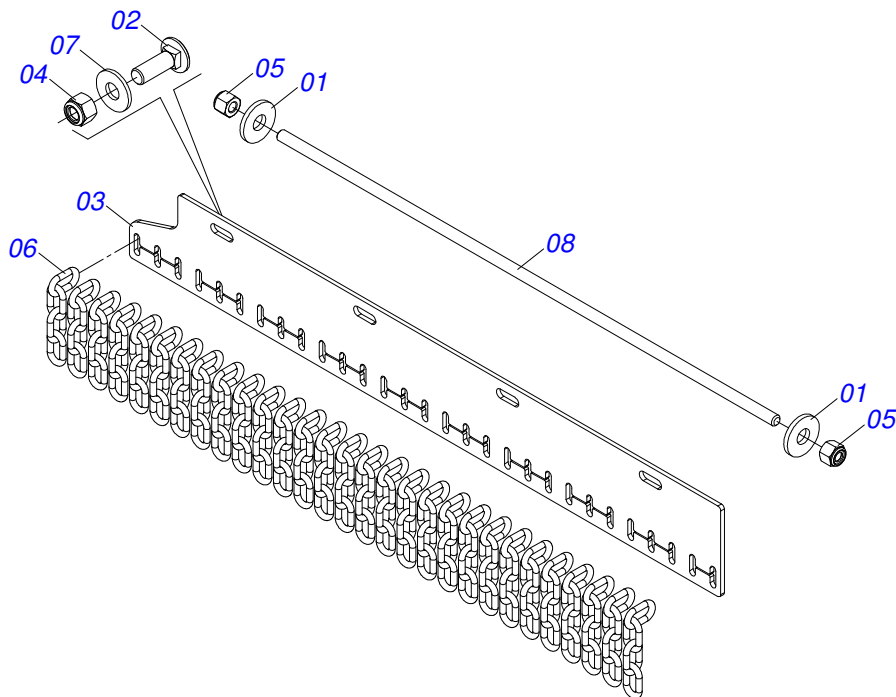
Item	Code	Description	See page	QT
01	0501010984	FLAT WASHER		02
02	0501011600	1/2" X 1-1/4" BOLT		03
03	0581013059	ROD CURRENT PROTECTION		01
04	0503012682	1/2" BSW NUT		03
05	0503013759	NUT		02
06	0511011774	8,00 CHAIN 4 LINK		18
07	0511017302	FLAT WASHER		03
08	0581013060	BODY PROTECTION LEFT FRONT CHAINS		01

RIGHT FRONT CHAIN PROTECTION



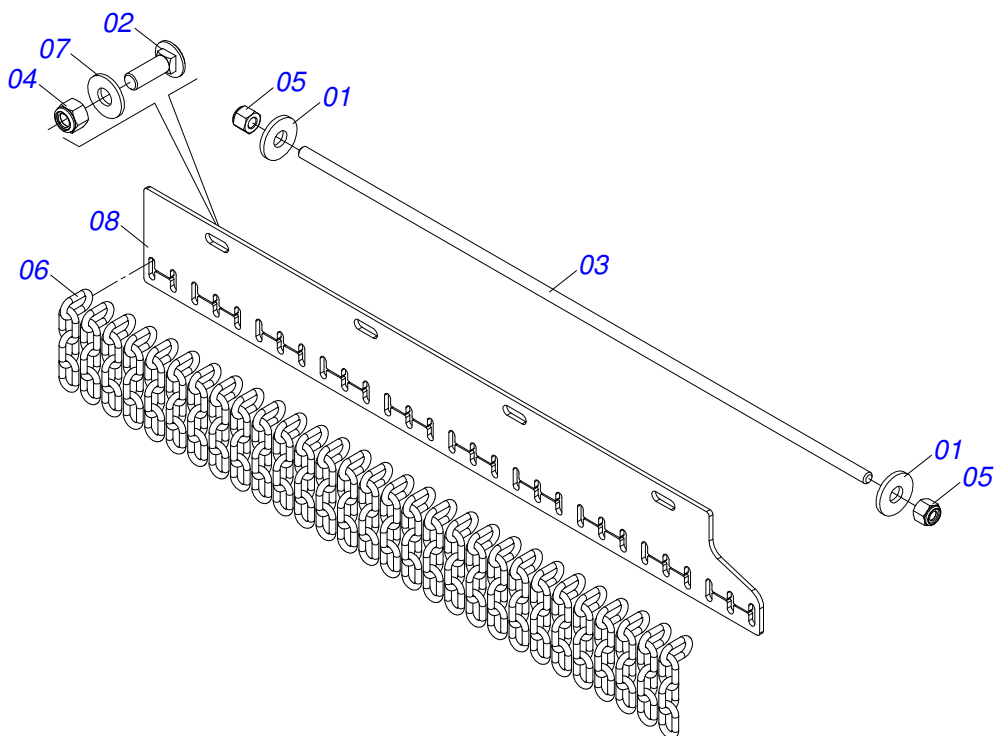
Item	Code	Description	See page	QT
01	0501010984	FLAT WASHER		02
02	0501011600	1/2" X 1-1/4" BOLT		03
03	0581013059	ROD CURRENT PROTECTION		01
04	0503012682	1/2" BSW NUT		03
05	0503013759	NUT		02
06	0511011774	8,00 CHAIN 4 LINK		18
07	0511017302	FLAT WASHER		03
08	0581013058	RIGHT FRONT CHAIN PROTECTION BODY		01

CENTRAL RIGHT FRONT CHAIN PROTECTION



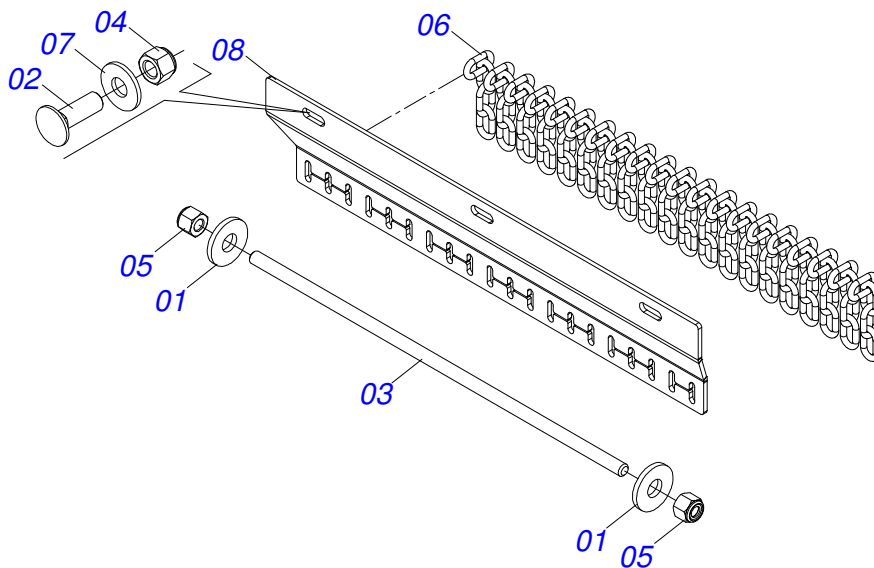
Item	Code	Description	See page	QT
01	0501010984	FLAT WASHER		02
02	0501011600	1/2" X 1-1/4" BOLT		04
03	0581013056	FRONT CENTRAL CHAIN PROTECTION BODY		01
04	0503012682	1/2" BSW NUT		04
05	0503013759	NUT		02
06	0511011774	8,00 CHAIN 4 LINK		29
07	0511017302	FLAT WASHER		04
08	0581013057	ROD CURRENT PROTECTION		01

FRONT LEFT CENTRAL CHAIN PROTECTION



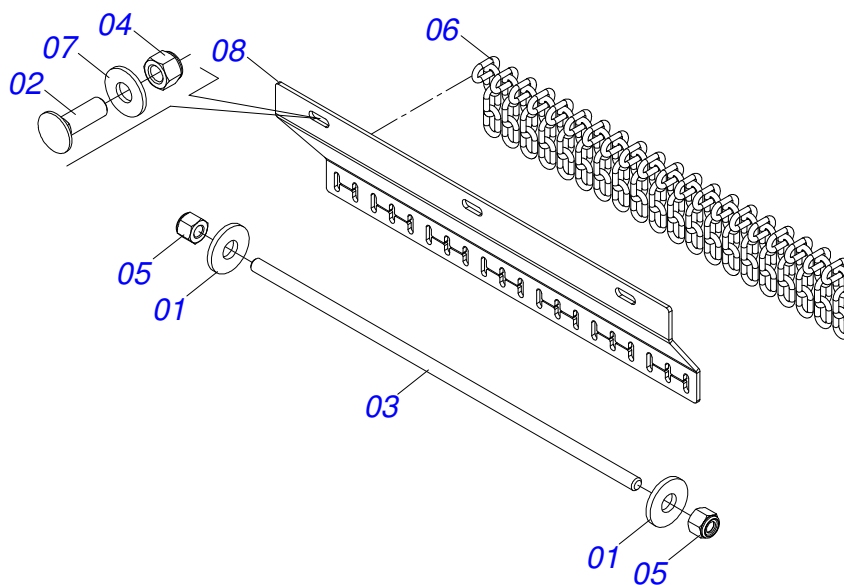
Item	Code	Description	See page	QT
01	0501010984	FLAT WASHER		02
02	0501011600	1/2" X 1-1/4" BOLT		04
03	0581013057	ROD CURRENT PROTECTION		01
04	0503012682	1/2" BSW NUT		04
05	0503013759	NUT		02
06	0511011774	8,00 CHAIN 4 LINK		29
07	0511017302	FLAT WASHER		04
08	0581013056	FRONT CENTRAL CHAIN PROTECTION BODY		01

RIGHT REAR CHAIN PROTECTION



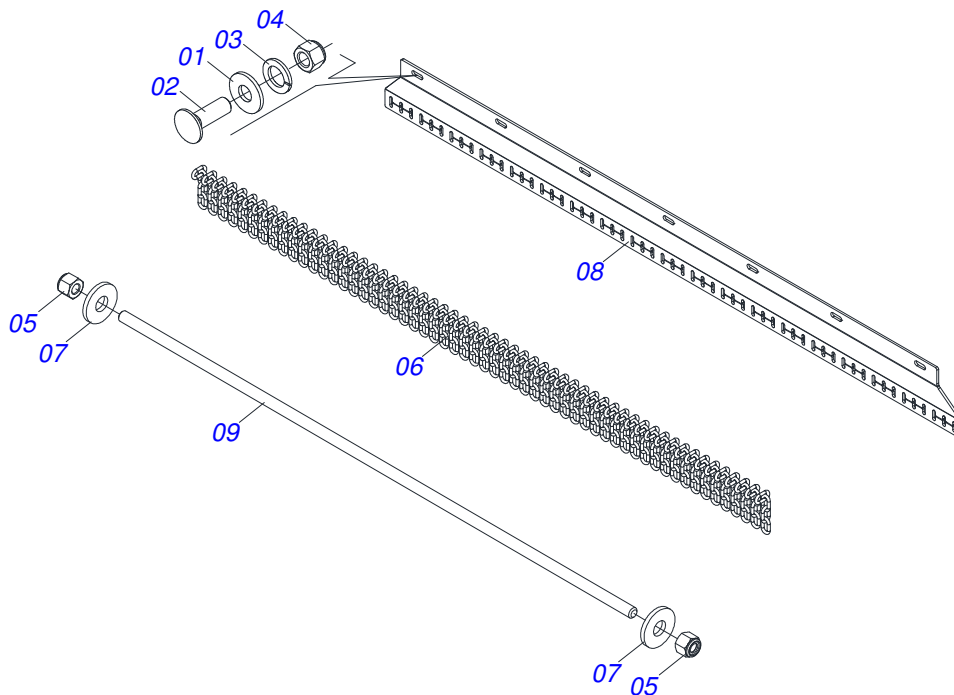
Item	Code	Description	See page	QT
01	0501010984	FLAT WASHER		02
02	0501011600	1/2" X 1-1/4" BOLT		03
03	0581014039	CURRENT PROTECTION BAR (725)		01
04	0503012682	1/2" BSW NUT		03
05	0503013759	NUT		02
06	0511011774	8,00 CHAIN 4 LINK		20
07	0511017302	FLAT WASHER		03
08	0581013055	BODY PROTECTION RIGHT REAR CHAINS		01

LEFT REAR CHAIN PROTECTION

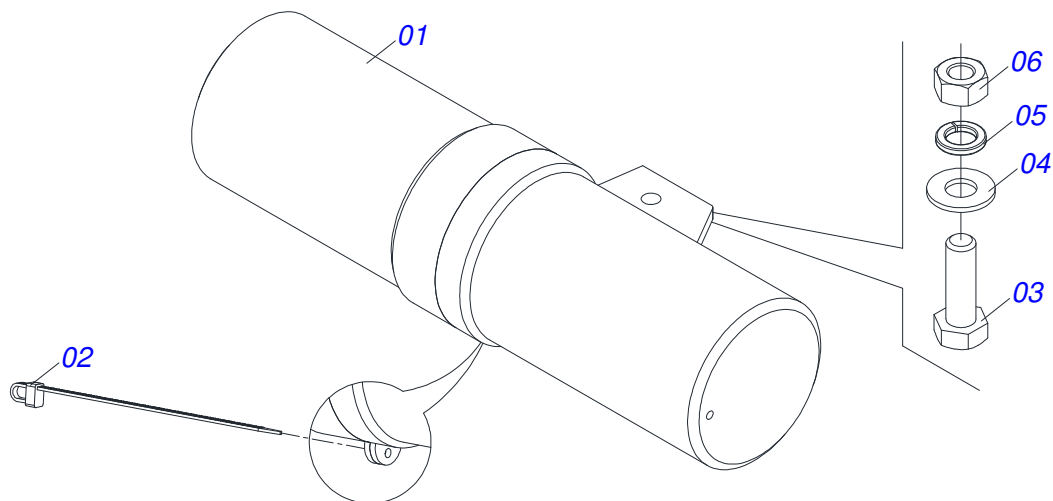


Item	Code	Description	See page	QT
01	0501010984	FLAT WASHER		02
02	0501011600	1/2" X 1-1/4" BOLT		03
03	0581014039	CURRENT PROTECTION BAR (725)		01
04	0503012682	1/2" BSW NUT		03
05	0503013759	NUT		02
06	0511011774	8,00 CHAIN 4 LINK		20
07	0511017302	FLAT WASHER		03
08	0581013053	BODY PROTECTION LEFT REAR CHAINS		01

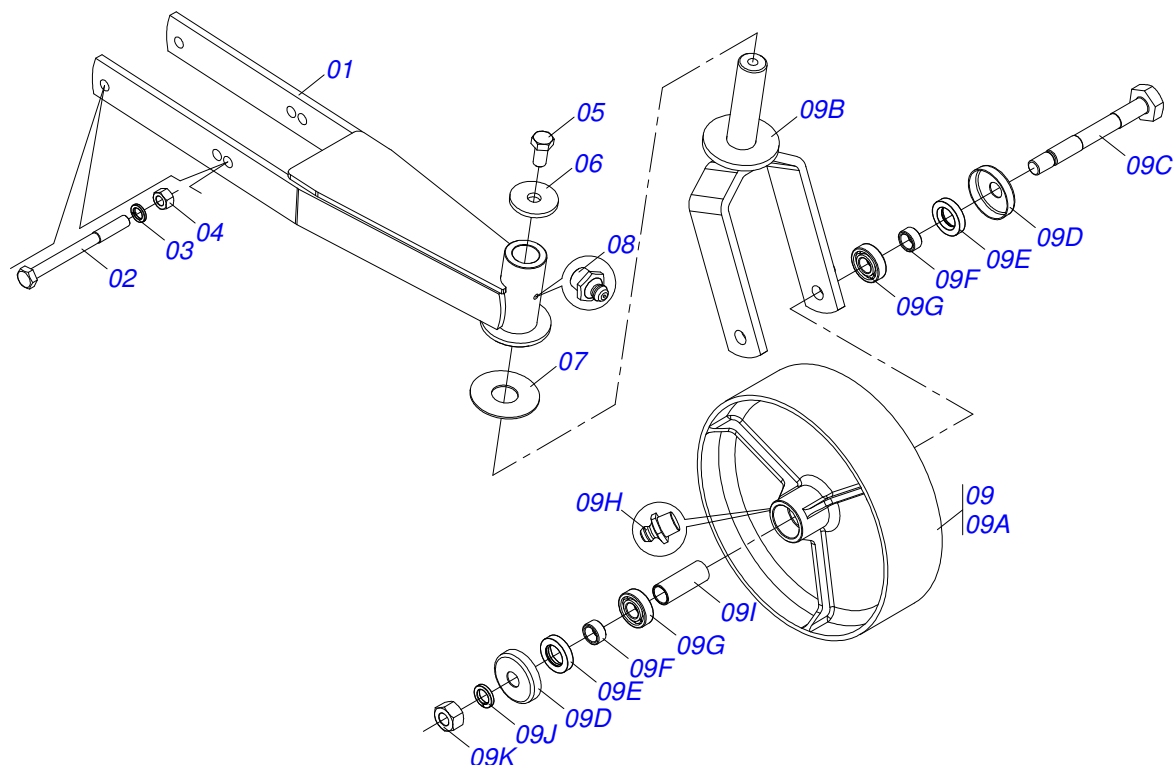
LEFT REAR CHAIN PROTECTION



Item	Code	Description	See page	QT
001	0501010984	FLAT WASHER		02
002	0501011600	1/2" X 1-1/4" BOLT		07
003	0503010019	1/2" SPRING WASHER		07
004	0503012682	1/2" BSW NUT		07
005	0503013759	NUT		02
006	0511011774	8,00 CHAIN 4 LINK		57
007	0511017302	FLAT WASHER		07
008	0581013041	BODY PROTECTION CENTRAL REAR CHAINS		01
009	0581013043	ROD CURRENT PROTECTION		01



Item	Code	Description	See page	QT
001	0503060100	OPERATOR'S MANUAL STORAGE TUBE		01
002	0503010267	NYLON CLAMP		01
003	0503010363	5/16" X 1" BOLT		01
004	0501010694	8.5 X 18 X 1.5 FLAT WASHER		01
005	0503010179	5/16" ZN SPRING WASHER		01
006	0503010337	5/16" NUT		01
007	0501031913			01



Item	Code	Description	See page	QT
01	0521065281	WHEEL SUPPORT		01
02	0503010795	5/8" X 7" BOLT		02
03	0503010027	5/8" SPRING WASHER		02
04	0503010013	5/8" NUT		02
05	0503010962	5/8" X 1-1/4" BOLT		01
06	0511010721	FLAT WASHER		01
07	0511013239	FLAT WASHER		01
08	0503010002	1800 GREASE FITTING		01
09	0501058460	CARRYING WHEELS		01
09A	0502012519	350 X 100 WHEEL ASSY		01
09B	0501065266	WHELL FORK		01
09C	0501017143	WHEEL AXLE		01
09D	0511014254	DUST CLOAK		02
09E	0503010268	00262-B SEAL		02
09F	0521010487	SPACER WASHER		02
09G	0503010269	6204 BALL BEARING		02
09H	0503010002	1800 GREASE FITTING		01
09I	0521010460	0.9" X 1.1" X 2.9" SLEEVE		01
09J	0503011442	3/4" SPRING WASHER		01
09K	0503010014	3/4" NUT		01



www.marchesan.com.br



Technical Publications | Elaboration and Revision
LUIZ CANDIDO