

**OFFSET DISK HARROW**

# **GAPCR-HD 8013 MECHANICAL ARTICULATED - 49D**

**Code:** 0501092848  
**Series:** S-0220  
**Revision:** 00  
**Date Revision:** JUNHO/2022

# **PARTS CATALOGUE**



**MARCHESAN**



# PRODUCTS

Code	Description
0102060355	GAPCR-HD 8013 49X36X9 DR DM ESPECIAL M FOLD S-0220

## ATTENTION: IMPORTANT

Marchesan S.A. reserves the right to improve and/or modify the technical features of its products, without obligation to do the same with those products already sold and without prior knowledge of the dealer or the consumer. The photos are only illustrative.

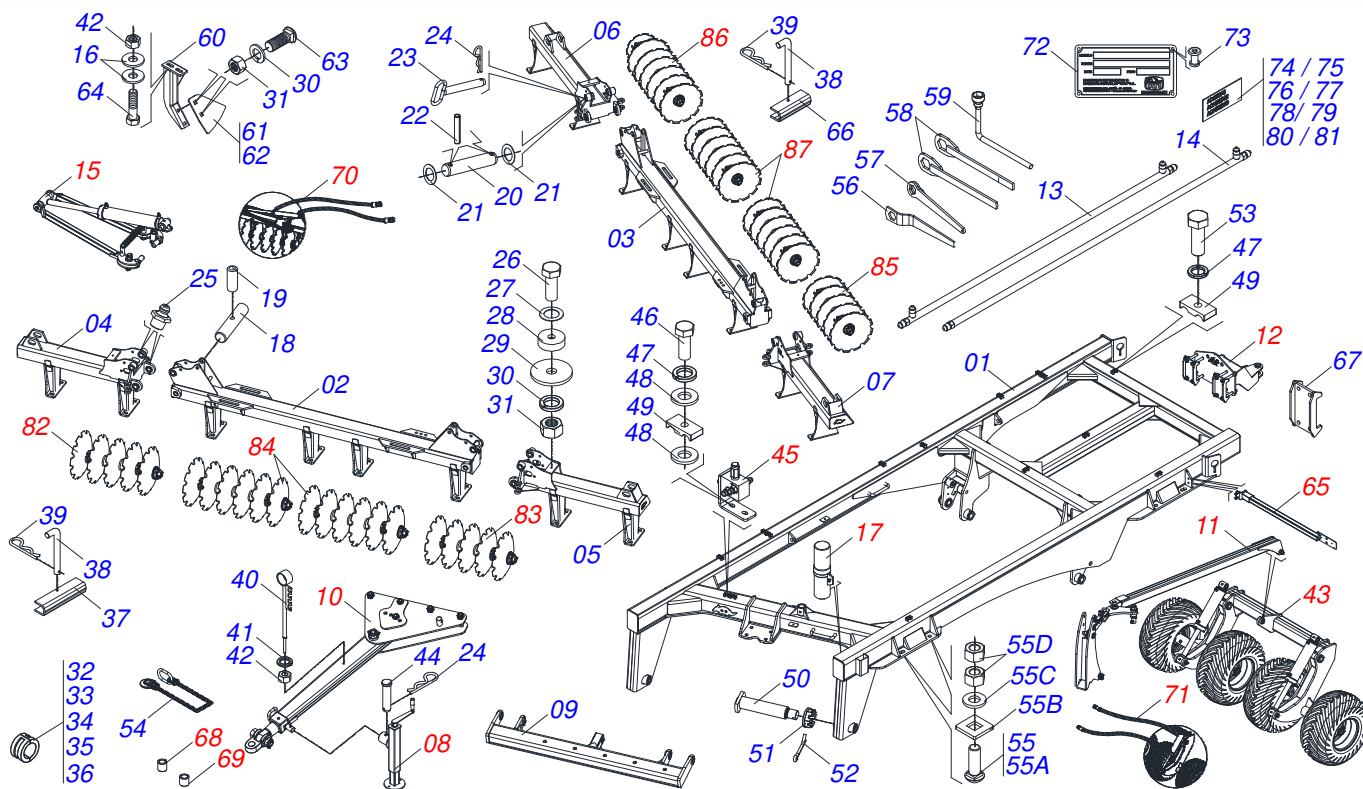


**MARCHESAN**

# INDEX

0909095448	FRAME ASSY	.....	1
0511048088	DRAWBAR JACK	.....	2
0521041823	ASSY TRACTION BAR (PIN 3)	.....	3
0909094820	HEAD ARTICULATED ASSY	.....	4
0511059199	STABILIZER BAR REGULATOR EXTENSOR	.....	5
0909092741	REAR COUPLING KIT	.....	6
0501053835	FEMALE QUICK COUPLER	.....	7
0909094821	ARTICULATION ASSY	.....	8
0511050181	LH FRONT/RH REAR ARTICULACION	.....	9
0511050182	RH FRONT/LH REAR ARTICULACION	.....	10
0511059197	HYDRAULIC CYLINDER 76,20 X 114,30 X 1085 X 715	.....	11
0521052000	ASSY PORT MANUAL INSTRUCCION	.....	12
0909098876	WHEELS ASSY	.....	13
0521058003	HIDRAULIC CYLINDER	.....	14
0501056467	STUB SHAFT & HUB ASSY	.....	15
0503060102	WHEEL AND TIRE	.....	16
0511059196	VALVE ASSY	.....	17
0909093685	LANTERN FIXING ASSY	.....	18
0909098870	RIGHT SIDE REAR DISC SECTION	.....	19
0909098871	LEFT SIDE REAR DISC SECTION	.....	20
0909098872	REAR CENTRAL DISC SECTION	.....	21
0909098873	FRONT CENTER DISC SECTION	.....	22
0909098874	FRONT SIDE FRONT DISC SECTION	.....	23
0909098875	LEFT SIDE FRONT DISC SECTION	.....	24
0511042290	13" X 2-1/2" OIL BATH BEARING	.....	25
0511045349	AGRICULTURAL BEARING	.....	26
0909094836	HYDRAULIC CIRCUIT FRAME ARTICULATE	.....	27
0501053834	MALE QUICK COUPLER	.....	28
0909094835	HYDRAULIC CIRCUIT OF THE WHEELS WITH VALVE CYLINDER	.....	29

FRAME ASSY



Item	Code	Description	See page	QT
01	0531040026	FRAME		01
02	0531060851	FRONT FRAME		01
03	0531060850	REAR FRAME		01
04	0531060852	RIGHT SIDE FRONT FRAME		01
05	0531060854	LEFT SIDE FRONT FRAME		01
06	0531060856	RIGHT SIDE REAR FRAME		01
07	0531060858	REAR FRAME		01
08	0511048088	DRAWBAR JACK	2	01
09	0521068250	HITCH BAR		01
10	0521041823	ASSY TRACTION BAR (PIN 3)	3	01
11	0909094820	HEAD ARTICULATED ASSY	4	01
12	0909092741	REAR COUPLING KIT	6	01
13	0521066126	DISTRIBUTOR OIL TUBE		02
14	0521066937	DUCT DISTRIBUTOR OF OIL		02
15	0909094821	ARTICULATION ASSY	8	04
16	0541010763	FLAT WASHER		180
17	0521052000	ASSY PORT MANUAL INSTRUCCION	12	01
18	0541016676	1.1/2 X 175 AXLE		04
19	0503013662	1/2" X 1" BOLT		04
20	0581015612	JUNCTION SHAFT 50,90 X 452		04
21	0511019776	FLAT WASHER		08
22	0503011069	0.4" X 2.8" SPRING PIN		08
23	0521068256	AXIS BLOCAGE 25,40 X 285		04
24	0503030012	HITCH PIN CLIP		05
25	0503010002	1800 GREASE FITTING		25
26	0503010233	5/8" X 2-1/2" BOLT		04
27	0571010265	16.5 X 40 X 3 FLAT WASHER		04
28	0581011153	FRAME BEAT		04
29	0571013284	17.5 X 90 X 4.75 FLAT WASHER		06
30	0503010027	5/8" SPRING WASHER		94
31	0503010013	5/8" NUT		94



## FRAME ASSY

0909095448

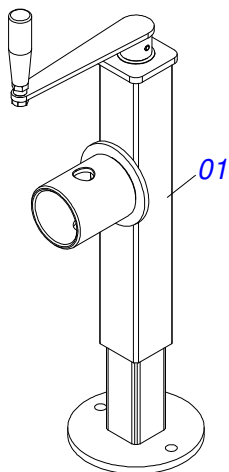
Item	Code	Description	See page	QT
32	0501047895	ROD STOP		04
33	0501047885	ROD STOP		02
34	0501047886	ROD STOP		02
35	0501047887	ROD STOP		02
36	0501047888	ROD STOP		02
37	0561016693	TRANSPORT LOCK		02
38	0541016844	FIXER LOCK		02
39	0503030285	HITCH PIN CLIP		02
40	0521062849	HOSE HOLDER ASSY		01
41	0503010023	3/4" SPRING WASHER		01
42	0503010014	3/4" NUT		97
43	0909098876	WHEELS ASSY	13	01
44	0561014251	COUPLING SHAFT		01
45	0511059196	VALVE ASSY	17	01
46	0503011173	7/16" X 2" BOLT		04
47	0503010180	7/16" SPRING WASHER		01
48	0501012803	FLAT WASHER		04
49	0502010477	HOSE CLAMP		18
50	0521063989	50,8 X 380 AXLE WITH LOCK		02
51	0501011301	1.1/2 UNC 6FPP 2.5/16 NUT		02
52	0503010010	1/4" X 2.1/2" COTTERPIN		02
53	0503011135	BOLT		12
54	0503013150	1300 X 3/8 CHAIN		01
55	0521040349	1-1/4" X 5.3/4" BOLT		08
55A	0501010954	1-1/4" X 5-3/4" BOLT		01
55B	0571010449	LOCK BOLT		01
55C	0571010448	32,50 X 75 X 16 SLEEVE		01
55D	0501010087	1.1/4" NUT		02
56	0501011432	1-1/2" AND 1-5/8 GANG BOLT WRENCH		01
57	0521062858	1.1/4" WRENCH NUT		01
58	0501061044	2-1/8" AND 2-1/2" CABLE FLAT WRENCH		02
59	0503016137	1-1/4" WRENCH CABLE CYLINDER		01
60	0511064771	FRONT SCRAPER SUPPORT		22
61	0521013678	FRONT CLEANER		11
62	0521013679	REAR CLEANER		11
63	0503012195	5/8" NUT		90
64	0501010500	3/4"X3"BOLT		90
65	0909093685	LANTERN FIXING ASSY	18	02
66	0551019515	LATCH SHIPPING		01
67	0531060843	FIXER CLAW		01
68	0571013174	SLEEVE		01
69	0571013175	SLEEVE		01
70	0909094836	HYDRAULIC CIRCUIT FRAME ARTICULATE	27	01
71	0909094835	HYDRAULIC CIRCUIT OF THE WHEELS WITH VALVE CYLINDER	29	01
72	0503034003	SERIAL NUMBER TAG 61 X 118		01
73	0503010001	3.2 X 5.5 RIVET		01
74	0503031428	READ MANUAL DECAL		01
75	0503031738	ADHESIVE LABEL		01
76	0503031087	ADHESIVE LABEL		01
77	0503031739	ADHESIVE LABEL		01
78	0503031827	LUBRICATE AND RETIGHTEN DAILY DECAL		01
79	0503031896	DANGER DECAL		01
80	0503034064	ADHESIVE		01
81	0503033428	ADHESIVE LABEL		01
82	0909098874	FRONT SIDE FRONT DISC SECTION	23	01
83	0909098875	LEFT SIDE FRONT DISC SECTION	24	01
84	0909098873	FRONT CENTER DISC SECTION	22	01
85	0909098871	LEFT SIDE REAR DISC SECTION	20	01



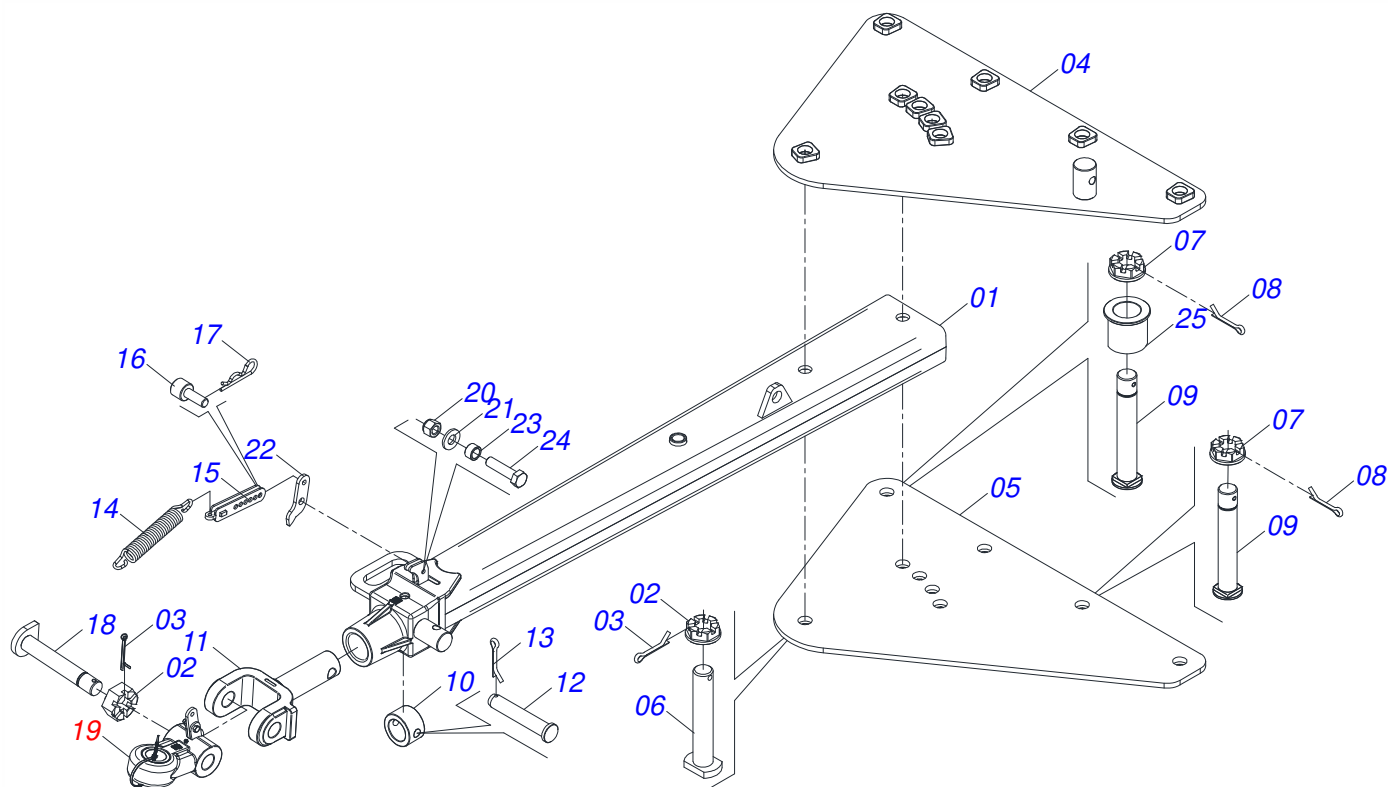
FRAME ASSY

0909095448

Item	Code	Description	See page	QT
86	0909098870	RIGHT SIDE REAR DISC SECTION	19	01
87	0909098872	REAR CENTRAL DISC SECTION	21	01

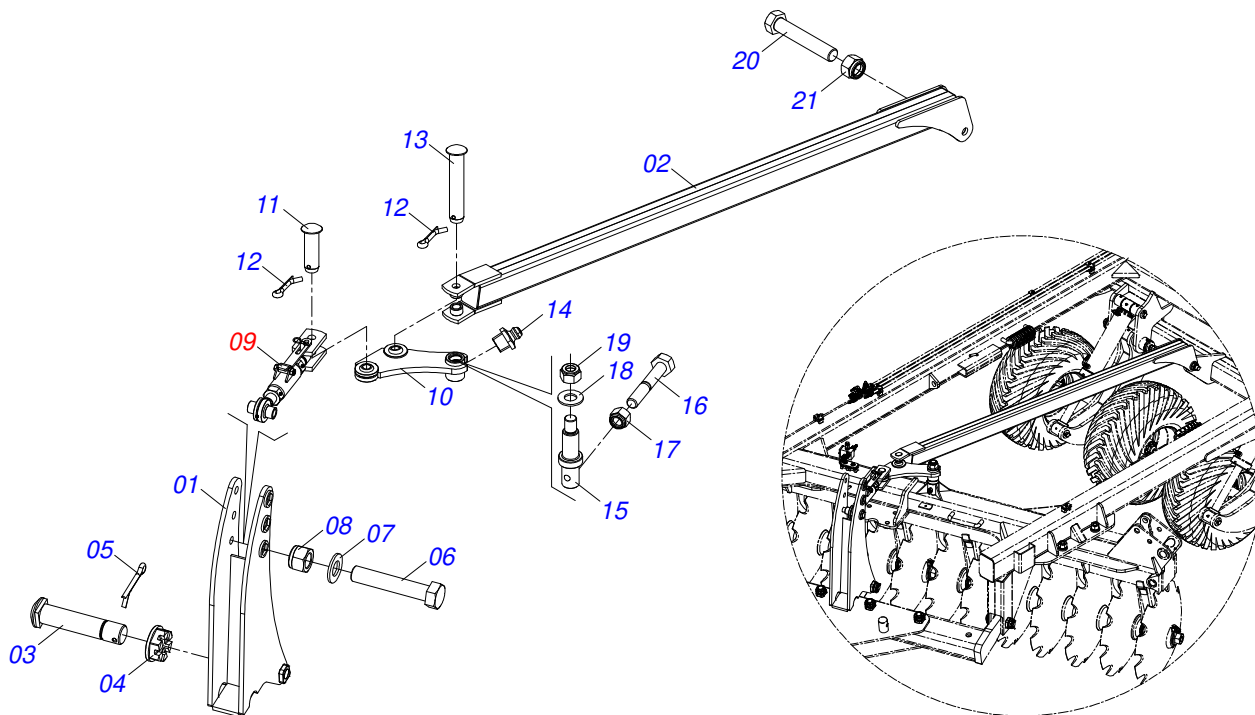


Item	Code	Description	See page	QT
01	0503062227	DRAWBAR JACK		01

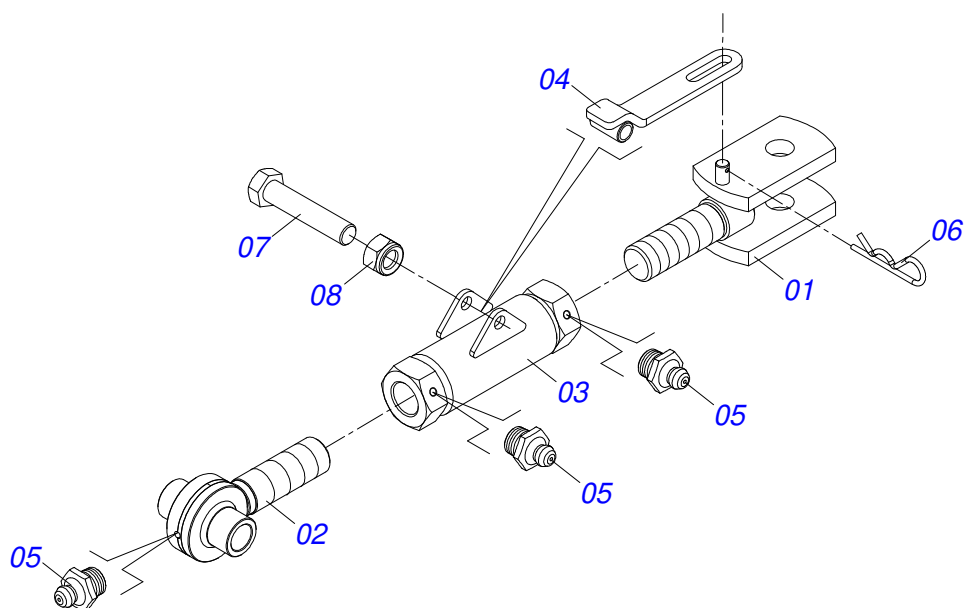


Item	Code	Description	See page	QT
01	0521068249	BAR TRACTION (AXLE 2)		01
02	0502040558	2" CASTLE NUT		02
03	0503010074	3/8 X 0,15" COTTERPIN		02
04	0521068246	UPPER PLATE (AXLE 2)		01
05	0521068247	LOWER PLATE (AXLE 2)		01
06	0521068248	SHAFT JUNCTION WITH LOCK (50,80 X 273)		01
07	0501811301	CASTLE NUT		05
08	0503010010	1/4" X 2.1/2" COTTERPIN		05
09	0521811880	37,50 X 230 X PQ R.1/2 JUNCTION AXLE		05
10	0502040263	ANEL TRAVA ENGATE		01
11	1902040897	TRACTOR HITCH		01
12	0561017306	COUPLING SHAFT		01
13	0503010523	1/4" X 2" COTTERPIN		01
14	0503031741	1.8" X 11.4" 0.3" TRACTION SPRING		01
15	0531061607	SPRING REGULATOR		01
16	0591014558	SPRING REGULATOR FIXER AXLE		01
17	0503030285	HITCH PIN CLIP		01
18	0531061122	AXIS ARTICULATOR		01
19	0531040171	ASSY HITCH		01
20	0503010589	1/2" UNC SELF ADJUSTING NUT		01
21	0501010937	13.5 X 28 X 3 FLAT WASHER		01
22	0591014554	REAR EAR FIXING SPRING		01
23	0591014552	SLEEVE		01
24	0503010740	BOLT 1/2 UNC X 2 CS G.5 ZN		01
25	0591013086	SLEEVE		01

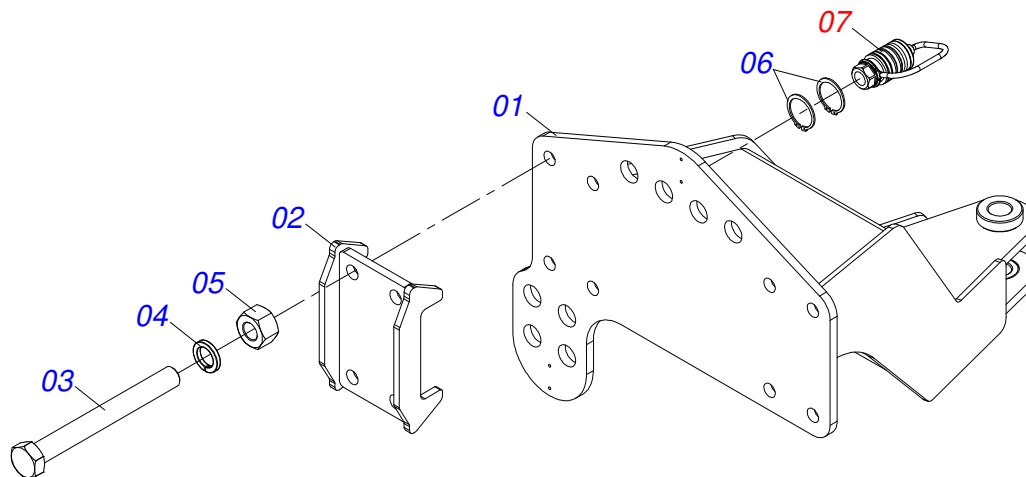




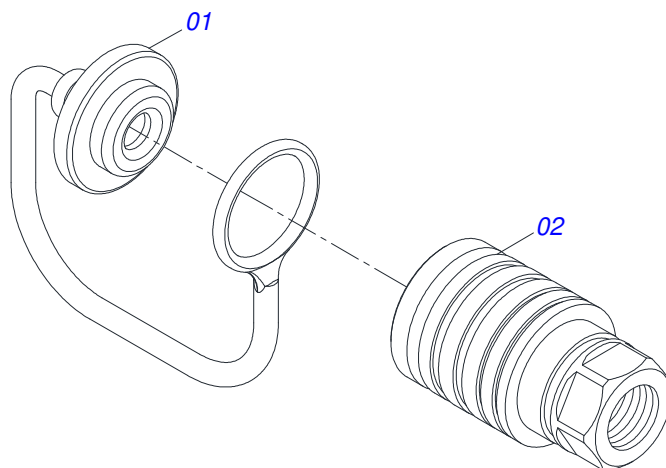
Item	Code	Description	See page	QT
01	0521066758	HEADER ARTICULATOR		01
02	0521066759	STABILIZER BAR		01
03	0521012053	1.5" X 8.6" AXLE		01
04	0501011301	1.1/2 UNC 6FPP 2.5/16 NUT		01
05	0503010010	1/4" X 2.1/2" COTTERPIN		01
06	0521017351	1-1/4" X 8" BOLT		01
07	0501017779	32 X 60 X 4.75 FLAT WASHER		01
08	0503010817	1.1/4" SELF LOCKING NUT		01
09	0511059199	STABILIZER BAR REGULATOR EXTENSOR	5	01
10	0521066960	ARTICULADOR STABILIZER BAR		01
11	0521010780	1.2" X 4.5" COUPLING SHAFT		01
12	0503010523	1/4" X 2" COTTERPIN		02
13	0581811919	AXIS JUNCTION		01
14	0503010002	1800 GREASE FITTING		01
15	0581011775	EJE PIVOT SHAFT STABILIZER BAR		01
16	0501010216	3/4" X 4-1/2" BOLT		01
17	0503011075	3/4" UNC NUT		01
18	0501010287	FLAT WASHER		01
19	0503010290	SELF ADJUSTING 1.1/2" UNF NUT		01
20	0503013321	SCREW 1.1/4 UNF X 7 C S G.8 ZN		01
21	0503010817	1.1/4" SELF LOCKING NUT		01



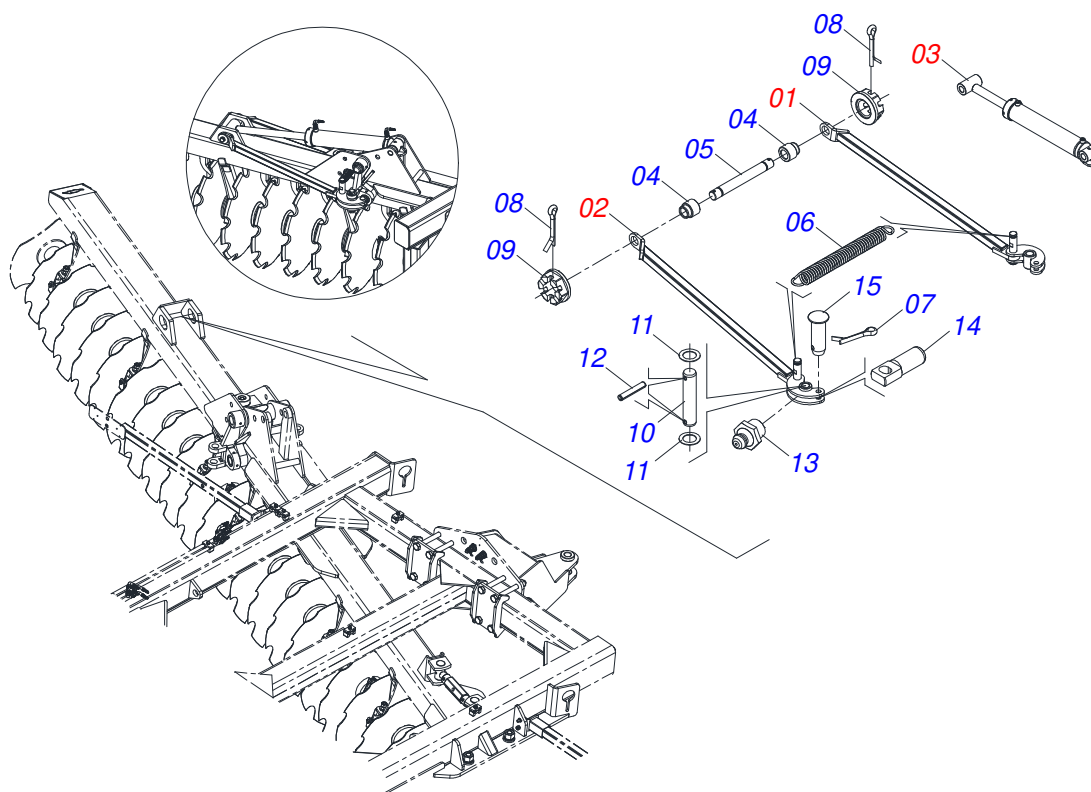
Item	Code	Description	See page	QT
01	0521066962	JACK CRANK C/O. R.1.3/4 ESQUERDO		01
02	0521066965	JACK CRANK NUT FIXER R.1.3/4 UNC DIREITO		01
03	0521066963	ADJUSTMENT NUT R.1.3/4 UNC (245)		01
04	0521066964	LEVER STABILIZER OF TENSOR REGULATOR		01
05	0503010002	1800 GREASE FITTING		03
06	0503030285	HITCH PIN CLIP		01
07	0503010806	5/8" X 3" BOLT		01
08	0503010878	5/8" SELF ALIGNING NUT		01



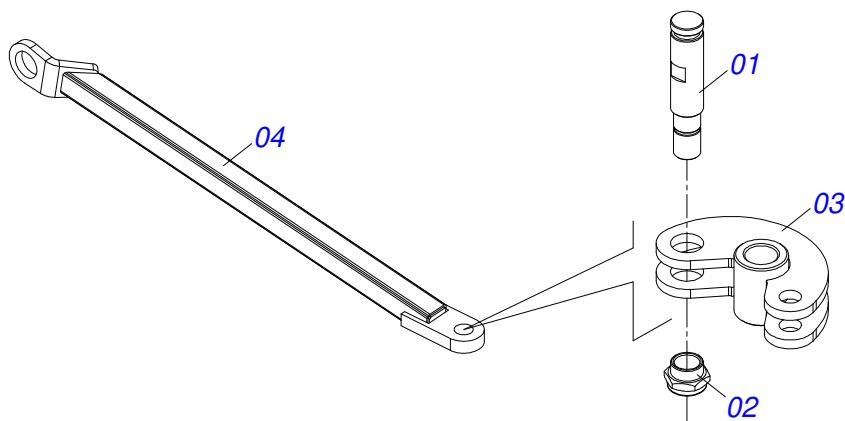
Item	Code	Description	See page	QT
01	0521065966	REAR HITCH		01
02	0521065965	FIXER CLAW		02
03	0501010064	1" X 9" BOLT		08
04	0503010012	1" SPRING WASHER		08
05	0501010059	1.5/8 NUT		08
06	0503010217	501040 CLAMPING RING (FOR AXLE)		04
07	0501053835	FEMALE QUICK COUPLER	7	02



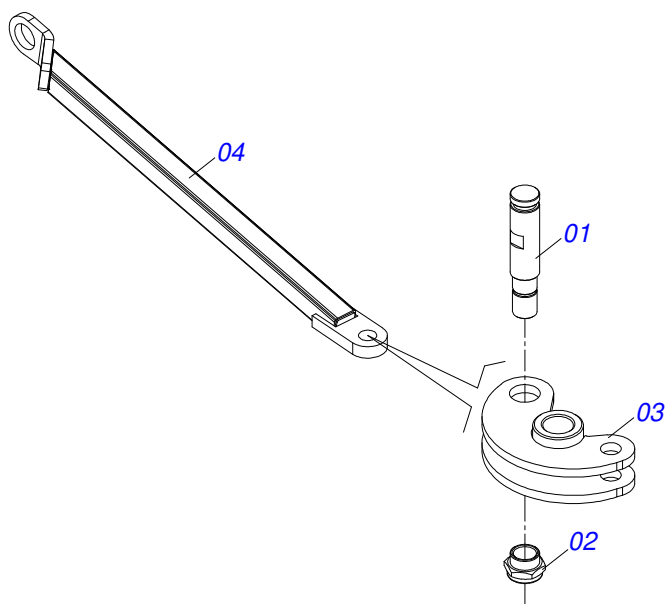
Item	Code	Description	See page	QT
01	0503011883	QUICK CONNECTION COVER		01
02	0503011628	FEMALE QUICK COUPLER		01



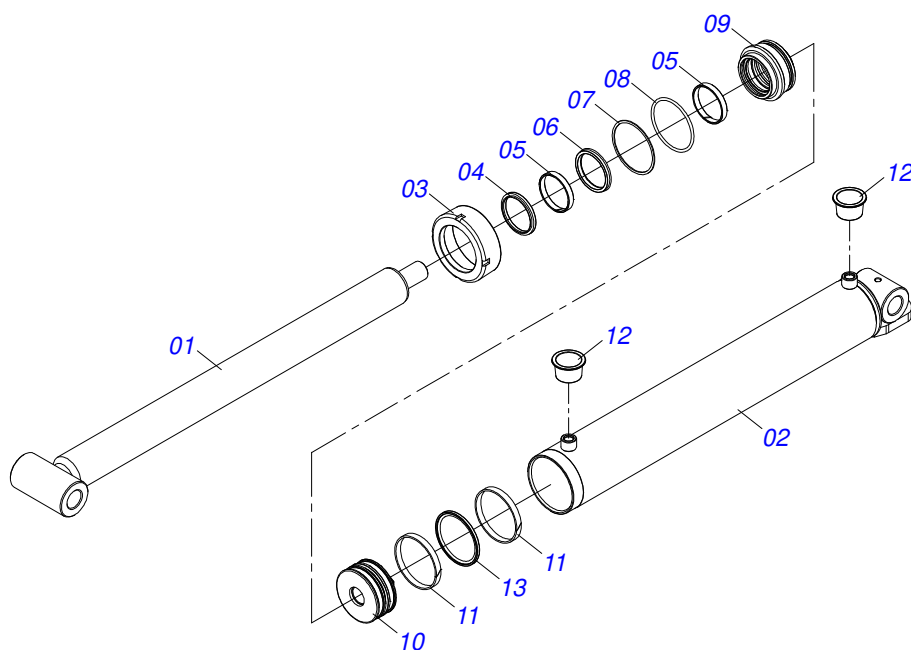
Item	Code	Description	See page	QT
01	0511050181	LH FRONT/RH REAR ARTICULACION	9	04
02	0511050182	RH FRONT/LH REAR ARTICULACION	10	04
03	0511059197	HYDRAULIC CYLINDER 76,20 X 114,30 X 1085 X 715	11	04
04	0541016614	38,20 X 62 X 61 SLEEVE		08
05	0501210091	ARTICULATOR PIVOT AXIS		04
06	0503034605	SPRING TRACTION 50,70 X 411 X 6,35		04
07	0503010571	1/4" X 1.1/2 COTTERPIN		08
08	0503010010	1/4" X 2.1/2" COTTERPIN		08
09	0501011301	1.1/2 UNC 6FPP 2.5/16 NUT		08
10	0541016677	37,20 X 177 COUPLING SHAFT		08
11	0511019685	FLAT WASHER		16
12	0503010361	SPRING PIN		16
13	0503010002	1800 GREASE FITTING		02
14	0561013283	LOCK AXLE FRAME		08
15	0521010572	0.9" X 2.9" COUPLING SHAFT		08



Item	Code	Description	See page	QT
01	0561014074	LOCK AXLE		01
02	0541019258	1.1/4 ADJUSTING NUT		01
03	0521060779	LOCK PIN		01
04	0521060770	FRONT ARTICULACION ARM		01

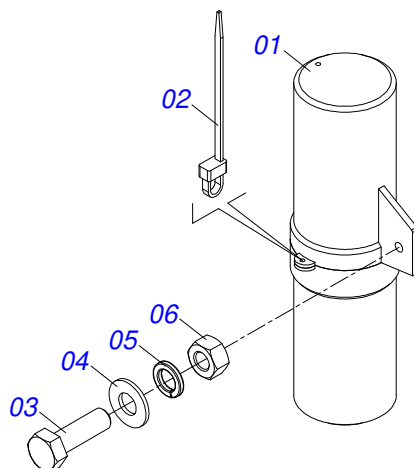


Item	Code	Description	See page	QT
01	0561014074	LOCK AXLE		01
02	0541019258	1.1/4 ADJUSTING NUT		01
03	0521060779	LOCK PIN		01
04	0521060771	ARTICULATION ARM ASSY		01



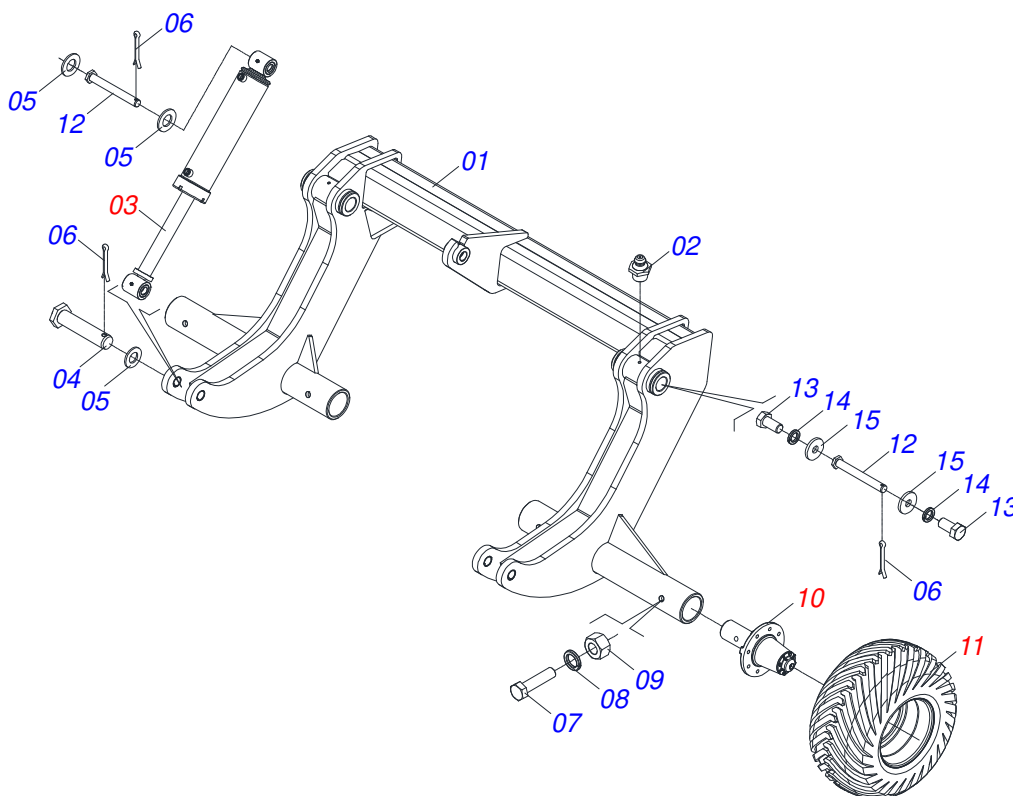
Item	Code	Description	See page	QT
01	0521060777	TURNBUCKLE 76,20 X 1020,50 CRO 7012		01
02	0521067412	SHIRT 114.30 X 897.50 WITH BEATER		01
03	0502012629	MOBILE COVER 114,30 (E. 76,20)		01
04	0503012642	D-3000 SCRAPER RING		01
05	0503013553	SEAL RING		02
06	0503013552	GASKET		01
07	0503011893	BACK-UP RING, 8-346		01
08	0503011892	O' RING, 2-346 N 3006-9B		01
09	0502012628	RING SUPPORT 76,30 X 114,20 GCRO		01
10	0502012477	114,30 PISTON		01
11	0503011891	W2-4500-500 RING G.E		02
12	0503030384	CON PLUG N-001		02
13	0503014692	OE 114,3 GASKET		01



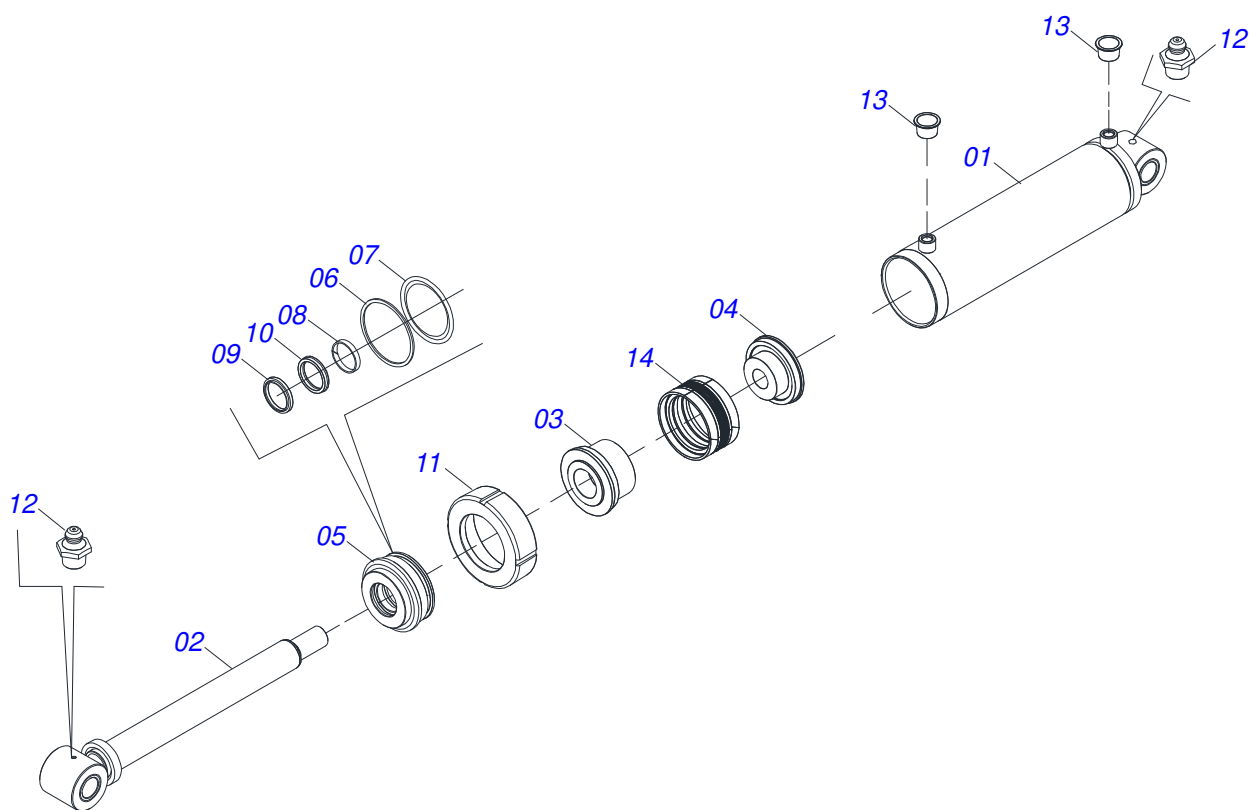


Item	Code	Description	See page	QT
01	0503060100	OPERATOR'S MANUAL STORAGE TUBE		01
02	0503010267	NYLON CLAMP		01
03	0503010363	5/16" X 1" BOLT		01
04	0501010694	FLAT WASHER		01
05	0503010179	LOCK WASHER		01
06	0503010337	5/16" NUT		01
07	0511032995	BAG WITH INSTRUCTION MANUAL		01

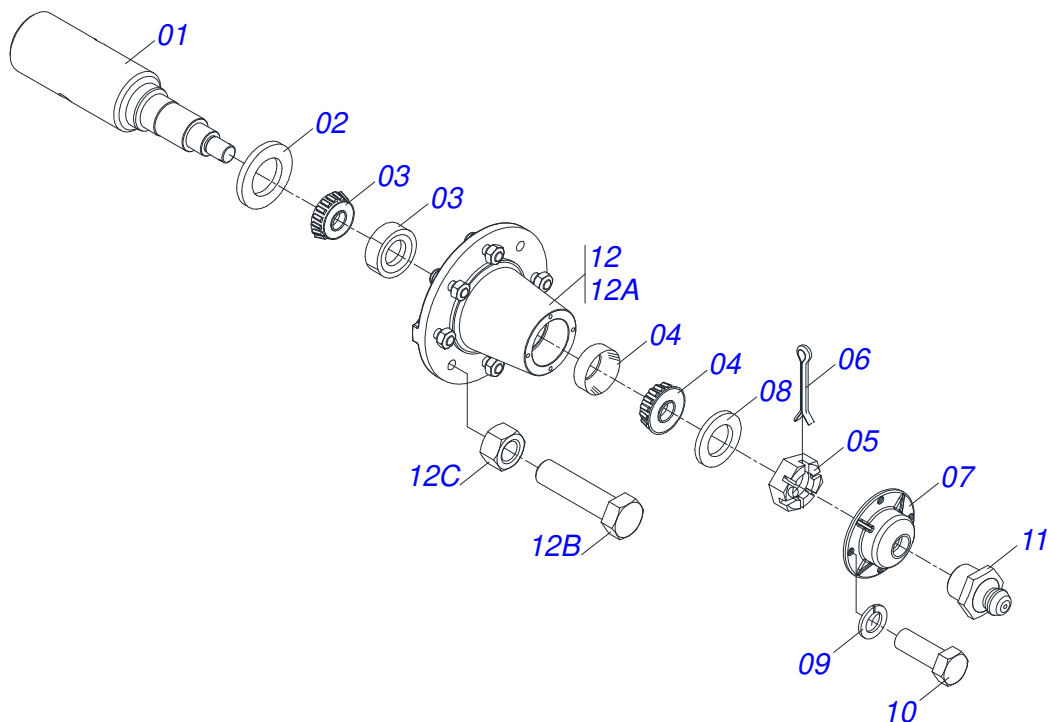
WHEELS ASSY



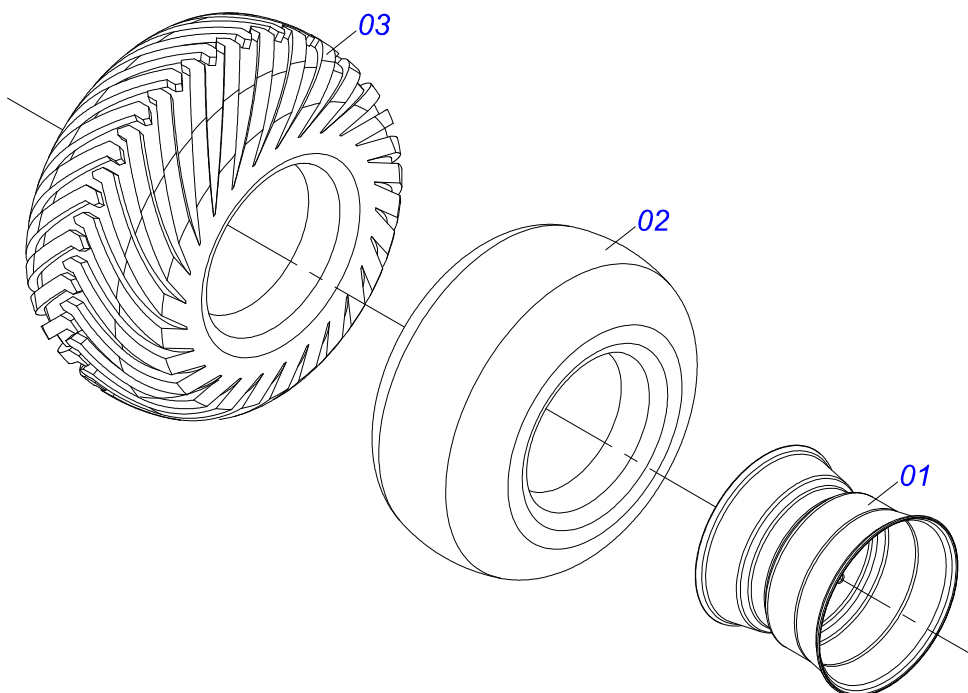
Item	Code	Description	See page	QT
01	0531060840	WHEEL		01
02	0503010002	1800 GREASE FITTING		02
03	0521058003	HIDRAULIC CYLINDER	14	02
04	0531060841	CYLINDER AXLE		02
05	0501012916	FLAT WASHER 38,50 X 66 X 4,75 ZN		08
06	0503010534	3/8 X 2-1/2 COTTERPIN		08
07	0503011198	C3/4" X 6" SCREW		02
08	0503010023	3/4" SPRING WASHER		02
09	0503010014	3/4" NUT		02
10	0501056467	STUB SHAFT & HUB ASSY	15	02
11	0503060102	WHEEL AND TIRE	16	02
12	0531060842	CYLINDER AXLE		02
13	0503011250	1" X 2" BOLT		04
14	0503010012	1" SPRING WASHER		04
15	0521011565	FLAT WASHER		04



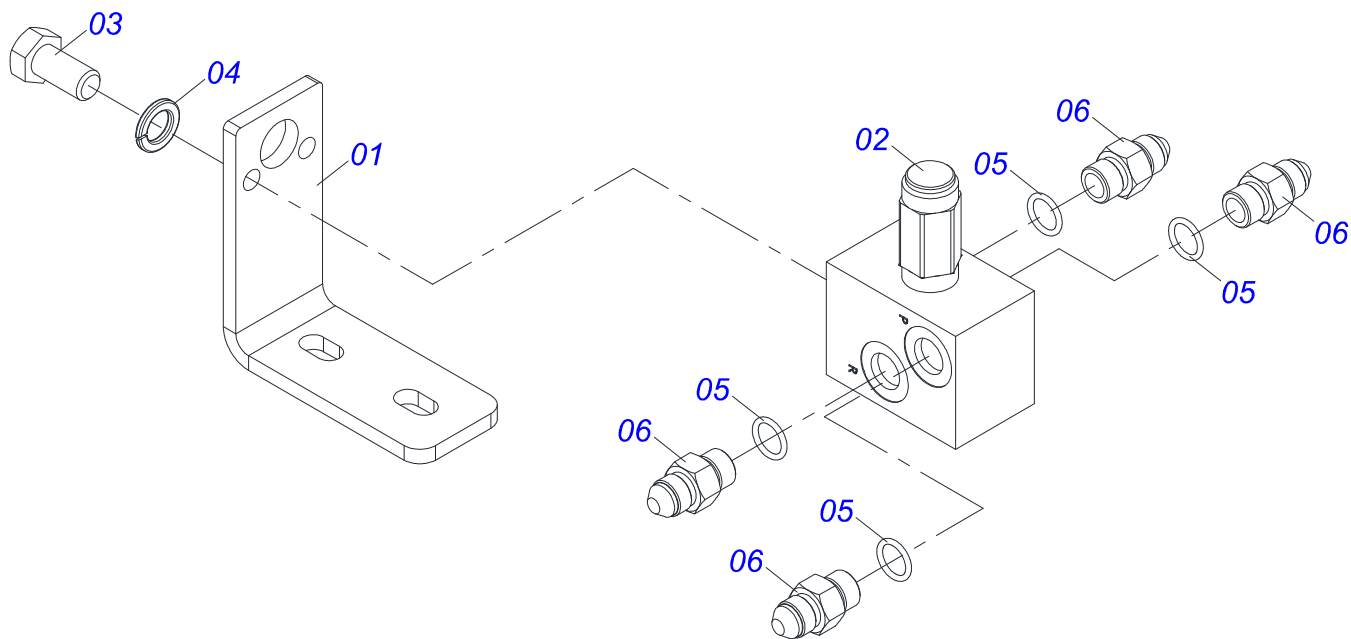
Item	Code	Description	See page	QT
01	0531060846	CYLINDER CASE		01
02	0531060845	TURNBUCKLE		01
03	0561016583	PISTON BODY		01
04	0502012645	PISTON BODY		01
05	0502012646	RING SUPPORT		01
06	0503011062	8-425 BACK-UP RING		01
07	0503010351	2-425 N 3006-9B O'RING		01
08	0503015641	WEAR RING		01
09	0503015642	U-CUP SEALING		01
10	0503015715	SCRAPER SEALING		01
11	0502010382	5" END CAP		01
12	0503010002	1800 GREASE FITTING		02
13	0503030384	CON PLUG N-001		02
14	0503015643	SEAL		01



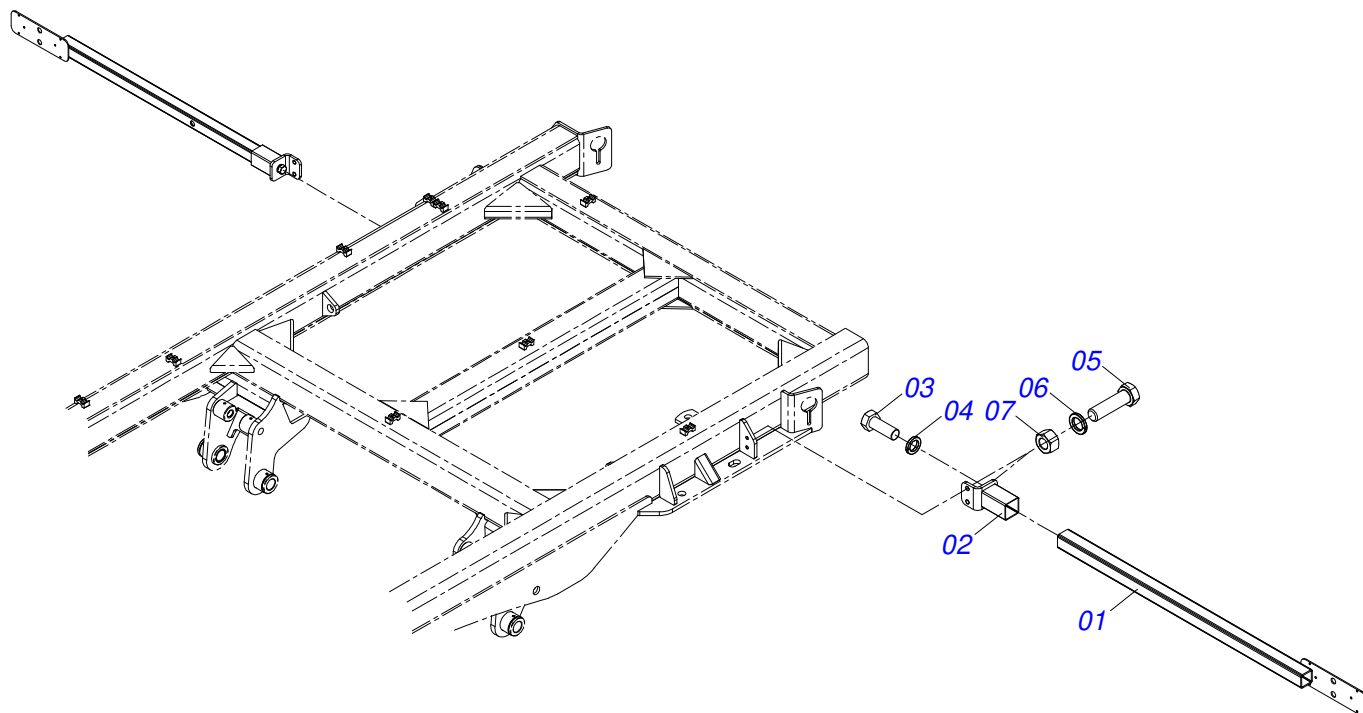
Item	Code	Description	See page	QT
01	0541016566	POINT AXIS 3.1/2 X 375		01
02	0503013314	RETAINER 5166-GB 63,5 X 110 X 13 ARCA		01
03	0503015290	3780/3720 ROLLER BEARING		01
04	0503014821	ROLLER BEARING		01
05	0503830009	1" X 0.9" CASTLE NUT		01
06	0503010018	5/32 X 1-1/2 COTTERPIN		01
07	0502020591	PROTECCION COVER		01
08	0511812492	FLAT WASHER		01
09	0503011444	SPRING WASHER		04
10	0503810358	5/16" X 7/8" UNC BOLT		04
11	0503010002	1800 GREASE FITTING		01
12	0501110738	CARRYING WHEEL HUB		01
12A	0502012260	TRANSPORT WHEEL BOX		01
12B	0501010186	WHEEL SCREW 5/8UNF X 2.1/8CR		08
12C	0503010064	5/8 UNF CONIC NUT		08



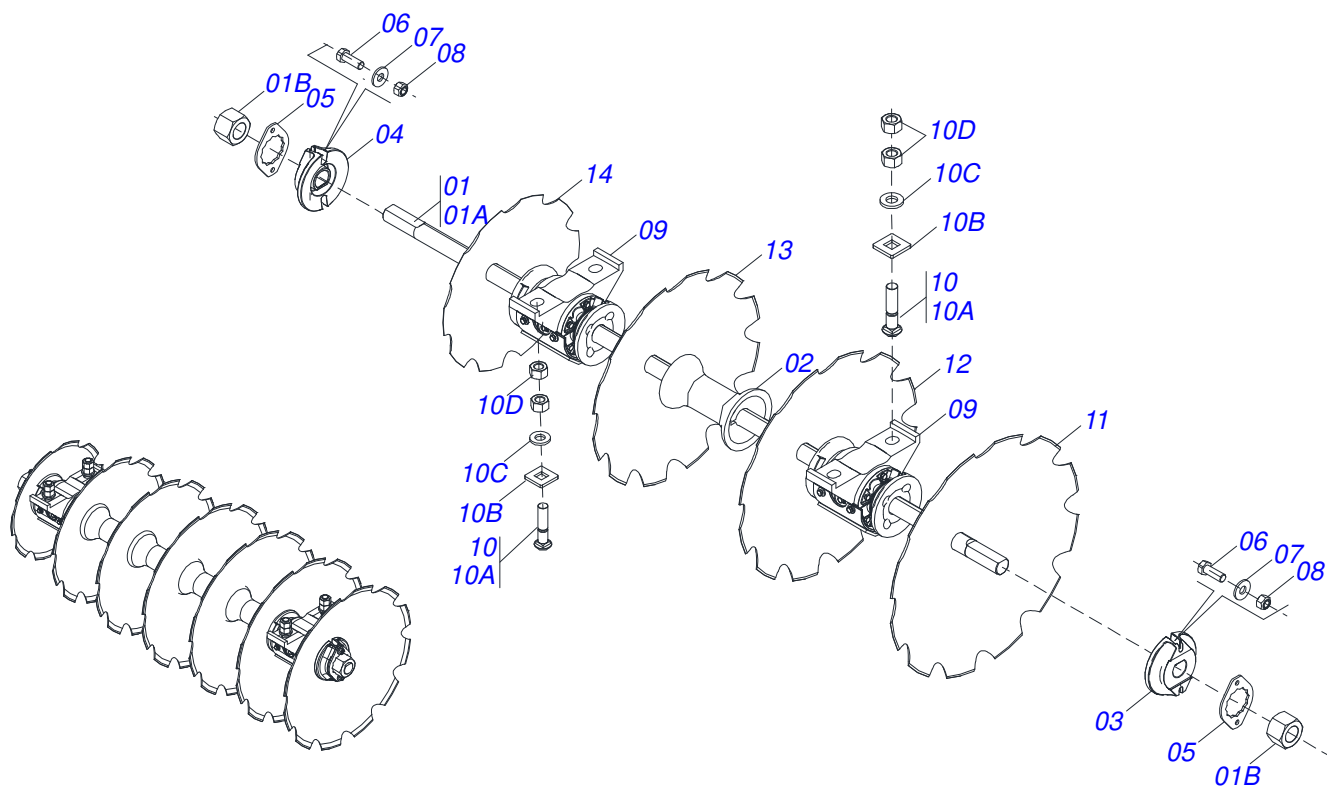
Item	Code	Description	See page	QT
01	0501069483	WHEEL		01
02	0503012112	400/60 - 15.5 TR 15 INNER TIRE		01
03	0503013119	CANVAS TIRE		01



Item	Code	Description	See page	QT
01	0581011745	VALVE SUPPORT		01
02	0503010919	DISCHARGE VALVE		01
03	0503011334	BOLT 3/8 UNC X 3/4 CS G.5 ZN		02
04	0503010025	3/8" SPRING WASHER		02
05	0503010190	2-114 N 3006-9B O'RING		04
06	0501010617	3/4" NIPPLE		04



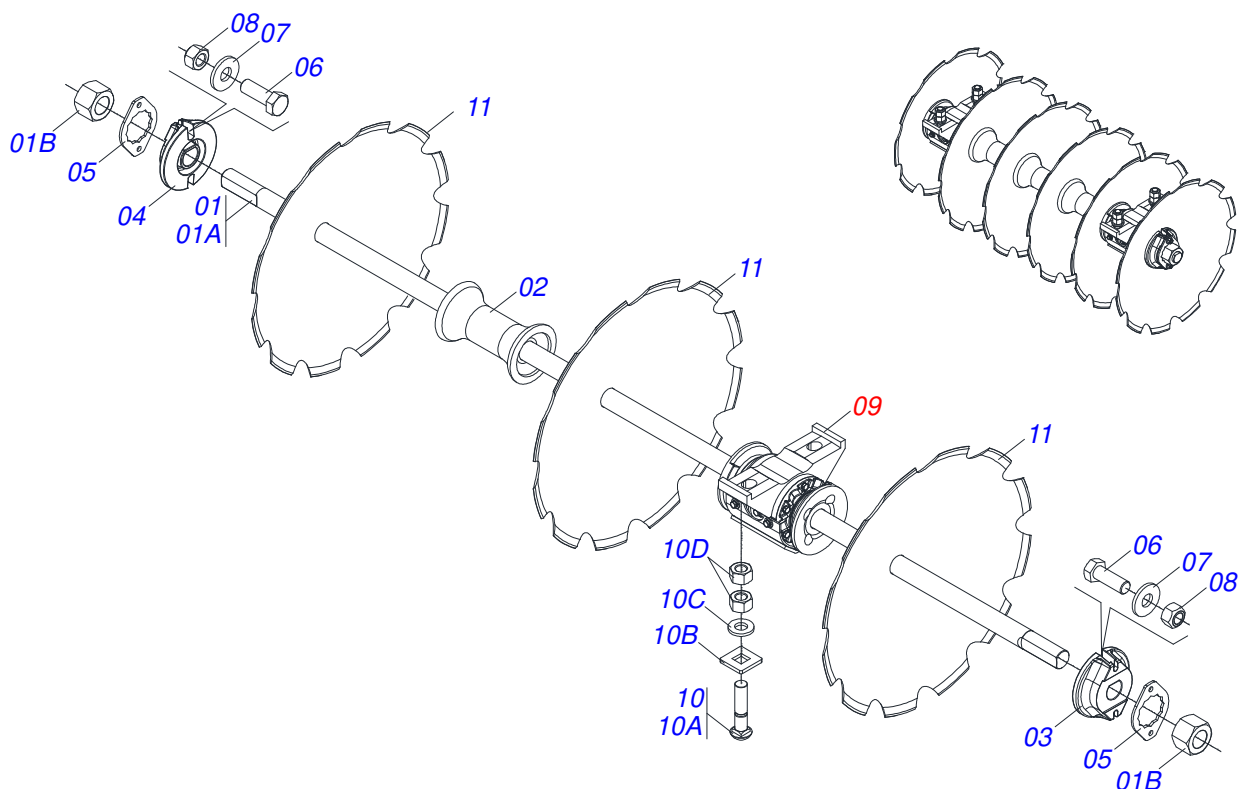
Item	Code	Description	See page	QT
01	0521066443	SUPPORT FIXER LANTERN		02
02	0521066624	FIXER SUPPORT LANTERN		02
03	0501010098	3/4" UNC BOLT		02
04	0503010023	3/4" SPRING WASHER		02
05	0503011082	C1/2" X 1.3/4" SCREW		04
06	0503010019	1/2" SPRING WASHER		04
07	0503010060	1/2" NUT		04



Item	Code	Description	See page	QT
01	0511042421	2-1/2" X 91.7" AXLE WITH NUTS		01
01A	0541011893	2-1/2" X 91.7" AXLE		01
01B	0502040064	2.1/2"SNC X 70 99 NUT		02
02	0502011425	13" X 2-1/2" SPACER		02
03	0502010592	2-1/2" INNER AXLE WASHER		01
04	0502010593	2-1/2" EXTERNAL AXLE WASHER		01
05	0541010368	NUT LOCK		02
06	0503010232	5/8" X 1.3/4" BOLT		04
07	0501012140	FLAT WASHER		04
08	0503012412	5/8 UNC SELF LOCKING NUT		04
09	0511042290	13" X 2-1/2" OIL BATH BEARING	25	02
10	0501041301	1-1/4"X 5-3/4" ASSY BOLT		04
10A	0501010954	1-1/4" X 5-3/4" BOLT		04
10B	0501010953	1-1/4" SQUARE WASHER		04
10C	0531010713	FLAT WASHER		04
10D	0501010087	1.1/4" NUT		08
11	0602048063	36" X 0.3" NOTCHED DISC BLADE		04
12	0602046001	34" X 0.3" NOTCHED DISC BLADE		01
13	0602044155	32" X 9 NOTCHED DISC BLADE		01
14	0602033922	26 X 7,5 NOTCHED DISC 10REC (D082) 10REC TATU		01

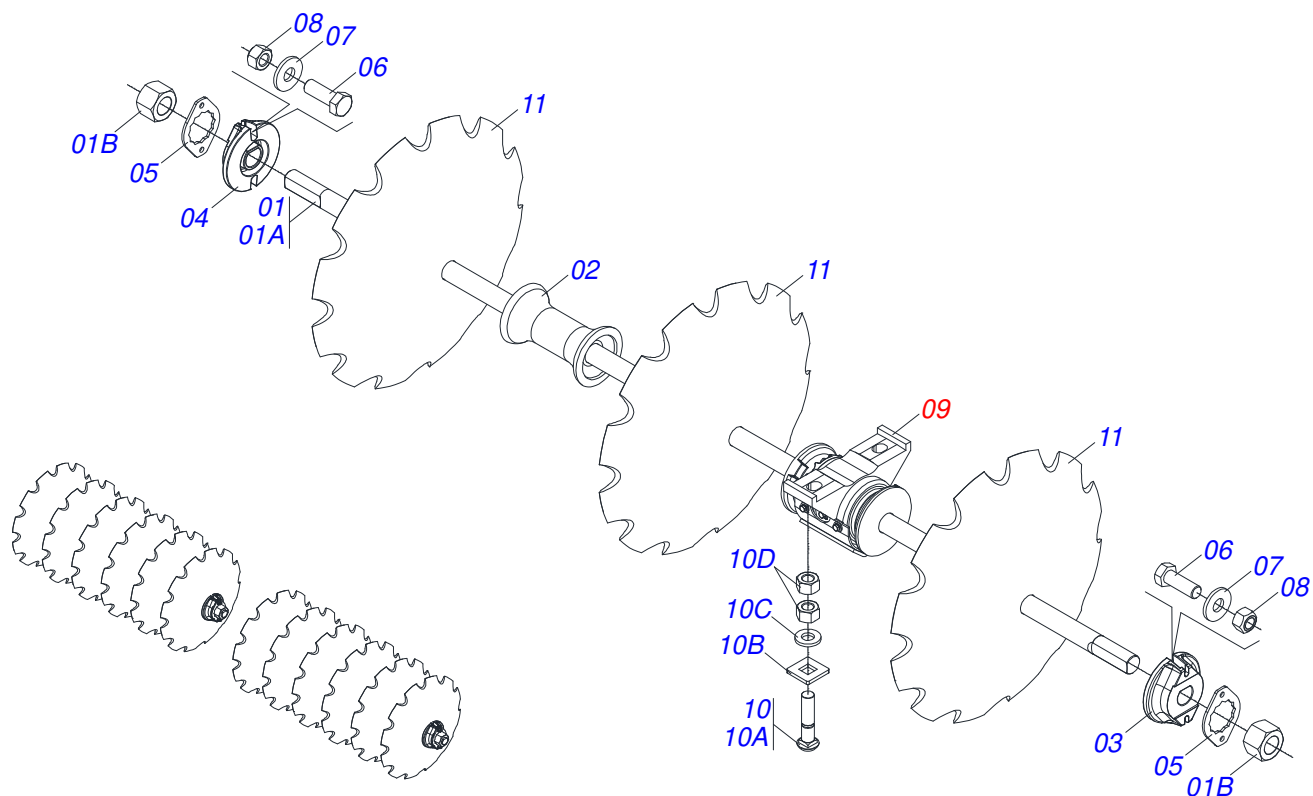


LEFT SIDE REAR DISC SECTION

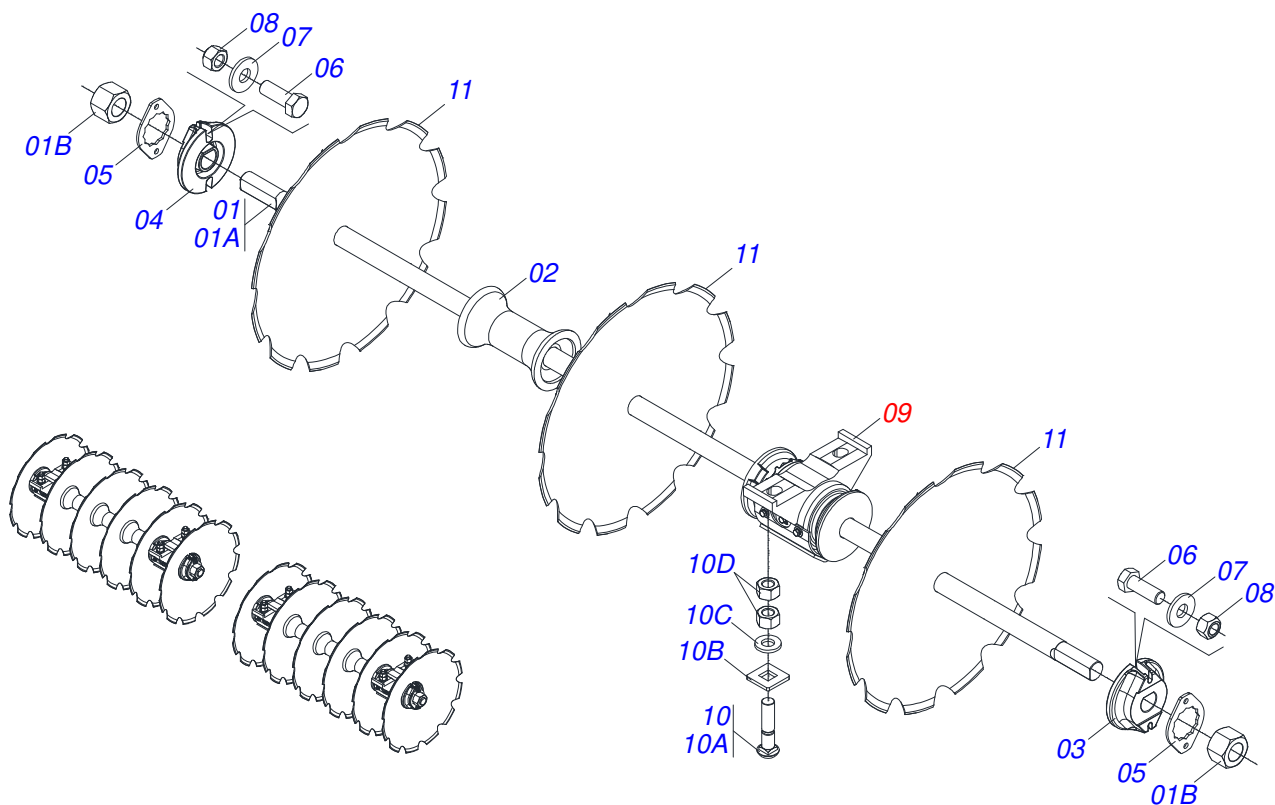


Item	Code	Description	See page	QT
01	0511042484	2-1/2" X 78" AXLE WITH NUTS		01
01A	0541012129	2-1/2" X 78" AXLE		01
01B	0502040064	2.1/2"SNC X 70 99 NUT		02
02	0502011425	13" X 2-1/2" SPACER		03
03	0502010592	2-1/2" INNER AXLE WASHER		01
04	0502010593	2-1/2" EXTERNAL AXLE WASHER		01
05	0541010368	NUT LOCK		02
06	0503010232	5/8" X 1.3/4" BOLT		04
07	0501012140	FLAT WASHER		04
08	0503012412	5/8 UNC SELF LOCKING NUT		04
09	0511042290	13" X 2-1/2" OIL BATH BEARING	25	02
10	0501041301	1-1/4"X 5-3/4" ASSY BOLT		04
10A	0501010954	1-1/4" X 5-3/4" BOLT		04
10B	0501010953	1-1/4" SQUARE WASHER		04
10C	0531010713	FLAT WASHER		04
10D	0501010087	1.1/4" NUT		08
11	0602048063	36" X 0.3" NOTCHED DISC BLADE		06

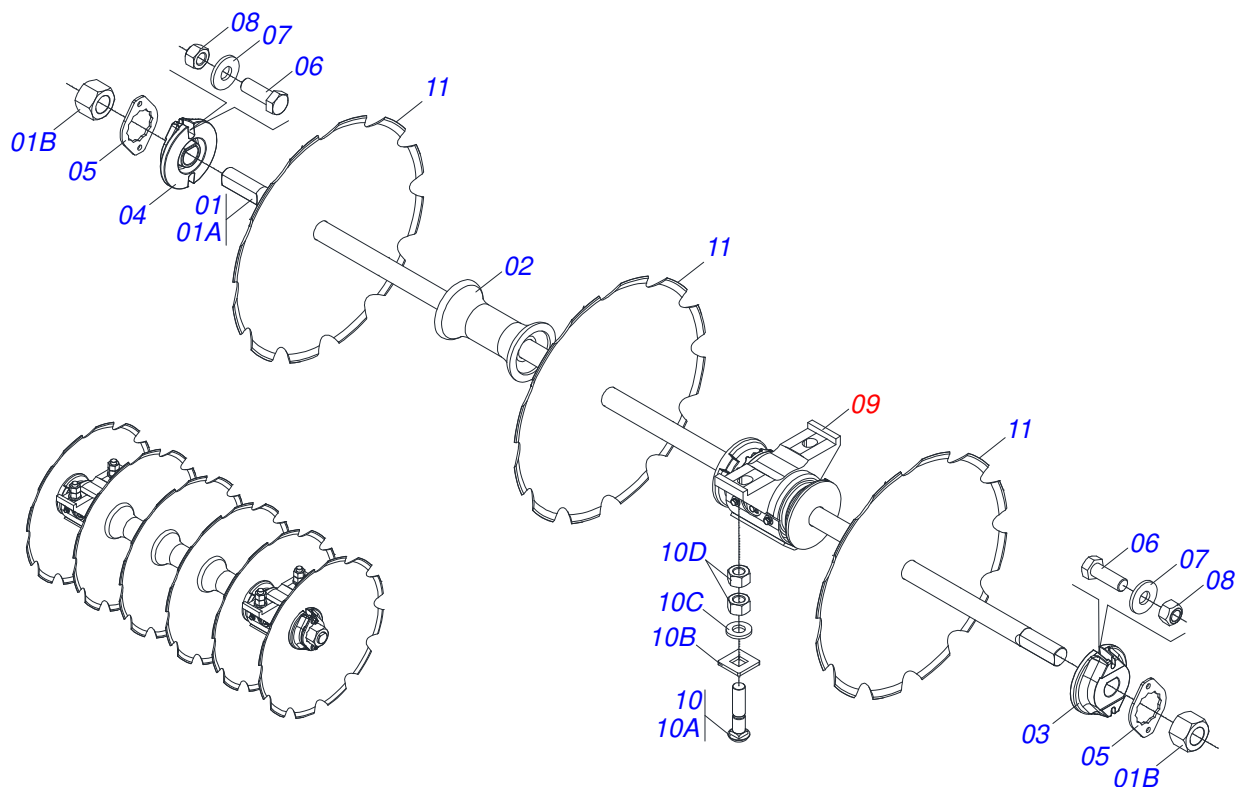
REAR CENTRAL DISC SECTION



Item	Code	Description	See page	QT
01	0511042484	2-1/2" X 78" AXLE WITH NUTS		02
01A	0541012129	2-1/2" X 78" AXLE		02
01B	0502040064	2.1/2"SNC X 70 99 NUT		04
02	0502011425	13" X 2-1/2" SPACER		06
03	0502010593	2-1/2" EXTERNAL AXLE WASHER		04
04	0502010592	2-1/2" INNER AXLE WASHER		04
05	0541010368	NUT LOCK		04
06	0503010232	5/8" X 1.3/4" BOLT		08
07	0501012140	FLAT WASHER		08
08	0503012412	5/8 UNC SELF LOCKING NUT		08
09	0511042290	13" X 2-1/2" OIL BATH BEARING	25	08
10	0501041301	1-1/4"X 5-3/4" ASSY BOLT		08
10A	0501010954	1-1/4" X 5-3/4" BOLT		08
10B	0501010953	1-1/4" SQUARE WASHER		08
10C	0531010713	FLAT WASHER		08
10D	0501010087	1.1/4" NUT		16
11	0602048063	36" X 0.3" NOTCHED DISC BLADE		12

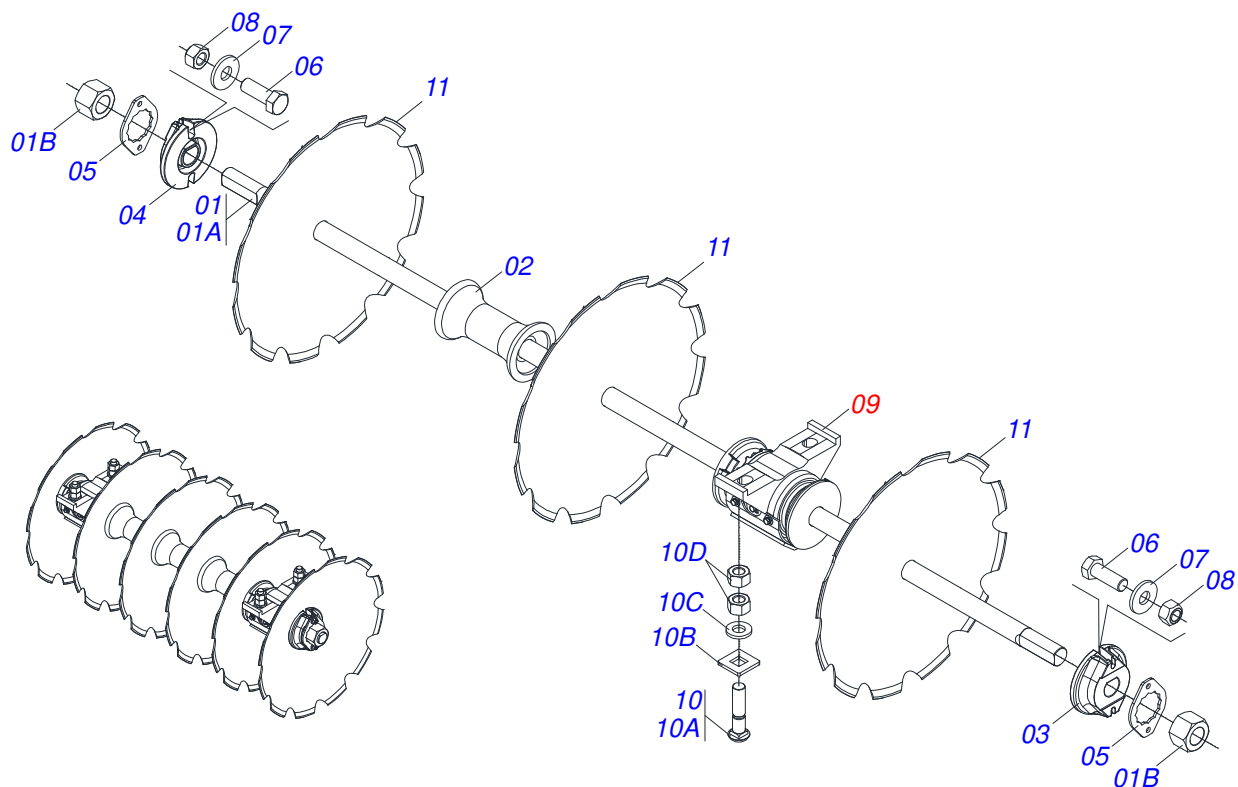


Item	Code	Description	See page	QT
01	0511042484	2-1/2" X 78" AXLE WITH NUTS		02
01A	0541012129	2-1/2" X 78" AXLE		02
01B	0502040064	2.1/2"SNC X 70 99 NUT		04
02	0502011425	13" X 2-1/2" SPACER		06
03	0502010592	2-1/2" INNER AXLE WASHER		02
04	0502010593	2-1/2" EXTERNAL AXLE WASHER		02
05	0541010368	NUT LOCK		08
06	0503010232	5/8" X 1.3/4" BOLT		08
07	0501012140	FLAT WASHER		08
08	0503012412	5/8 UNC SELF LOCKING NUT		08
09	0511042290	13" X 2-1/2" OIL BATH BEARING	25	08
10	0501041301	1-1/4"X 5-3/4" ASSY BOLT		08
10A	0501010954	1-1/4" X 5-3/4" BOLT		08
10B	0501010953	1-1/4" SQUARE WASHER		08
10C	0531010713	FLAT WASHER		08
10D	0501010087	1.1/4" NUT		16
11	0602048063	36" X 0.3" NOTCHED DISC BLADE		12

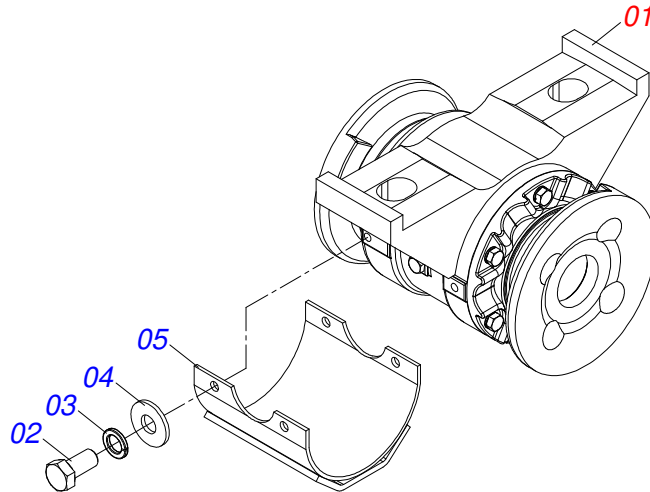


Item	Code	Description	See page	QT
01	0511042483	2-1/2" X 65" AXLE WITH NUTS		01
01A	0541012128	2-1/2" X 65" AXLE WITH NUTS		01
01B	0502040064	2.1/2"SNC X 70 99 NUT		02
02	0502011425	13" X 2-1/2" SPACER		02
03	0502010592	2-1/2" INNER AXLE WASHER		01
04	0502010593	2-1/2" EXTERNAL AXLE WASHER		01
05	0541010368	NUT LOCK		02
06	0503010232	5/8" X 1.3/4" BOLT		04
07	0501012140	FLAT WASHER		04
08	0503012412	5/8 UNC SELF LOCKING NUT		04
09	0511042290	13" X 2-1/2" OIL BATH BEARING	25	02
10	0501041301	1-1/4"X 5-3/4" ASSY BOLT		04
10A	0501010954	1-1/4" X 5-3/4" BOLT		04
10B	0501010953	1-1/4" SQUARE WASHER		04
10C	0531010713	FLAT WASHER		04
10D	0501010087	1.1/4" NUT		08
11	0602048063	36" X 0.3" NOTCHED DISC BLADE		06

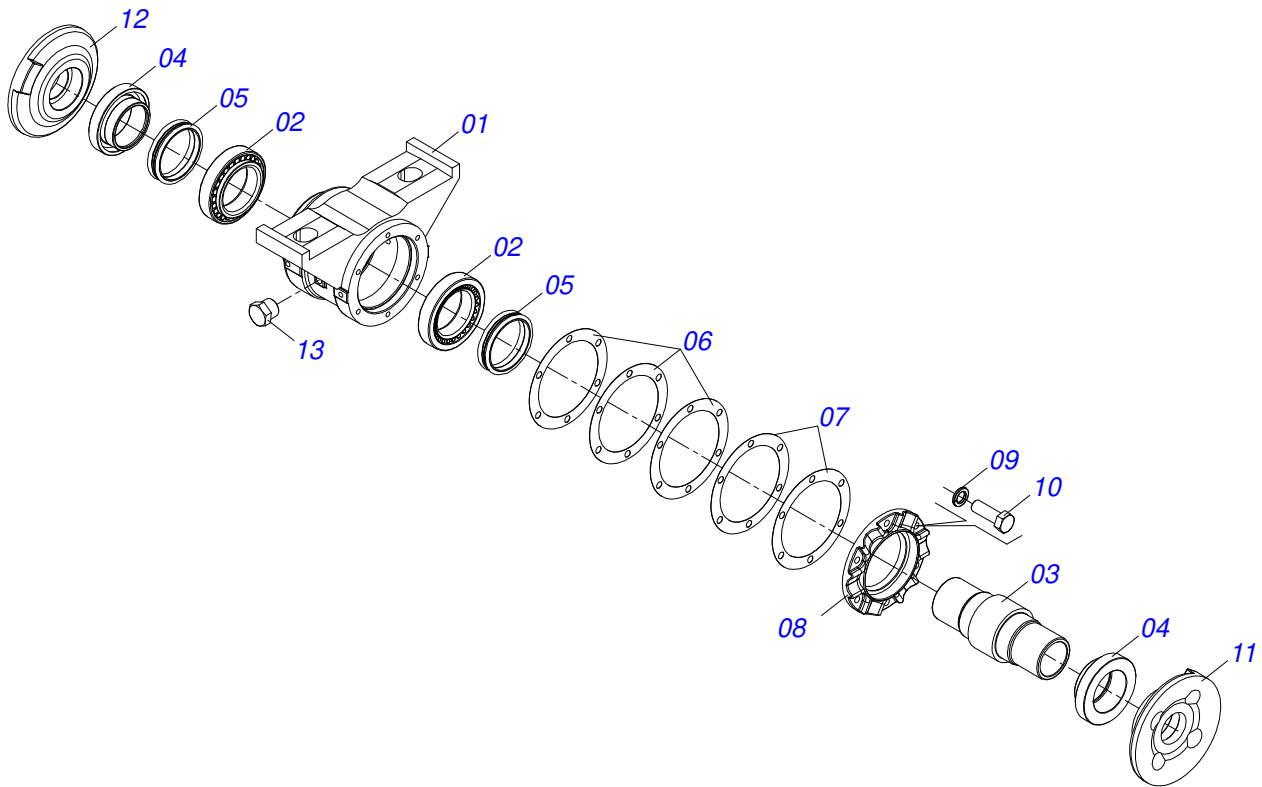
LEFT SIDE FRONT DISC SECTION



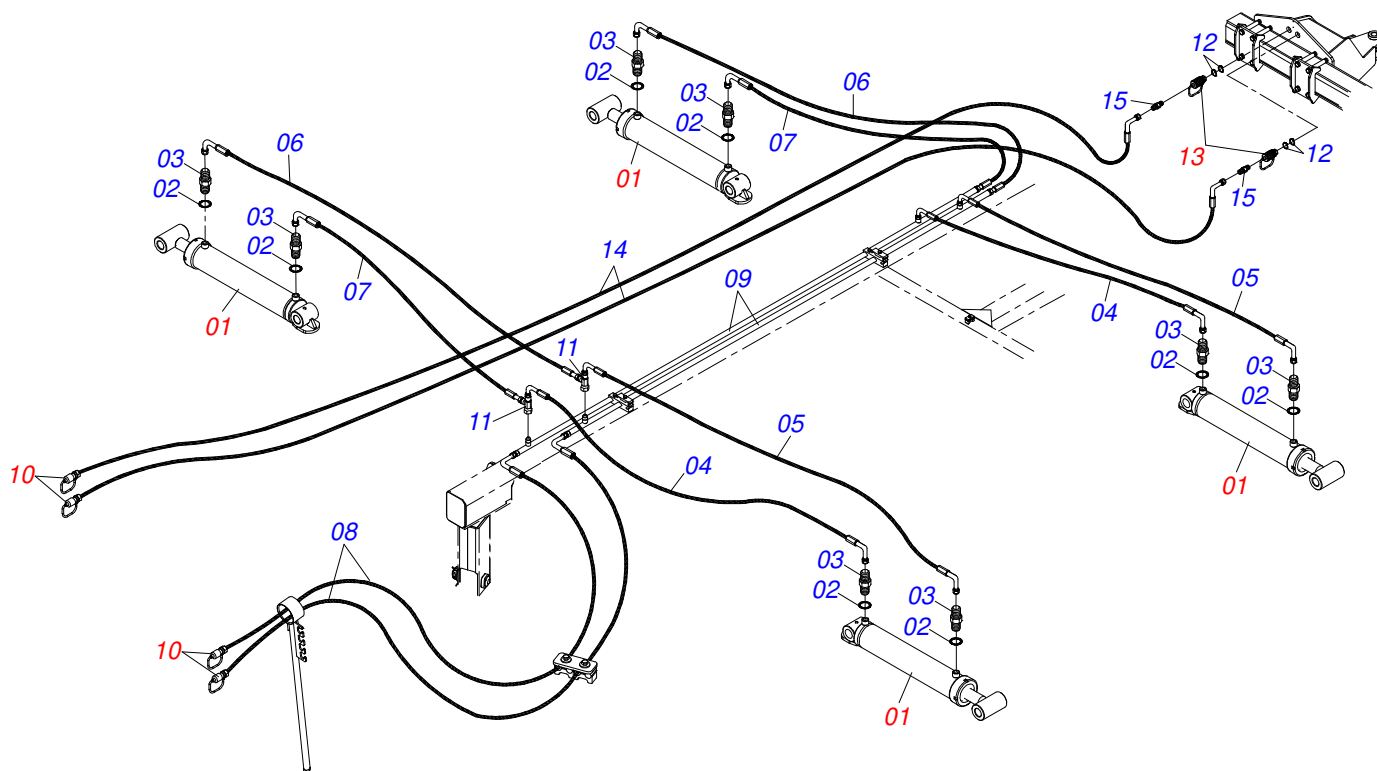
Item	Code	Description	See page	QT
01	0511042483	2-1/2" X 65" AXLE WITH NUTS		01
01A	0541012128	2-1/2" X 65" AXLE WITH NUTS		01
01B	0502040064	2.1/2"SNC X 70 99 NUT		02
02	0502011425	13" X 2-1/2" SPACER		02
03	0502010592	2-1/2" INNER AXLE WASHER		01
04	0502010593	2-1/2" EXTERNAL AXLE WASHER		01
05	0541010368	NUT LOCK		02
06	0503010232	5/8" X 1.3/4" BOLT		04
07	0501012140	FLAT WASHER		04
08	0503012412	5/8 UNC SELF LOCKING NUT		04
09	0511042290	13" X 2-1/2" OIL BATH BEARING	25	02
10	0501041301	1-1/4"X 5-3/4" ASSY BOLT		04
10A	0501010954	1-1/4" X 5-3/4" BOLT		04
10B	0501010953	1-1/4" SQUARE WASHER		04
10C	0531010713	FLAT WASHER		04
10D	0501010087	1.1/4" NUT		08
11	0602048063	36" X 0.3" NOTCHED DISC BLADE		06



Item	Code	Description	See page	QT
01	0511045349	AGRICULTURAL BEARING	26	01
02	0503010834	1/2 X 1 BOLT		04
03	0503010019	1/2" SPRING WASHER		04
04	0511017302	FLAT WASHER		04
05	0521067034	BEARING PROTECTIVE COVER WITH REINFORCEMENT		01

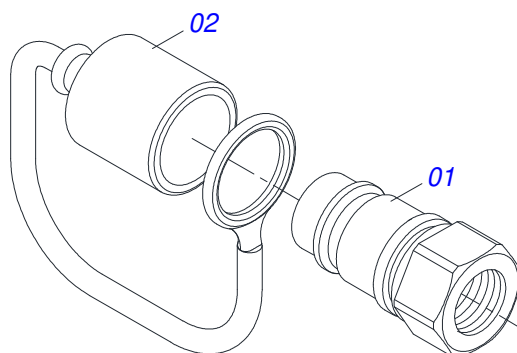


Item	Code	Description	See page	QT
01	0502012218	13" 2-1/2" HOUSING BEARING		01
02	0503010482	594A/592A ROLLER BEARING		02
03	0502040204	AXLE		01
04	0502040119	SEAL RETAINER		02
05	0503030029	SEAL # LP JB-259		02
06	0503030537	8.3" X 6.3" X 0.01" JOINT		03
07	0503030687	8.3" X 6.3" X 0.004" JOINT		02
08	0502010644	HOUSING CAP DM		01
09	0503011440	SPRING WASHER		06
10	0503010920	1/2" X 1.1/2" BOLT		06
11	0502012239	BEARING OUTER FLANGE		01
12	0502012238	BEARING INNER FLANGE		01
13	0503010856	OIL PLUG		02

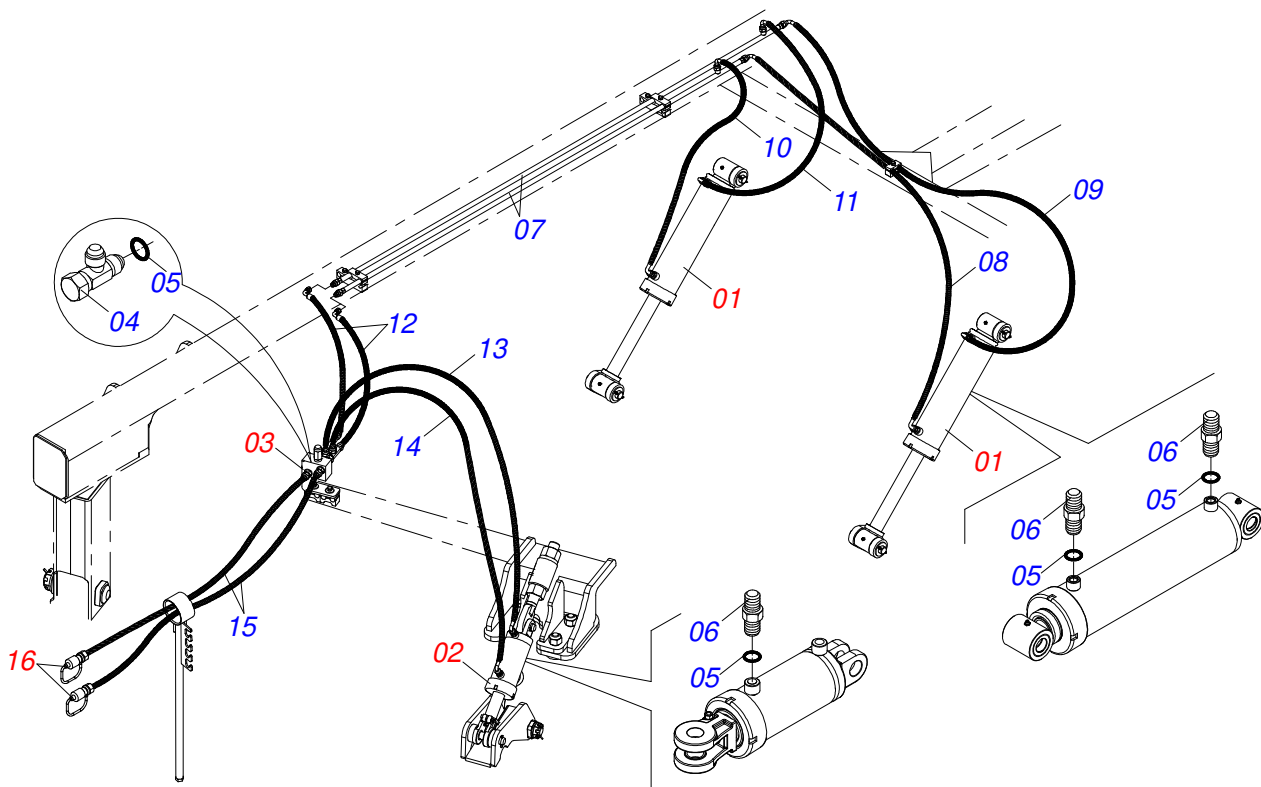


Item	Code	Description	See page	QT
01	0511059197	HYDRAULIC CYLINDER 76,20 X 114,30 X 1085 X 715	11	04
02	0503010190	2-114 N 3006-9B O'RING		08
03	0501010617	3/4" NIPPLE		08
04	0501080578	TC-TC HOSE ASSY		02
05	0501080909	3/8 X 4600 TC-TC HOSE		02
06	0501080401	3/8" X 106" TR-TC HOSE		02
07	0501080450	TR-TC HOSE ASSY		02
08	0501080850	3/8" X 6100 TC-TM HOSE		02
09	0521066126	DISTRIBUTOR OIL TUBE		02
10	0501053834	MALE QUICK COUPLER	28	04
11	0503011968	3/4" 8R6X-S T ADAPTER WITH SWIVEL NUT		04
12	0503010217	501040 CLAMPING RING (FOR AXLE)		04
13	0501053835	FEMALE QUICK COUPLER	7	02
14	0501082031	HOSE		02
15	0571015342	3/4" NIPPLE		02





Item	Code	Description	See page	QT
01	0503011627	MALE QUICK COUPLER AGR 1/2 NPT		01
02	0503011882	MALE QUICK COUPLER CAP		01



Item	Code	Description	See page	QT
01	0521051832	HYDRAULIC CYLINDER 53,98 X 114,30 X 654 X 346		02
02	0511058521	50,80 X 101,60 X 527 X 165 HYDRAULIC CYLINDER		01
03	0511059196	VALVE ASSY	17	01
04	0503011968	3/4" 8R6X-S T ADAPTER WITH SWIVEL NUT		02
05	0503010190	2-114 N 3006-9B O'RING		08
06	0501010617	3/4" NIPPLE		06
07	0521066937	DUCT DISTRIBUTOR OF OIL		02
08	0501080432	3/8 X 2600 TC-TC HOSE ASSY		01
09	0501080393	3/8 X 2200 TC-TC HOSE		01
10	0501080065	3/8 X 1200 TC-TC HOSE		01
11	0501080931	3/8" X 39" TC-TC HOSE ASSY		01
12	0501080150	3/8 X 800 TR-TC HOSE		02
13	0501080302	TR-TC HOSE ASSY		01
14	0501080436	3/8 X 1500 TR-TC HOSE		01
15	0501080205	HOSE 3/8 X 5500 TR-TM		02
16	0501053834	MALE QUICK COUPLER	28	02





**MARCHESAN**

**Technical Publications | Elaboration and Revision**

LORENA ROCHA ALVES

[www.marchesan.com.br](http://www.marchesan.com.br)

