

**HINGE TYPE OFFSET DISK HARROW**

## **GNFH 72D - WITH PA - SPECIAL**

**Code:** 0501092819  
**Series:** S-0720  
**Revision:** 00  
**Date Revision:** ABRIL/2021

# **PARTS CATALOGUE**



**MARCHESAN**



# PRODUCTS

Code	Description
0102480135	GNFH 72 X 22 X 4,50 DMO MT PA ESPECIAL S-0720

## ATTENTION: IMPORTANT

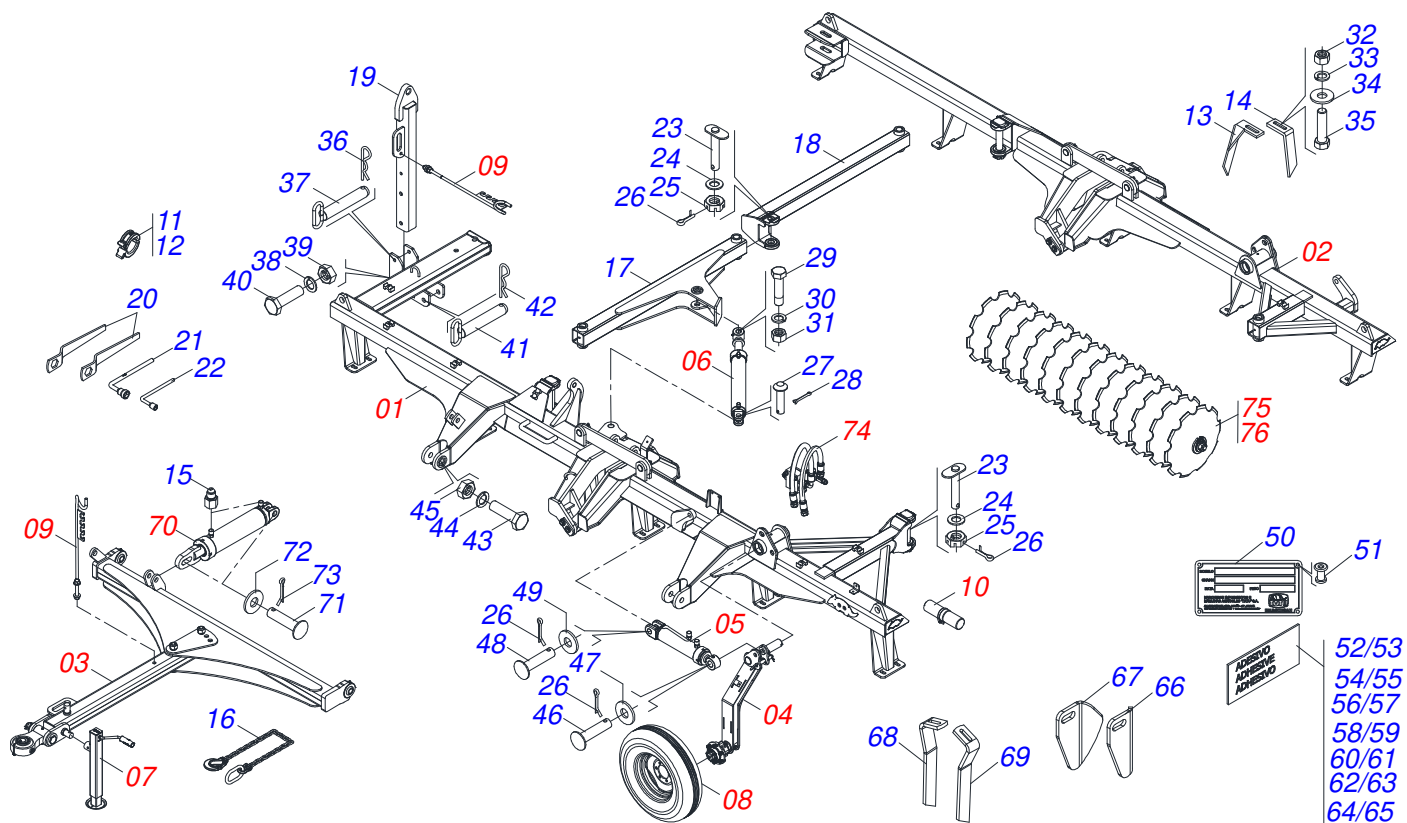
Marchesan S.A. reserves the right to improve and / or modify the technical features of its products, without obligation to do the same with those products already sold and without prior knowledge of the dealer or the consumer.



**MARCHESAN**

# INDEX

0909099274	ASSY FRAME	.....	1
0521059181	SEMIFINISHED FRAME	.....	3
0521059179	SEMIFINISHED FRAME	.....	4
0521044870	DRAWBAR ASSY	.....	5
0501044359	DRAWBAR ASSY	.....	6
0521053943	HITCH WITH ASSY ROTULA SUPPORT	.....	7
0521048125	WHEELS ASSY	.....	8
0521052217	ASSY WHEEL CUBE	.....	9
0501051142	CARRYING WHEEL HUB	.....	10
0521056810	HYDRAULIC CYLINDER 44,45X76,20X405X170	.....	11
0511058461	HYDRAULIC CYLINDER	.....	12
0503062157	HEADER JACK	.....	13
0503060091	L29.5"X0.63"-10L WHEEL AND	.....	14
0521052223	3/4 X 700 HOSE SUPPORT	.....	15
0521053516	ASSY PORT MANUAL INSTRUCCION	.....	16
0521058302	HYDRAULIC CYLINDER 44,45X85,7X600X265	.....	17
0909099277	HYDRAULIC CIRCUIT	.....	18
0511058421	38,10X63,50X405X170 HYDRAULIC CYLINDER	.....	19
0521050797	FLOW DIVIDER VALVE	.....	20
0909099279	FRONT GANG DISC	.....	21
0909099278	REAR GANG DISC	.....	22
0521047187	BEARING	.....	23



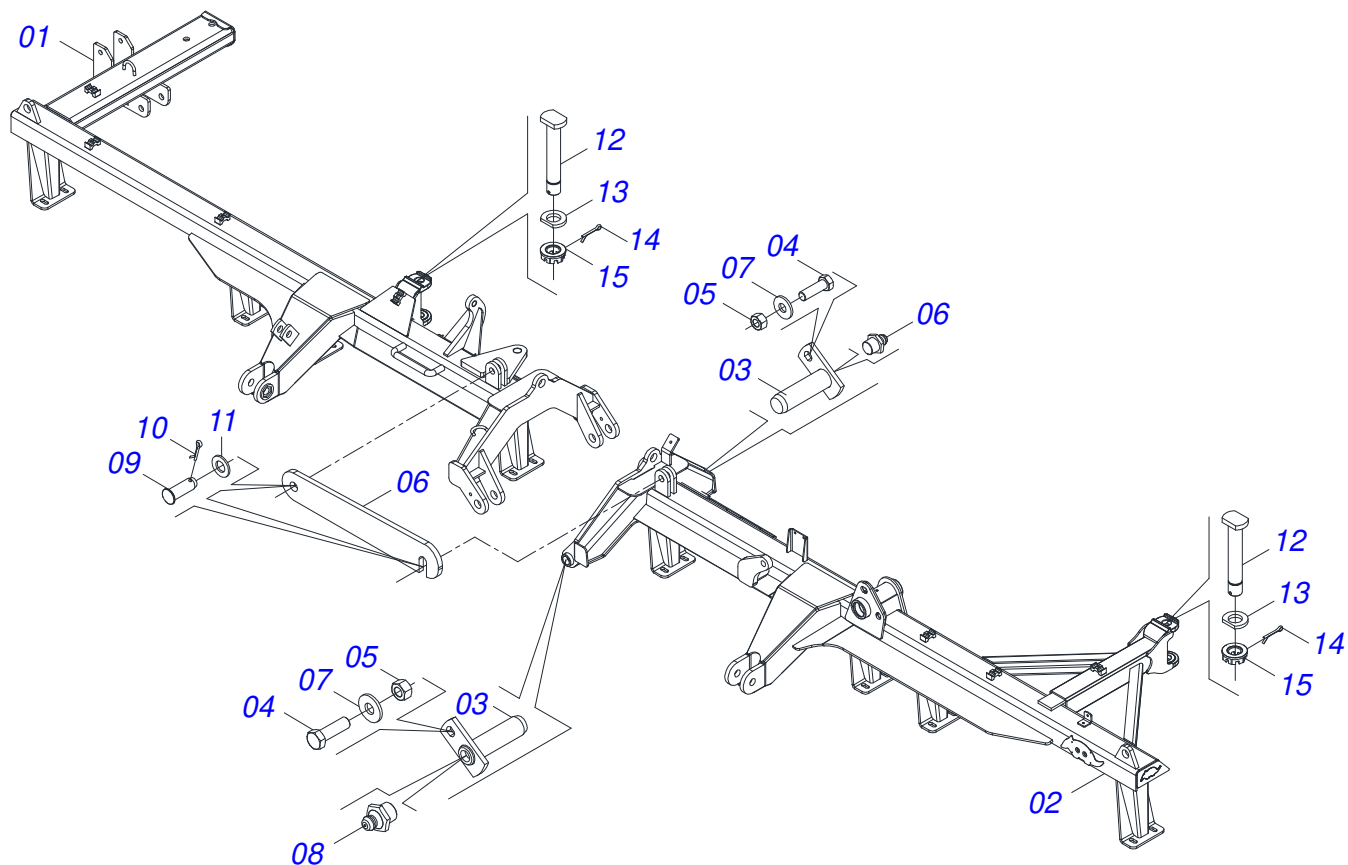
Item	Code	Description	See page	QT
01	0521059181	SEMIFINISHED FRAME	3	01
02	0521059179	SEMIFINISHED FRAME	4	01
03	0521044870	DRAWBAR ASSY	5	01
04	0521048125	WHEELS ASSY	8	02
05	0521056810	HYDRAULIC CYLINDER 44,45X76,20X405X170	11	02
06	0511058461	HYDRAULIC CYLINDER	12	01
07	0503062157	HEADER JACK	13	02
08	0503060091	L29.5"X0.63"-10L WHEEL AND	14	02
09	0521052223	3/4 X 700 HOSE SUPPORT	15	01
10	0521053516	ASSY PORT MANUAL INSTRUCCION	16	01
11	0501047895	ROD STOP		06
12	0501047885	ROD STOP		04
13	0501063963	FRONT SCRAPER		28
14	0501063962	REAR SCRAPER		28
15	0511018012	HIDRAULIC ADAPTER		02
16	0503013150	1300 X 3/8 CHAIN		01
17	0521065407	FRONT STABILIZER BAR		01
18	0521065406	REAR STABILIZER BAR		01
19	0521067573	1000 GNFM TRANSPORT BAR		01
20	0501011432	1-1/2" AND 1-5/8 GANG BOLT WRENCH		02
21	0501061617	1" GANG BOLT WRENCH		01
22	0501068273	5/8" WRENCH		01
23	0531019497	1.5" X 9.2" ARTICULATED AXIS		01
24	0531019540	FLAT WASHER		01
25	0501011301	1.1/2 UNC 6FPP 2.5/16 NUT		01
26	0503010571	1/4" X 1.1/2 COTTERPIN		06
27	0521010779	31.75 X 95 COUPLING SHAFT		01
28	0503010523	1/4" X 2" COTTERPIN		01
29	0501011106	1-1/4" X 7" SCREW		01
30	0503010070	SPRING WASHER		01
31	0501010087	1.1/4" NUT		01



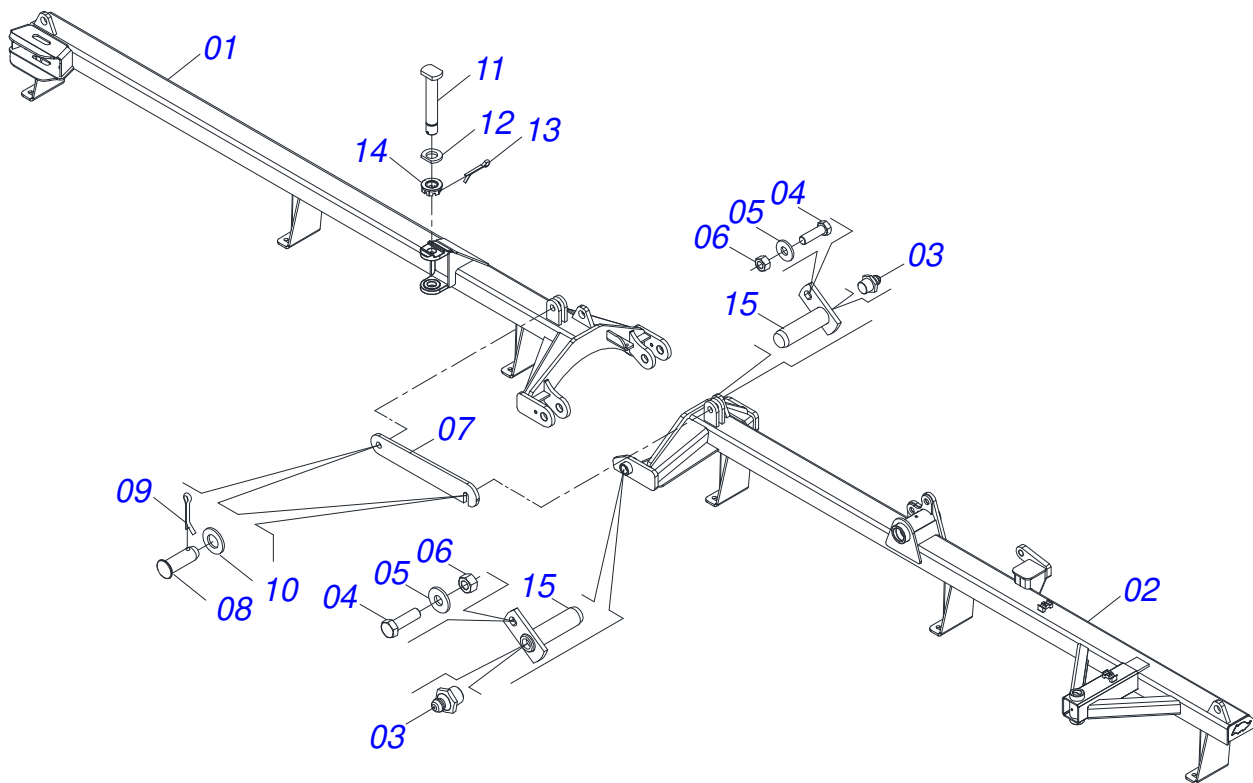
## ASSY FRAME

0909099274

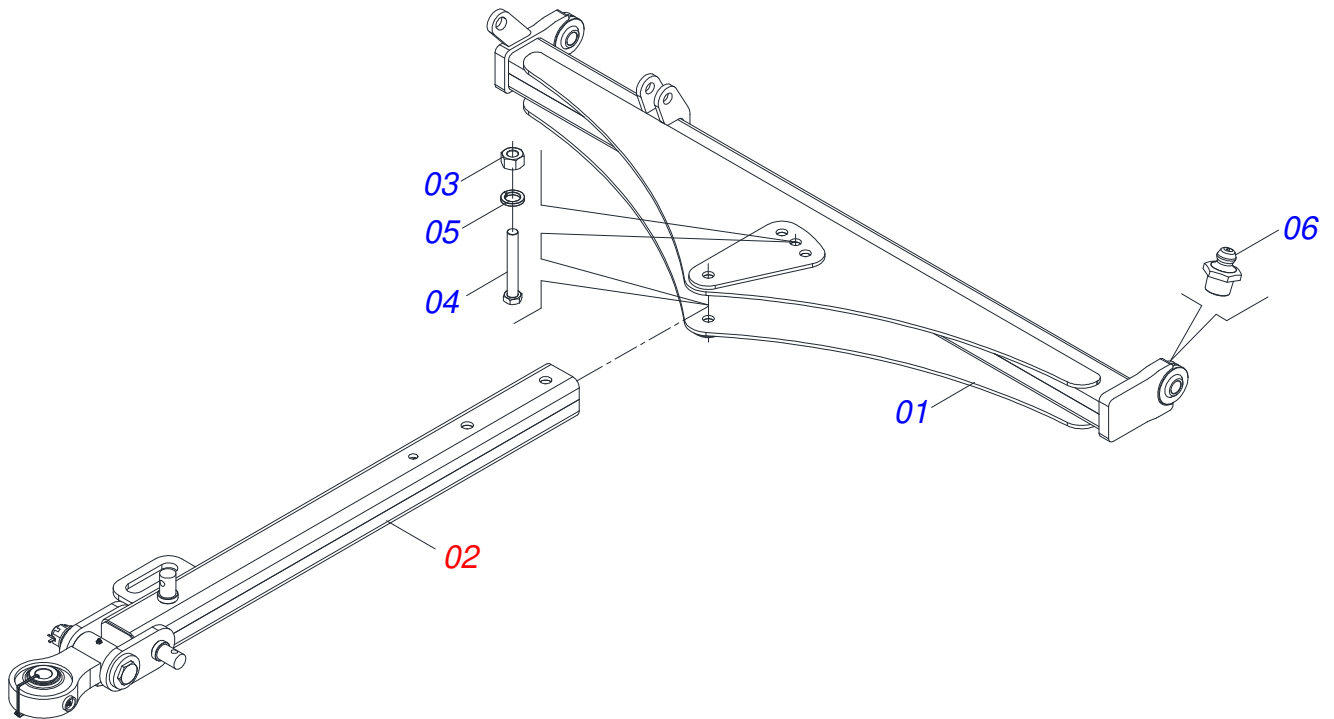
Item	Code	Description	See page	QT
32	0503010060	1/2" NUT		108
33	0503010019	1/2" SPRING WASHER		108
34	0511017302	FLAT WASHER		108
35	0503011082	C1/2" X 1.3/4" SCREW		108
36	0503030012	HAIR PIN		01
37	0521064088	LOCK AXLE		01
38	0503010012	1" SPRING WASHER		01
39	0503012182	1" NUT		01
40	0501010334	1" X 7" BOLT		01
41	0521067644	JUNCTION SHAFT		01
42	0503031035	HAIR PIN		01
43	0501010426	1-1/4" X 6" SCREW		01
44	0503010070	SPRING WASHER		01
45	0501010087	1.1/4" NUT		01
46	0521010545	1.2" X 5.1" COUPLING SHAFT		02
47	0501017779	32 X 60 X 4.75 FLAT WASHER		02
48	0521010575	C0.9" X 3.3" COUPLING SHAFT		02
49	0501011445	FLAT WASHER		02
50	0503034003	SERIAL NUMBER TAG 61 X 118		01
51	0503010001	3.2 X 5.5 RIVET		04
52	0503034652	ADHESIVE LABEL		02
53	0503031739	ADHESIVE LABEL		01
54	0503034438	ADHESIVE LABEL		01
55	0503033038	DANGER SIGN		01
56	0503034078	LIFTING POINTS DECAL		04
57	0503034499	HOSE IDENTIFICATION DECAL		01
58	0503031827	LUBRICATE AND RETIGHTEN DAILY DECAL		01
59	0503031087	ADHESIVE LABEL		01
60	0503031428	READ MANUAL DECAL		01
61	0503034707	ADHESIVE LABEL		01
62	0503034022	ADHESIVE LABEL LOGO TATU 60X80		01
63	0503034078	LIFTING POINTS DECAL		01
64	0503034707	ADHESIVE LABEL		01
65	0503034022	ADHESIVE LABEL LOGO TATU 60X80		01
66	0591015196	REAR SCRAPER		06
67	0591015195	FRONT SCRAPER		06
68	0591015209	FRONT SCRAPER		01
69	0591015208	REAR SCRAPER		01
70	0521058302	HYDRAULIC CYLINDER 44,45X85,7X600X265	17	01
71	0521010575	C0.9" X 3.3" COUPLING SHAFT		02
72	0501011445	FLAT WASHER		02
73	0503010571	1/4" X 1.1/2 COTTERPIN		02
74	0909099277	HYDRAULIC CIRCUIT	18	01
75	0909099279	FRONT GANG DISC	21	01
76	0909099278	REAR GANG DISC	22	01



Item	Code	Description	See page	QT
001	0531061349	RIGHT FRONT FRAME		01
002	0531061347	LEFT FRONT FRAME		01
003	0501063751	1.5" X 5.5" PIVOT SHAFT		02
004	0501010100	SCREW 5/8 UNC X 2 CS G.5 ZN		02
005	0503010013	5/8" NUT		02
006	0501018941	TRANSPORT LOCK		01
007	0501012140	FLAT WASHER		02
008	0503010002	1800 GREASE FITTING		02
009	0521010592	1.1" X 3.1" COUPLING SHAFT		02
010	0503010571	1/4" X 1.1/2" COTTERPIN		02
011	0511017480	FLAT WASHER		02
012	0531019497	1.5" X 9.2" ARTICULATED AXIS		02
013	0531019540	FLAT WASHER		02
014	0503010010	1/4" X 2.1/2" COTTERPIN		02
015	0501011301	1.1/2 UNC 6FPP 2.5/16 NUT		02

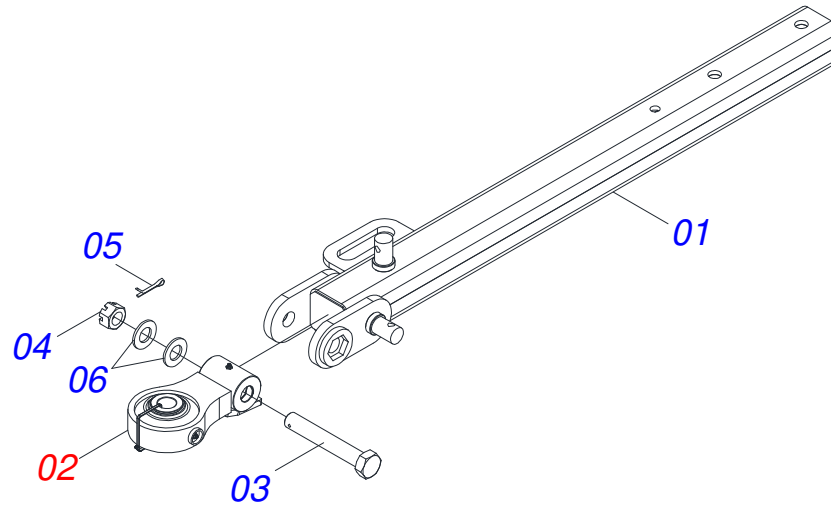


Item	Code	Description	See page	QT
001	0531061351	RIGHT REAR FRAME		01
002	0531061353	LEFT REAR FRAME		01
003	0503010002	1800 GREASE FITTING		02
004	0501010100	SCREW 5/8 UNC X 2 CS G.5 ZN		02
005	0501012140	FLAT WASHER		02
006	0503010013	5/8" NUT		02
007	0501018941	TRANSPORT LOCK		01
008	0521010592	1.1" X 3.1" COUPLING SHAFT		02
009	0503010571	1/4" X 1.1/2" COTTERPIN		02
010	0511017480	FLAT WASHER		02
011	0531019497	1.5" X 9.2" ARTICULATED AXIS		01
012	0531019540	FLAT WASHER		01
013	0503010010	1/4" X 2.1/2" COTTERPIN		01
014	0501011301	1.1/2 UNC 6FPP 2.5/16 NUT		01
015	0501063751	1.5" X 5.5" PIVOT SHAFT		02

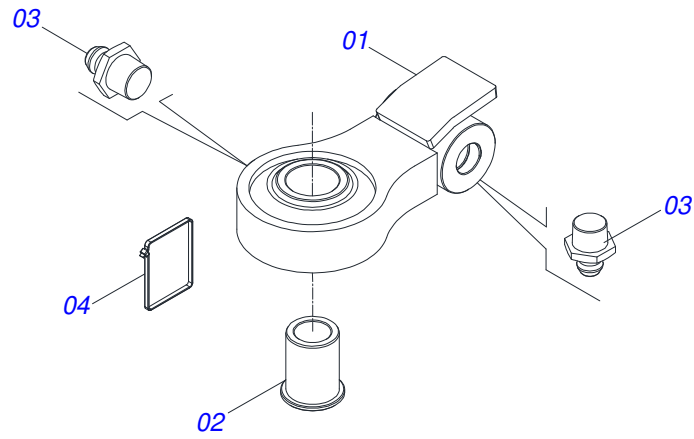


Item	Code	Description	See page	QT
01	0521065405	OFFSET BAR		01
02	0501044359	DRAWBAR ASSY	6	01
03	0501010059	1.5/8 NUT		02
04	0501010334	1" X 7" BOLT		02
05	0503011438	SPRING WASHER		02
06	0503010002	1800 GREASE FITTING		02

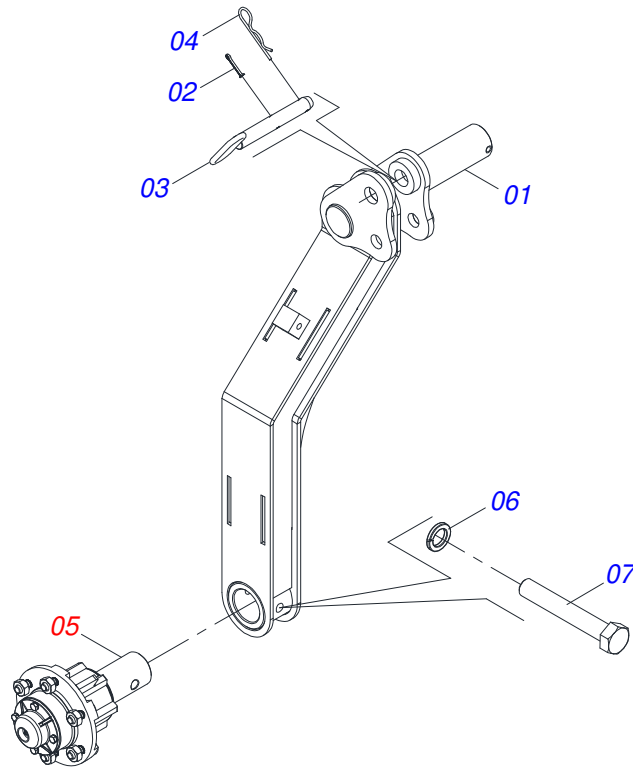




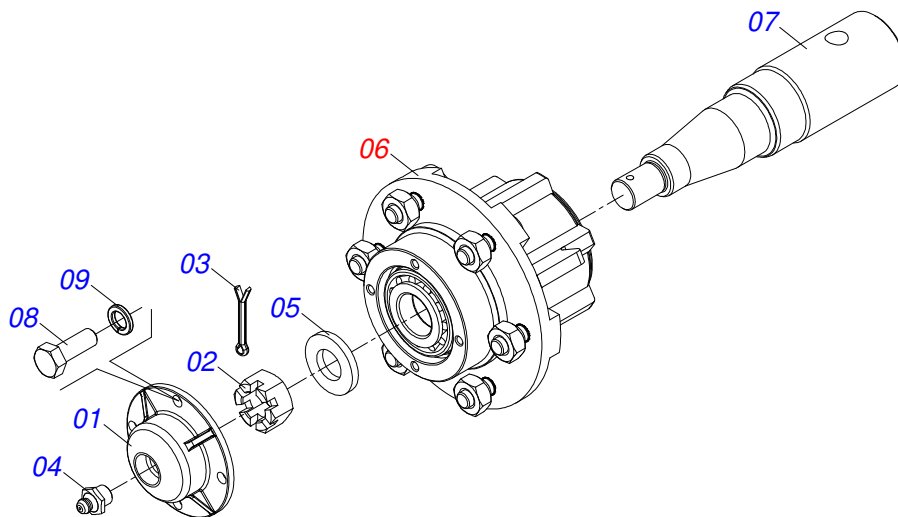
Item	Code	Description	See page	QT
01	0501066715	DRAWBAR ASSY		01
02	0521053943	HITCH WITH ASSY ROTULA SUPPORT	7	01
03	0501017291	1-1/2" X 8.1" BOLT		01
04	0501011301	1.1/2 UNC 6FPP 2.5/16 NUT		01
05	0503010010	1/4" X 2.1/2" COTTERPIN		01
06	0501017779	32 X 60 X 4.75 FLAT WASHER		02



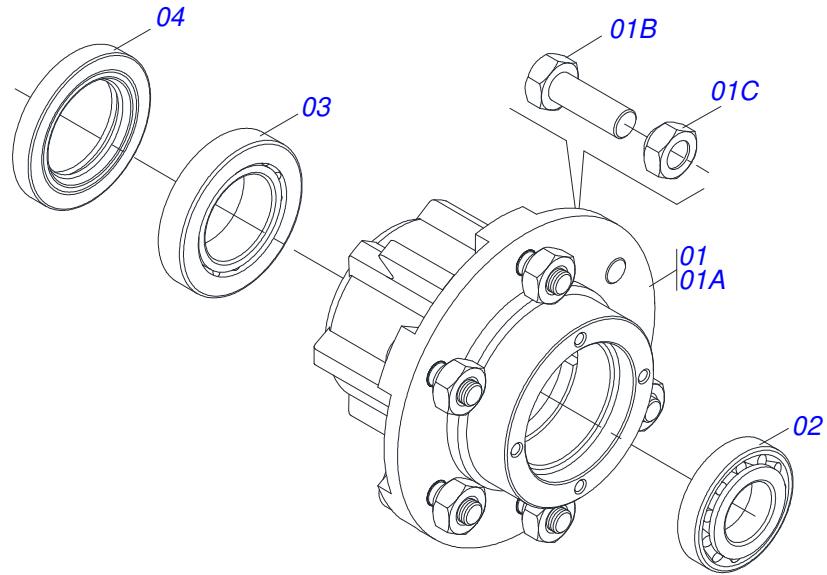
Item	Code	Description	See page	QT
01	0521069166	HITCH		01
02	0581018413	SLEEVE		01
03	0503010002	1800 GREASE FITTING		02
04	0503016033	4.8 X 1.3 X 300 MM NYLON CLAMP		01



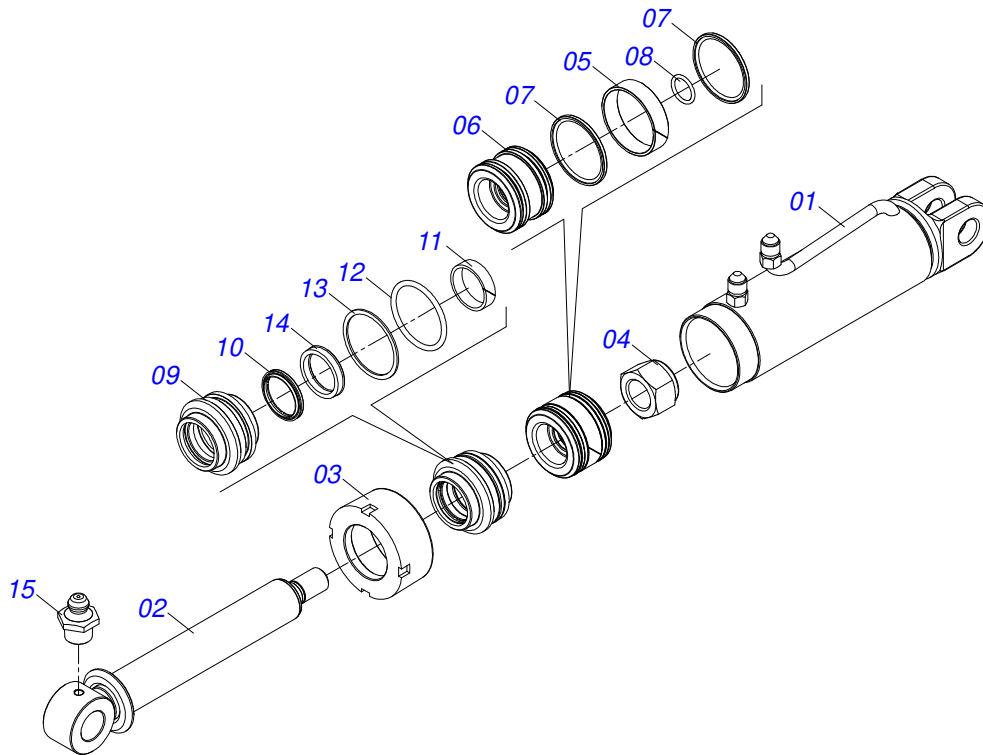
Item	Code	Description	See page	QT
01	0521068372	WHEELED ARM		01
02	0503010131	3/16" X 1-1/2" COTTERPIN		01
03	0521068769	COUPLING SHAFT		01
04	0503030012	HAIR PIN		01
05	0521052217	ASSY WHEEL CUBE	9	01
06	0503010027	5/8" SPRING WASHER		01
07	0503017857	BOLT 5/8 UNF 4		01



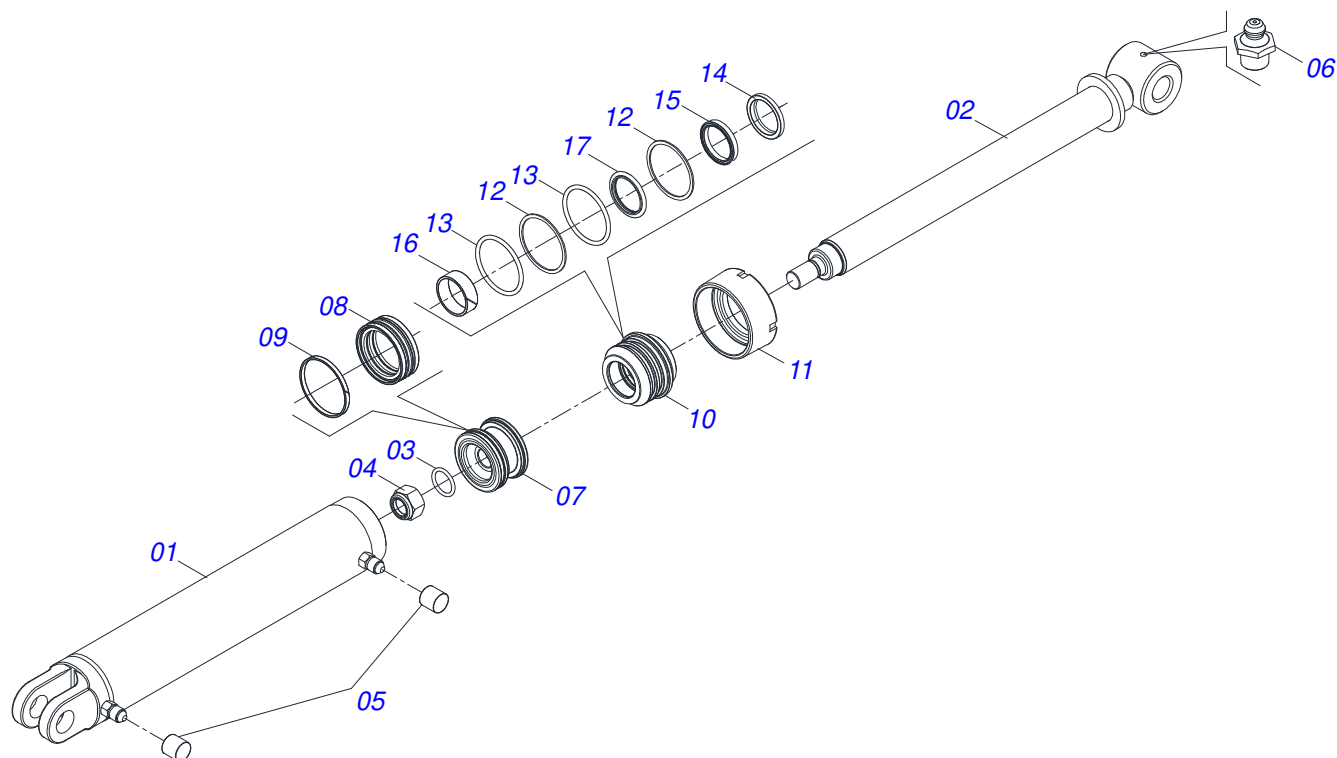
Item	Code	Description	See page	QT
01	0502020591	PROTECCION COVER		01
02	0503030009	1" CASTLE NUT		01
03	0503010018	5/32 X 1-1/2 COTTERPIN		01
04	0503010002	1800 GREASE FITTING		01
05	0501016545	FLAT WASHER		01
06	0501051142	CARRYING WHEEL HUB	10	01
07	0581016297	63,50 X 270 AXIS		01
08	0503010178	5/16" X 7/8" BOLT		04
09	0503010179	5/16" ZN SPRING WASHER		04



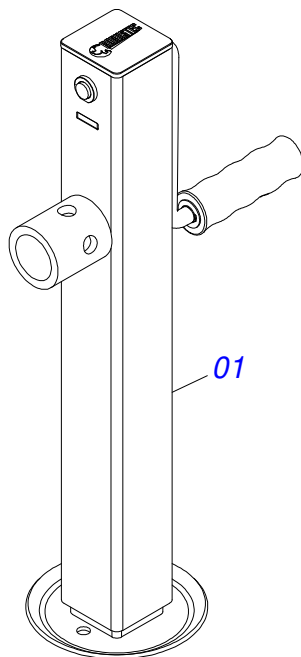
Item	Code	Description	See page	QT
01	0501110728	WHEEL HUB		01
01A	0502011121	CARRYING WHEEL HUB		01
01B	0501010127	9/16" X 1-7/8" LUG BOLT		06
01C	0503010035	9/16" CONIC NUT		06
02	0503010037	30207 ROLLER BEARING		01
03	0503010006	32210 ROLLER BEARING		01
04	0503012928	SEAL		01



Item	Code	Description	See page	QT
01	0531060320	CASE 76,20 X 277 X 335		01
02	0531060321	EXTENSOR 44,45 X 311 X 296		01
03	0502011899	MOBILE COVER		01
04	0503010063	1" SELF-ALIGNING NUT		01
05	0503018140	RING GUIDE		01
06	0581010304	PISTON		01
07	0503018138	RING BS		02
08	0503010042	2-214 N 3006-9B O'RING		01
09	0502012264	RING SUPPORT 1.75" X 3"		01
10	0503010761	D-1750 SCRAPER RING		01
11	0503010949	W2-2000-500 PK RING G.E		01
12	0503010343	2-334 N 3006-9B O'RING		01
13	0503011059	8-334 BACK-UP RING		01
14	0503017937	GASKET		01
15	0503010002	1800 GREASE FITTING		01

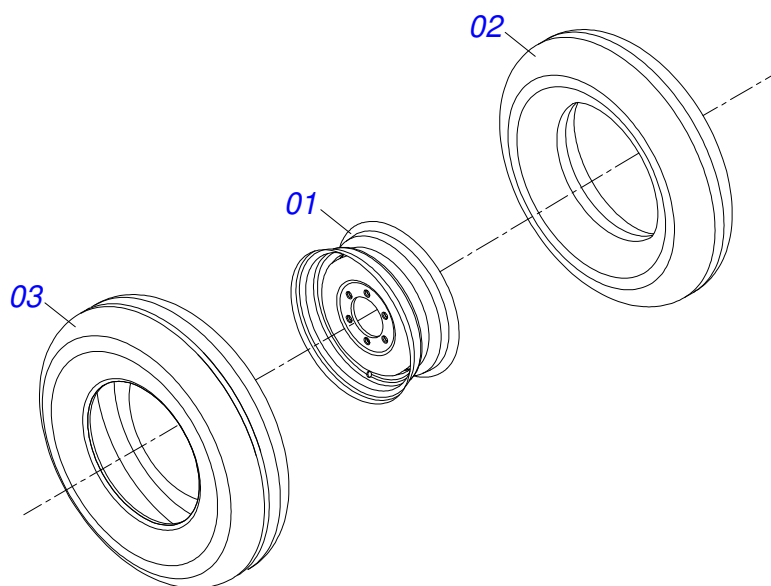


Item	Code	Description	See page	QT
01	0521063982	CYLINDER CASE		01
02	0521067533	50,80 X 697 EXTENSOR		01
03	0503010042	2-214 N 3006-9B O'RING		01
04	0503010063	1" SELF-ALIGNING NUT		01
05	0503030385	CYLINDER PLUG N-002		02
06	0503010002	1800 GREASE FITTING		01
07	0571019710	1.7" X 3.4" PISTON		01
08	0503017935	RING		01
09	0503018144	RING		01
10	0581013228	50,80 X 85,72 SUPPORT RINGS		01
11	0581013227	85,72 MOVEL COVER		01
12	0503017940	8-337 BACK-UP RING		02
13	0503017939	2-337 N 3006-9B O' RING		02
14	0503010039	D-2000 SCRAPER RING		01
15	0503018026	1870-2000-375 B GASKET		01
16	0503018025	RING GUIDE		01
17	0503018024	RING BS		01

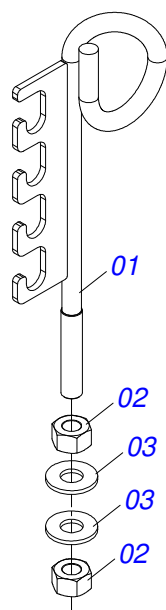


Item	Code	Description	See page	QT
01	0503062157	HEADER JACK	13	01

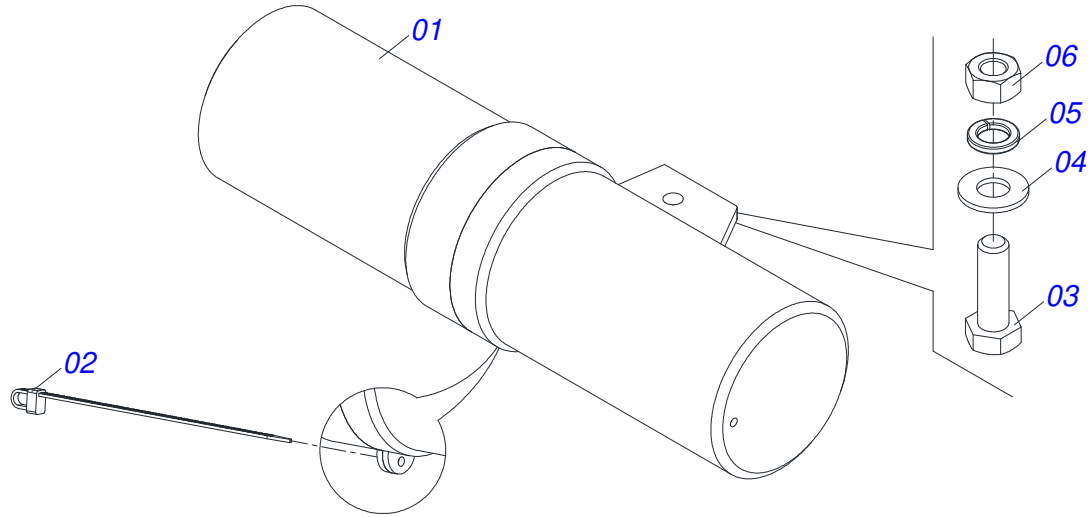




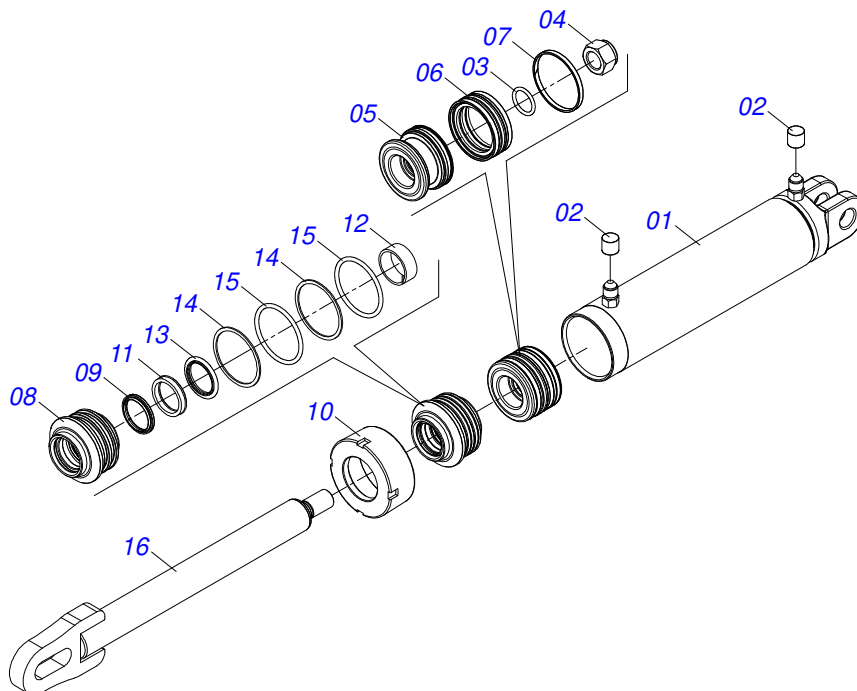
Item	Code	Description	See page	QT
01	0503010893	WHEEL		01
02	0503010033	7.50 X 16 INNER TIRE		01
03	0503010120	CANVAS TIRE		01



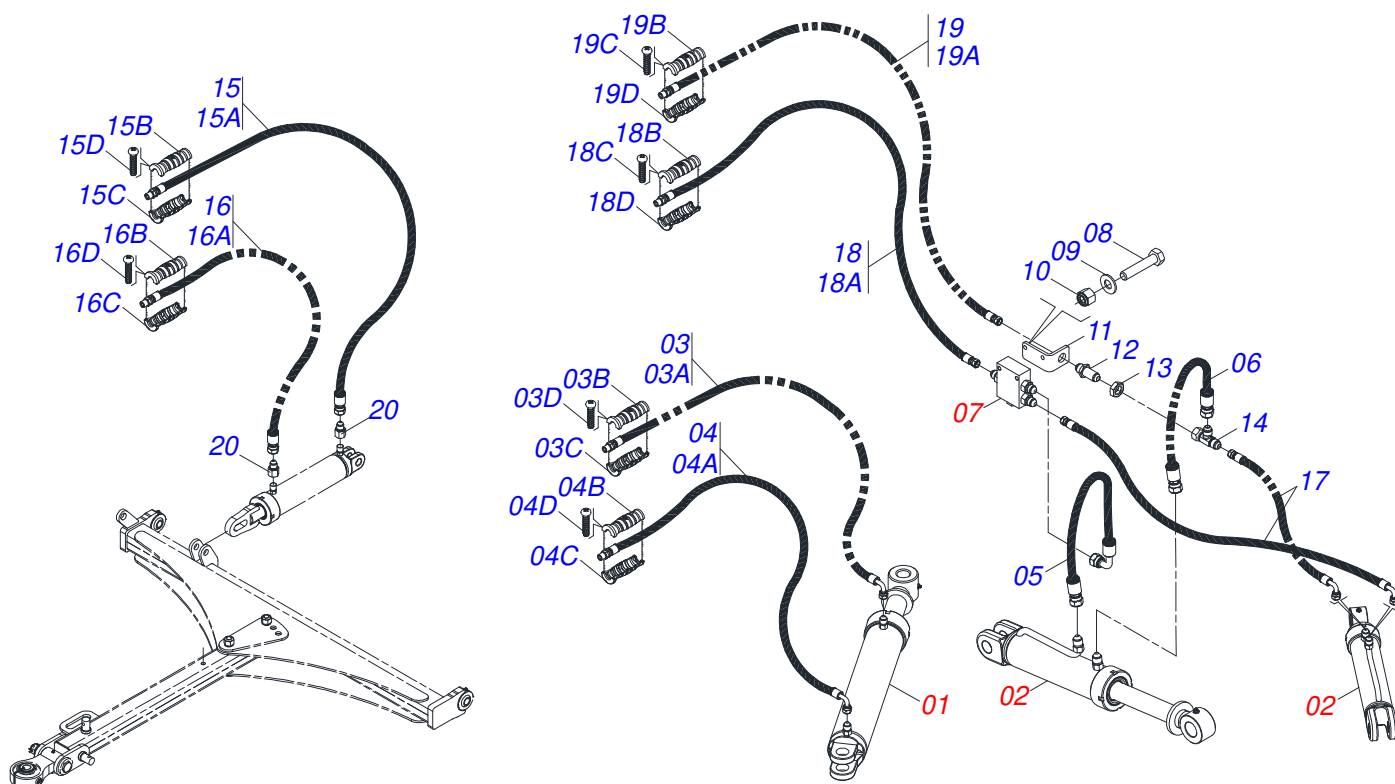
Item	Code	Description	See page	QT
01	0521068388	HOSE SUPPORT		01
02	0503010014	3/4" NUT		02
03	0501010322	FLAT WASHER		02



Item	Code	Description	See page	QT
01	0503060100	OPERATOR'S MANUAL STORAGE TUBE		01
02	0503010267	NYLON CLAMP		01
03	0503010363	5/16" X 1" BOLT		01
04	0501010694	8.5 X 18 X 1.5 FLAT WASHER		01
05	0503010179	5/16" ZN SPRING WASHER		01
06	0503010337	5/16" NUT		01



Item	Code	Description	See page	QT
01	0531061884	CASE 85.70 X 265		01
02	0503030385	CYLINDER PLUG N-002		02
03	0503010042	2-214 N 3006-9B O'RING		01
04	0503010063	1" SELF-ALIGNING NUT		01
05	0571019710	1.7" X 3.4" PISTON		01
06	0503017935	RING		01
07	0503018144	RING		01
08	0571019711	RING SUPPORT		01
09	0503010761	D-1750 SCRAPER RING		01
10	0571019709	DETACHABLE COVER		01
11	0503017936	RING		01
12	0503017938	RING GUIDE		01
13	0503017937	GASKET		01
14	0503017940	8-337 BACK-UP RING		02
15	0503017939	2-337 N 3006-9B O' RING		02
16	0531061883	EXTENSOR 44.45 X 535		01
17	0511032281	HYDRAULIC CYLINDER REPAIR KIT		01



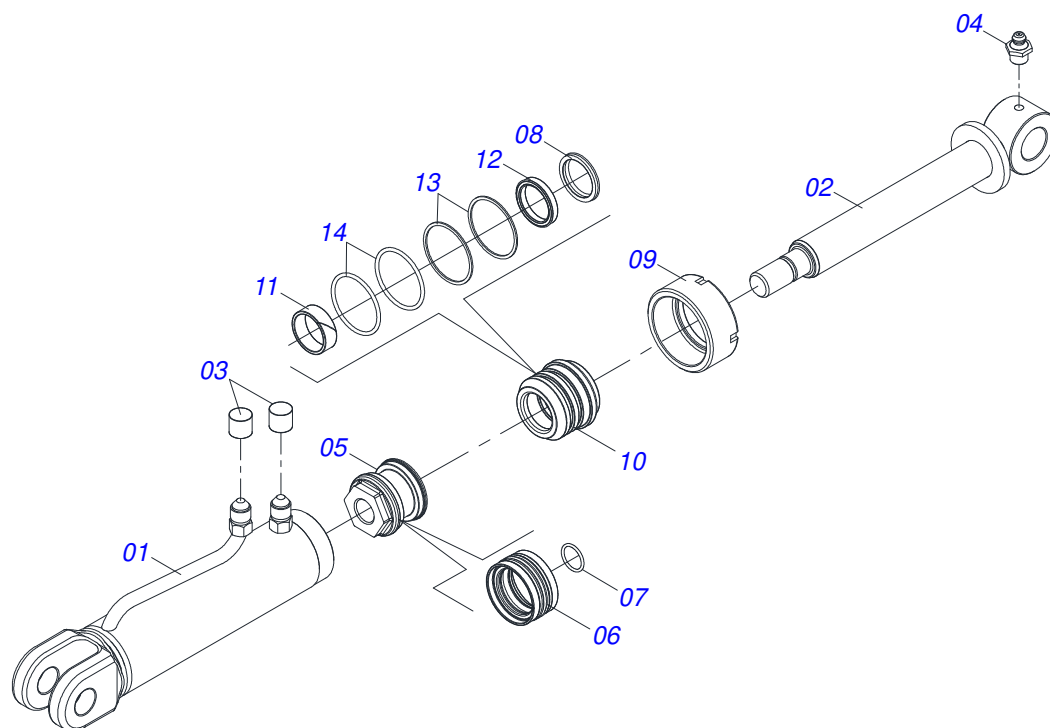
Item	Code	Description	See page	72
01	0511058461	HYDRAULIC CYLINDER	12	01
02	0511058421	38,10X63,50X405X170 HYDRAULIC CYLINDER	19	02
03	0521053414	3/8" X 177 TC-TM HOSE		01
03A	0501080362	3/8" X 177" TC-TM HOSE		01
03B	0503034491	HYDRAULIC HOSE GRIP (PURPLE)		01
03C	0503034494	HYDRAULIC HOSE GRIP (BLUE)		01
03D	0503018952	PLASTIC BOLT		06
04	0521053413	3/8" X 177" TC-TM HOSE		01
04A	0501080362	3/8" X 177" TC-TM HOSE		01
04B	0503034491	HYDRAULIC HOSE GRIP (PURPLE)		01
04C	0503034495	HYDRAULIC HOSE GRIP (RED)		01
04D	0503018952	PLASTIC BOLT		06
05	0501080406	3/8" X 23" TR-TC HOSE		01
06	0501080460	3/8" X 23" TR-TR HOSE		01
07	0521050797	FLOW DIVIDER VALVE	20	01
08	0503011766	5/16" X 2-1/2" BOLT		01
09	0501010694	8.5 X 18 X 1.5 FLAT WASHER		01
10	0503013759	NUT		01
11	0581016273	SUPPORT		01
12	0541012165	3/4" NIPPLE		01
13	0571018575	NUT - R.3/4" UNF 16FPP X 10		01
14	0503011968	3/4" 8R6X-S T ADAPTER WITH SWIVEL NUT		01
15	0521053413	3/8" X 177" TC-TM HOSE		01
15A	0501080362	3/8" X 177" TC-TM HOSE		01
15B	0503034491	HYDRAULIC HOSE GRIP (PURPLE)		01
15C	0503034495	HYDRAULIC HOSE GRIP (RED)		01
15D	0503018952	PLASTIC BOLT		06
16	0521053414	3/8" X 177 TC-TM HOSE		01
16A	0501080362	3/8" X 177" TC-TM HOSE		01
16B	0503034491	HYDRAULIC HOSE GRIP (PURPLE)		01
16C	0503034494	HYDRAULIC HOSE GRIP (BLUE)		01



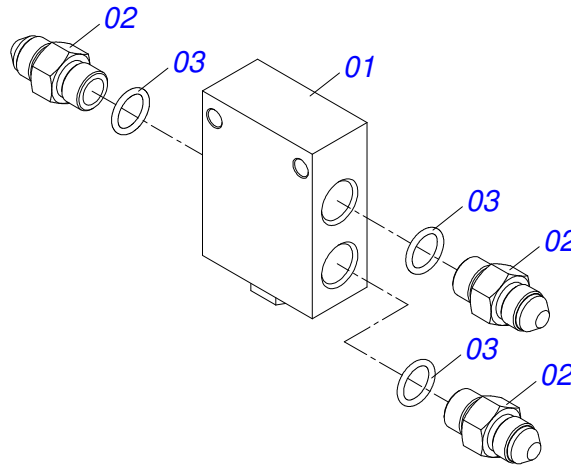
HYDRAULIC CIRCUIT

0909099277

Item	Code	Description	See page	72
16D	0503018952	PLASTIC BOLT		06
17	0501081724	HOSE		02
18	0521053168	3/8" X 270" TR-TM HOSE		01
18A	0503034495	HYDRAULIC HOSE GRIP (RED)		01
18B	0503034492	HYDRAULIC HOSE GRIP (BLACK)		01
18C	0503018952	PLASTIC BOLT		03
18D	0501082196	3/8 X 6120 TR-TM HOSE		01
19	0521053107	3/8 X 7500 TR-TM HOSE BLACK / BLUE		01
19A	0501080349	3/8" X 7500 TR-TM HOSE		01
19B	0503034492	HYDRAULIC HOSE GRIP (BLACK)		01
19C	0503018952	PLASTIC BOLT		03
19D	0503034494	HYDRAULIC HOSE GRIP (BLUE)		01
20	0511018012	HIDRAULIC ADAPTER		02

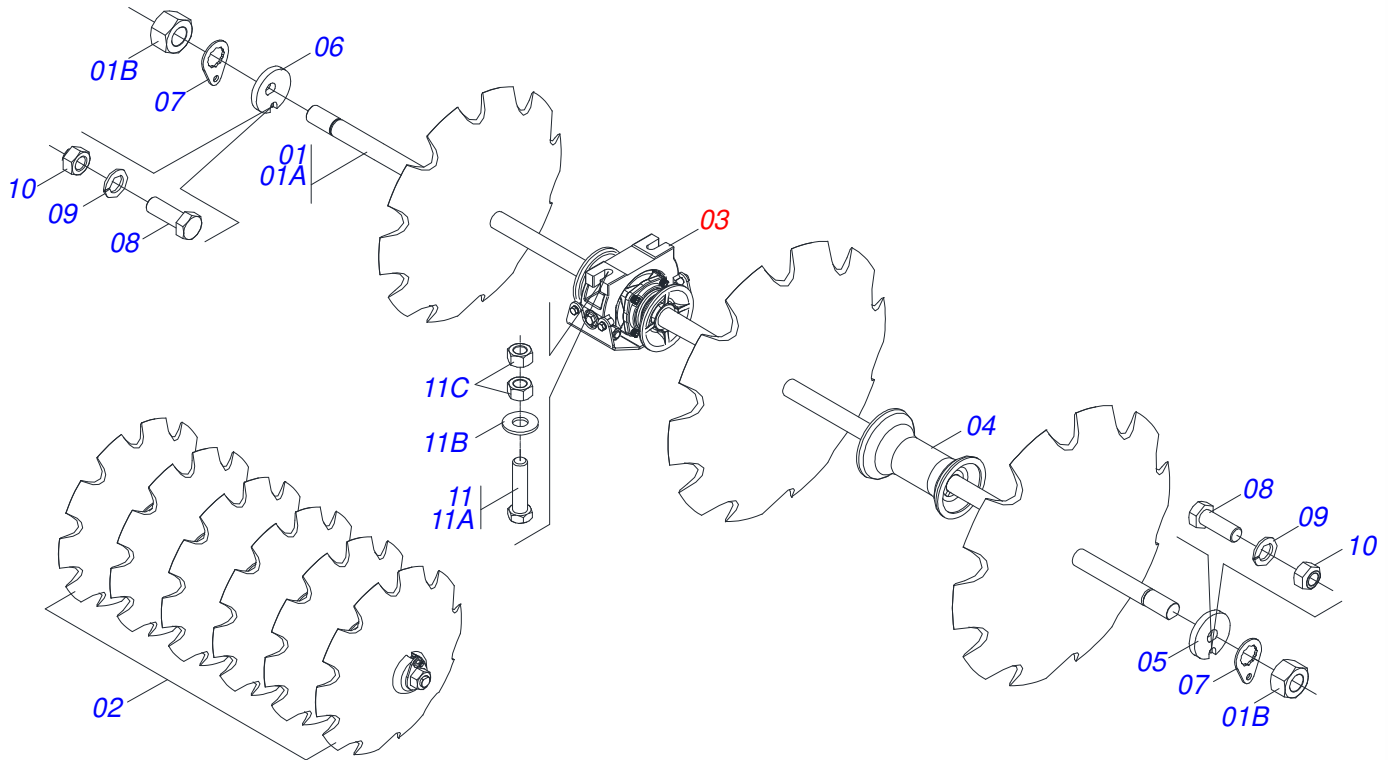


Item	Code	Description	See page	QT
01	0501068493	2.5" X 10.7" CYLINDER CASE		01
02	0521066630	38,10 X 313 STEM		01
03	0503030385	CYLINDER PLUG N-002		02
04	0503010002	1800 GREASE FITTING		01
05	0502012837	PISTON		01
06	0503018005	RING		01
07	0503011109	2-119 N 3006-9B O'RING		01
08	0503010163	D-1500 SCRAPER RING		01
09	0502010471	MOBILE COVER		01
10	0581010668	RING SUPPORT		01
11	0503018004	RING		01
12	0503018003	GASKET		01
13	0503018163	BACK-UP RING		02
14	0503018162	O'RING		02

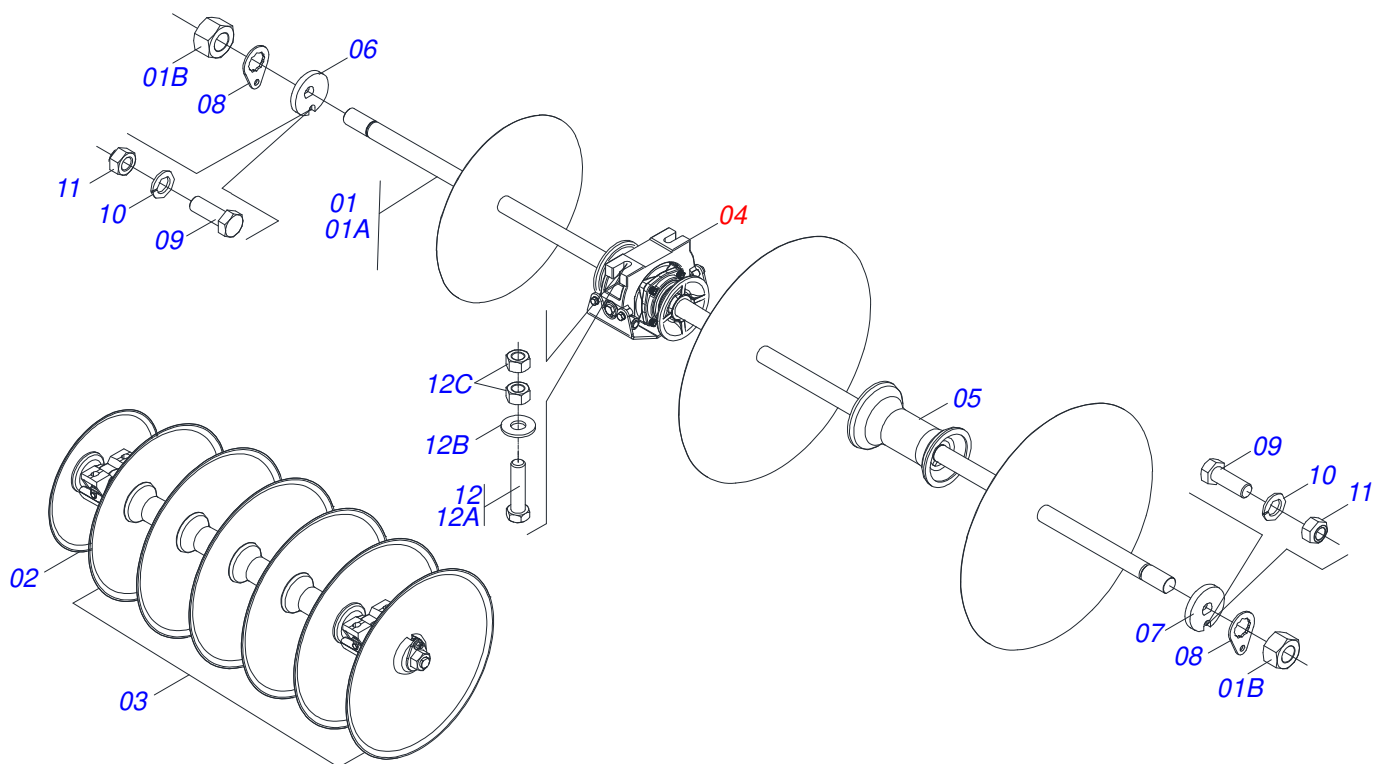


Item	Code	Description	See page	QT
01	0503012481	FLOW DIVIDING VALVE		01
02	0501010617	3/4" NIPPLE		03
03	0503010190	2-114 N 3006-9B O'RING		03

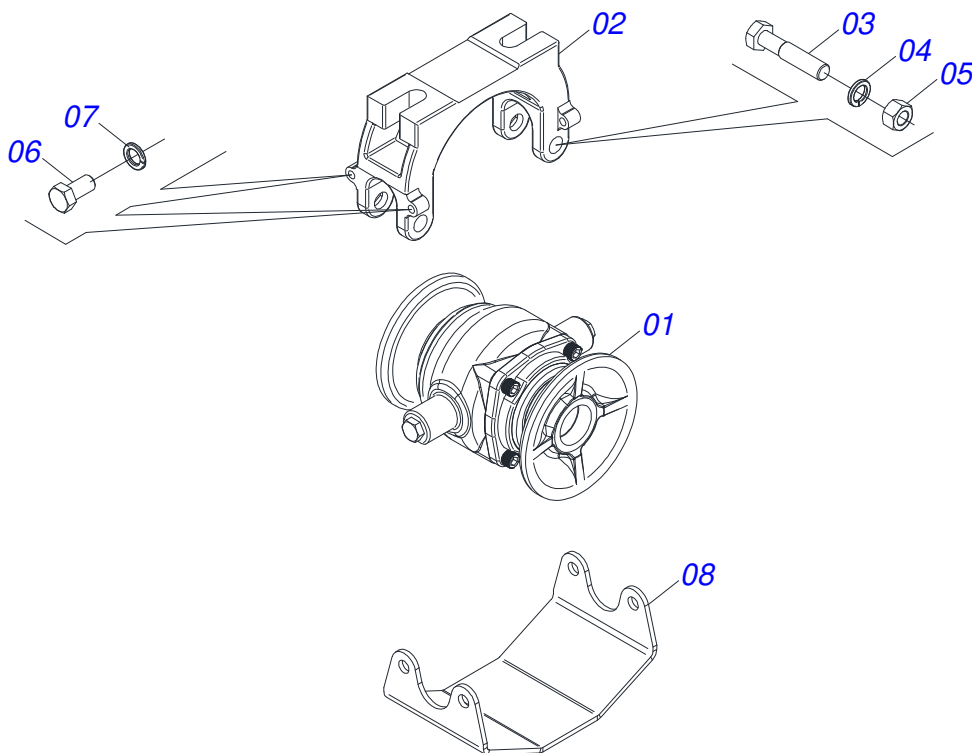




Item	Code	Description	See page	QT
01	0521059183	AXIS 1.1/2 6FPP X 3470 WITH NUT		02
01A	0591015177	AXLE 1.1/2 X 3470		01
01B	0501010110	1.1/2" NUT		02
02	0602029416	DR22X4,5 C64AF02FR1.9/16 10REC TATU		36
03	0521047187	BEARING	23	12
04	0502010627	SPACER		18
05	0502010871	1-1/2" EXTERNAL AXLE WASHER		02
06	0502010872	1-1/2" INNER AXLE WASHER		02
07	0501018592	1.5/8" NUT LOCK		04
08	0503011267	BOLT 5/8 UNC X 1.1/2 C S G.5 ZN		04
09	0503010027	5/8" SPRING WASHER		04
10	0503010013	5/8" NUT		04
11	0521059224	SCREW ASSEMBLY		12
11A	0501013233	5/8" X 2-3/4" BOLT		01
11B	0503010013	5/8" NUT		02
11C	0501012140	FLAT WASHER		01



Item	Code	Description	See page	QT
01	0521059183	AXIS 1.1/2 6FPP X 3470 WITH NUT		02
01A	0591015177	AXLE 1.1/2 X 3470		01
01B	0501010110	1.1/2" NUT		02
02	0601027299	DL20X4,5 C57AF02FR1.9/16 TATU		02
03	0601029413	DL22X4,5 C64AF02FR1.9/16 TATU		34
04	0521047187	BEARING	23	12
05	0502010627	SPACER		18
06	0502010871	1-1/2" EXTERNAL AXLE WASHER		02
07	0502010872	1-1/2" INNER AXLE WASHER		02
08	0501018592	1.5/8" NUT LOCK		04
09	0503011267	BOLT 5/8 UNC X 1.1/2 C S G.5 ZN		04
10	0503010027	5/8" SPRING WASHER		04
11	0503010013	5/8" NUT		04
12	0521059224	SCREW ASSEMBLY		12
12A	0501013233	5/8" X 2-3/4" BOLT		01
12B	0503010013	5/8" NUT		02
12C	0501012140	FLAT WASHER		01



Item	Code	Description	See page	QT
001	0521050840	SWIVEL OIL BATH BEARING 192,5 X 1.1/2		01
002	0502012854	BEARING SUPPORT		01
003	0501011541	5/8" X 3" BOLT		02
004	0503010027	5/8" SPRING WASHER		02
005	0503010013	5/8" NUT		02
006	0503011334	BOLT 3/8 UNC X 3/4 CS G.5 ZN		04
007	0503010025	3/8" SPRING WASHER		04
008	0581014143	SWIVEL OIL BATH BEARING WEAR PLATE		01





**MARCHESAN**

**Technical Publications | Elaboration and Revision**

LORENA ROCHA ALVES

[www.marchesan.com.br](http://www.marchesan.com.br)

