

HINGE TYPE OFFSET DISK HARROW

**GNFH 48/52/56/60/64/68/72/76/80/84D - WITH
PA - PN11L15**

Code: 0501092818

Series: S-0618

Revision: 00

Date Revision: ABRIL/2021

PARTS CATALOGUE



MARCHESAN



PRODUCTS

Code	Description
0102480069	GNFH 48 X 20 X 3,50 DM MT PA PN 11L15 S-0618
0102480070	GNFH 48 X 20 X 4,50 DM MT PA PN 11L15 S-0618
0102480075	GNFH 48 X 22 X 3,50 DM DR PA PN 11L15 S-0618
0102480071	GNFH 48 X 22 X 3,50 DM MT PA PN 11L15 S-0618
0102480074	GNFH 48 X 22 X 4,50 DM DR PA PN 11L15 S-0618
0102480072	GNFH 48 X 22 X 4,50 DM MT PA PN 11L15 S-0618
0102480073	GNFH 48 X 24 X 4,50 DM MT PA PN 11L15 S-0618
0102480076	GNFH 52 X 20 X 3,50 DM MT PA PN 11L15 S-0618
0102480077	GNFH 52 X 20 X 4,50 DM MT PA PN 11L15 S-0618
0102480078	GNFH 52 X 22 X 3,50 DM MT PA PN 11L15 S-0618
0102480081	GNFH 52 X 22 X 4,50 DM DR PA PN 11L15 S-0618
0102480079	GNFH 52 X 22 X 4,50 DM MT PA PN 11L15 S-0618
0102480080	GNFH 52 X 24 X 4,50 DM MT PA PN 11L15 S-0618
0102480082	GNFH 56 X 20 X 3,50 DM MT PA PN 11L15 S-0618
0102480083	GNFH 56 X 20 X 4,50 DM MT PA PN 11L15 S-0618
0102480084	GNFH 56 X 22 X 3,50 DM MT PN 11L15 PA S-0618
0102480088	GNFH 56 X 22 X 4,50 CM MT PA PN 11L15 S-0618
0102480087	GNFH 56 X 22 X 4,50 DM DR PA PN 11L15 S-0618
0102480085	GNFH 56 X 22 X 4,50 DM MT PA PN 11L15 S-0618
0102480086	GNFH 56 X 24 X 4,50 DM MT PA PN 11L15 S-0618
0102480089	GNFH 60 X 20 X 3,50 DM MT PA PN 11L15 S-0618
0102480095	GNFH 60 X 24 X 4,50 DM DR PA PN 11L15 S-0618
0102480096	GNFH 64 X 20 X 3,50 DM MT PA PN 11L15 S-0618
0102480097	GNFH 64 X 20 X 4,50 DM MT PA PN 11L15 S-0618
0102480098	GNFH 64 X 20 X 4,50 DM MT PA PN 11L15 S-0618
0102480101	GNFH 64 X 22 X 4,50 DM DR PA PN 11L15 S-0618
0102480099	GNFH 64 X 22 X 4,50 DM MT PA PN 11L15 S-0618
0102480100	GNFH 64 X 24 X 4,50 DM MT PA PN 11L15 S-0618
0102480102	GNFH 68 X 20 X 3,50 DM MT PA PN 11L15 S-0618
0102480103	GNFH 68 X 20 X 4,50 DM MT PA PN 11L15 S-0618

ATTENTION: IMPORTANT

Marchesan S.A. reserves the right to improve and/or modify the technical features of its products, without obligation to do the same with those products already sold and without prior knowledge of the dealer or the consumer. The photos are only illustrative.



PRODUCTS

0102480104	GNFH 68 X 22 X 3,50 DM MT PA PN 11L15 S-0618
0102480107	GNFH 68 X 22 X 4,50 DM DR PA PN 11L15 S-0618
0102480105	GNFH 68 X 22 X 4,50 DM MT PA PN 11L15 S-0618
0102480106	GNFH 68 X 24 X 4,50 DM MT PA PN 11L15 S-0618
0102480108	GNFH 72 X 20 X 3,50 DM MT PA PN 11L15 S-0618
0102480114	GNFH 72 X 20 X 4,50 DM DR PA PN 11L15 S-0618
0102480109	GNFH 72 X 20 X 4,50 DM MT PA PN 11L15 S-0618
0102480110	GNFH 72 X 22 X 3,50 DM MT PA PN 11L15 S-0618
0102480065	GNFH 72 X 22 X 4,50 DM DR PA PN 11L15 S-0618
0102480111	GNFH 72 X 22 X 4,50 DM MT PA PN 11L15 S-0618
0102480113	GNFH 72 X 24 X 4,50 DM DR PA PN 11L15 S-0618
0102480112	GNFH 72 X 24 X 4,50 DM MT PA PN 11L15 S-0618
0102480115	GNFH 76 X 20 X 3,50 DM MT PA PN 11L15 S-0618
0102480116	GNFH 76 X 20 X 4,50 DM MT PA PN 11L15 S-0618
0102480117	GNFH 76 X 22 X 3,50 DM MT PA PN 11L15 S-0618
0102480120	GNFH 76 X 22 X 4,50 DM DR PA PN 11L15 S-0618
0102480118	GNFH 76 X 22 X 4,50 DM MT PA PN 11L15 S-0618
0102480121	GNFH 76 X 24 X 4,50 DM DR PA PN 11L15 S-0618
0102480119	GNFH 76 X 24 X 4,50 DM MT PA PN 11L15 S-0618
0102480122	GNFH 80 X 20 X 3,50 DM MT PA PN 11L15 S-0618
0102480123	GNFH 80 X 20 X 4,50 DM MT PA PN 11L15 S-0618
0102480124	GNFH 80 X 22 X 3,50 DM MT PA PN 11L15 S-0618
0102480125	GNFH 80 X 22 X 3,50 DM MT PA PN 11L15 S-0618
0102480127	GNFH 80 X 24 X 4,50 DM DR PA PN 11L15 S-0618
0102480126	GNFH 80 X 24 X 4,50 DM MT PA PN 11L15 S-0618
0102480128	GNFH 84 X 20 X 3,50 DM MT PA PN 11L15 S-0618
0102480129	GNFH 84 X 20 X 4,50 DM MT PA PN 11L15 S-0618
0102480130	GNFH 84 X 22 X 3,50 DM MT PA PN 11L15 S-0618
0102480134	GNFH 84 X 22 X 4,50 DM DR PA PN 11L15 S-0618
0102480131	GNFH 84 X 22 X 4,50 DM MT PA PN 11L15 S-0618
0102480133	GNFH 84 X 24 X 4,50 DM DR PA PN 11L15 S-0618

ATTENTION: IMPORTANT

Marchesan S.A. reserves the right to improve and/or modify the technical features of its products, without obligation to do the same with those products already sold and without prior knowledge of the dealer or the consumer. The photos are only illustrative.



PRODUCTS

0102480132

GNFH 84 X 24 X 4,50 DM MT PA PN 11L15 S-0618

ATTENTION: IMPORTANT

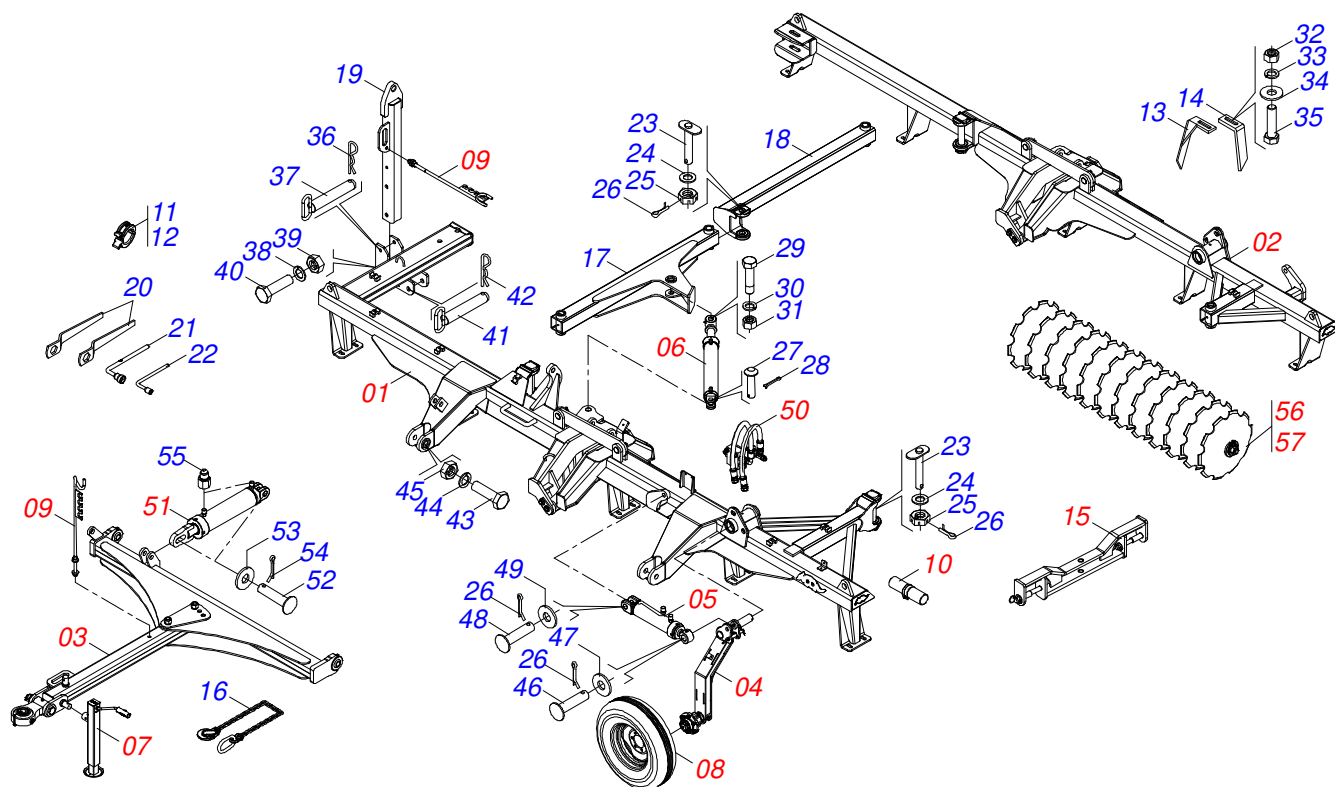
Marchesan S.A. reserves the right to improve and/or modify the technical features of its products, without obligation to do the same with those products already sold and without prior knowledge of the dealer or the consumer. The photos are only illustrative.



MARCHESAN

INDEX

0909099280	FRAME ASSY 48D	1
0909099281	FRAME ASSY 52/56/60D	2
0909099282	FRAME ASSY 64/68/72D	3
0909099283	FRAME ASSY	4
0521053498	FRONT FRAME SEMI MOUNTED 48	5
0521053370	FRONT FRAME SEMI MOUNTED 52	6
0521053364	FRONT FRAME SEMI MOUNTED 56	7
0521053499	FRONT FRAME SEMI MOUNTED 60	8
0521053501	FRONT FRAME SEMI MOUNTED 64	9
0521053504	FRONT FRAME SEMI MOUNTED 68	10
0521053367	FRONT FRAME SEMI MOUNTED 72	11
0521054042	FRONT FRAME SEMI MOUNTED 76	12
0521054036	FRONT FRAME SEMI MOUNTED 80	13
0521054008	FRONT FRAME SEMI MOUNTED 84	14
0521053497	REAR FRAME 48	15
0521053371	REAR FRAME 52	16
0521053362	REAR FRAME 56	17
0521053500	REAR FRAME 60	18
0521053502	REAR FRAME 64	19
0521053503	REAR FRAME 68	20
0521053396	REAR FRAME 72	21
0521054043	REAR FRAME 76	22
0521054056	REAR FRAME 80	23
0521053984	REAR FRAME 84	24
0521048204	DRAWBAR ASSY 36 A 48D	25
0521044870	DRAWBAR ASSY	26
0501044359	DRAWBAR ASSY	27
0521053943	HITCH WITH ASSY ROTULA SUPPORT	28
0521048125	WHEELS ASSY	29
0503060181	WHEEL AND TIRE	30
0521052217	ASSY WHEEL CUBE	31
0521056810	HYDRAULIC CYLINDER 44,45X76,20X405X170	32
0511058461	HYDRAULIC CYLINDER	33
0503062157	HEADER JACK	34
0501040257	3/4 X 1200 HOSE HOLDER A	35
0521058303	CAT 2-3 TRANSPORT BAR ASSY	36
0521053516	ASSY PORT MANUAL INSTRUCCION	37
0909094921	HYDRAULIC CIRCUIT - 48/52/56/60/64D	38
0909094922	HYDRAULIC CIRCUIT - 68/72/76/80/84D	39
0521058302	HYDRAULIC CYLINDER 44,45X85,7X600X265	40
0909094924	FRONT GANG DISC - 48/52/56/60/64D	41
0909094925	FRONT GANG DISC - 68/72/76/80/84D	42
0909094926	REAR GANG DISC - 48/52/56/60/64D	43
0909094927	REAR GANG DISC - 68/72/76/80/84D	44
0501047055	BEARING	45
0501047045	BEARING	46

FRAME ASSY 48D


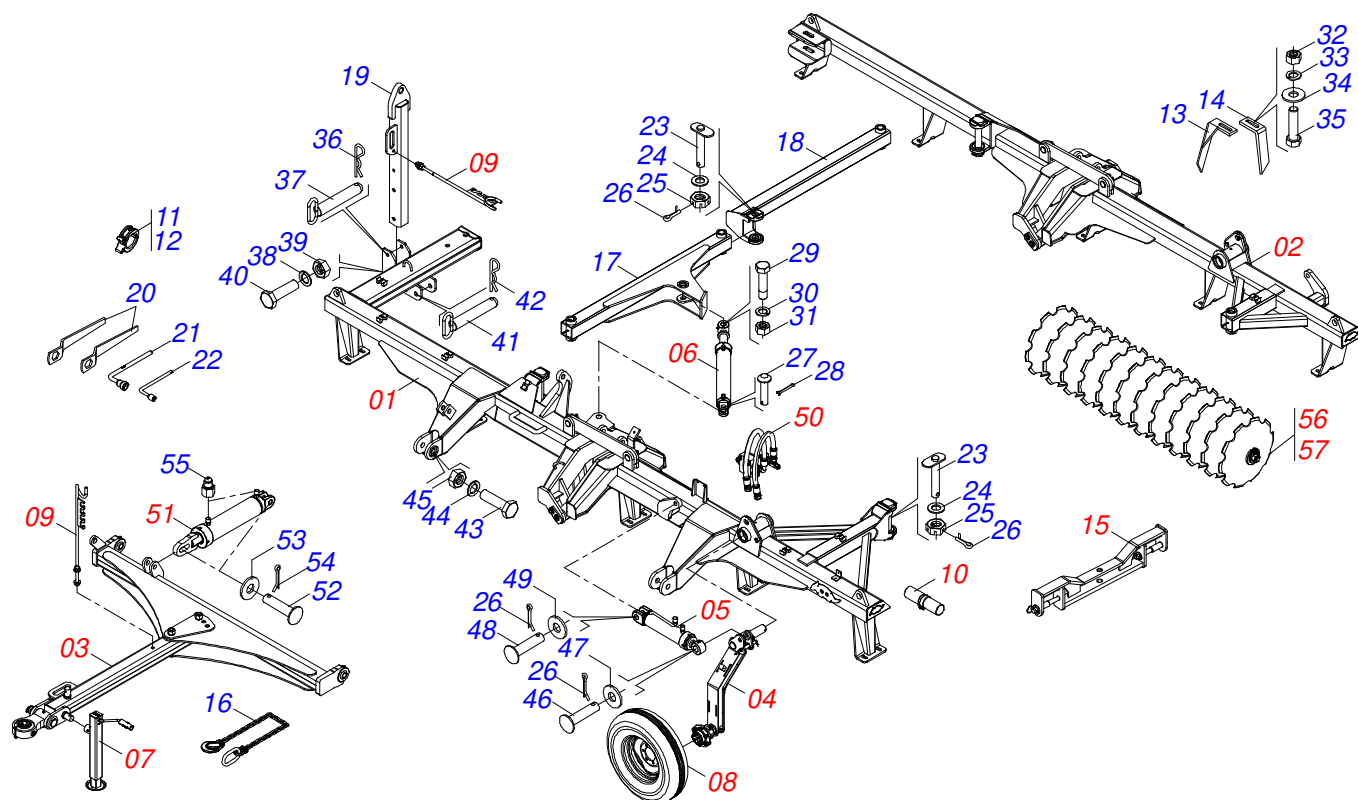
Item	Code	Description	See page	QT
01	0521053498	FRONT FRAME SEMI MOUNTED 48	5	01
02	0521053497	REAR FRAME 48	15	01
03	0521048204	DRAWBAR ASSY 36 A 48D	25	01
04	0521048125	WHEELS ASSY	29	02
05	0521056810	HYDRAULIC CYLINDER 44,45X76,20X405X170	32	02
06	0511058461	HYDRAULIC CYLINDER	33	01
07	0503062157	HEADER JACK	34	02
08	0503060181	WHEEL AND TIRE	30	02
09	0501040257	3/4 X 1200 HOSE HOLDER A	35	01
10	0521053516	ASSY PORT MANUAL INSTRUCCION	37	01
11	0501047895	ROD STOP		06
12	0501047885	ROD STOP		04
13	0501063963	FRONT SCRAPER		17
14	0501063962	REAR SCRAPER		17
15	0521058303	CAT 2-3 TRANSPORT BAR ASSY	36	01
16	0503013150	1300 X 3/8 CHAIN		01
17	0521068803	FRONT STABILIZER BAR		01
18	0521068804	REAR STABILIZER BAR		01
19	0521067573	1000 GNFM TRANSPORT BAR		01
20	0501011432	1-1/2" AND 1-5/8 GANG BOLT WRENCH		02
21	0501061617	1" GANG BOLT WRENCH		01
22	0501068273	5/8" WRENCH		01
23	0531019497	1.5" X 9.2" ARTICULATED AXIS		01
24	0531019540	FLAT WASHER		01
25	0501011301	1.1/2 UNC 6FPP 2.5/16 NUT		01
26	0503010571	1/4" X 1.1/2 COTTERPIN		06
27	0521010779	31.75 X 95 COUPLING SHAFT		01
28	0503010523	1/4" X 2" COTTERPIN		01
29	0501011106	1-1/4" X 7" SCREW		01
30	0503010070	SPRING WASHER		01
31	0501010087	1.1/4" NUT		01



FRAME ASSY 48D

0909099280

Item	Code	Description	See page	QT
32	0503010060	1/2" NUT		68
33	0503010019	1/2" SPRING WASHER		68
34	0511017302	FLAT WASHER		68
35	0503011082	C1/2" X 1.3/4" SCREW		68
36	0503030012	HITCH PIN CLIP		01
37	0521064088	LOCK AXLE		01
38	0503010012	1" SPRING WASHER		01
39	0503012182	1" NUT		01
40	0501010334	1" X 7" BOLT		01
41	0521067644	JUNCTION SHAFT		01
42	0503031035	HITCH PIN CLIP		01
43	0501010426	1-1/4" X 6" SCREW		01
44	0503010070	SPRING WASHER		01
45	0501010087	1.1/4" NUT		01
46	0521010545	1.2" X 5.1" COUPLING SHAFT		02
47	0501017779	32 X 60 X 4.75 FLAT WASHER		02
48	0521010575	C0.9" X 3.3" COUPLING SHAFT		02
49	0501011445	FLAT WASHER		02
50	0909094921	HYDRAULIC CIRCUIT - 48/52/56/60/64D	38	01
51	0521058302	HYDRAULIC CYLINDER 44,45X85,7X600X265	40	01
52	0521010575	C0.9" X 3.3" COUPLING SHAFT		02
53	0501011445	FLAT WASHER		02
54	0503010571	1/4" X 1.1/2 COTTERPIN		02
55	0511018012	HIDRAULIC ADAPTER		02
56	0909094924	FRONT GANG DISC - 48/52/56/60/64D	41	01
57	0909094926	REAR GANG DISC - 48/52/56/60/64D	43	01



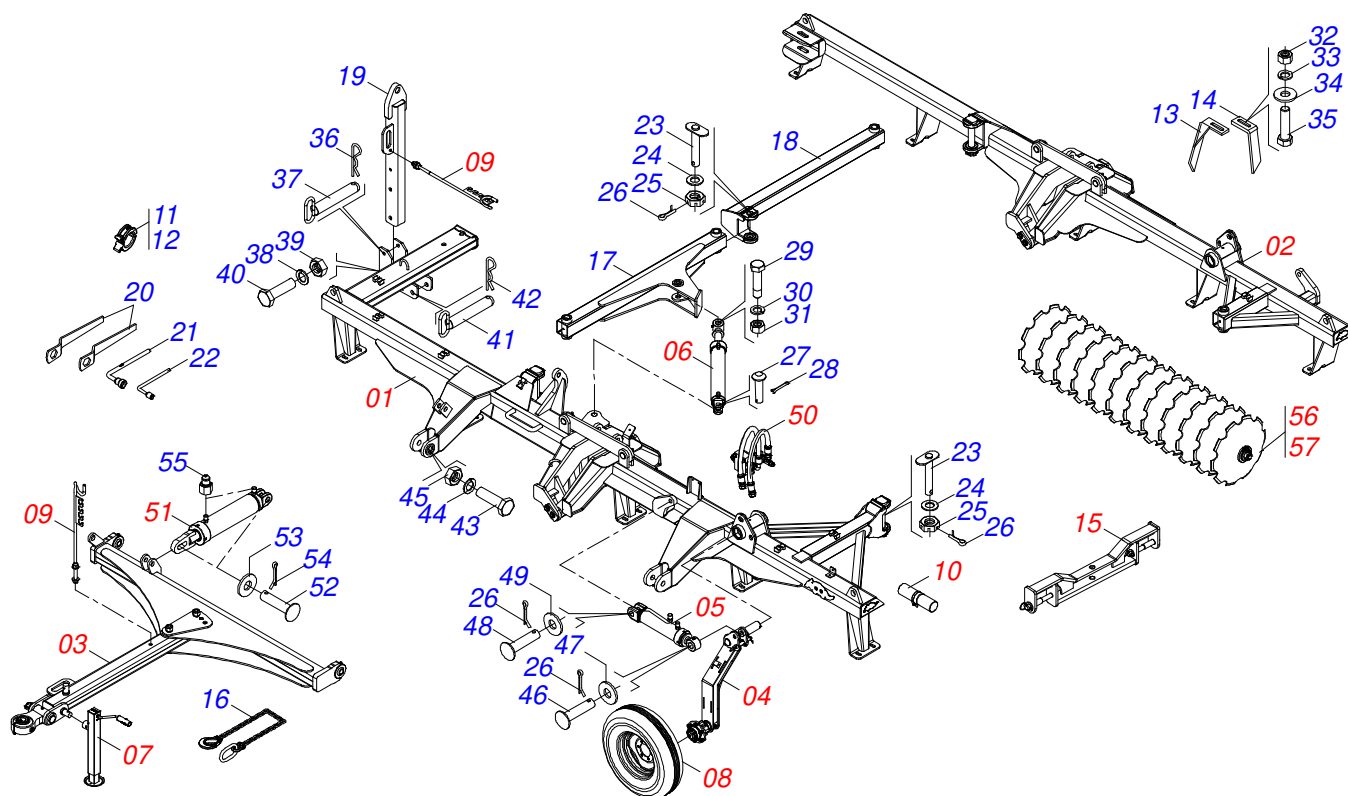
Item	Code	Description	See page	52	56	60
01	0521053370	FRONT FRAME SEMI MOUNTED 52	6	01	00	00
01.	0521053364	FRONT FRAME SEMI MOUNTED 56	7	00	01	00
01..	0521053499	FRONT FRAME SEMI MOUNTED 60	8	00	00	01
02	0521053371	REAR FRAME 52	16	01	00	00
02.	0521053362	REAR FRAME 56	17	00	01	00
02..	0521053500	REAR FRAME 60	18	00	00	01
03	0521044870	DRAWBAR ASSY	26	01	01	01
04	0521048125	WHEELS ASSY	29	02	02	02
05	0521056810	HYDRAULIC CYLINDER 44,45X76,20X405X170	32	02	02	02
06	0511058461	HYDRAULIC CYLINDER	33	01	01	01
07	0503062157	HEADER JACK	34	02	02	02
08	0503060181	WHEEL AND TIRE	30	02	02	02
09	0501040257	3/4 X 1200 HOSE HOLDER A	35	01	01	01
10	0521053516	ASSY PORT MANUAL INSTRUCCION	37	01	01	01
11	0501047895	ROD STOP		06	06	06
12	0501047885	ROD STOP		04	04	04
13	0501063963	FRONT SCRAPER		17	21	23
14	0501063962	REAR SCRAPER		17	21	23
15	0521058303	CAT 2-3 TRANSPORT BAR ASSY	36	01	01	01
16	0503013150	1300 X 3/8 CHAIN		01	01	01
17	0521068803	FRONT STABILIZER BAR		01	01	01
18	0521068804	REAR STABILIZER BAR		01	01	01
19	0521067573	1000 GNFM TRANSPORT BAR		01	01	01
20	0501011432	1-1/2" AND 1-5/8 GANG BOLT WRENCH		02	02	02
21	0501061617	1" GANG BOLT WRENCH		01	01	01
22	0501068273	5/8" WRENCH		01	01	01
23	0531019497	1.5" X 9.2" ARTICULATED AXIS		01	01	01
24	0531019540	FLAT WASHER		01	01	01
25	0501011301	1.1/2 UNC 6FPP 2.5/16 NUT		01	01	01
26	0503010010	1/4" X 2.1/2" COTTERPIN		04	04	04
27	0521010779	31.75 X 95 COUPLING SHAFT		01	01	01



FRAME ASSY 52/56/60D

0909099281

Item	Code	Description	See page	52	56	60
28	0503010523	1/4" X 2" COTTERPIN		01	01	01
29	0501011106	1-1/4" X 7" SCREW		01	01	01
30	0503010070	SPRING WASHER		01	01	01
31	0501010087	1.1/4" NUT		01	01	01
32	0503010060	1/2" NUT		68	84	92
33	0503010019	1/2" SPRING WASHER		68	84	92
34	0511017302	FLAT WASHER		68	84	92
35	0503011082	C1/2" X 1.3/4" SCREW		68	84	92
36	0503030012	HITCH PIN CLIP		01	01	01
37	0521064088	LOCK AXLE		01	01	01
38	0503010012	1" SPRING WASHER		01	01	01
39	0503012182	1" NUT		01	01	01
40	0501010334	1" X 7" BOLT		01	01	01
41	0521067644	JUNCTION SHAFT		01	01	01
42	0503031035	HITCH PIN CLIP		01	01	01
43	0501010426	1-1/4" X 6" SCREW		01	01	01
44	0503010070	SPRING WASHER		01	01	01
45	0501010087	1.1/4" NUT		01	01	01
46	0521010545	1.2" X 5.1" COUPLING SHAFT		02	02	02
47	0501017779	32 X 60 X 4.75 FLAT WASHER		02	02	02
48	0521010575	C0.9" X 3.3" COUPLING SHAFT		02	02	02
49	0501011445	FLAT WASHER		02	02	02
50	0909094921	HYDRAULIC CIRCUIT - 48/52/56/60/64D	38	01	01	01
51	0521058302	HYDRAULIC CYLINDER 44,45X85,7X600X265	40	01	01	01
52	0521010575	C0.9" X 3.3" COUPLING SHAFT		02	02	02
53	0501011445	FLAT WASHER		02	02	02
54	0503010571	1/4" X 1.1/2 COTTERPIN		02	02	02
55	0511018012	HIDRAULIC ADAPTER		02	02	02
56	0909094924	FRONT GANG DISC - 48/52/56/60/64D	41	01	01	01
57	0909094926	REAR GANG DISC - 48/52/56/60/64D	43	01	01	01



Item	Code	Description	See page	064 068 072
01	0521053501	FRONT FRAME SEMI MOUNTED 64	9	001 000 000
01.	0521053504	FRONT FRAME SEMI MOUNTED 68	10	000 001 000
01..	0521053367	FRONT FRAME SEMI MOUNTED 72	11	000 000 001
02	0521053502	REAR FRAME 64	19	001 000 000
02.	0521053503	REAR FRAME 68	20	000 001 000
02..	0521053396	REAR FRAME 72	21	000 000 001
03	0521044870	DRAWBAR ASSY	26	001 001 001
04	0521048125	WHEELS ASSY	29	002 002 002
05	0521056810	HYDRAULIC CYLINDER 44,45X76,20X405X170	32	002 002 002
06	0511058461	HYDRAULIC CYLINDER	33	001 001 001
07	0503062157	HEADER JACK	34	002 002 002
08	0503060181	WHEEL AND TIRE	30	002 002 002
09	0501040257	3/4 X 1200 HOSE HOLDER A	35	001 001 001
10	0521053516	ASSY PORT MANUAL INSTRUCCION	37	001 001 001
11	0501047895	ROD STOP		006 006 006
12	0501047885	ROD STOP		004 004 004
13	0501063963	FRONT SCRAPER		023 025 027
14	0501063962	REAR SCRAPER		023 025 027
15	0521058303	CAT 2-3 TRANSPORT BAR ASSY	36	001 001 001
16	0503013150	1300 X 3/8 CHAIN		001 001 001
17	0521068803	FRONT STABILIZER BAR		001 001 001
18	0521068804	REAR STABILIZER BAR		001 001 001
19	0521067573	1000 GNFM TRANSPORT BAR		001 001 001
20	0501011432	1-1/2" AND 1-5/8 GANG BOLT WRENCH		002 002 002
21	0501061617	1" GANG BOLT WRENCH		001 001 001
22	0501068273	5/8" WRENCH		001 001 001
23	0531019497	1.5" X 9.2" ARTICULATED AXIS		001 001 001
24	0531019540	FLAT WASHER		001 001 001
25	0501011301	1.1/2 UNC 6FPP 2.5/16 NUT		001 001 001
26	0503010571	1/4" X 1.1/2 COTTERPIN		006 006 006
27	0521010779	31.75 X 95 COUPLING SHAFT		001 001 001

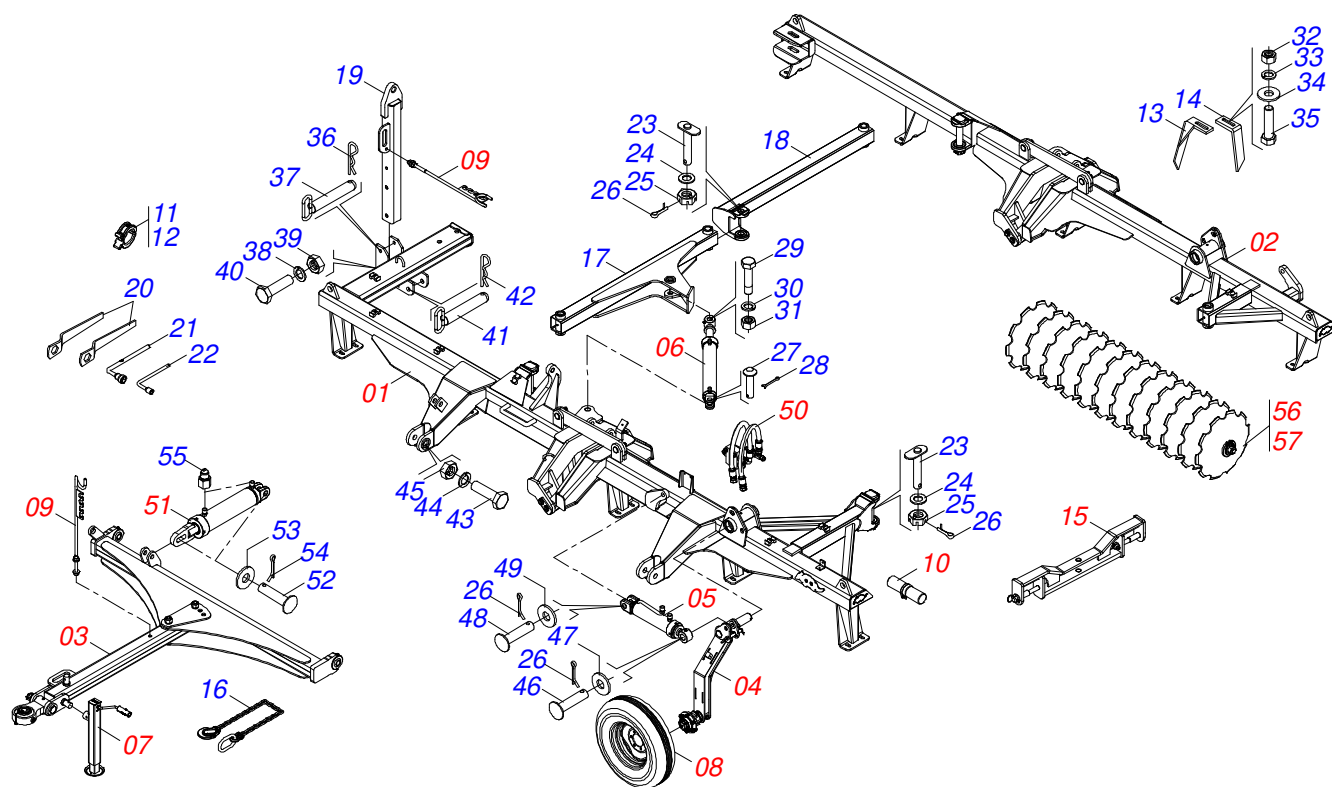


FRAME ASSY 64/68/72D

0909099282

Item	Code	Description	See page	064 068 072
28	0503010523	1/4" X 2" COTTERPIN		001 001 001
29	0501011106	1-1/4" X 7" SCREW		001 001 001
30	0503010070	SPRING WASHER		001 001 001
31	0501010087	1.1/4" NUT		001 001 001
32	0503010060	1/2" NUT		092 100 108
33	0503010019	1/2" SPRING WASHER		092 100 108
34	0511017302	FLAT WASHER		092 100 108
35	0503011082	C1/2" X 1.3/4" SCREW		092 100 108
36	0503030012	HITCH PIN CLIP		001 001 001
37	0521064088	LOCK AXLE		001 001 001
38	0503010012	1" SPRING WASHER		001 001 001
39	0503012182	1" NUT		001 001 001
40	0501010334	1" X 7" BOLT		001 001 001
41	0521067644	JUNCTION SHAFT		001 001 001
42	0503031035	HITCH PIN CLIP		001 001 001
43	0501010426	1-1/4" X 6" SCREW		001 001 001
44	0503010070	SPRING WASHER		001 001 001
45	0501010087	1.1/4" NUT		001 001 001
46	0521010545	1.2" X 5.1" COUPLING SHAFT		002 002 002
47	0501017779	32 X 60 X 4.75 FLAT WASHER		002 002 002
48	0521010575	C0.9" X 3.3" COUPLING SHAFT		002 002 002
49	0501011445	FLAT WASHER		002 002 002
50	0909094921	HYDRAULIC CIRCUIT - 48/52/56/60/64D	38	001 000 000
50.	0909094922	HYDRAULIC CIRCUIT - 68/72/76/80/84D	39	000 001 001
51	0521058302	HYDRAULIC CYLINDER 44,45X85,7X600X265	40	001 001 001
52	0521010575	C0.9" X 3.3" COUPLING SHAFT		002 002 002
53	0501011445	FLAT WASHER		002 002 002
54	0503010571	1/4" X 1.1/2" COTTERPIN		002 002 002
55	0511018012	HIDRAULIC ADAPTER		002 002 002
56	0909094924	FRONT GANG DISC - 48/52/56/60/64D	41	001 000 000
56.	0909094925	FRONT GANG DISC - 68/72/76/80/84D	42	000 001 001
57	0909094926	REAR GANG DISC - 48/52/56/60/64D	43	001 000 000
57.	0909094927	REAR GANG DISC - 68/72/76/80/84D	44	000 001 001

FRAME ASSY



Item	Code	Description	See page	076 080 084
01	0521054042	FRONT FRAME SEMI MOUNTED 76	12	001 000 000
01.	0521054036	FRONT FRAME SEMI MOUNTED 80	13	000 001 000
01..	0521054008	FRONT FRAME SEMI MOUNTED 84	14	000 000 001
02	0521054043	REAR FRAME 76	22	001 000 000
02.	0521054056	REAR FRAME 80	23	000 001 000
02..	0521053984	REAR FRAME 84	24	000 000 001
03	0521044870	DRAWBAR ASSY	26	001 001 001
04	0521048125	WHEELS ASSY	29	002 002 002
05	0521056810	HYDRAULIC CYLINDER 44,45X76,20X405X170	32	002 002 002
06	0511058461	HYDRAULIC CYLINDER	33	001 001 001
07	0503062157	HEADER JACK	34	002 002 002
08	0503060181	WHEEL AND TIRE	30	002 002 002
09	0501040257	3/4 X 1200 HOSE HOLDER A	35	001 001 001
10	0521053516	ASSY PORT MANUAL INSTRUCCION	37	001 001 001
11	0501047895	ROD STOP		006 006 006
12	0501047885	ROD STOP		004 004 004
13	0501063963	FRONT SCRAPER		027 029 029
14	0501063962	REAR SCRAPER		027 029 029
15	0521058303	CAT 2-3 TRANSPORT BAR ASSY	36	001 001 001
16	0503013150	1300 X 3/8 CHAIN		001 001 001
17	0521068803	FRONT STABILIZER BAR		001 001 001
18	0521068804	REAR STABILIZER BAR		001 001 001
19	0521067573	1000 GNFM TRANSPORT BAR		001 001 001
20	0501011432	1-1/2" AND 1-5/8 GANG BOLT WRENCH		002 002 002
21	0501061617	1" GANG BOLT WRENCH		001 001 001
22	0501068273	5/8" WRENCH		001 001 001
23	0531019497	1.5" X 9.2" ARTICULATED AXIS		001 001 001
24	0531019540	FLAT WASHER		001 001 001
25	0501011301	1.1/2 UNC 6FPP 2.5/16 NUT		001 001 001
26	0503010571	1/4" X 1.1/2 COTTERPIN		006 006 006
27	0521010779	31.75 X 95 COUPLING SHAFT		001 001 001

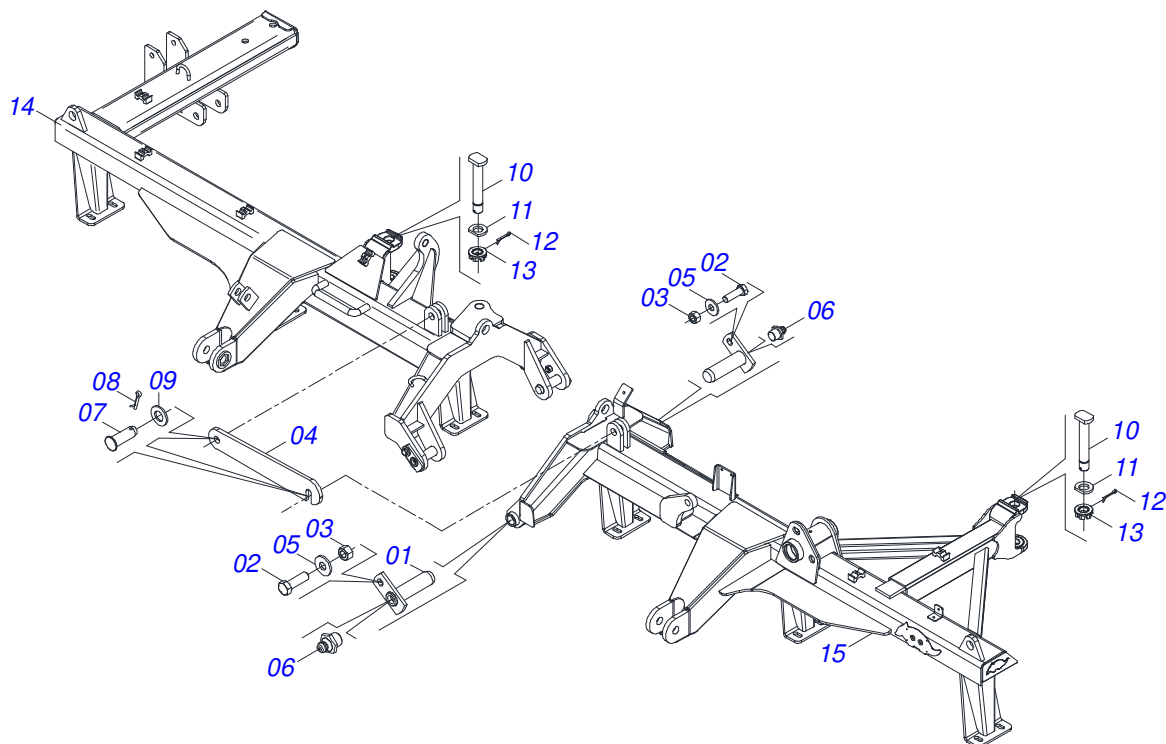


FRAME ASSY

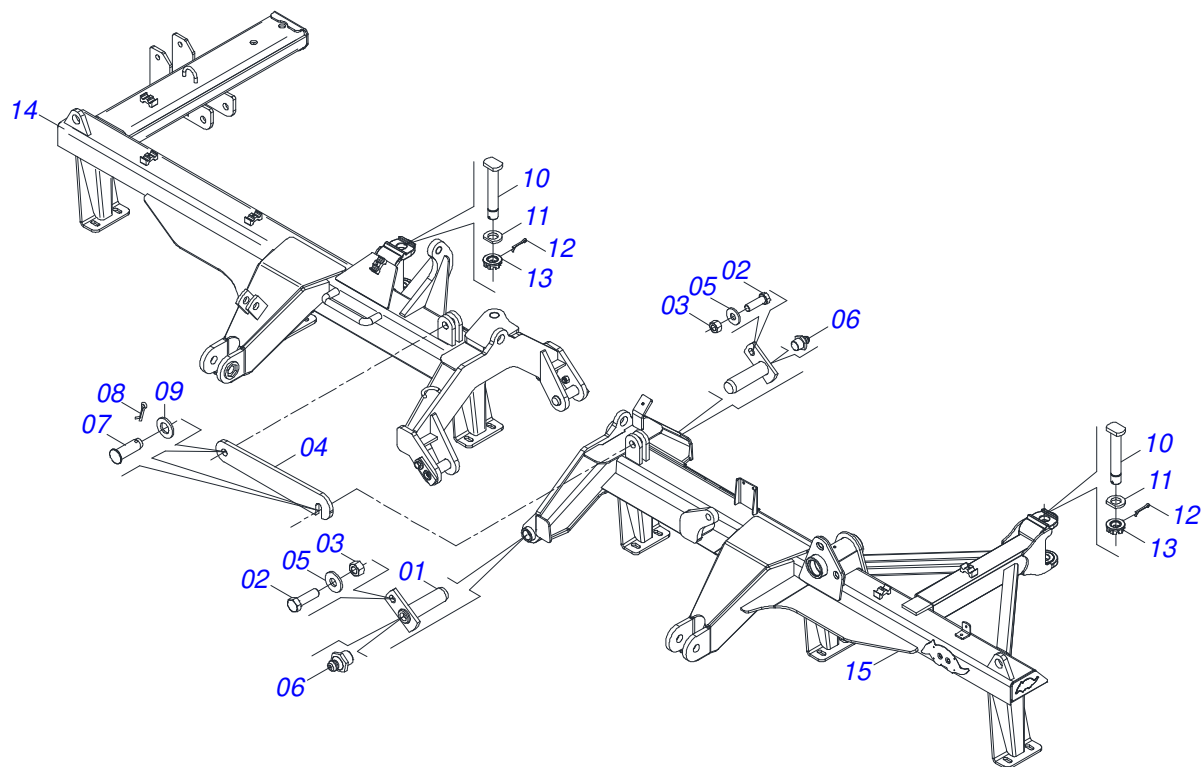
0909099283

Item	Code	Description	See page	076 080 084
28	0503010523	1/4" X 2" COTTERPIN		001 001 001
29	0501011106	1-1/4" X 7" SCREW		001 001 001
30	0503010070	SPRING WASHER		001 001 001
31	0501010087	1.1/4" NUT		001 001 001
32	0503010060	1/2" NUT		108 116 116
33	0503010019	1/2" SPRING WASHER		108 116 116
34	0511017302	FLAT WASHER		108 116 116
35	0503011082	C1/2" X 1.3/4" SCREW		108 116 116
36	0503030012	HITCH PIN CLIP		001 001 001
37	0521064088	LOCK AXLE		001 001 001
38	0503010012	1" SPRING WASHER		001 001 001
39	0503012182	1" NUT		001 001 001
40	0501010334	1" X 7" BOLT		001 001 001
41	0521067644	JUNCTION SHAFT		001 001 001
42	0503031035	HITCH PIN CLIP		001 001 001
43	0501010426	1-1/4" X 6" SCREW		001 001 001
44	0503010070	SPRING WASHER		001 001 001
45	0501010087	1.1/4" NUT		001 001 001
46	0521010545	1.2" X 5.1" COUPLING SHAFT		002 002 002
47	0501017779	32 X 60 X 4.75 FLAT WASHER		002 002 002
48	0521010575	C0.9" X 3.3" COUPLING SHAFT		002 002 002
49	0501011445	FLAT WASHER		002 002 002
50	0909094922	HYDRAULIC CIRCUIT - 68/72/76/80/84D	39	001 001 001
51	0521058302	HYDRAULIC CYLINDER 44,45X85,7X600X265	40	001 001 001
52	0521010575	C0.9" X 3.3" COUPLING SHAFT		002 002 002
53	0501011445	FLAT WASHER		002 002 002
54	0503010571	1/4" X 1.1/2" COTTERPIN		002 002 002
55	0511018012	HIDRAULIC ADAPTER		002 002 002
56	0909094925	FRONT GANG DISC - 68/72/76/80/84D	42	001 001 001
57	0909094927	REAR GANG DISC - 68/72/76/80/84D	44	001 001 001

FRONT FRAME SEMI MOUNTED 48

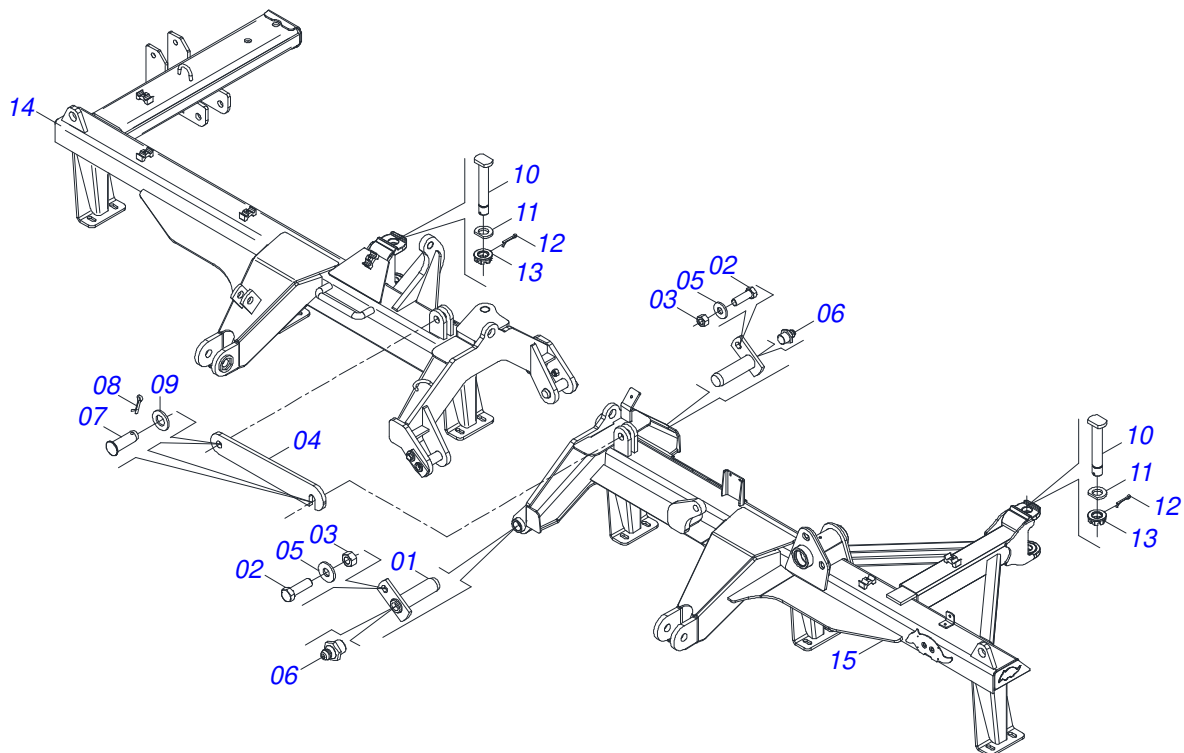


Item	Code	Description	See page	QT
001	0501063751	1.5" X 5.5" PIVOT SHAFT		02
002	0501010100	SCREW 5/8 UNC X 2 CS G.5 ZN		02
003	0503010013	5/8" NUT		02
004	0501018941	TRANSPORT LOCK		01
005	0501012140	FLAT WASHER		02
006	0503010002	1800 GREASE FITTING		02
007	0521010592	1.1" X 3.1" COUPLING SHAFT		02
008	0503010571	1/4" X 1.1/2" COTTERPIN		02
009	0511017480	FLAT WASHER		02
010	0531019497	1.5" X 9.2" ARTICULATED AXIS		02
011	0531019540	FLAT WASHER		02
012	0503010010	1/4" X 2.1/2" COTTERPIN		02
013	0501011301	1.1/2 UNC 6FPP 2.5/16 NUT		02
014	0521068828	RIGHT FRONT FRAME 48		01
015	0521068835	LEFT FRONT FRAME 48		01



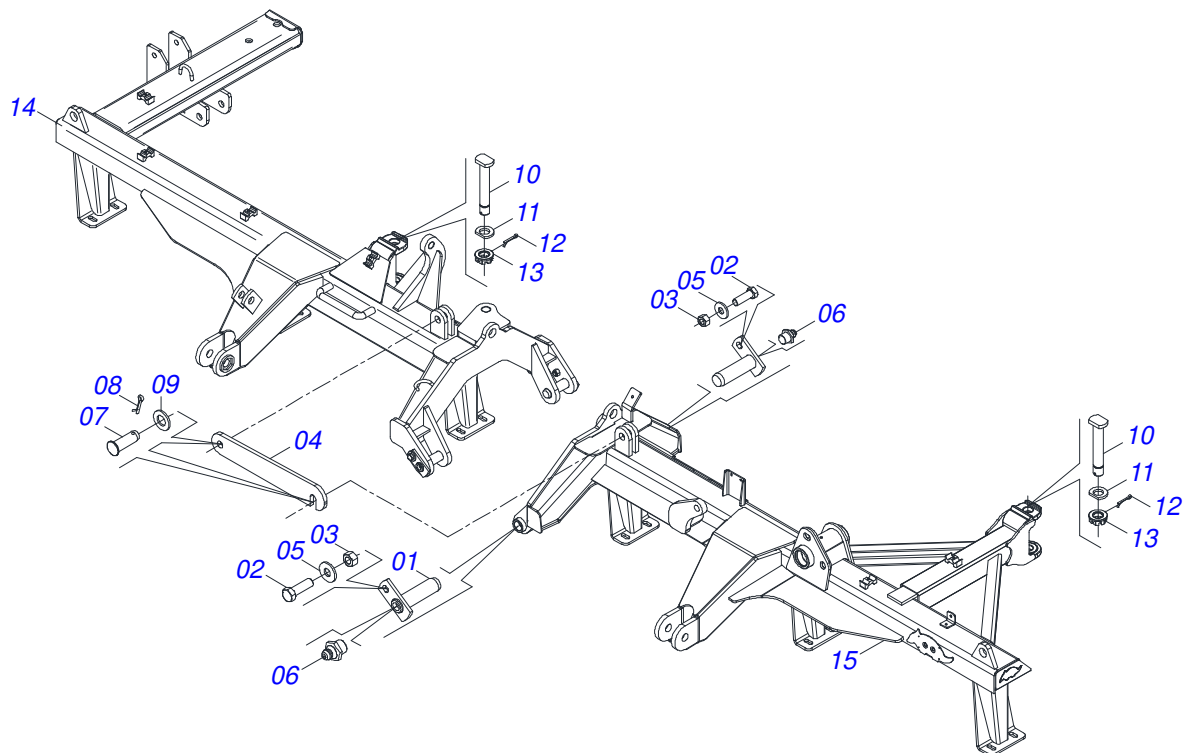
Item	Code	Description	See page	QT
001	0501063751	1.5" X 5.5" PIVOT SHAFT		02
002	0501010100	SCREW 5/8 UNC X 2 CS G.5 ZN		02
003	0503010013	5/8" NUT		02
004	0501018941	TRANSPORT LOCK		01
005	0501012140	FLAT WASHER		02
006	0503010002	1800 GREASE FITTING		02
007	0521010592	1.1" X 3.1" COUPLING SHAFT		02
008	0503010571	1/4" X 1.1/2" COTTERPIN		02
009	0511017480	FLAT WASHER		02
010	0531019497	1.5" X 9.2" ARTICULATED AXIS		02
011	0531019540	FLAT WASHER		02
012	0503010010	1/4" X 2.1/2" COTTERPIN		02
013	0501011301	1.1/2 UNC 6FPP 2.5/16 NUT		02
014	0521068913	RIGHT FRONT FRAME 52		01
015	0521068914	LEFT FRONT FRAME 52		01

FRONT FRAME SEMI MOUNTED 56

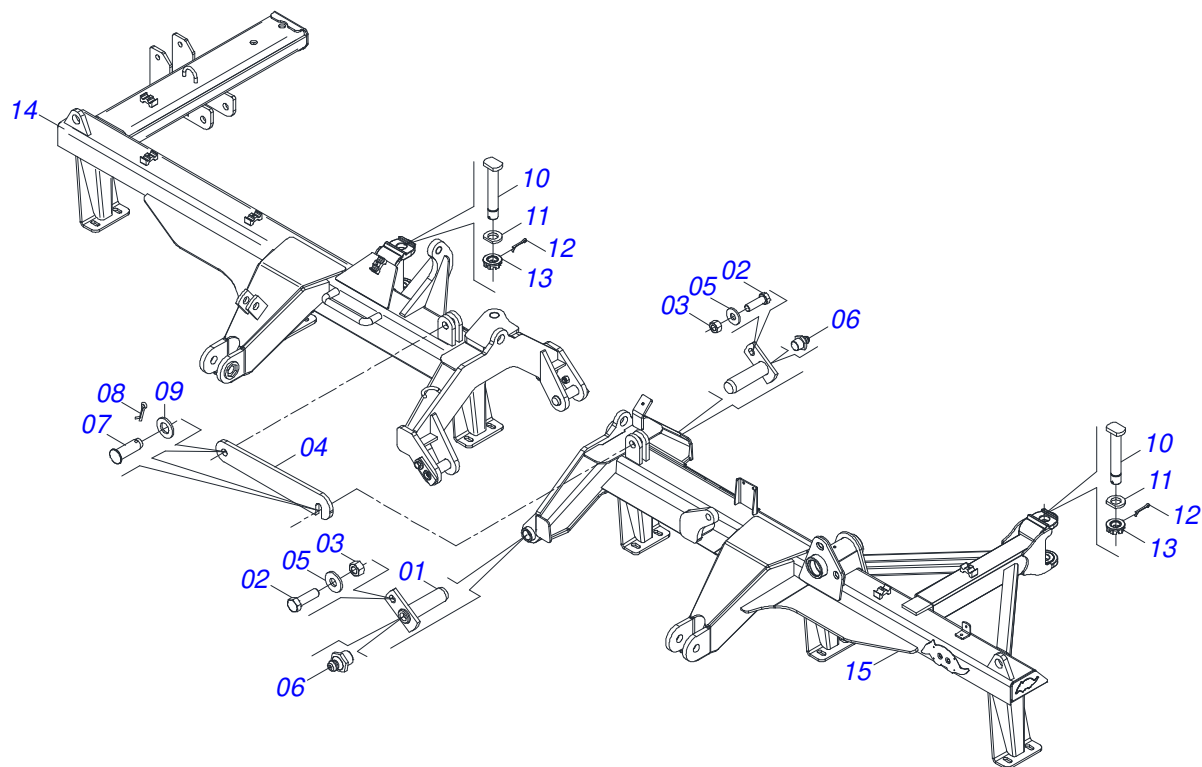


Item	Code	Description	See page	QT
001	0501063751	1.5" X 5.5" PIVOT SHAFT		02
002	0501010100	SCREW 5/8 UNC X 2 CS G.5 ZN		02
003	0503010013	5/8" NUT		02
004	0501018941	TRANSPORT LOCK		01
005	0501012140	FLAT WASHER		02
006	0503010002	1800 GREASE FITTING		02
007	0521010592	1.1" X 3.1" COUPLING SHAFT		02
008	0503010571	1/4" X 1.1/2" COTTERPIN		02
009	0511017480	FLAT WASHER		02
010	0531019497	1.5" X 9.2" ARTICULATED AXIS		02
011	0531019540	FLAT WASHER		02
012	0503010010	1/4" X 2.1/2" COTTERPIN		02
013	0501011301	1.1/2 UNC 6FPP 2.5/16 NUT		02
014	0521068897	RIGHT FRONT FRAME 56		01
015	0521068896	LEFT FRONT FRAME 56		01

FRONT FRAME SEMI MOUNTED 60

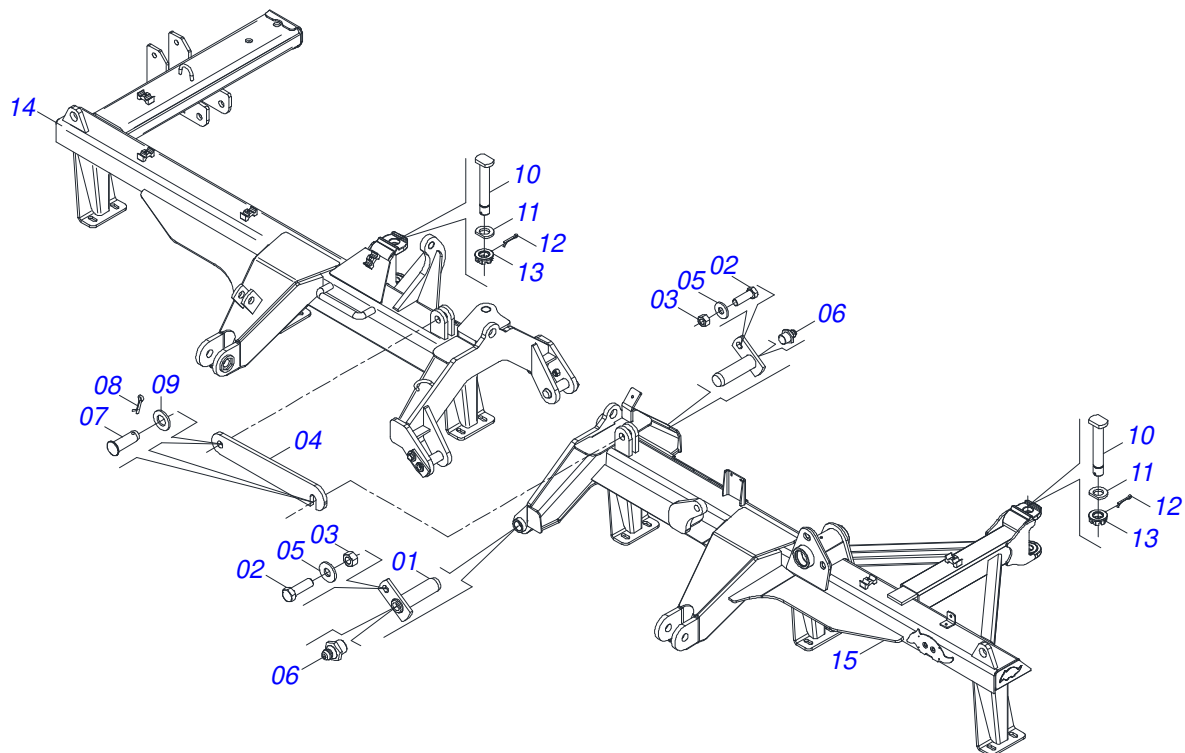


Item	Code	Description	See page	QT
001	0501063751	1.5" X 5.5" PIVOT SHAFT		02
002	0501010100	SCREW 5/8 UNC X 2 CS G.5 ZN		02
003	0503010013	5/8" NUT		02
004	0501018941	TRANSPORT LOCK		01
005	0501012140	FLAT WASHER		02
006	0503010002	1800 GREASE FITTING		02
007	0521010592	1.1" X 3.1" COUPLING SHAFT		02
008	0503010571	1/4" X 1.1/2" COTTERPIN		02
009	0511017480	FLAT WASHER		02
010	0531019497	1.5" X 9.2" ARTICULATED AXIS		02
011	0531019540	FLAT WASHER		02
012	0503010010	1/4" X 2.1/2" COTTERPIN		02
013	0501011301	1.1/2 UNC 6FPP 2.5/16 NUT		02
014	0521068805	RIGHT FRONT FRAME 60		01
015	0521068806	LEFT FRONT FRAME 60		01



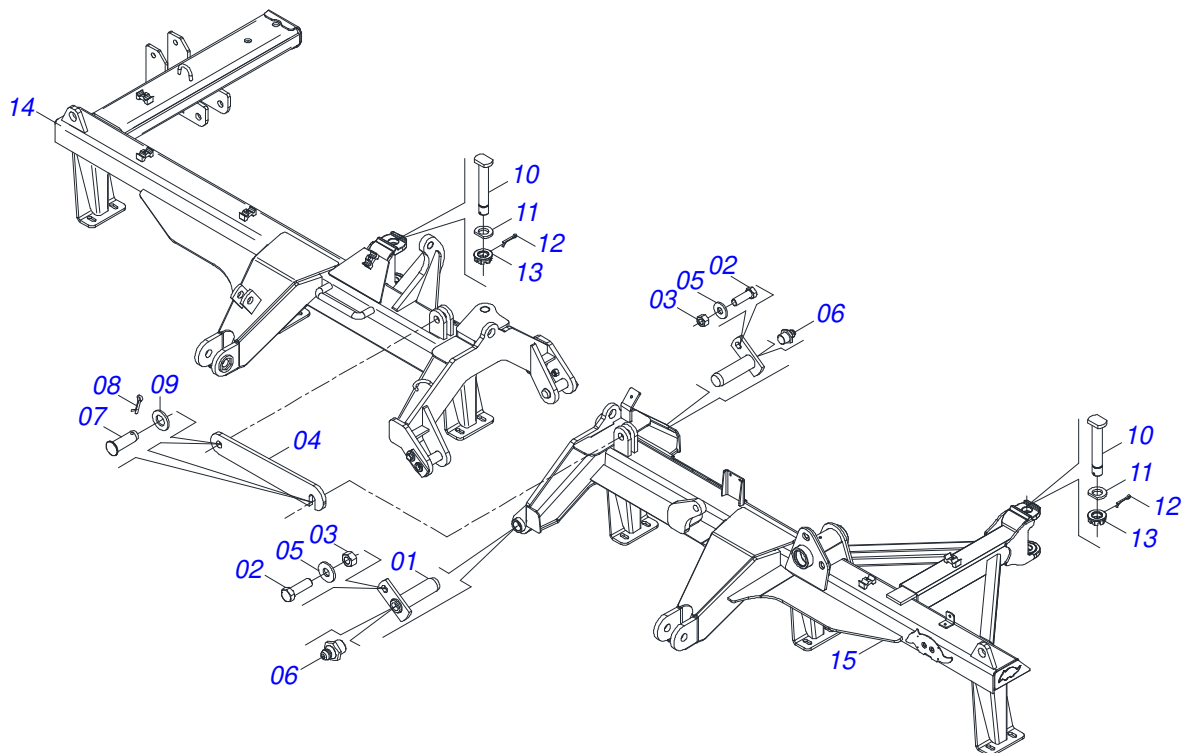
Item	Code	Description	See page	QT
001	0501063751	1.5" X 5.5" PIVOT SHAFT		02
002	0501010100	SCREW 5/8 UNC X 2 CS G.5 ZN		02
003	0503010013	5/8" NUT		02
004	0501018941	TRANSPORT LOCK		01
005	0501012140	FLAT WASHER		02
006	0503010002	1800 GREASE FITTING		02
007	0521010592	1.1" X 3.1" COUPLING SHAFT		02
008	0503010571	1/4" X 1.1/2" COTTERPIN		02
009	0511017480	FLAT WASHER		02
010	0531019497	1.5" X 9.2" ARTICULATED AXIS		02
011	0531019540	FLAT WASHER		02
012	0503010010	1/4" X 2.1/2" COTTERPIN		02
013	0501011301	1.1/2 UNC 6FPP 2.5/16 NUT		02
014	0521068786	RIGHT FRONT FRAME 64		01
015	0521068785	LEFT FRONT FRAME 64		01

FRONT FRAME SEMI MOUNTED 68

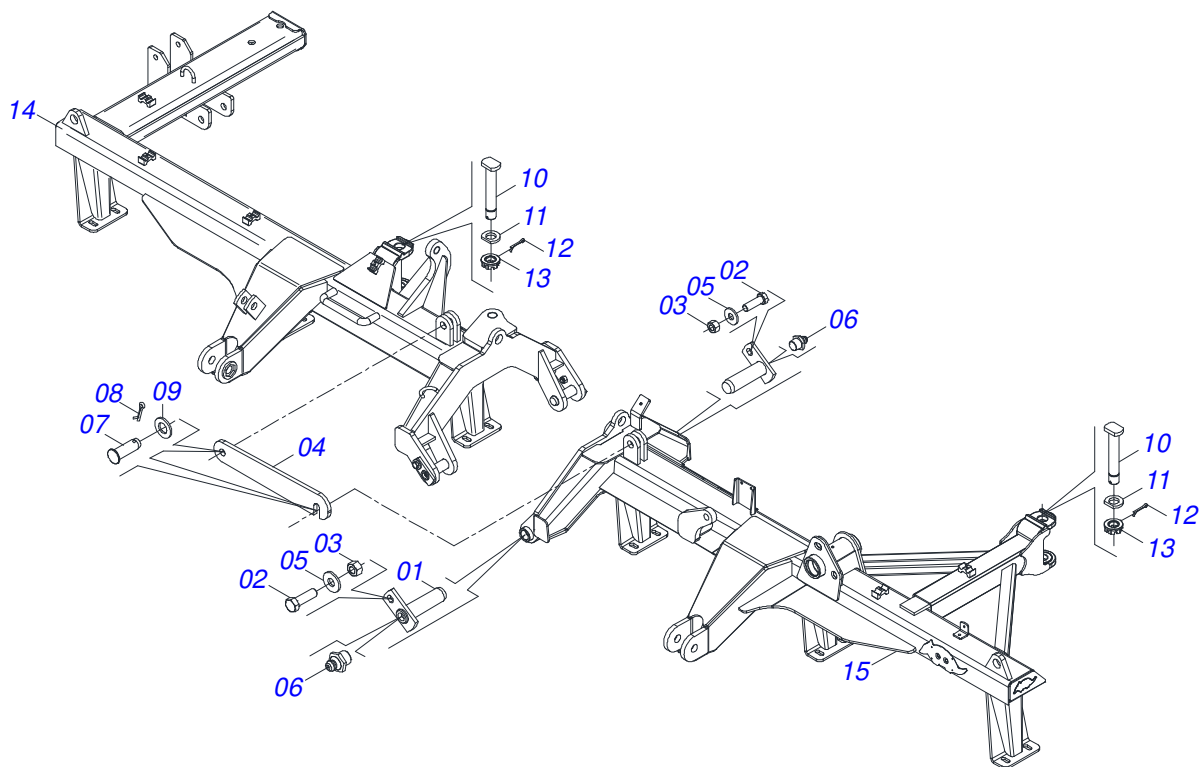


Item	Code	Description	See page	QT
001	0501063751	1.5" X 5.5" PIVOT SHAFT		02
002	0501010100	SCREW 5/8 UNC X 2 CS G.5 ZN		02
003	0503010013	5/8" NUT		02
004	0501018941	TRANSPORT LOCK		01
005	0501012140	FLAT WASHER		02
006	0503010002	1800 GREASE FITTING		02
007	0521010592	1.1" X 3.1" COUPLING SHAFT		02
008	0503010571	1/4" X 1.1/2" COTTERPIN		02
009	0511017480	FLAT WASHER		02
010	0531019497	1.5" X 9.2" ARTICULATED AXIS		02
011	0531019540	FLAT WASHER		02
012	0503010010	1/4" X 2.1/2" COTTERPIN		02
013	0501011301	1.1/2 UNC 6FPP 2.5/16 NUT		02
014	0521068777	RIGHT FRONT FRAME 68		01
015	0521068776	LEFT FRONT FRAME 68		01

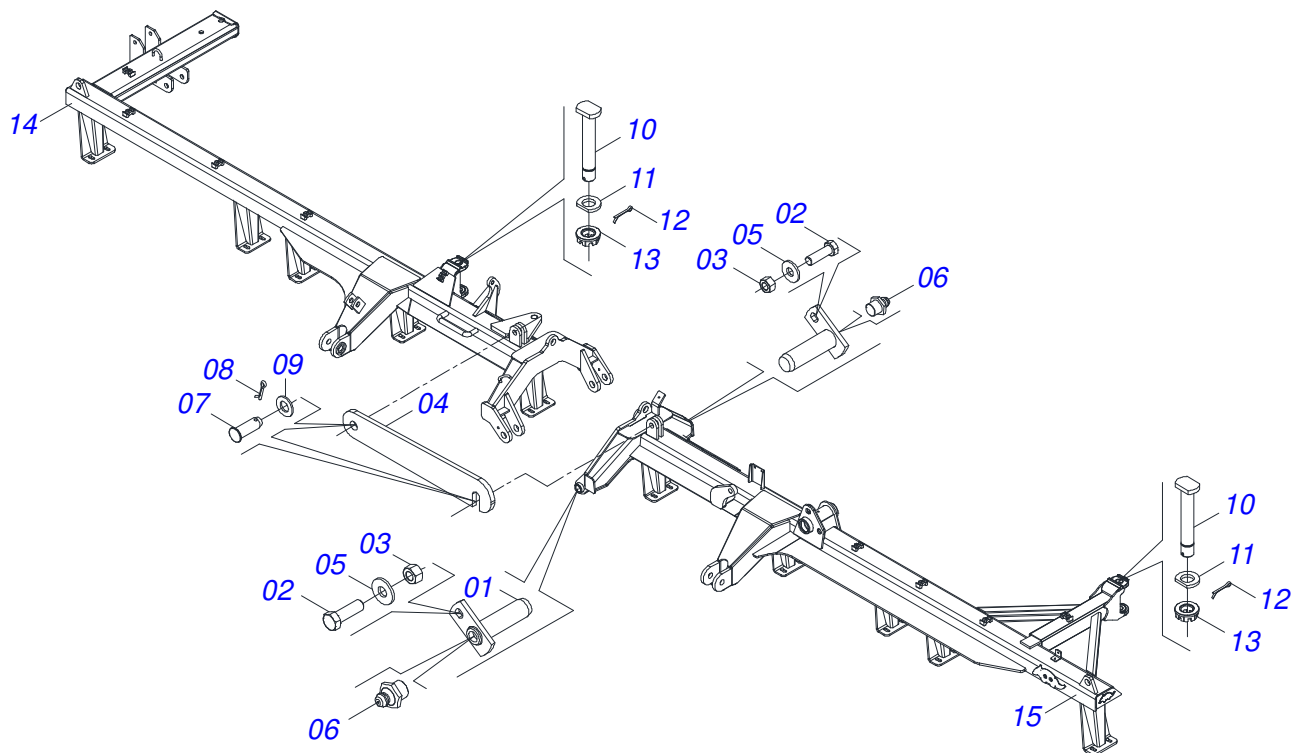
FRONT FRAME SEMI MOUNTED 72



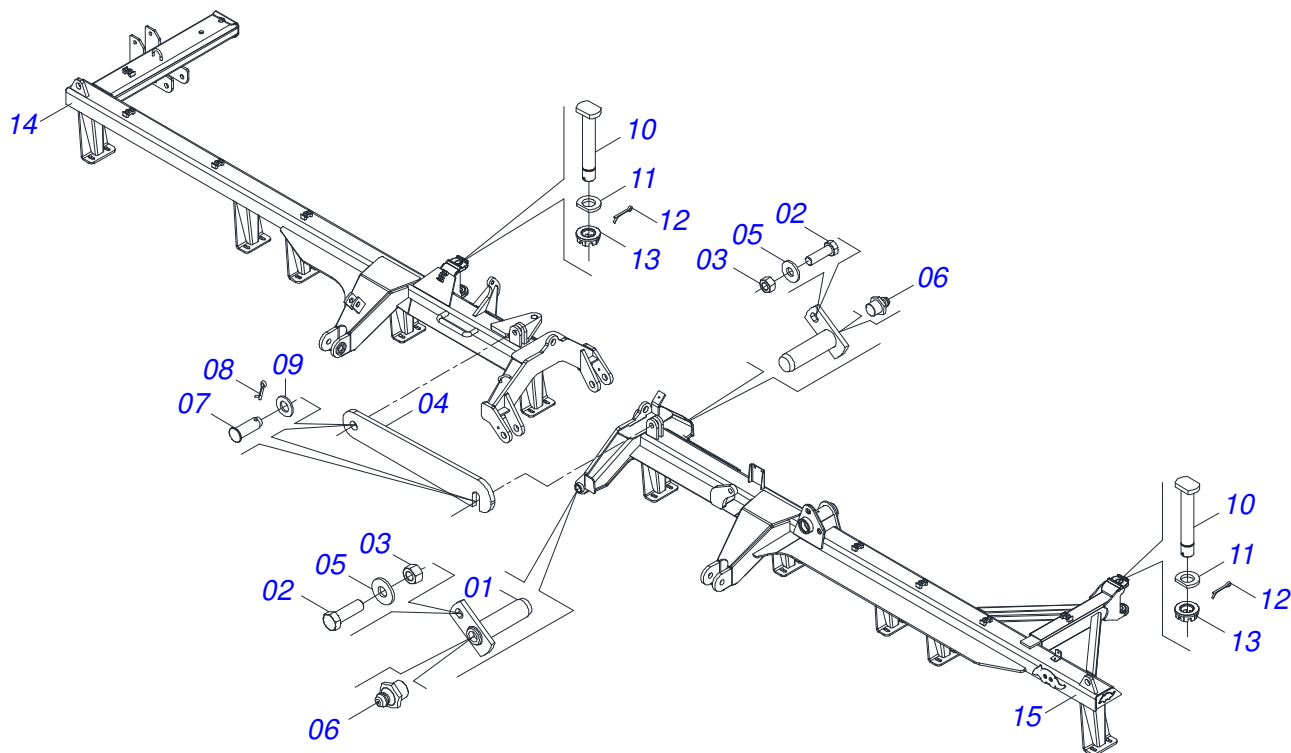
Item	Code	Description	See page	QT
001	0501063751	1.5" X 5.5" PIVOT SHAFT		02
002	0501010100	SCREW 5/8 UNC X 2 CS G.5 ZN		02
003	0503010013	5/8" NUT		02
004	0501018941	TRANSPORT LOCK		01
005	0501012140	FLAT WASHER		02
006	0503010002	1800 GREASE FITTING		02
007	0521010592	1.1" X 3.1" COUPLING SHAFT		02
008	0503010571	1/4" X 1.1/2" COTTERPIN		02
009	0511017480	FLAT WASHER		02
010	0531019497	1.5" X 9.2" ARTICULATED AXIS		02
011	0531019540	FLAT WASHER		02
012	0503010010	1/4" X 2.1/2" COTTERPIN		02
013	0501011301	1.1/2 UNC 6FPP 2.5/16 NUT		02
014	0521068771	RIGHT FRONT FRAME 72		01
015	0521068770	LEFT FRONT FRAME 72		01



Item	Code	Description	See page	QT
001	0501063751	1.5" X 5.5" PIVOT SHAFT		02
002	0501010100	SCREW 5/8 UNC X 2 CS G.5 ZN		02
003	0503010013	5/8" NUT		02
004	0501018941	TRANSPORT LOCK		01
005	0501012140	FLAT WASHER		02
006	0503010002	1800 GREASE FITTING		02
007	0521010592	1.1" X 3.1" COUPLING SHAFT		02
008	0503010571	1/4" X 1.1/2" COTTERPIN		02
009	0511017480	FLAT WASHER		02
010	0531019497	1.5" X 9.2" ARTICULATED AXIS		02
011	0531019540	FLAT WASHER		02
012	0503010010	1/4" X 2.1/2" COTTERPIN		02
013	0501011301	1.1/2 UNC 6FPP 2.5/16 NUT		02
014	0521069229	RIGHT FRONT FRAME 76		01
015	0521069213	LEFT FRONT FRAME 76		01

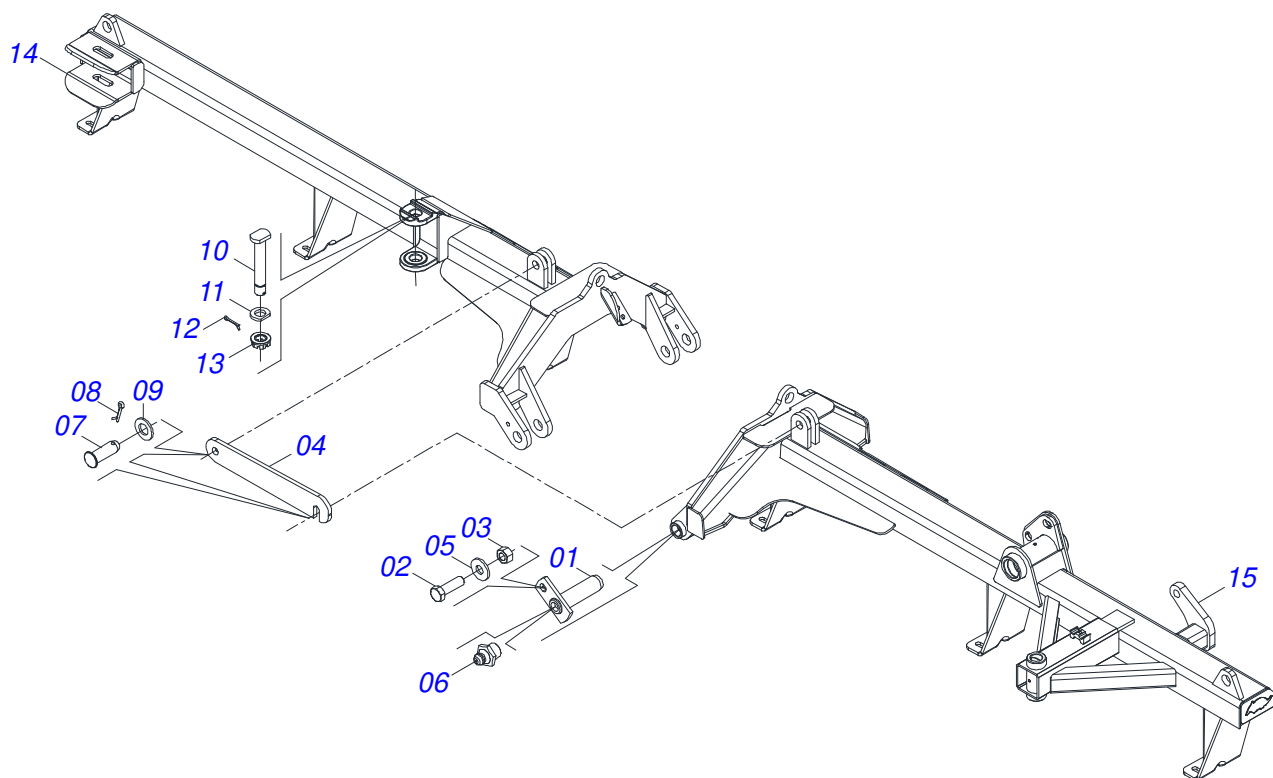


Item	Code	Description	See page	QT
001	0501063751	1.5" X 5.5" PIVOT SHAFT		02
002	0501010100	SCREW 5/8 UNC X 2 CS G.5 ZN		02
003	0503010013	5/8" NUT		02
004	0501018941	TRANSPORT LOCK		01
005	0501012140	FLAT WASHER		02
006	0503010002	1800 GREASE FITTING		02
007	0521010592	1.1" X 3.1" COUPLING SHAFT		02
008	0503010571	1/4" X 1.1/2" COTTERPIN		02
009	0511017480	FLAT WASHER		02
010	0531019497	1.5" X 9.2" ARTICULATED AXIS		02
011	0531019540	FLAT WASHER		02
012	0503010010	1/4" X 2.1/2" COTTERPIN		02
013	0501011301	1.1/2 UNC 6FPP 2.5/16 NUT		02
014	0521069220	RIGHT FRONT FRAME 80		01
015	0521069221	LEFT FRONT FRAME 80		01



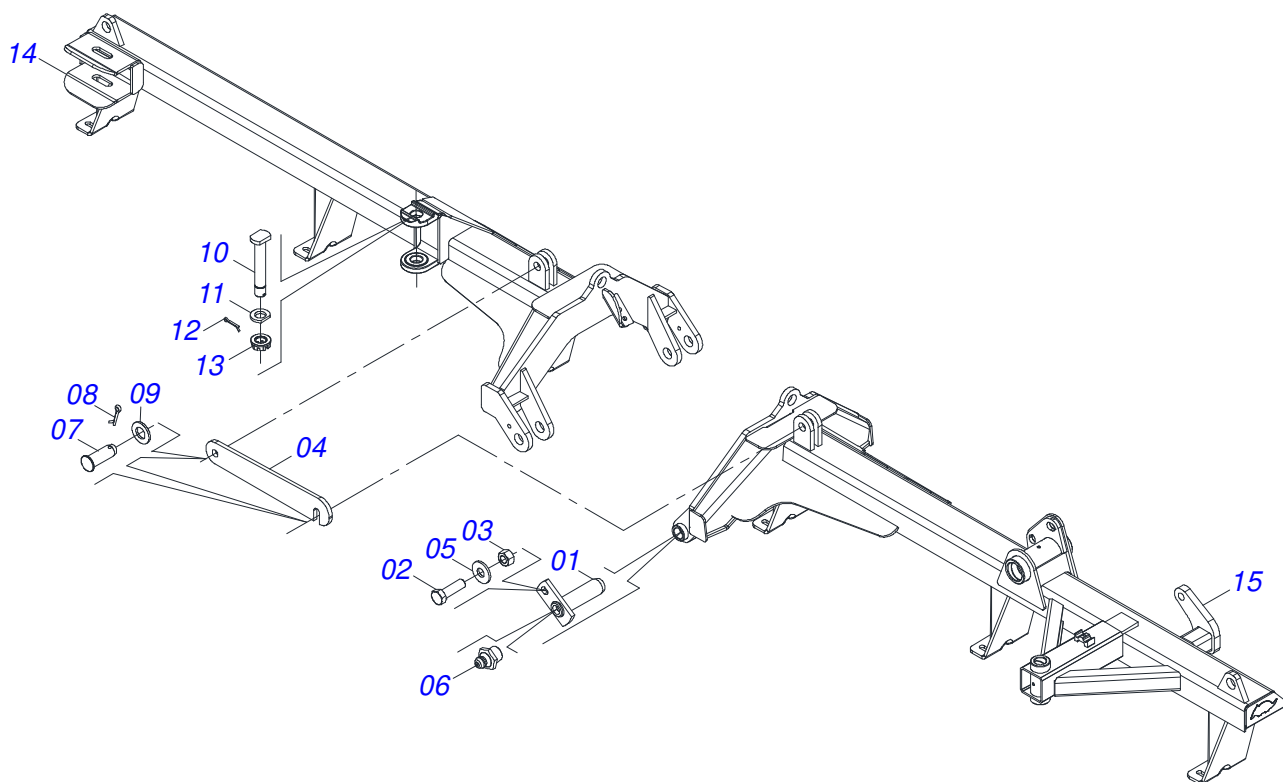
Item	Code	Description	See page	QT
001	0501063751	1.5" X 5.5" PIVOT SHAFT		02
002	0501010100	SCREW 5/8 UNC X 2 CS G.5 ZN		02
003	0503010013	5/8" NUT		02
004	0501018941	TRANSPORT LOCK		01
005	0501012140	FLAT WASHER		02
006	0503010002	1800 GREASE FITTING		02
007	0521010592	1.1" X 3.1" COUPLING SHAFT		02
008	0503010571	1/4" X 1.1/2" COTTERPIN		02
009	0511017480	FLAT WASHER		02
010	0531019497	1.5" X 9.2" ARTICULATED AXIS		02
011	0531019540	FLAT WASHER		02
012	0503010010	1/4" X 2.1/2" COTTERPIN		02
013	0501011301	1.1/2 UNC 6FPP 2.5/16 NUT		02
014	0521069183	RIGHT FRONT FRAME 84		01
015	0521069194	LEFT FRONT FRAME 84		01

REAR FRAME 48



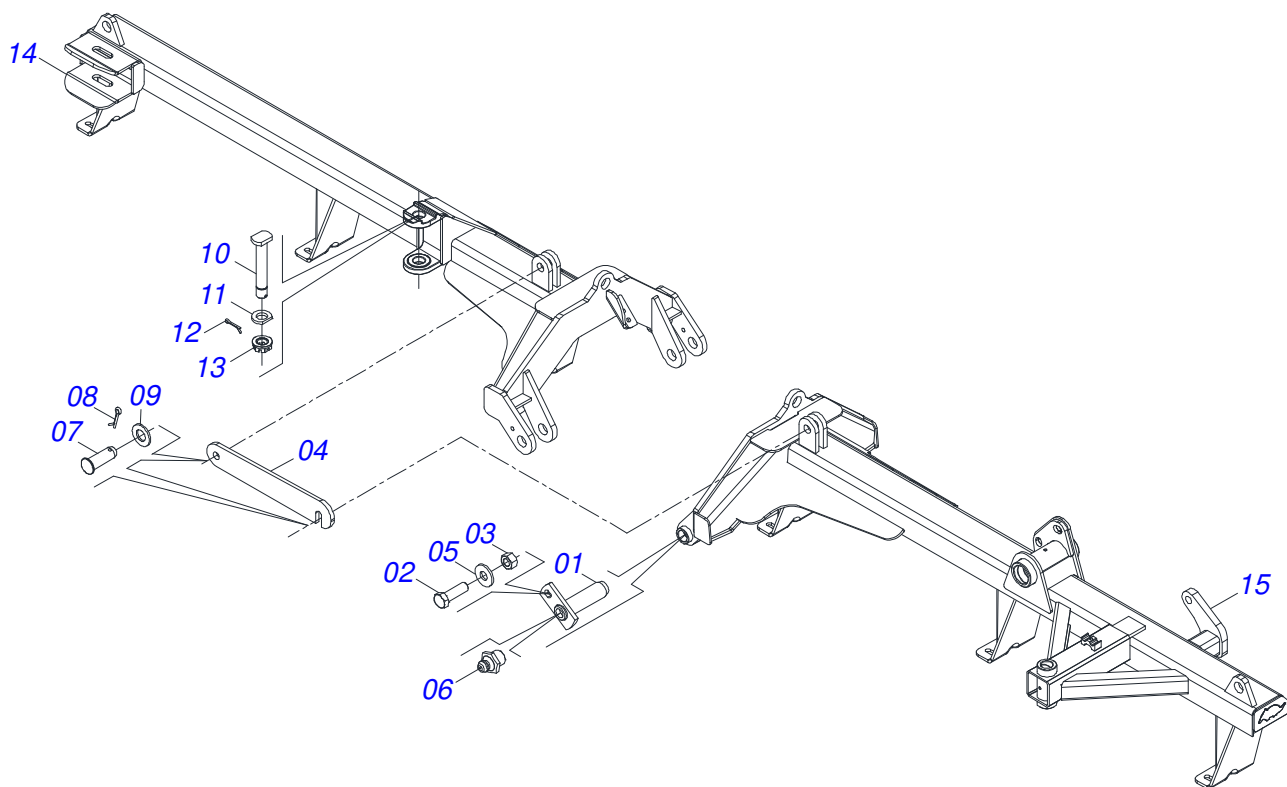
Item	Code	Description	See page	QT
001	0501063751	1.5" X 5.5" PIVOT SHAFT		02
002	0501010100	SCREW 5/8 UNC X 2 CS G.5 ZN		02
003	0503010013	5/8" NUT		02
004	0501018941	TRANSPORT LOCK		01
005	0501012140	FLAT WASHER		02
006	0503010002	1800 GREASE FITTING		02
007	0521010592	1.1" X 3.1" COUPLING SHAFT		02
008	0503010571	1/4" X 1.1/2" COTTERPIN		02
009	0511017480	FLAT WASHER		02
010	0531019497	1.5" X 9.2" ARTICULATED AXIS		02
011	0531019540	FLAT WASHER		02
012	0503010010	1/4" X 2.1/2" COTTERPIN		02
013	0501011301	1.1/2 UNC 6FPP 2.5/16 NUT		02
014	0521068830	RIGHT REAR FRAME 48		01
015	0521068829	LEFT REAR FRAME 48		01

REAR FRAME 52



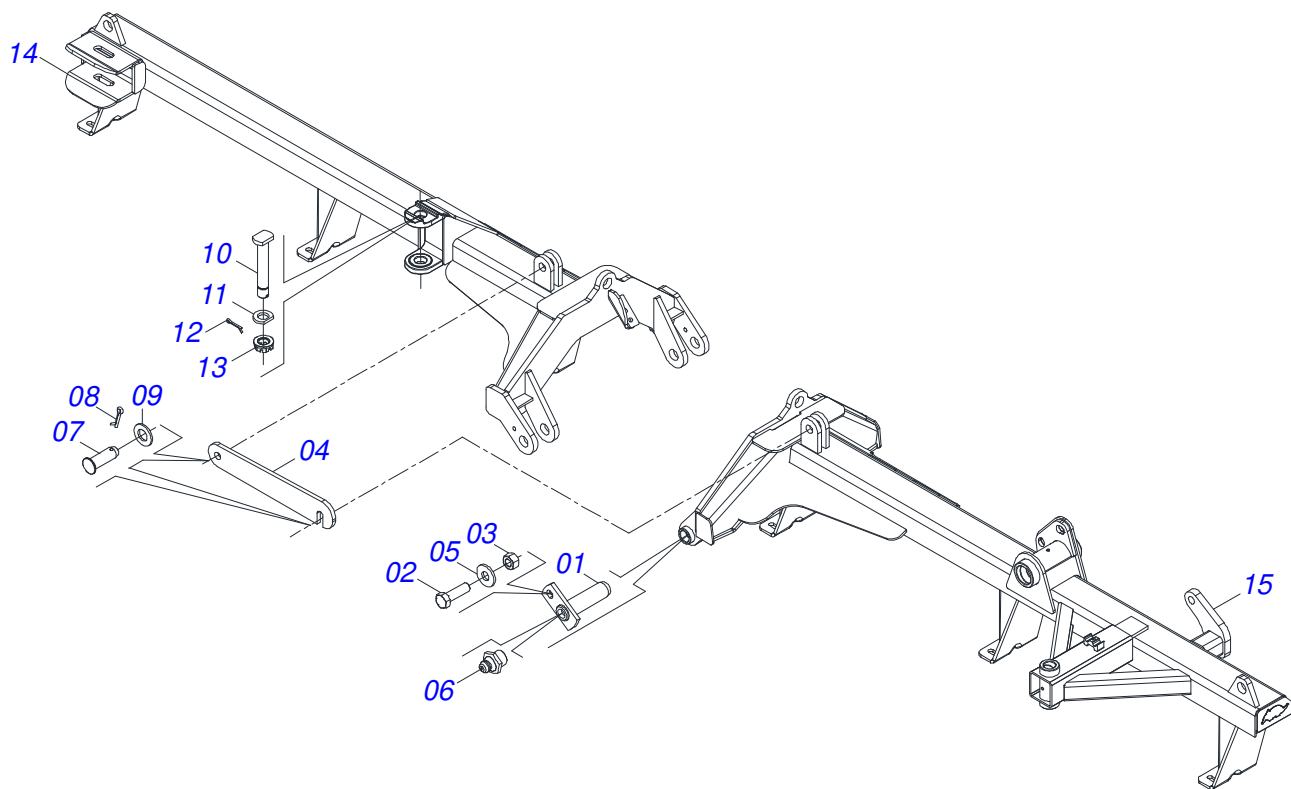
Item	Code	Description	See page	QT
001	0501063751	1.5" X 5.5" PIVOT SHAFT		02
002	0501010100	SCREW 5/8 UNC X 2 CS G.5 ZN		02
003	0503010013	5/8" NUT		02
004	0501018941	TRANSPORT LOCK		01
005	0501012140	FLAT WASHER		02
006	0503010002	1800 GREASE FITTING		02
007	0521010592	1.1" X 3.1" COUPLING SHAFT		02
008	0503010571	1/4" X 1.1/2" COTTERPIN		02
009	0511017480	FLAT WASHER		02
010	0531019497	1.5" X 9.2" ARTICULATED AXIS		02
011	0531019540	FLAT WASHER		02
012	0503010010	1/4" X 2.1/2" COTTERPIN		02
013	0501011301	1.1/2 UNC 6FPP 2.5/16 NUT		02
014	0521068912	RIGHT REAR FRAME 52		01
015	0521068911	LEFT REAR FRAME 52		01

REAR FRAME 56



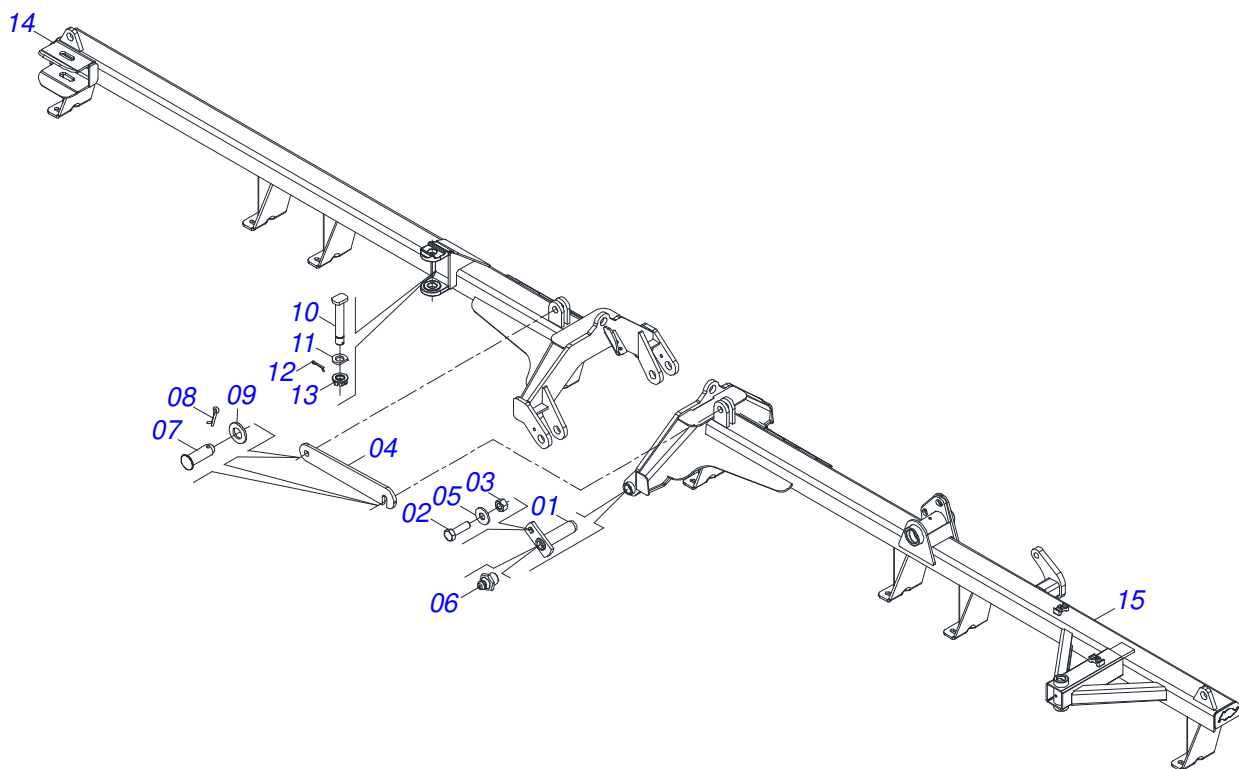
Item	Code	Description	See page	QT
001	0501063751	1.5" X 5.5" PIVOT SHAFT		02
002	0501010100	SCREW 5/8 UNC X 2 CS G.5 ZN		02
003	0503010013	5/8" NUT		02
004	0501018941	TRANSPORT LOCK		01
005	0501012140	FLAT WASHER		02
006	0503010002	1800 GREASE FITTING		02
007	0521010592	1.1" X 3.1" COUPLING SHAFT		02
008	0503010571	1/4" X 1.1/2" COTTERPIN		02
009	0511017480	FLAT WASHER		02
010	0531019497	1.5" X 9.2" ARTICULATED AXIS		02
011	0531019540	FLAT WASHER		02
012	0503010010	1/4" X 2.1/2" COTTERPIN		02
013	0501011301	1.1/2 UNC 6FPP 2.5/16 NUT		02
014	0521068895	RIGHT REAR FRAME 56		01
015	0521068894	LEFT REAR FRAME 56		01

REAR FRAME 60



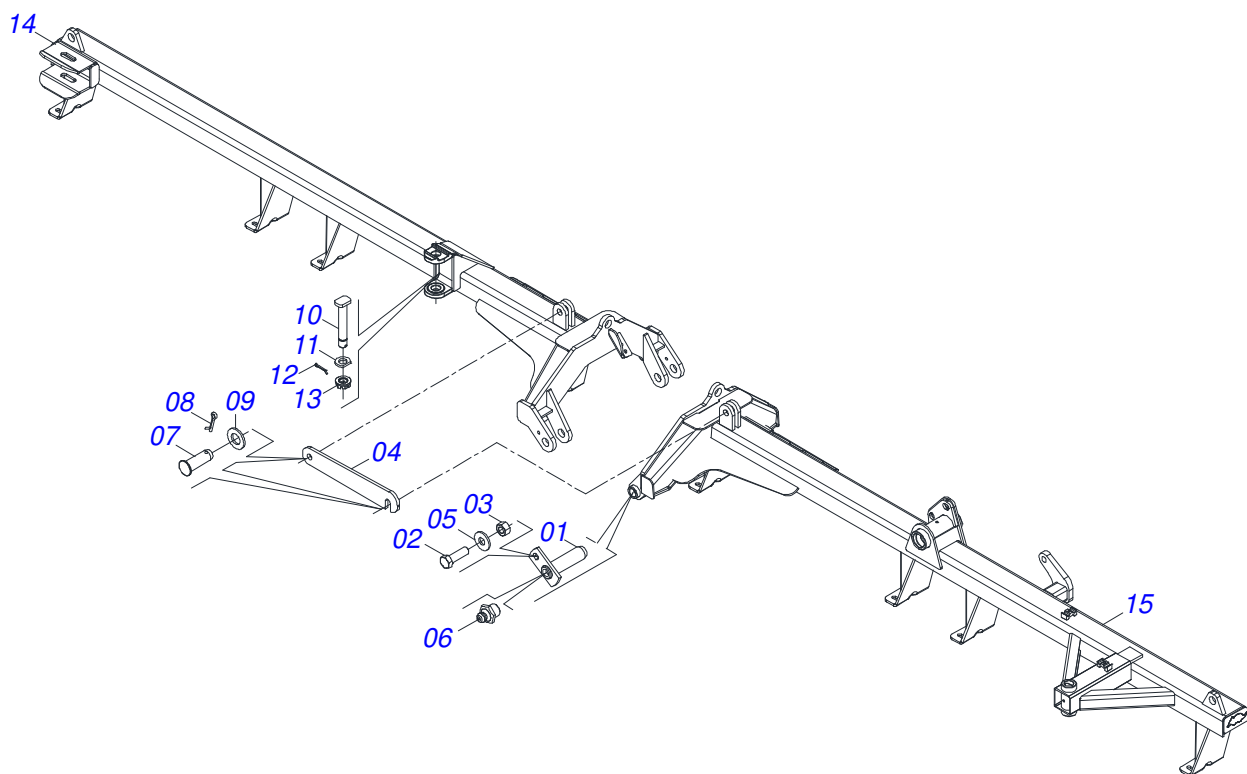
Item	Code	Description	See page	QT
001	0501063751	1.5" X 5.5" PIVOT SHAFT		02
002	0501010100	SCREW 5/8 UNC X 2 CS G.5 ZN		02
003	0503010013	5/8" NUT		02
004	0501018941	TRANSPORT LOCK		01
005	0501012140	FLAT WASHER		02
006	0503010002	1800 GREASE FITTING		02
007	0521010592	1.1" X 3.1" COUPLING SHAFT		02
008	0503010571	1/4" X 1.1/2" COTTERPIN		02
009	0511017480	FLAT WASHER		02
010	0531019497	1.5" X 9.2" ARTICULATED AXIS		02
011	0531019540	FLAT WASHER		02
012	0503010010	1/4" X 2.1/2" COTTERPIN		02
013	0501011301	1.1/2 UNC 6FPP 2.5/16 NUT		02
014	0521068807	RIGHT REAR FRAME 60		01
015	0521068808	LEFT REAR FRAME 60		01

REAR FRAME 64



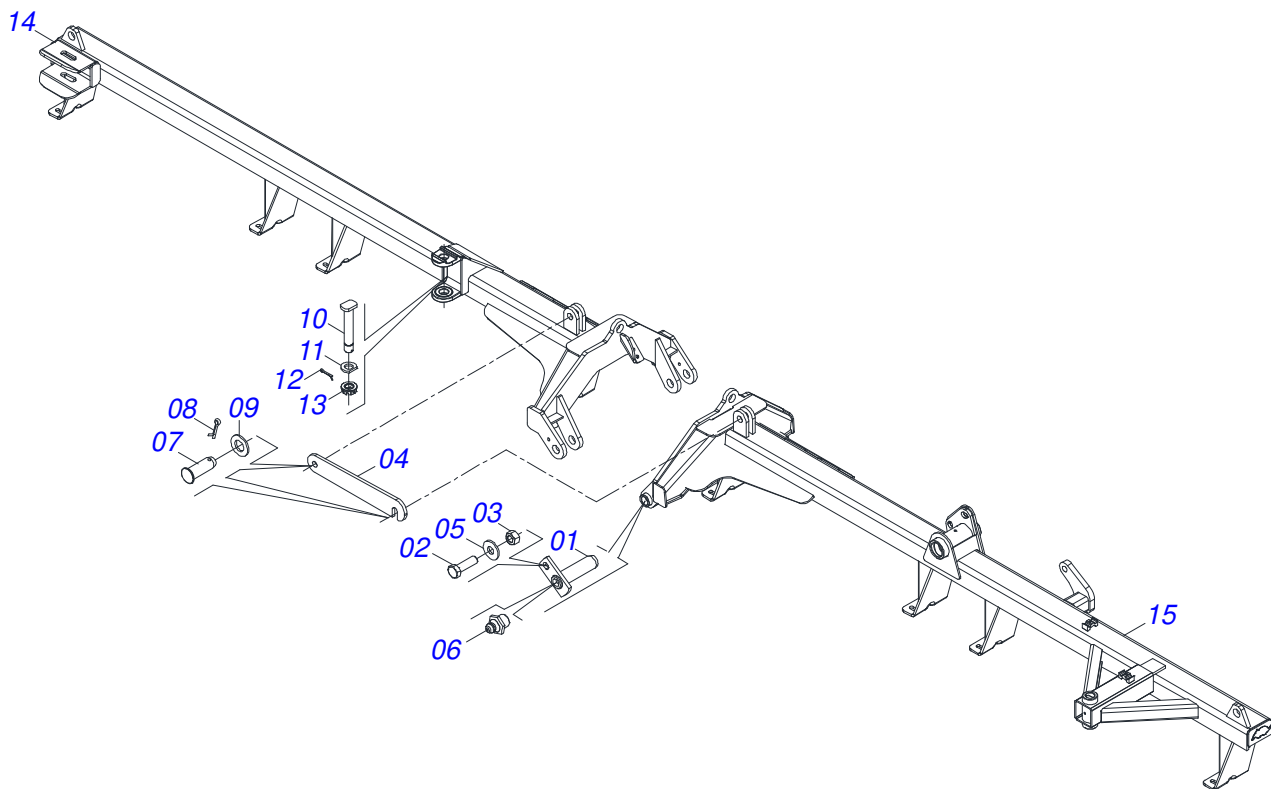
Item	Code	Description	See page	QT
001	0501063751	1.5" X 5.5" PIVOT SHAFT		02
002	0501010100	SCREW 5/8 UNC X 2 CS G.5 ZN		02
003	0503010013	5/8" NUT		02
004	0501018941	TRANSPORT LOCK		01
005	0501012140	FLAT WASHER		02
006	0503010002	1800 GREASE FITTING		02
007	0521010592	1.1" X 3.1" COUPLING SHAFT		02
008	0503010571	1/4" X 1.1/2" COTTERPIN		02
009	0511017480	FLAT WASHER		02
010	0531019497	1.5" X 9.2" ARTICULATED AXIS		02
011	0531019540	FLAT WASHER		02
012	0503010010	1/4" X 2.1/2" COTTERPIN		02
013	0501011301	1.1/2 UNC 6FPP 2.5/16 NUT		02
014	0521068787	RIGHT REAR FRAME 64		01
015	0521068884	LEFT REAR FRAME 64		01

REAR FRAME 68



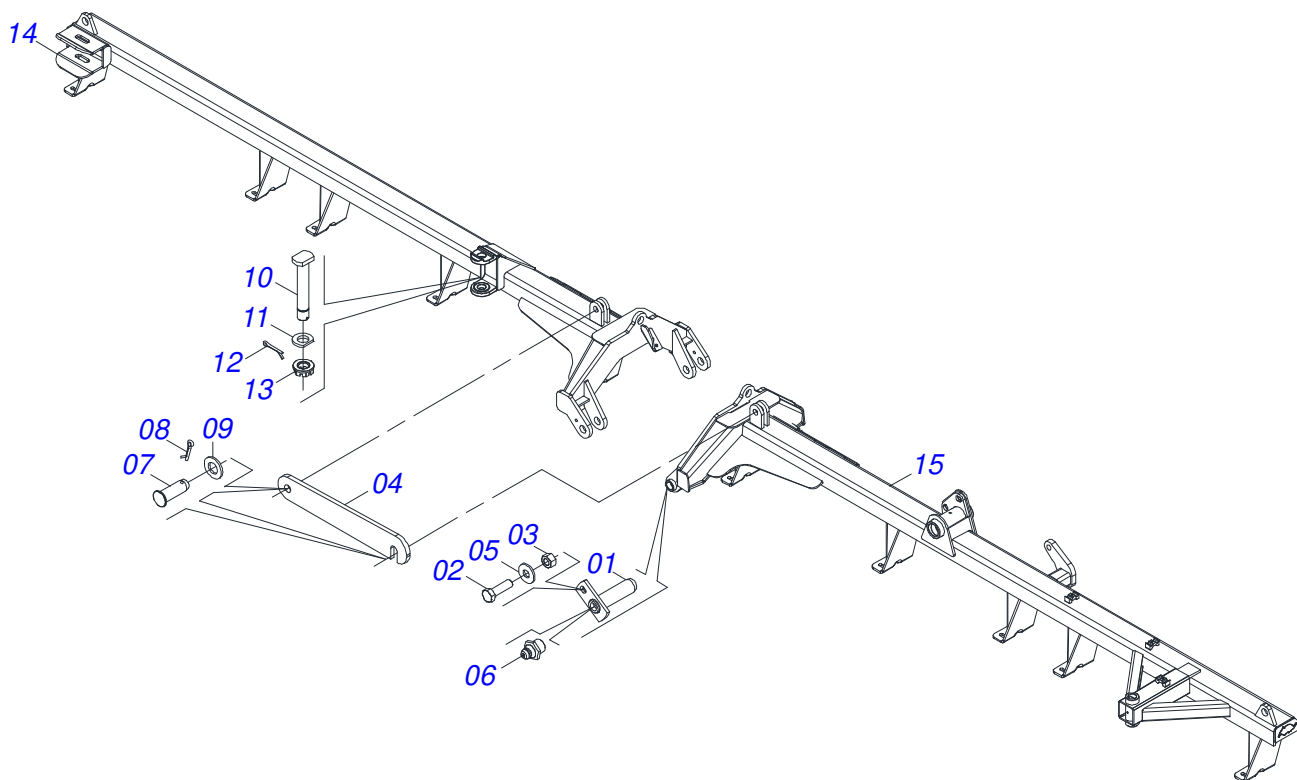
Item	Code	Description	See page	QT
001	0501063751	1.5" X 5.5" PIVOT SHAFT		02
002	0501010100	SCREW 5/8 UNC X 2 CS G.5 ZN		02
003	0503010013	5/8" NUT		02
004	0501018941	TRANSPORT LOCK		01
005	0501012140	FLAT WASHER		02
006	0503010002	1800 GREASE FITTING		02
007	0521010592	1.1" X 3.1" COUPLING SHAFT		02
008	0503010571	1/4" X 1.1/2" COTTERPIN		02
009	0511017480	FLAT WASHER		02
010	0531019497	1.5" X 9.2" ARTICULATED AXIS		02
011	0531019540	FLAT WASHER		02
012	0503010010	1/4" X 2.1/2" COTTERPIN		02
013	0501011301	1.1/2 UNC 6FPP 2.5/16 NUT		02
014	0521065422	RIGHT REAR FRAME		01
015	0521068778	LEFT REAR FRAME 68D		01

REAR FRAME 72



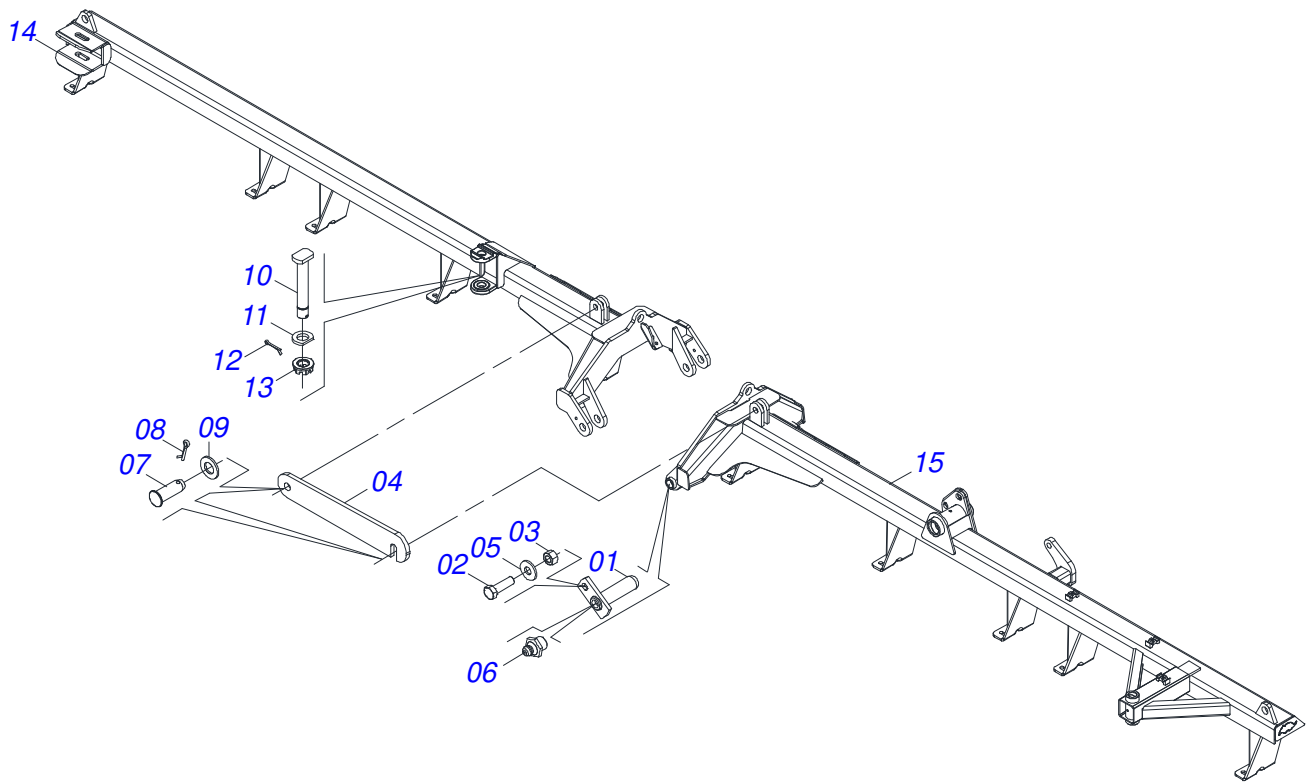
Item	Code	Description	See page	QT
001	0501063751	1.5" X 5.5" PIVOT SHAFT		02
002	0501010100	SCREW 5/8 UNC X 2 CS G.5 ZN		02
003	0503010013	5/8" NUT		02
004	0501018941	TRANSPORT LOCK		01
005	0501012140	FLAT WASHER		02
006	0503010002	1800 GREASE FITTING		02
007	0521010592	1.1" X 3.1" COUPLING SHAFT		02
008	0503010571	1/4" X 1.1/2" COTTERPIN		02
009	0511017480	FLAT WASHER		02
010	0531019497	1.5" X 9.2" ARTICULATED AXIS		02
011	0531019540	FLAT WASHER		02
012	0503010010	1/4" X 2.1/2" COTTERPIN		02
013	0501011301	1.1/2 UNC 6FPP 2.5/16 NUT		02
014	0521065411	RIGHT REAR FRAME		01
015	0521068772	LEFT REAR FRAME 72		01

REAR FRAME 76



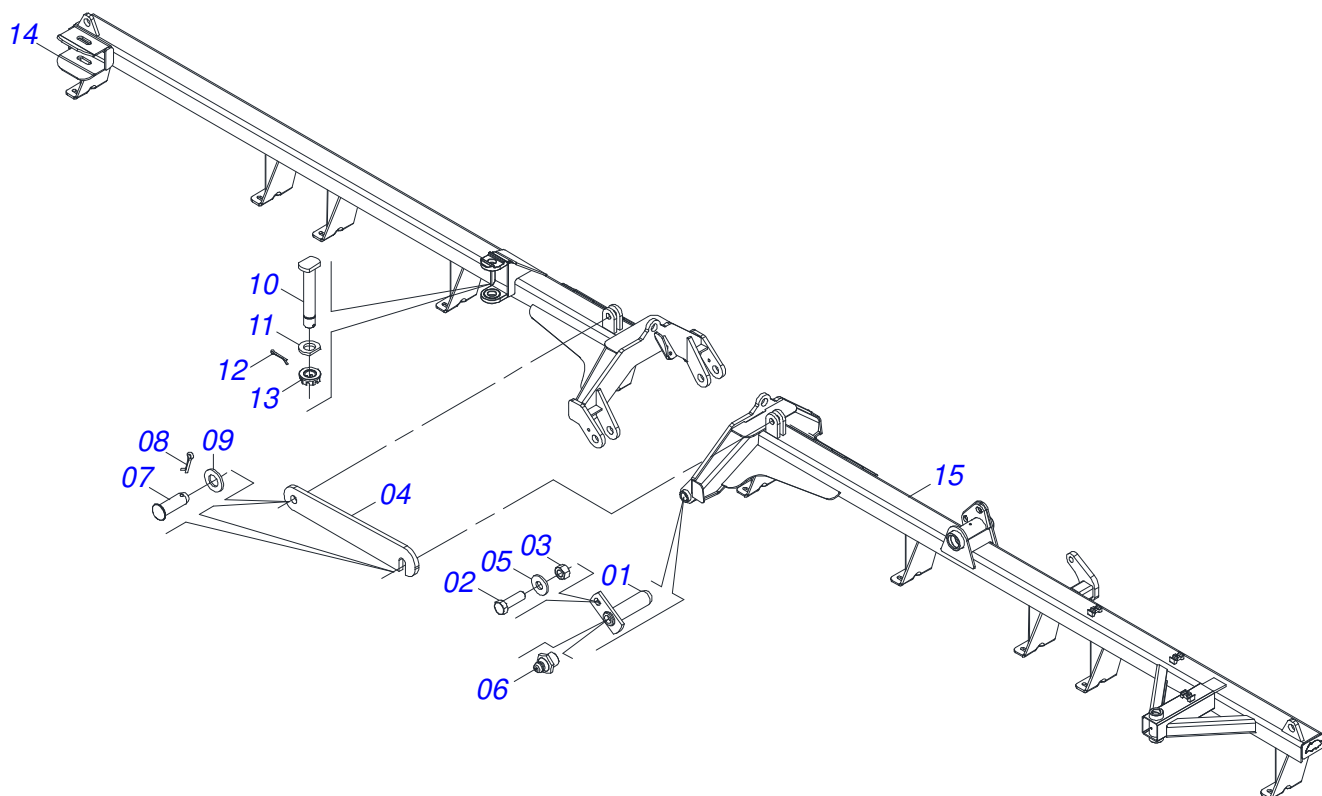
Item	Code	Description	See page	QT
001	0501063751	1.5" X 5.5" PIVOT SHAFT		02
002	0501010100	SCREW 5/8 UNC X 2 CS G.5 ZN		02
003	0503010013	5/8" NUT		02
004	0501018941	TRANSPORT LOCK		01
005	0501012140	FLAT WASHER		02
006	0503010002	1800 GREASE FITTING		02
007	0521010592	1.1" X 3.1" COUPLING SHAFT		02
008	0503010571	1/4" X 1.1/2" COTTERPIN		02
009	0511017480	FLAT WASHER		02
010	0531019497	1.5" X 9.2" ARTICULATED AXIS		02
011	0531019540	FLAT WASHER		02
012	0503010010	1/4" X 2.1/2" COTTERPIN		02
013	0501011301	1.1/2 UNC 6FPP 2.5/16 NUT		02
014	0521069212	RIGHT REAR FRAME 76		01
015	0521069228	LEFT REAR FRAME 76		01

REAR FRAME 80



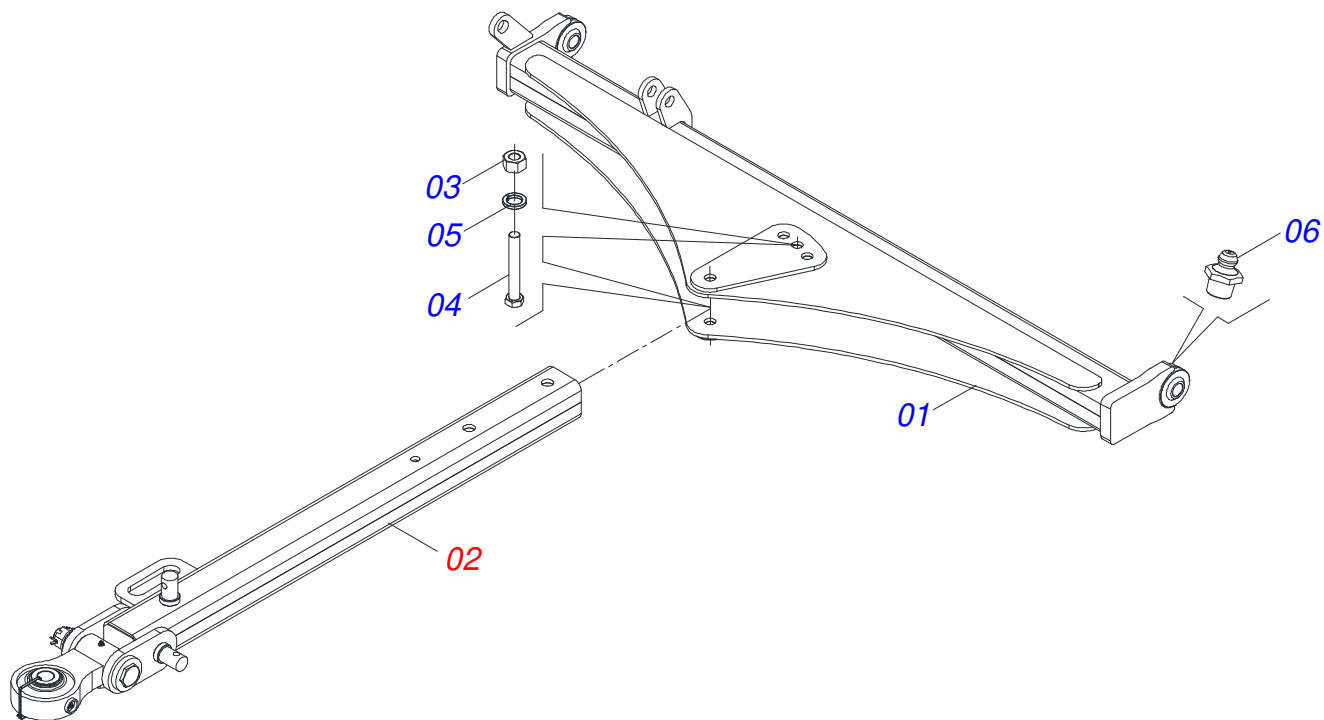
Item	Code	Description	See page	QT
001	0501063751	1.5" X 5.5" PIVOT SHAFT		02
002	0501010100	SCREW 5/8 UNC X 2 CS G.5 ZN		02
003	0503010013	5/8" NUT		02
004	0501018941	TRANSPORT LOCK		01
005	0501012140	FLAT WASHER		02
006	0503010002	1800 GREASE FITTING		02
007	0521010592	1.1" X 3.1" COUPLING SHAFT		02
008	0503010571	1/4" X 1.1/2" COTTERPIN		02
009	0511017480	FLAT WASHER		02
010	0531019497	1.5" X 9.2" ARTICULATED AXIS		02
011	0531019540	FLAT WASHER		02
012	0503010010	1/4" X 2.1/2" COTTERPIN		02
013	0501011301	1.1/2 UNC 6FPP 2.5/16 NUT		02
014	0521069235	RIGHT REAR FRAME 80		01
015	0521069234	LEFT REAR FRAME 80		01

REAR FRAME 84



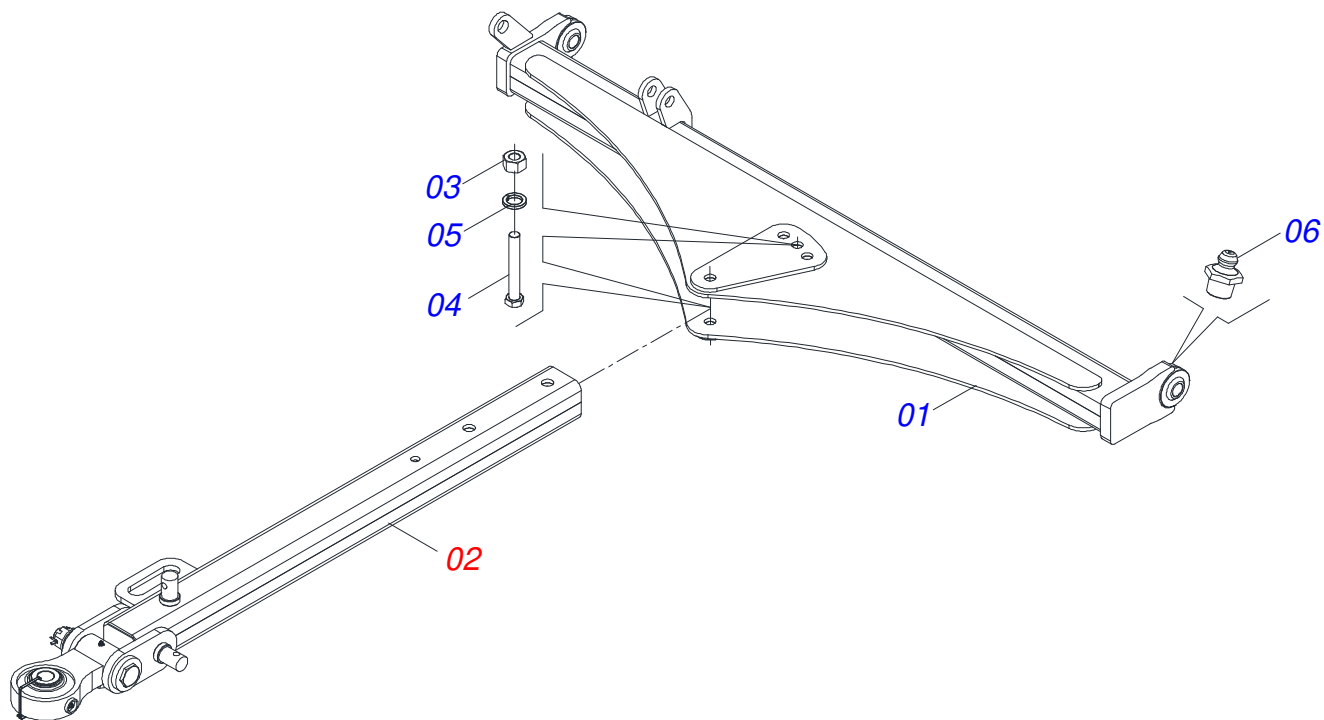
Item	Code	Description	See page	QT
001	0501063751	1.5" X 5.5" PIVOT SHAFT		02
002	0501010100	SCREW 5/8 UNC X 2 CS G.5 ZN		02
003	0503010013	5/8" NUT		02
004	0501018941	TRANSPORT LOCK		01
005	0501012140	FLAT WASHER		02
006	0503010002	1800 GREASE FITTING		02
007	0521010592	1.1" X 3.1" COUPLING SHAFT		02
008	0503010571	1/4" X 1.1/2" COTTERPIN		02
009	0511017480	FLAT WASHER		02
010	0531019497	1.5" X 9.2" ARTICULATED AXIS		02
011	0531019540	FLAT WASHER		02
012	0503010010	1/4" X 2.1/2" COTTERPIN		02
013	0501011301	1.1/2 UNC 6FPP 2.5/16 NUT		02
014	0521069195	RIGHT REAR FRAME 84		01
015	0521069182	LEFT REAR FRAME 84		01

DRAWBAR ASSY 36 A 48D



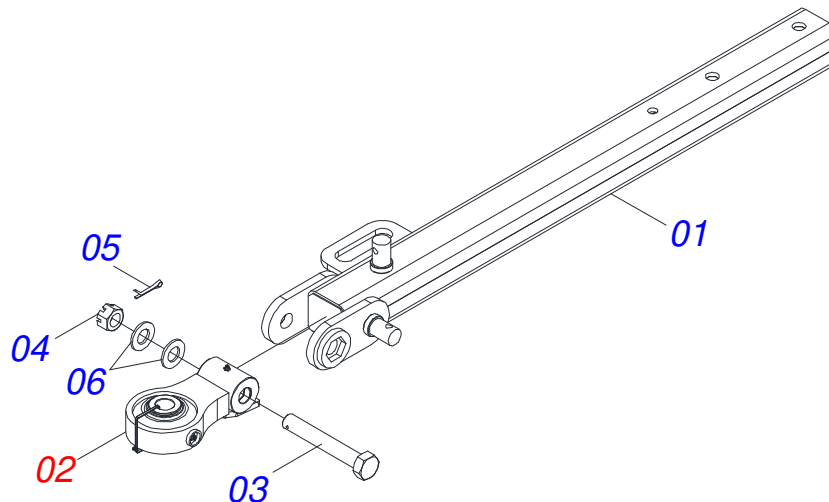
Item	Code	Description	See page	QT
01	0521068827	OFFSET BAR		01
02	0501044359	DRAWBAR ASSY	27	01
03	0501010059	1.5/8 NUT		02
04	0501010334	1" X 7" BOLT		02
05	0503011438	SPRING WASHER		02
06	0503010002	1800 GREASE FITTING		02

DRAWBAR ASSY

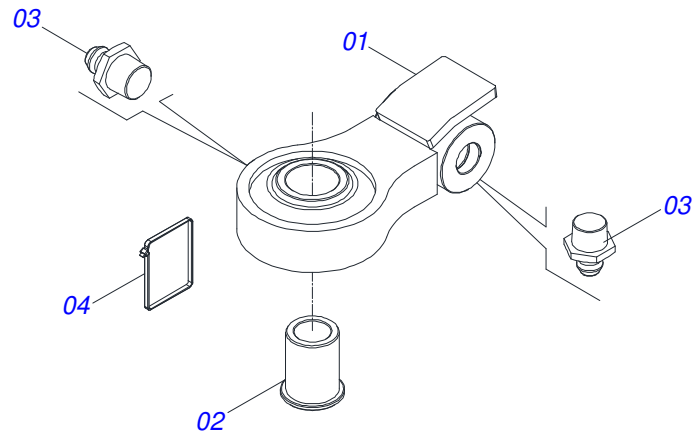


Item	Code	Description	See page	QT
01	0521065405	OFFSET BAR		01
02	0521048502	ASSY TRACTION BAR		01
03	0501010059	1.5/8 NUT		02
04	0501010334	1" X 7" BOLT		02
05	0503010012	1" SPRING WASHER		02
06	0503010002	1800 GREASE FITTING		02

DRAWBAR ASSY

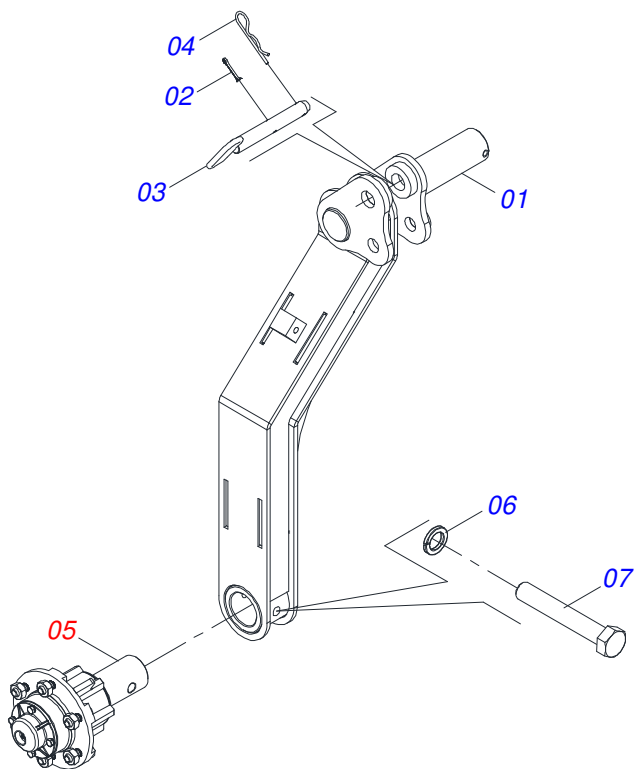


Item	Code	Description	See page	QT
01	0501066715	DRAWBAR ASSY		01
02	0521053943	HITCH WITH ASSY ROTULA SUPPORT	28	01
03	0501017291	1-1/2" X 8.1" BOLT		01
04	0501011301	1.1/2 UNC 6FPP 2.5/16 NUT		01
05	0503010010	1/4" X 2.1/2" COTTERPIN		01
06	0501017779	32 X 60 X 4.75 FLAT WASHER		02



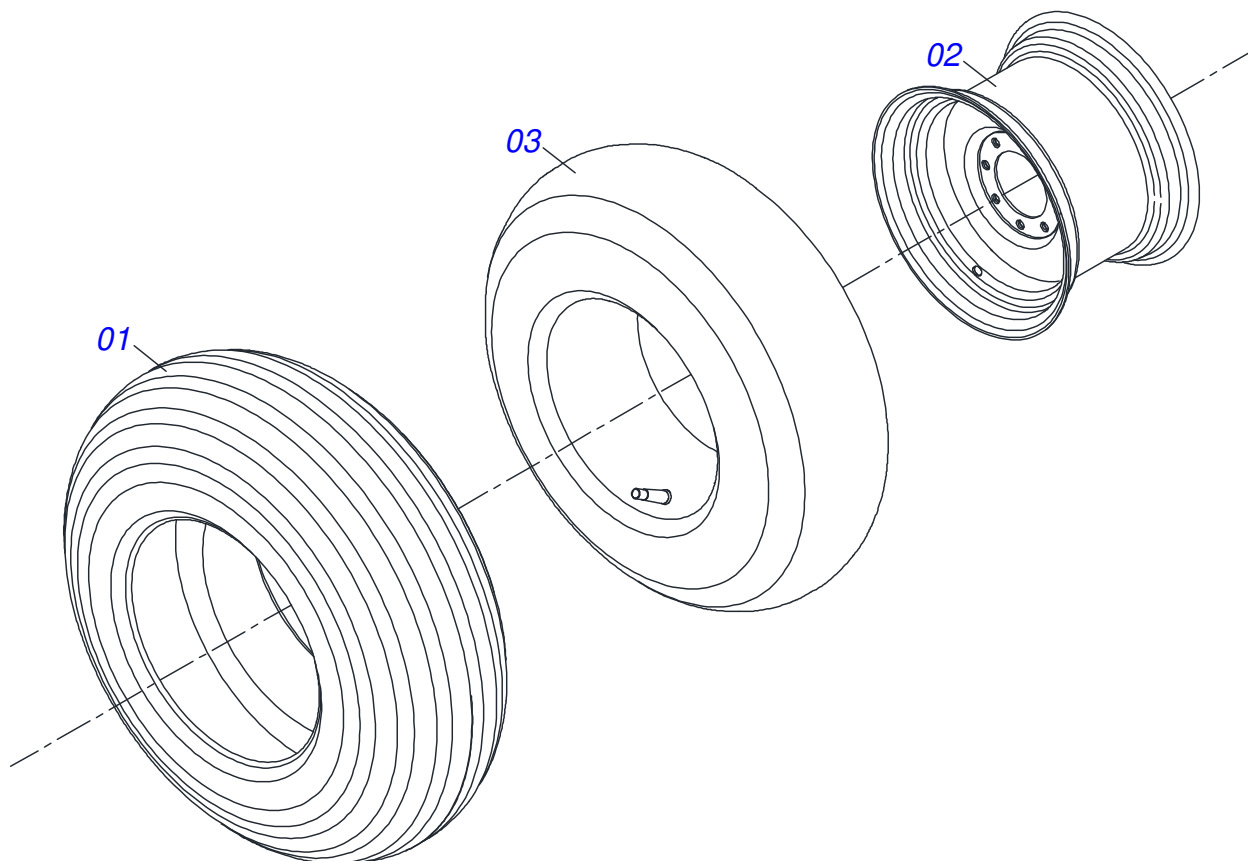
Item	Code	Description	See page	QT
01	0521069166	HITCH		01
02	0581018413	SLEEVE		01
03	0503010002	1800 GREASE FITTING		02
04	0503016033	4.8 X 1.3 X 300 MM NYLON CLAMP		01

WHEELS ASSY

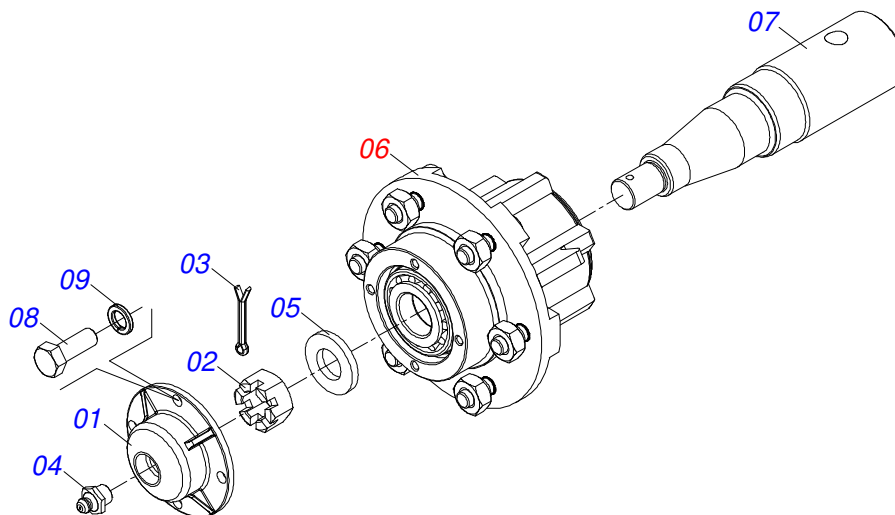


Item	Code	Description	See page	QT
01	0521068372	WHEELED ARM		01
02	0503010131	3/16" X 1-1/2" COTTERPIN		01
03	0521068769	COUPLING SHAFT		01
04	0503030012	HITCH PIN CLIP		01
05	0521052217	ASSY WHEEL CUBE	31	01
06	0503010027	5/8" SPRING WASHER		01
07	0503017857	BOLT 5/8 UNF 4		01

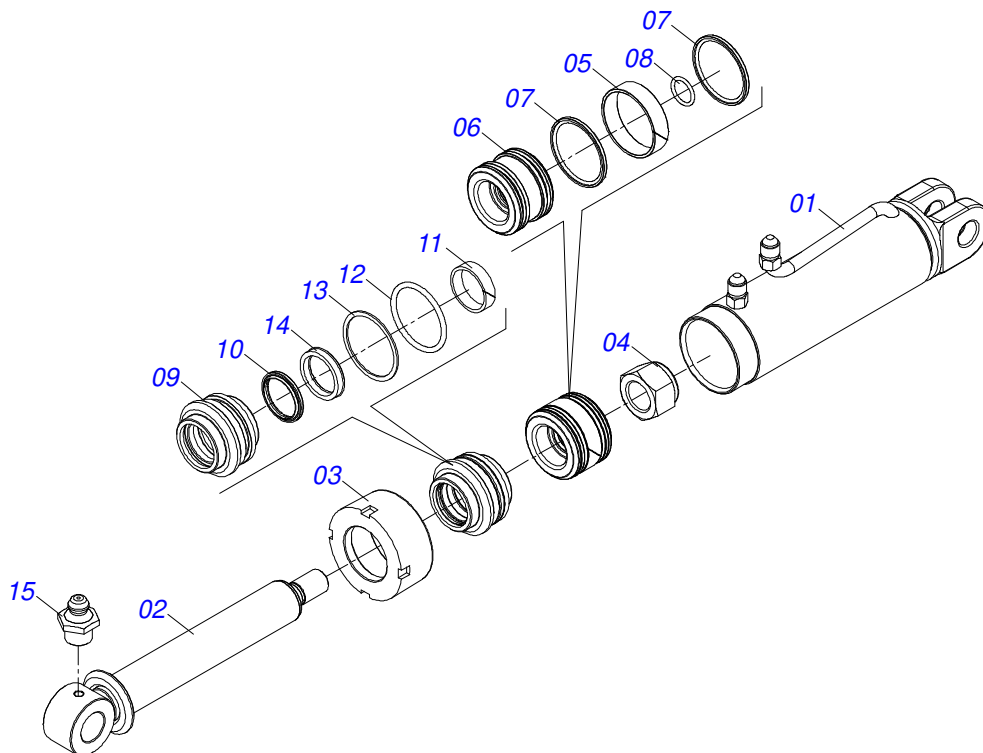
WHEEL AND TIRE



Item	Code	Description	See page	QT
01	0503010858	CANVAS TIRE		01
02	0503011468	WEEL		01
03	0503010860	AIR CHAMBER 11L 15		01

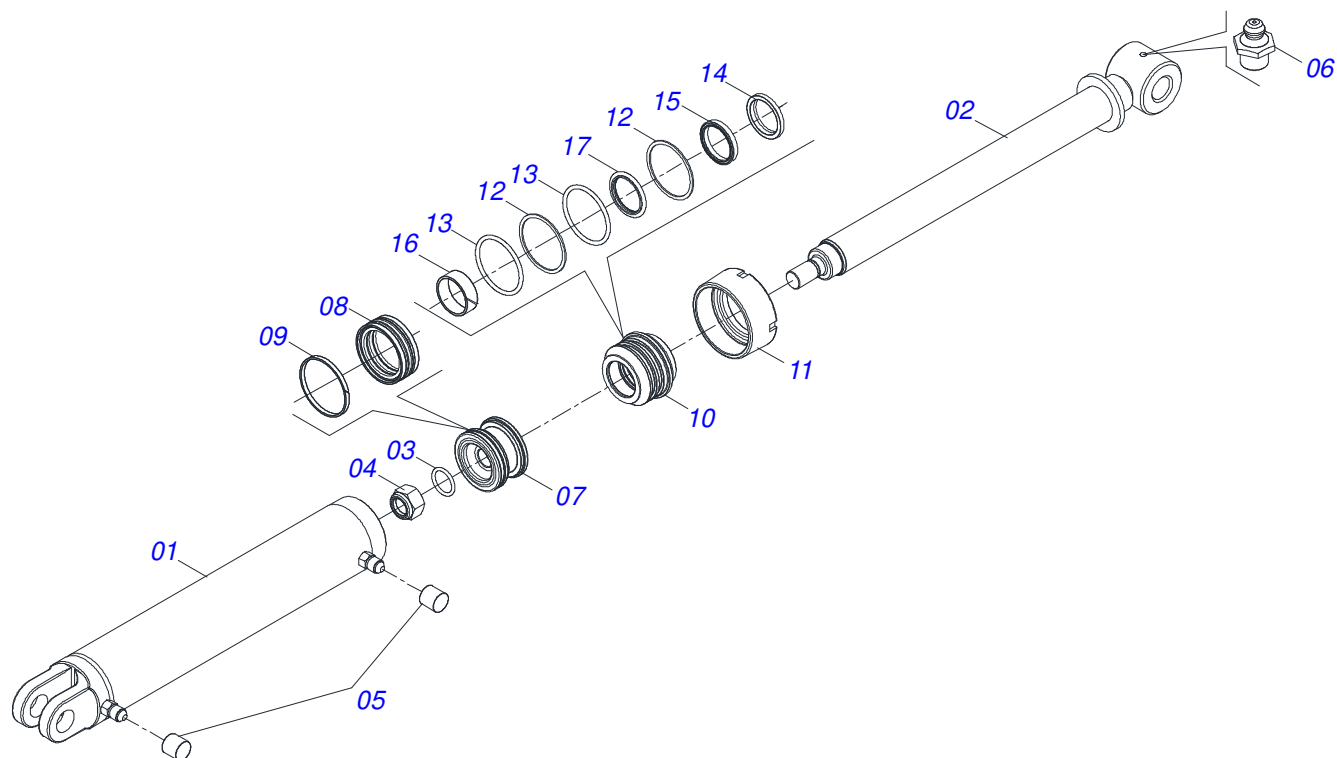


Item	Code	Description	See page	QT
01	0502020591	PROTECCION COVER		01
02	0503030009	1" CASTLE NUT		01
03	0503010018	5/32 X 1-1/2 COTTERPIN		01
04	0503010002	1800 GREASE FITTING		01
05	0501016545	FLAT WASHER		01
06	0501051142	CARRYING WHEEL HUB		01
07	0581016297	63,50 X 270 AXIS		01
08	0503010178	5/16" X 7/8" BOLT		04
09	0503010179	LOCK WASHER		04



Item	Code	Description	See page	QT
01	0531060320	CASE 76,20 X 277 X 335		01
02	0531060321	EXTENSOR 44,45 X 311 X 296		01
03	0502011899	MOBILE COVER		01
04	0503010063	1" SELF-ALIGNING NUT		01
05	0503018140	RING GUIDE		01
06	0581010304	PISTON		01
07	0503018138	RING BS		02
08	0503010042	2-214 N 3006-9B O'RING		01
09	0502012264	RING SUPPORT 1.75" X 3"		01
10	0503010761	D-1750 SCRAPER RING		01
11	0503010949	W2-2000-500 PK RING G.E		01
12	0503010343	2-334 N 3006-9B O'RING		01
13	0503011059	8-334 BACK-UP RING		01
14	0503017937	GASKET		01
15	0503010002	1800 GREASE FITTING		01
16	0511032725	HYDRAULIC CYLINDER REPAIR KIT		01

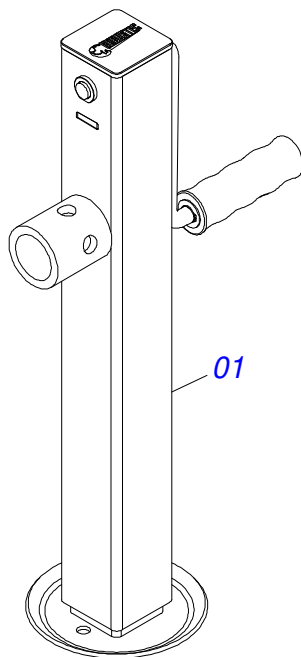
HYDRAULIC CYLINDER



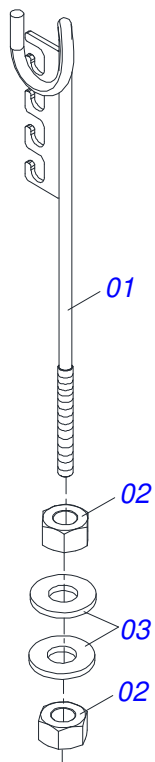
Item	Code	Description	See page	QT
01	0521063982	CYLINDER CASE		01
02	0521067533	50,80 X 697 EXTENSOR		01
03	0503010042	2-214 N 3006-9B O'RING		01
04	0503010063	1" SELF-ALIGNING NUT		01
05	0503030385	CYLINDER PLUG N-002		02
06	0503010002	1800 GREASE FITTING		01
07	0571019710	1.7" X 3.4" PISTON		01
08	0503017935	RING		01
09	0503018144	RING		01
10	0581013228	50,80 X 85,72 SUPPORT RINGS		01
11	0581013227	85,72 MOVE COVER		01
12	0503017940	8-337 BACK-UP RING		02
13	0503017939	2-337 N 3006-9B O' RING		02
14	0503010039	D-2000 SCRAPER RING		01
15	0503018026	1870-2000-375 B GASKET		01
16	0503018025	RING GUIDE		01
17	0503018024	RING BS		01

HEADER JACK

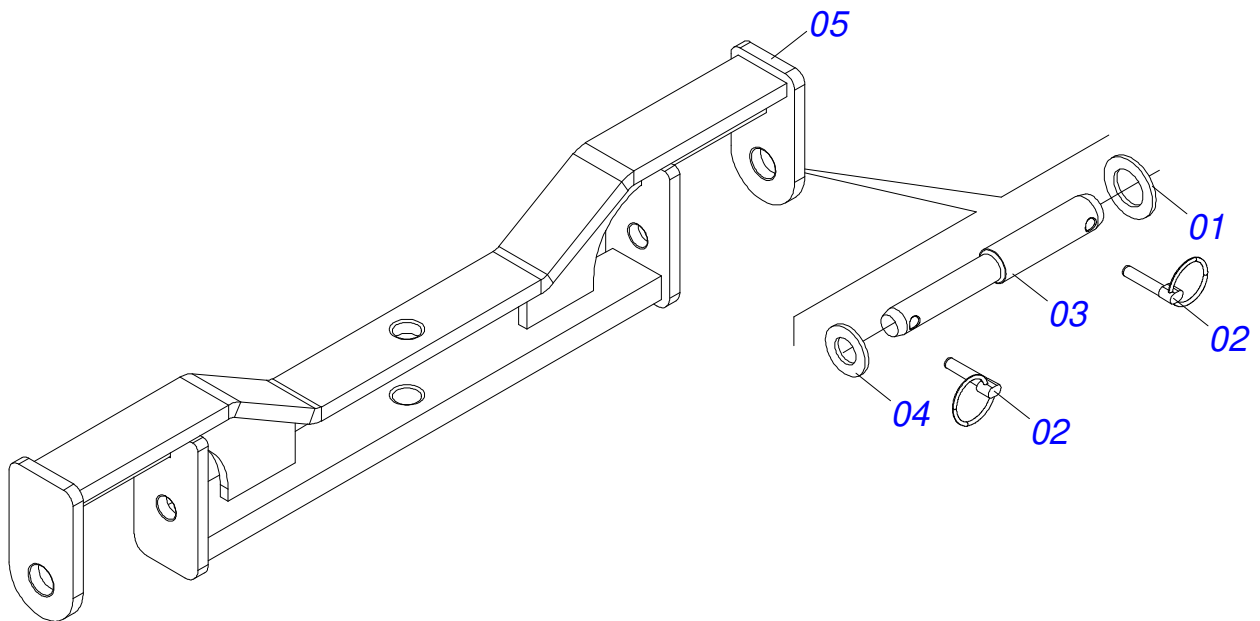
0503062157



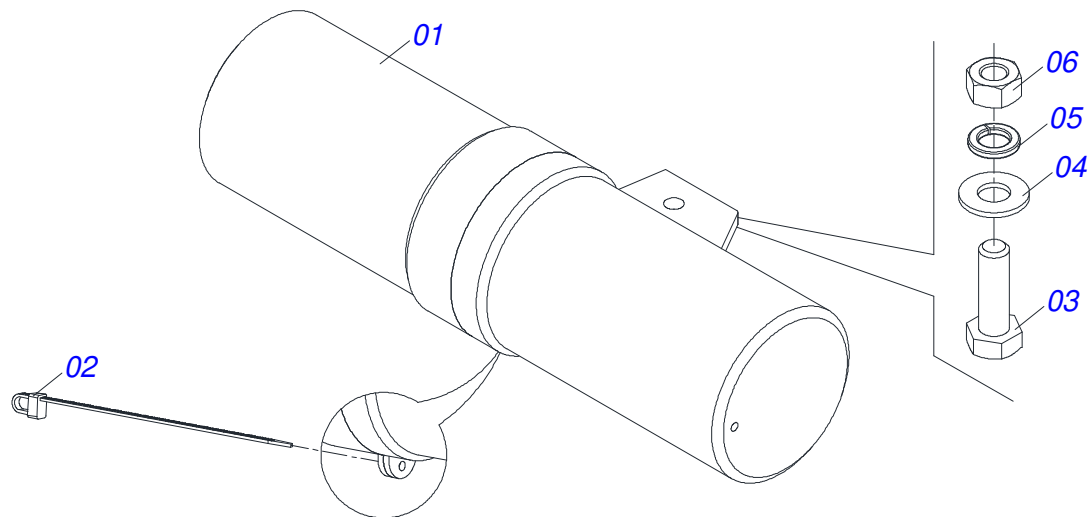
Item	Code	Description	See page	QT
01	0503062157	HEADER JACK	34	01



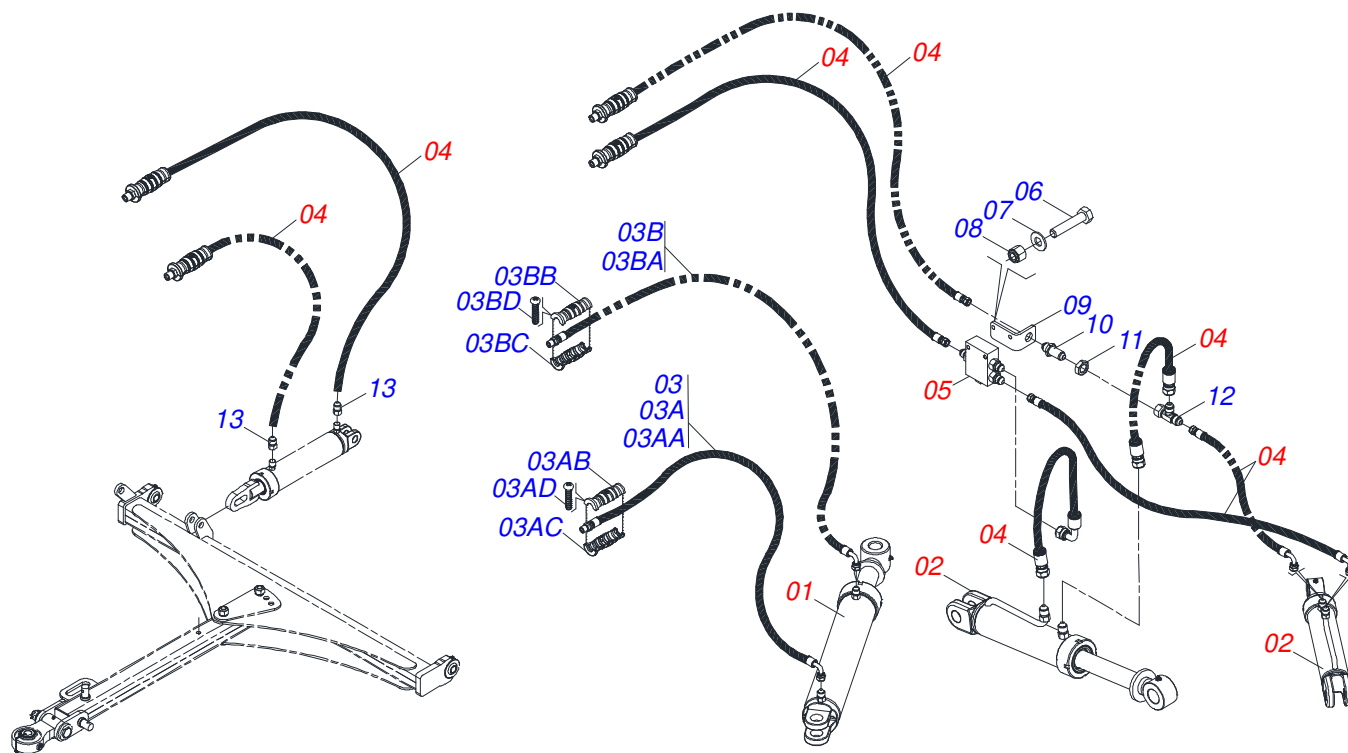
Item	Code	Description	See page	QT
01	0511067334	HOSE SOPPORT ASSY		01
02	0503010014	3/4" NUT		02
03	0501010322	FLAT WASHER		02



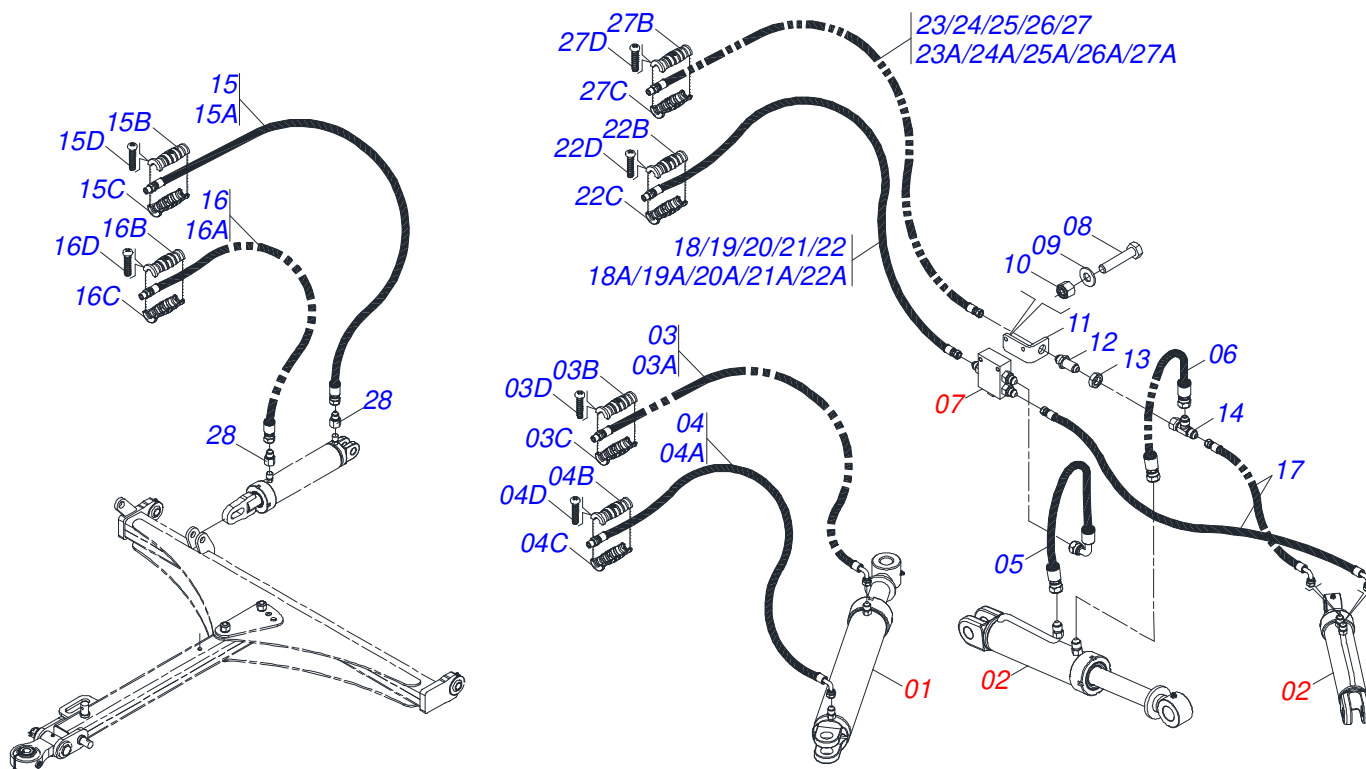
Item	Code	Description	See page	QT
01	0501012916	FLAT WASHER 38,50 X 66 X 4,75 ZN		02
02	0503030430	7/16 X 2" PIN LOCK		04
03	0541015542	1.1/8" HITCH AXLE		02
04	0511017480	FLAT WASHER		02
05	0531061885	TRANSPORT BAR		01



Item	Code	Description	See page	QT
01	0503060100	OPERATOR'S MANUAL STORAGE TUBE		01
02	0503010267	NYLON CLAMP		01
03	0503010363	5/16" X 1" BOLT		01
04	0501010694	FLAT WASHER		01
05	0503010179	LOCK WASHER		01
06	0503010337	5/16" NUT		01



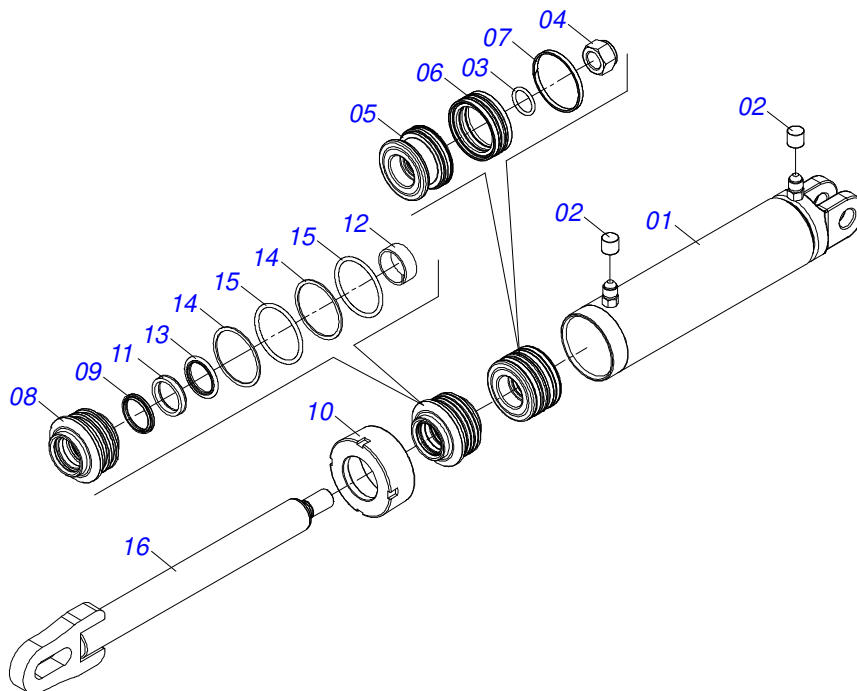
Item	Code	Description	See page	48	52	56	60	64
01	0511058461	HYDRAULIC CYLINDER	33	01	01	01	01	01
02	0521056810	HYDRAULIC CYLINDER 44,45X76,20X405X170	32	02	02	02	02	02
03	0521053412	HOSE KIT		01	01	01	01	01
03A	0521053413	HOSE 3/8 X 4500 TC-TM PURPLE/RED		01	01	01	01	01
03AA	0501080362	3/8" X 177" TC-TM HOSE		01	01	01	01	01
03AB	0503034491	HYDRAULIC HOSE GRIP (PURPLE)		01	01	01	01	01
03AC	0503034495	HYDRAULIC HOSE GRIP (RED)		01	01	01	01	01
03AD	0503018952	PLASTIC BOLT		06	06	06	06	06
03B	0521053414	HOSE 3/8 X 4500 TC-TM PURPLE/BLUE		01	01	01	01	01
03BA	0501080362	3/8" X 177" TC-TM HOSE		01	01	01	01	01
03BB	0503034491	HYDRAULIC HOSE GRIP (PURPLE)		01	01	01	01	01
03BC	0503034494	HYDRAULIC HOSE GRIP (BLUE)		01	01	01	01	01
03BD	0503018952	PLASTIC BOLT		06	06	06	06	06
04	0521054451	HOSE SET HYDRAULIC LIFTING SET 48		01	00	00	00	00
04.	0521054455	HOSE SET HYDRAULIC LIFTING SET 52		00	01	00	00	00
04..	0521054453	HOSE SET HYDRAULIC LIFTING SET 56		00	00	01	00	00
04...	0521054450	JOGO HOSE HYDRAULIC LIFT SET 60		00	00	00	01	00
04....	0521054452	HOSE KIT ASSY LIFT HYDRAULIC 64D		00	00	00	00	01
05	0521050797	FLOW DIVIDER VALVE		01	01	01	01	01
06	0503011766	5/16" X 2-1/2" BOLT		01	01	01	01	01
07	0501010694	FLAT WASHER		01	01	01	01	01
08	0503013759	NUT		01	01	01	01	01
09	0581016273	SUPPORT		01	01	01	01	01
10	0541012165	3/4" NIPPLE		01	01	01	01	01
11	0571018575	NUT - R.3/4" UNF 16FPP X 10		01	01	01	01	01
12	0503011968	3/4" 8R6X-S T ADAPTER WITH SWIVEL NUT		01	01	01	01	01
13	0511018012	HIDRAULIC ADAPTER		02	02	02	02	02



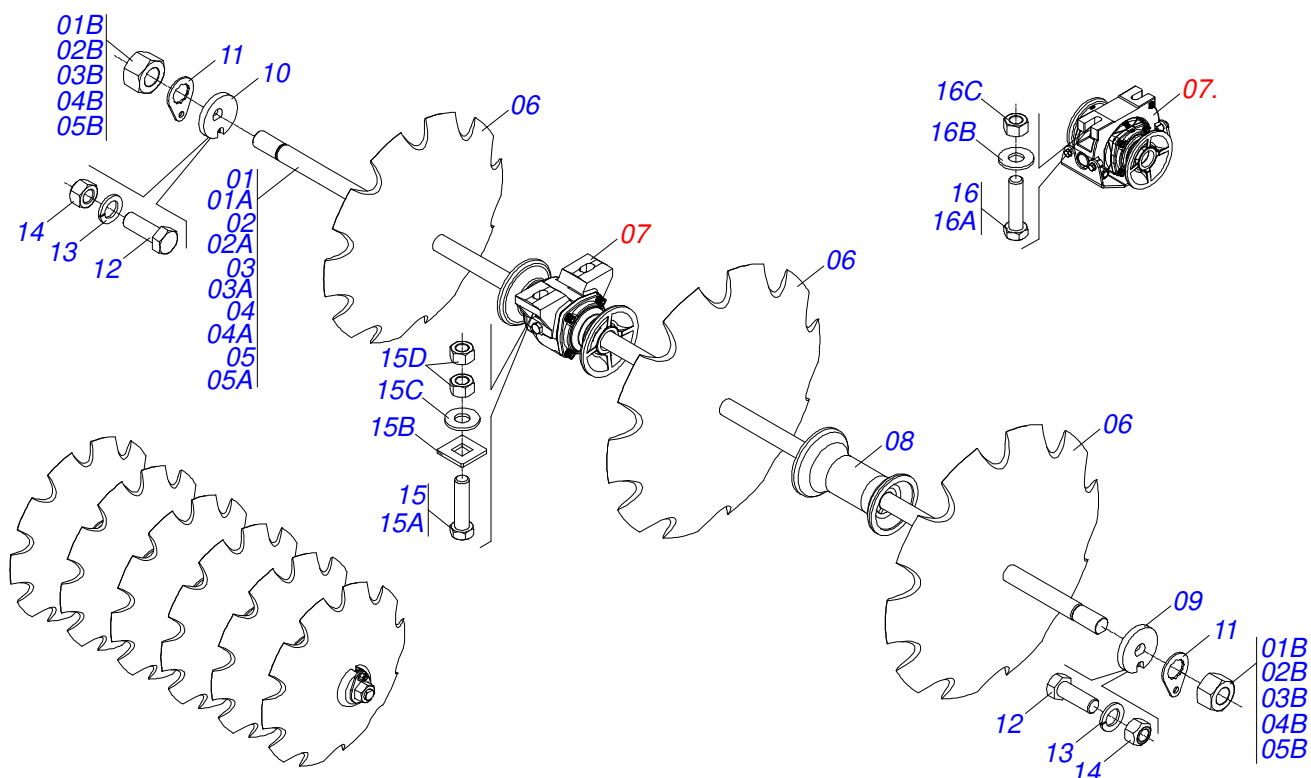
Item	Code	Description	See page	68	72	76	80	84
01	0511058461	HYDRAULIC CYLINDER	33	01	01	01	01	01
02	0511058421	38,10X63,50X405X170 HYDRAULIC CYLINDER		02	02	02	02	02
03	0521053414	HOSE 3/8 X 4500 TC-TM PURPLE/BLUE		01	01	01	01	01
03A	0501080362	3/8" X 177" TC-TM HOSE		01	01	01	01	01
03B	0503034491	HYDRAULIC HOSE GRIP (PURPLE)		01	01	01	01	01
03C	0503034494	HYDRAULIC HOSE GRIP (BLUE)		01	01	01	01	01
03D	0503018952	PLASTIC BOLT		06	06	06	06	06
04	0521053413	HOSE 3/8 X 4500 TC-TM PURPLE/RED		01	01	01	01	01
04A	0501080362	3/8" X 177" TC-TM HOSE		01	01	01	01	01
04B	0503034491	HYDRAULIC HOSE GRIP (PURPLE)		01	01	01	01	01
04C	0503034495	HYDRAULIC HOSE GRIP (RED)		01	01	01	01	01
04D	0503018952	PLASTIC BOLT		06	06	06	06	06
05	0501080406	3/8" X 23" TR-TC HOSE		01	01	01	01	01
06	0501080460	3/8" X 23" TR-TR HOSE		01	01	01	01	01
07	0521050797	FLOW DIVIDER VALVE		01	01	01	01	01
08	0503011766	5/16" X 2-1/2" BOLT		01	01	01	01	01
09	0501010694	FLAT WASHER		01	01	01	01	01
10	0503013759	NUT		01	01	01	01	01
11	0581016273	SUPPORT		01	01	01	01	01
12	0541012165	3/4" NIPPLE		01	01	01	01	01
13	0571018575	NUT - R.3/4" UNF 16FPP X 10		01	01	01	01	01
14	0503011968	3/4" 8R6X-S T ADAPTER WITH SWIVEL NUT		01	01	01	01	01
15	0531050513	HOSE 3/8 X 4500 TR-TM VERD / VERM		01	01	01	01	01
15A	0501080363	3/8" X 177" TR-TM HOSE ASSY		01	01	01	01	01
15B	0503034495	HYDRAULIC HOSE GRIP (RED)		01	01	01	01	01
15C	0503034497	HYDRAULIC HOSE GRIP (GREEN)		01	01	01	01	01
15D	0503018952	PLASTIC BOLT		03	03	03	03	03
16	0531050512	3/8 X 4500 TR-TM HOSE GREEN / BLUE		01	01	01	01	01
16A	0501080363	3/8" X 177" TR-TM HOSE ASSY		01	01	01	01	01
16B	0503034494	HYDRAULIC HOSE GRIP (BLUE)		01	01	01	01	01
16C	0503034497	HYDRAULIC HOSE GRIP (GREEN)		01	01	01	01	01

HYDRAULIC CIRCUIT - 68/72/76/80/84D

Item	Code	Description	See page	68	72	76	80	84
16D	0503018952	PLASTIC BOLT		03	03	03	03	03
17	0501080605	3/8" X 160" TR-TC HOSE ASSY		02	00	00	00	00
17.	0501081724	HOSE		00	02	00	00	00
17..	0501082214	3/8" X 188" TR-TC HOSE		00	00	02	00	00
17...	0501082213	3/8" X 204" TR-TC HOSE		00	00	00	02	00
17....	0501082210	3/8" X 220" TR-TC HOSE		00	00	00	00	02
18	0521053115	3/8" X 287" TR-TM HOSE		01	00	00	00	00
18A	0501082191	3/8 X 7300 TR-TM HOSE		01	00	00	00	00
19	0521053108	3/8 X 7500 TR-TM HOSE BLACK / RED		00	01	00	00	00
19A	0501080349	3/8" X 7500 TR-TM HOSE		00	01	00	00	00
20	0521054047	3/8" X 303" TR-TM HOSE		00	00	01	00	00
20A	0501082211	3/8 X 7700 TR-TM HOSE		00	00	01	00	00
21	0521054035	3/8 X 7900 TR-TM HOSE BLACK / RED		00	00	00	01	00
21A	0501082212	HOSE 3/8 X 7900 TR-TM		00	00	00	01	00
22	0521054007	3/8" X 318" TR-TM HOSE		00	00	00	00	01
22A	0501082209	3/8 X 8100 TR-TM HOSE		00	00	00	00	01
22B	0503034495	HYDRAULIC HOSE GRIP (RED)		00	00	00	00	01
22C	0503034492	HYDRAULIC HOSE GRIP (BLACK)		00	00	00	00	01
22D	0503018952	PLASTIC BOLT		03	03	03	03	03
23	0521053116	3/8" X 287" TR-TM HOSE		01	00	00	00	00
23A	0501082191	3/8 X 7300 TR-TM HOSE		01	00	00	00	00
24	0521053107	3/8 X 7500 TR-TM HOSE BLACK / BLUE		00	01	00	00	00
24A	0501080349	3/8" X 7500 TR-TM HOSE		00	01	00	00	00
25	0521054046	3/8" X 303" TR-TM HOSE		00	00	01	00	00
25A	0501082211	3/8 X 7700 TR-TM HOSE		00	00	01	00	00
26	0521054048	3/8" X 311" TR-TM HOSE		00	00	00	01	00
26A	0501082212	HOSE 3/8 X 7900 TR-TM		00	00	00	01	00
27	0521054006	3/8" X 318" TR-TM HOSE		00	00	00	00	01
27A	0501082209	3/8 X 8100 TR-TM HOSE		00	00	00	00	01
27B	0503034492	HYDRAULIC HOSE GRIP (BLACK)		01	01	01	01	01
27C	0503034494	HYDRAULIC HOSE GRIP (BLUE)		01	01	01	01	01
27D	0503018952	PLASTIC BOLT		03	03	03	03	03
28	0511018012	HIDRAULIC ADAPTER		02	02	02	02	02



Item	Code	Description	See page	QT
01	0531061884	CASE 85.70 X 265		01
02	0503030385	CYLINDER PLUG N-002		02
03	0503010042	2-214 N 3006-9B O'RING		01
04	0503010063	1" SELF-ALIGNING NUT		01
05	0571019710	1.7" X 3.4" PISTON		01
06	0503017935	RING		01
07	0503018144	RING		01
08	0571019711	RING SUPPORT		01
09	0503010761	D-1750 SCRAPER RING		01
10	0571019709	DETACHABLE COVER		01
11	0503017936	RING		01
12	0503017938	RING GUIDE		01
13	0503017937	GASKET		01
14	0503017940	8-337 BACK-UP RING		02
15	0503017939	2-337 N 3006-9B O' RING		02
16	0531061883	EXTENSOR 44.45 X 535		01
17	0511032281	HYDRAULIC CYLINDER REPAIR KIT		01



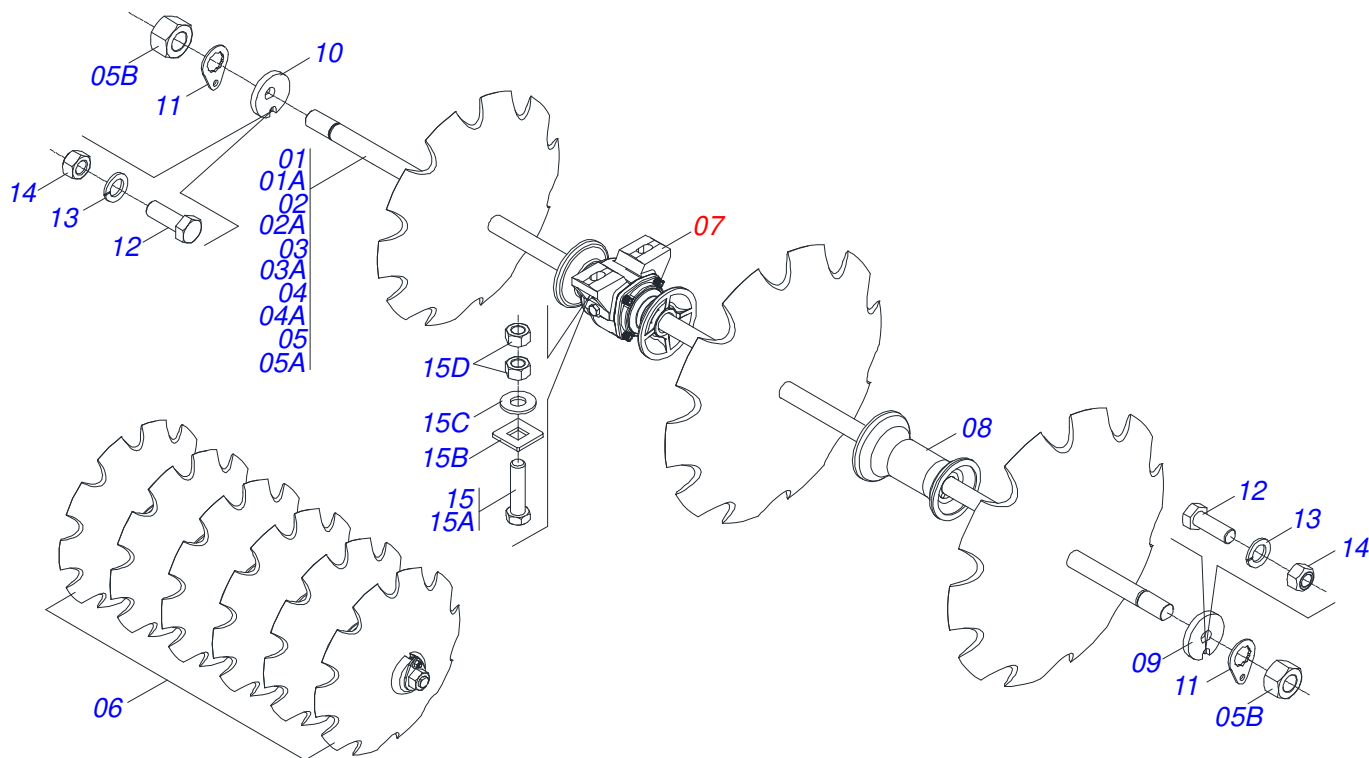
Item	Code	Description	See page	48	52	56	60	64
01	0521045341	AXLE		02	00	00	00	00
01A	0511012017	AXLE		02	00	00	00	00
02	0511054527	AXIS 1.1/2" UNC X 2490 WITH NUTS		00	02	00	00	00
02A	0531019372	AXIS 1.1/2 6FPP X 2490		00	02	00	00	00
03	0511045023	1.1/2" X 2680 AXLE		00	00	02	00	00
03A	0551011002	1.1/2" X 2680 AXLE		00	00	02	00	00
04	0501059898	1.1/2 X 2880 AXLE ASSY		00	00	00	02	00
04A	0561016111	1.1/2 X 2880 AXLE		00	00	00	02	00
05	0501043697	1.1/2" X 1505 AXLE ASSY		00	00	00	00	02
05A	0511012601	1.1/2" X 1505 AXLE		00	00	00	00	02
05B	0501810110	NUT 1.1/2		04	04	04	04	04
06	0602027341	DR20X3,5 C57AF02FR1.9/16 10R TATU		24	26	28	30	32
06.	0602027356	DR20X4,5 C57AF02FR1.9/16 10REC TATU		24	26	28	30	32
06..	0602029422	DR22X3,5 C64AF02FR1.9/16 10R TATU		24	26	28	30	32
06...	0602029416	DR22X4,5 C64AF02FR1.9/16 10REC TATU		24	26	28	30	32
06....	0602030429	NOTCHED DISC BLADE		24	26	28	30	32
07	0501047055	BEARING	45	06	06	06	06	08
07.	0521047187	BEARING		06	00	00	00	00
08	0502010627	SPACER		16	18	20	22	20
09	0502010871	1-1/2" EXTERNAL AXLE WASHER		02	02	02	02	04
10	0502010872	1-1/2" INNER AXLE WASHER		02	02	02	02	04
11	0501018592	1.5/8" NUT LOCK		04	04	04	04	04
12	0503011267	BOLT 5/8 UNC X 1.1/2 C S G.5 ZN		04	04	04	04	04
13	0503010027	5/8" SPRING WASHER		04	04	04	04	04
14	0503010013	5/8" NUT		04	04	04	04	04
15	0501042160	5/8" X 76 BOLT ASSY		12	12	12	12	18
15A	0501011234	5/8" X 3" BOLT		12	12	12	12	18
15B	0501010947	5/8 NUT LOCK		12	12	12	12	18
15C	0501012140	FLAT WASHER		12	12	12	12	18
15D	0503010013	5/8" NUT		12	12	12	12	18
16	0521059224	SCREW ASSEMBLY		12	00	00	00	00



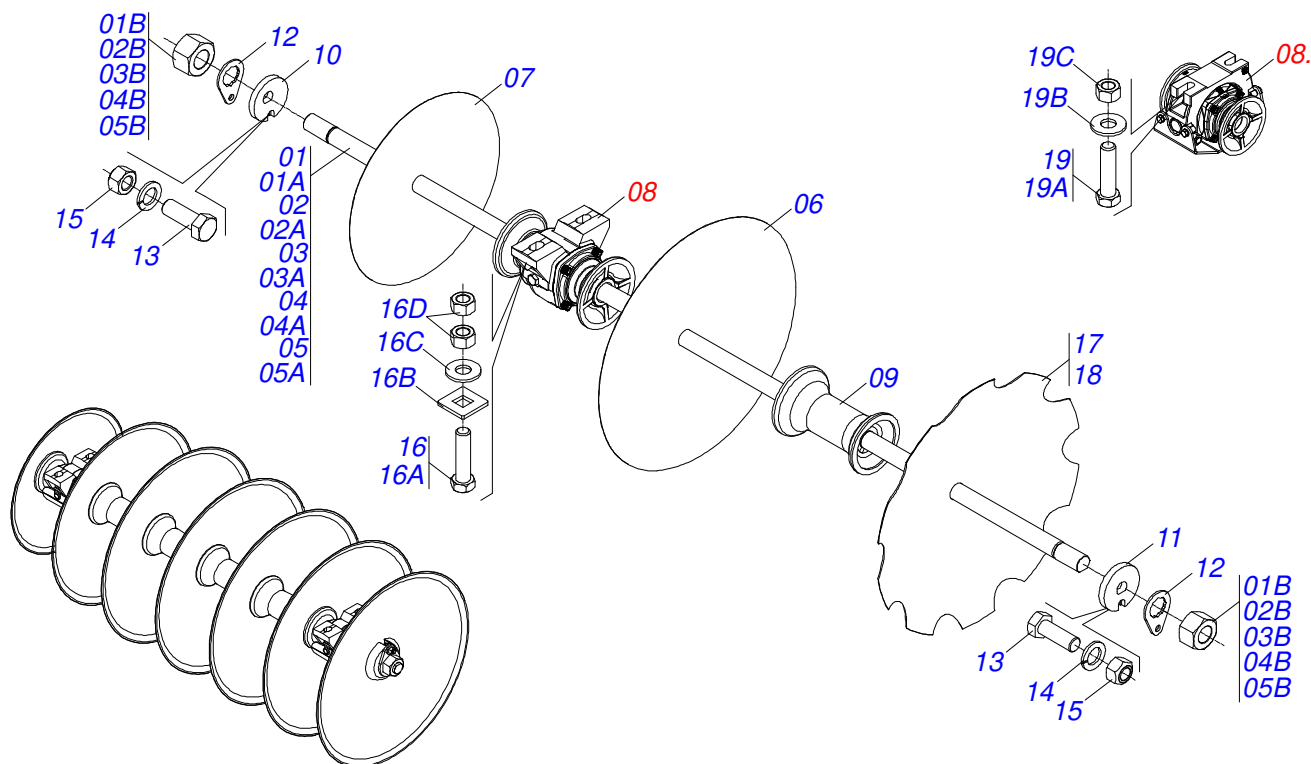
FRONT GANG DISC - 48/52/56/60/64D

0909094924

Item	Code	Description	See page	48	52	56	60	64
16A	0501013233	5/8" X 2-3/4" BOLT		01	00	00	00	00
16B	0501012140	FLAT WASHER		01	00	00	00	00
16C	0503010013	5/8" NUT		02	00	00	00	00



Item	Code	Description	See page	68	72	76	80	84
01	0501046884	1.1/2 X 1705 AXLE W/NUT		02	04	00	00	00
01A	0501018720	1.1/2 X 1705 AXLE		02	04	00	00	00
02	0501043697	1.1/2" X 1505 AXLE ASSY		02	00	02	02	00
02A	0511012601	1.1/2" X 1505 AXLE		02	00	02	02	00
03	0511049630	1.1/2 AXIS		00	00	02	00	00
03A	0561019198	1.1/2 AXIS		00	00	02	00	00
04	0521045341	AXLE		00	00	00	02	00
04A	0511012017	AXLE		00	00	00	02	00
05	0501044105	1.1/2 X 1305 AXLE W/NUT		00	00	00	00	06
05A	0511011914	1.1/2 X 1305 AXLE		00	00	00	00	06
05B	0501810110	NUT 1.1/2		04	04	04	04	04
06	0602027341	DR20X3,5 C57AF02FR1.9/16 10R TATU		24	26	28	30	32
06.	0602027356	DR20X4,5 C57AF02FR1.9/16 10REC TATU		24	26	28	30	32
06..	0602029422	DR22X3,5 C64AF02FR1.9/16 10R TATU		24	26	28	30	32
06...	0602029416	DR22X4,5 C64AF02FR1.9/16 10REC TATU		24	26	28	30	32
06....	0602030429	NOTCHED DISC BLADE		24	26	28	30	32
07	0501047055	BEARING	45	08	08	10	10	12
08	0502010627	SPACER		22	24	24	26	24
09	0502010871	1-1/2" EXTERNAL AXLE WASHER		02	02	02	02	04
10	0502010872	1-1/2" INNER AXLE WASHER		02	02	02	02	04
11	0501018592	1.5/8" NUT LOCK		04	04	04	04	04
12	0503011267	BOLT 5/8 UNC X 1.1/2 C S G.5 ZN		04	04	04	04	04
13	0503010027	5/8" SPRING WASHER		04	04	04	04	04
14	0503010013	5/8" NUT		04	04	04	04	04
15	0501042160	5/8" X 76 BOLT ASSY		12	12	12	12	18
15A	0501011234	5/8" X 3" BOLT		12	12	12	12	18
15B	0501010947	5/8 NUT LOCK		12	12	12	12	18
15C	0501012140	FLAT WASHER		12	12	12	12	18
15D	0503010013	5/8" NUT		12	12	12	12	18



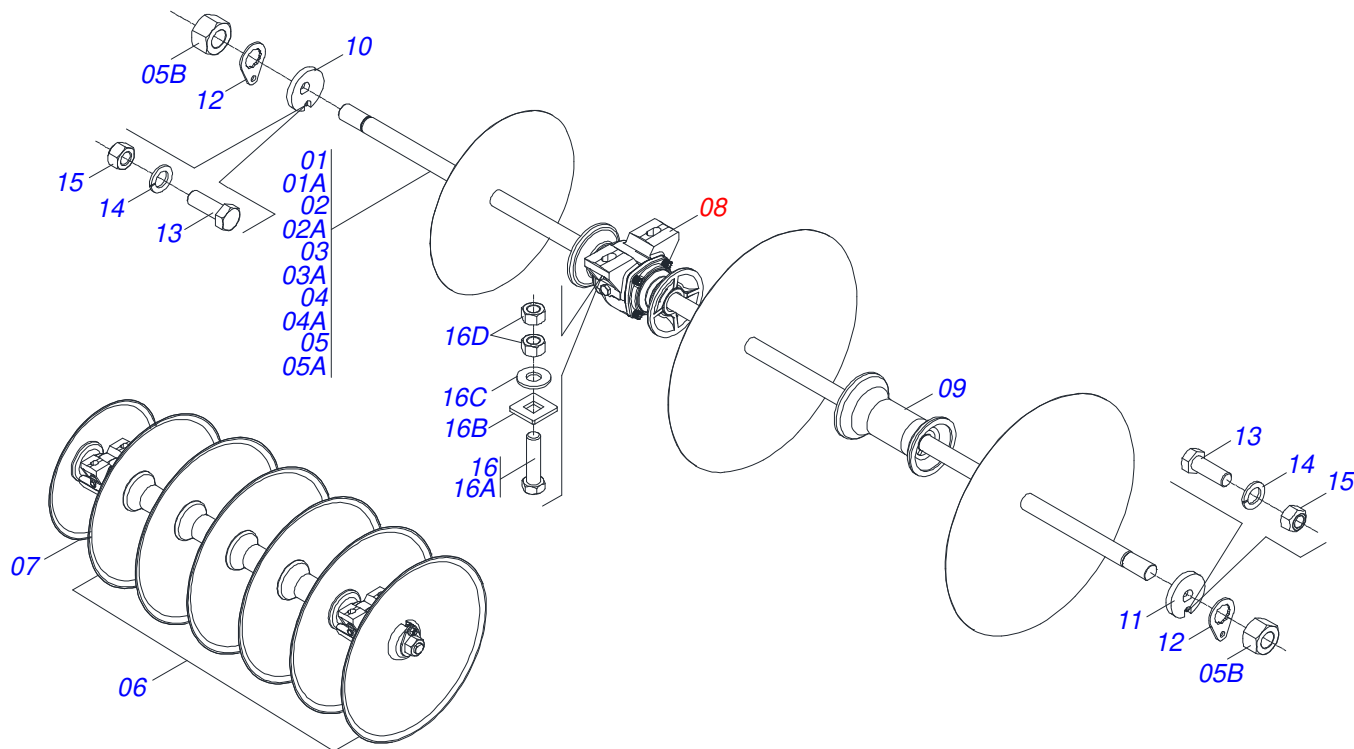
Item	Code	Description	See page	48	52	56	60	64
01	0521045341	AXLE		02	00	00	00	00
01A	0511012017	AXLE		02	00	00	00	00
02	0511054527	AXIS 1.1/2" UNC X 2490 WITH NUTS		00	02	00	00	00
02A	0531019372	AXIS 1.1/2" 6FPP X 2490		00	02	00	00	00
03	0511045023	1.1/2" X 2680 AXLE		00	00	02	00	00
03A	0551011002	1.1/2" X 2680 AXLE		00	00	02	00	00
04	0501059898	1.1/2 X 2880 AXLE ASSY		00	00	00	02	00
04A	0561016111	1.1/2 X 2880 AXLE		00	00	00	02	00
05	0501043697	1.1/2" X 1505 AXLE ASSY		00	00	00	00	02
05A	0511012601	1.1/2" X 1505 AXLE		00	00	00	00	02
05B	0501810110	NUT 1.1/2		04	04	04	04	04
06	0601027302	DL20X3,5 C57AF02FR1.9/16 TATU		22	24	26	28	30
06.	0601027299	DL20X4,5 C57AF02FR1.9/16 TATU		22	24	26	28	30
06..	0601029419	DL22X3,5 C64AF02FR1.9/16 TATU		22	24	26	28	30
06...	0601029413	DL22X4,5 C64AF02FR1.9/16 TATU		22	24	26	28	30
06....	0601031134	DL24X4,5 C66AF02FR1.9/16 D006 TT		22	24	26	28	30
07	0601025033	DL18X3,5 C45AF02FR1.9/16"		02	02	02	02	02
07.	0601025099	18" X 0.1" PLAIN DISC BLADE		02	02	02	02	02
07..	0601027302	DL20X3,5 C57AF02FR1.9/16 TATU		02	02	02	02	02
07...	0601027299	DL20X4,5 C57AF02FR1.9/16 TATU		02	02	02	02	02
07....	0601029414	DL22X4,5 C63AF02FR1.9/16 TATU		02	02	02	02	02
08	0501047055	BEARING	45	06	06	06	06	08
08.	0521047187	BEARING		06	00	00	00	00
09	0502010627	SPACER		16	18	20	22	20
10	0502010871	1-1/2" EXTERNAL AXLE WASHER		02	02	02	02	04
11	0502010872	1-1/2" INNER AXLE WASHER		02	02	02	02	04
12	0501018592	1.5/8" NUT LOCK		04	04	04	04	04
13	0503011267	BOLT 5/8 UNC X 1.1/2 C S G.5 ZN		04	04	04	04	04
14	0503010027	5/8" SPRING WASHER		04	04	04	04	04
15	0503010013	5/8" NUT		04	04	04	04	04
16	0501042160	5/8" X 76 BOLT ASSY		12	12	12	12	18



REAR GANG DISC - 48/52/56/60/64D

0909094926

Item	Code	Description	See page	48	52	56	60	64
16A	0501011234	5/8" X 3" BOLT		12	12	12	12	18
16B	0501010947	5/8 NUT LOCK		12	12	12	12	18
16C	0501012140	FLAT WASHER		12	12	12	12	18
16D	0503010013	5/8" NUT		12	12	12	12	18
17	0602029416	DR22X4,5 C64AF02FR1.9/16 10REC TATU		22	00	00	00	00
18	0602027343	DR20X4,5 C57AF02FR1.9/16 10R TATU		02	00	00	00	00
19	0521059224	SCREW ASSEMBLY		12	00	00	00	00
19A	0501013233	5/8" X 2-3/4" BOLT		01	00	00	00	00
19B	0501012140	FLAT WASHER		01	00	00	00	00
19C	0503010013	5/8" NUT		02	00	00	00	00



Item	Code	Description	See page	68	72	76	80	84
01	0501046884	1.1/2 X 1705 AXLE W/NUT		02	04	00	00	00
01A	0501018720	1.1/2 X 1705 AXLE		02	04	00	00	00
02	0501043697	1.1/2" X 1505 AXLE ASSY		02	00	02	02	00
02A	0511012601	1.1/2" X 1505 AXLE		02	00	02	02	00
03	0511049630	1.1/2 AXIS		00	00	02	00	00
03A	0561019198	1.1/2 AXIS		00	00	02	00	00
04	0521045341	AXLE		00	00	00	02	00
04A	0511012017	AXLE		00	00	00	02	00
05	0501044105	1.1/2 X 1305 AXLE W/NUT		00	00	00	00	06
05A	0511011914	1.1/2 X 1305 AXLE		00	00	00	00	06
05B	0501810110	NUT 1.1/2		04	04	04	04	04
06	0601027302	DL20X3,5 C57AF02FR1.9/16 TATU		32	34	36	38	40
06.	0601027299	DL20X4,5 C57AF02FR1.9/16 TATU		32	34	36	38	40
06..	0601029419	DL22X3,5 C64AF02FR1.9/16 TATU		32	34	36	38	40
06...	0601029413	DL22X4,5 C64AF02FR1.9/16 TATU		32	34	36	38	40
06....	0601031134	DL24X4,5 C66AF02FR1.9/16 D006 TT		32	34	36	38	40
07	0601025033	DL18X3,5 C45AF02FR1.9/16"		02	02	02	02	02
07.	0601025099	18" X 0.1" PLAIN DISC BLADE		02	02	02	02	02
07..	0601027302	DL20X3,5 C57AF02FR1.9/16 TATU		02	02	02	02	02
07...	0601027299	DL20X4,5 C57AF02FR1.9/16 TATU		02	02	02	02	02
07....	0601029414	DL22X4,5 C63AF02FR1.9/16 TATU		02	02	02	02	02
07.....	0602029416	DR22X4,5 C64AF02FR1.9/16 10REC TATU		32	34	36	38	40
07.....	0602027119	DR20X4,5 C57AF02FR1.9/16 (D006) 10REC		02	02	02	02	02
08	0501047055	BEARING	45	06	06	06	06	08
09	0502010627	SPACER		16	18	20	22	20
10	0502010871	1-1/2" EXTERNAL AXLE WASHER		02	02	02	02	04
11	0502010872	1-1/2" INNER AXLE WASHER		02	02	02	02	04
12	0501018592	1.5/8" NUT LOCK		04	04	04	04	04
13	0503011267	BOLT 5/8 UNC X 1.1/2 C S G.5 ZN		04	04	04	04	04
14	0503010027	5/8" SPRING WASHER		04	04	04	04	04
15	0503010013	5/8" NUT		04	04	04	04	04

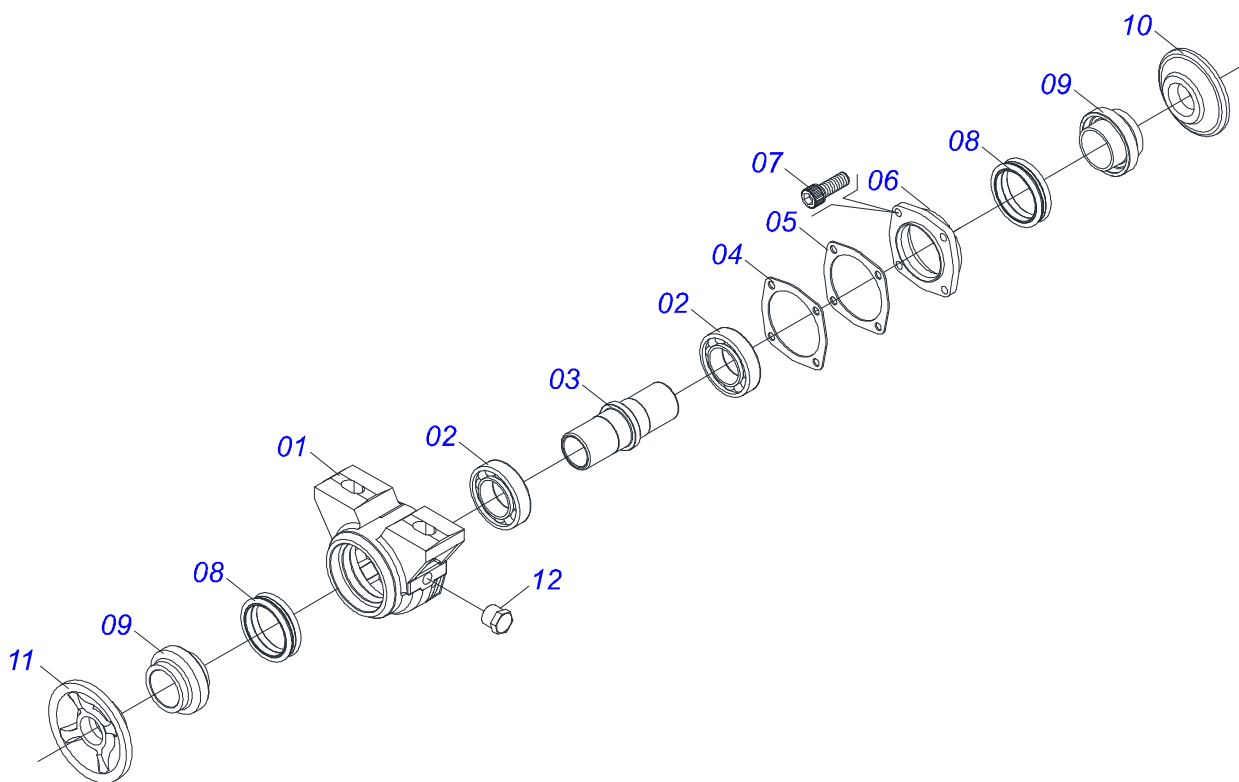


REAR GANG DISC - 68/72/76/80/84D

0909094927

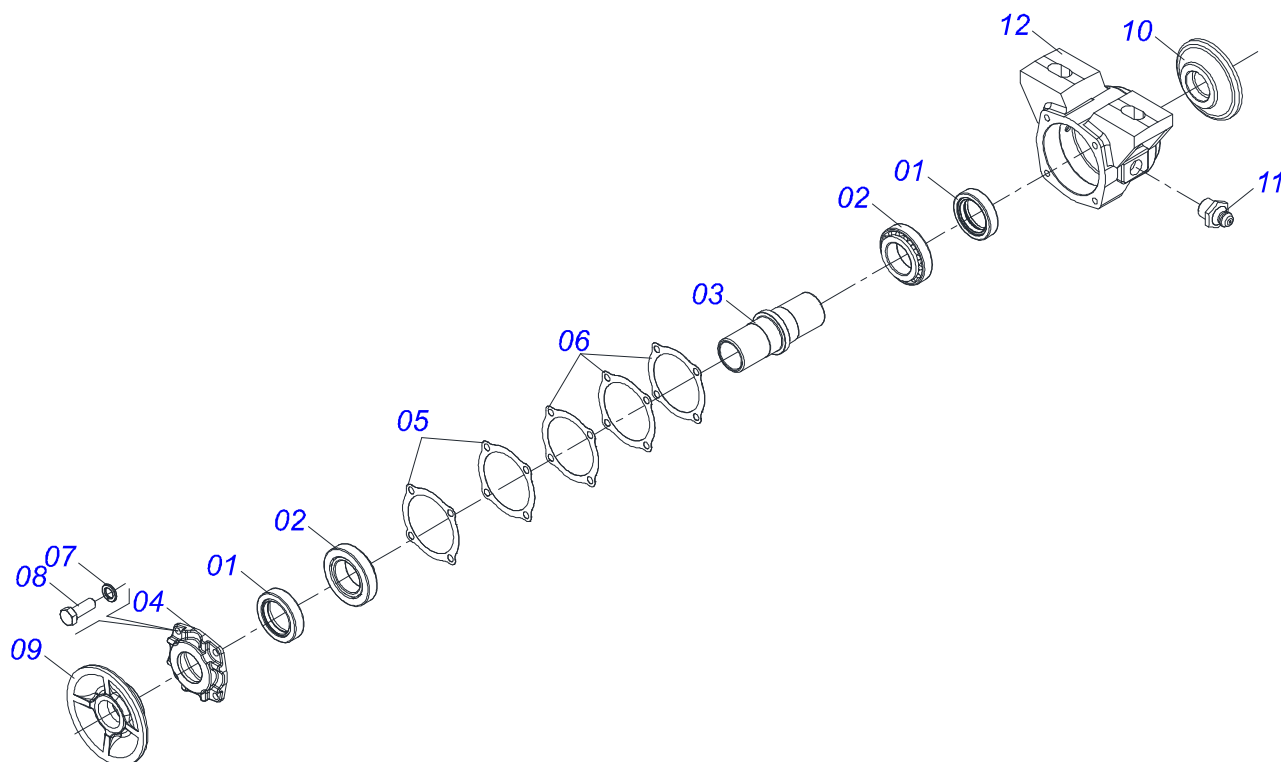
Item	Code	Description	See page	68	72	76	80	84
16	0501042160	5/8" X 76 BOLT ASSY		12	12	12	12	18
16A	0501011234	5/8" X 3" BOLT		12	12	12	12	18
16B	0501010947	5/8 NUT LOCK		12	12	12	12	18
16C	0501012140	FLAT WASHER		12	12	12	12	18
16D	0503010013	5/8" NUT		12	12	12	12	18

BEARING



Item	Code	Description	See page	QT
01	0502010540	HOUSING DM		01
02	0503010006	32210 ROLLER BEARING		02
03	0502040061	AXLE		01
04	0503030013	4.4" X 3.5" X 0.004" JOINT		03
05	0503030684	4.4" X 3.5" X 0.004" JOINT		02
06	0502020424	HOUSING CAP		01
07	0503010134	3/8" X 1" BOLT		04
08	0503030026	SEAL LP JB-253		02
09	0502010541	SEAL RETAINER		02
10	0502010604	OUTER FLANGE		01
11	0502010605	INNER FLANGE		01
12	0503010856	OIL PLUG		02

BEARING



Item	Code	Description	See page	QT
01	0503010468	SEAL 01199-GB		01
02	0503010006	32210 ROLLER BEARING		02
03	0502040061	AXLE		01
04	0502020273	HOUSING CAP CM		01
05	0503030684	4.4" X 3.5" X 0.004" JOINT		02
06	0503030013	4.4" X 3.5" X 0.004" JOINT		03
07	0503011443	3/8" SPRING WASHER		04
08	0503810237	3/8 UNC X 1 C S G.5 SA BOLT		04
09	0502010604	OUTER FLANGE		01
10	0502010605	INNER FLANGE		01
11	0503010002	1800 GREASE FITTING		02
12	0502020313	HOUSING CM		01



MARCHESAN

Technical Publications | Elaboration and Revision

LORENA ROCHA ALVES

www.marchesan.com.br

