

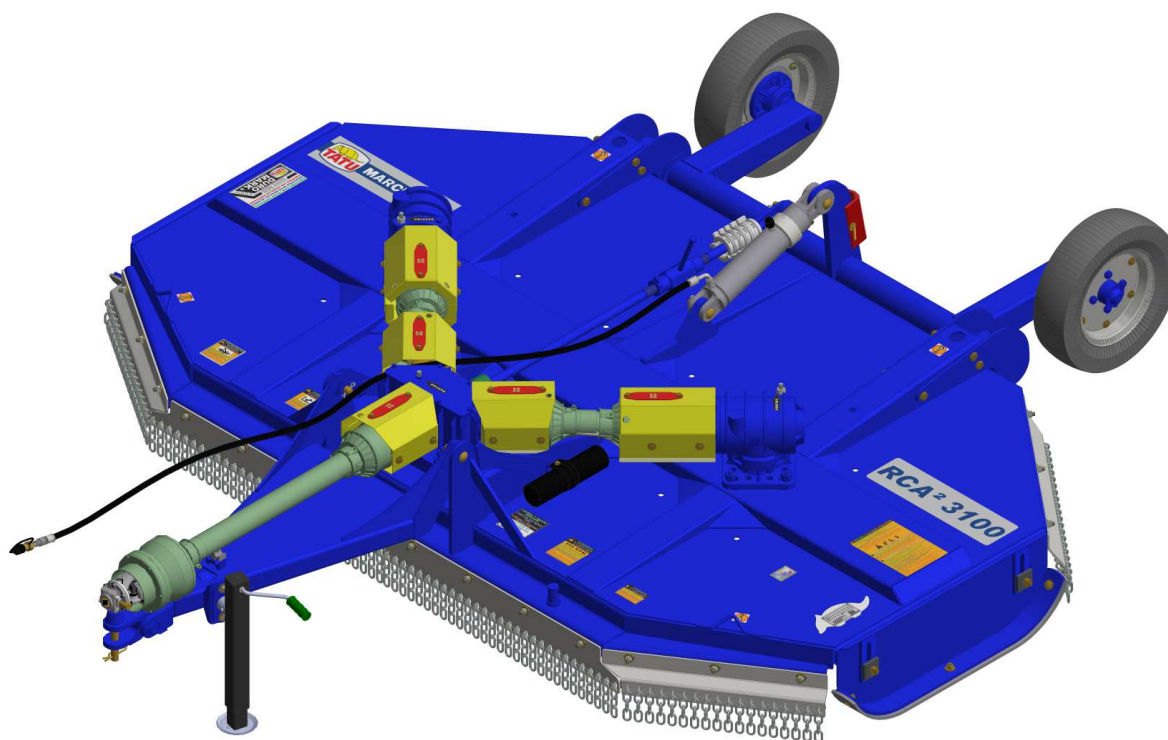
## ROTARY CUTTERS

**Code:**

0501092803

**Product:**

RCA2 3100



**Series:**

S-0516

**Revision:**

00

**Date Revision:**

AGOSTO/2020



# PRODUCTS

Code	Description
0104120082	RCA2 3100 C/R C/P S-0516

## ATTENTION: IMPORTANT

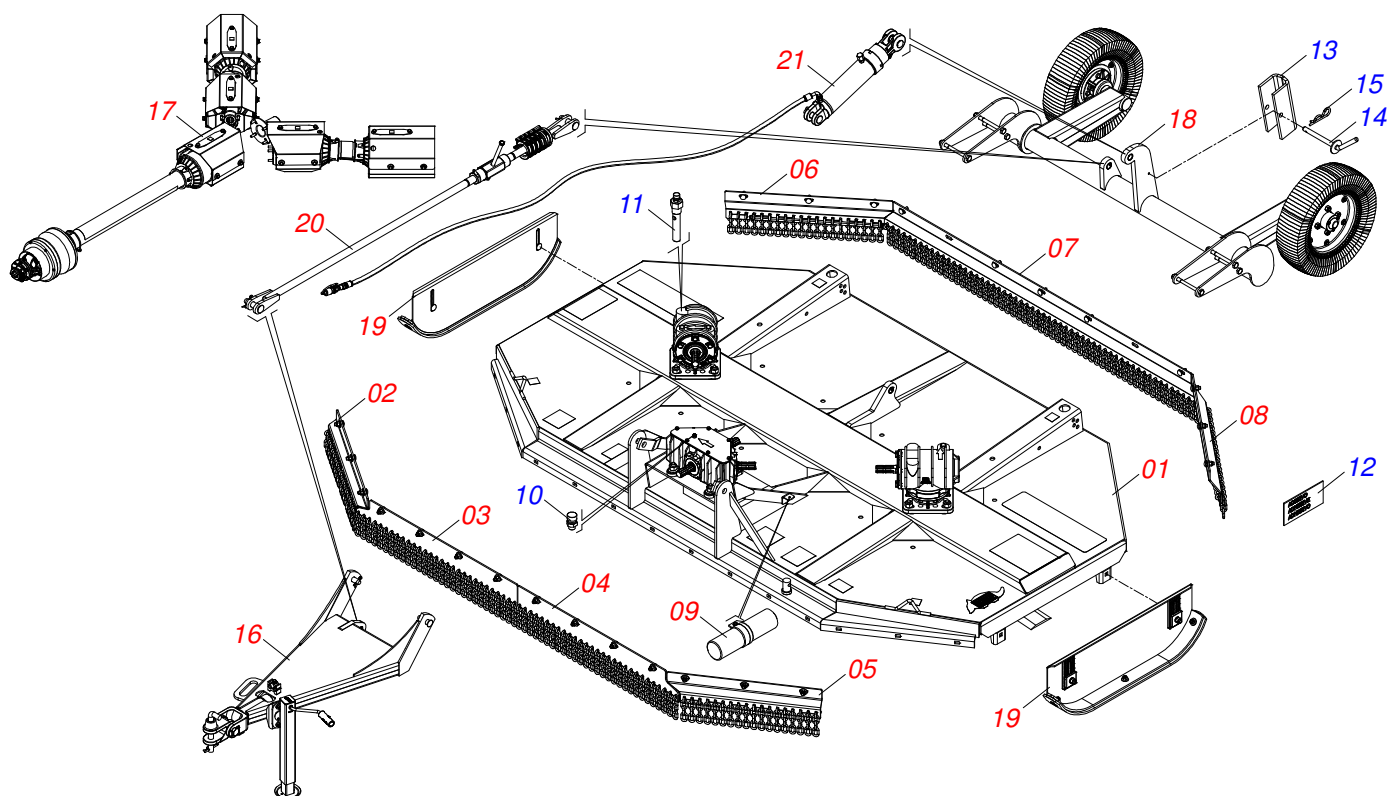
Marchesan S.A. reserves the right to improve and / or modify the technical features of its products, without obligation to do the same with those products already sold and without prior knowledge of the dealer or the consumer.



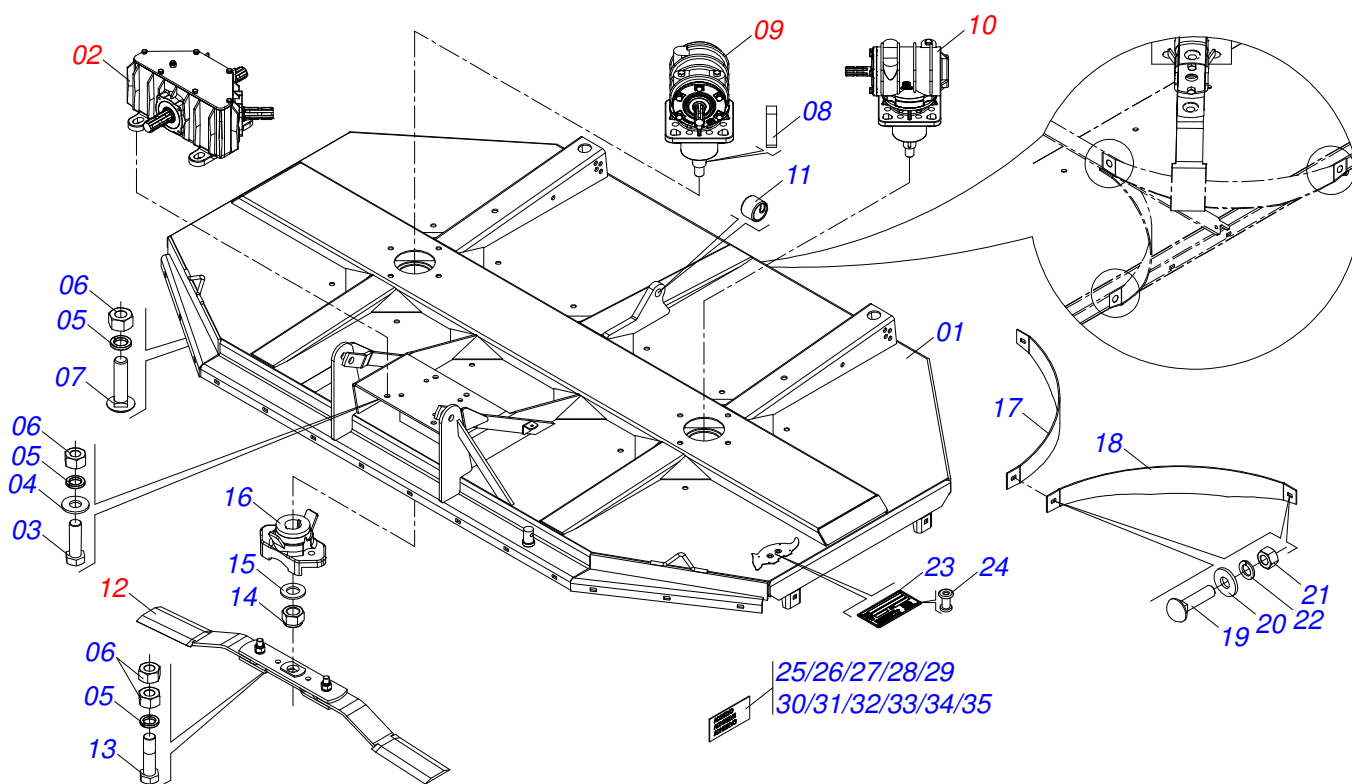
**MARCHESAN**

# INDEX

0909099193	FRAME ASSY	.....	1
0521055537	FRAME SEMI MOUNTED	.....	2
0501044074	TRIPE DISTRIBUTOR	.....	3
0511042527	RIGHT MULTIPLIER	.....	4
0511042525	LEFT MULTIPLICATOR	.....	5
0501056330	CUTTER BLADES ROTARY SUPPORT	.....	6
0511059918	RIGHT FRONT CHAIN PROTECTION	.....	7
0511059916	CENTRAL RIGHT FRONT CHAIN PROTECTION	.....	8
0511059915	FRONT LEFT CENTRAL CHAIN PROTECTION	.....	9
0511059921	FRONT LEFT CHAIN PROTECTION	.....	10
0511059914	RIGHT REAR CHAIN PROTECTION	.....	11
0521055540	CENTRAL REAR CHAIN PROTECTION	.....	12
0511059913	LEFT REAR CHAIN PROTECTION	.....	13
0521055539	MANUAL CANISTER ASSY	.....	14
0909099194	COMPLETE HEADER ASSY	.....	15
0501053006	HEAD WITH TRACTOR HITCH	.....	16
0503062157	HEADER JACK	.....	17
0909099195	COMPLETE CARDAN ASSY	.....	18
0501049129	DRIVE SHAFT	.....	19
0909099201	CARDAN PROTECTIVE COVERS ASSY	.....	20
0909099196	COMPLETE WHEEL ASSY	.....	21
0511055573	WHEEL TRANSPORT WITH CUBE	.....	22
0501043559	SEGMENTED WHEEL 525	.....	23
0909099197	SKATE ASSEMBLY	.....	24
0909099199	COMPLETE STICK ASSY	.....	25
0909099200	HYDRAULIC CIRCUIT ASSY	.....	26
0511058441	HYDRAULIC CYLINDER 44,45 X 85,70 X 540 X 179	.....	27
0501053834	MALE QUICK COUPLER WITH CAP - 1/2 NPT	.....	28



Item	Code	Description	See page	QT
01	052105537	FRAME SEMI MOUNTED	2	01
02	0511059918	RIGHT FRONT CHAIN PROTECTION	7	01
03	0511059916	CENTRAL RIGHT FRONT CHAIN PROTECTION	8	01
04	0511059915	FRONT LEFT CENTRAL CHAIN PROTECTION	9	01
05	0511059921	FRONT LEFT CHAIN PROTECTION	10	01
06	0511059914	RIGHT REAR CHAIN PROTECTION	11	01
07	0521055540	CENTRAL REAR CHAIN PROTECTION	12	01
08	0511059913	LEFT REAR CHAIN PROTECTION	13	01
09	0521055539	MANUAL CANISTER ASSY	14	01
10	0503010325	VCA-118 VALVE		01
11	0501110186	OIL SMALLER LEVEL INDICATOR		02
12	0503031087	ADHESIVE LABEL		01
13	0521014258	LOCK BOLT		01
14	0501068994	0.3" X 3.1" LOCK PIN		01
15	0503030168	HAIR PIN		01
16	0909099194	COMPLETE HEADER ASSY	15	01
17	0909099195	COMPLETE CARDAN ASSY	18	01
18	0909099196	COMPLETE WHEEL ASSY	21	01
19	0909099197	SKATE ASSEMBLY	24	01
20	0909099199	COMPLETE STICK ASSY	25	01
21	0909099200	HYDRAULIC CIRCUIT ASSY	26	01



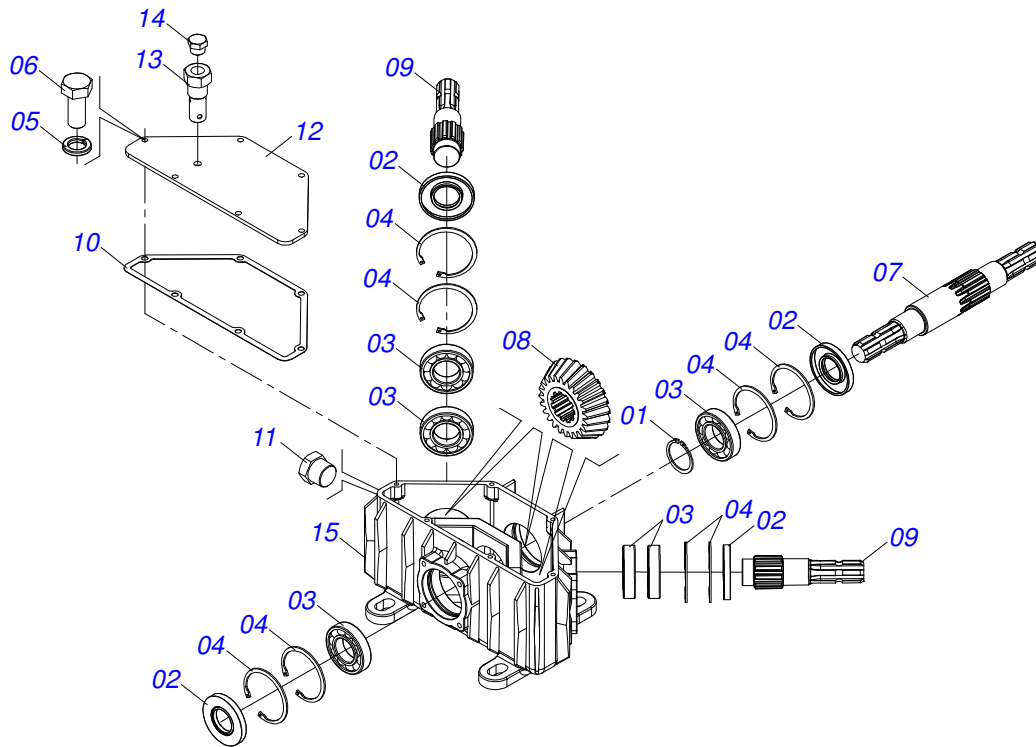
Item	Code	Description	See page	QT
01	0521069396	FRAME		01
02	0501044074	TRIPLE DISTRIBUTOR	3	01
03	0501010125	3/4" X 2-1/2" BOLT		04
04	0501010322	FLAT WASHER		04
05	0503011442	3/4" SPRING WASHER		16
06	0503010014	3/4" NUT		20
07	0503017867	SCREW 3/4 UNC X 4.1/2 CAPQ G.7 ZN		08
08	0501010536	KEYWAY SQUARE		04
09	0511042527	RIGHT MULTIPLIER	4	01
10	0511042525	LEFT MULTIPLICATOR	5	01
11	0511019921	1.3" X 0.1" X 1" SLEEVE		01
12	0501056330	CUTTER BLADES ROTARY SUPPORT	6	02
13	0503010901	3/4UNC 3.1/2 BOLT		04
14	0503010817	1.1/4" SELF LOCKING NUT		02
15	0501017779	32 X 60 X 4.75 FLAT WASHER		02
16	0502012453	SUPPORT FLANGE		02
17	0571016768	SPREADER		01
18	0571016769	SPREADER		01
19	0501010243	1/2" X 1-1/2" BOLT		03
20	0511017302	FLAT WASHER		03
21	0503012682	1/2" BSW NUT		03
22	0503011440	SPRING WASHER		03
23	0503034003	SERIAL NUMBER TAG 61 X 118		01
24	0503010001	3.2 X 5.5 RIVET		04
25	0503034078	LIFTING POINTS DECAL		04
26	0503032949	ADHESIVE LABEL		01
27	0503032534	ADHESIVE LABEL		01
28	0503031932	ADHESIVE LABEL		01
29	0503031930	ADHESIVE LABEL		01
30	0503031929	ADHESIVE LABEL		01
31	0503031428	READ MANUAL DECAL		01



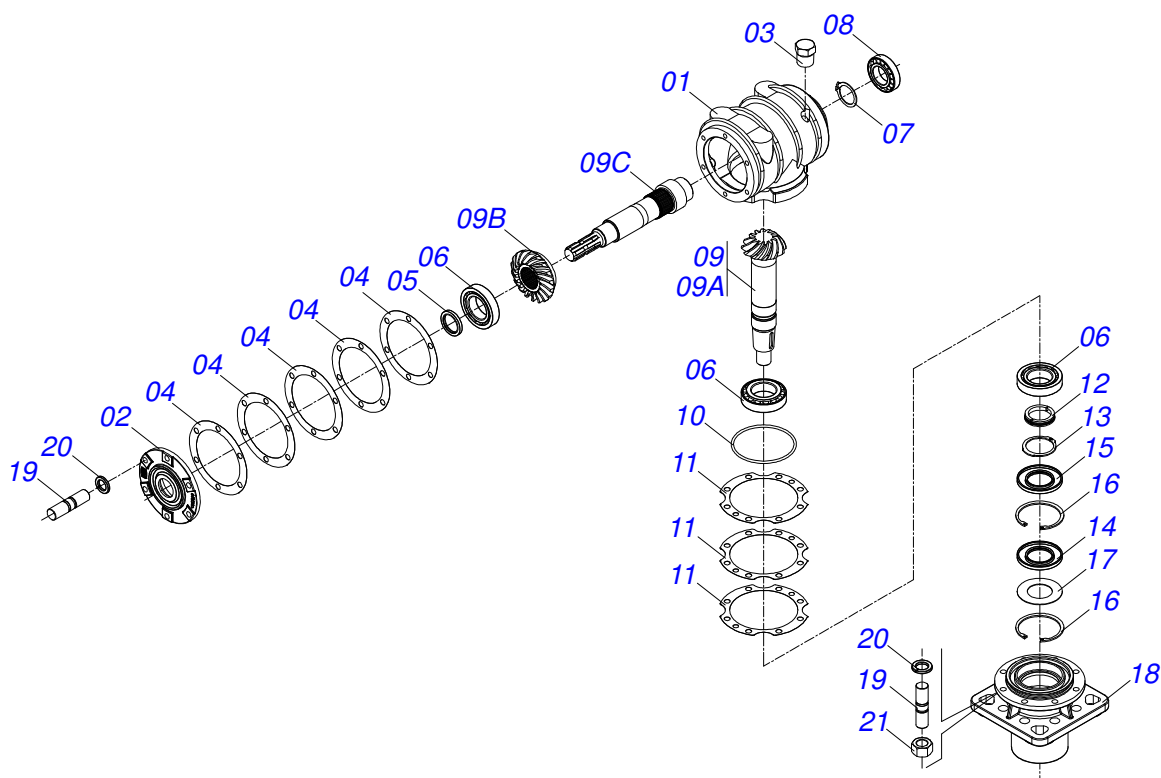
**RCA2 3100**  
**FRAME SEMI MOUNTED**

Page 2  
0521055537

Item	Code	Description	See page	QT
32	0503031427	ADHESIVE LABEL		01
33	0503031127	ADHESIVE LABEL		03
34	0503034752	ADHESIVE LABEL		01
35	0503034333	ADHESIVE LABEL		01

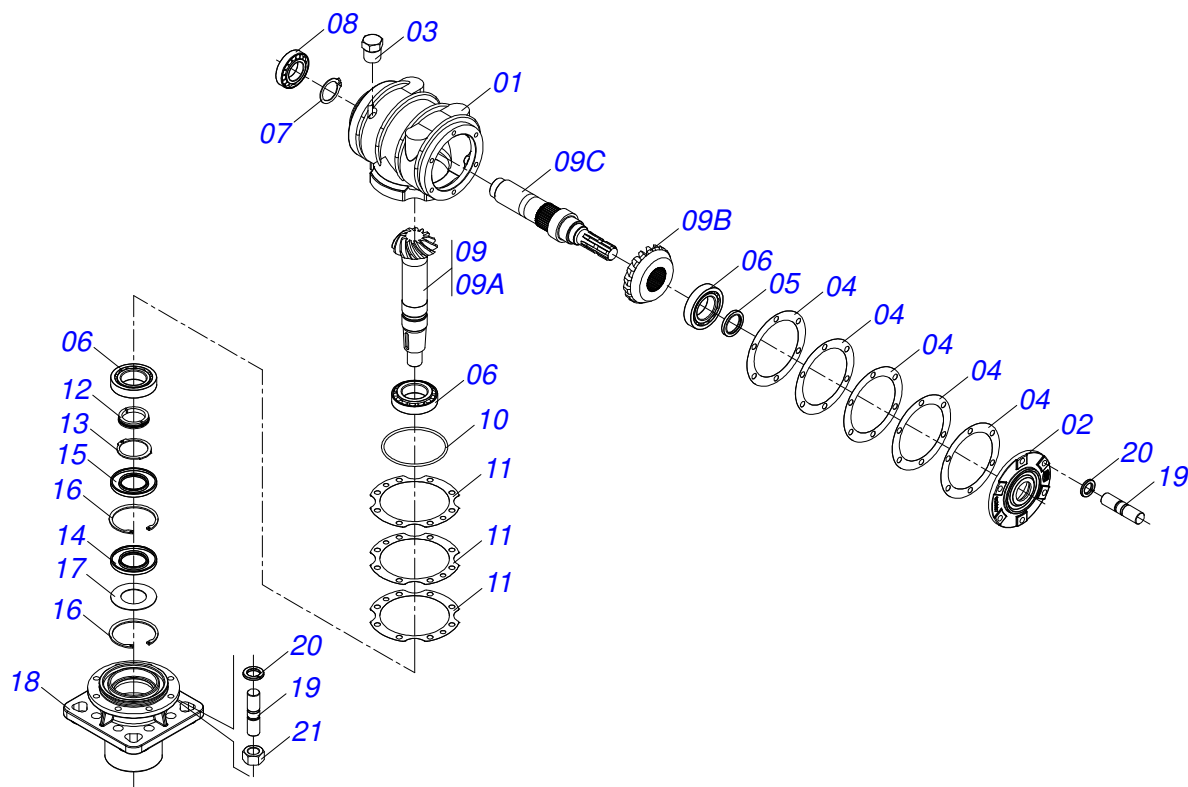


Item	Code	Description	See page	QT
01	0503010372	501050 CLAMPING RING (FOR AXLE)		01
02	0503010818	02675-BRG SEAL		04
03	0503011095	6208 BALL BEARING		06
04	0503011100	502080 CLAMPING RING (FOR AXLE)		08
05	0503011444	SPRING WASHER		06
06	0503010240	5/16" X 3/4" BOLT		06
07	0503030631	CENTRAL AXLE		01
08	0503030632	24Z CONICAL GEAR		03
09	0503030633	SIDE AXLE		02
10	0503030656	13.9" X 6.1" X 0.03" JOINT		01
11	0503010856	OIL PLUG		01
12	0511011206	BOX COVER		01
13	0511013020	1.49" BREATHING HOLE		01
14	0511017907	1/8" BSPT X 6 PLUG		01
15	0502010861	DISTRIBUTOR BOX		01
16	3402301247	MINERAL OIL GREASE		02Lts

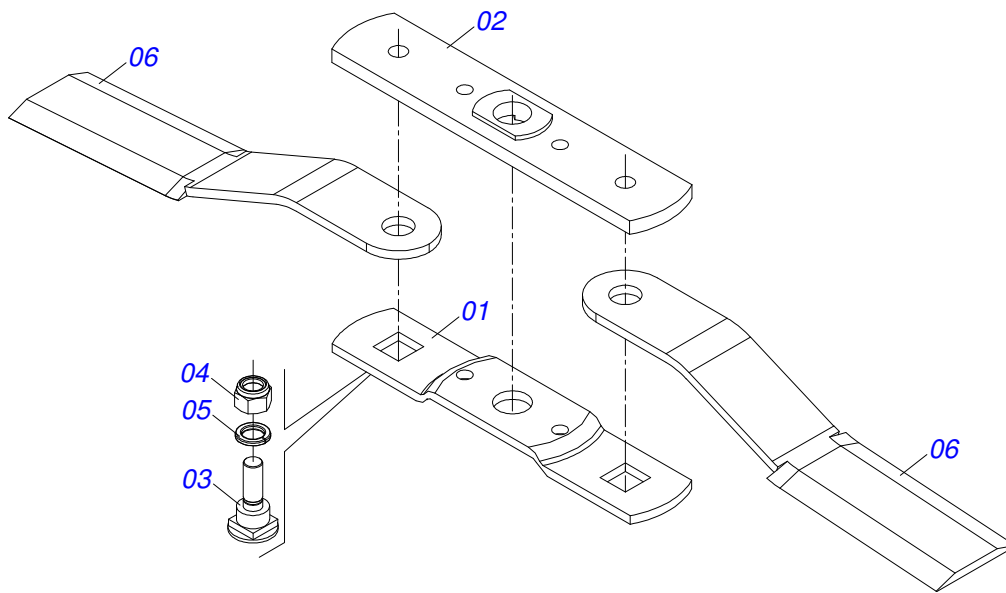


Item	Code	Description	See page	QT
01	0502012204	SPEED MULTIPLER BOX	01	01
02	0502012203	RH COVER MULTIPLIER	01	01
03	0503031604	1/2" BSP PLUG	02	02
04	0503030783	7.1" X 5.3" X 0.008" JOINT	05	05
05	0503012103	5301 -BSEAL	01	01
06	0503012418	32211 ROLLER BEARING	03	03
07	0503014772	501056 CLAMPING RING (FOR AXLE)	01	01
08	0503010750	30209 BALL BEARING	01	01
09	0503061699	CHAIN ASSY	01	01
09A	0503031917	12Z LOWER CONICAL GEAR	01	01
09B	0503031918	18Z CONICAL GEAR	01	01
09C	0503032058	UPPER AXLE	01	01
10	0503010286	2-355 N 3006-9B O'RING	01	01
11	0503030785	7.9" X 5.9" X 0.008" JOINT	03	03
12	0531019302	LOCK RING	01	01
13	0503012311	501065 RENO RING	01	01
14	0503013201	ARCA 6016 BRG SEAL	01	01
15	0503013211	6016 BRG SEAL	01	01
16	0503011420	502100 CLAMPING RING (FOR AXLE)	02	02
17	0531018823	FLAT WASHER	01	01
18	0502012206	LOWER HUB	01	01
19	0503030084	1/2" X 1/2" X 2.0" STUD	14	14
20	0503011440	SPRING WASHER	14	14
21	0503010028	1/2" NUT	14	14
22	3402301247	MINERAL OIL GREASE	03	03



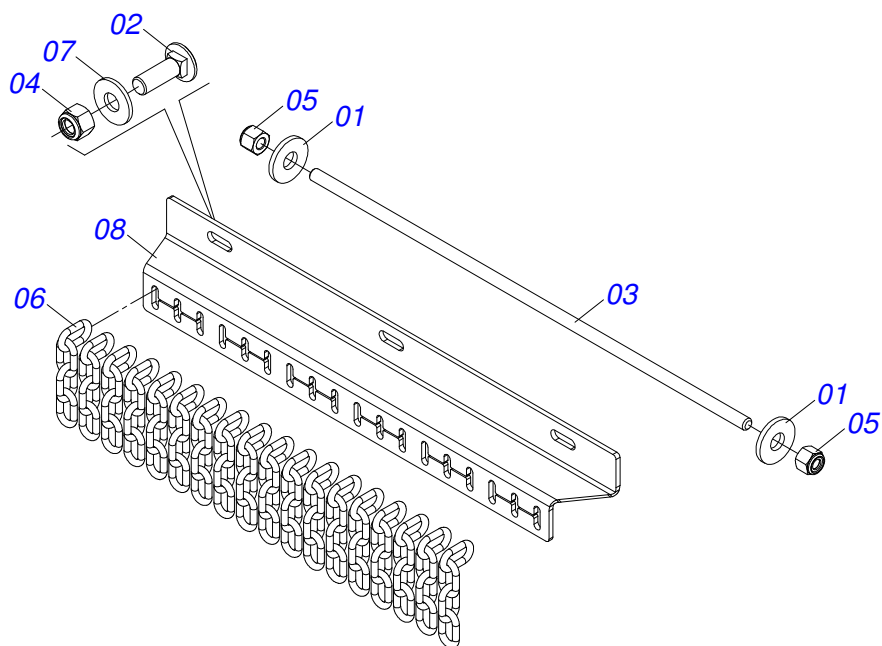


Item	Code	Description	See page	QT
01	0502012205	BOX MULTIPLIER		01
02	0502012207	COVER MULTIPLIER		01
03	0503031604	1/2" BSP PLUG		01
04	0503030783	7.1" X 5.3" X 0.008" JOINT		05
05	0503012103	5301 -BSEAL		01
06	0503012418	32211 ROLLER BEARING		03
07	0503014772	501056 CLAMPING RING (FOR AXLE)		01
08	0503010750	30209 BALL BEARING		01
09	0503061698	CROWN PINION SET 12Z 12Z AXLE LEFT		01
09A	0503031917	12Z LOWER CONICAL GEAR		01
09B	0503031918	18Z CONICAL GEAR		01
09C	0503032043	UPPER AXLE		01
10	0503010286	2-355 N 3006-9B O'RING		01
11	0503030785	7.9" X 5.9" X 0.008" JOINT		03
12	0531019302	LOCK RING		01
13	0503012311	501065 RENO RING		01
14	0503013201	ARCA 6016 BRG SEAL		01
15	0503013211	6016 BRG SEAL		01
16	0503011420	502100 CLAMPING RING (FOR AXLE)		02
17	0531018823	FLAT WASHER		01
18	0502012206	LOWER HUB		01
19	0503030084	1/2" X 1/2" X 2.0" STUD		14
20	0503011440	SPRING WASHER		14
21	0503010028	1/2" NUT		14
22	3402301247	MINERAL OIL GREASE		03



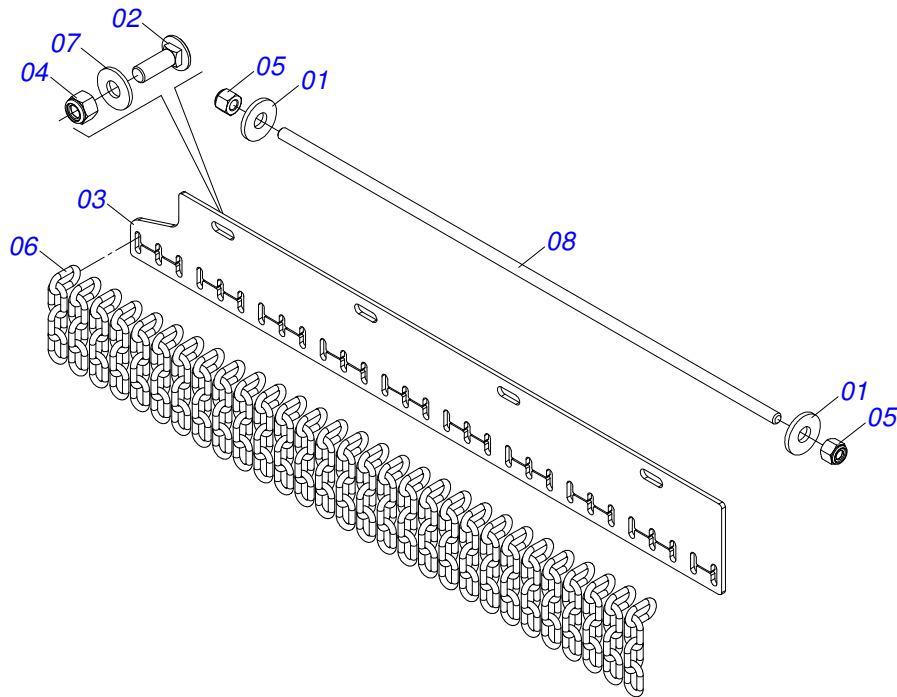
Item	Code	Description	See page	QT
01	0561017368	ROTARY LOWER SUPPORT		01
02	0561017308	SUPPORT UPPER BASE		01
03	0511019000	BOLT		02
04	0503010812	7/8" UNF SELF LOCKING NUT		02
05	0503011447	SPRING WASHER		02
06	0622400051	24.5" X 3.94" X 0.5" ROTARY CUTTER		02

RIGHT FRONT CHAIN PROTECTION



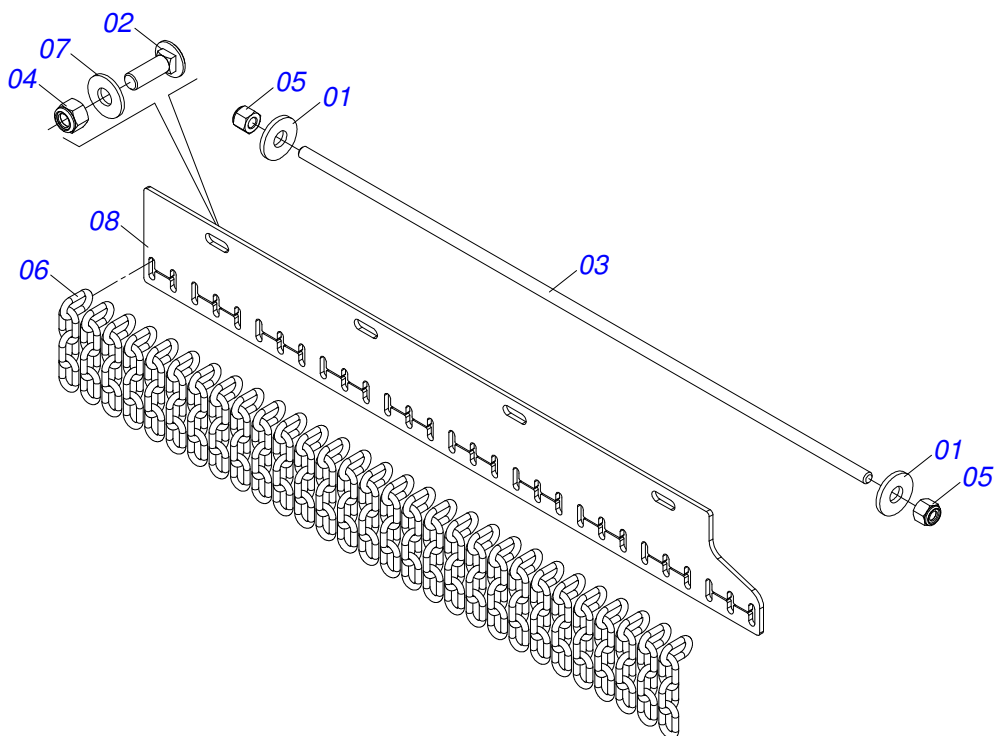
Item	Code	Description	See page	QT
01	0501010984	FLAT WASHER		02
02	0501011600	1/2" X 1-1/4" BOLT		03
03	0581013059	ROD CURRENT PROTECTION		01
04	0503012682	1/2" BSW NUT		03
05	0503013759	NUT		02
06	0511011774	8,00 CHAIN 4 LINK		18
07	0511017302	FLAT WASHER		03
08	0581013058	RIGHT FRONT CHAIN PROTECTION BODY		01

CENTRAL RIGHT FRONT CHAIN PROTECTION



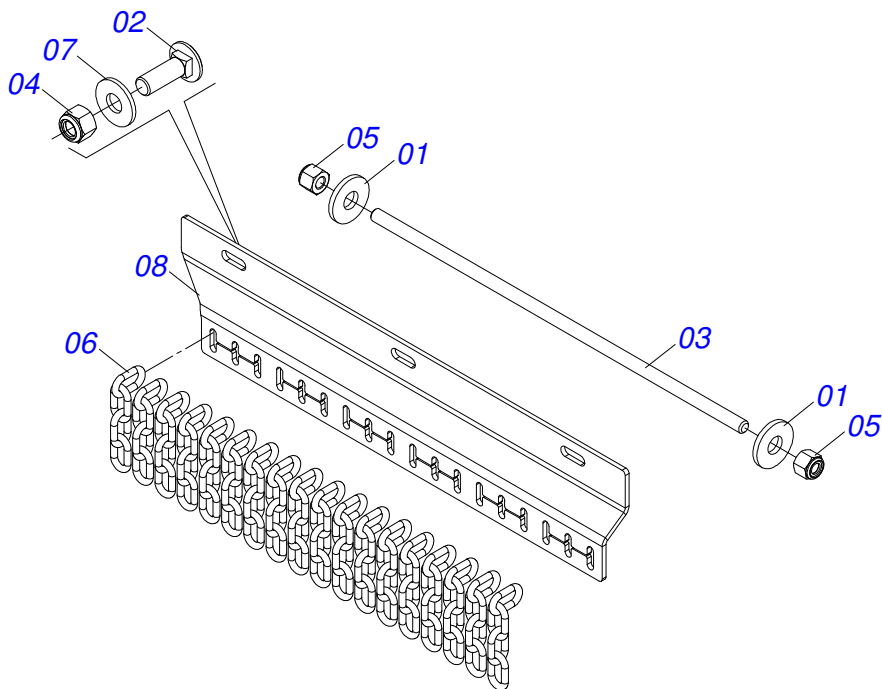
Item	Code	Description	See page	QT
01	0501010984	FLAT WASHER		02
02	0501011600	1/2" X 1-1/4" BOLT		04
03	0581013056	FRONT CENTRAL CHAIN PROTECTION BODY		01
04	0503012682	1/2" BSW NUT		04
05	0503013759	NUT		02
06	0511011774	8,00 CHAIN 4 LINK		29
07	0511017302	FLAT WASHER		04
08	0581013057	ROD CURRENT PROTECTION		01

FRONT LEFT CENTRAL CHAIN PROTECTION



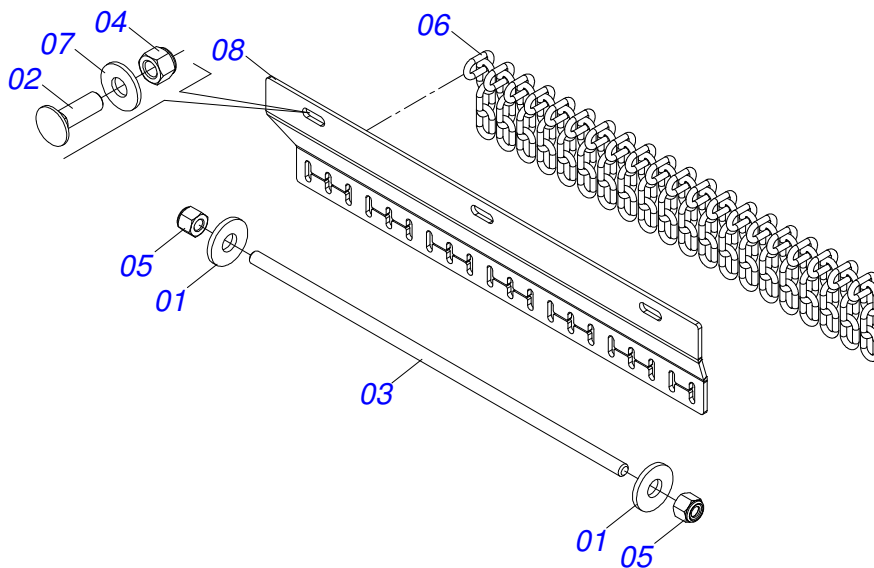
Item	Code	Description	See page	QT
01	0501010984	FLAT WASHER		02
02	0501011600	1/2" X 1-1/4" BOLT		04
03	0581013057	ROD CURRENT PROTECTION		01
04	0503012682	1/2" BSW NUT		04
05	0503013759	NUT		02
06	0511011774	8,00 CHAIN 4 LINK		29
07	0511017302	FLAT WASHER		04
08	0581013056	FRONT CENTRAL CHAIN PROTECTION BODY		01

FRONT LEFT CHAIN PROTECTION

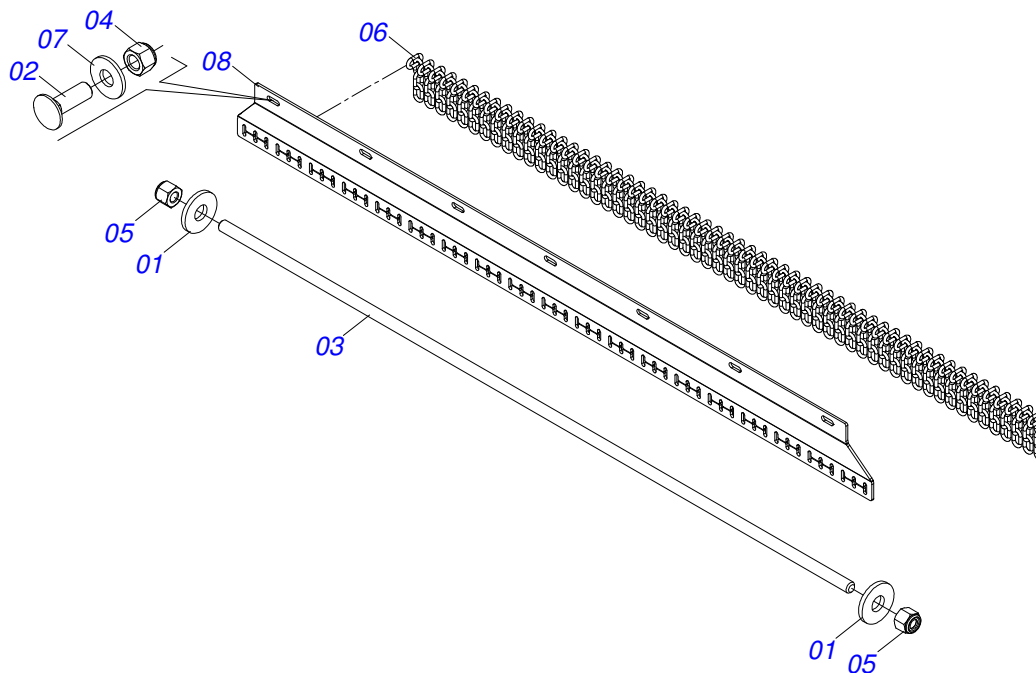


Item	Code	Description	See page	QT
01	0501010984	FLAT WASHER		02
02	0501011600	1/2" X 1-1/4" BOLT		03
03	0581013059	ROD CURRENT PROTECTION		01
04	0503012682	1/2" BSW NUT		03
05	0503013759	NUT		02
06	0511011774	8,00 CHAIN 4 LINK		18
07	0511017302	FLAT WASHER		03
08	0581013060	BODY PROTECTION LEFT FRONT CHAINS		01

RIGHT REAR CHAIN PROTECTION



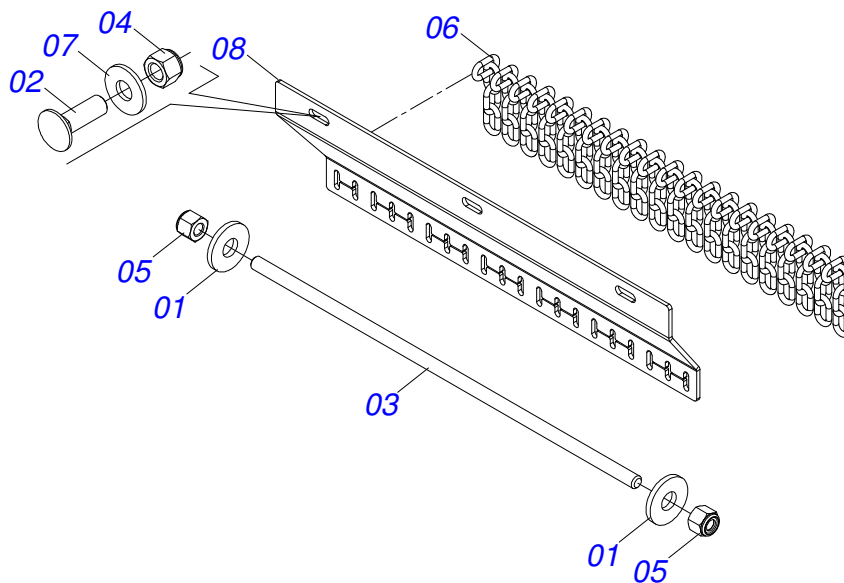
Item	Code	Description	See page	QT
01	0501010984	FLAT WASHER		02
02	0501011600	1/2" X 1-1/4" BOLT		03
03	0581014039	CURRENT PROTECTION BAR (725)		01
04	0503012682	1/2" BSW NUT		03
05	0503013759	NUT		02
06	0511011774	8,00 CHAIN 4 LINK		20
07	0511017302	FLAT WASHER		03
08	0581013055	BODY PROTECTION RIGHT REAR CHAINS		01



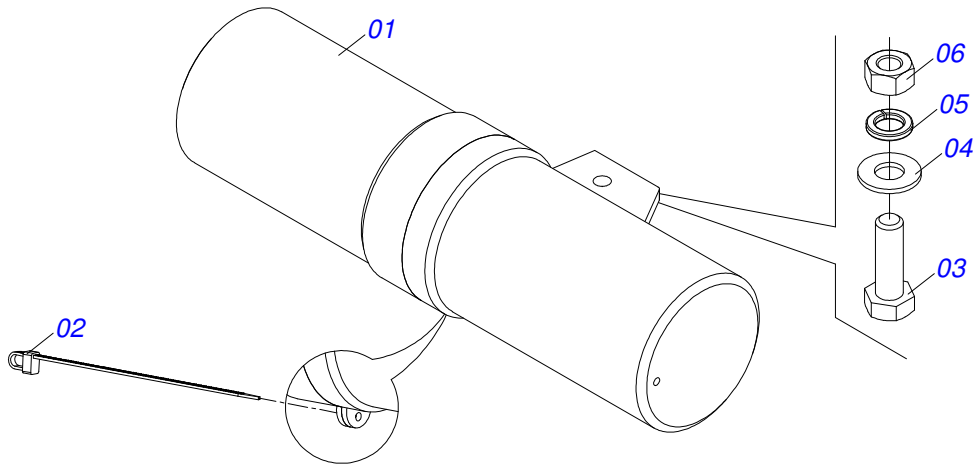
Item	Code	Description	See page	QT
01	0501010984	FLAT WASHER		02
02	0501011600	1/2" X 1-1/4" BOLT		05
03	0581013043	ROD CURRENT PROTECTION		01
04	0503012682	1/2" BSW NUT		05
05	0503013759	NUT		02
06	0511011774	8,00 CHAIN 4 LINK		57
07	0511017302	FLAT WASHER		05
08	0581013041	BODY PROTECTION CENTRAL REAR CHAINS		01



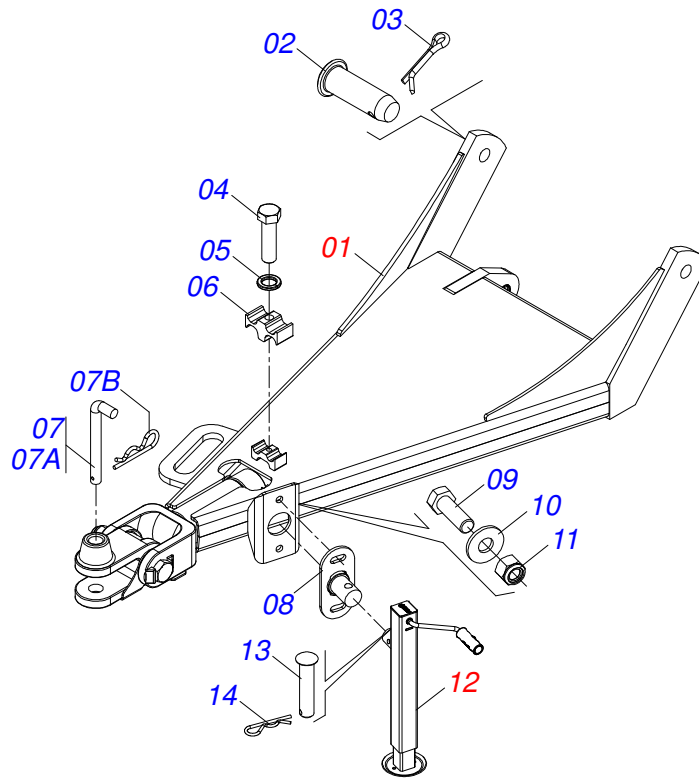
LEFT REAR CHAIN PROTECTION



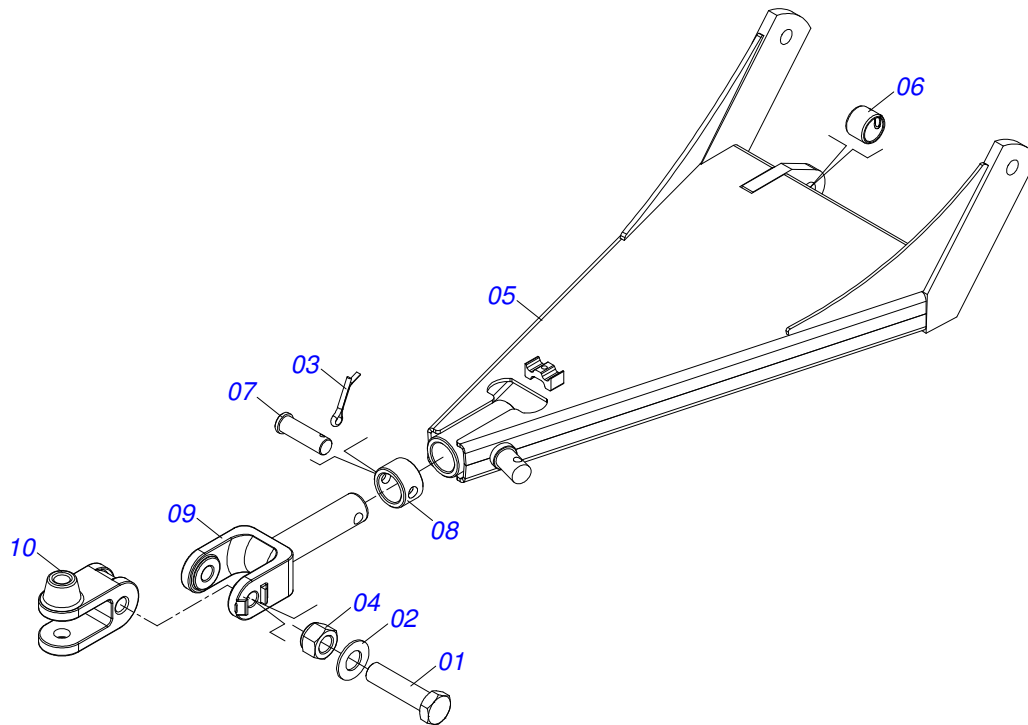
Item	Code	Description	See page	QT
01	0501010984	FLAT WASHER		02
02	0501011600	1/2" X 1-1/4" BOLT		03
03	0581014039	CURRENT PROTECTION BAR (725)		01
04	0503012682	1/2" BSW NUT		03
05	0503013759	NUT		02
06	0511011774	8,00 CHAIN 4 LINK		20
07	0511017302	FLAT WASHER		03
08	0581013053	BODY PROTECTION LEFT REAR CHAINS		01



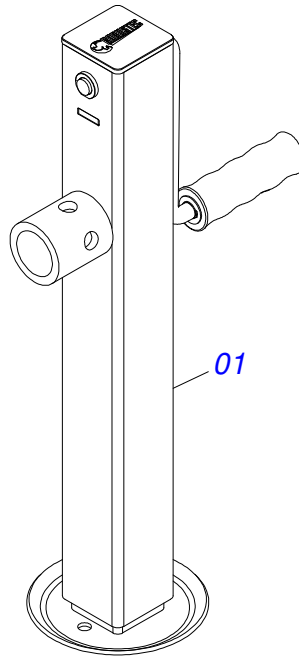
Item	Code	Description	See page	QT
01	0503060100	OPERATOR'S MANUAL STORAGE TUBE		01
02	0503010267	NYLON CLAMP		01
03	0503010363	5/16" X 1" BOLT		01
04	0501010694	8.5 X 18 X 1.5 FLAT WASHER		01
05	0503010179	5/16" ZN SPRING WASHER		01
06	0503010337	5/16" NUT		01



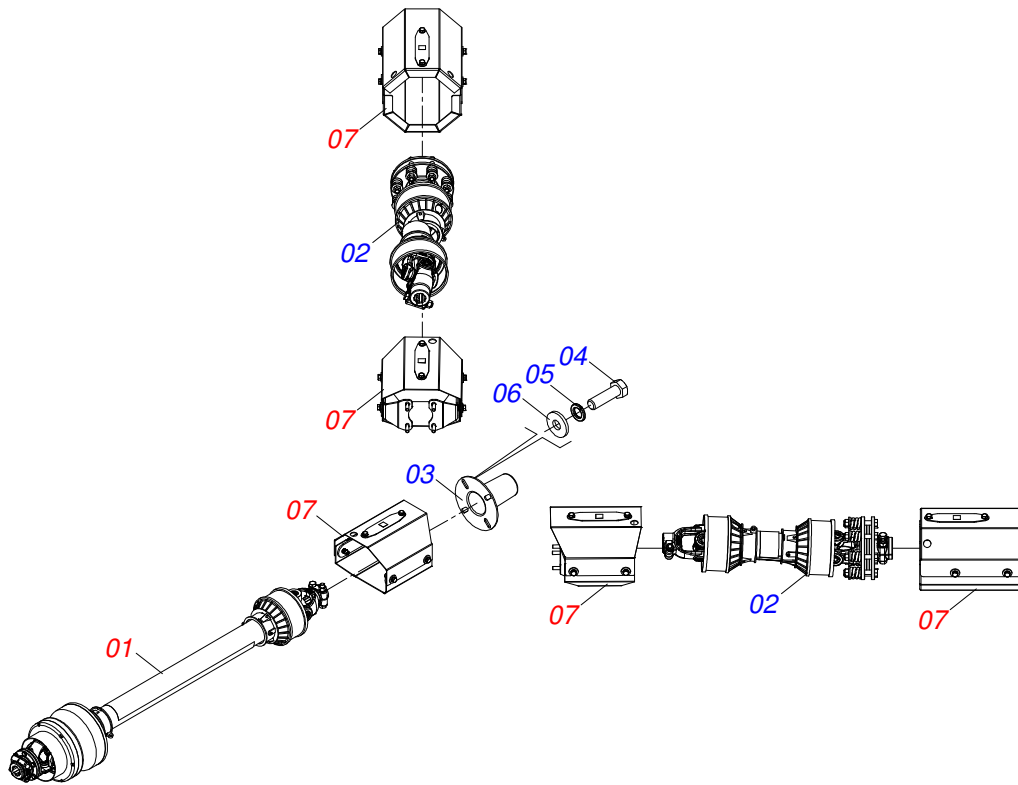
Item	Code	Description	See page	QT
01	0501053006	HEAD WITH TRACTOR HITCH	16	01
02	0521010572	0.9" X 2.9" COUPLING SHAFT		02
03	0503010571	1/4" X 1.1/2 COTTERPIN		02
04	0503012555	SCREW 7/16 UNC X 2 CS RT G.7 ZN		01
05	0503010180	7/16" SPRING WASHER		01
06	0502012702	BODY SUPPORT CLAMP		01
07	0501040343	DRAWBOLT ASSY		01
07A	0521010453	AXI SHAFT		01
07B	0503031035	HAIR PIN		01
08	0531060493	MOBILE FIXING FLANGE MONO		01
09	0503010920	1/2" X 1.1/2" BOLT		02
10	0511017302	FLAT WASHER		02
11	0503010589	1/2" UNC SELF ADJUSTING NUT		02
12	0503062157	HEADER JACK	17	01
13	0521010549	COUPLING SHAFT		01
14	0503030168	HAIR PIN		01



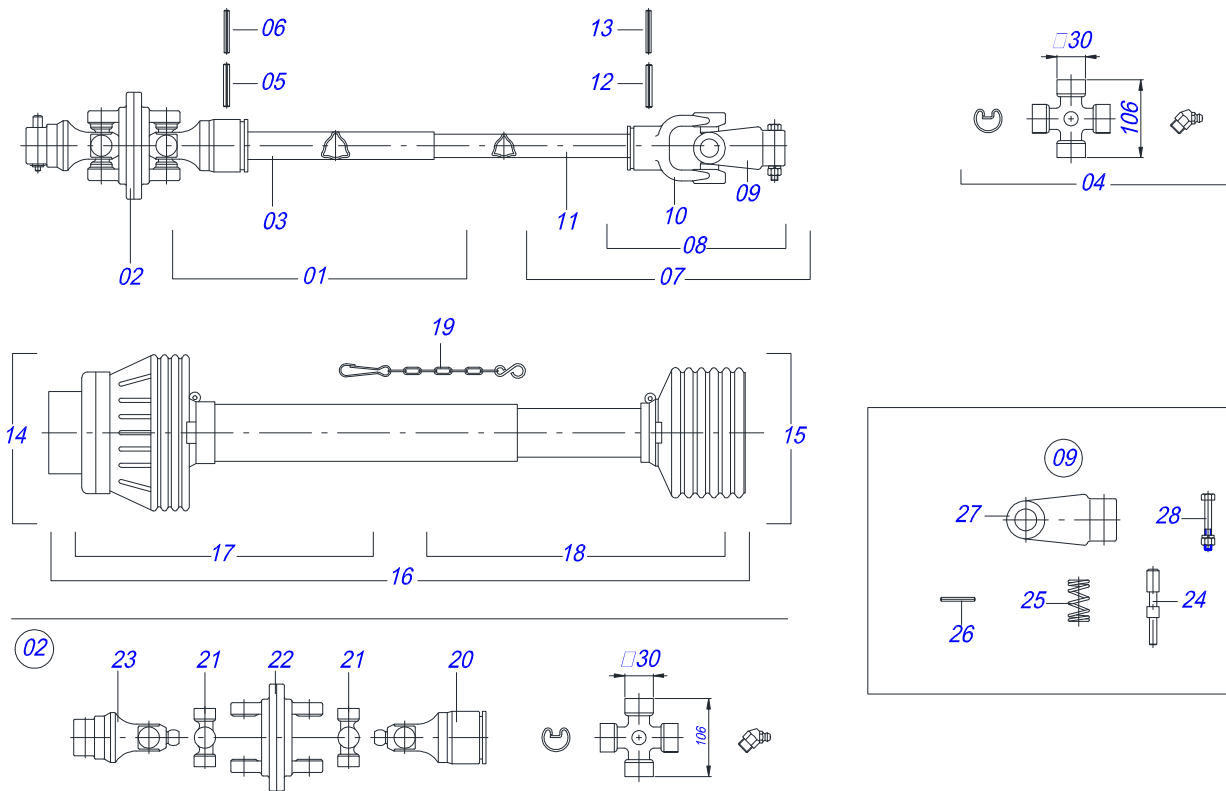
Item	Code	Description	See page	QT
01	0501010060	1" X 6-1/2" BOLT		01
02	0501810623	27 X 53 X 3.00 FLAT WASHER		01
03	0503010571	1/4" X 1.1/2 COTTERPIN		01
04	0503018754	1-8 UNC NUT		01
05	0511062049	DRAWBAR		01
06	0511019921	1.3" X 0.1" X 1" SLEEVE		01
07	0521010639	COUPLING SHAFT		01
08	0521010681	BUSHING COUPLING BODY		01
09	1902040923	ROTATING HITCH		01
10	1902040921	U HITCH TRACTOR		01



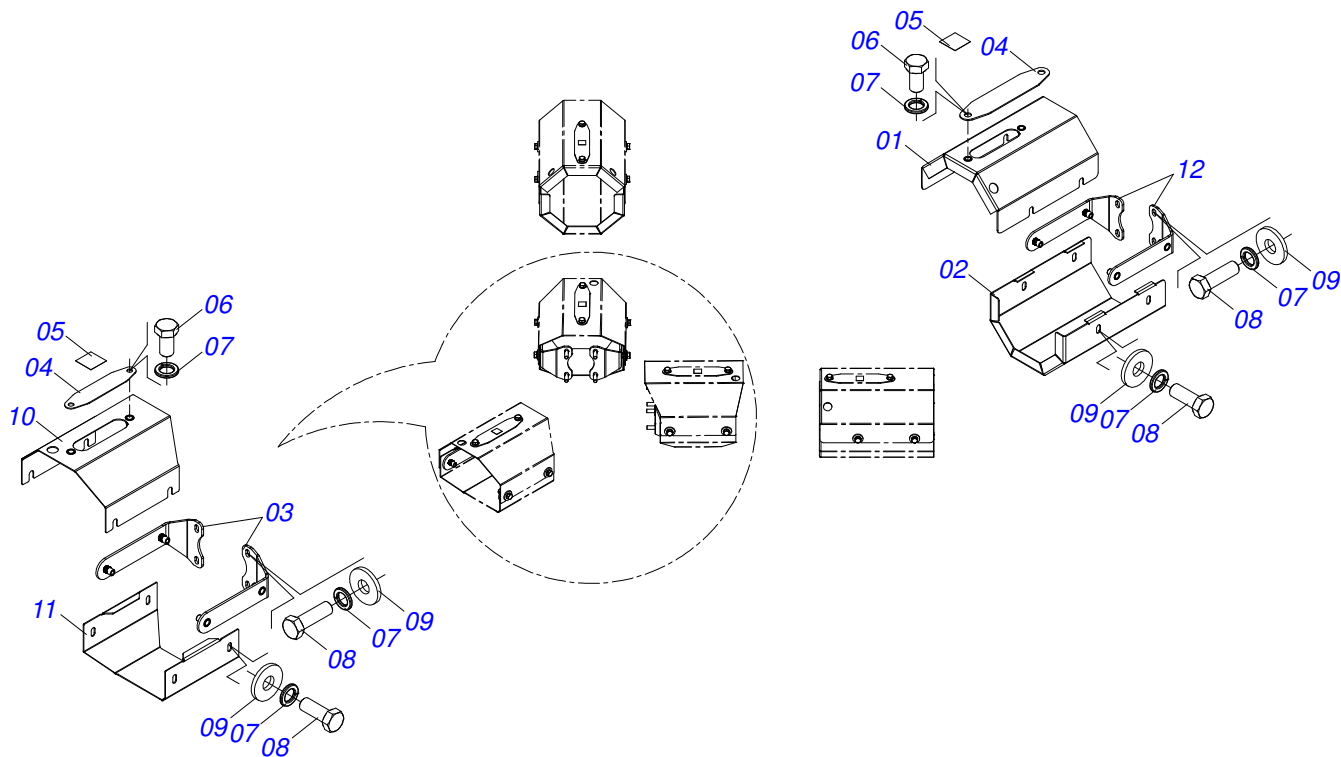
Item	Code	Description	See page	QT
01	0503062157	HEADER JACK	17	01



Item	Code	Description	See page	QT
01	0501049129	DRIVE SHAFT	19	01
02	0503062281	CARDAN		02
03	0503034005	COVER PROTECTION FOR SHAFT		01
04	0503010751	C3/8" X 1.1/4" HEX BOLT G.5		04
05	0503010025	3/8" SPRING WASHER		04
06	0501010984	FLAT WASHER		04
07	0909099201	CARDAN PROTECTIVE COVERS ASSY	20	01

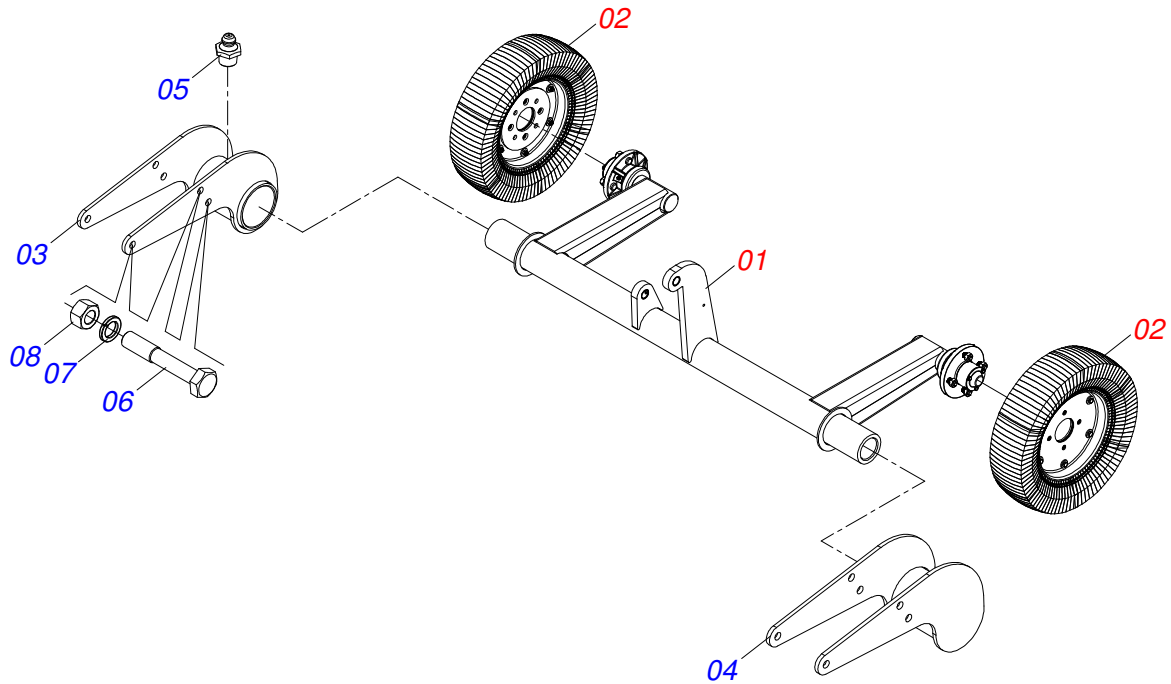


Item	Code	Description	See page	QT
01	0501052544	HOMO JOINT WITH FEMALE BUSHING		01
02	0501052518	HOMOCINETIC JOINT ASSY		01
03	0503012618	2.1" X 2.0" X 31" TRIAN FEMALE TUB		01
04	0503010837	CARDAN CROSSPIECE		01
05	0503010843	0.4" X 3.3" SPRING PIN		01
06	0503011878	0.2" X 3.3" SPRING PIN		01
07	0501052545	UNIVERSAL JOINT WITH CROSS/SHAFT		01
08	0501052546	UNIVERSAL JOINT		01
09	0501052516	T6-60 TERMINAL WITH SCREW		01
10	0503012600	T3-60/CI52 TERMINAL		01
11	0503012619	1.8" X 1.7" X 31" TRIAN MALE TUB		01
12	0503011069	0.4" X 2.8" SPRING PIN		01
13	0503011805	0.2" X 2.8" SPRING PIN		01
14	0501052548	HOMO JOINT WITH PROT FEMALE BUSHING		01
15	0501052549	UNIVERSAL JOINT WITH SHAFT/PROT		01
16	0503012620	PROTECTION ASSY		01
17	0503012621	PROTECTION FOR HOMO JOINT AND SLEEV		01
18	0503012076	PROTECTION FOR UNIV JOINT AND AXLE		01
19	0503012023	CHAIN FOR PROTECTION		01
20	0503012604	HOMO TERMINAL W/ FEMALE BUSHING		01
21	0503012605	CROSSPIECE		02
22	0503012606	CENTER BODY		01
23	0503012607	TRACTOR HOMOCINETIC TERMINAL		01
24	0503037375	PIN QUICK COUPLING		02
25	0503030518	0.5"X1.0"X 0.1" COMPRESSION SPRING		02
26	0503010838	0.1" X 0.8" SPRING PIN		02
27	0502010830	6-60 STRIATED 1.3/8" TERMINAL		01
28	0501047756	1/2" X 3" SET PARTS		02

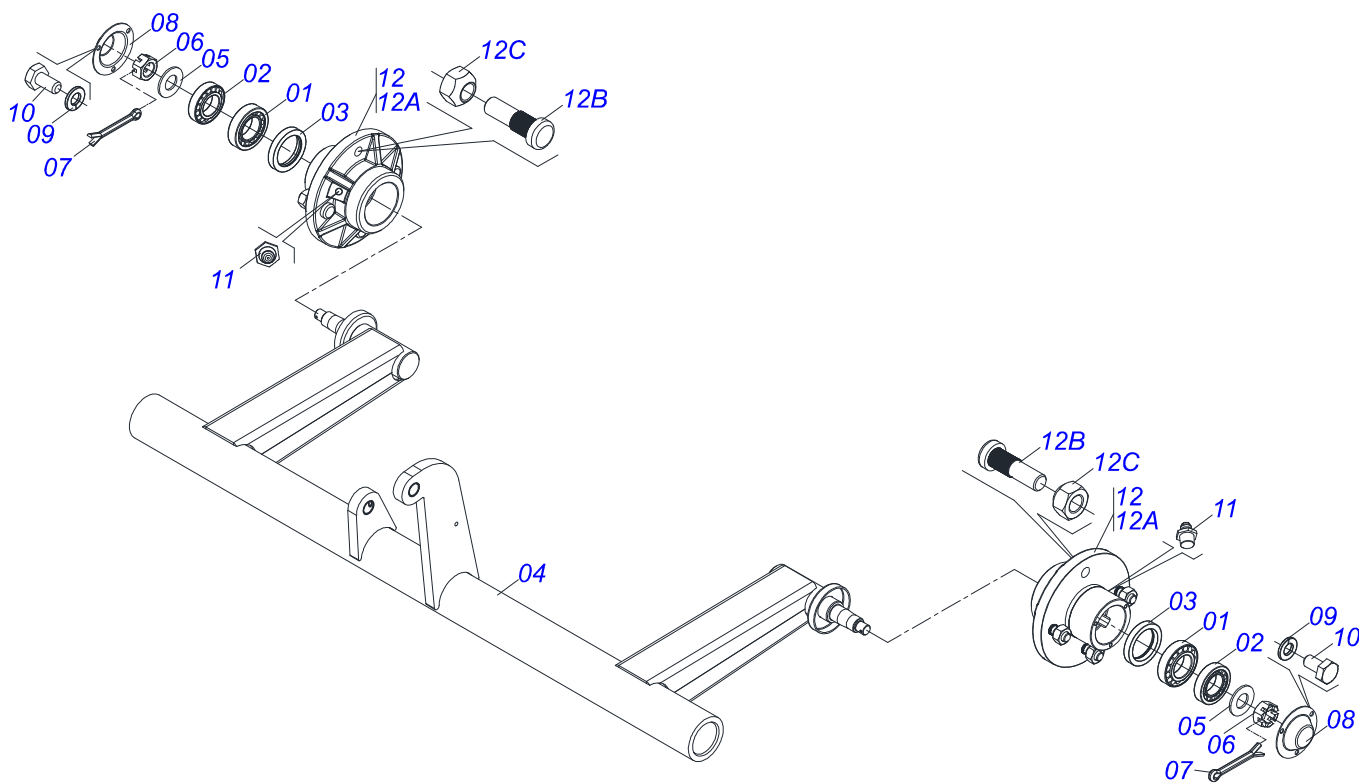


Item	Code	Description	See page	QT
01	0501110998	CARDAN TOP PROTECTION COVER	01	01
02	0581011777	BODY LOWER PROTECTION COAT	02	02
03	0501110997	LARGER SUPPORT COVER PROTECTION	06	06
04	0581012546	LUBRICATION AXIS TRANSMISSION	05	05
05	0503034247	ADHESIVE LABEL POINT LUBRICATION	05	05
06	0503010256	3/8" X 3/4" BOLT	10	10
07	0503010025	3/8" SPRING WASHER	34	34
08	0503010751	C3/8" X 1.1/4" HEX BOLT G.5	24	24
09	0501010984	FLAT WASHER	24	24
10	0501111001	CARDAN PROTECTION COVER	03	03
11	0581014012	LOWER BODY PROTECTION	03	03
12	0501110996	LOWER SUPPORT COVER PROTECTION WITH RIVET	04	04

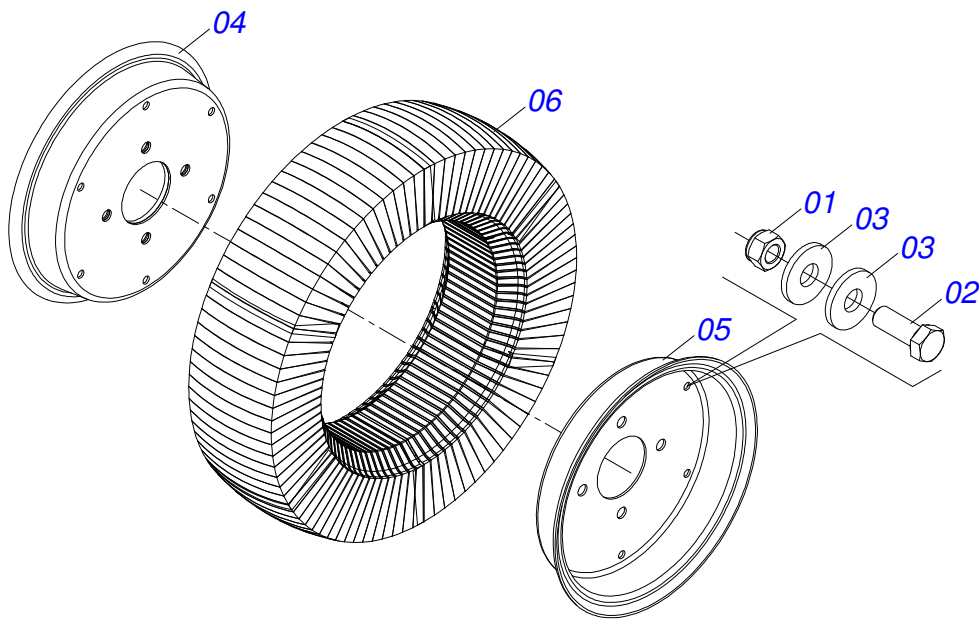




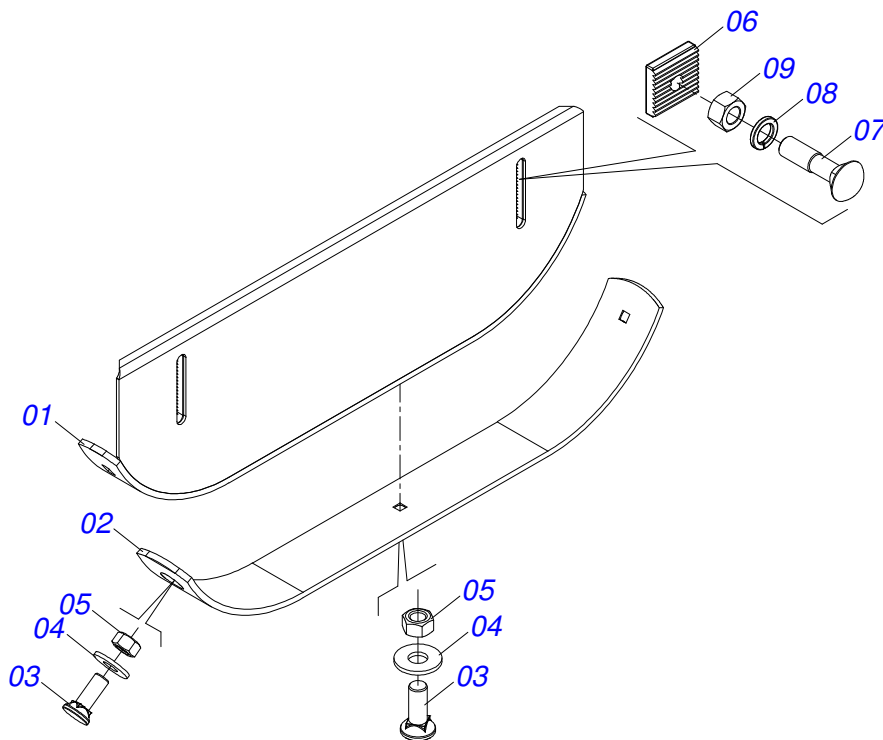
Item	Code	Description	See page	QT
01	051105573	WHEEL TRANSPORT WITH CUBE	22	01
02	0501043559	SEGMENTED WHEEL 525	23	02
03	0511060360	WHEELS RIGHT FIXER		01
04	0511060361	WHEELS LEFT FIXER		01
05	0503010002	1800 GREASE FITTING		02
06	0503010795	5/8" X 7" BOLT		06
07	0503010027	5/8" SPRING WASHER		06
08	0503010013	5/8" NUT		06



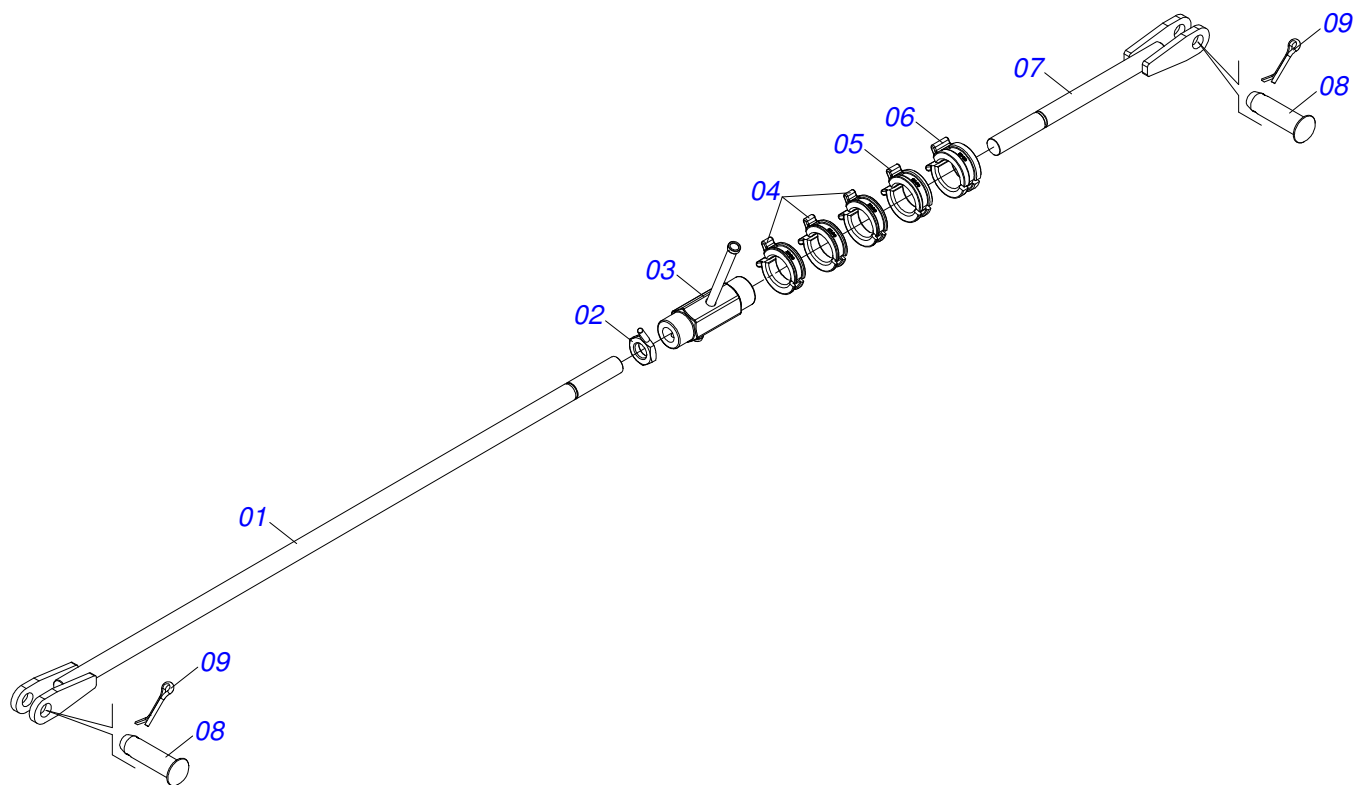
Item	Code	Description	See page	QT
001	0503010016	BEARING LM		02
002	0503010022	BEARING LM		02
003	0503010278	SEAL		02
004	0521064971	CARRYING-WHEELS		01
005	0501010076	FLAT WASHER		02
006	0503030010	7/8" CASTLE NUT		02
007	0503010018	5/32 X 1-1/2 COTTERPIN		02
008	0521010388	PROTECTIVE COVER		02
009	0503011441	SPRING WASHER		06
010	0503013758	1/4" X 1-1/2" BOLT		06
011	0503010002	1800 GREASE FITTING		02
012	0501110746	CARRYING WHEEL HUB		02
012A	0502020605	CARRYING WHEEL HUB		01
012B	0501010127	9/16" X 1-7/8" LUG BOLT		04
012C	0503010035	9/16" CONIC NUT		04



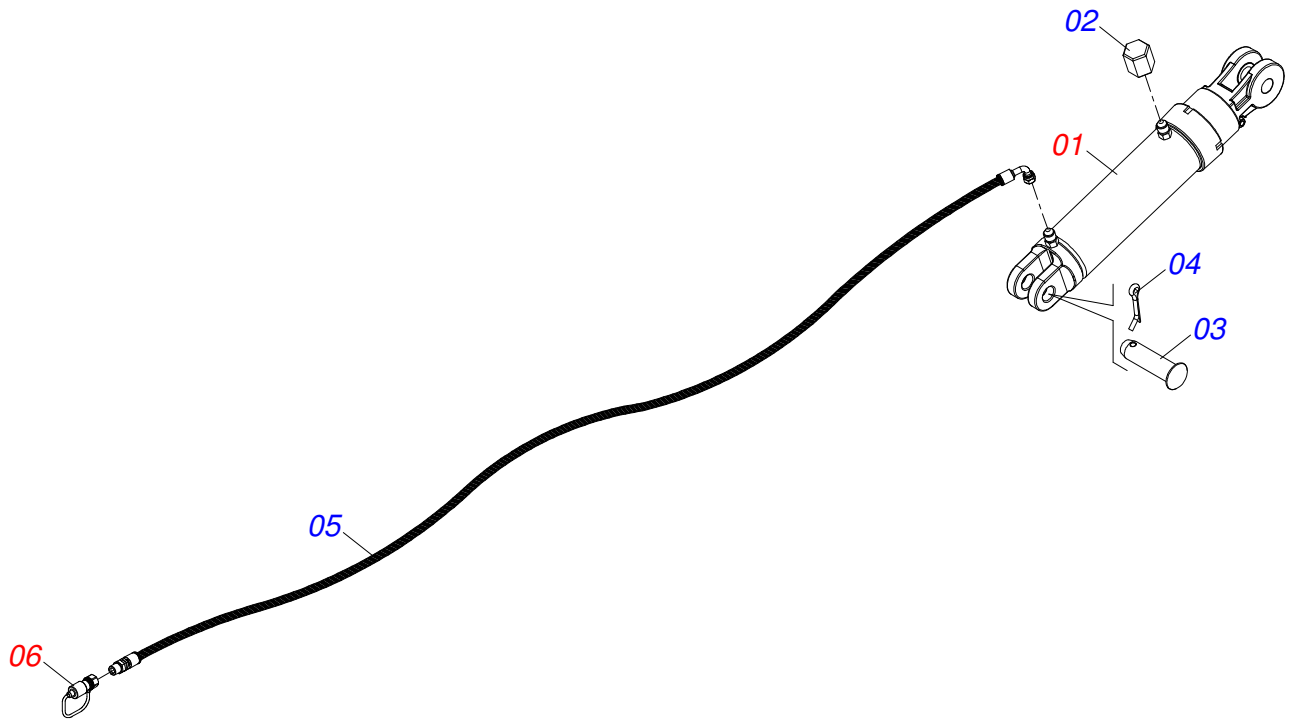
Item	Code	Description	See page	QT
01	0503013357	3/8" SELF-ADJUSTING NUT		06
02	0503010237	3/8" X 1" BOLT		06
03	0501010984	FLAT WASHER		12
04	0501069093	RIM FLANGE		01
05	0521010829	RIM FLANGE		01
06	0501110168	WHEEL SEGMENT BODY		01



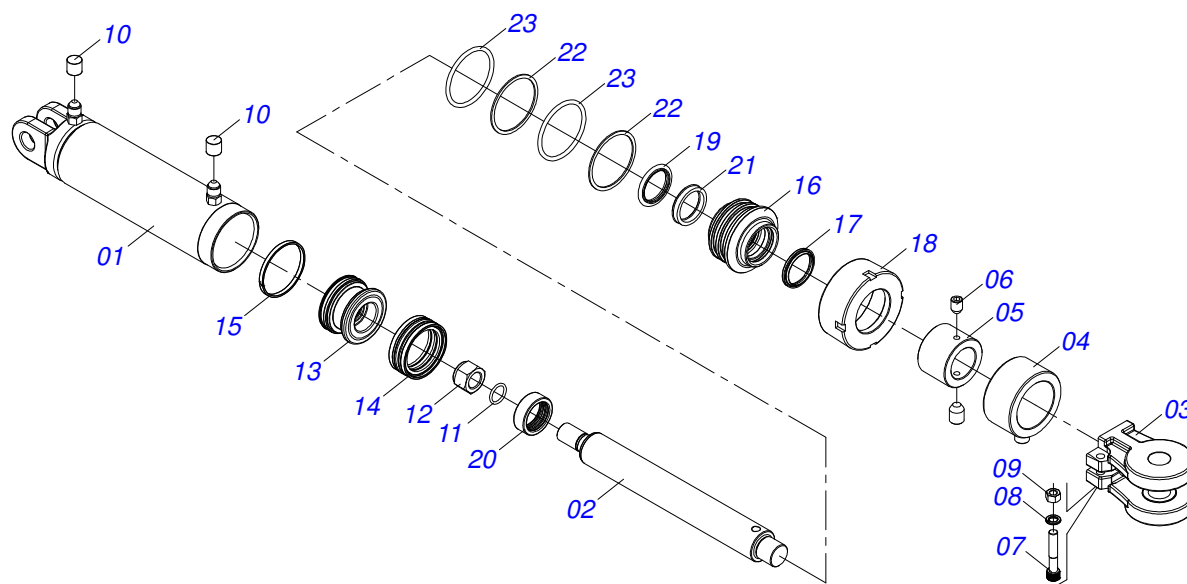
Item	Code	Description	See page	QT
01	0511064761	930 LEFT SKID		02
02	0531019436	SKID GUIDE		02
03	0503012956	1/2" X 1-1/2" BOLT		06
04	0511017302	FLAT WASHER		06
05	0503012682	1/2" BSW NUT		06
06	0502010083	SQUARE WASHER		04
07	0501014177	5/8" X 2-1/2" BOLT		04
08	0503010027	5/8" SPRING WASHER		04
09	0503010013	5/8" NUT		04



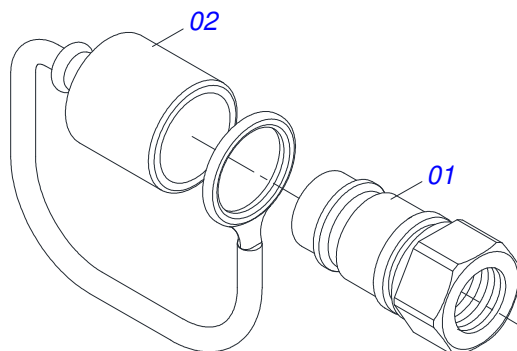
Item	Code	Description	See page	QT
01	0521064972	ROD STABILIZER		01
02	0501064974	LOCKNUT WITH HANDLER		01
03	0521064756	ADJUSTING NUT		01
04	0501047895	ROD STOP		03
05	0501047885	ROD STOP		01
06	0501047887	ROD STOP		01
07	0521064973	ROD STABILIZER		01
08	0521010575	C0.9" X 3.3" COUPLING SHAFT		02
09	0503010571	1/4" X 1.1/2 COTTERPIN		02



Item	Code	Description	See page	QT
01	0511058441	HYDRAULIC CYLINDER 44,45 X 85,70 X 540 X 179	27	01
02	0511017628	BREATHING HOLE OF THE CYLINDER HIDR		01
03	0521010575	C0.9" X 3.3" COUPLING SHAFT		01
04	0503010571	1/4" X 1.1/2" COTTERPIN		01
05	0501080365	HOSE 3/8 X 3500 TC-TM		01
06	0501053834	MALE QUICK COUPLER WITH CAP - 1/2 NPT	28	01



Item	Code	Description	See page	QT
01	0501064255	2.4" X 8" CYLINDER CASE		01
02	0521014292	1.7" X 15" TURNBUCLE WITH HOLES		01
03	0502040493	CLEVIS 26,50 R41		01
04	0511060370	CARRY-W REG OUTER BODY ASSY		01
05	0521014003	REG INNER BODY OF THE CARRY-WHEEL		01
06	0503011148	3/8" X 1/2" BOLT		02
07	0503011094	3/8" X 2" BOLT		01
08	0503010025	3/8" SPRING WASHER		01
09	0503010026	3/8" NUT		01
10	0503030385	CYLINDER PLUG N-002		02
11	0503010042	2-214 N 3006-9B O'RING		01
12	0503010063	1" SELF-ALIGNING NUT		01
13	0571019710	1.7" X 3.4" PISTON		01
14	0503017935	RING		01
15	0503018144	RING		01
16	0571019711	RING SUPPORT		01
17	0503010761	D-1750 SCRAPER RING		01
18	0571019709	DETACHABLE COVER		01
19	0503017936	RING		01
20	0503017938	RING GUIDE		01
21	0503017937	GASKET		01
22	0503017940	8-337 BACK-UP RING		02
23	0503017939	2-337 N 3006-9B O' RING		02
24	0501031796	HYDRAULIC CYLINDER REPAIR KIT		



Item	Code	Description	See page	QT
01	0503011627	MALE QUICK COUPLER AGR 1/2 NPT		01
02	0503011882	MALE QUICK COUPLER CAP		01







[www.marchesan.com.br](http://www.marchesan.com.br)



**Technical Publications | Elaboration and Revision**  
ALESSANDRA PATRICIA KAWAHARA CARRILI