

# PARTS CATALOGUE



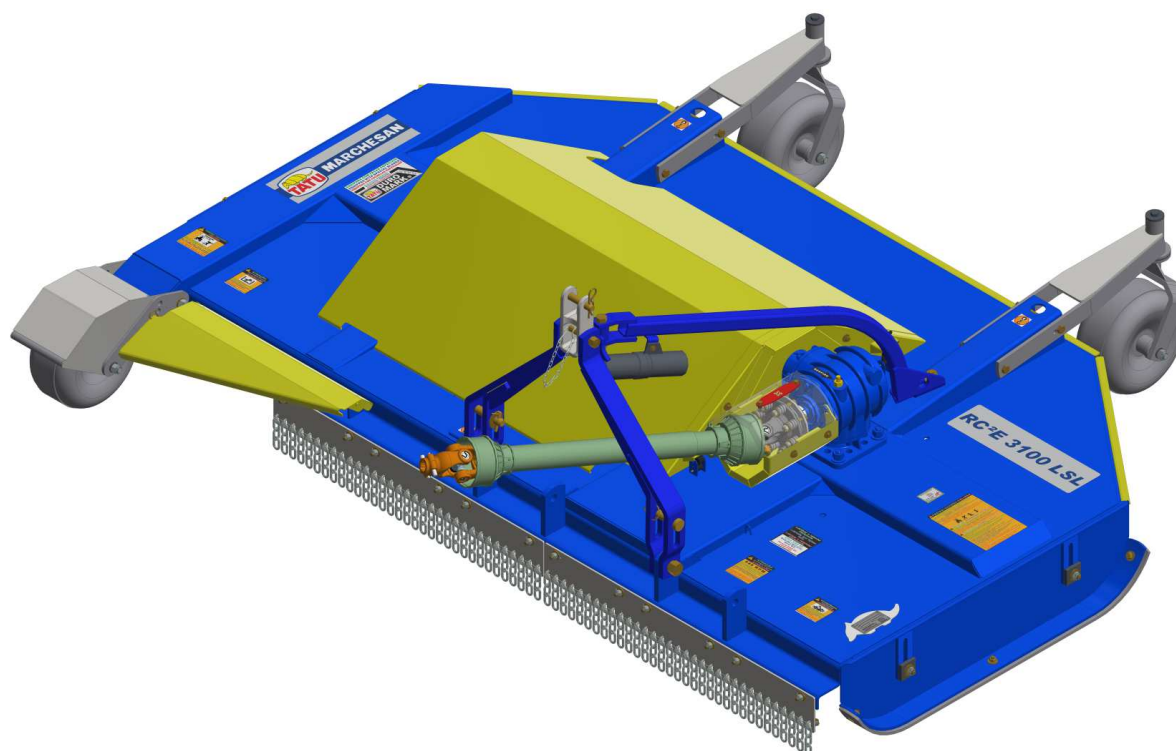
## ROTARY CUTTERS

**Code:**

0501092802

**Product:**

RC2E 3100 LSL



**Series:**

S-0516

**Revision:**

00

**Date Revision:**

AGOSTO/2020



# PRODUCTS

| Code       | Description                      |
|------------|----------------------------------|
| 0104120083 | RC2 E 3100 LSL C/R C/PROT S-0516 |

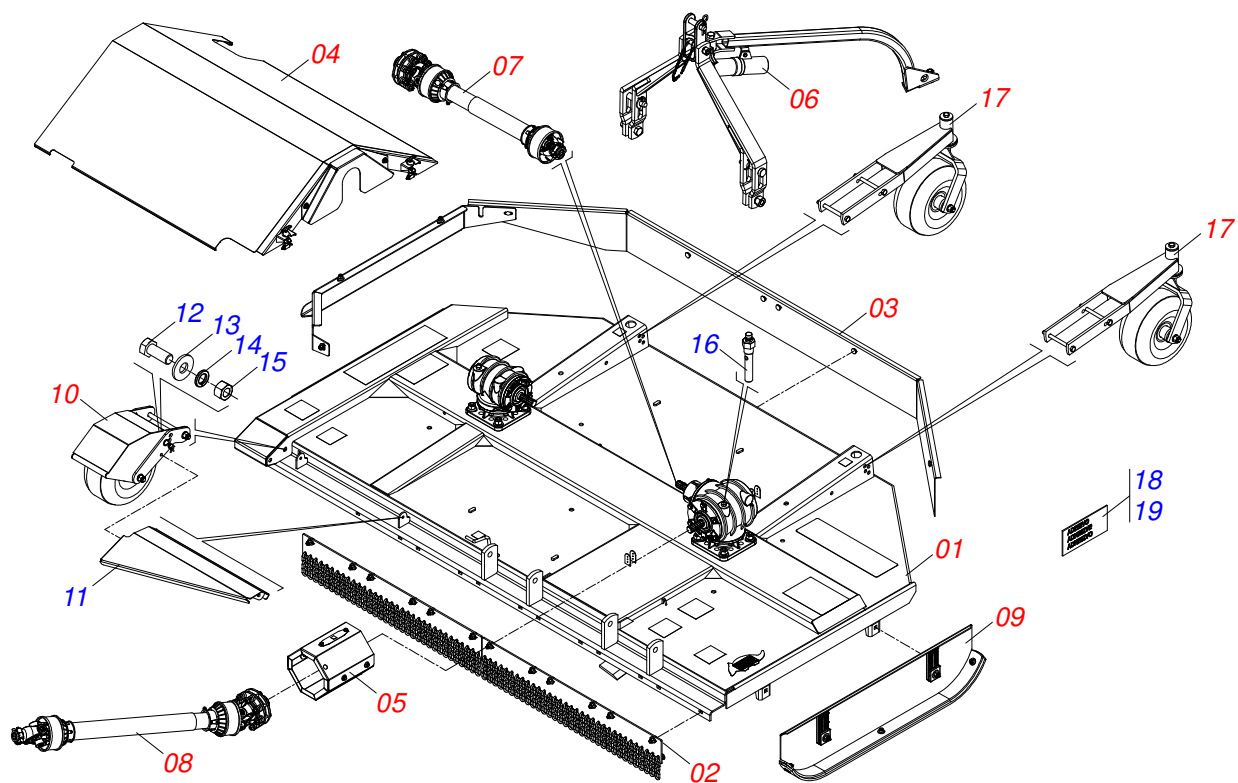
## ATTENTION: IMPORTANT

Marchesan S.A. reserves the right to improve and / or modify the technical features of its products, without obligation to do the same with those products already sold and without prior knowledge of the dealer or the consumer.

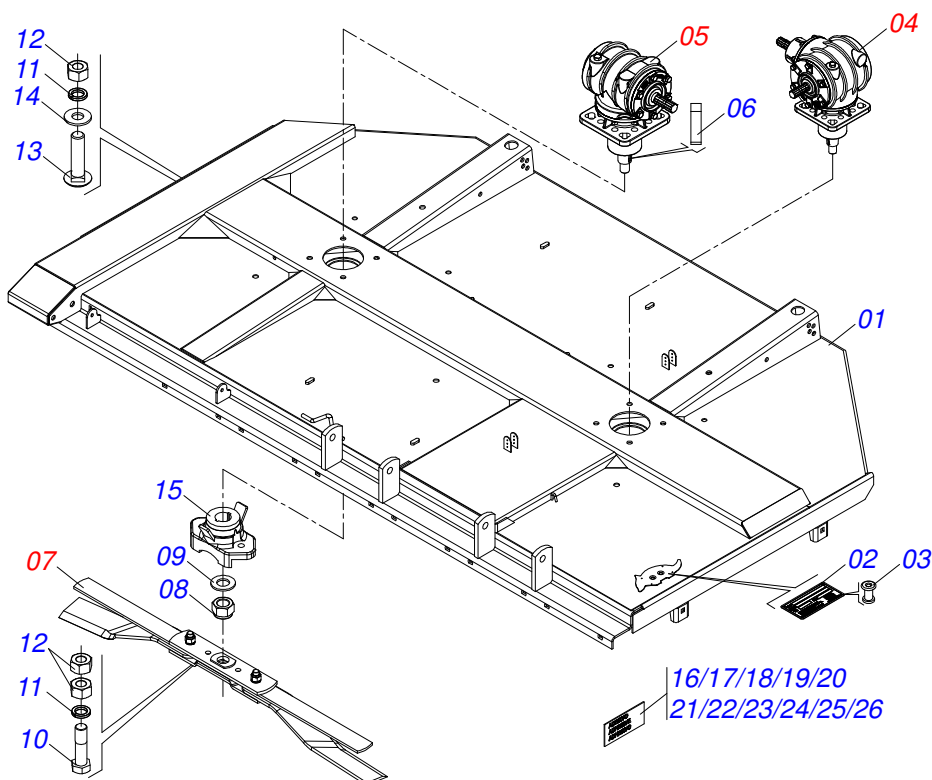


# INDEX

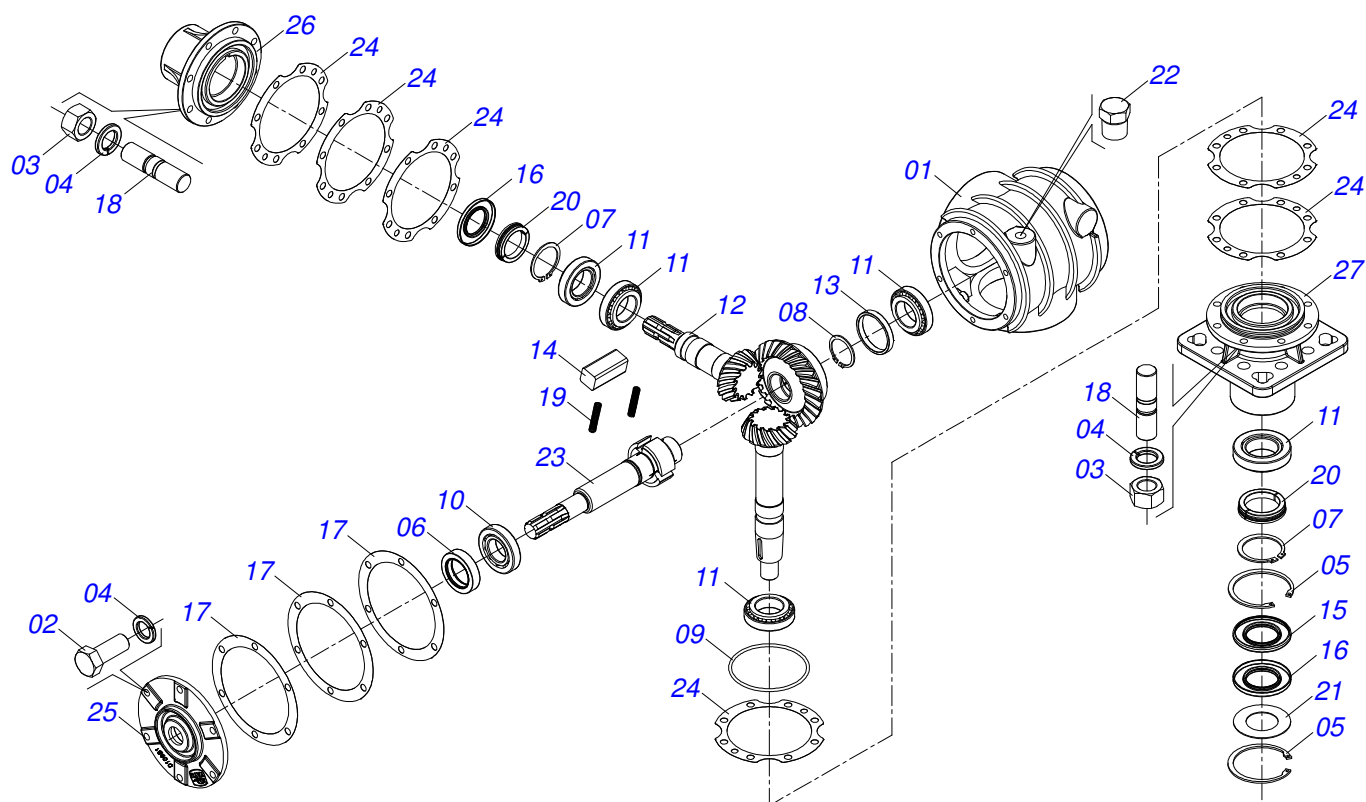
|            |  |       |    |
|------------|--|-------|----|
| 0909099203 | FRAME ASSY                             | ..... | 1  |
| 0521055542 | SEMI-ASSEMBLED FRAME                   | ..... | 2  |
| 0501047684 | DISTRIBUTOR MULTIPLIER                 | ..... | 3  |
| 0511040882 | SPEED TRANSMISSION                     | ..... | 4  |
| 0501056328 | 340 SUPPORT WITH LEFT ROCADOR          | ..... | 5  |
| 0521055541 | FRONT CURRENT PROTECTION               | ..... | 6  |
| 0909099204 | SIDE / REAR PROTECTION ASSY            | ..... | 7  |
| 0909099205 | PROTECTION COVER ASSY                  | ..... | 8  |
| 0909099206 | CARDAN PROTECTIVE COVERS ASSY          | ..... | 9  |
| 0909099207 | COMPLETE HEADER ASSY                   | ..... | 10 |
| 0521052977 | MANUAL CANISTER ASSY                   | ..... | 11 |
| 0511041996 | DRIVE SHAFT                            | ..... | 12 |
| 0501045426 | DRIVE SHAFT                            | ..... | 13 |
| 0909099208 | SKATE ASSEMBLY                         | ..... | 14 |
| 0511044473 | FRONT WHEEL RIGHT WITH ASSY PROTECTION | ..... | 15 |
| 0521044739 | CARRYING WHEELS ASSY                   | ..... | 16 |



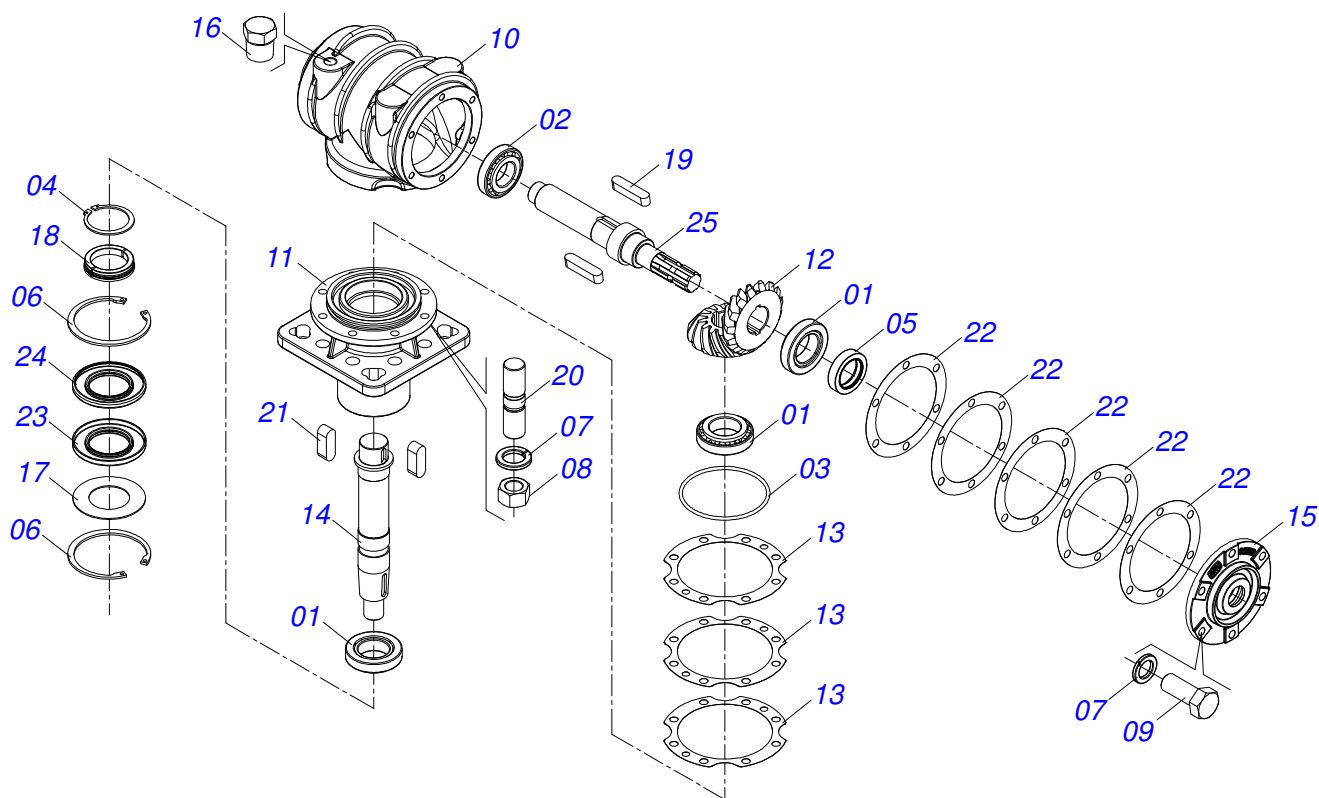
| Item | Code       | Description                            | See page | QT |
|------|------------|--|----------|----|
| 01   | 052105542  | SEMI-ASSEMBLED FRAME                   | 2        | 01 |
| 02   | 052105541  | FRONT CURRENT PROTECTION               | 6        | 02 |
| 03   | 0909099204 | SIDE / REAR PROTECTION ASSY            | 7        | 01 |
| 04   | 0909099205 | PROTECTION COVER ASSY                  | 8        | 01 |
| 05   | 0909099206 | CARDAN PROTECTIVE COVERS ASSY          | 9        | 01 |
| 06   | 0909099207 | COMPLETE HEADER ASSY                   | 10       | 01 |
| 07   | 0511041996 | DRIVE SHAFT                            | 12       | 01 |
| 08   | 0501045426 | DRIVE SHAFT                            | 13       | 01 |
| 09   | 0909099208 | SKATE ASSEMBLY                         | 14       | 01 |
| 10   | 0511044473 | FRONT WHEEL RIGHT WITH ASSY PROTECTION | 15       | 01 |
| 11   | 0511065814 | FRONT PROTETION COVER                  |          | 01 |
| 12   | 0503010395 | 1/2" X 1-1/4" BOLT                     |          | 01 |
| 13   | 0511017302 | FLAT WASHER                            |          | 01 |
| 14   | 0503010019 | 1/2" SPRING WASHER                     |          | 01 |
| 15   | 0503010060 | 1/2" NUT                               |          | 01 |
| 16   | 0501110186 | OIL SMALLER LEVEL INDICATOR            |          | 02 |
| 17   | 0521044739 | CARRYING WHEELS ASSY                   | 16       | 02 |
| 18   | 0503031087 | ADHESIVE LABEL                         |          | 01 |
| 19   | 0503031127 | ADHESIVE LABEL                         |          | 02 |



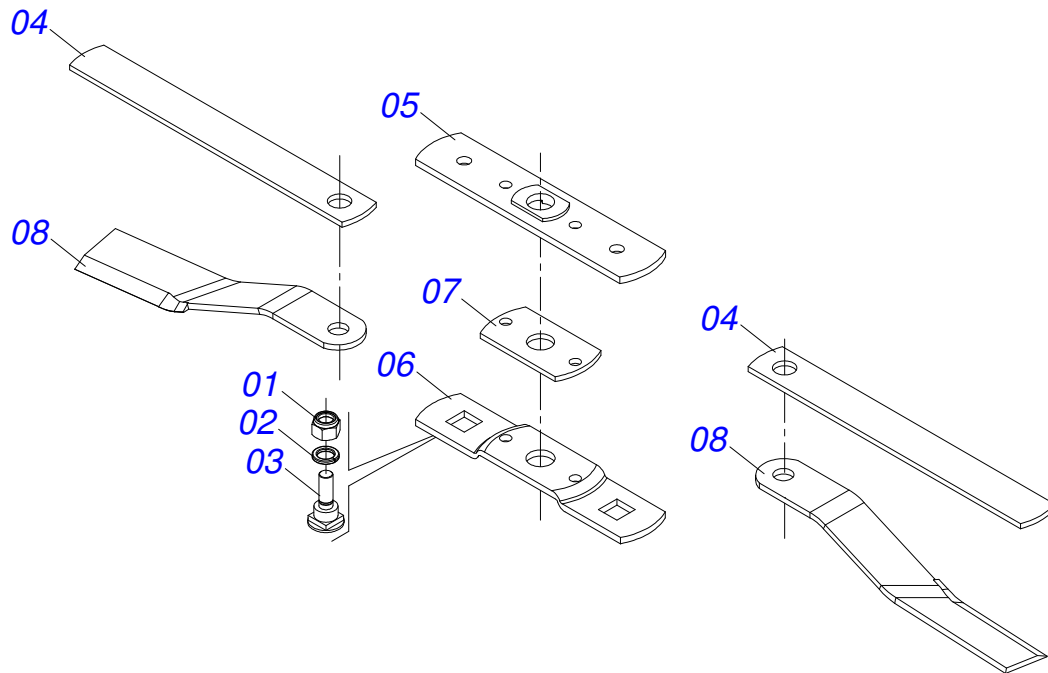
| Item | Code       | Description                       | See page | QT |
|------|------------|-----------------------------------|----------|----|
| 01   | 0521069398 | FRAME                             |          | 01 |
| 02   | 0503034003 | SERIAL NUMBER TAG 61 X 118        |          | 01 |
| 03   | 0503010001 | 3.2 X 5.5 RIVET                   |          | 04 |
| 04   | 0501047684 | DISTRIBUTOR MULTIPLIER            | 3        | 01 |
| 05   | 0511040882 | SPEED TRANSMISSION                | 4        | 01 |
| 06   | 0501010536 | KEYWAY SQUARE                     |          | 04 |
| 07   | 0501056328 | 340 SUPPORT WITH LEFT ROGADOR     | 5        | 02 |
| 08   | 0503010817 | 1.1/4" SELF LOCKING NUT           |          | 02 |
| 09   | 0501017779 | 32 X 60 X 4.75 FLAT WASHER        |          | 02 |
| 10   | 0503011328 | 3/4" X 4" BOLT                    |          | 04 |
| 11   | 0503011442 | 3/4" SPRING WASHER                |          | 12 |
| 12   | 0503010014 | 3/4" NUT                          |          | 16 |
| 13   | 0503017867 | SCREW 3/4 UNC X 4.1/2 CAPQ G.7 ZN |          | 08 |
| 14   | 0501010322 | FLAT WASHER                       |          | 08 |
| 15   | 0502012453 | SUPPORT FLANGE                    |          | 02 |
| 16   | 0503034333 | ADHESIVE LABEL                    |          | 01 |
| 17   | 0503034078 | LIFTING POINTS DECAL              |          | 03 |
| 18   | 0503032949 | ADHESIVE LABEL                    |          | 01 |
| 19   | 0503032535 | LABEL ADHESIVE CARDAN SIDE        |          | 01 |
| 20   | 0503032060 | ADHESIVE LABEL                    |          | 01 |
| 21   | 0503031932 | ADHESIVE LABEL                    |          | 01 |
| 22   | 0503031930 | ADHESIVE LABEL                    |          | 01 |
| 23   | 0503031929 | ADHESIVE LABEL                    |          | 01 |
| 24   | 0503031428 | READ MANUAL DECAL                 |          | 01 |
| 25   | 0503031427 | ADHESIVE LABEL                    |          | 01 |
| 26   | 0503034435 | ADHESIVE LABEL                    |          | 01 |



| Item | Code       | Description                         | See page | QT |
|------|------------|-------------------------------------|----------|----|
| 01   | 0502011171 | MULTIPLIER BOX                      | 01       | 01 |
| 02   | 0503010395 | 1/2" X 1-1/4" BOLT                  | 06       | 06 |
| 03   | 0503010028 | 1/2" NUT                            | 16       | 16 |
| 04   | 0503011440 | SPRING WASHER                       | 22       | 22 |
| 05   | 0503011190 | SEAL RING                           | 02       | 02 |
| 06   | 0503011171 | 00912-BRG SEAL                      | 01       | 01 |
| 07   | 0503010396 | 501060 CLAMPING RING (FOR AXLE)     | 02       | 02 |
| 08   | 0503010372 | 501050 CLAMPING RING (FOR AXLE)     | 01       | 01 |
| 09   | 0503010286 | 2-355 N 3006-9B O'RING              | 01       | 01 |
| 10   | 0503010037 | 30207 ROLLER BEARING                | 01       | 01 |
| 11   | 0503010006 | 32210 ROLLER BEARING                | 05       | 05 |
| 12   | 0503060216 | CROWN PINION SET                    | 01       | 01 |
| 13   | 0571013096 | FLAT WASHER Ø63.45 X Ø72.85 X 10    | 01       | 01 |
| 14   | 0501010649 | RATCHET CLICK                       | 03       | 03 |
| 15   | 0503011201 | 5089 SEAL WITH HOLE                 | 01       | 01 |
| 16   | 0503011047 | 5089 SEAL                           | 02       | 02 |
| 17   | 0503030784 | 8.5" X 6.7" X 0.01" JOINT           | 03       | 03 |
| 18   | 0503030084 | 1/2" X 1/2" X 2.0" STUD             | 16       | 16 |
| 19   | 0503030051 | 0.2" X 1" X 0.1" COMPRESSION SPRING | 06       | 06 |
| 20   | 0511010142 | LOCK RING                           | 02       | 02 |
| 21   | 0521018064 | FLAT WASHER                         | 01       | 01 |
| 22   | 0503031604 | 1/2" BSP PLUG                       | 01       | 01 |
| 23   | 0503050051 | UPPER AXLE                          | 01       | 01 |
| 24   | 0503030785 | 7.9" X 5.9" X 0.008" JOINT          | 06       | 06 |
| 25   | 0502010981 | LARGER COVER                        | 01       | 01 |
| 26   | 0502011997 | SIDE BOX                            | 01       | 01 |
| 27   | 0502011392 | HOUSING LOWER                       | 01       | 01 |
| 28   | 3402301247 | MINERAL OIL GREASE                  | 04       | 04 |

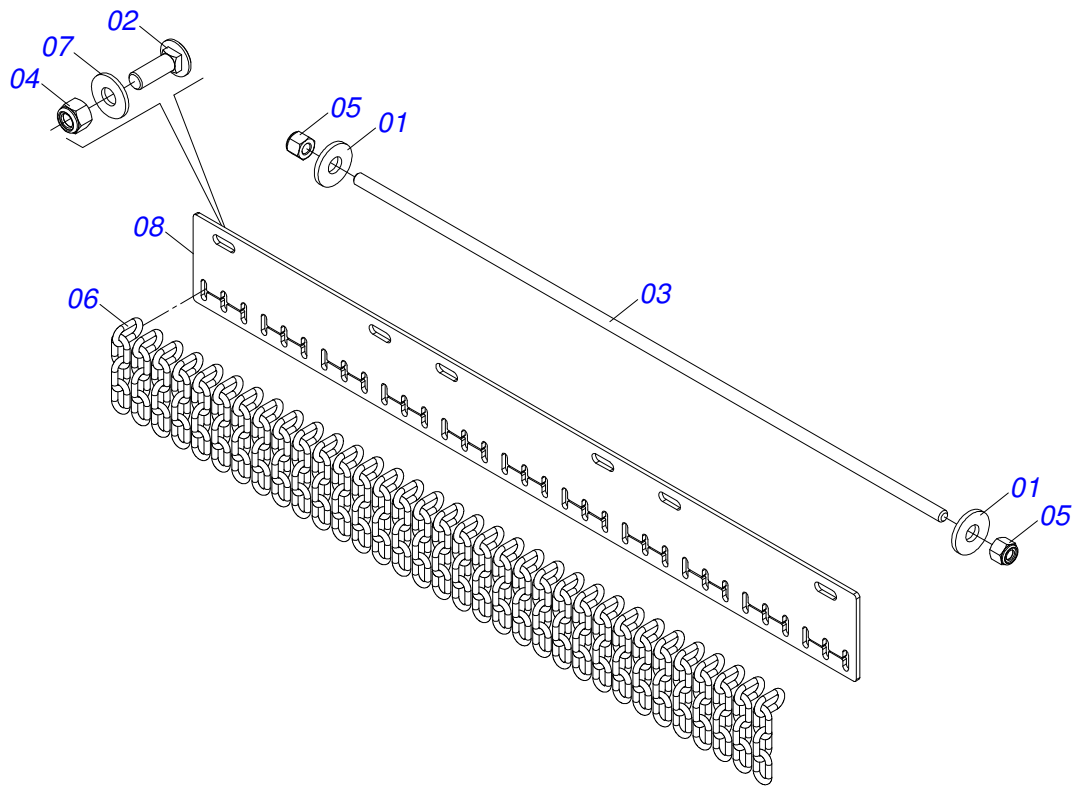


| Item | Code       | Description                             | See page | QT     |
|------|------------|---|----------|--------|
| 01   | 0503010006 | 32210 ROLLER BEARING                    |          | 03     |
| 02   | 0503010037 | 30207 ROLLER BEARING                    |          | 01     |
| 03   | 0503010286 | 2-355 N 3006-9B O'RING                  |          | 01     |
| 04   | 0503010396 | 501060 CLAMPING RING (FOR AXLE)         |          | 01     |
| 05   | 0503011171 | 00912-BRG SEAL                          |          | 01     |
| 06   | 0503011190 | SEAL RING                               |          | 02     |
| 07   | 0503011440 | SPRING WASHER                           |          | 14     |
| 08   | 0503810028 | NUT 1/2 NF SA                           |          | 08     |
| 09   | 0503810395 | SCREW 1/2 UNC X 1.1/4 CSRT G.5 SA       |          | 06     |
| 10   | 0502010984 | LEFT MULTIPLIER BOX                     |          | 01     |
| 11   | 0502011392 | HOUSING LOWER                           |          | 01     |
| 12   | 0503060249 | CONICAL GEAR SET FOR DOUBLE DISTRIBUTOR |          | 01     |
| 13   | 0503030785 | 7.9" X 5.9" X 0.008" JOINT              |          | 03     |
| 14   | 0503050048 | AXLE LOWER                              |          | 01     |
| 15   | 0502011152 | SMALLER COVER                           |          | 01     |
| 16   | 0503031604 | 1/2" BSP PLUG                           |          | 01     |
| 17   | 0521818064 | FLAT WASHER                             |          | 01     |
| 18   | 0511010142 | LOCK RING                               |          | 01     |
| 19   | 0501010536 | KEYWAY SQUARE                           |          | 02     |
| 20   | 0503830084 | PRISONER 1/2 UNC X 1/2 UNF X 50 SA      |          | 08     |
| 21   | 0501012993 | 0.4" X 1.1"KEYWAY SQUARE                |          | 02     |
| 22   | 0503030783 | 7.1" X 5.3" X 0.008" JOINT              |          | 05     |
| 23   | 0503011047 | 5089 SEAL                               |          | 01     |
| 24   | 0503011201 | 5089 SEAL WITH HOLE                     |          | 01     |
| 25   | 0503050067 | UPPER AXLE                              |          | 01     |
| 26   | 3402301247 | MINERAL OIL GREASE                      |          | 3,4Lts |

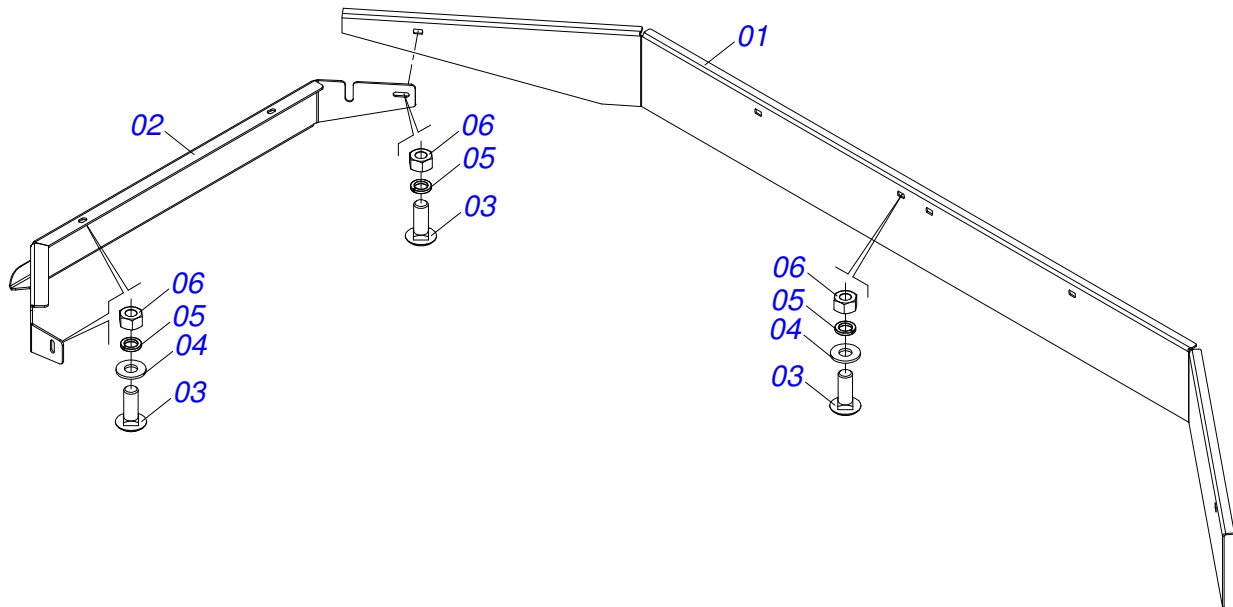


| Item | Code       | Description               | See page | QT |
|------|------------|---------------------------|----------|----|
| 01   | 0503010812 | 7/8" UNF SELF LOCKING NUT |          | 02 |
| 02   | 0503011447 | SPRING WASHER             |          | 02 |
| 03   | 0531014512 | FASTERNER ROCADORES       |          | 02 |
| 04   | 0531015055 | 620 FOLLOWER              |          | 02 |
| 05   | 0561017308 | SUPPORT UPPER BASE        |          | 01 |
| 06   | 0561017368 | ROTARY LOWER SUPPORT      |          | 01 |
| 07   | 0561017309 | ROCADORES SUPPORT CHOCK   |          | 01 |
| 08   | 0622400075 | ROTARY CUTTER             |          | 02 |

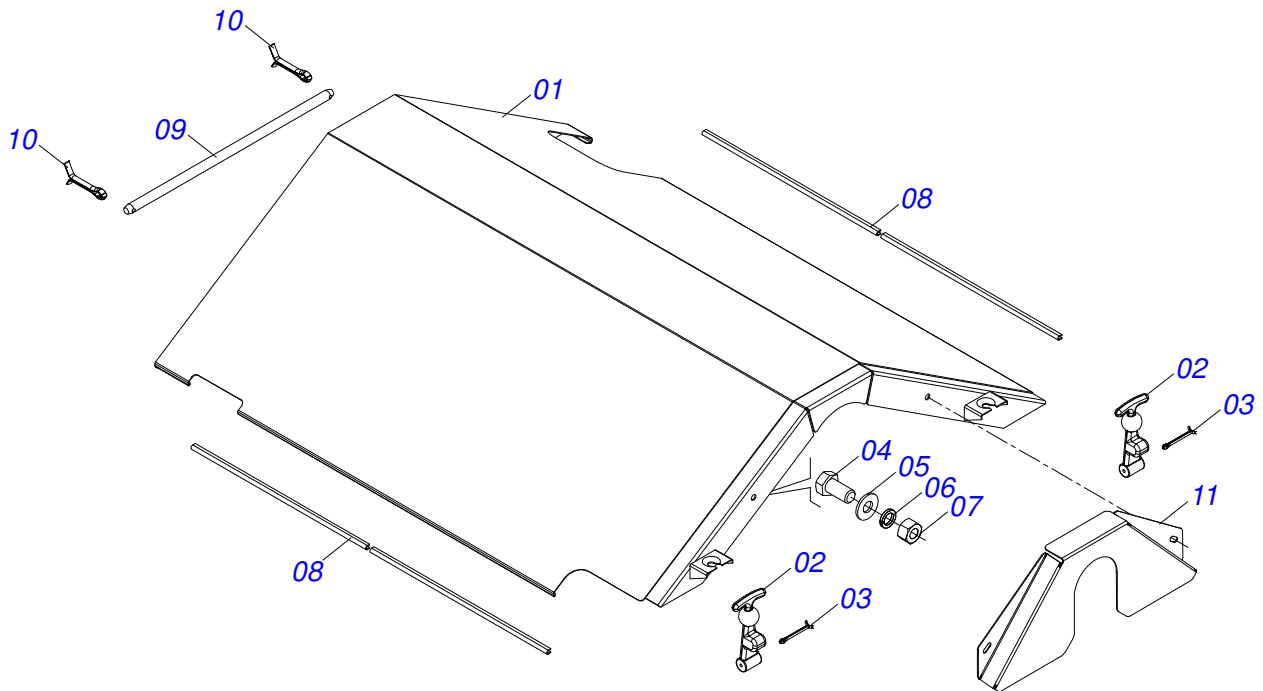




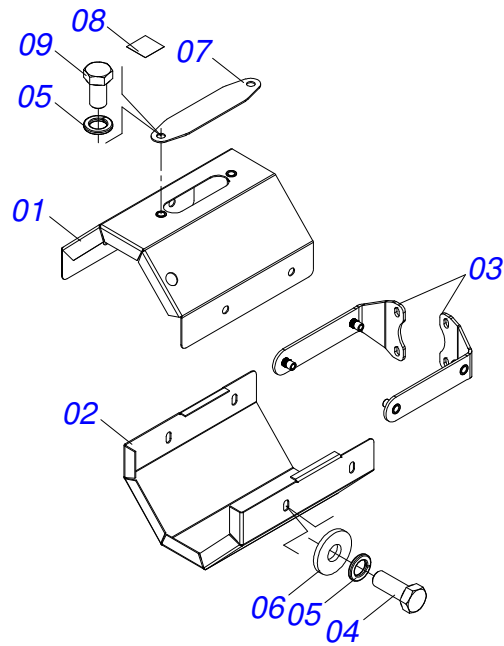
| Item | Code       | Description             | See page | QT |
|------|------------|-------------------------|----------|----|
| 01   | 0501010984 | FLAT WASHER             |          | 02 |
| 02   | 0501011600 | 1/2" X 1-1/4" BOLT      |          | 06 |
| 03   | 0581018887 | ROD PROTECTION CURRENT  |          | 01 |
| 04   | 0503012682 | 1/2" BSW NUT            |          | 06 |
| 05   | 0503013759 | NUT                     |          | 02 |
| 06   | 0511011774 | 8,00 CHAIN 4 LINK       |          | 33 |
| 07   | 0511017302 | FLAT WASHER             |          | 06 |
| 08   | 0581018886 | BODY CURRENT PROTECTION |          | 01 |



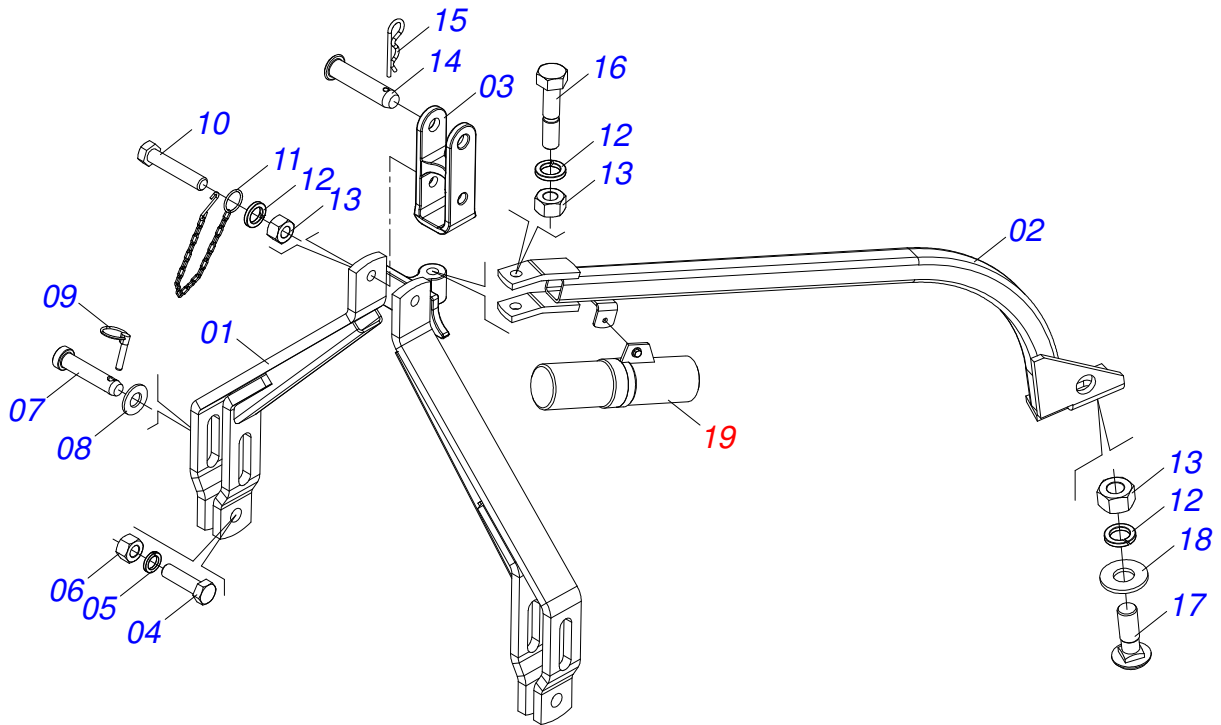
| Item | Code       | Description        | See page | QT |
|------|------------|--------------------|----------|----|
| 01   | 0581018885 | REAR PROTECTION    |          | 01 |
| 02   | 0591010087 | SIDE PROTECTION    |          | 01 |
| 03   | 0501011600 | 1/2" X 1-1/4" BOLT |          | 09 |
| 04   | 0511017302 | FLAT WASHER        |          | 08 |
| 05   | 0503010019 | 1/2" SPRING WASHER |          | 09 |
| 06   | 0503012682 | 1/2" BSW NUT       |          | 09 |



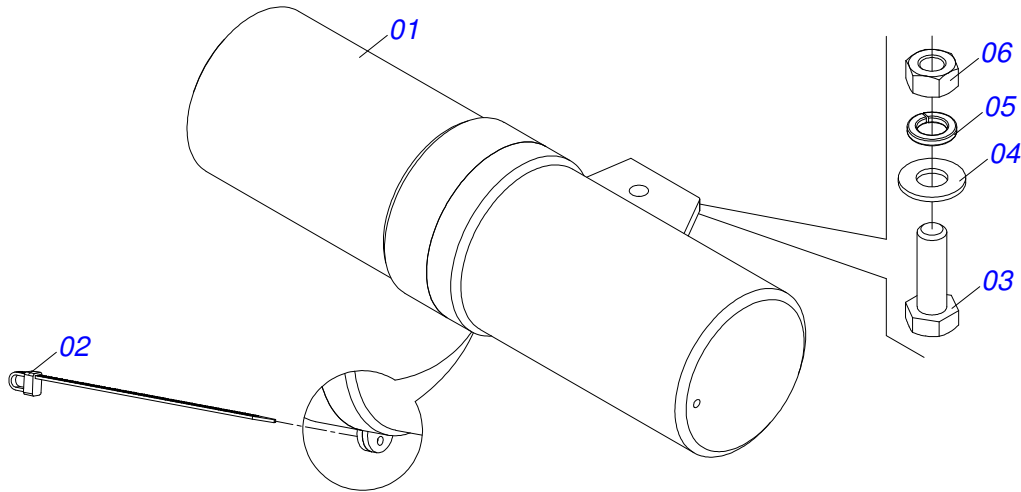
| Item | Code       | Description                 | See page | QT |
|------|------------|-----------------------------|----------|----|
| 01   | 0521069400 | PROTECTION COVER            |          | 01 |
| 02   | 0503011333 | COVER FIXER                 |          | 02 |
| 03   | 0503010274 | 5/32"X 2" COTTERPIN         |          | 02 |
| 04   | 0503010256 | 3/8" X 3/4" BOLT            |          | 02 |
| 05   | 0501010984 | FLAT WASHER                 |          | 02 |
| 06   | 0503010025 | 3/8" SPRING WASHER          |          | 02 |
| 07   | 0503010026 | 3/8" NUT                    |          | 02 |
| 08   | 0591012190 | GARRISON PROTECTION COVER   |          | 02 |
| 09   | 0521011670 | AXLE WITH PROTECTION        |          | 01 |
| 10   | 0503010300 | 5/32" X 1" COTTERPIN        |          | 02 |
| 11   | 0581013608 | COMPLEMENT COVER PROTECTION |          | 01 |



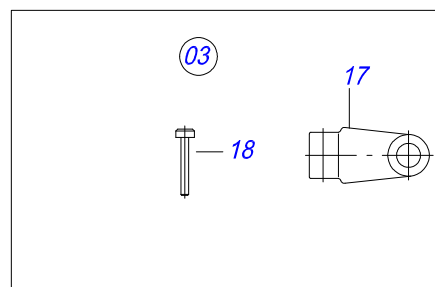
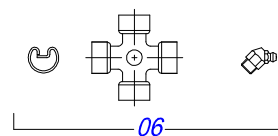
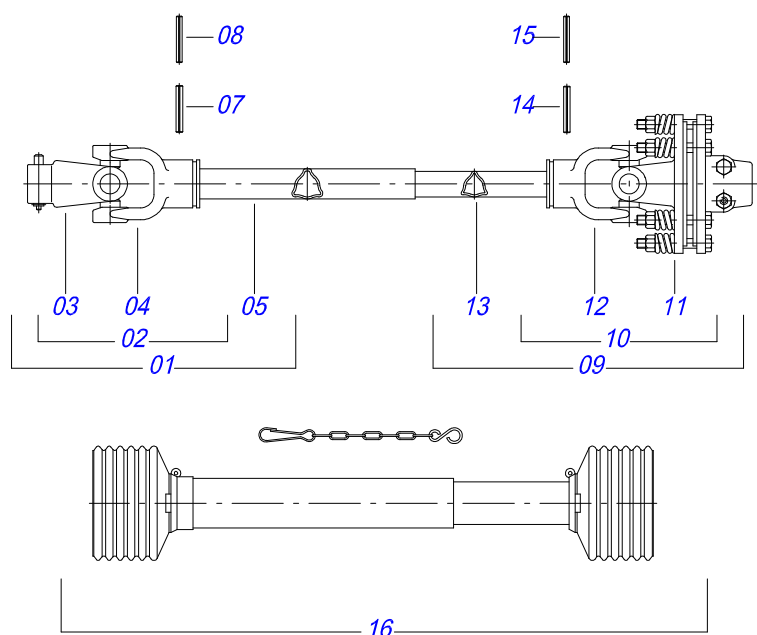
| Item | Code       | Description                               | See page | QT |
|------|------------|---|----------|----|
| 01   | 0501111018 | CARDAN TOP PROTECTION COVER               |          | 01 |
| 02   | 0581012533 | CARDAN LOWER PROTECTION COVER             |          | 01 |
| 03   | 0501110996 | LOWER SUPPORT COVER PROTECTION WITH RIVET |          | 02 |
| 04   | 0503010751 | C3/8" X 1.1/4" HEX BOLT G.5               |          | 04 |
| 05   | 0503010025 | 3/8" SPRING WASHER                        |          | 06 |
| 06   | 0501010984 | FLAT WASHER                               |          | 04 |
| 07   | 0581012546 | LUBRICATION AXIS TRANSMISSION             |          | 01 |
| 08   | 0503034247 | ADHESIVE LABEL POINT LUBRICATION          |          | 01 |
| 09   | 0503010256 | 3/8" X 3/4" BOLT                          |          | 02 |



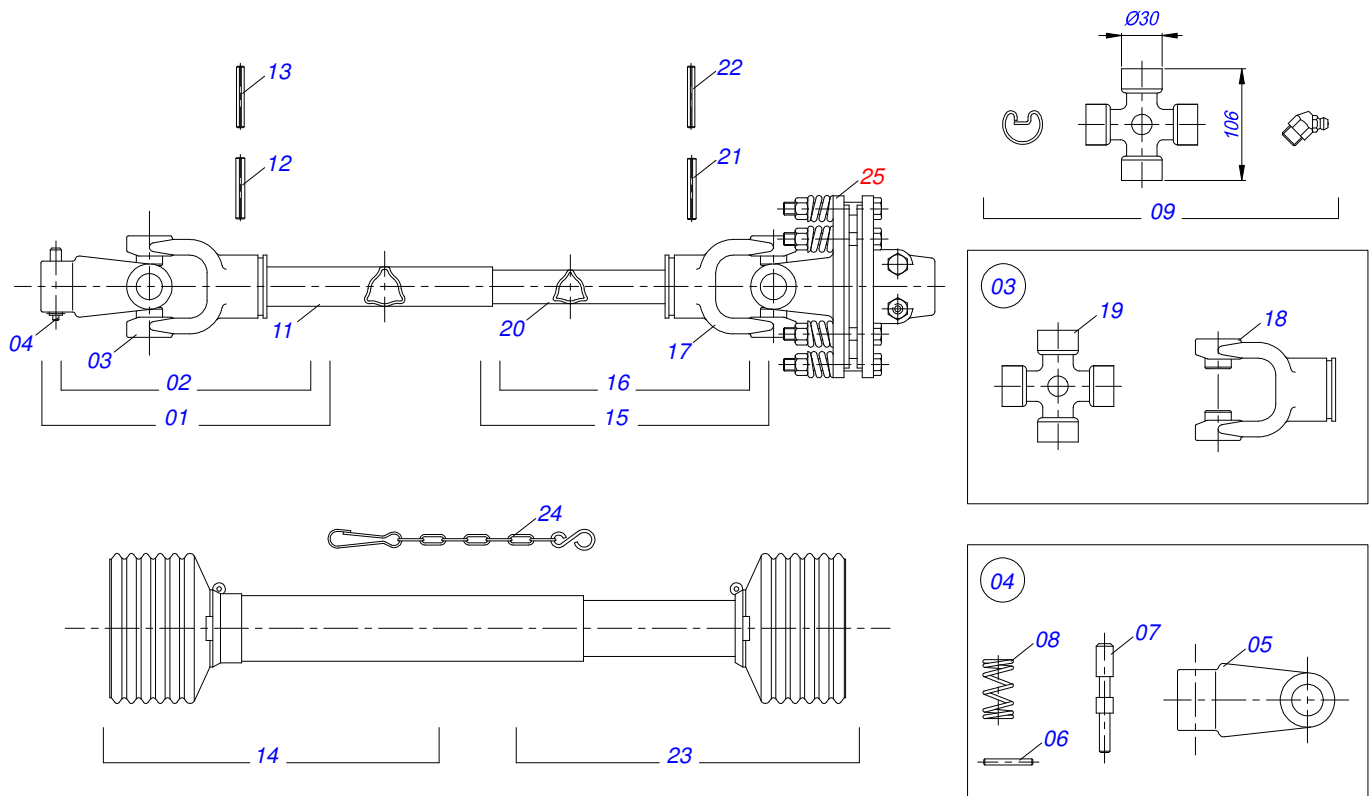
| Item | Code       | Description                | See page | QT |
|------|------------|----------------------------|----------|----|
| 01   | 0511062006 | DRAWBAR                    |          | 01 |
| 02   | 0501067540 | FRENCH HAND                |          | 01 |
| 03   | 0502040922 | HEADER SUPPLEMENT          |          | 01 |
| 04   | 0503011432 | BOLT                       |          | 02 |
| 05   | 0503010012 | 1" SPRING WASHER           |          | 02 |
| 06   | 0501010059 | 1.5/8 NUT                  |          | 02 |
| 07   | 0521010629 | 1.1" X 5.1" COUPLING SHAFT |          | 02 |
| 08   | 0501010065 | 1" SPRING WASHER           |          | 02 |
| 09   | 0503030430 | 7/16 X 2" PIN LOCK         |          | 02 |
| 10   | 0503011198 | C3/4" X 6" SCREW           |          | 01 |
| 11   | 0503011981 | 17.7" CHAIN WITH HOOK/LINK |          | 01 |
| 12   | 0503010023 | 3/4" SPRING WASHER         |          | 03 |
| 13   | 0503010014 | 3/4" NUT                   |          | 03 |
| 14   | 0521010578 | COUPLING SHAFT             |          | 01 |
| 15   | 0503031035 | HAIR PIN                   |          | 01 |
| 16   | 0501010216 | 3/4" X 4-1/2" BOLT         |          | 01 |
| 17   | 0501017305 | 3/4" X 2-1/4" BOLT         |          | 01 |
| 18   | 0501010322 | FLAT WASHER                |          | 01 |
| 19   | 0521052977 | MANUAL CANISTER ASSY       | 11       | 01 |



| Item | Code       | Description                    | See page | QT |
|------|------------|--------------------------------|----------|----|
| 01   | 0503060100 | OPERATOR'S MANUAL STORAGE TUBE |          | 01 |
| 02   | 0503010267 | NYLON CLAMP                    |          | 01 |
| 03   | 0503010363 | 5/16" X 1" BOLT                |          | 01 |
| 04   | 0501010694 | 8.5 X 18 X 1.5 FLAT WASHER     |          | 01 |
| 05   | 0503010179 | 5/16" ZN SPRING WASHER         |          | 01 |
| 06   | 0503010337 | 5/16" NUT                      |          | 01 |

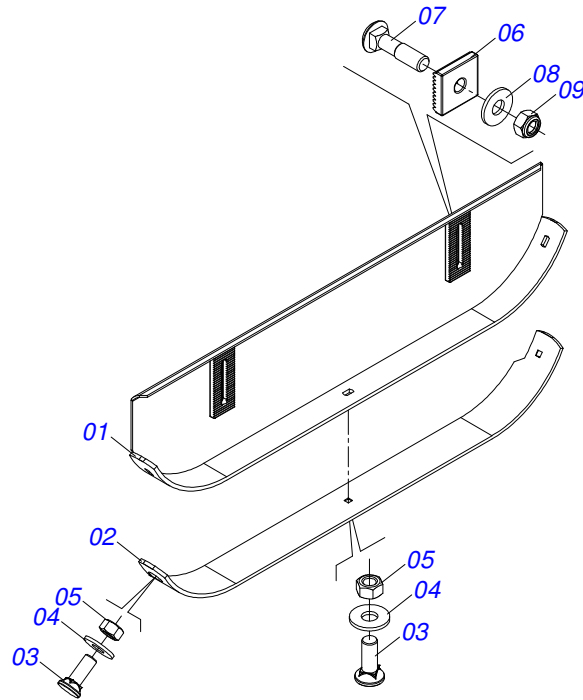


| Item | Code       | Description                     | See page |
|------|------------|---------------------------------|----------|
| 01   | 0501055309 | UNIVERSAL JOINT W/FEMALE TUBE   | 01       |
| 02   | 0501055308 | UNIVERSAL JOINT                 | 01       |
| 03   | 0501052516 | T6-60 TERMINAL WITH SCREW       | 01       |
| 04   | 0503012608 | T2-60/CI51 TERMINAL             | 01       |
| 05   | 0503013240 | FEMALE TRIANGULAR TUBE          | 01       |
| 06   | 0503010837 | CARDAN CROSSPIECE               | 01       |
| 07   | 0503010843 | 0.4" X 3.3" SPRING PIN          | 01       |
| 08   | 0503011878 | 0.2" X 3.3" SPRING PIN          | 01       |
| 09   | 0501055310 | UNIVERSAL JOINT                 | 01       |
| 10   | 0501052520 | UNIVERSAL JOINT WITH CROSSPIECE | 01       |
| 11   | 0501049150 | 90 KGM FRICTION                 | 01       |
| 12   | 0503012600 | T3-60/CI52 TERMINAL             | 01       |
| 13   | 0503013241 | MALE TRIANGULAR TUBE            | 01       |
| 14   | 0503011069 | 0.4" X 2.8" SPRING PIN          | 01       |
| 15   | 0503011805 | 0.2" X 2.8" SPRING PIN          | 01       |
| 16   | 0503012074 | PROTECTION ASSY                 | 01       |
| 17   | 0502010830 | 6-60 STRIATED 1.3/8" TERMINAL   | 01       |
| 18   | 0501047759 | 1/2" X 3-1/2" BOLT ASSY         | 01       |



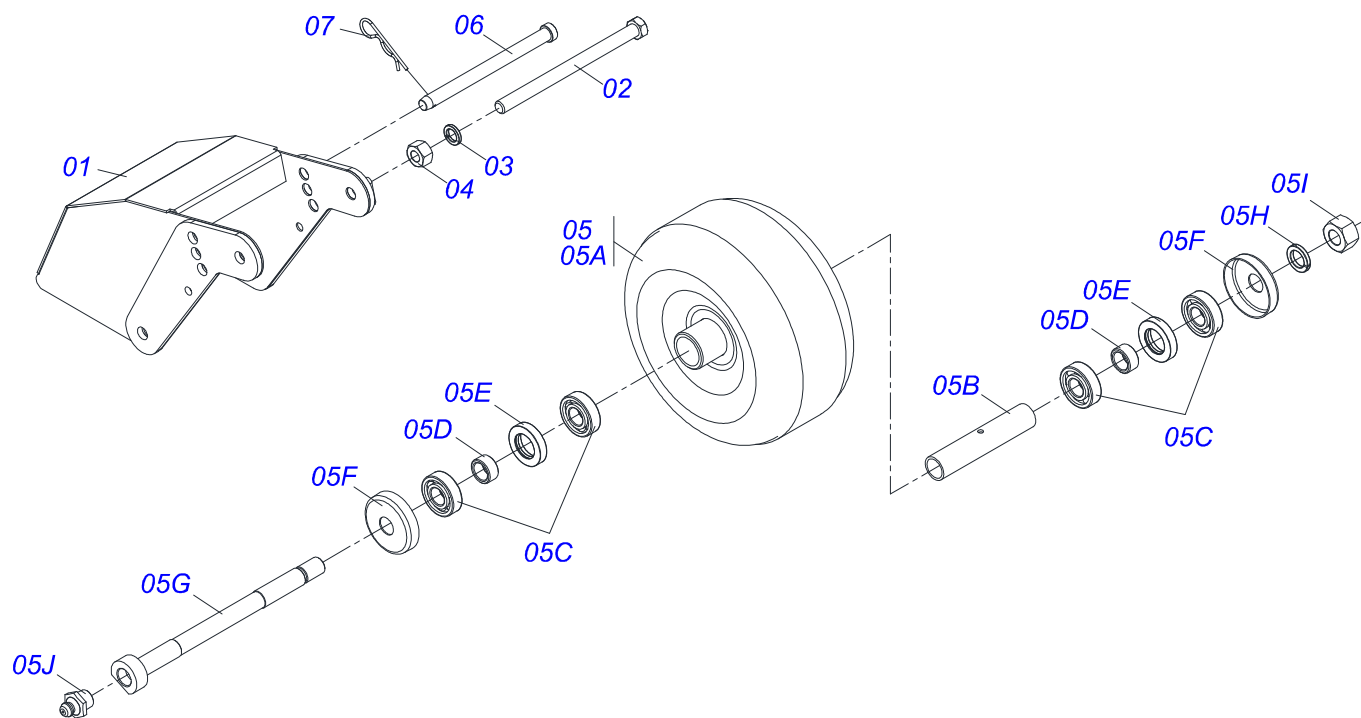
| Item | Code       | Description                          | See page | QT |
|------|------------|--------------------------------------|----------|----|
| 01   | 0501052529 | UNIVERSAL JOINT WITH SLEEVE/PROT     |          | 01 |
| 02   | 0501052523 | UNIVERSAL JOINT WITH SLEEVE          |          | 01 |
| 03   | 0501052524 | UNIVERSAL JOINT                      |          | 01 |
| 04   | 0501050334 | 1-60 TERMINAL WITH QUICK HITCH       |          | 01 |
| 05   | 0502010568 | 1-60 STRIATED 1.3/8" TERMINAL        |          | 01 |
| 06   | 0503010838 | 0.1" X 0.8" SPRING PIN               |          | 02 |
| 07   | 0503037375 | PIN QUICK COUPLING                   |          | 02 |
| 08   | 0503030518 | 0.5"X1.0"X 0.1" COMPRESSION SPRING   |          | 02 |
| 09   | 0503010837 | CARDAN CROSSPIECE                    |          | 01 |
| 10   | 0503012608 | T2-60/CI51 TERMINAL                  |          | 01 |
| 11   | 0503012609 | 2.1" X 2.0" X 35" TRIAN FEMALE TUB   |          | 01 |
| 12   | 0503010843 | 0.4" X 3.3" SPRING PIN               |          | 01 |
| 13   | 0503011878 | 0.2" X 3.3" SPRING PIN               |          | 01 |
| 14   | 0503012075 | PROTECTION FOR UNIV JOINT AND SLEEVE |          | 01 |
| 15   | 0501052554 | UNIVERSAL JOINT WITH SHAFT/PROT      |          | 01 |
| 16   | 0501052553 | UNIVERSAL JOINT WITH CROSS/SHAFT     |          | 01 |
| 17   | 0501052520 | UNIVERSAL JOINT WITH CROSSPIECE      |          | 01 |
| 18   | 0503012600 | T3-60/CI52 TERMINAL                  |          | 01 |
| 19   | 0503010837 | CARDAN CROSSPIECE                    |          | 01 |
| 20   | 0503012610 | 1.8" X 1.7" X 35" TRIAN MALE TUB     |          | 01 |
| 21   | 0503011069 | 0.4" X 2.8" SPRING PIN               |          | 01 |
| 22   | 0503011805 | 0.2" X 2.8" SPRING PIN               |          | 01 |
| 23   | 0503012076 | PROTECTION FOR UNIV JOINT AND AXLE   |          | 01 |
| 24   | 0503012023 | CHAIN FOR PROTECTION                 |          | 02 |
| 25   | 0501049150 | 90 KGM FRICTION                      |          | 01 |



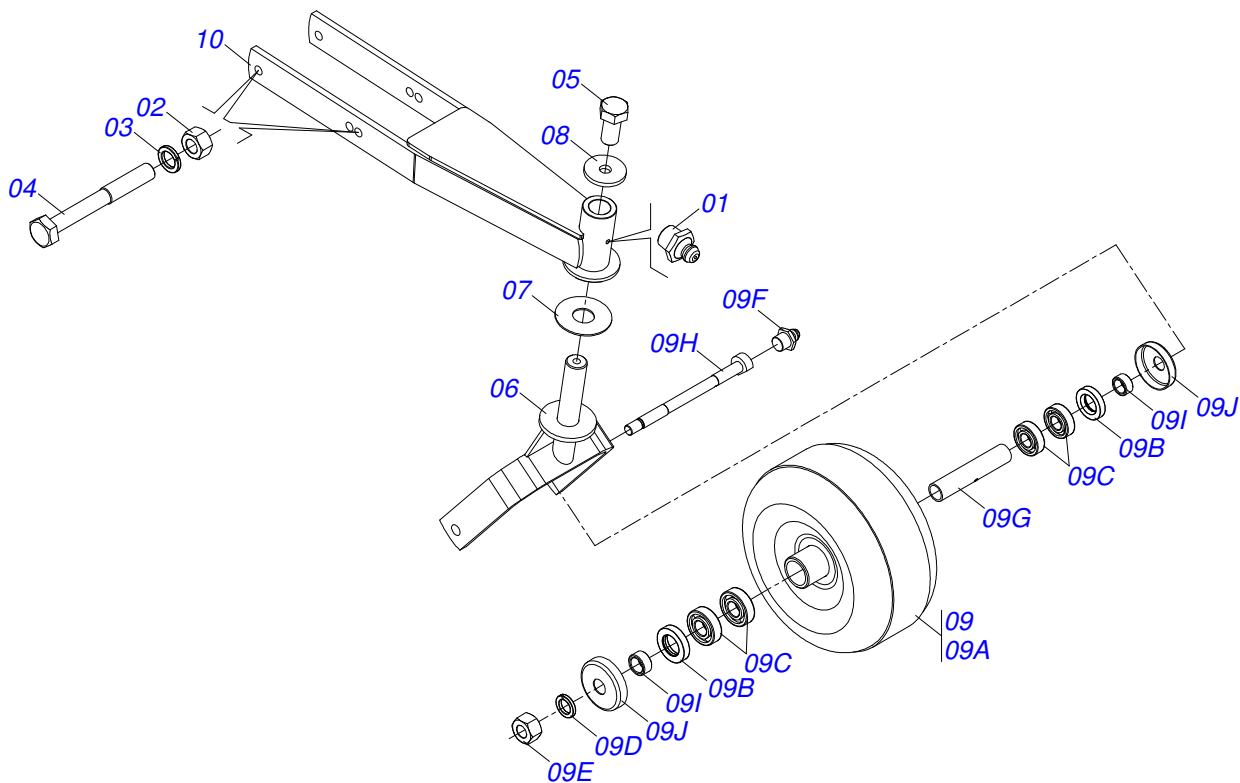


| Item | Code       | Description           | See page | QT |
|------|------------|-----------------------|----------|----|
| 01   | 0511065799 | SKID                  |          | 01 |
| 02   | 0531019433 | SKID GUIDE            |          | 01 |
| 03   | 0503012956 | 1/2" X 1-1/2" BOLT    |          | 03 |
| 04   | 0511017302 | FLAT WASHER           |          | 03 |
| 05   | 0503012682 | 1/2" BSW NUT          |          | 03 |
| 06   | 0502010083 | SQUARE WASHER         |          | 02 |
| 07   | 0501014177 | 5/8" X 2-1/2" BOLT    |          | 02 |
| 08   | 0501012140 | FLAT WASHER           |          | 02 |
| 09   | 0503013389 | 5/8" SELF LOCKING NUT |          | 02 |

FRONT WHEEL RIGHT WITH ASSY PROTECTION



| Item | Code       | Description               | See page | QT   |
|------|------------|---------------------------|----------|------|
| 01   | 0521061648 | COVER FRONT WHEEL SUPPORT |          | 01   |
| 02   | 0503012951 | 3/4" X 10-1/2" BOLT       |          | 01   |
| 03   | 0503010023 | 3/4" SPRING WASHER        |          | 01   |
| 04   | 0503010014 | 3/4" NUT                  |          | 01   |
| 05   | 0501053885 | ARM REAR WHELL            |          | 01   |
| 05A  | 0511063509 | 14" X 8" WHELL            |          | 01   |
| 05B  | 0531014502 | 0.9" X 1.1" X 6.3" SLEEVE |          | 01   |
| 05C  | 0503010269 | 6204 BALL BEARING         |          | 04   |
| 05D  | 0521010487 | SPACER WASHER             |          | 02   |
| 05E  | 0503010268 | 00262-B SEAL              |          | 02   |
| 05F  | 0511014254 | DUST CLOAK                |          | 02   |
| 05G  | 0551011854 | REAR CARRYING WHEELS AXLE |          | 01   |
| 05H  | 0503011442 | 3/4" SPRING WASHER        |          | 01   |
| 05I  | 0503010014 | 3/4" NUT                  |          | 01   |
| 05J  | 0503010002 | 1800 GREASE FITTING       |          | 01   |
| 06   | 0541018559 | REAR WHELL CONTROL AXLE   |          | 01   |
| 07   | 0503030012 | HAIR PIN                  |          | 01   |
| 08   | 1882970002 | GREASE SOAP               |          | 01Kg |



| Item | Code       | Description               | See page | QT |
|------|------------|---------------------------|----------|----|
| 01   | 0503010002 | 1800 GREASE FITTING       |          | 01 |
| 02   | 0503010013 | 5/8" NUT                  |          | 02 |
| 03   | 0503010027 | 5/8" SPRING WASHER        |          | 02 |
| 04   | 0503010795 | 5/8" X 7" BOLT            |          | 02 |
| 05   | 0503010962 | 5/8" X 1-1/4" BOLT        |          | 01 |
| 06   | 0511065664 | WHEELS FORK               |          | 01 |
| 07   | 0511013239 | FLAT WASHER               |          | 01 |
| 08   | 0511010721 | FLAT WASHER               |          | 01 |
| 09   | 0501053885 | ARM REAR WHELL            |          | 01 |
| 09A  | 0511063509 | 14" X 8" WHELL            |          | 01 |
| 09B  | 0503010268 | 00262-B SEAL              |          | 02 |
| 09C  | 0503010269 | 6204 BALL BEARING         |          | 04 |
| 09D  | 0503011442 | 3/4" SPRING WASHER        |          | 01 |
| 09E  | 0503010014 | 3/4" NUT                  |          | 01 |
| 09F  | 0503010002 | 1800 GREASE FITTING       |          | 01 |
| 09G  | 0531014502 | 0.9" X 1.1" X 6.3" SLEEVE |          | 01 |
| 09H  | 0551011854 | REAR CARRYING WHEELS AXLE |          | 01 |
| 09I  | 0521010487 | SPACER WASHER             |          | 02 |
| 09J  | 0511014254 | DUST CLOAK                |          | 02 |
| 10   | 0521065281 | WHEEL SUPPORT             |          | 01 |
| 11   | 1882970002 | GREASE SOAP               |          | 02 |





[www.marchesan.com.br](http://www.marchesan.com.br)



**Technical Publications | Elaboration and Revision**  
ALESSANDRA PATRICIA KAWAHARA CARRILI