

# PARTS CATALOGUE



## IMPLEMENTS FOR SUGAR CANE

**Code:**

0501092792

**Product:**

SAL 1



**Series:**

S-1094

**Revision:**

00

**Date Revision:**

JULHO/2020



# PRODUCTS

Code	Description	
0110020001	SAL 1	S-1094

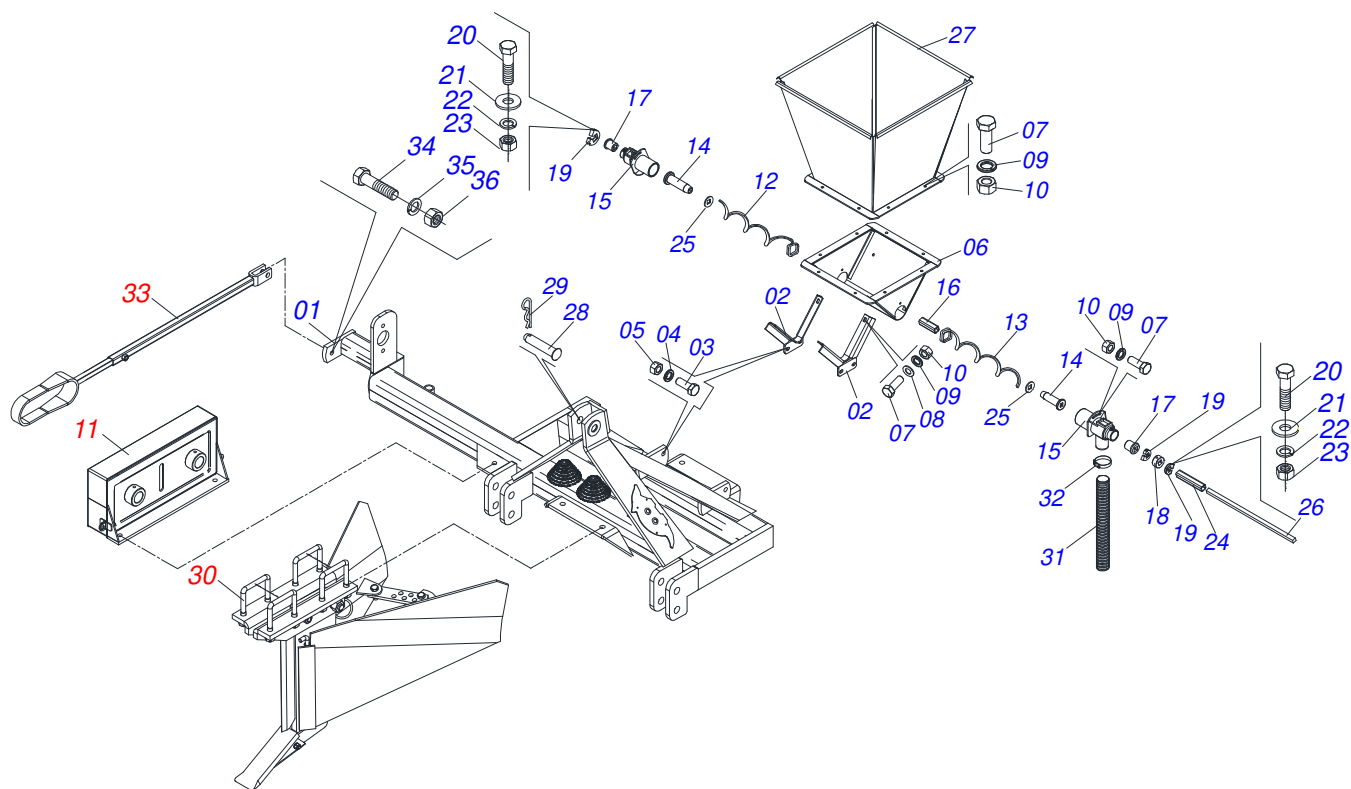
## ATTENTION: IMPORTANT

Marchesan S.A. reserves the right to improve and / or modify the technical features of its products, without obligation to do the same with those products already sold and without prior knowledge of the dealer or the consumer.



# INDEX

0909099169	FRAME SUBSOILER FERTILIZER	.....	1
0909099170	TRANSMISSION	.....	2
0501047817	ARM ASSY - SUL/SAL	.....	3
0909099174	HITCH SET	.....	4



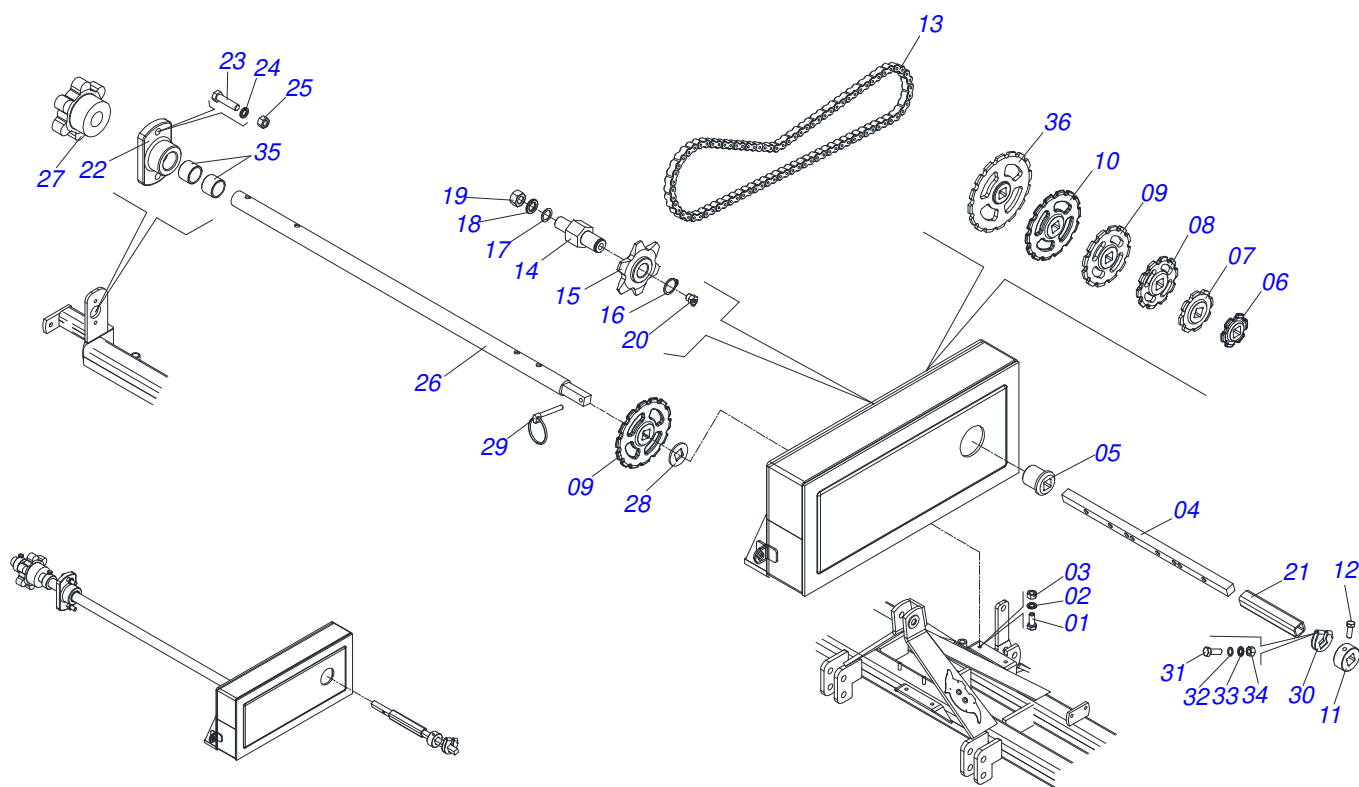
Item	Code	Description	See page	QT
01	0501061237	FRAME		01
02	0501061226	FERTILIZER SUPORT BOX		04
03	0503011082	C1/2" X 1.3/4" SCREW		08
04	0503011440	SPRING WASHER		08
05	0503010060	1/2" NUT		08
06	0501061236	DISTRIBUTOR FERTILIZER		02
07	0503010237	3/8" X 1" BOLT		08
08	0501010984	FLAT WASHER		08
09	0503011443	3/8" SPRING WASHER		08
10	0503010026	3/8" NUT		08
11	0909092291	TRANSMISSION		01
12	0503031167	RIGHT HELICAL CONDUTOR		02
13	0503031168	LEFT CONDUTOR		02
14	0502010140	FERTILIZER DOSADOR		04
15	0502020474	FERTILIZER DISTRIBUTOR		04
16	0511014217	0.8" X 2" SQUARE SLEEVE		04
17	0502011294	AXLE SLEVE GUIDES		06
18	0502011303	SLEEVE LOCK		02
19	0521010691	AXLE FASTENER		06
20	0503010373	SCREW 1/4 UNC X 2 CS G.2 ZN		06
21	0501010694	8.5 X 18 X 1.5 FLAT WASHER		06
22	0503011441	SPRING WASHER		06
23	0503010144	1/4" NUT		06
24	0501010778	TRACTOR HITCH		02
25	0501010637	FLAT WASHER		04
26	0501010780	AXLE Q 3/4 X 840	SAC/M	02
27	0501061143	BOX FERTILIZER		02
28	0521010580	COUPLING SHAFT		03
29	0503031035	HAIR PIN		03
30	0501047817	ARM ASSY - SUL/SAL	3	02
31	0501010769	2" X 31.5" HOSE ASSY		04



FRAME SUBSOILER FERTILIZER

0909099169

Item	Code	Description	See page	QT
32	0503010246	CLAMP		04
33	0501057763	ARM/DISARMENT ROD ASSY		01
34	0503010899	5/8" X 2-1/4" BOLT		01
35	0503010027	5/8" SPRING WASHER		01
36	0503010013	5/8" NUT		01



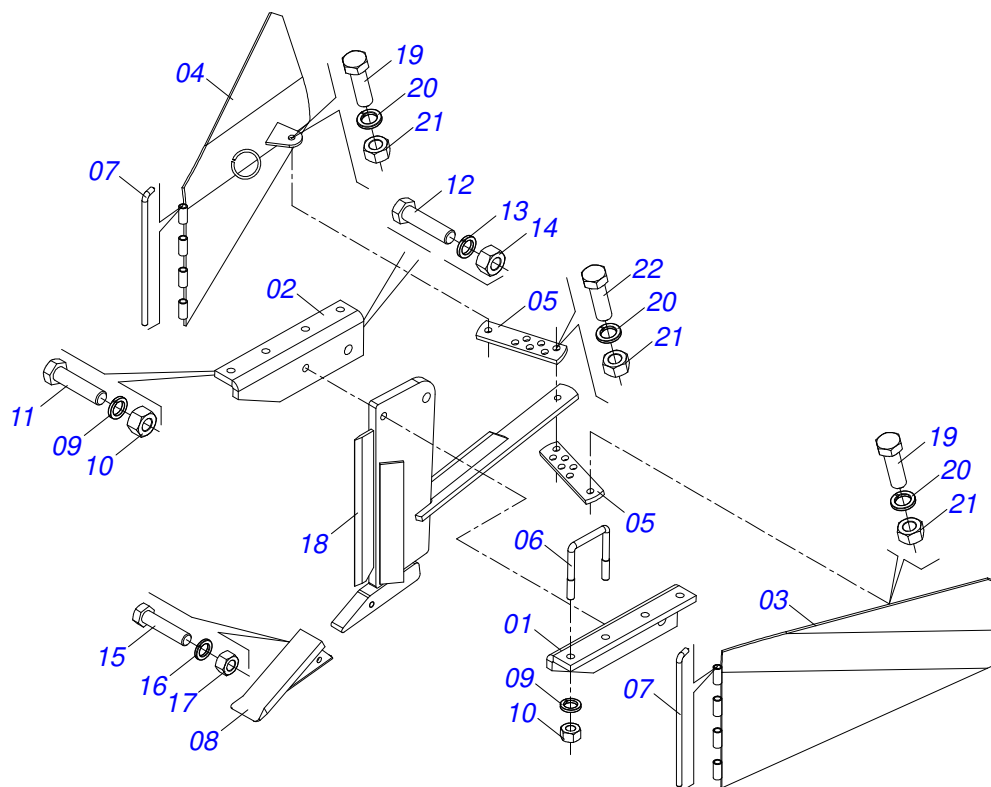
Item	Code	Description	See page	QT
01	0501010544	1/2" X 1-3/4" BOLT		04
02	0503010019	1/2" SPRING WASHER		04
03	0503010020	1/2"NUT		04
04	0501010787	AXLE		01
05	0502010157	AXLE GUIDE BUSHING		02
06	0502011307	6Z GEAR		01
07	0502011315	8Z P 1.2" SH 3/4" GEAR		01
08	0502011318	10Z GEAR		01
09	0502011325	12Z P 1.2" GEAR		02
10	0502011343	SLEEVE 16Z		01
11	0502011303	SLEEVE LOCK		02
12	0503010237	3/8" X 1" BOLT		02
13	0503010253	57 CHAIN X 73 LINK		01
14	0501067736	BELT TENSIONER		01
15	0502012317	WHEEL TOOTH		01
16	0503010258	501020 CLAMPING RING (FOR AXLE)		01
17	0501010301	FLAT WASHER		02
18	0503011445	SPRING WASHER		01
19	0503010013	5/8" NUT		01
20	0503010003	1845 GREASE FITTING		01
21	0511014217	0.8" X 2" SQUARE SLEEVE		04
22	0501110014	AGRICULTURAL BEARING		01
23	0503011082	C1/2" X 1.3/4" SCREW		02
24	0503010019	1/2" SPRING WASHER		02
25	0503010060	1/2" NUT		02
26	0501010788	DRIVER AXLE		01
27	0502010156	6Z GEAR		01
28	0501010637	FLAT WASHER		02
29	0503030085	LOCK PIN		01
30	0521010691	AXLE FASTENER		02
31	0503010373	SCREW 1/4 UNC X 2 CS G.2 ZN		02



**SAL 1**  
**TRANSMISSION**

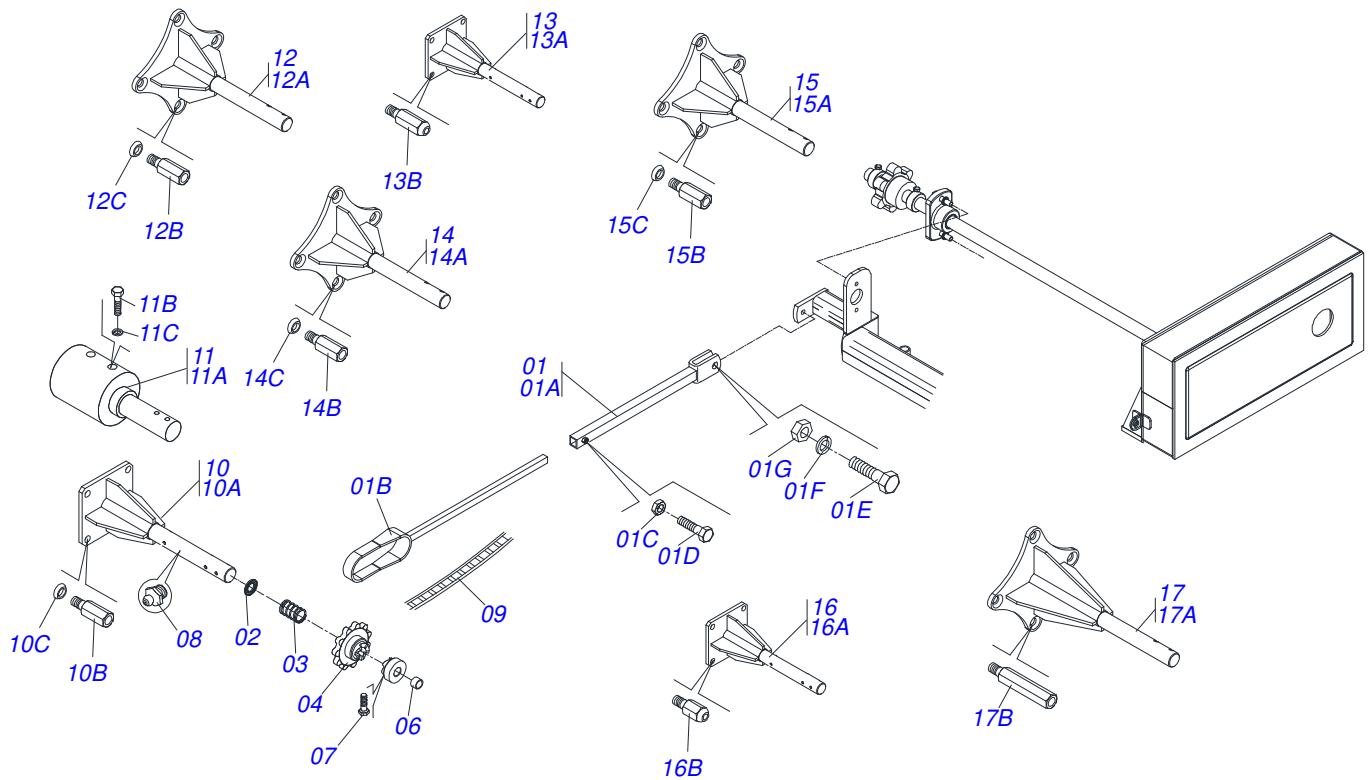
Page 2  
0909099170

<b>Item</b>	<b>Code</b>	<b>Description</b>	<b>See page</b>	<b>QT</b>
32	0501010694	8.5 X 18 X 1.5 FLAT WASHER		02
33	0503011441	SPRING WASHER		02
34	0503010144	1/4" NUT		02
35	0501012282	BUSHING		02
36	0502011337	14Z P 1.2" SH 3/4" GEAR		02



Item	Code	Description	See page	QT
01	0581011075	LEFT SUPPORT		01
02	0581011074	RIGHT SUPPORT		01
03	0501061137	LEFT FRAME		01
04	0501061135	RIGHT FRAME		01
05	0551011198	ADJUSTMENT BAR		02
06	0521010659	3/4 UNC X 148 X 125 FASTENER		04
07	0501010733	ROD		02
08	0501061120	SUBSOILER TIP		01
09	0503010023	3/4" SPRING WASHER		09
10	0503010014	3/4" NUT		09
11	0501010195	3/4" X 3-1/2" BOLT		01
12	0503011432	1" X 4" BOLT		01
13	0503010012	1" SPRING WASHER		01
14	0501010059	1.5/8 NUT		01
15	0503010479	1/2" X 3" BOLT		01
16	0503010019	1/2" SPRING WASHER		01
17	0503010060	1/2" NUT		01
18	0501061133	TURNBUCLE BODY		01
19	0501010100	SCREW 5/8 UNC X 2 CS G.5 ZN		02
20	0503010027	5/8" SPRING WASHER		03
21	0503010013	5/8" NUT		03
22	0503010233	5/8" X 2-1/2" BOLT		01





Item	Code	Description	See page	QT
01	0501057763	ARM/DISARMMENT ROD ASSY		01
01A	0511068860	ROD DRIVING		01
01B	0511068861	COUPLING/UNCOUPLING ARM		01
01C	0503010060	1/2" NUT		01
01D	0501010161	1/2" X 1.1/4" BOLT		01
01E	0503010899	5/8" X 2-1/4" BOLT		01
01F	0503010027	5/8" SPRING WASHER		01
01G	0503010013	5/8" NUT		01
02	0501010765	SPINDLE GUIDE		01
03	0503030086	COMPRESSION SPRING		01
04	0502011321	11Z GEAR WITH RIGHT DRAGGER		01
05	0502011379	RH FOLLOWER		01
06	0501014453	LOCK BUSHING		01
07	0503010734	1/2" X 2-1/2" BOLT		02
08	0503010002	1800 GREASE FITTING		01
09	0503010253	57 CHAIN X 73 LINK		01
10	0501057350	SUPPORT MOTOR ASSY		01
10A	0501062862	MOTOR SUPPORT		01
10B	0501016631	SUPPORT FIXER MOTOR		04
10C	0511016819	CONICAL SPRING WASHER		04
11	0501057586	MOTOR SUPPORT ASSY		01
11A	0511067550	MOTOR SUPPORT		01
11B	0501010077	1/2" X 2" BOLT		04
11C	0503010060	1/2" NUT		04
12	0501057304	SUPPORT MOTOR ASSY		01
12A	0511067495	SUPPORT MOTOR		01
12B	0551011867	FIXER SUPPLEMENT FIXER MOTOR		04
12C	0511016819	CONICAL SPRING WASHER		04
13	0501057332	MOTOR SUPPORT ASSY		01
13A	0501061185	MOTOR SUPPORT ASSY		01
13B	0501010763	MOTOR SUPPORT FIXER		04



**SAL 1**  
**HITCH SET**

Item	Code	Description	See page	QT
14	0501057338	MOTOR SUPPORT ASSY		01
14A	0511067495	SUPPORT MOTOR		01
14B	0551011867	FIXER SUPPLEMENT FIXER MOTOR		04
14C	0511016819	CONICAL SPRING WASHER		04
15	0501057356	MOTOR SUPPORT ASSY		01
15A	0511067495	SUPPORT MOTOR		01
15B	0551010306	FIXER SUPPLEMENT FIXER MOTOR		04
15C	0511016819	CONICAL SPRING WASHER		04
16	0501057740	MOTOR SUPPORT ASSY		01
16A	0501061185	MOTOR SUPPORT ASSY		01
16B	0511014660	MOTOR SUPPORT FIXER		04
17	0501058914	MOTOR SUPPORT ASSY		01
17A	0511067981	MOTOR SUPPORT		01
17B	0561012398	FIXER SUPPLEMENT FIXER MOTOR		04





[www.marchesan.com.br](http://www.marchesan.com.br)



**Technical Publications | Elaboration and Revision**  
LORENA ROCHA ALVES