

OFFSET DISK HARROW

SIDE FRAME

Code: 0501092780
Series: S-0804
Revision: 00
Date Revision: JULHO/2020

PARTS CATALOGUE



MARCHESAN



PRODUCTS

Code	Description
0102260456	GCRO-QL 7010 72X28X7,5 DM MT S-0804
0102260659	GCRO-QL 7010 72X28X7,5 DM MT S/PN
0102260474	GCRO-QL 7010 72X30X7,5 DM MT S/PN

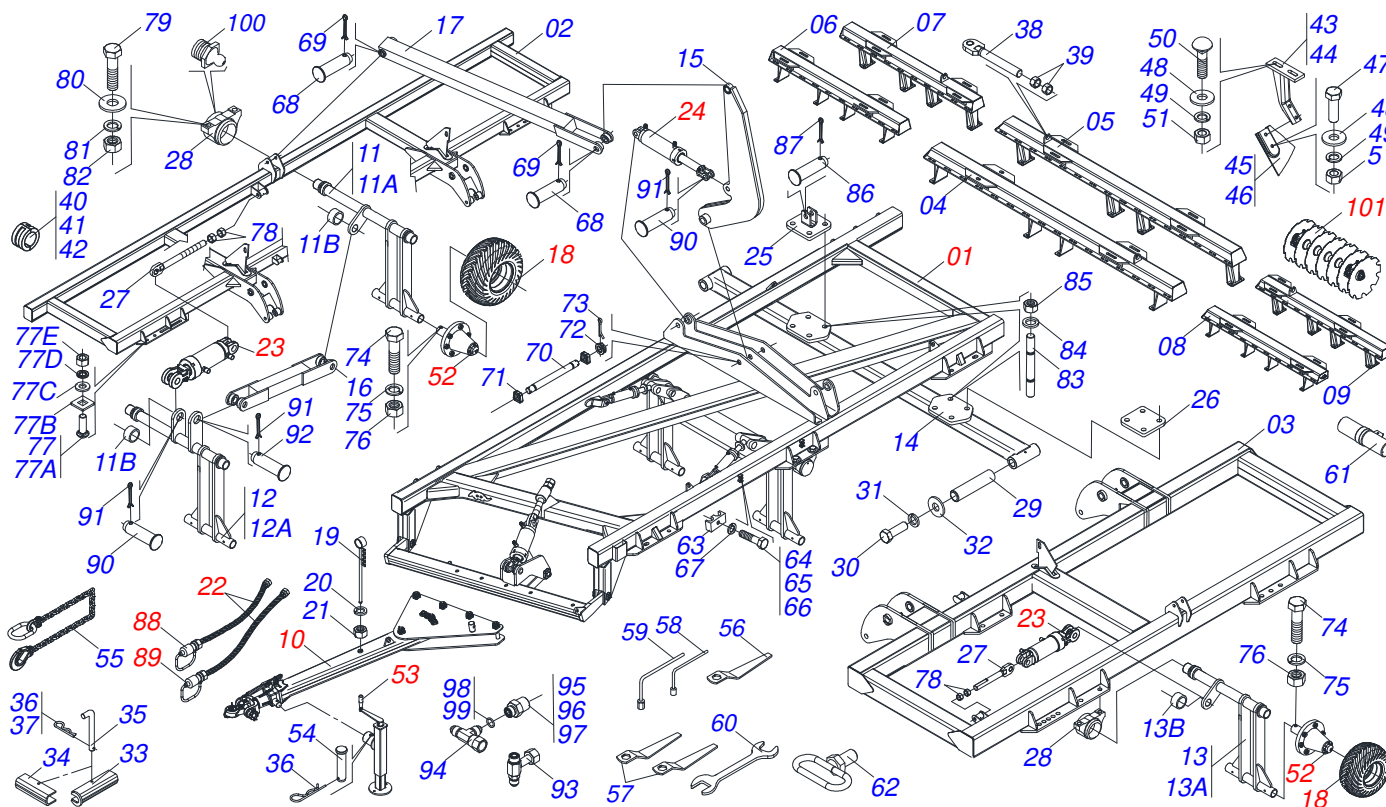
ATTENTION: IMPORTANT

Marchesan S.A. reserves the right to improve and/or modify the technical features of its products, without obligation to do the same with those products already sold and without prior knowledge of the dealer or the customer. The photos are only illustrative.



INDEX

0909099142	FRAME ASSY	1
0511043126	FRAME ASSY	2
0511043107	2.13" X 4" X 24" X 11.8" HYDRAULIC CYLINDER	3
0511041598	1.75" X 3" X 20" X 8" HYDRAULIC CYLINDER	4
0511041592	ASSY TRACTION BAR (PIN 3)	5
0503060102	WHEEL AND TIRE	6
0511050271	HOSE KIT	7
0511043106	1.75" X 3.37" X 24" X 11.8" HYDRA CYLINDER	8
0501044511	2" X 5" X 31.5" X 1 5.75" HYDR CYLINDER	9
0501055263	CARRYING-WHEELS	10
0909099164	GANG DISC	11
0501048457	262MM X 1.5/8" RD OIL BATH BEARING	12



Item	Code	Description	See page	QT
001	0511043126	FRAME ASSY	2	01
002	0511065865	RIGHT SIDE FRAME		01
003	0511065866	FRAME SIDE LEFT		01
004	0511065878	FRONT CENTRAL FRAME		01
005	0511065879	REAR CENTRAL FRAME		01
006	0511065875	RIGHT SIDE FRAME		01
007	0511065876	LEFT FRONT SIDE FRAME		01
008	0511065877	RIGHT SIDE REAR FRAME		01
009	0511065874	LEFT SIDE REAR FRAME		01
010	0511041592	ASSY TRACTION BAR (PIN 3)	5	01
011	0501110421	RW SIDE CARRYING-WHEEL FIXATION SUP		01
011A	0511065870	CARRYING-WHEELS SUPPORT FIXER		01
011B	0541014972	4.5" X 5.5" X 1.6" SLEEVE		02
012	0501110420	CARRYING-WHEEL FIXATION SUPPORT		01
012A	0511065871	CARRYING-WHEEL FIXATION SUPPORT		01
012B	0541014972	4.5" X 5.5" X 1.6" SLEEVE		02
013	0501110423	CARRYING-WHEELS SUPPORT FIXER		01
013A	0511065873	LEFT CARRYING-W FIXATION SUPPORT		01
013B	0541014972	4.5" X 5.5" X 1.6" SLEEVE		02
014	0511065861	STRAIGHT PLATE		02
015	0511065859	PIVOT		02
016	0511065868	CARRYNG-WHEELS PIVOT ARM		01
017	0511065867	ARM PIVOT		02
018	0503060102	WHEEL AND TIRE	6	10
019	0521062849	HOSE HOLDER ASSY		01
020	0503010023	3/4" SPRING WASHER		01
021	0503010014	3/4" HEX NUT		01
022	0511050271	HOSE KIT	7	01
023	0511043106	1.75" X 3.37" X 24" X 11.8" HYDRA CYLINDER	8	02
024	0501044511	2" X 5" X 31.5" X 1 5.75" HYDR CYLINDER	9	02
025	0511065869	LOCK PLATE		02



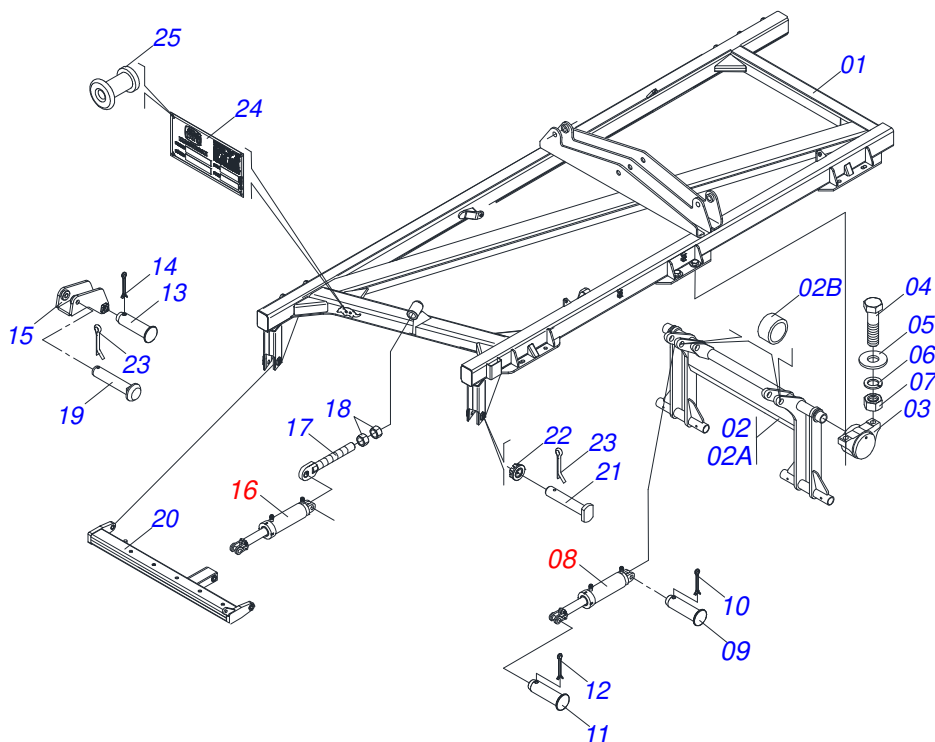
SIDE FRAME
FRAME ASSY

Item	Code	Description	See page	QT
026	0541013438	PLATE		02
027	0501063989	HYDRAULIC CYLINDER REGULATOR		02
028	0501110424	ARTICULACION BEARING		06
029	0541014407	COUPLING SHAFT		04
030	0503011250	1" X 2" BOLT		08
031	0503010012	1" SPRING WASHER		08
032	0521011565	FLAT WASHER		08
033	0541014947	TRANSPORT LOCK		02
034	0511010932	TRANSPORT LOCK		01
035	0501068994	8,30 X 78 LOCK PIN		03
036	0503030168	HITCH PIN CLIP		03
037	0503030012	HITCH PIN CLIP		01
038	0511066085	REGULATOR		03
039	0541014583	1.1/2" X 2.5/16" NUT		06
040	0501047885	30 ROD STOP		02
041	0501047887	40 ROD STOP		02
042	0501047895	25 ROD STOP		04
043	0511065925	REAR SCRAPER SUPPORT		37
044	0511065926	FRONT SCRAPER SUPPORT		36
045	0541013461	FRONT SCRAPER SHOVEL		36
046	0541013463	REAR SCRAPER SHOVEL		37
047	0503011243	5/8" X 2" BOLT		144
048	0501012140	FLAT WASHER		144
049	0503010027	5/8 SPRING WASHER		290
050	0503012195	5/8" NUT		144
051	0503010013	5/8 NUT		290
052	0501055263	CARRYING-WHEELS	10	10
053	0511048088	DRAWBAR JACK		01
054	0561014251	COUPLING SHAFT		01
055	0503013150	1300 X 3/8 CHAIN		01
056	0501011432	1-1/2" AND 1-5/8 GANG BOLT WRENCH		01
057	0501011431	1-3/4" GANG BOLT WRENCH		02
058	0503016140	3/4" WRENCH CABLE CYLINDRICAL		01
059	0503016137	1-1/4" WRENCH CABLE CYLINDER		01
060	0541015451	FIXED KEY 2.3/8 X 2.3/4		01
061	0521052964	MANUAL DOOR ASSY INSTRUCTION		04
062	0501069343	WRENCH FIXER		01
063	0502010477	HOSE CLAMP		09
064	0501010096	3/8" X 2" BOLT		09
065	0503011141	3/8" X 2-3/4" BOLT		01
066	0503010765	3/8" X 3" BOLT		02
067	0503010027	5/8 SPRING WASHER		12
068	0521010778	1.25" X 3.15" COUPLING SHAFT		06
069	0503010534	3/8 X 2-1/2 COTTERPIN		06
070	0541013820	PRISONER R.		01
071	1902040469	CONICAL SPRING WASHER		02
072	0501011301	1.1/2 UNC 6FPP 2.5/16 NUT		02
073	0503010010	1/4" X 2.1/2" COTTERPIN		02
074	0503010547	1/2" X 4" BOLT		10
075	0503010019	1/2" SPRING WASHER		10
076	0503010060	1/2 UNC G.5 ZN HEX NUT		10
077	0501041102	1-1/4" X 3-3/4" ASSY BOLT		08
077A	0501015348	1-1/4" X 3-3/4" BOLT		01
077B	0501010953	1-1/4" SQUARE WASHER		01
077C	0531010713	FLAT WASHER		01
077D	0503010070	SPRING WASHER		01
077E	0501010087	1.1/4" NUT		01
078	0501010110	1.1/2" NUT		05
079	0503011432	BOLT		12

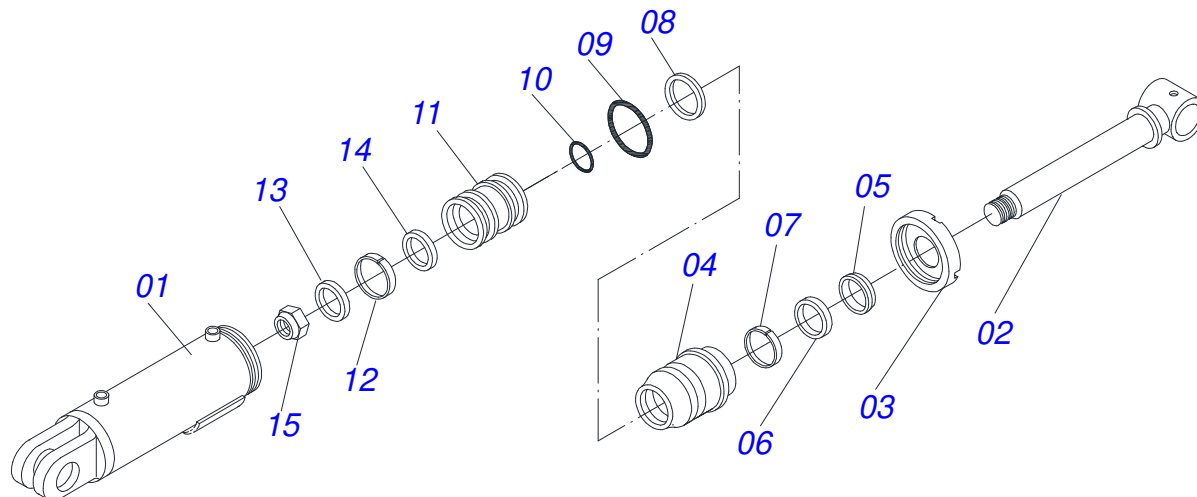


SIDE FRAME
FRAME ASSY

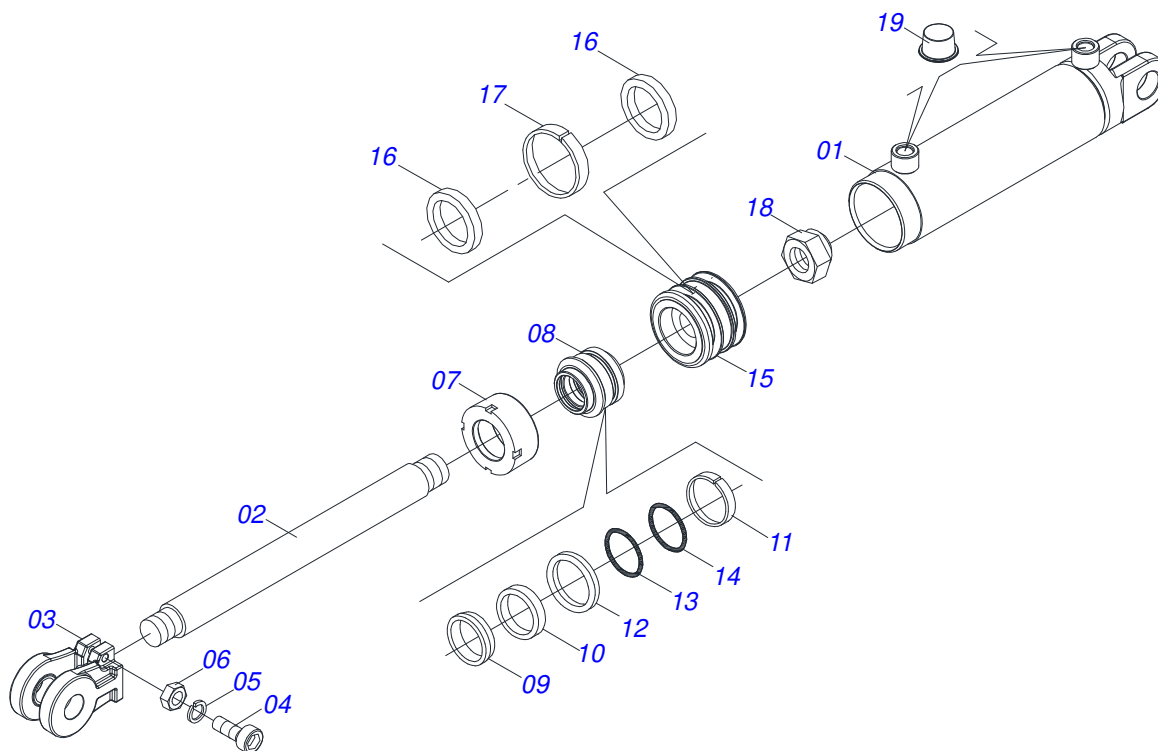
Item	Code	Description	See page	QT
080	0501010065	1" SPRING WASHER		12
081	0503010012	1" SPRING WASHER		12
082	0501010059	1.5/8 NUT		12
083	0541013465	FASTENER		16
084	0503010070	SPRING WASHER		32
085	0503013094	1.1/4" NUT		32
086	0521010578	COUPLING SHAFT		02
087	0503010571	1/4" X 1.1/2 COTTERPIN		02
088	0501053834	MALE QUICK COUPLER		06
089	0501053835	FEMALE QUICK COUPLER		02
090	0521012538	1.2" X 3.5" COUPLING SHAFT		04
091	0503010523	1/4" X 2" COTTERPIN		06
092	0521015501	COUPLING SHAFT		02
093	0503013272	T 1/2" MALE ADAPTER ASSY		04
094	0503013273	T 1/2" MALE ADAPTER		02
095	0503032098	13/16" NIPPLE		06
096	0503030923	3/4" UNF X 13/16UN OFS X 40 NIPPLE		16
097	0503032031	3/4" UNF REDUCTION NIPPLE		02
098	0503010190	2-114 N 3006-9B O'RING		16
099	0503011030	2-014 N 3006-9B O'RING		10
100	0503010002	1800 GREASE FITTING		23
101	0909099164	GANG DISC	11	01



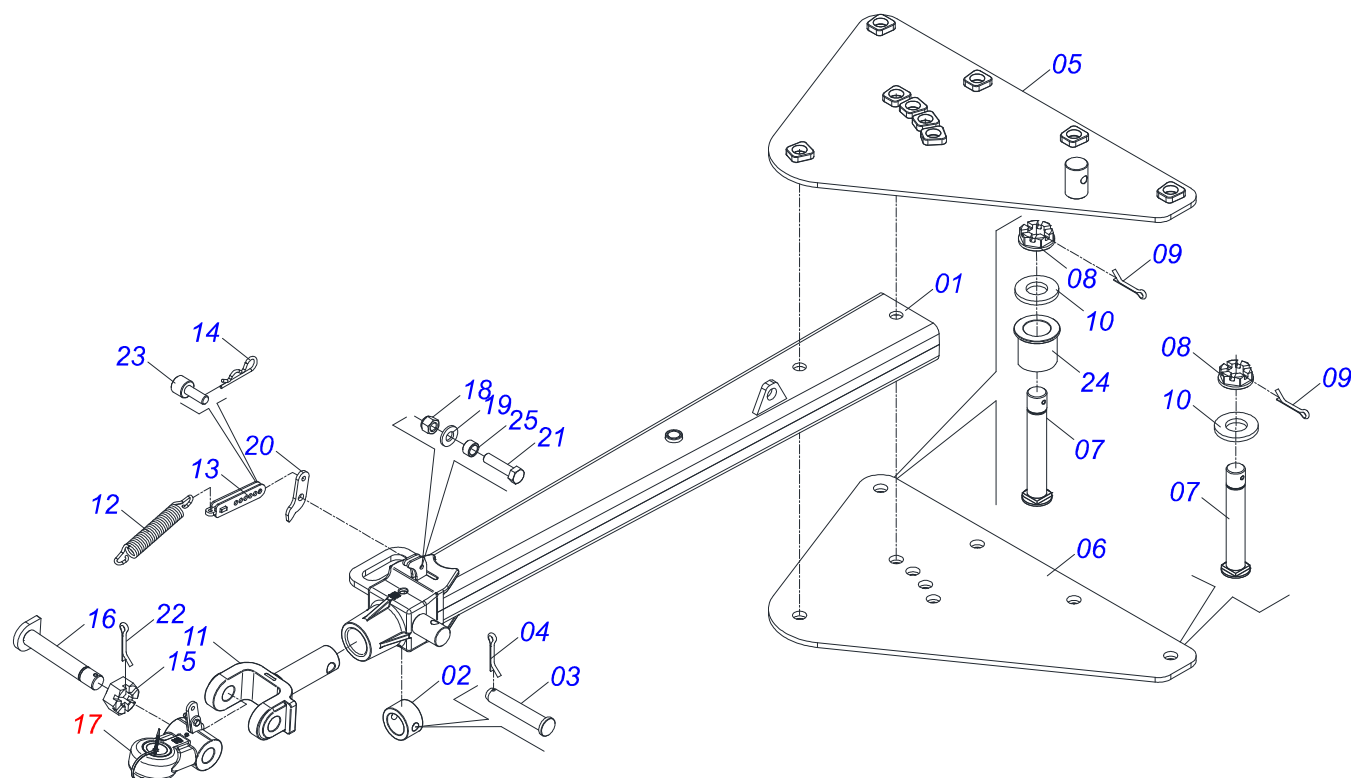
Item	Code	Description	See page	QT
001	0511065864	CENTRAL FRAME		01
002	0501110422	CARRYING-WHEEL FIXATION SUPP ASSY		01
002A	0511065872	CARRYING-WHEELS SUPPORT FIXER		01
002B	0541014972	4.5" X 5.5" X 1.6" SLEEVE		02
003	0501110424	ARTICULACION BEARING		02
004	0503011432	BOLT		04
005	0501010065	1" SPRING WASHER		04
006	0503011438	SPRING WASHER		04
007	0501010059	1.5/8 NUT		04
008	0511043107	2.13" X 4" X 24" X 11.8" HYDRAULIC CYLINDER	3	02
009	0521015501	COUPLING SHAFT		02
010	0503010523	1/4" X 2" COTTERPIN		02
011	0521012538	1.2" X 3.5" COUPLING SHAFT		03
012	0503010523	1/4" X 2" COTTERPIN		03
013	0531019171	1.25" X 7" COUPLING SHAFT		01
014	0503010523	1/4" X 2" COTTERPIN		01
015	0511064656	DRAWBAR PIVOT		01
016	0511041598	1.75" X 3" X 20" X 8" HYDRAULIC CYLINDER	4	01
017	0511064433	REGULATOR SPINDLE 1-3/4		01
018	0501010333	1.3/4" NUT		02
019	0521012053	1.5" X 8.6" AXLE		01
020	0511065858	OFFSET BAR		01
021	0531018100	37,50 X 200 COUPLING SHAFT		02
022	0501011301	1.1/2 UNC 6FPP 2.5/16 NUT		03
023	0503010010	1/4" X 2.1/2" COTTERPIN		03
024	0503030310	ADHESIVE		01
025	0503010001	3.2 X 5.5 RIVET		04



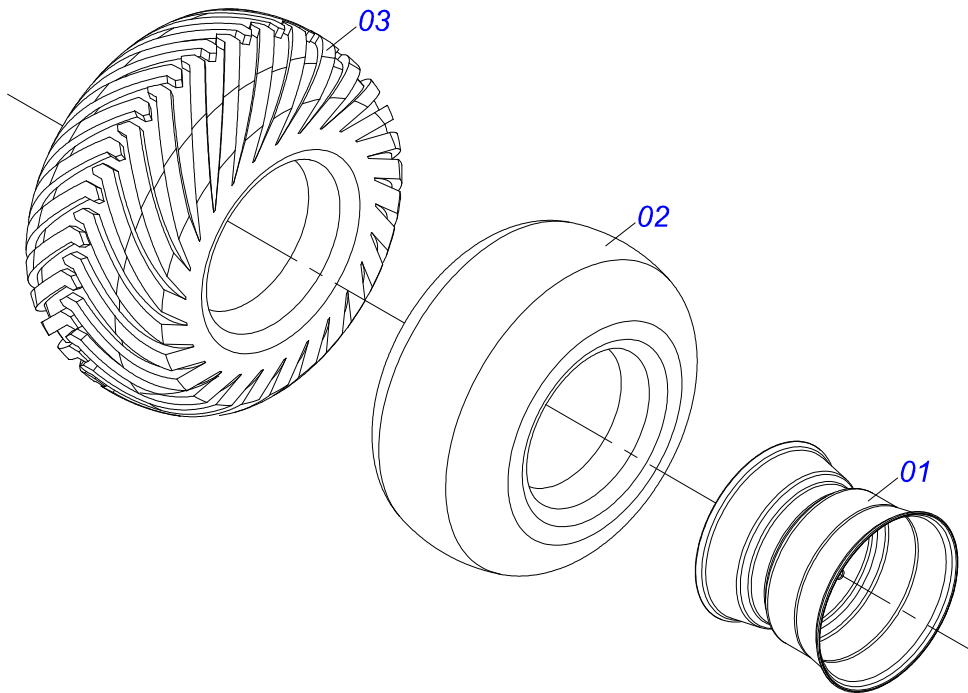
Item	Code	Description	See page
00	0511043107	2.13" X 4" X 24" X 11.8" HYDRAULIC CYLINDER	3
01	0511065863	101,60 X 493 CYLINDER CASE	01
02	0511066070	53,98 X 542,50 TURNBUCKLE	01
03	0502010017	4" HEAD	01
04	0502011250	RING OF SUPPORT	01
05	0503010319	D-2125 SCRAPER	01
06	0503010314	GASKET	01
07	0503010973	W2-2500-500 PK O'RING G.E	01
08	0503011061	8-342 BACK-UP RING	01
09	0503010338	2-342 N 3006-9B O'RING	01
10	0503010345	2-218 N 3006-9B O'RING	01
11	0502011249	PISTON	01
12	0503010994	W2-4000-500 PK RING G.E	01
13	0503012725	GASKET	01
14	0503010043	PACKING 3750-3250	01
15	0503010817	1.1/4" SELF LOCKING NUT	01
16	0501035964	HYDRAULIC CYLINDER REPAIR KIT	



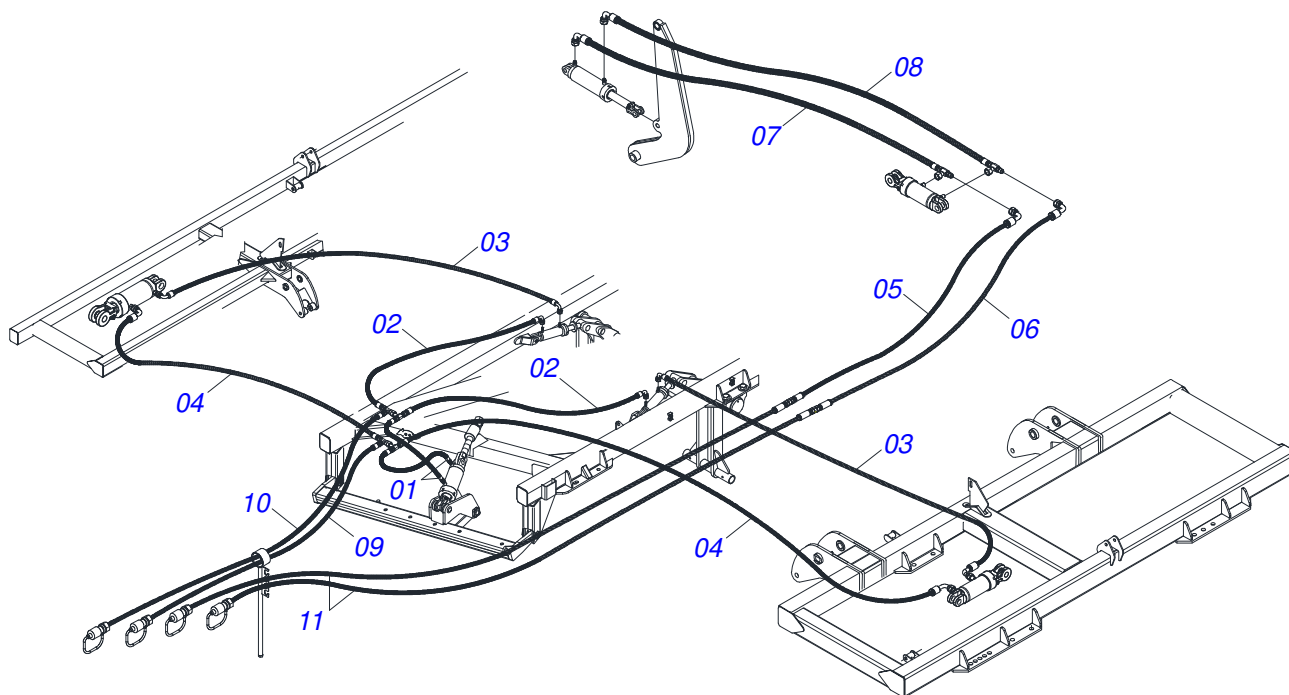
Item	Code	Description	See page	QT
01	0511064734	3" X 15" CYLINDER CASE		01
02	0531019381	1.7" X 16" TURNBUCLE		01
03	0502040747	32.54 CLEVIS CLAMP		01
04	0503011094	3/8" X 2" BOLT		01
05	0503010025	3/8 SPRING WASHER		01
06	0503010026	3/8" NUT		01
07	0502011899	MOBILE COVER		01
08	0502011897	RING SUPPORT		01
09	0503010761	D-1750 SCRAPER RING		01
10	0503010990	GASKET		01
11	0503010949	W2-2000-500 PK RING G.E		01
12	0503011059	8-334 BACK-UP RING		01
13	0503010343	2-334 N 3006-9B O'RING		01
14	0503010345	2-218 N 3006-9B O'RING		01
15	0502011898	1.8" X 3.0" PISTON		01
16	0503012768	3750-2250 GASKET		02
17	0503010992	W2-3000-500 PK RING G.E		01
18	0503010063	1" SELF-ALIGNING NUT		01
19	0503030384	CON PLUG N-001		02
20	0501033655	HYDRAULIC CYLINDER REPAIR KIT		01



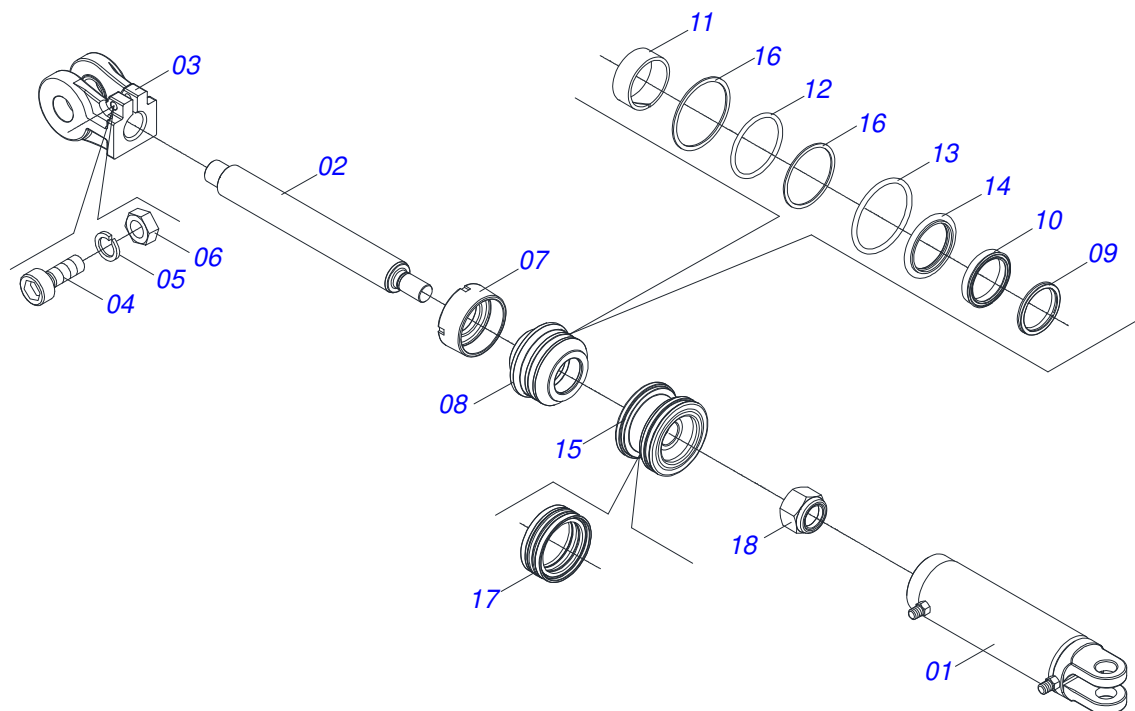
Item	Code	Description	See page	QT
01	0511064669	DRAWBAR ASSY		01
02	0502040263	ANEL TRAVA ENGATE		01
03	0561017306	COUPLING SHAFT		01
04	0503010523	1/4" X 2" COTTERPIN		01
05	0511064659	UPPER PLATE		01
06	0511064658	LOWER PLATE		01
07	0521011880	37,5 X 242 COUPLING SHAFT		06
08	0501011301	1.1/2 UNC 6FPP 2.5/16 NUT		06
09	0503010010	1/4" X 2.1/2" COTTERPIN		06
10	0501012916	FLAT WASHER 40 X 66 X 4,75 ZN		06
11	1902040897	TRACTOR HITCH		01
12	0503031741	1.8" X 11.4" 0.3" TRACTION SPRING		01
13	0531061607	SPRING REGULATOR		01
14	0503030285	HITCH PIN CLIP		01
15	0502040558	2" CASTLE NUT		01
16	0531061122	AXIS ARTICULATOR		01
17	0531040171	ASSY HITCH		01
18	0503010589	1/2" UNC SELF ADJUSTING NUT		01
19	0501010937	13,50 X 28 X 3,00 FLAT WASHER		01
20	0591014554	REAR EAR FIXING SPRING		01
21	0503010740	BOLT 1/2 UNC X 2 CS G.5 ZN		01
22	0503010074	3/8 X 0,15" COTTERPIN		01
23	0591014558	SPRING REGULATOR FIXER AXLE		01
24	0591013086	SLEEVE		01
25	0591014552	SLEEVE		01



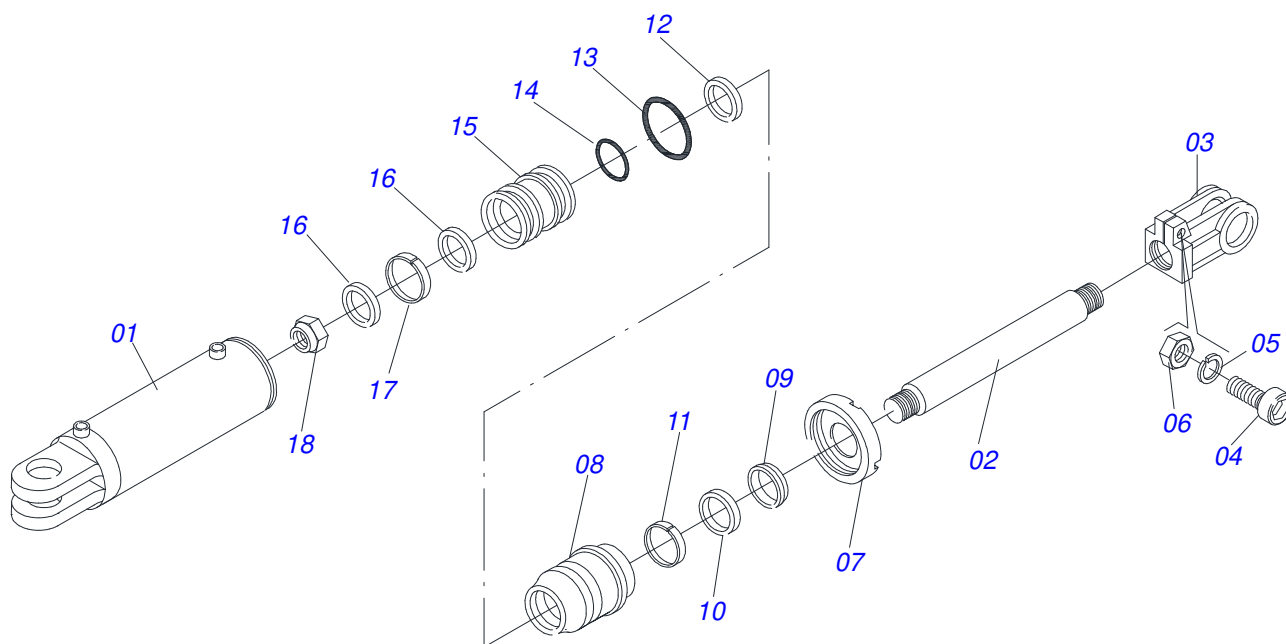
Item	Code	Description	See page	QT
01	0501069483	WHEEL		01
02	0503012112	400/60 - 15.5 TR 15 INNER TIRE		01
03	0503013119	CANVAS TIRE		01



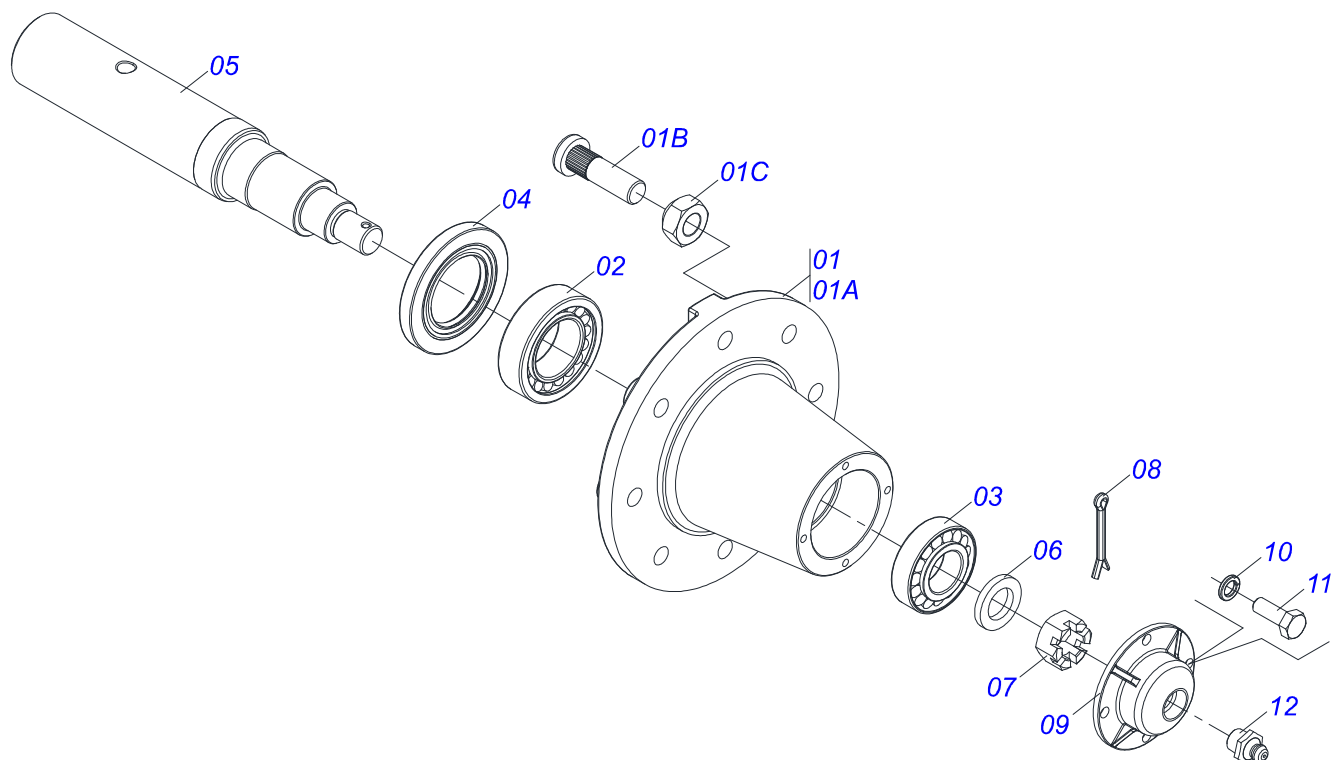
Item	Code	Description	See page	QT
001	0501081602	1/2" X 216" TR-TM HOSE ASSY		02
002	0501081601	HOSE 1/2 X 750		02
003	0501081600	HOSE 1/2 X		02
004	0501081599	HOSE 1/2		02
005	0501081598	HOSE 1/2		01
006	0501081597	HOSE 1/2		01
007	0501081596	HOSE 1/2		01
008	0501081595	HOSE 1/2 X 3400 TR-TC		01
009	0501081594	HOSE 1/2		01
010	0501081593	HOSE TR-TC		01
011	0501081592	HOSE 1/2		02



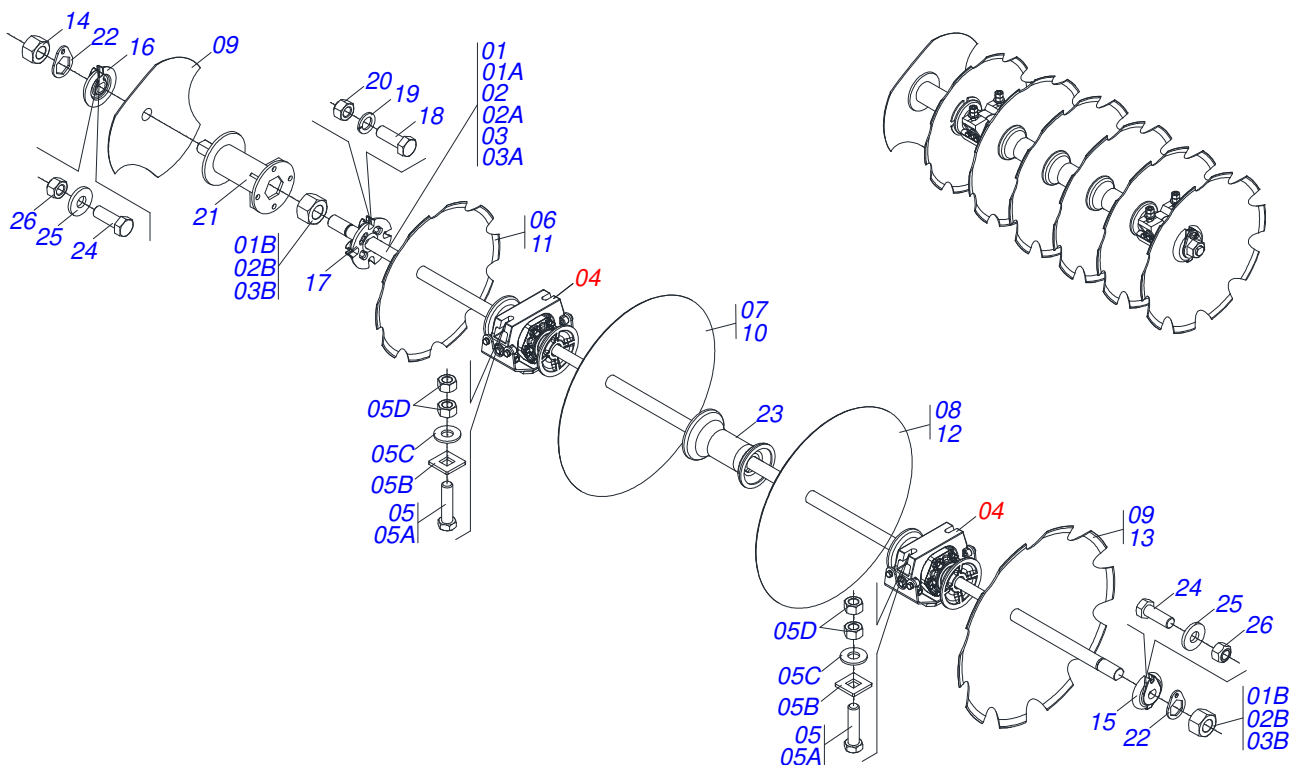
Item	Code	Description	See page
00	0511043106	1.75" X 3.37" X 24" X 11.8" HYDRA CYLINDER	8
01	0511065862	85,72 X 479 CYLINDER CASE	01
02	0541013678	44,45 X 492 TURNBUCLE	01
03	0502040747	32.54 CLEVIS CLAMP	01
04	0503011094	3/8" X 2" BOLT	01
05	0503010025	3/8 SPRING WASHER	01
06	0503010026	3/8" NUT	01
07	0502010993	DETACHABLE COVER	01
08	0502010781	RING SUPPORT	01
09	0503010761	D-1750 SCRAPER RING	01
10	0503010990	GASKET	01
11	0503010949	W2-2000-500 PK RING G.E	01
12	0503011060	8-336 BACK-UP RING	01
13	0503010976	2-336 N 3006-9B O'RING	01
14	0503010042	2-214 N 3006-9B O'RING	01
15	0502011847	1.7" X 3.4" PISTON	01
16	0503012509	GASKET	02
17	0503010948	W4-3346-590 PK RING G.E	01
18	0503010063	1" SELF-ALIGNING NUT	01
19	0501035169	CYLINDER REPAIR KIT 44,45 X 85,72	



Item	Code	Description	See page
00	0501044511	2" X 5" X 31.5" X 1 5.75" HYDR CYLINDER	9
01	0501067088	127 X 580 CYLINDER CASE	01
02	0511017942	50,80 X 681 TURNBUCLE	01
03	0502040747	32.54 CLEVIS CLAMP	01
04	0503011094	3/8" X 2" BOLT	01
05	0503010025	3/8 SPRING WASHER	01
06	0503010026	3/8" NUT	01
07	0502010382	5" END CAP	01
08	0502012227	50.80 X 127 RING SUPPORT	01
09	0503010039	D-2000 SCRAPER RING	01
10	0503010991	1870-2000-375-B GASKET	01
11	0503010952	W2-2250-500 RING	01
12	0503011062	8-425 BACK-UP RING	01
13	0503010351	2-425 N 3006-9B O'RING	01
14	0503010345	2-218 N 3006-9B O'RING	01
15	0502010963	2.0" X 5.0" PISTON	01
16	0503010552	PACKING 3750-4250-625-B	02
17	0503010974	W2-5000-500 RING	01
18	0503010817	1.1/4" SELF LOCKING NUT	01
19	0501031961	HYDRAULIC CYLINDER REPAIR KIT	01



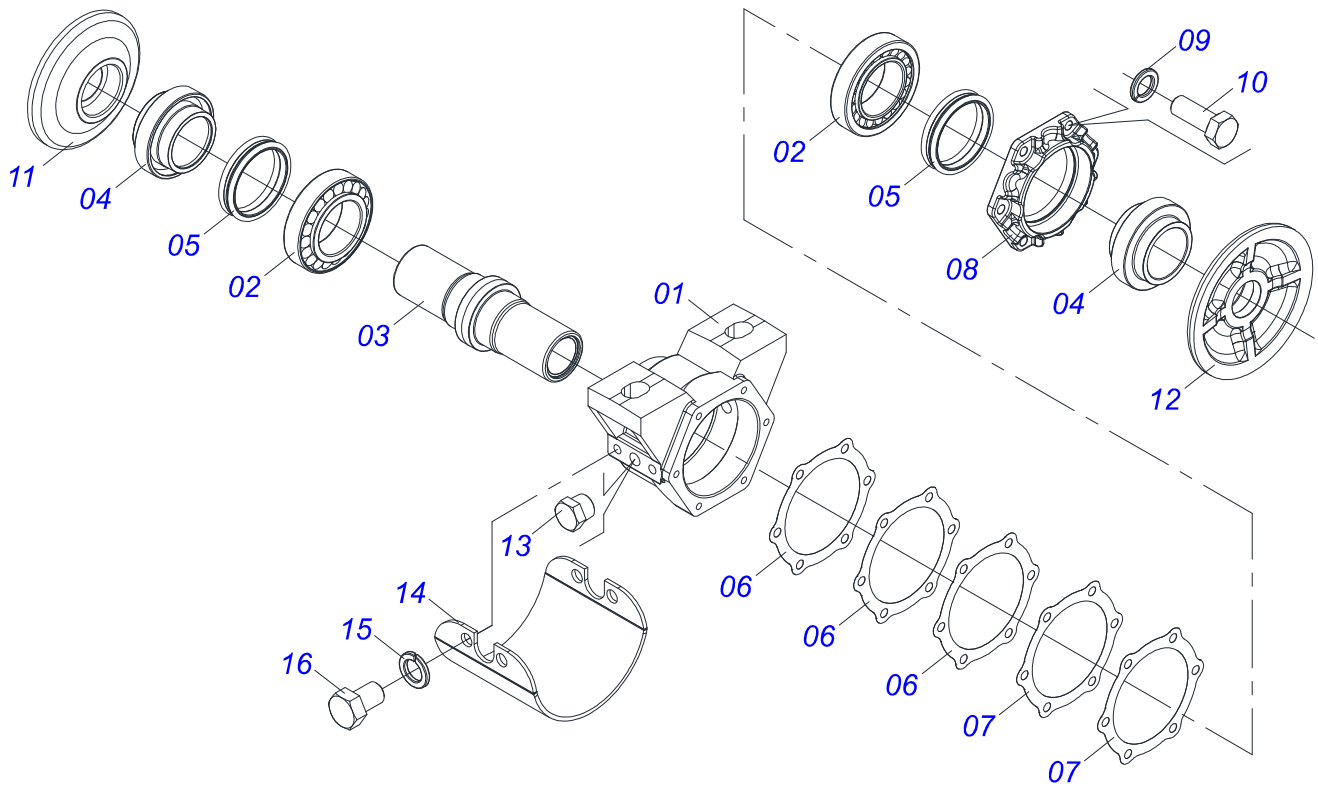
Item	Code	Description	See page	QT
01	0501110738	CARRYING WHEEL HUB		01
01A	0502012260	TRANSPORT WHEEL BOX		01
01B	0501010186	WHEEL SCREW 5/8UNF X 2.1/8CR		08
01C	0503010064	5/8 UNF CONIC NUT		08
02	0503010008	3780/3720 ROLLER BEARING		01
03	0503014821	ROLLER BEARING		01
04	0503013314	RETAINER 5166-GB 63,5 X 110 X 13 ARCA		01
05	0511012494	SPINDLE		01
06	0511012492	FLAT WASHER		01
07	0503030009	1" CASTLE NUT		01
08	0503010018	5/32 X 1-1/2 COTTERPIN		01
09	0502020591	PROTECCION COVER		01
10	0503011444	SPRING WASHER		04
11	0503010358	5/16" X 5/8" BOLT		04
12	0503010002	1800 GREASE FITTING		01



Item	Code	Description	See page	QT
01	0501046854	1-5/8" X 48" AXLE WITH NUTS 2-3/4		04
01A	0501019016	1-5/8 X 48" AXLE		04
01B	0502040640	1.5/8" 2.3/4" NUT		08
02	0501046856	1-5/8" X 59" AXLE WITH NUTS 2-3/4		04
02A	0501019012	1-5/8" X 59" AXLE		04
02B	0502040640	1.5/8" 2.3/4" NUT		08
03	0501046859	1-5/8" X 70" AXLE WITH NUTS 2-3/4"		04
03A	0501015631	1-5/8" X 70" AXLE		04
03B	0502040640	1.5/8" 2.3/4" NUT		08
04	0501048457	262MM X 1.5/8" RD OIL BATH BEARING	12	24
05	0501041925	3/4" X 3-1/2" BOLT ASSY		48
05A	0501010949	3/4" SQUARE WASHER		01
05B	0501010950	3/4" X 3-1/2" BOLT		01
05C	0503010014	3/4" HEX NUT		02
05D	0501010322	FLAT WASHER		01
06	0602040074	30 X 7,5 NOTCHED DISC BLADE		36
07	0601042040	30 X 0,3" PLAIN DISC BLADE		34
08	0601039053	28"X 0.3" PLAIN DISC BLADE		01
09	0602037006	DR28X7,5 C102AF04FR1.11/16 10R TATU		36
10	0601033065	DL26X7,5 C90AF04FR1.11/16 TATU		01
11	0602030445	24 X 6 NOTCHED DISC BLADE		01
12	0601030096	24 X 0,3" PLAIN DISC BLADE		01
13	0602029360	DR22X6 C69AF02FR1.11/16 03REC TATU		01
14	0502040640	1.5/8" 2.3/4" NUT		01
15	0502011047	1-5/8" INNER AXLE WASHER		12
16	0502011048	1-5/8" EXTERNAL AXLE WASHER		12
17	0502012377	1-5/8" EXTERNAL AXLE LOK		01
18	0503010232	5/8" X 1.3/4" BOLT		04
19	0503010027	5/8 SPRING WASHER		04
20	0503010013	5/8 NUT		04
21	0511067146	10.35" AXLE 1-5/8" SPACER		01



Item	Code	Description	See page	QT
22	0502012636	NUT LOCK		24
23	0502010400	263 SPACER		36
24	0503010232	5/8" X 1.3/4" BOLT		04
25	0501011299	FLAT WASHER		04
26	0503010013	5/8 NUT		04



Item	Code	Description	See page	QT
01	0502020636	8.8" X 1-5/8" OIL HOUSING BEARING		01
02	0503013496	3982/3920 ROLLER BEARING		02
03	0502010740	AXLE TK		01
04	0502010736	SEAL RETAINER		02
05	0503030027	DUO-CONE SEAL		02
06	0503030030	5.6" X 4.4" X 0.01" GASKET		03
07	0503030685	5.5" X 4.4" X 0.003" GASKET		02
08	0502020161	WEAR PLATE BEARING		01
09	0503011443	3/8" SPRING WASHER		06
10	0503010237	3/8" X 1" BOLT		06
11	0502040240	INNER FLANGE		01
12	0502040239	OUTER FLANGE		01
13	0503010856	OIL PLUG		02
14	0521012933	BEARING WEAR PLATE		01
15	0503010019	1/2" SPRING WASHER		04
16	0503011401	1/2" X 3/4" BOLT		04



MARCHESAN

Technical Publications | Elaboration and Revision

LUIZ CANDIDO

www.marchesan.com.br

