

PARTS CATALOGUE



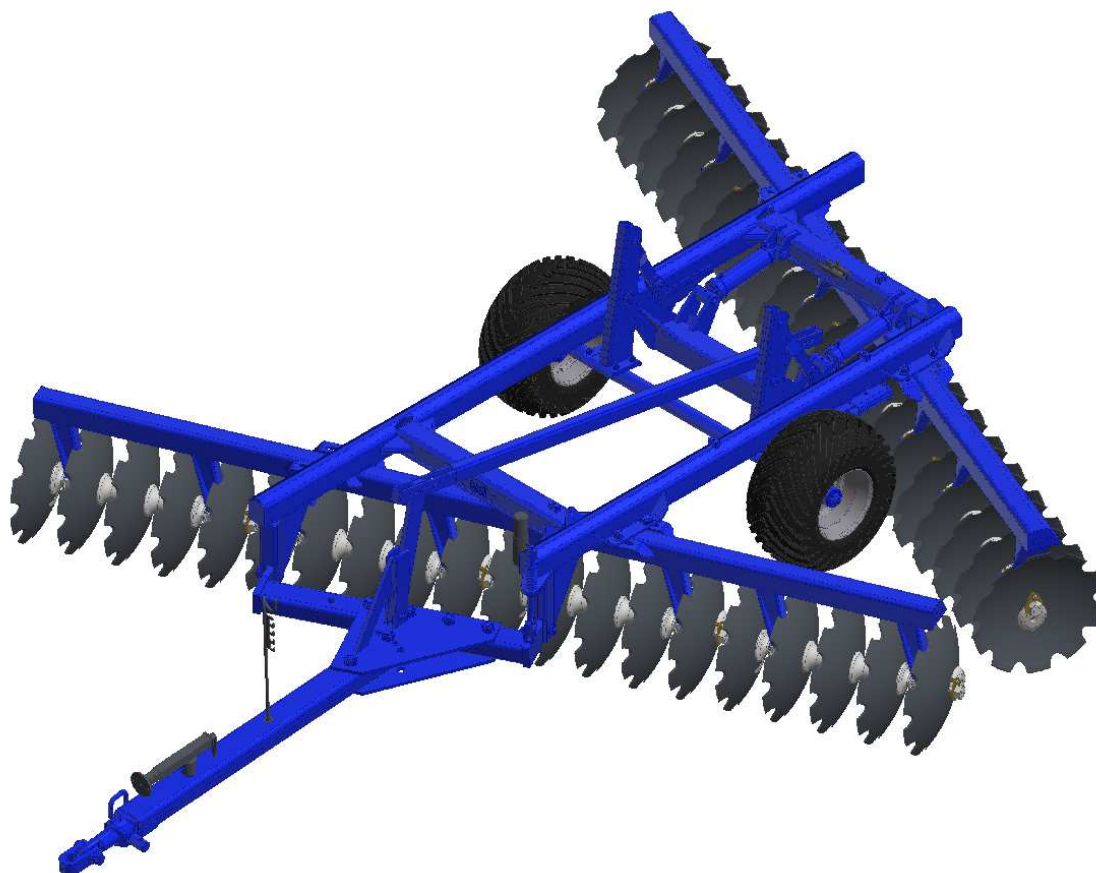
OFFSET DISK HARROW

Code:

0501092767

Product:

GAICR 28/30/32/36/40/44D



Series:

S-1094

Revision:

00

Date Revision:

JULHO/2020

PRODUCTS

Code	Description
0102260158	GAICR 28 X 28 X 7,50 DM RD S-1094
0102260298	GAICR 28 X 28 X 7,50 DM RD S-1094
0102262409	GAICR 30 X 26 X 7,50 DM DR S-1094
0102262406	GAICR 30 X 28 X 6,00 DM S-1094
0102260164	GAICR 30 X 28 X 7,5 DM PN 11L15 S-1094
0102260159	GAICR 30 X 28 X 7,50 DM S-1094
0102260251	GAICR 30 X 28 X 7,50 DM RD S-1094
0102260077	GAICR 32 X 26 X 6,00 CM S-1094
0102260295	GAICR 32 X 26 X 6,00 DM S-1094
0102260501	GAICR 32 X 26 X 6,00 DM C/P S-1094
0102260430	GAICR 32 X 28 X 6,00 DM S-1094
0102260279	GAICR 32 X 28 X 7,5 DM C/P SA S1094
0102260290	GAICR 32 X 28 X 7,50 CM S-1094
0102260078	GAICR 32 X 28 X 7,50 CM S-1094
0102260302	GAICR 32 X 28 X 7,50 DM S-1094
0102260096	GAICR 32 X 28 X 7,50 DM S-1094
0102260447	GAICR 32 X 28 X 7,50 DM C/P S-1094
0102260097	GAICR 36 X 26 X 6,00 DM S-1094
0102260296	GAICR 36 X 26 X 6,00 DM S-1094
0102260355	GAICR 36 X 28 X 6,00 DM S-1094
0102260353	GAICR 36 X 28 X 7,5 DM C/P SA S1094
0102260303	GAICR 36 X 28 X 7,50 DM S-1094
0102260098	GAICR 36 X 28 X 7,50 DM S-1094
0102260505	GAICR 36 X 28 X 7,50 DM E1.3/4S1094
0102260485	GAICR 40 SEM DISCOS DM C/P S-1094
0102260099	GAICR 40 X 26 X 6,00 DM S-1094
0102260543	GAICR 40 X 28 X 6,0 DM S-1094
0102260082	GAICR 40 X 28 X 7,50 CM S-1094
0102260304	GAICR 40 X 28 X 7,50 DM S-1094
0102260100	GAICR 40 X 28 X 7,50 DM S-1094

ATTENTION: IMPORTANT

Marchesan S.A. reserves the right to improve and / or modify the technical features of its products, without obligation to do the same with those products already sold and without prior knowledge of the dealer or the consumer.



PRODUCTS

0102260305

GAICR 44 X 28 X 7,50 DM S-1094

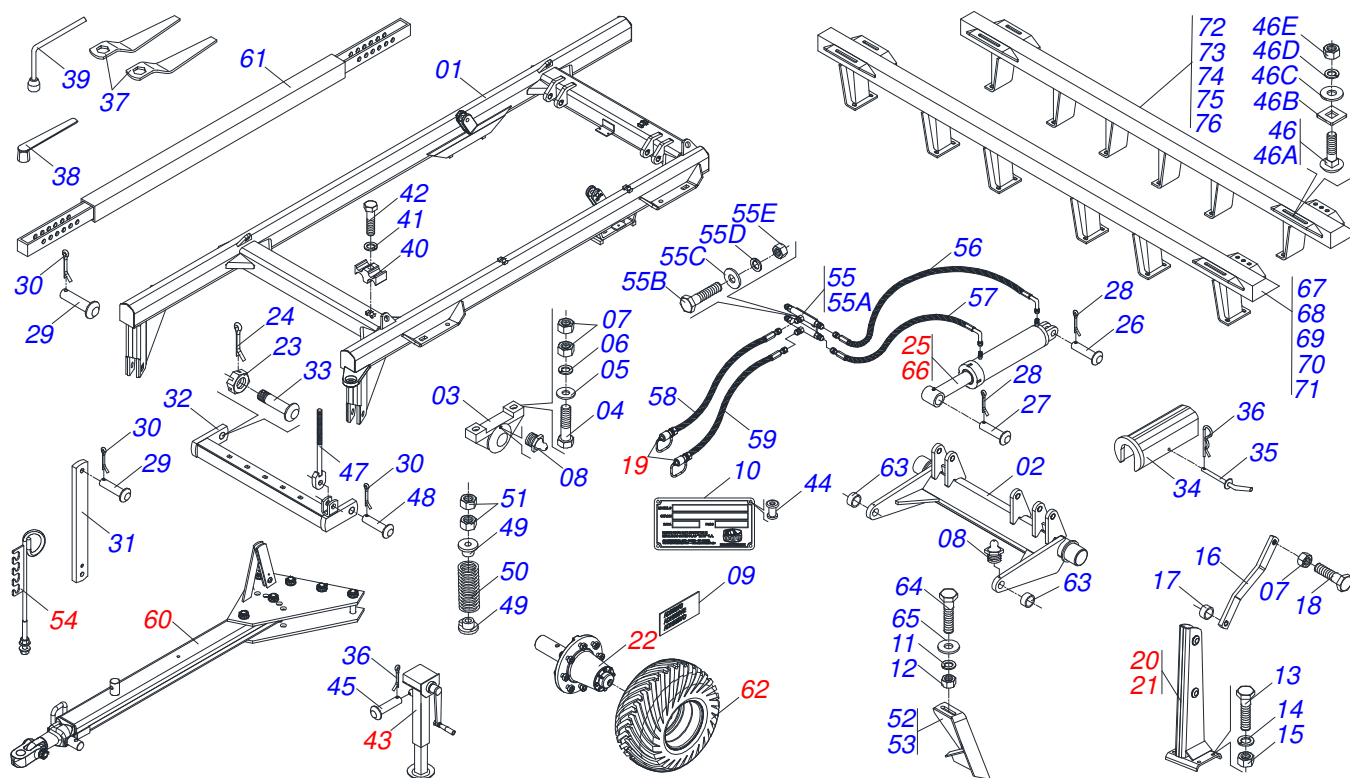
ATTENTION: IMPORTANT

Marchesan S.A. reserves the right to improve and / or modify the technical features of its products, without obligation to do the same with those products already sold and without prior knowledge of the dealer or the consumer.



INDEX

0909099130	ASSY FRAME 28/30/32/36/40/44D	1
0501053834	MALE QUICK COUPLER WITH CAP - 1/2 NPT	2
0501054147	RIGHT SUSPENSION TOWER	3
0501054148	LEFT SUSPENSION TOWER	4
0501047809	3" X 85"STUB SHAFT & HUB ASSY	5
0501046331	HYDRAULIC CYLINDER	6
0511048088	DRAWBAR JACK	7
0503062157	HEADER JACK	8
0501040257	3/4 X 1200 HOSE HOLDER A	9
0501046307	DRAWBAR ASSY	10
0909099129	GANG DISC 28/30/32/36/40/44D	11
0501046925	262 X 1-5/8" OIL BATH BRG ASSY,FG	12
0501046916	262 X 1-5/8" GRESABLE BRG ASSY,FG	13

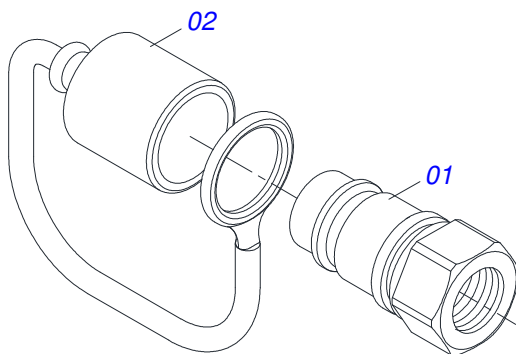


Item	Code	Description	See page	28	30	32	36	40	44
01	0501067290	CENTER FRAME		01	01	01	01	01	01
02	0501067244	WHEELS		01	01	01	01	01	01
03	0502010972	ARTICULACION BEARING		02	02	02	02	02	02
04	0503011432	BOLT		04	04	04	04	04	04
05	0501010065	1" SPRING WASHER		04	04	04	04	04	04
06	0503011438	SPRING WASHER		04	04	04	04	04	04
07	0501010059	1.5/8 NUT		08	08	08	08	08	08
08	0503010002	1800 GREASE FITTING		06	06	06	06	06	06
09	0503060786	SET LABEL ADHESIVE		01	01	01	01	01	01
10	0503034003	SERIAL NUMBER TAG 61 X 118		01	01	01	01	01	01
11	0503010019	1/2" SPRING WASHER		30	32	38	46	54	52
12	0503010060	1/2" NUT		30	32	38	46	54	52
13	0501010125	3/4" X 2-1/2" BOLT		08	08	08	08	08	08
14	0503011442	3/4" SPRING WASHER		08	08	08	08	08	08
15	0503010014	3/4" NUT		08	08	08	08	08	08
16	0501110404	SUPPORT BAR		02	02	02	02	02	02
17	0511019921	1.3" X 0.1" X 1" SLEEVE		01	01	01	01	01	01
18	0503011432	BOLT		02	02	02	02	02	02
19	0501053834	MALE QUICK COUPLER WITH CAP - 1/2 NPT	2	02	02	02	02	02	02
20	0501054147	RIGHT SUSPENSION TOWER	3	01	01	01	01	01	01
21	0501054148	LEFT SUSPENSION TOWER	4	01	01	01	01	01	01
22	0501047809	3" X 85"STUB SHAFT & HUB ASSY	5	02	02	02	02	02	02
23	0501011301	1.1/2 UNC 6FPP 2.5/16 NUT		01	01	01	01	01	01
24	0503010010	1/4" X 2.1/2" COTTERPIN		01	01	01	01	01	01
25	0501046331	HYDRAULIC CYLINDER	6	02	02	02	02	02	02
26	0521010546	1.2" X 5.7" COUPLING SHAFT		02	02	02	02	02	02
27	0521010547	1.2" X 6.5" COUPLING SHAFT		02	02	02	02	02	02
28	0503010523	1/4" X 2" COTTERPIN		05	05	05	05	05	05
29	0521010575	C0.9" X 3.3" COUPLING SHAFT		02	02	02	02	02	02
30	0503010571	1/4" X 1.1/2 COTTERPIN		04	04	04	04	04	04
31	0511013526	STABILIZER BAR TOWER		01	01	01	01	01	01

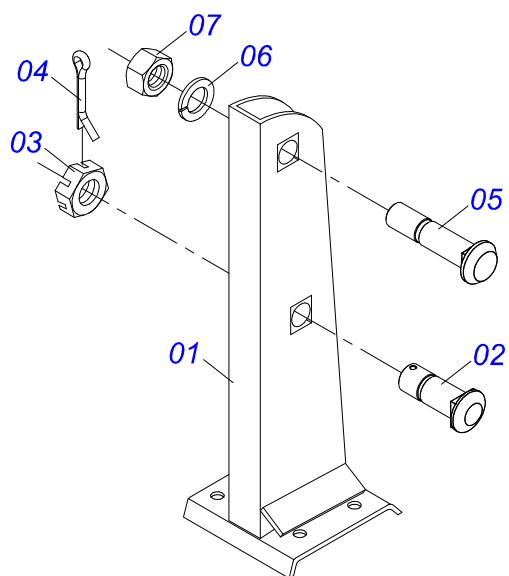


GAICR 28/30/32/36/40/44D
ASSY FRAME 28/30/32/36/40/44D

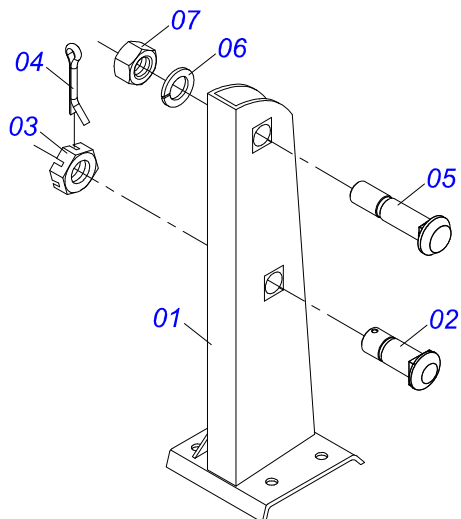
Item	Code	Description	See page	28	30	32	36	40	44
32	0501067241	OFFSET BAR		01	01	01	01	01	01
33	0521017538	11-1/2" X 5" COUPLING SHAFT		02	02	02	02	02	02
34	0501066386	TRANSPORT LOCK 9.54"		02	02	02	02	02	02
35	0501068994	0.3" X 3.1" LOCK PIN		01	01	01	01	01	01
36	0503030168	HAIR PIN		01	01	01	01	01	01
37	0501011431	1-3/4" GANG BOLT WRENCH		02	02	02	02	02	02
38	0501061617	1" GANG BOLT WRENCH		01	01	01	01	01	01
39	0503016140	3/4" WRENCH CABLE CYLINDRICAL		01	01	01	01	01	01
40	0502012702	BODY SUPPORT CLAMP		04	04	04	05	05	05
41	0503010180	7/16" SPRING WASHER		04	04	04	04	04	04
42	0503012555	SCREW 7/16 UNC X 2 CS RT G.7 ZN		04	04	04	04	04	04
43	0511048088	DRAWBAR JACK	7	01	01	01	01	01	00
43.	0503062157	HEADER JACK	8	01	01	01	01	01	01
44	0503010001	3.2 X 5.5 RIVET		04	04	04	04	04	04
45	0521010549	COUPLING SHAFT		01	01	01	01	01	01
46	0501040877	C1" X 3-1/4" ASSY BOLT		08	08	08	08	08	08
46A	0501010171	PARAFUSO 1 UNC X 3.1/2 C S G.5		08	08	08	08	08	08
46B	0502012861	1" SQUARE WASHER		08	08	08	08	08	08
46C	0501010065	1" SPRING WASHER		08	08	08	08	08	08
46D	0503010012	1" SPRING WASHER		08	08	08	08	08	08
46E	0501010059	1.5/8 NUT		08	08	08	08	08	08
47	0501064699	SPRING ROD		01	01	01	01	01	01
48	0521010592	1.1" X 3.1" COUPLING SHAFT		02	02	02	02	02	02
49	0502020394	SPRING SUPPORT		02	02	02	02	02	02
50	0503030441	12.7" X 5.7" X 0.5" SPRING		01	01	01	01	01	01
51	0501010087	1.1/4" NUT		02	02	02	02	02	02
52	0501064168	REAR SCRAPER		09	09	09	11	13	13
53	0501064167	REAR SCRAPER		09	09	09	11	13	13
54	0501040257	3/4 X 1200 HOSE HOLDER A	9	01	01	01	01	01	01
55	0501051611	CONNECTION ASSY		01	01	01	01	01	01
55A	0501068706	DOUBLE CONNECTION		01	01	01	01	01	01
55B	0503010237	3/8" X 1" BOLT		02	02	02	02	02	02
55C	0501010984	FLAT WASHER		02	02	02	02	02	02
55D	0503010025	3/8" SPRING WASHER		02	02	02	02	02	02
55E	0503010026	3/8" NUT		02	02	02	02	02	02
56	0501080054	3/8" X 17" TR-TC HOSE ASSY		02	02	02	02	02	02
57	0501080413	3/8" X 27" TR-TC HOSE		02	02	02	02	02	02
58	0501080458	3/8" X 315" TC-TM HOSE ASSY		01	01	01	01	01	01
59	0501080459	3/8" X 322" TC-TM HOSE ASSY		01	01	01	01	01	01
60	0501046307	DRAWBAR ASSY	10	01	01	01	01	01	01
61	0501067243	STABILIZER BAR		01	01	01	01	01	01
62	0503060005	29.5"X0.63"-10L WHEEL AND TIRE ASSY		02	02	02	02	02	04
63	0521010737	2" X 1.5" X 1.4" SLEEVE		02	02	02	02	02	02
64	0503010740	BOLT 1/2 UNC X 2 CS G.5 ZN		36	32	36	44	52	52
65	0511017302	FLAT WASHER		36	32	36	44	52	52
66	0511059181	HYDRAULIC CYLINDER 50,80X101,60X515X248		01	00	00	00	00	02
67	0501066810	FRONT FRAME		01	00	00	00	00	00
68	0501065161	FRONT FRAME		00	00	01	00	00	00
69	0501065163	FRONT FRAME		00	00	00	01	00	00
70	0501065165	FRONT FRAME		00	00	00	00	01	00
71	0501067030	FRONT FRAME		00	01	00	00	00	00
71.	0501065159	FRONT FRAME		00	00	00	00	00	01
72	0501065162	REAR FRAME		00	00	01	00	00	00
73	0501065164	REAR FRAME		00	00	00	01	00	00
74	0501065166	REAR FRAME		00	00	00	00	01	00
75	0501066811	REAR FRAME		01	00	00	00	00	00
76	0501067031	REAR FRAME		00	01	00	00	00	00
76.	0501065160	REAR FRAME		00	00	00	00	00	01



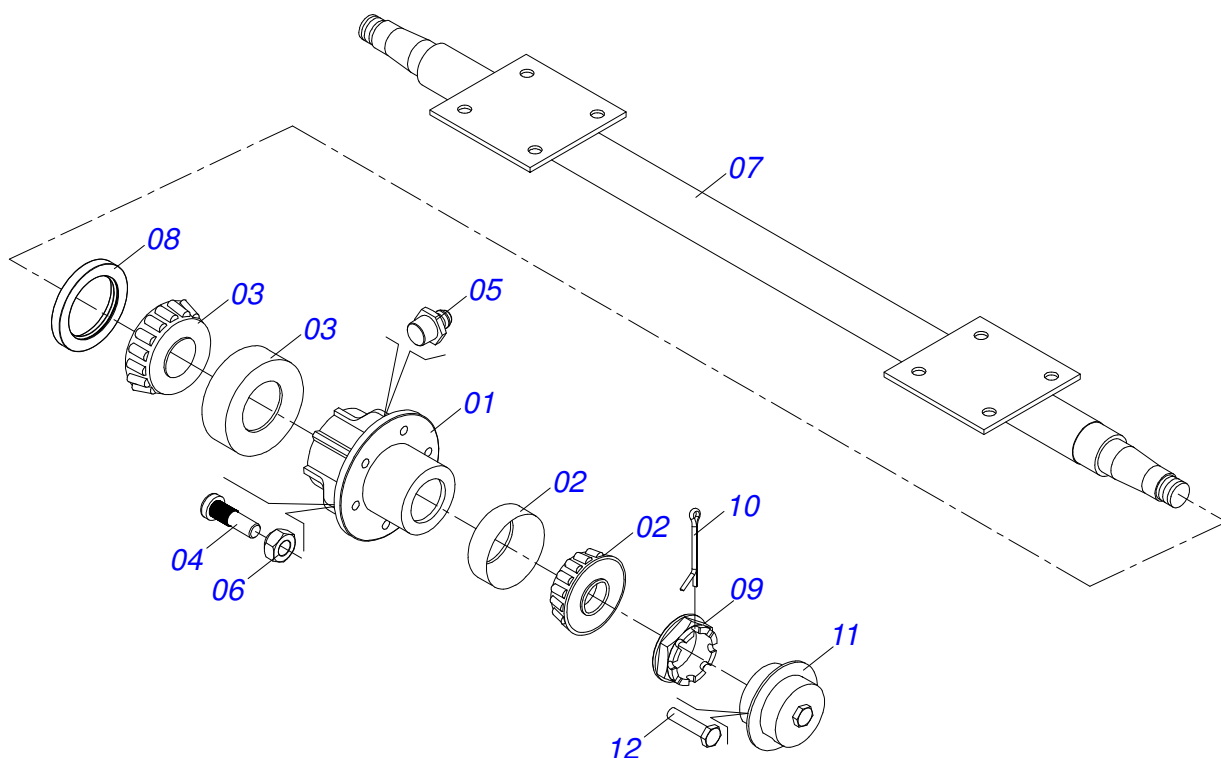
Item	Code	Description	See page	QT
01	0503011627	MALE QUICK COUPLER AGR 1/2 NPT		01
02	0503011882	MALE QUICK COUPLER CAP		01



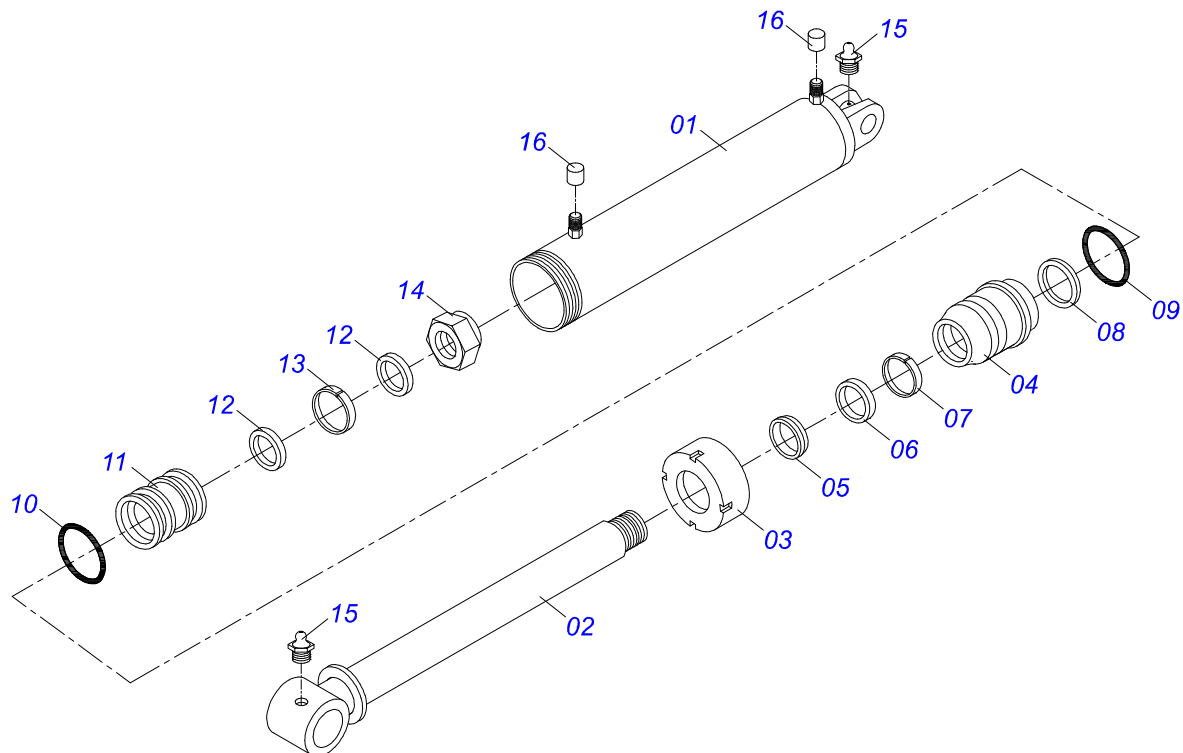
Item	Code	Description	See page	QT
01	0501068260	RIGHT SUSPENSION TOWER		01
02	0511018006	1-1/2 X 4.13" U BOLT OF SUSP TOWER		01
03	0501011301	1.1/2 UNC 6FPP 2.5/16 NUT		01
04	0503010010	1/4" X 2.1/2" COTTERPIN		01
05	0511017974	1 U BOLT OF THE SUSPENSION TOWER		01
06	0503010012	1" SPRING WASHER		01
07	0501010059	1.5/8 NUT		01



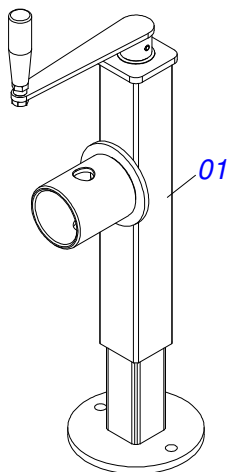
Item	Code	Description	See page	QT
01	0501068261	LEFT SUSPENSION TOWER		01
02	0511018006	1-1/2 X 4.13" U BOLT OF SUSP TOWER		01
03	0501011301	1.1/2 UNC 6FPP 2.5/16 NUT		01
04	0503010010	1/4" X 2.1/2" COTTERPIN		01
05	0511017974	1 U BOLT OF THE SUSPENSION TOWER		01
06	0503010012	1" SPRING WASHER		01
07	0501010059	1.5/8 NUT		01



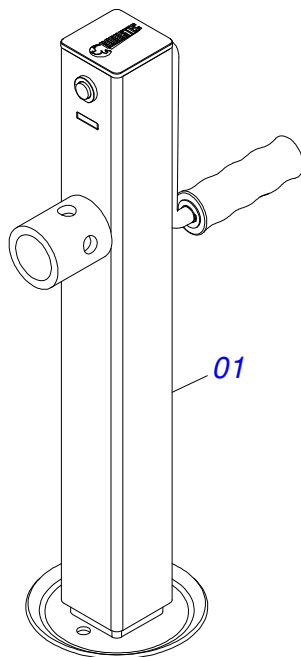
Item	Code	Description	See page	QT
01	0502011389	BOX		02
02	0503010006	32210 ROLLER BEARING		02
03	0503010005	32212 ROLLER BEARING		02
04	0501010186	WHEEL SCREW 5/8UNF X 2.1/8CR		12
05	0503010002	1800 GREASE FITTING		02
06	0503010064	5/8 UNF CONIC NUT		12
07	0501067004	3" X 85" AXLE		01
08	0503011866	SEAL 00573-B WITH HOLE		02
09	0501010888	1.3/4" 2.5/16" CASTLE NUT		02
10	0503010010	1/4" X 2.1/2" COTTERPIN		02
11	0502020593	COVER		02
12	0503010295	SCREW 5/16 UNC X 5/8 CS G.2 ZN		02



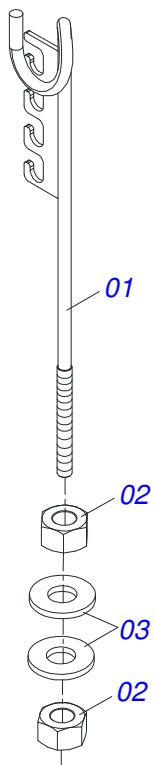
Item	Code	Description	See page	QT
01	0501067256	4" X 16" CYLINDER CASE		01
02	0501067733	2" X 17.5" TURNBUCLE WITH BUSHING		01
03	0502010017	4" HEAD		01
04	0502010778	2" X 4.2" RING SUPPORT		01
05	0503010039	D-2000 SCRAPER RING		01
06	0503010991	1870-2000-375-B GASKET		01
07	0503010952	W2-2250-500 RING		01
08	0503011061	8-342 BACK-UP RING		01
09	0503010338	2-342 N 3006-9B O'RING		01
10	0503010345	2-218 N 3006-9B O'RING		01
11	0502010992	2.0" X 4.0" PISTON		01
12	0503010043	PACKING 3750-3250		02
13	0503010994	W2-4000-500 PK RING G.E		01
14	0503010817	1.1/4" SELF LOCKING NUT		01
15	0503010002	1800 GREASE FITTING		02
16	0503030385	CYLINDER PLUG N-002		02
17	0501031248	HYDRAULIC CYLINDER REPAIR KIT		01



Item	Code	Description	See page	QT
01	0503062227	DRAWBAR JACK		01

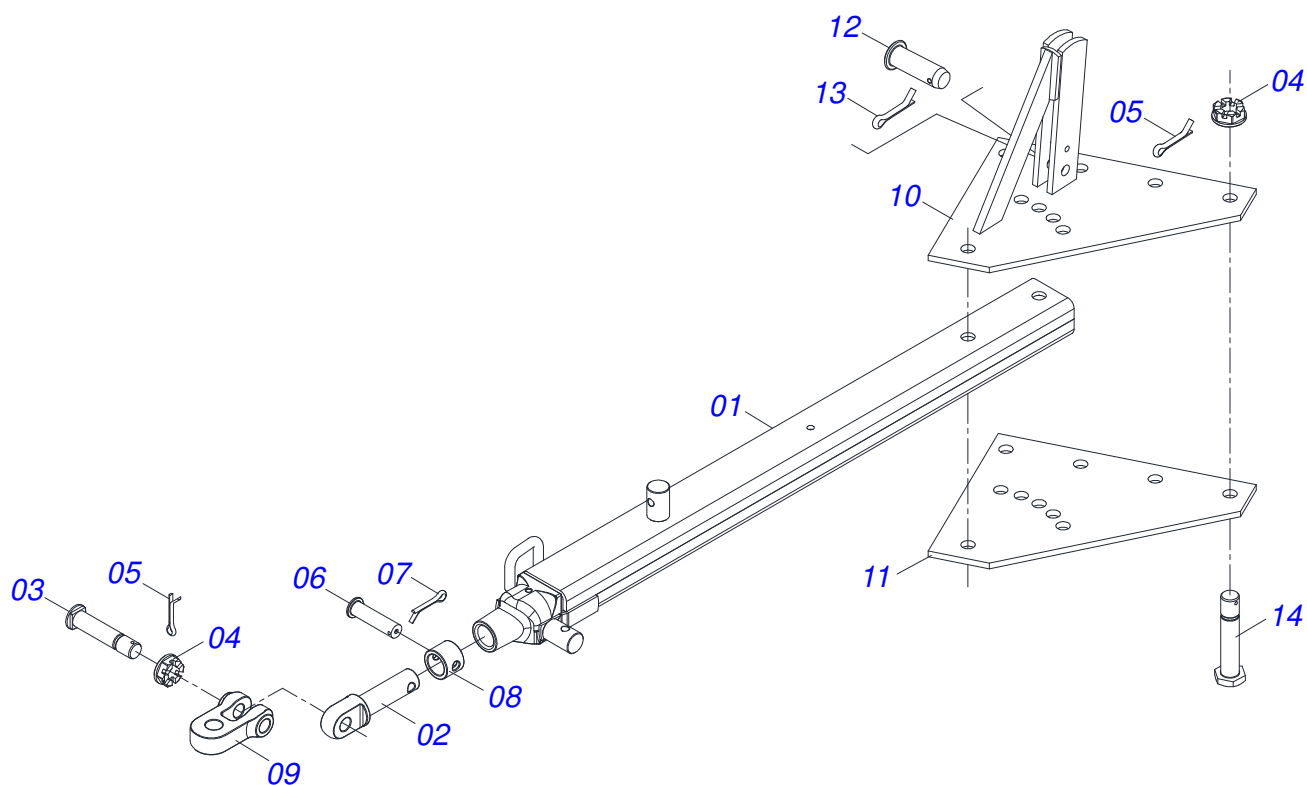


Item	Code	Description	See page	QT
01	0503062157	HEADER JACK	8	01

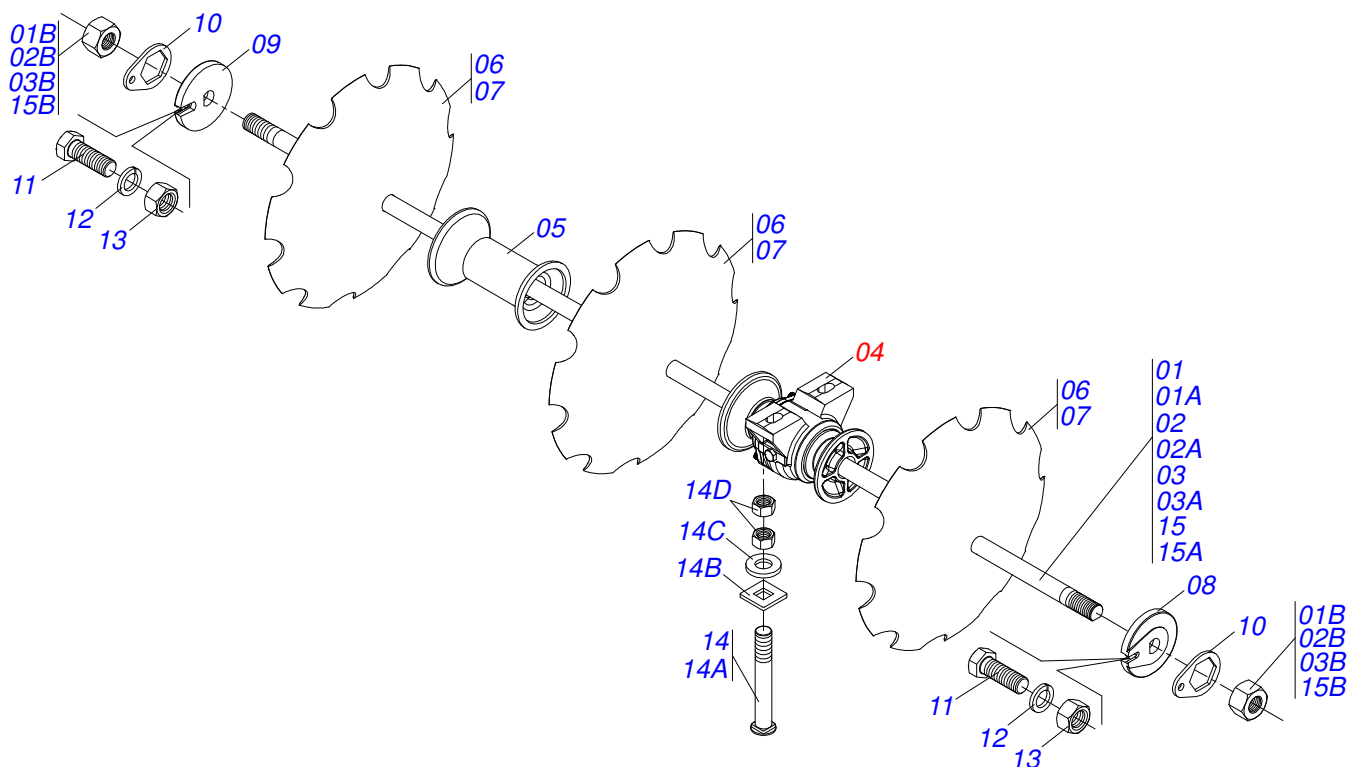


Item	Code	Description	See page	QT
01	0511067334	HOSE SOPPORT ASSY		01
02	0503010014	3/4" NUT		02
03	0501010322	FLAT WASHER		02

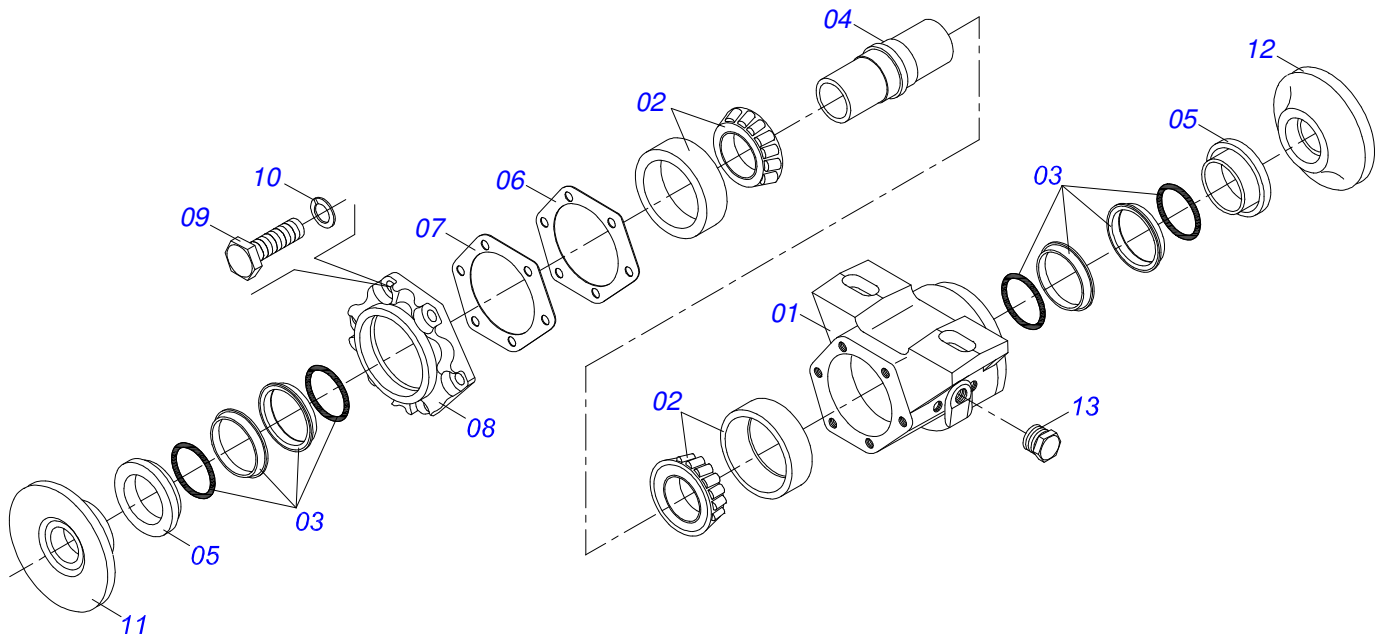
DRAWBAR ASSY



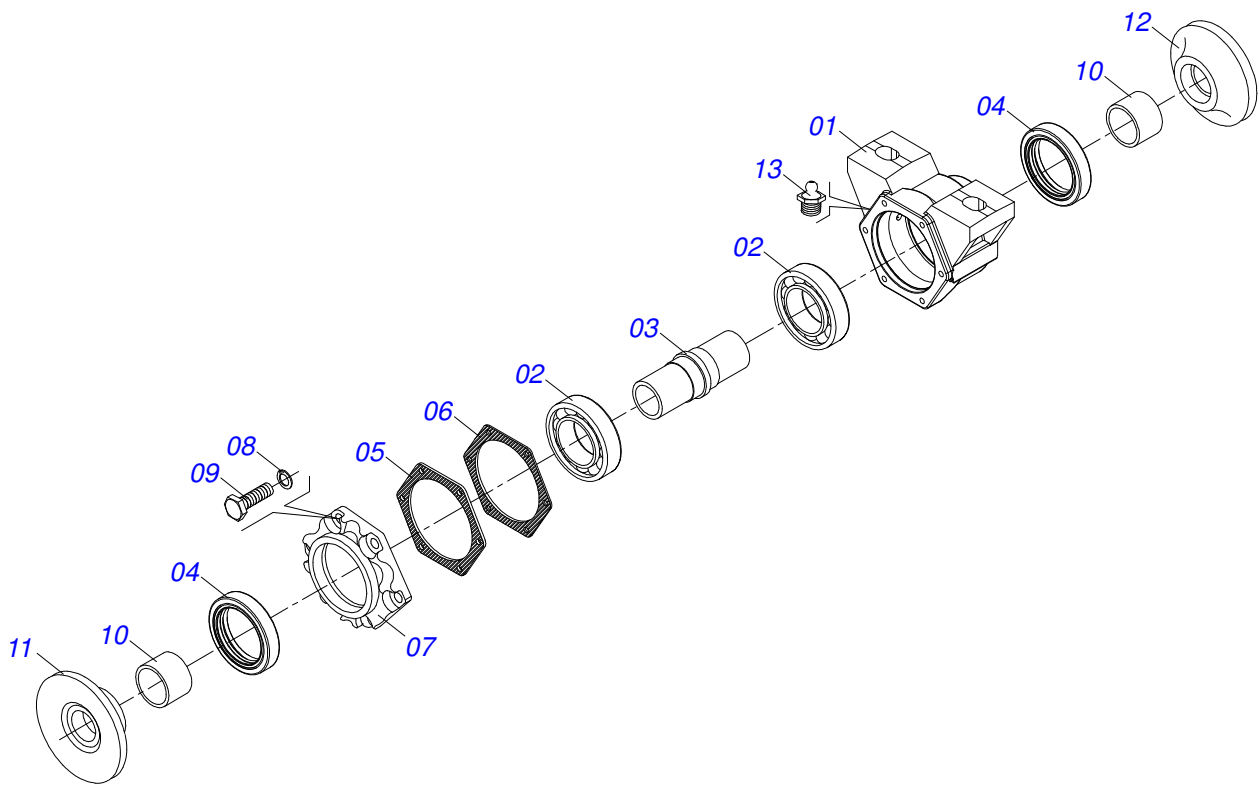
Item	Code	Description	See page	QT
01	0501069323	DRAWBAR ASSY		01
02	1902040223	PIN HITCH		01
03	0521012545	COUPLING SHAFT		01
04	0501011301	1.1/2 UNC 6FPP 2.5/16 NUT		07
05	0503010010	1/4" X 2.1/2" COTTERPIN		07
06	0511014902	COUPLING SHAFT		01
07	0503010571	1/4" X 1.1/2 COTTERPIN		01
08	1902040327	LOCK SLEEVE		01
09	1902040732	COUPLING		01
10	0501067250	UPPER PLATE WITH SUPPORT		01
11	0511016137	UPPER /LOWER PLATE		01
12	0521010779	31.75 X 95 COUPLING SHAFT		01
13	0503010523	1/4" X 2" COTTERPIN		01
14	0501016419	1-1/2" X 7.5" BOLT		06



Item	Code	Description	See page	28	30	32	36	40	44
01	0501046859	1-5/8" X 70" AXLE WITH NUTS 2-3/4"		04	00	00	00	00	00
01A	0501015631	1-5/8" X 70" AXLE		01	00	00	00	00	00
01B	0502840640	1.5/8" 2.3/4" NUT		02	00	00	00	00	00
02	0501046854	1-5/8" X 48" AXLE WITH NUTS 2-3/4		00	00	04	00	08	04
02A	0501019016	1-5/8 X 48" AXLE		00	00	01	00	01	01
02B	0502840640	1.5/8" 2.3/4" NUT		00	00	02	00	02	02
03	0501046856	1-5/8" X 59" AXLE WITH NUTS 2-3/4		00	00	02	06	00	04
03A	0501019012	1-5/8" X 59" AXLE		00	00	01	01	00	01
03B	0502840640	1.5/8" 2.3/4" NUT		00	00	02	02	00	02
04	0501046925	262 X 1-5/8" OIL BATH BRG ASSY,FG	12	08	12	12	12	16	16
04.	0501046916	262 X 1-5/8" GRESABLE BRG ASSY,FG	13	00	00	12	00	16	00
05	0502010703	10.35" 1-5/8" SPACER		16	12	14	18	16	00
05.	0502010626	8.9" 1-5/8" SPACER		00	00	00	00	00	20
06	0602033005	26" X 0.2" NOTCHED DISC BLADE		28	00	16	18	20	00
06.	0602033167	DR26X7,5 C98AF04FR1.11/16 10R		00	30	00	00	00	00
07	0602037006	DR28X7,5 C102AF04FR1.11/16 10R TATU		28	30	32	36	40	44
07.	0602037004	28" X 0.2" NOTCHED DISC BLADE		00	30	02	06	00	00
08	0502011048	1-5/8" EXTERNAL AXLE WASHER		04	06	06	06	08	08
09	0502011047	1-5/8" INNER AXLE WASHER		04	06	06	06	08	08
10	0511014339	1-5/8" 2.8" NUT LOCK		08	12	12	12	16	16
11	0503011267	BOLT 5/8 UNC X 1.1/2 C S G.5 ZN		08	12	12	12	16	16
12	0503010027	5/8" SPRING WASHER		08	12	12	12	16	16
13	0503010013	5/8" NUT		08	12	12	12	16	16
14	0511040034	3/4" X 3-1/4" BOLT ASSY		16	24	24	24	32	32
14A	0501017303	3/4" X 3-1/4" BOLT		16	24	24	24	32	32
14B	0501010949	3/4" SQUARE WASHER		16	24	24	24	32	32
14C	0501010322	FLAT WASHER		16	24	24	24	32	32
14D	0503010014	3/4" NUT		16	24	24	24	32	32
15	0501046854	1-5/8" X 48" AXLE WITH NUTS 2-3/4		00	06	00	00	00	00
15A	0501019016	1-5/8 X 48" AXLE		00	01	00	00	00	00
15B	0502040640	1.5/8" 2.3/4" NUT		00	02	00	00	00	00



Item	Code	Description	See page	QT
01	0502020481	HOUSING DM		01
02	0503010005	32212 ROLLER BEARING		02
03	0503030027	DUO-CONE SEAL		02
04	0502010900	BEARING AXLE		01
05	0502010735	SEAL RETAINER		02
06	0503030030	5.6" X 4.4" X 0.01" GASKET		02
07	0503030685	5.5" X 4.4" X 0.003" GASKET		02
08	0502020161	WEAR PLATE BEARING		01
09	0503010237	3/8" X 1" BOLT		06
10	0503011443	3/8" SPRING WASHER		06
11	0502040239	OUTER FLANGE		01
12	0502040240	INNER FLANGE		01
13	0503010856	OIL PLUG		01



Item	Code	Description	See page	QT
01	0502020479	BEARING HOUSING, FG		01
02	0503010005	32212 ROLLER BEARING		02
03	0502010900	BEARING AXLE		01
04	0503010087	02017-GB GREASE SEAL		02
05	0503030030	5.6" X 4.4" X 0.01" GASKET		03
06	0503030685	5.5" X 4.4" X 0.003" GASKET		02
07	0502020523	BEARING CAP		01
08	0503011443	3/8" SPRING WASHER		06
09	0503010237	3/8" X 1" BOLT		06
10	0502040591	SPACING BUSHING		02
11	0502040239	OUTER FLANGE		01
12	0502040240	INNER FLANGE		01
13	0503010002	1800 GREASE FITTING		01



www.marchesan.com.br



Technical Publications | Elaboration and Revision
LORENA ROCHA ALVES