

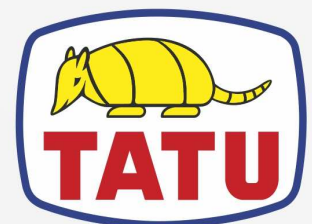
HIGH SPEED DISK

TATU SPEED DISK - 96 DISCS
TATU SPEED DISK - 96 DISCOS

Code: 0501092758
Series: S-0520
Revision: 00
Revision Date: SEPTEMBER/2024

PARTS

CATALOGUE



MARCHESAN



PRODUCTS

Code	Working Width	Description
0102580026		TATU SPEED DISK 96 X 20 X 6,00 DLCP RD S-0520
0102580025		TATU SPEED DISK 96 X 20 X 6,00 DRCP RD S-0520
0102580027		TATU SPEED DISK 96 X 20 X 6,00 MTCP RD S-0520
0102580029		TATU SPEED DISK 96 X 22 X 6,00 DLCP RD S-0520
0102580028		TATU SPEED DISK 96 X 22 X 6,00 DRCP RD S-0520
0102580030		TATU SPEED DISK 96 X 22 X 6,00 MTCP RD S-0520

ATTENTION: IMPORTANT

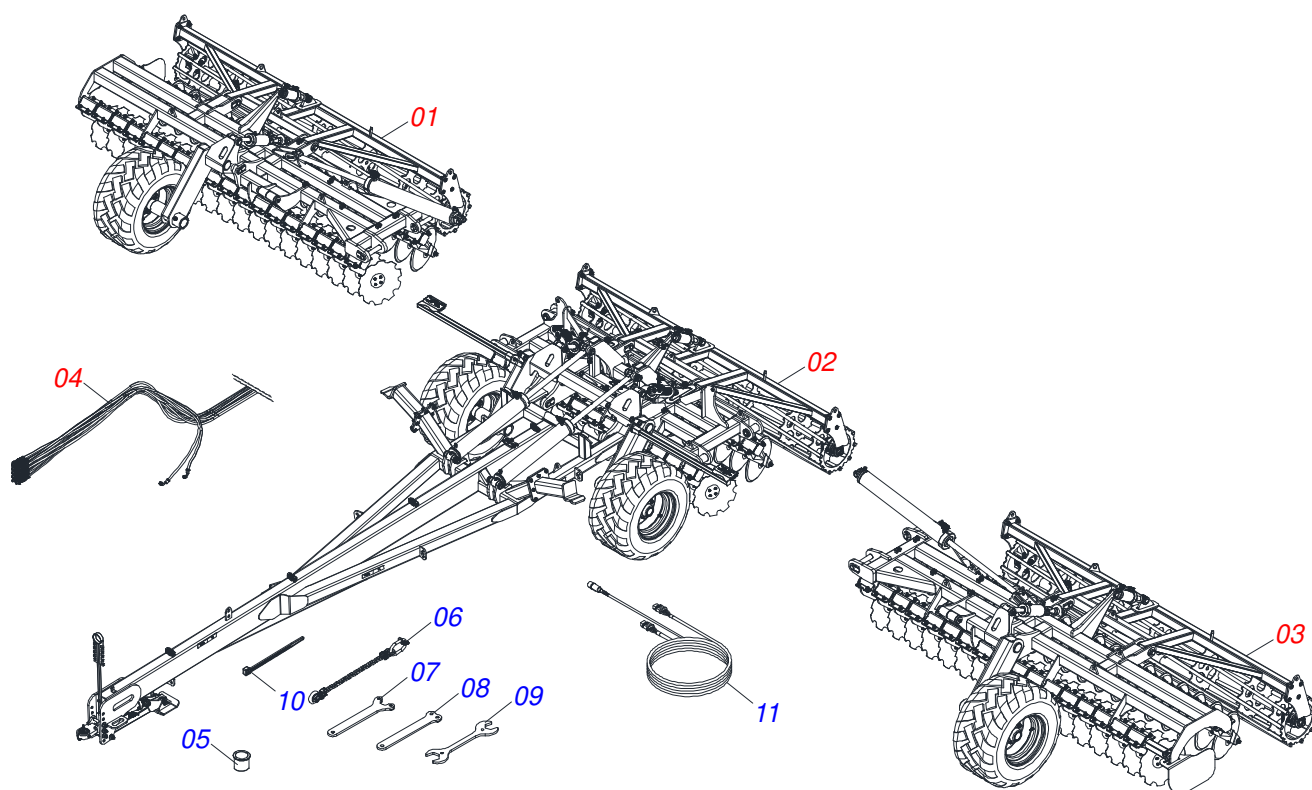
Marchesan S.A. reserves the right to improve and/or modify the technical features of its products, without obligation to do the same with those products already sold and without prior knowledge of the dealer or the customer. The photos are only illustrative.



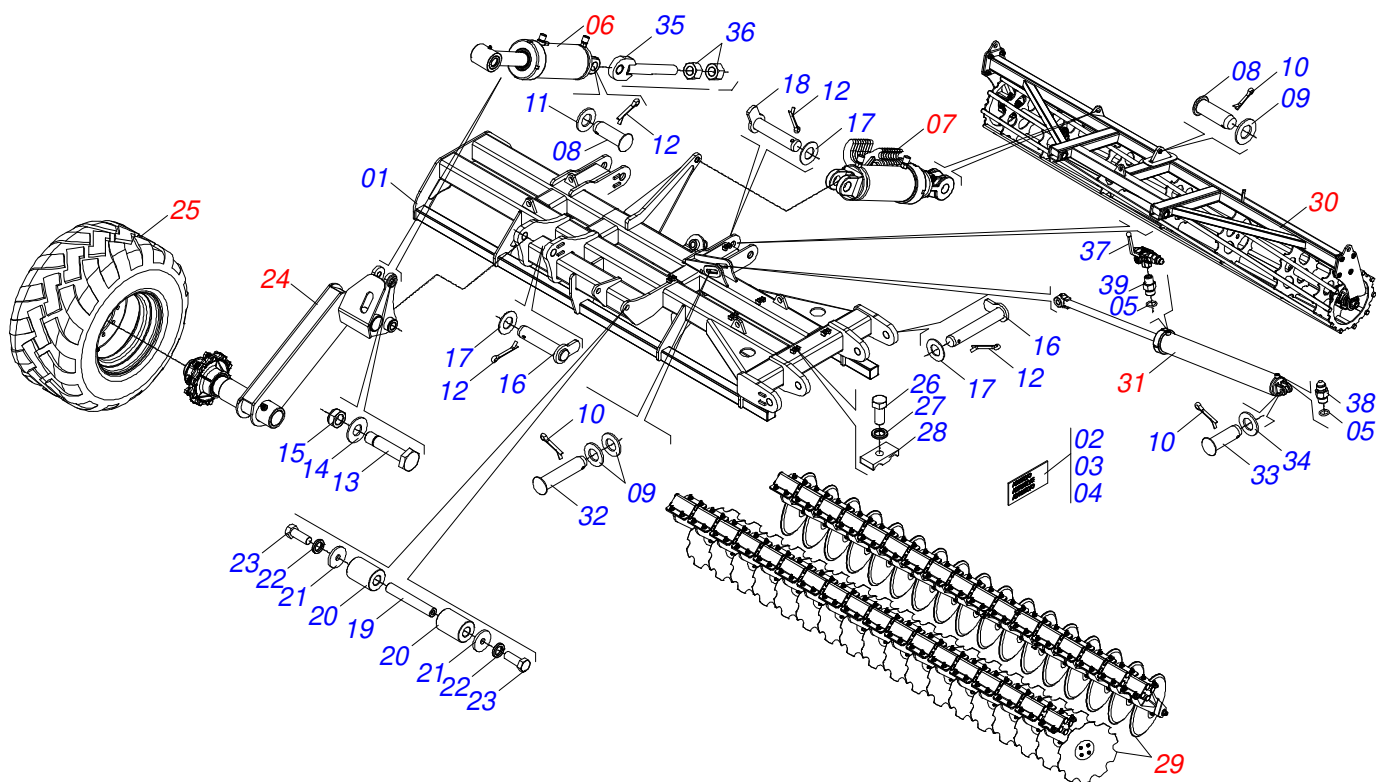
MARCHESAN

INDEX

0909099047	FRAME ASSY	1
0909099048	RIGHT HAND FRAME ASSY	2
0521058062	HYDRAULIC CYLINDER 2" X 4 . 1/2 X 475 X 165	3
0531040071	2" X 4" X 16.90" X 4.50" HYDRAULIC CYLINDER	4
0531040113	RIGHT HAND WHEEL ASSY WITH HUB 72/108	5
0521049580	WHEEL HUB ASSY 25-45FT	6
0503062563	WHEELS AND TIRE 600/50-22.5 16L	7
0909099059	FRONT SHANK ASSY	8
0909099063	RIGHT SIDE DISC ASSY	8
0909099036	FRONT SHANK ASSY (JUNCTION)	9
0909099060	REAR SHANK ASSY	10
0909099037	REAR SHANK ASSY (JUNCTION)	11
0531058997	COMPLETE DISC FIXING HUB	12
0531040068	CAGE ROLLER ASSY 40-45FT (4328)	13
0521047185	SWIVEL OIL BATH BEARING 192.5 X 1.1 / 2	14
0521050838	SWIVEL OIL BATH BEARING 192.5 X 1.1 / 2	15
0511045827	HYDRAULIC CYLINDER 2" X 5" X 1292 X 933	16
0909099049	ASSY CENTRAL FRAME	18
0909099053	MAIN FRAME SEMI-MOUNTED	19
0531040067	CAGE ROLLER ASSY 35-40FT (4010)	20
0909099064	CENTRAL DISC ASSY	21
0909099054	ASSY HEADER	22
0521049934	TRACTOR HITCH	23
0531041139	COMPLETE REST 900	24
0531041138	HYDRAULIC CYLINDER 50.80 X 127 X 436 X 105	25
0521049463	RIGHT HAND SAFETY VALVE	26
0521056650	OPERATOR'S MANUAL STORAGE TUBE ASSY	27
0531040100	CENTRAL WHEEL ASSY WITH HUB	28
0531040074	RIGHT HYDRAULIC CYLINDER 53,98 X 127 X 475 X 165	29
0531040073	LEFT HYDRAULIC CYLINDER 53,98 X 127 X 475 X 165	30
0521049464	LEFT HAND SAFETY VALVE	31
0521049462	2.1/2" X 5.7/8" HYDRAULIC CYLINDER	32
0531040330	RIGHT TAIL LIGHT SUPPORT 35-45FT (1505)	33
0531040331	LEFT HEADLIGHT SUPPORT 35-45FT (1505)	34
0909099050	LEFT HAND FRAME ASSY	35
0531040867	ASSY SUPPORT	36
0531040114	LEFT HAND WHEEL ASSY WITH HUB	37
0909099066	LEFT SIDE DISC ASSY	38
0909099069	HYDRAULIC CIRCUIT ASSY	39
0909099068	HOSE ASSY	40
0531051662	PIN QUICK HITCH	41
0909099074	LANTERN WHIP 6500 60/72 DISCS	42



Item	Code	Description	See page	QT
01		RIGHT HAND FRAME ASSY	2	
02		ASSY CENTRAL FRAME	18	
03		LEFT HAND FRAME ASSY	35	
04		HYDRAULIC CIRCUIT ASSY	39	
05	0591013448	SLEEVE 65,50 X 78 X 76 (PIN 2.1/2")		01
06	0503019848	SAFETY CHAIN		01
07	0531060926	WRENCH PIN 50MM		01
08	0531060925	WRENCH PIN 25MM		01
09	0541015451	WRENCH 2.3/8 X 2.3/4		01
10	0503013100	NYLON CLAMP 4,8 X 1,3 X 200 MM		01
11	0503035288	WIRE HARNESS 9000 35-45FT		01



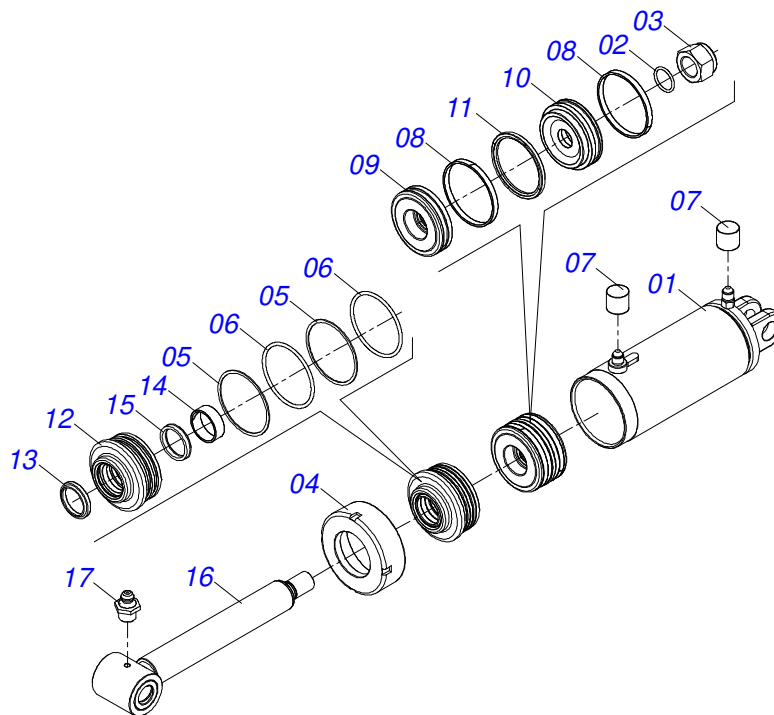
Item	Code	Description	See page	QT
01	0531060705	RIGHT SIDE FRAME 35 DISCS 40FT		01
02	0503031896	DANGER DECAL		01
03	0503034078	LIFTING POINTS DECAL		04
04	0503034953	TATU SPEED DISK DECAL		01
05	0503010190	2-114 N 3006-9B O'RING		02
06	0521058062	HYDRAULIC CYLINDER 2" X 4 . 1/2 X 475 X 165	3	01
07	0531040071	2" X 4" X 16.90" X 4.50" HYDRAULIC CYLINDER	4	01
08	0521010779	31.75 X 95 COUPLING SHAFT		03
09	0501017779	FLAT WASHER 32 X 60 X 4,75		04
10	0503010523	1/4 X 2 SPLIT PIN		04
11	0591010852	52 X 100 X 4.75 FLAT WASHER		01
12	0503010073	3/8" X 3.1/2" SPLIT PIN		06
13	0581018185	1.1/4" UNF BOLT		01
14	0501011280	FLAT WASHER 32,50 X 75 X 4,75		01
15	0503010044	SELF LOCKING NUT 1.1/4 UNF G.5 ZN		01
16	0531060058	AXLE JOINT 339 (HOLE 319)		03
17	0591010852	52 X 100 X 4.75 FLAT WASHER		05
18	0531060468	JUNCTION AXLE 226 (HOLE 206)		02
19	0591010853	38.1 X 285 FIXING SHAFT		01
20	0591010854	SIDE FRAME SUPPORT		02
21	0571018839	20 X 75 X 8 FLAT WASHER		02
22	0503010023	3/4" SPRING WASHER		02
23	0501010098	BOLT 3/4" UNC X 2 C S G.5 ZN		02
24	0531040113	RIGHT HAND WHEEL ASSY WITH HUB 72/108	5	01
25	0503062563	WHEELS AND TIRE 600/50-22.5 16L	7	01
26	0503011135	BOLT 7/16" UNC X 1.1/2" C S G.5 ZN		06
27	0503010180	7/16" SPRING WASHER		06
28	0502010477	HOSE CLAMP		06
29		RIGHT SIDE DISC ASSY	8	
30	0531040068	CAGE ROLLER ASSY 40-45FT (4328)	13	01
31	0511045827	HYDRAULIC CYLINDER 2" X 5" X 1292 X 933	16	01
32	0521010547	1.2" X 6.5" COUPLING SHAFT		01



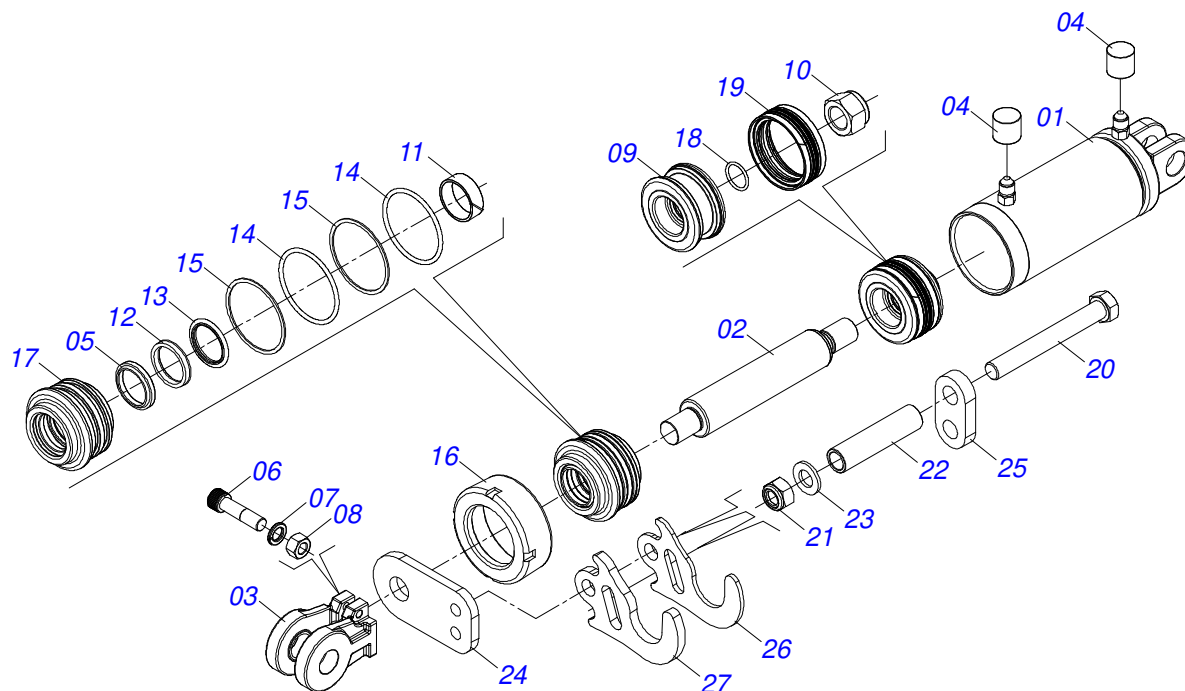
TATU SPEED DISK - 96 DISCS
RIGHT HAND FRAME ASSY

Page 2
0909099048

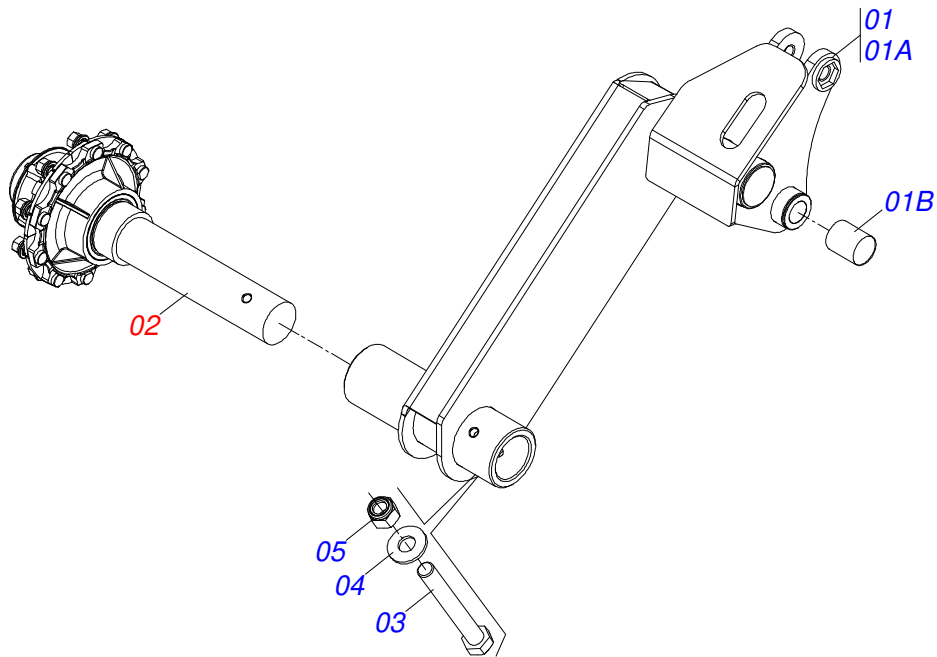
Item	Code	Description	See page	QT
33	0521012538	1.2" X 3.5" COUPLING SHAFT		01
34	0501019435	32 X 50 X 1.5 FLAT WASHER		01
35	0531061314	HYDRAULIC CYLINDER ADJUSTING SPINDLE		01
36	0501010110	1.1/2 NC 6FPP 2.3/8 HEXAGONAL NUT		02
37	0521049463	RIGHT HAND SAFETY VALVE	26	01
38	0501010617	NIPLE 3/4" NF X 3/4" NF HEX. 7/8" X 44		01
39	0503034943	3/4" UNF NIPPLE		01



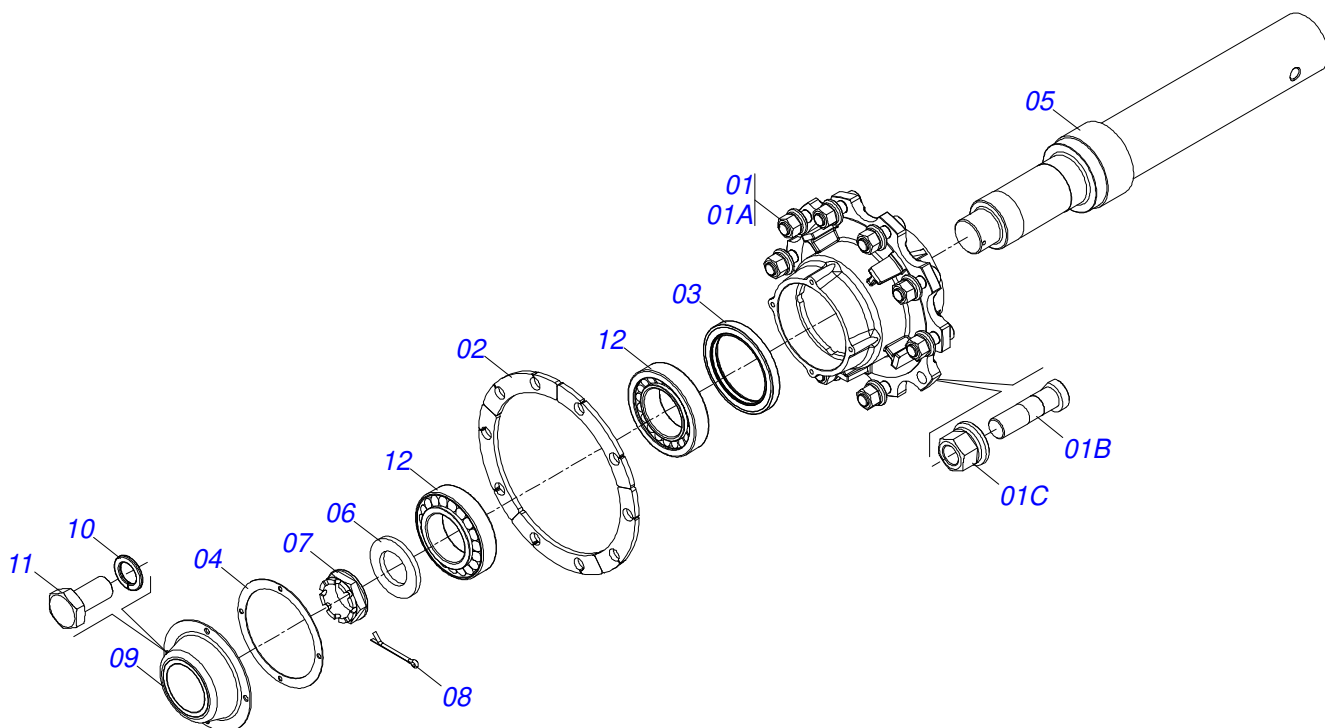
Item	Code	Description	See page	QT
01	0531060931	CYLINDER CASE 114,30 X 283		01
02	0503010345	2-218 N 3006-9B O'RING		01
03	0503010817	1.1/4" SELF LOCKING NUT		01
04	0502011222	END CAP 4 . 1/2"		01
05	0503011893	BACK-UP RING, 8-346		02
06	0503011892	O' RING, 2-346 N 3006-9B		02
07	0503030384	PLUG N-001		02
08	0503017881	RING GUIDE GPU000139		02
09	0581012603	PISTON 114.30 BP		01
10	0581012604	PISTON 114.30 BP		01
11	0503018652	SEAL AX5002+2241 (114,30X98,02X7,90)		01
12	0591010122	RING SUPPORT 2" X Ø4 . 1/2"		01
13	0503015636	SCRAPER SEAL		01
14	0503018025	RING GUIDE W2-2250-750		01
15	0503018026	GASKET 1870-2000-375 B POLYMAX		01
16	0531060932	TURNBUCKLE 50,80 X 407 X 354		01
17	0503010002	1800 GREASE FITTING		01
18	0511033700	ASSY REPAIR KIT CYLINDER 2" X 4 . 1/2"		01



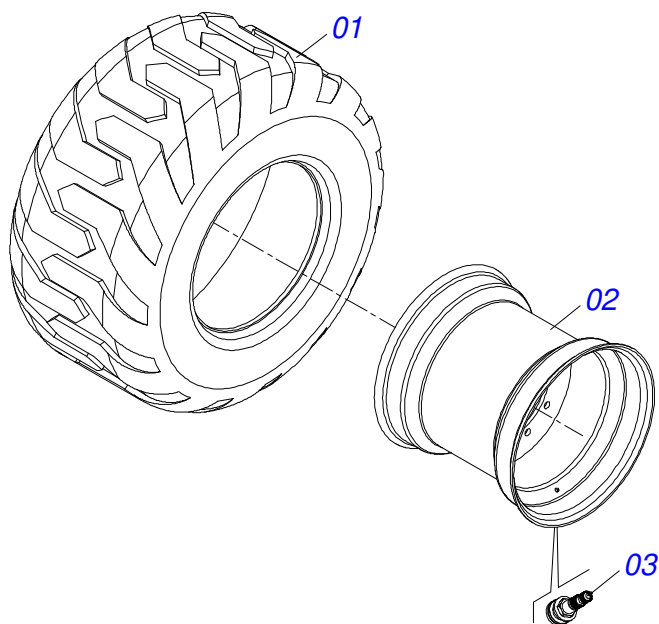
Item	Code	Description	See page	QT
01	0531060927	CYLINDER CASE 101,60 X 230		01
02	0591013802	HYDRAULIC CYLINDER TURNBUCKLE 50,80 X 313,50		01
03	0502040747	32.54 CLEVIS CLAMP		01
04	0503030384	PLUG N-001		02
05	0503010039	D-2000 SCRAPER RING		01
06	0503011094	BOLT 3/8" UNC X 2" C C S I 12.9		01
07	0503011443	SPRING WASHER 3/8"		01
08	0503010026	3/8" NUT		01
09	0502012820	2" X 4" PISTON		01
10	0503010817	1.1/4" SELF LOCKING NUT		01
11	0503018025	RING GUIDE W2-2250-750		01
12	0503018026	GASKET 1870-2000-375 B POLYMAX		01
13	0503018024	RING BS OD050805200171D-BR		01
14	0503010338	2-342 N 3006-9B O'RING		02
15	0503011061	8-342 BACK-UP RING		02
16	0502012822	END CAP 4"		01
17	0502012821	2" X 4" RING SUPPORT		01
18	0503018029	O'RING 2-217 N 3006 90B		01
19	0503015633	SELEMASTER SEALING		01
20	0501013867	BOLT 5/8" UNC X 6 CS G.5 ZN		02
21	0503013389	5/8" SELF LOCKING NUT		02
22	0591010848	16 X 22 X 103 BUSHING		02
23	0501010301	FLAT WASHER 16 X 29,50 X 3,00		02
24	0591010844	ROD STOP SUPPORT		01
25	0591010870	ROD STOP PIN ANCHOR		01
26	0591013800	ROD STOP		08
27	0591010847	ROD STOP, 179		04
28	0511032211	CYLINDER REPAIR KIT 2" X 4"		01



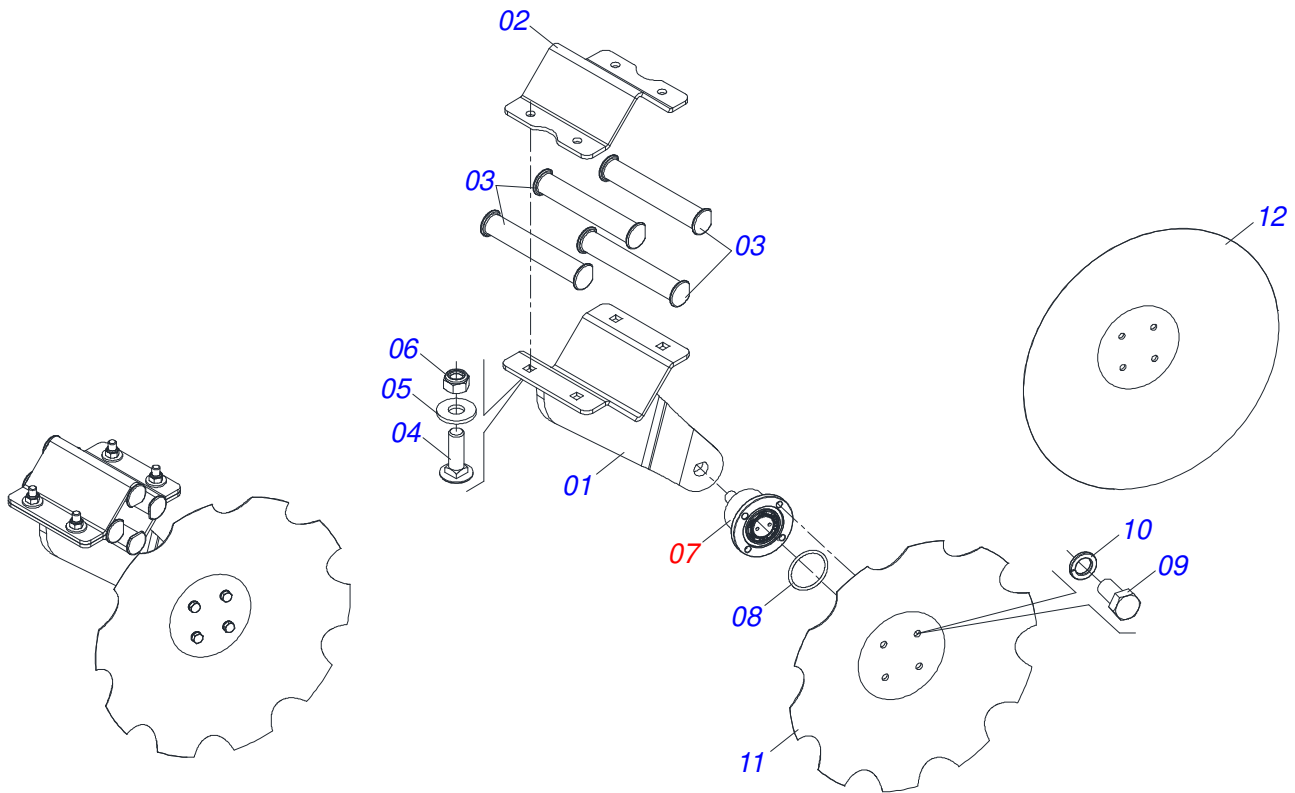
Item	Code	Description	See page	QT
01	0521058056	WHEEL RIGHT SIDE		01
01A	0531060918	RIGHT SIDE CARRYING-WHEELS		01
01B	0503019271	SELF LUBRICATING BUSHING		02
02	0521049580	WHEEL HUB ASSY 25-45FT	6	01
03	0501013475	BOLT 3/4" UNC X 7.1/2" C S G.5 ZN		01
04	0501010104	FLAT WASHER 45 X 20 X 4		01
05	0503011075	3/4 UNC LOCK NUT		01



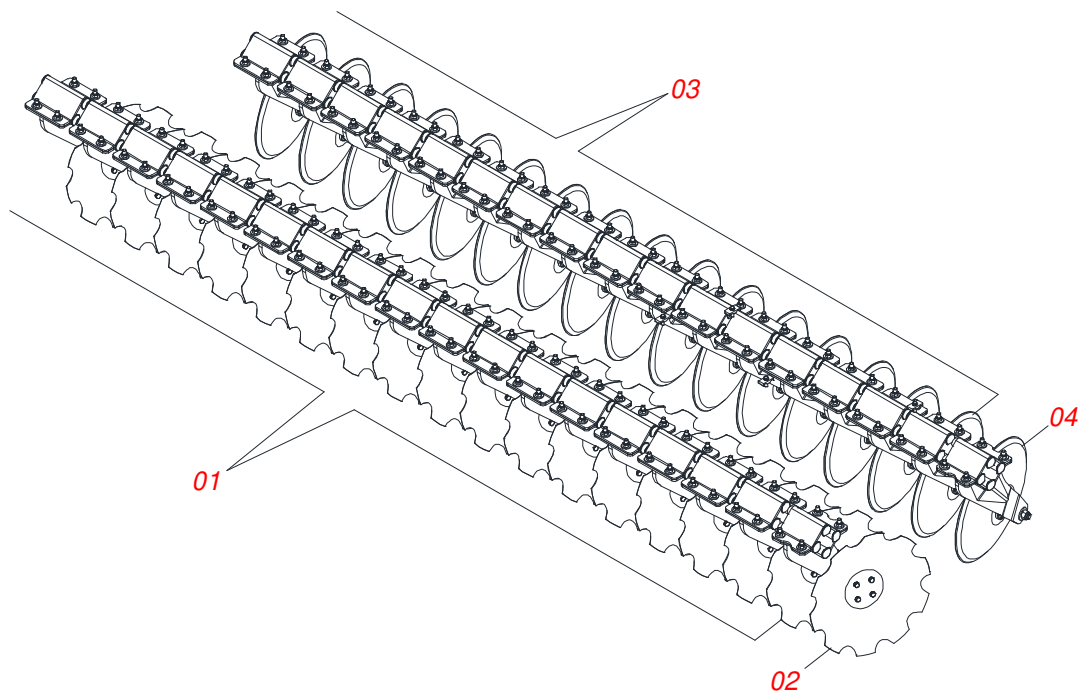
Item	Code	Description	See page	QT
01	0501110761	CARRYING-WHEEL HUB WITH BOLT 25-45FT		01
01A	0502012462	WHEEL HUB		01
01B	0503014050	BOLT M22 X 1,5 X 77/87 188RT		10
01C	0503014048	HEX NUT M22 X 1,5" CH 32 X 33,5		10
02	0561015521	FLANGE WHEEL HUB		05
03	0503013541	REAR RETAINER 0310-BG AR22 1G25356		01
04	0503013548	JOINT CORK CR4F		01
05	0571014258	SPINDLE 25-45FT		01
06	0531019986	64 X 110 X 9.5 FLAT WASHER		01
07	0502040080	FLANGE NUT R.2.1/2" UN		01
08	0503012213	1/4" X 4" SPLIT PIN		01
09	0503013549	HUB COVER		01
10	0503013542	M10 SPRING WASHER		04
11	0503013546	BOLT SX MA5,8 M10X1,5X20ZA DI		04
12	0503013243	32218 ROLLER BEARING		02
13	1882970002	GREASE		01



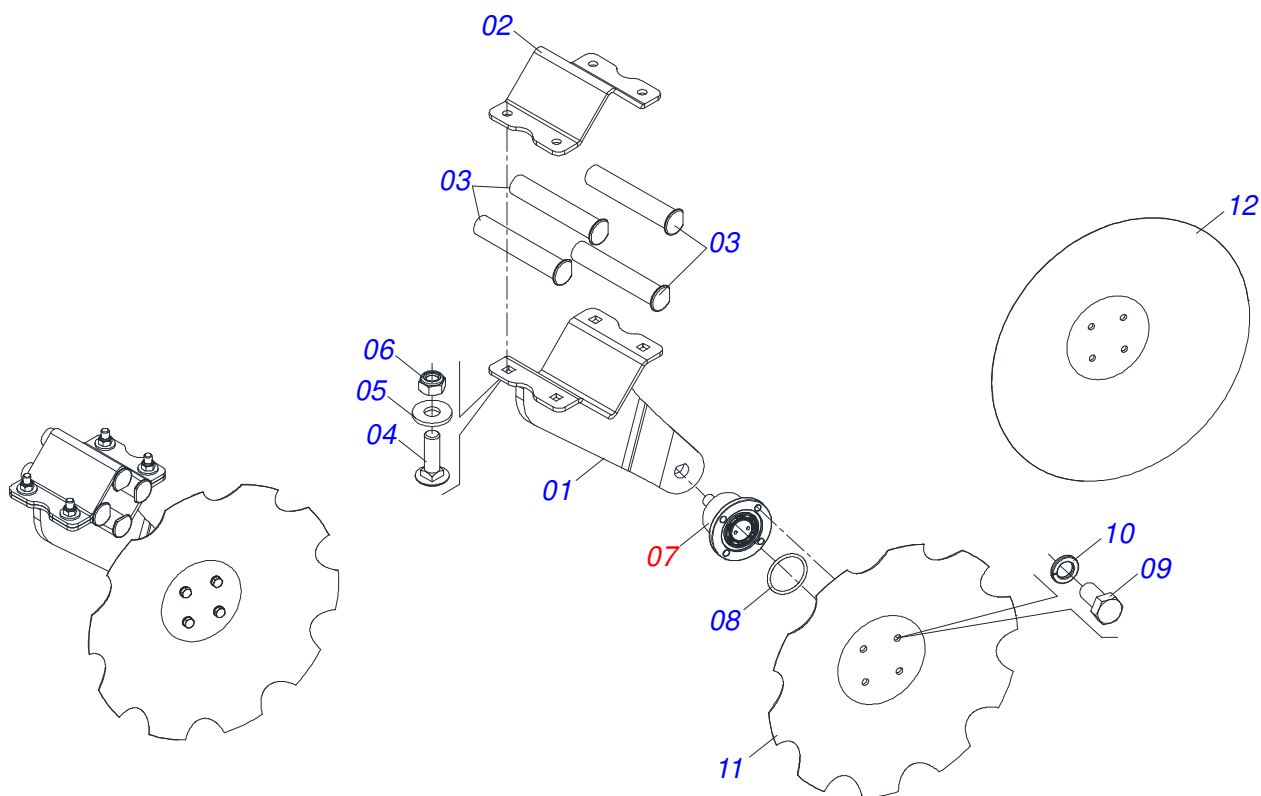
Item	Code	Description	See page	QT
01	0503018454	TIRE 600/50R 22,5 159D		01
02	0503013045	RIM 20.00X22.5		01
03	0503013999	VALVE 16MM AGR		01



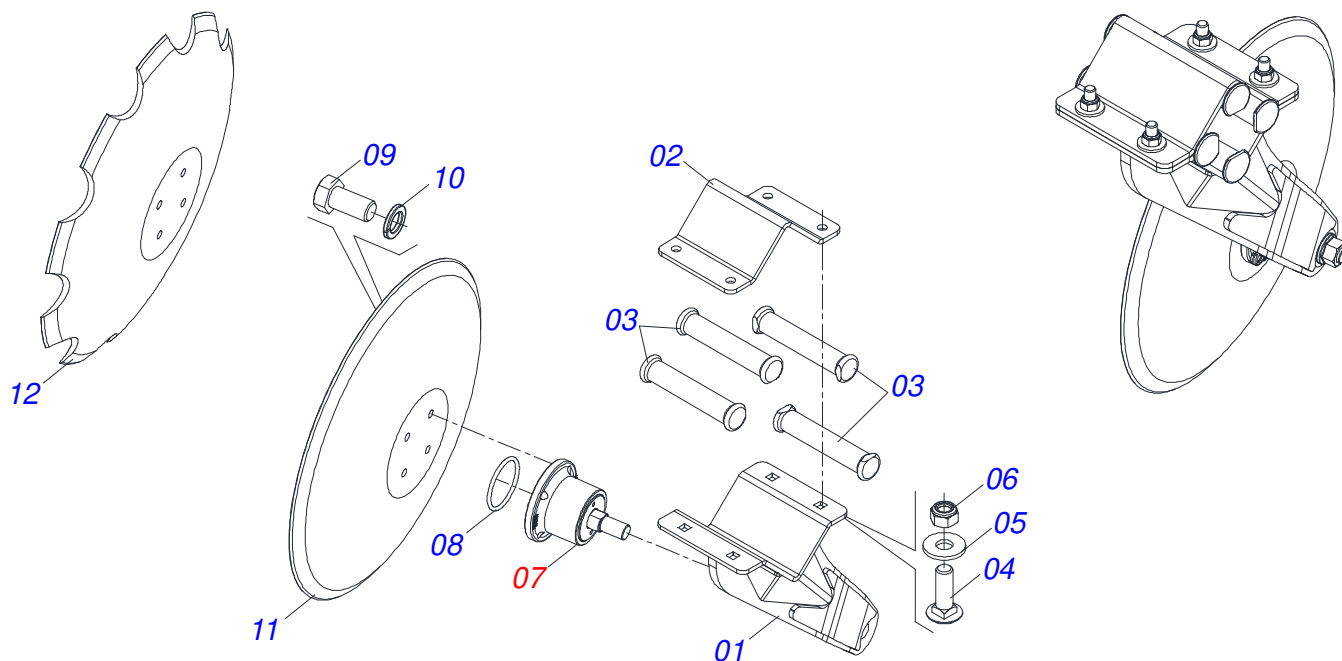
Item	Code	Description	See page	QT
01	0531065550	FRONT DISC ARM		01
02	0591014683	UPPER DISC ARM FASTENER (JUNCTION)		01
03	0503034940	RUBBER TORSION		04
04	0503012699	BOLT 5/8NC X 2 CAPQ G.5 ZN 1K20548		04
05	0501012140	FLAT WASHER 16,50 X 40 X 4,00 ZN		04
06	0503013389	5/8" SELF LOCKING NUT		04
07	0531058997	COMPLETE DISC FIXING HUB	12	01
08	0503019460	O' RING, 2-335 N 3006-9B		01
09	0503013232	BOLT 1/2 UNF X 1 C S G.5 ZN		04
10	0503010019	1/2" SPRING WASHER		04
11	0611022017	FLAT CENTER DISC C7" 22X6(NOTCHED)		01
11.	0611022015	FLAT CENTER DISC C7" 20X6 (NOTCHED)		01
12	0610023512	FLAT CENTER DISC C7" 22X6 (PLAIN)		01
12.	0610023513	FLAT CENTER DISC C7" 20X6 (PLAIN)		01



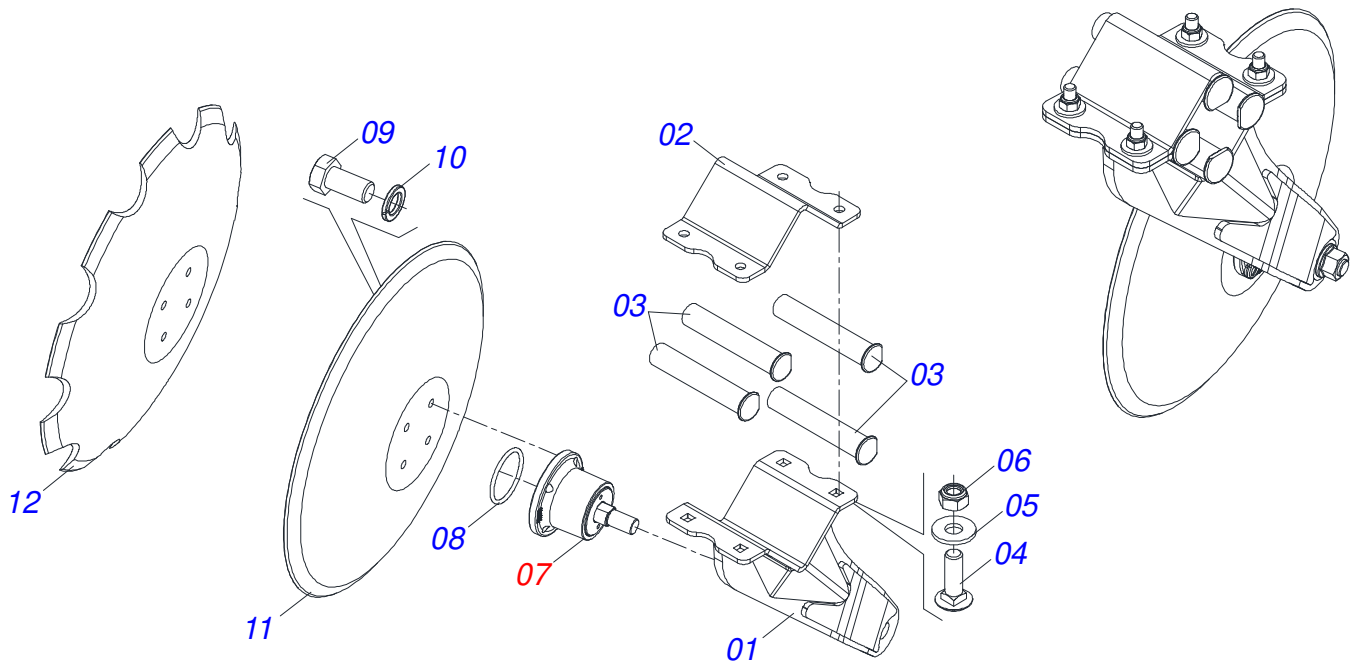
Item	Code	Description	See page	QT
01		FRONT SHANK ASSY	8	
02		FRONT SHANK ASSY (JUNCTION)	9	
03		REAR SHANK ASSY	10	
04		REAR SHANK ASSY (JUNCTION)	11	



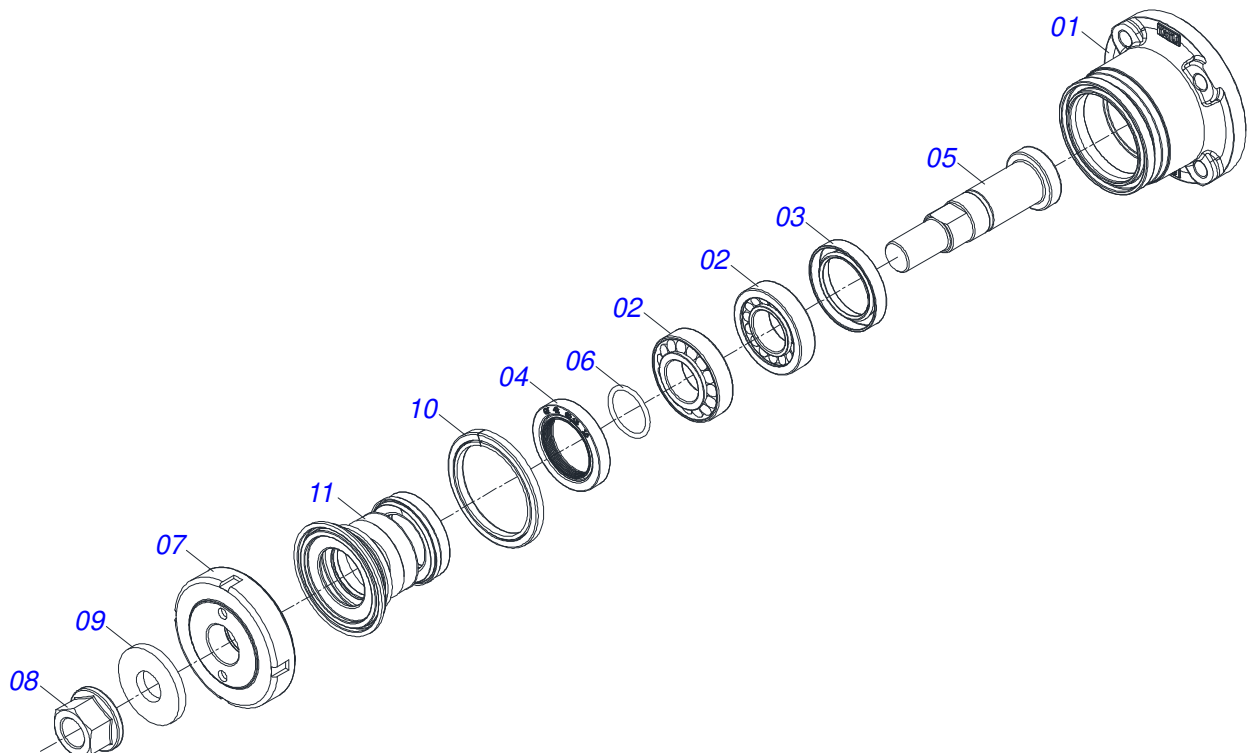
Item	Code	Description	See page	QT
01	0531065551	FRONT DISC ARM (JUNCTION)		01
02	0591014683	UPPER DISC ARM FASTENER (JUNCTION)		01
03	0503035287	RUBBER TORSION (JUNCTION)		04
04	0503012699	BOLT 5/8NC X 2 CAPQ G.5 ZN 1K20548		04
05	0501012140	FLAT WASHER 16,50 X 40 X 4,00 ZN		04
06	0503013389	5/8" SELF LOCKING NUT		04
07	0531058997	COMPLETE DISC FIXING HUB	12	01
08	0503019460	O' RING, 2-335 N 3006-9B		01
09	0503013232	BOLT 1/2 UNF X 1 C S G.5 ZN		04
10	0503010019	1/2" SPRING WASHER		04
11	0611022017	FLAT CENTER DISC C7" 22X6(NOTCHED)		01
11.	0611022015	FLAT CENTER DISC C7" 20X6 (NOTCHED)		01
12	0610023512	FLAT CENTER DISC C7" 22X6 (PLAIN)		01
12.	0610023513	FLAT CENTER DISC C7" 20X6 (PLAIN)		01



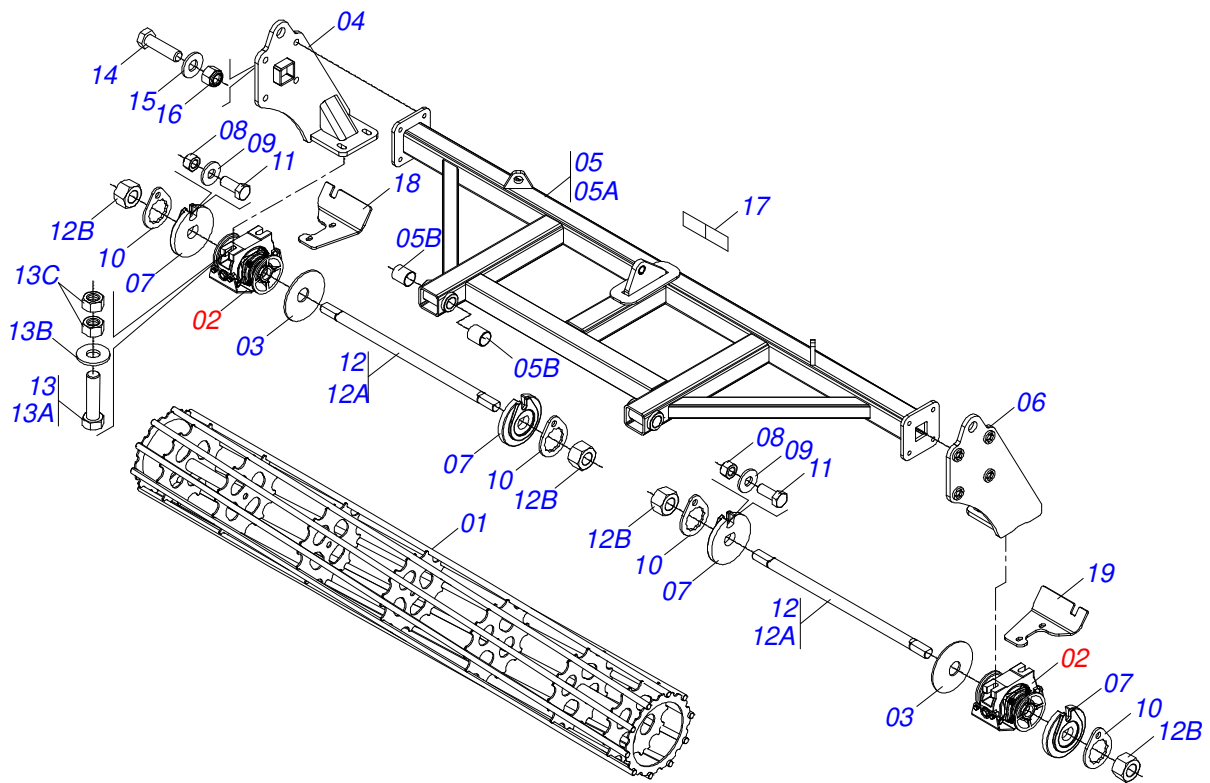
Item	Code	Description	See page	QT
01	0531065549	REAR DISC ARM		01
02	0591010832	CAPPING PLATE		01
03	0503034940	RUBBER TORSION		04
04	0503012699	BOLT 5/8NC X 2 CAPQ G.5 ZN 1K20548		04
05	0501012140	FLAT WASHER 16,50 X 40 X 4,00 ZN		04
06	0503013389	5/8" SELF LOCKING NUT		04
07	0531058997	COMPLETE DISC FIXING HUB	12	01
08	0503019460	O' RING, 2-335 N 3006-9B		01
09	0503013232	BOLT 1/2 UNF X 1 C S G.5 ZN		04
10	0503010019	1/2" SPRING WASHER		04
11	0610023512	FLAT CENTER DISC C7" 22X6 (PLAIN)		01
11.	0610023513	FLAT CENTER DISC C7" 20X6 (PLAIN)		01
12	0611022017	FLAT CENTER DISC C7" 22X6(NOTCHED)		01
12.	0611022015	FLAT CENTER DISC C7" 20X6 (NOTCHED)		01



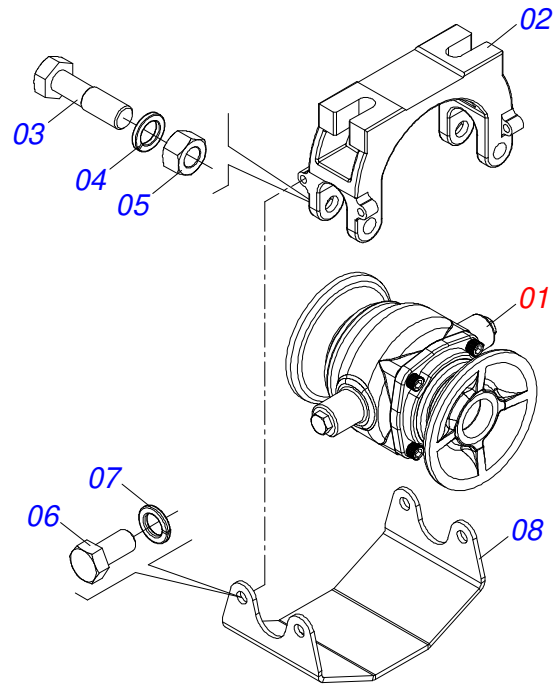
Item	Code	Description	See page	QT
01	0531065548	REAR DISC ARM (JUNCTION)		01
02	0591014683	UPPER DISC ARM FASTENER (JUNCTION)		01
03	0503035287	RUBBER TORSION (JUNCTION)		04
04	0503012699	BOLT 5/8NC X 2 CAPQ G.5 ZN 1K20548		04
05	0501012140	FLAT WASHER 16,50 X 40 X 4,00 ZN		04
06	0503013389	5/8" SELF LOCKING NUT		04
07	0531058997	COMPLETE DISC FIXING HUB	12	01
08	0503019460	O' RING, 2-335 N 3006-9B		01
09	0503013232	BOLT 1/2 UNF X 1 C S G.5 ZN		04
10	0503010019	1/2" SPRING WASHER		04
11	0610023512	FLAT CENTER DISC C7" 22X6 (PLAIN)		01
11.	0610023513	FLAT CENTER DISC C7" 20X6 (PLAIN)		01
12	0611022017	FLAT CENTER DISC C7" 22X6(NOTCHED)		01
12.	0611022015	FLAT CENTER DISC C7" 20X6 (NOTCHED)		01



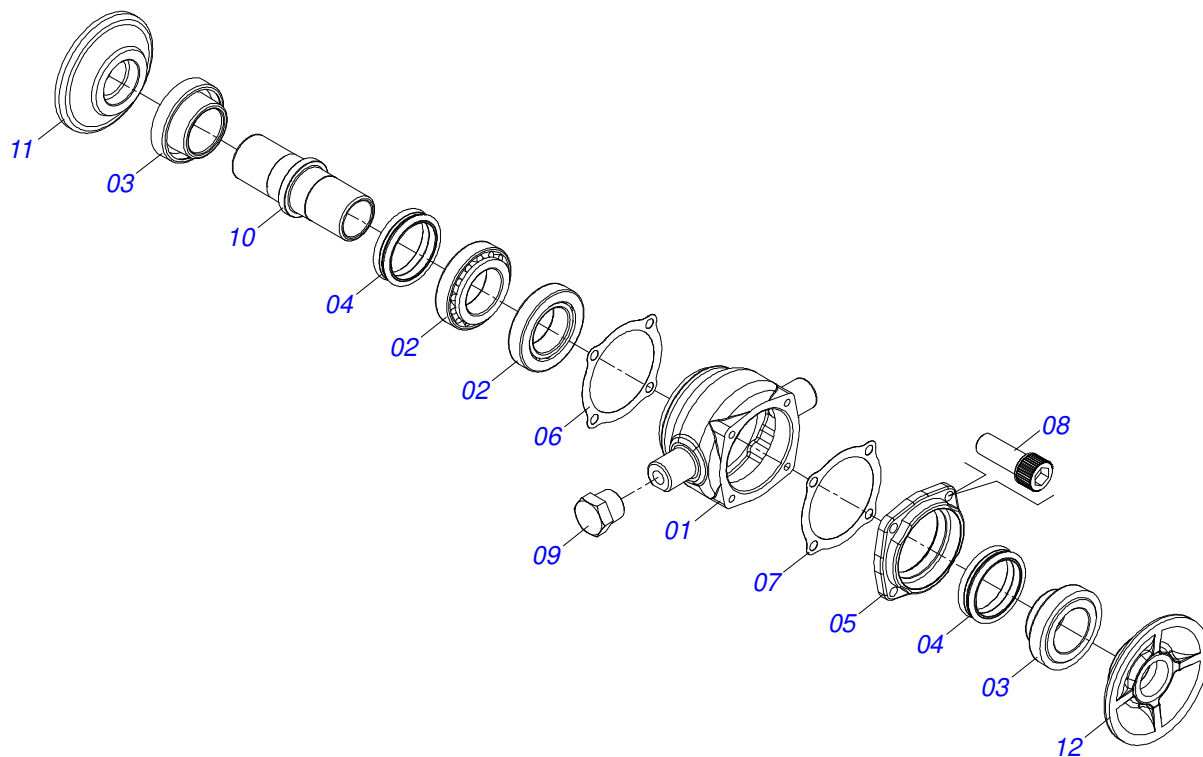
Item	Code	Description	See page	QT
01	0502040884	DISC FIXING HUB		01
02	0503019524	BEARING 30206		02
03	0503012106	SEAL RETAINER 00521-BR		01
04	0513010329	SEAL RETAINER AX 0252 42 X 62,15 X 10 AX0252		01
05	0501219822	DISC HUB SHAFT		01
06	0513011322	O`RING 2-121		01
07	0502040916	ADJUSTMENT NUT R M30 X 1.50 X 94 X 22.00		01
08	0503035788	FLANGE HEXAGONAL NUT 7/8 UNF HIGH G.8 ZN		01
09	0501211999	FLAT WASHER 22,50 X 56 X 6,30 ZN		01
10	0503064305	TEFLON DUST SEAL		01
11	1882970006	SKF LGMT 2 LITHIUM SOAP GREASE		0,07Kg



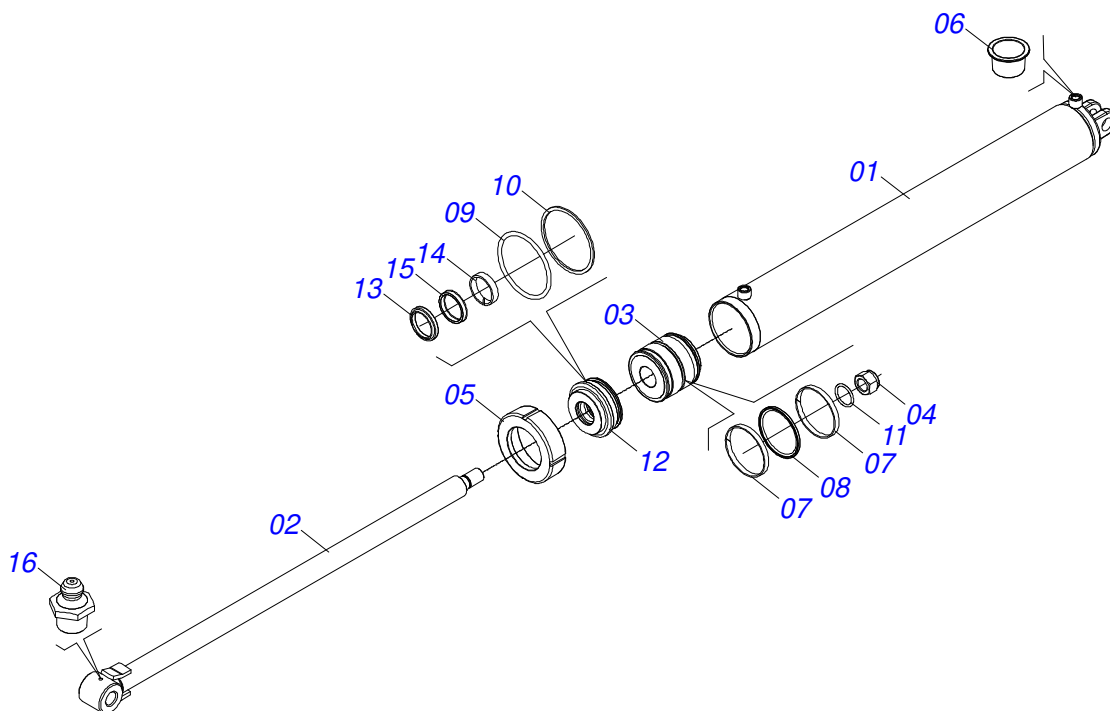
Item	Code	Description	See page	QT
01	0531060921	CAGE ROLLER ASSY 40-45FT (4237)		01
02	0521047185	SWIVEL OIL BATH BEARING 192.5 X 1.1 / 2	14	
03	0591011824	39.5 X 140 X 4.75 CONCAVE WASHER		02
04	0531060413	CAGE ROLLER RIGHT HAND HANGER 25-45FT		01
05	0521058059	CAGE ROLLER SUPPORT WITH BUSHING 40-45FT (4290)		01
05A	0531060922	CAGE ROLLER SUPPORT 40-45FT (4290)		01
05B	0503019271	SELF LUBRICATING BUSHING		04
06	0531060412	CAGE ROLLER LEFT HAND HANGER 25-45FT		01
07	0502010871	EXTERNAL AXLE WASHER 1.1/2"		04
08	0503012412	5/8" UNC SELF LOCKING NUT		04
09	0501012140	FLAT WASHER 16,50 X 40 X 4,00 ZN		04
10	0501018592	1.5/8 HEX 60,0/60,2 LOCK NUT		04
11	0503011267	BOLT 5/8" UNC X 1.1/2 C S G.5 ZN		04
12	0501043705	AXLE ASSY WITH NUT 1.1/2" 6FPP X 810		02
12A	0511010766	1.1/2" X 810 AXLE ASSY		02
12B	0501010110	1.1/2 NC 6FPP 2.3/8 HEXAGONAL NUT		04
13	0531041221	BOLT ASSY 5/8 UNC X 3 G8		04
13A	0513010203	BOLT 5/8 UNC X 3 C S G.8 ZN		04
13B	0501012140	FLAT WASHER 16,50 X 40 X 4,00 ZN		04
13C	0513010204	HEX NUT 5/8 UNC G.8 ZN		08
14	0503017855	BOLT 3/4" UNF 2.3/4 CS G.5 ZN		08
15	0501010104	FLAT WASHER 45 X 20 X 4		08
16	0503010152	3/4" SELF LOCKING NUT		08
17	0503013229	REFLECTIVE SIDE BAND		01
18	0591018786	RIGHT SCRAPER (287 X 230)		01
19	0591018787	LEFT SCRAPER (287 X 230)		01



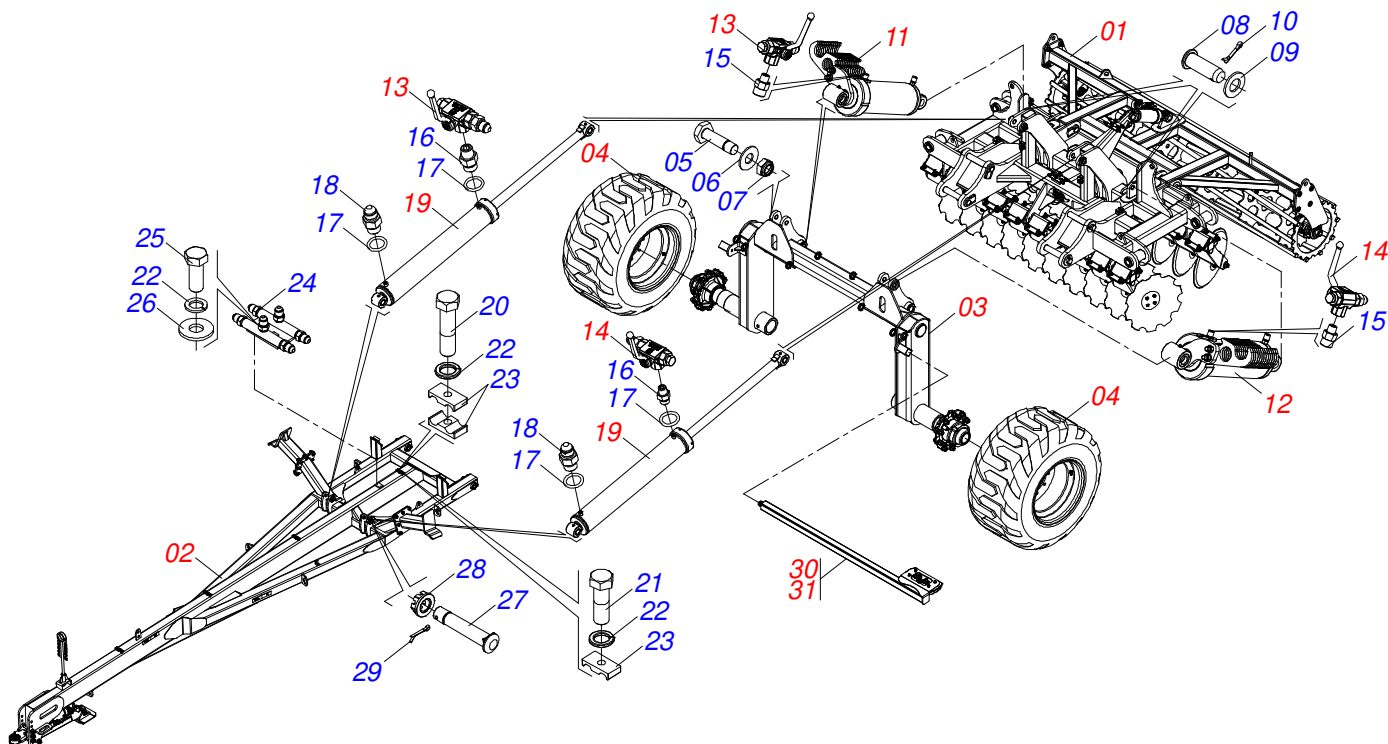
Item	Code	Description	See page	QT
01	0521050838	SWIVEL OIL BATH BEARING 192.5 X 1.1 / 2	15	01
02	0502012854	BEARING SUPPORT 182/192,5		01
03	0501011541	5/8 UNC X 3 CS G.5 ZN1K28066 BOLT		02
04	0503010027	5/8 SPRING WASHER		02
05	0503010013	5/8 UNC G.5 ZN HEX NUT		02
06	0503011334	3/8 UNC X 3/4 CS G.5 ZN BOLT		04
07	0503010025	3/8" SPRING WASHER		04
08	0581014143	SWIVEL OIL BATH BEARING WEAR PLATE		01



Item	Code	Description	See page	QT
01	0502012839	BEARING HOUSING 182/192,5		01
02	0503012171	32210 ROLLER BEARING		02
03	0502010541	SEAL HOLDER		02
04	0503030026	SEAL LP JB-253		02
05	0502020424	HOUSING CAP 182/192,225		01
06	0503030013	4.4" X 3.5" X 0.004" JOINT		02
07	0503030684	4.4" X 3.5" X 0.004" JOINT		01
08	0503010134	3/8" X 1" BOLT		04
09	0503010856	OIL PLUG R 3/8 BSPT		02
10	0502040061	182/192,5 AXLE		01
11	0502010605	INNER FLANGE		01
12	0502010604	OUTER FLANGE		01



Item	Code	Description	See page	QT
01	0511068524	CYLINDER BARREL		01
02	0511069760	ROD 2" X 1215		01
03	0502012518	2" X 5" PISTON		01
04	0503010817	1.1/4" SELF LOCKING NUT		01
05	0502010382	5" END CAP		01
06	0503030384	PLUG N-001		02
07	0503010974	W2-5000-500 RING		02
08	0503013440	OE 127 GASKET		01
09	0503010351	2-425 N 3006-9B O'RING		01
10	0503011062	8-425 BACK-UP RING		01
11	0503010345	2-218 N 3006-9B O'RING		01
12	0502012227	2" X 5" RING SUPPOT		01
13	0503010952	W2-2250-500 RING		01
14	0503010039	D-2000 SCRAPER RING		01
15	0503010991	1870-2000-375-B GASKET		01
16	0503010002	1800 GREASE FITTING		01
17	0501039856	HYDRAULIC CYLINDER REPAIR KIT 2" X 5"		01



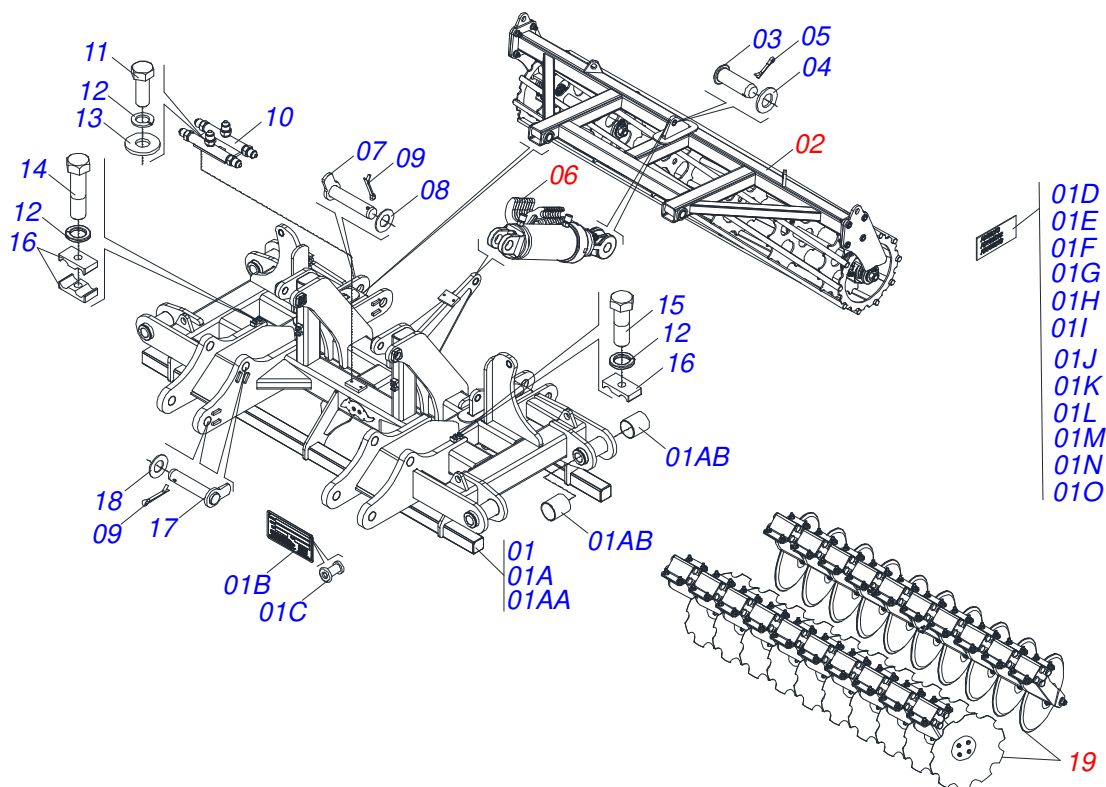
Item	Code	Description	See page	QT
01		MAIN FRAME SEMI-MOUNTED	19	
02		ASSY HEADER	22	
03	0531040100	CENTRAL WHEEL ASSY WITH HUB	28	01
04	0503062563	WHEELS AND TIRE 600/50-22.5 16L	7	02
05	0581018185	1.1/4" UNF BOLT		02
06	0501011280	FLAT WASHER 32,50 X 75 X 4,75		02
07	0503010044	SELF LOCKING NUT 1.1/4 UNF G.5 ZN		02
08	0521010779	31.75 X 95 COUPLING SHAFT		02
09	0501017779	FLAT WASHER 32 X 60 X 4,75		02
10	0503010523	1/4 X 2 SPLIT PIN		02
11	0531040074	RIGHT HYDRAULIC CYLINDER 53,98 X 127 X 475 X 29 165		01
12	0531040073	LEFT HYDRAULIC CYLINDER 53,98 X 127 X 475 X 30 165		01
13	0521049464	LEFT HAND SAFETY VALVE	31	02
14	0521049463	RIGHT HAND SAFETY VALVE	26	02
15	0503034990	3/4" UNF X 3/8" ADAPTER		02
16	0503034943	3/4" UNF NIPPLE		04
17	0503010190	2-114 N 3006-9B O'RING		04
18	0501010617	NIPPLE 3/4" NF X 3/4" NF HEX. 7/8" X 44		02
19	0521049462	2.1/2" X 5.7/8" HYDRAULIC CYLINDER	32	02
20	0503011103	BOLT 7/16" UNC X 2.1/2" C S G.5 ZN		08
21	0503011135	BOLT 7/16" UNC X 1.1/2" C S G.5 ZN		01
22	0503010180	7/16" SPRING WASHER		11
23	0502010477	HOSE CLAMP		15
24	0501068706	DOUBLE CONNECTION		01
25	0503011338	BOLT 7/16" UNC X 1" CS G.5 ZN		02
26	0501012803	FLAT WASHER 12 X 30 X 3,00 ZN		02
27	0541014119	37.5 X 195 COUPLING SHAFT		04
28	0501011301	1.1/2" UNC 6FPP 2.5/16" NUT		04
29	0503010010	1/4" X 2.1/2" SPLIT PIN		04
30	0531040330	RIGHT TAIL LIGHT SUPPORT 35-45FT (1505)	33	01



TATU SPEED DISK - 96 DISCS
ASSY CENTRAL FRAME

Page 18
0909099049

Item	Code	Description	See page	QT
31	0531040331	LEFT HEADLIGHT SUPPORT 35-45FT (1505)	34	01



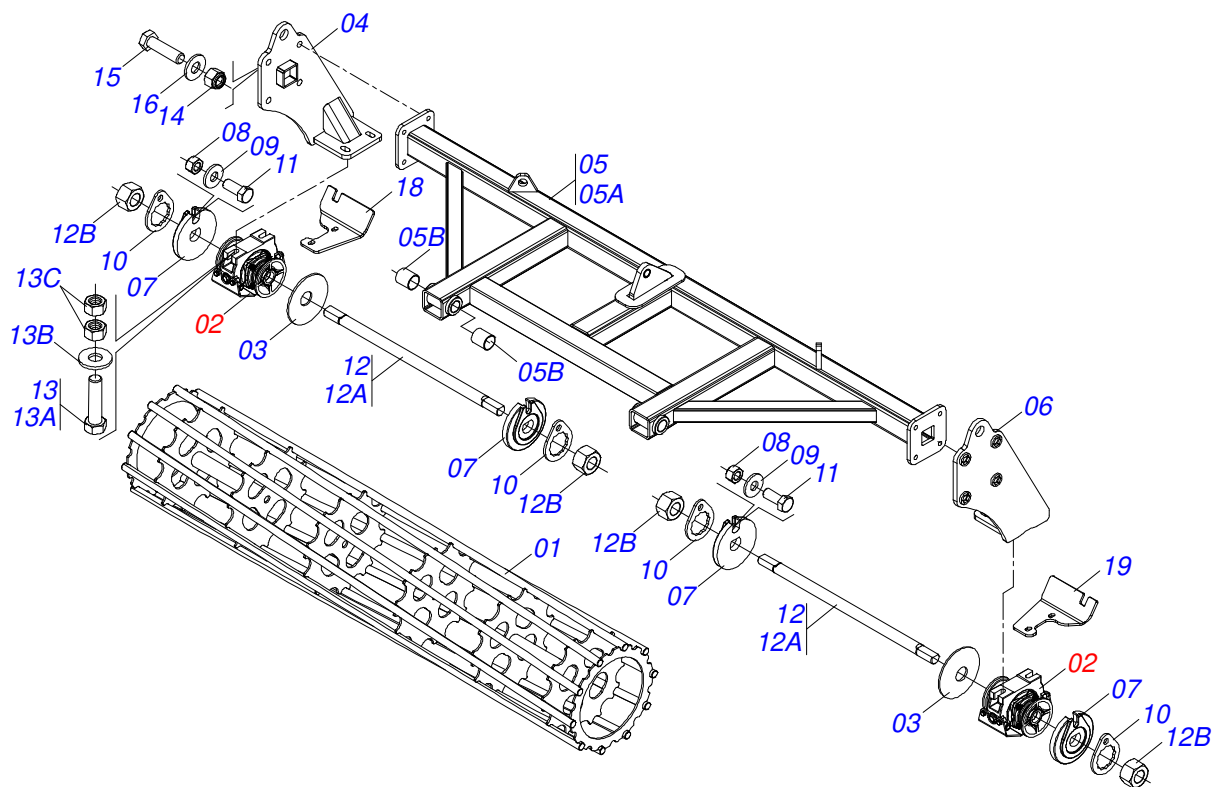
Item	Code	Description	See page	QT
01	0531040122	FRAME CENTER WITH LABELS		01
01A	0521057736	MAIN FRAME WITH BUSHINGS 35-40FT		01
01AA	0531060713	FRAME CENTER 26 DISC 35-40FT		01
01AB	0503019271	SELF LUBRICATING BUSHING		08
01B	0503034003	61 X 118 SERIAL NUMBER TAG		01
01C	0503010001	RIVET 3,2 X 5,5		04
01D	0503034078	LIFTING POINTS DECAL		04
01E	0503031739	DANGER DECAL		01
01F	0503033038	DANGER DECAL		01
01G	0503034499	HOSE IDENTIFICATION DECAL		01
01H	0503031827	DAILY LUBRICATION AND RETIGHTENING DECAL		01
01I	0503031428	ATTENTION READ MANUAL DECAL		01
01J	0503035216	CAUTION HYDRAULIC CONTROL HAZARD DECAL		01
01K	0503035218	DANGER ELETROCUTION HAZARD DECAL		01
01L	0503035220	WARNING FRAME PINCH POINT DECAL		01
01M	0503035221	WARNING HIGH PRESSURE DECAL		01
01N	0503035223	WARNING MAXIMUM SPEED DECAL		01
01O	0503035224	WARNING SAFETY INFORMATION DECAL		01
02	0531040067	CAGE ROLLER ASSY 35-40FT (4010)	20	01
03	0521010779	31.75 X 95 COUPLING SHAFT		02
04	0501017779	FLAT WASHER 32 X 60 X 4,75		02
05	0503010523	1/4 X 2 SPLIT PIN		02
06	0531040071	2" X 4" X 16.90" X 4.50" HYDRAULIC CYLINDER	4	01
07	0531060468	JUNCTION AXLE 226 (HOLE 206)		02
08	0591010852	52 X 100 X 4.75 FLAT WASHER		02
09	0503010073	3/8" X 3.1/2" SPLIT PIN		06
10	0501068706	DOUBLE CONNECTION		02
11	0503011338	BOLT 7/16" UNC X 1" CS G.5 ZN		04
12	0503010180	7/16" SPRING WASHER		11
13	0501012803	FLAT WASHER 12 X 30 X 3,00 ZN		04
14	0503011103	BOLT 7/16" UNC X 2.1/2" C S G.5 ZN		01
15	0503011135	BOLT 7/16" UNC X 1.1/2" C S G.5 ZN		06



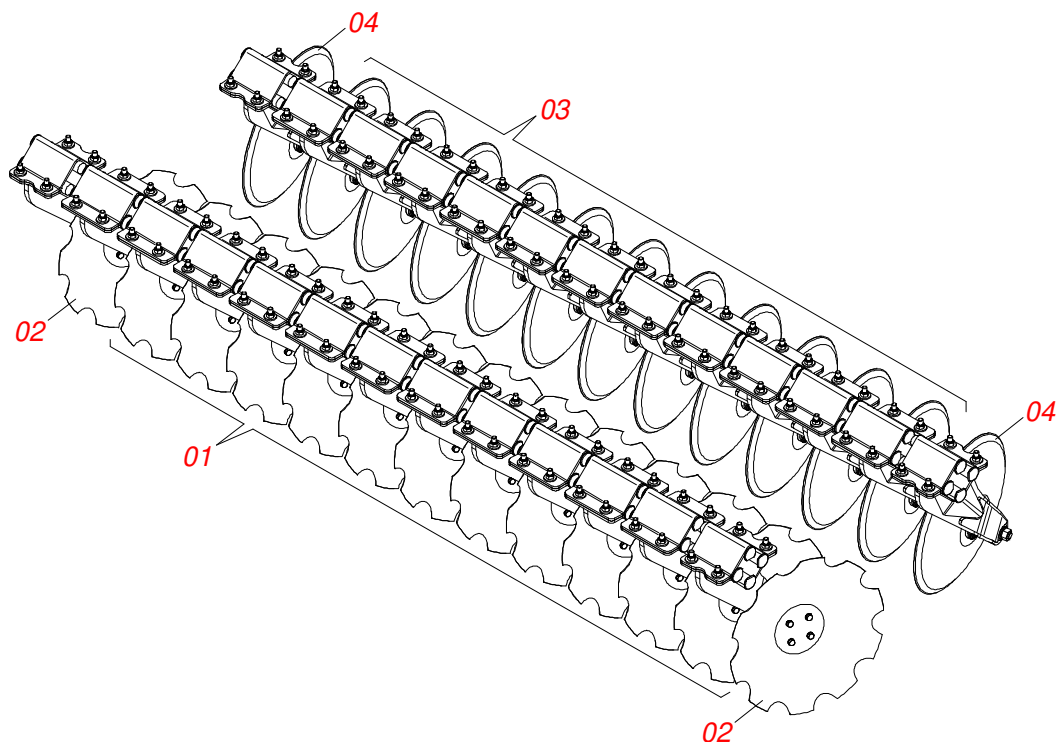
TATU SPEED DISK - 96 DISCS
MAIN FRAME SEMI-MOUNTED

Page 19
0909099053

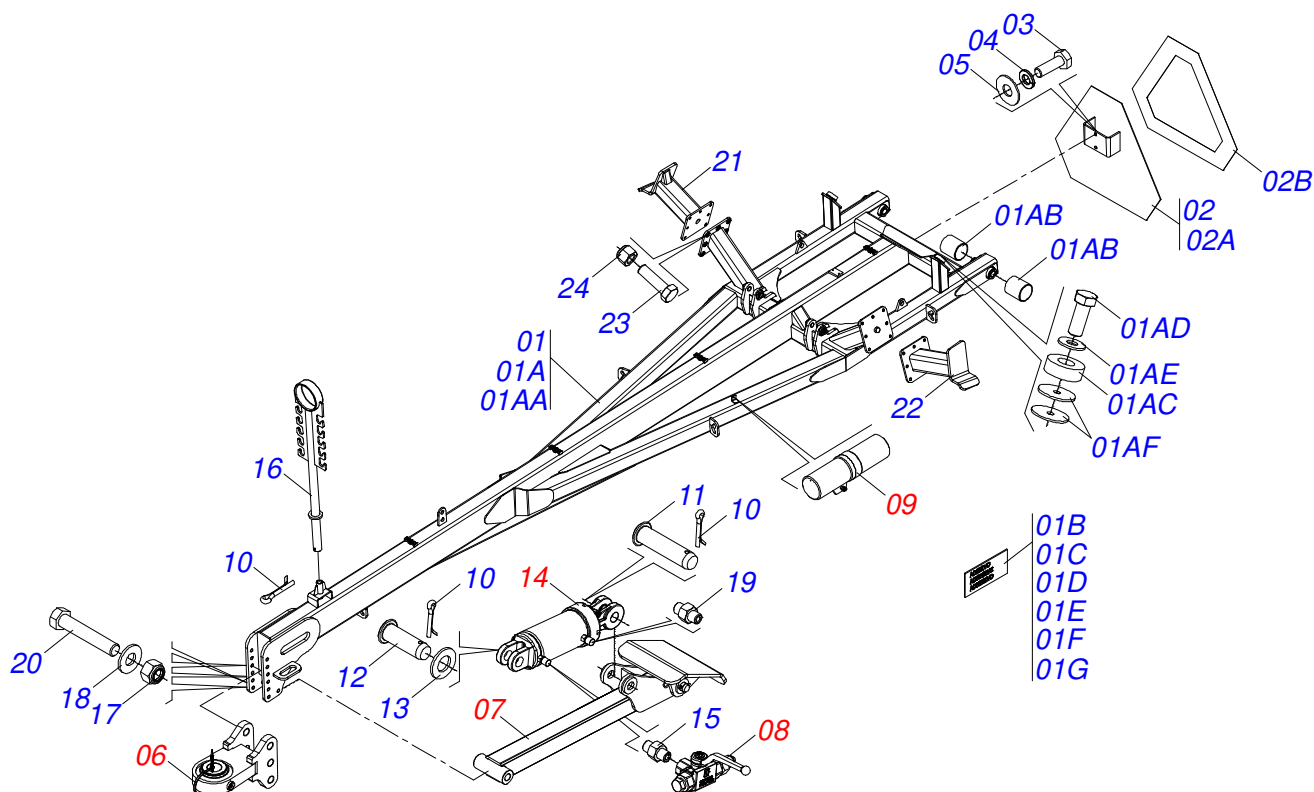
Item	Code	Description	See page	QT
16	0502010477	HOSE CLAMP		08
17	0531060058	AXLE JOINT 339 (HOLE 319)		04
18	0591010852	52 X 100 X 4.75 FLAT WASHER		04
19		CENTRAL DISC ASSY	21	



Item	Code	Description	See page	QT
01	0531060919	CAGE ROLLER 35-40FT (3919)		01
02	0521047185	SWIVEL OIL BATH BEARING 192.5 X 1.1 / 2	14	
03	0591011824	39.5 X 140 X 4.75 CONCAVE WASHER		02
04	0531060413	CAGE ROLLER RIGHT HAND HANGER 25-45FT		01
05	0521058058	CAGE ROLLER SUPPORT 35-40FT (4010)		01
05A	0531060920	CAGE ROLLER SUPPORT 35-40FT (3972)		01
05B	0503019271	SELF LUBRICATING BUSHING		04
06	0531060412	CAGE ROLLER LEFT HAND HANGER 25-45FT		01
07	0502010871	EXTERNAL AXLE WASHER 1.1/2"		04
08	0503012412	5/8" UNC SELF LOCKING NUT		04
09	0501012140	FLAT WASHER 16,50 X 40 X 4,00 ZN		04
10	0501018592	1.5/8 HEX 60,0/60,2 LOCK NUT		04
11	0503011267	BOLT 5/8" UNC X 1.1/2 C S G.5 ZN		04
12	0501043705	AXLE ASSY WITH NUT 1.1/2" 6FPP X 810		02
12A	0511010766	1.1/2" X 810 AXLE ASSY		01
12B	0501010110	1.1/2 NC 6FPP 2.3/8 HEXAGONAL NUT		02
13	0531041221	BOLT ASSY 5/8 UNC X 3 G8		04
13A	0513010203	BOLT 5/8 UNC X 3 C S G.8 ZN		01
13B	0501012140	FLAT WASHER 16,50 X 40 X 4,00 ZN		01
13C	0513010204	HEX NUT 5/8 UNC G.8 ZN		02
14	0503010152	3/4" SELF LOCKING NUT		08
15	0503017855	BOLT 3/4" UNF 2.3/4 CS G.5 ZN		08
16	0501010104	FLAT WASHER 45 X 20 X 4		08
17	0503013229	REFLECTIVE SIDE BAND		01
18	0591018786	RIGHT SCRAPER (287 X 230)		01
19	0591018787	LEFT SCRAPER (287 X 230)		01



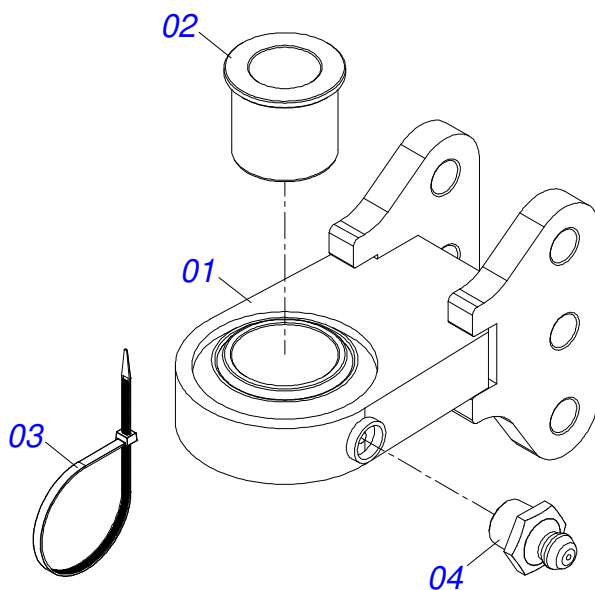
Item	Code	Description	See page	QT
01		FRONT SHANK ASSY	8	
02		FRONT SHANK ASSY (JUNCTION)	9	
03		REAR SHANK ASSY	10	
04		REAR SHANK ASSY (JUNCTION)	11	



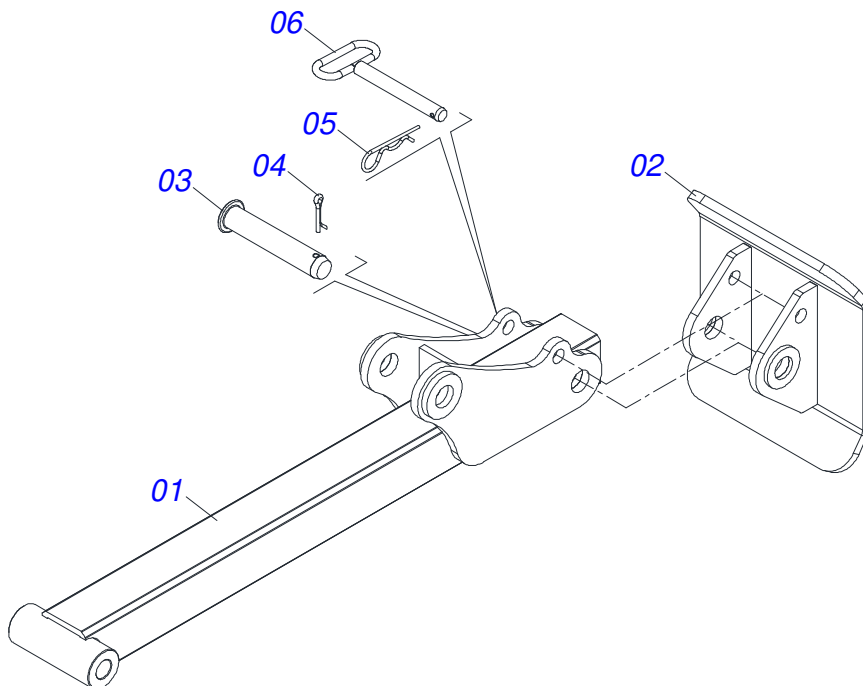
Item	Code	Description	See page	QT
01	0531040130	DRAWBAR WITH DECALS		01
01A	0521057731	DRAWBAR WITH BUSHINGS 35-45FT		01
01AA	0531060709	DRAWBAR 35-45FT		01
01AB	0503019271	SELF LUBRICATING BUSHING		04
01AC	0521011481	FRAME BATTERY		02
01AD	0501010100	BOLT 5/8" UNC X 2 CS G.5 ZN		02
01AE	0571010265	16,50 X 40 X 3,00 ZN FLAT WASHER		02
01AF	0571013284	17,50 X 90 X 4,75 FLAT WASHER		04
01B	0503035222	WARNING MACHINE RUNAWAY DECAL		01
01C	0503035219	DANGER NEGATIVE TONGUE DECAL		01
01D	0503034078	LIFTING POINTS DECAL		03
01E	0503013229	REFLECTIVE SIDE BAND		06
01F	0503034953	TATU SPEED DISK DECAL		01
01G	0503035340	TATU LOGO DECAL		01
02	0531040334	SAFETY TRIANGLE DECAL		01
02A	0531062096	SIGNALING SUPPORT		01
02B	0503032128	SAFETY TRIANGLE DECAL		01
03	0503010461	BOLT 1/4" UNC X 1" C S G.2 ZN		02
04	0503010143	1/4" SPRING WASHER		02
05	0503010357	8 X 20 X 1 FLAT WASHER		02
06	0521049934	TRACTOR HITCH	23	01
07	0531041139	COMPLETE REST 900	24	01
08	0521049463	RIGHT HAND SAFETY VALVE	26	01
09	0521056650	OPERATOR'S MANUAL STORAGE TUBE ASSY	27	01
10	0503010523	1/4 X 2 SPLIT PIN		03
11	0521010546	1.2" X 5.7" COUPLING SHAFT		01
12	0521010779	31.75 X 95 COUPLING SHAFT		01
13	0501017779	FLAT WASHER 32 X 60 X 4,75		01
14	0531041138	HYDRAULIC CYLINDER 50.80 X 127 X 436 X 105	25	01
15	0503035472	NIPPLE 3/4 UNF X 3/8 BSPT X 41 WITH REDUCTION		01
16	0531062415	HOSE SUPPORT 805		01



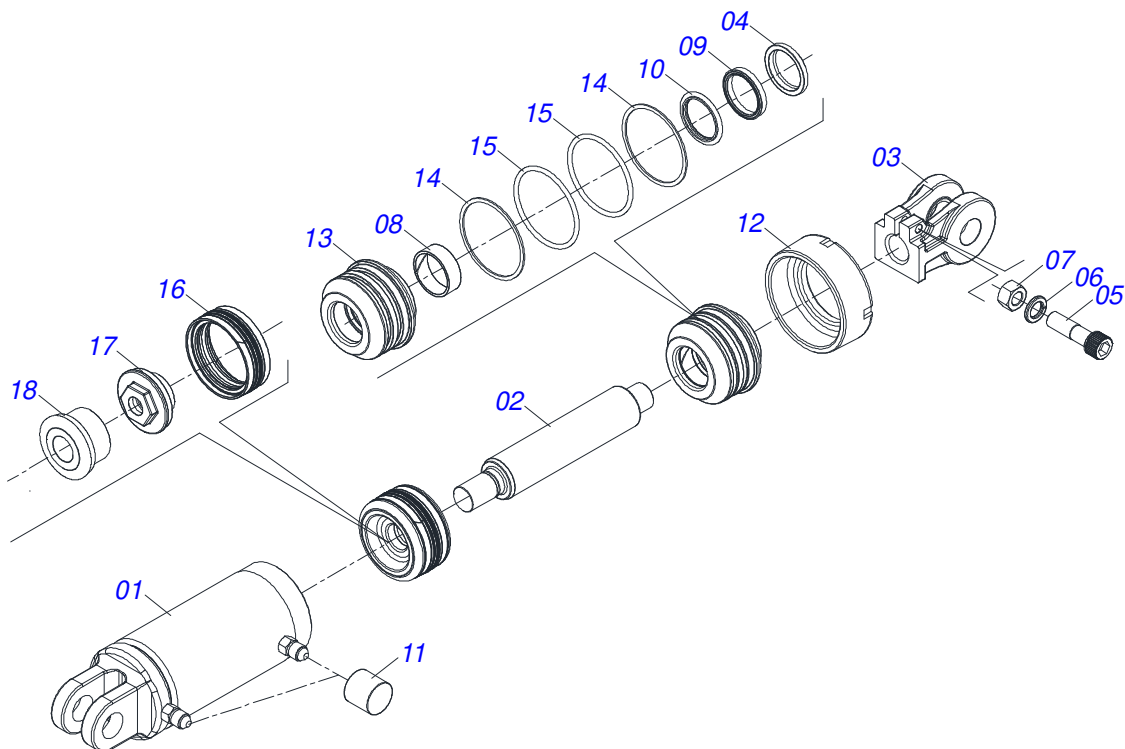
Item	Code	Description	See page	QT
17	0503018754	NUT 1 - 8 UNC - 2B G8		04
18	0501010690	FLAT WASHER 26 X 58 X 4,75		04
19	0561014252	3/4" UNF X 1" NIPPLE WITH REDUCTION		01
20	0503014180	1" X 10 BOLT		04
21	0531061065	BUMPER RIGHT COMPLEMENT 45FT		01
22	0531061068	BUMPER LEFT COMPLEMENT 45FT		01
23	0503013390	3/4" UNC BOLT		14
24	0503011075	3/4 UNC LOCK NUT		14



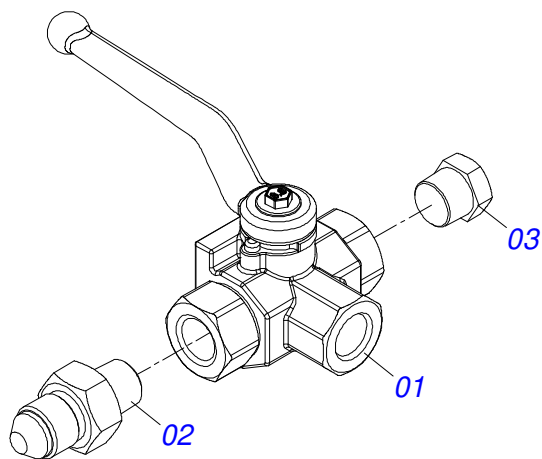
Item	Code	Description	See page	QT
01	0531060712	TRACTOR HITCH		01
02	0591013086	SLEEVE 52,8 X 78 X 76 (PIN 2")		01
03	0503018829	NYLON CLAMP 7,8 X 1,8 X 390 MM		01
04	0503010002	1800 GREASE FITTING		01



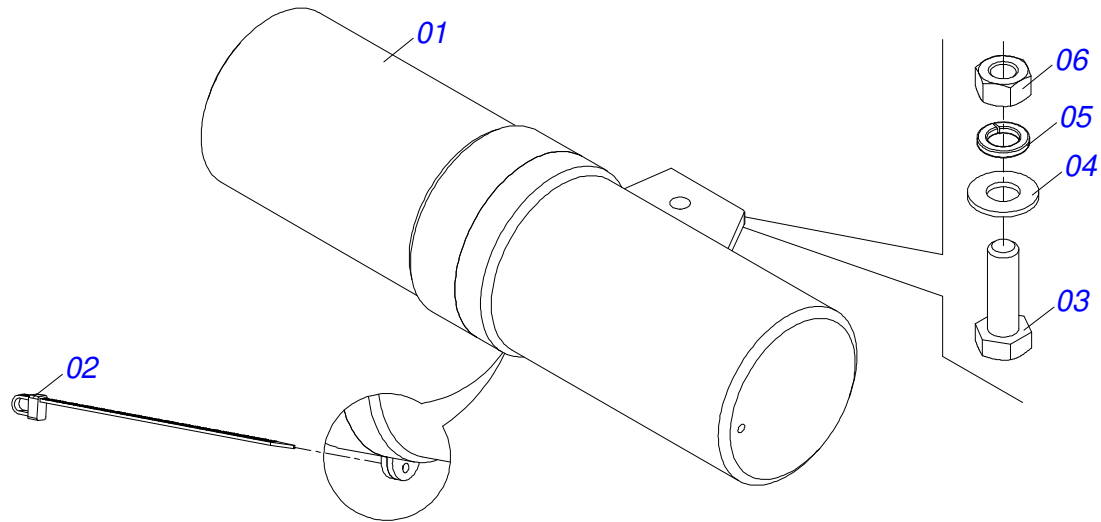
Item	Code	Description	See page	QT
01	0531062378	JACK SUPPORT		01
02	0531060060	JACK BASE ASSY		01
03	0581011919	31,75 X 170 ZN COUPLING SHAFT		01
04	0503010523	1/4 X 2 SPLIT PIN		01
05	0503030012	HITCH PIN CLIP		01
06	0531061302	LOCK AXLE		01



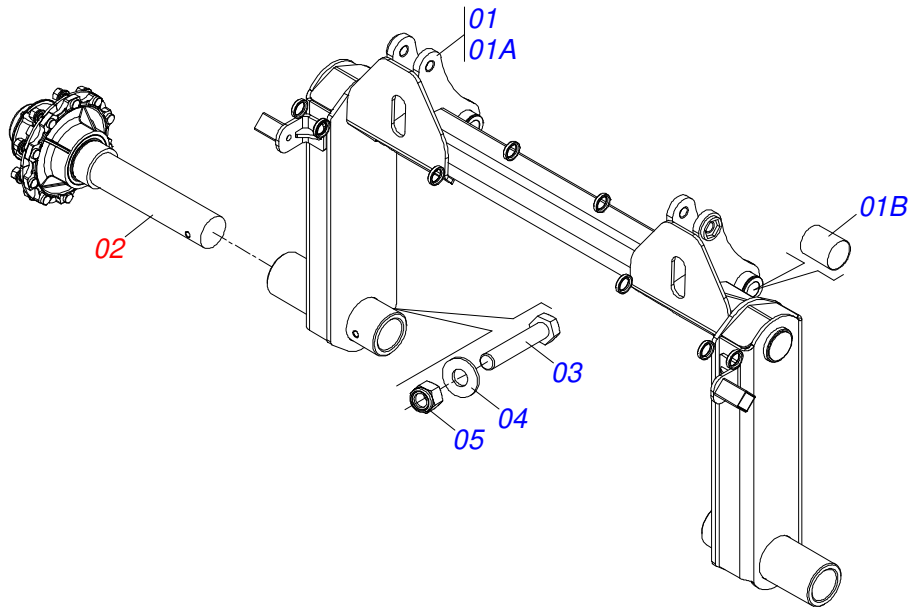
Item	Code	Description	See page	QT
01	0531062377	CYLINDER BARREL 5" X 12 . 13/16"		01
02	0591018614	TURNBUCKLE 2" X 12 . 5/8FT		01
03	0502040747	32.54 CLEVIS CLAMP		01
04	0503010039	D-2000 SCRAPER RING		01
05	0503011094	BOLT 3/8" UNC X 2" C C S I 12.9		01
06	0503011443	SPRING WASHER 3/8"		01
07	0503010026	3/8" NUT		01
08	0503018025	RING GUIDE W2-2250-750		01
09	0503018026	GASKET 1870-2000-375 B POLYMAX		01
10	0503018024	RING BS OD050805200171D-BR		01
11	0503030384	PLUG N-001		02
12	0502010382	5" END CAP		01
13	0502012916	SUPPORT RINGS 2" X 5"		01
14	0503011062	8-425 BACK-UP RING		02
15	0503010469	2-425 N 3006-9B O'RING		02
16	0503015643	SEAL PCK 001270-N8CO		01
17	0502012645	PISTON BODY 2" X 5"		01
18	0591018615	PISTON BODY 2" X 5" ROD		01
19	0511034111	CYLINDER REPAIR KIT (0531041138)		01



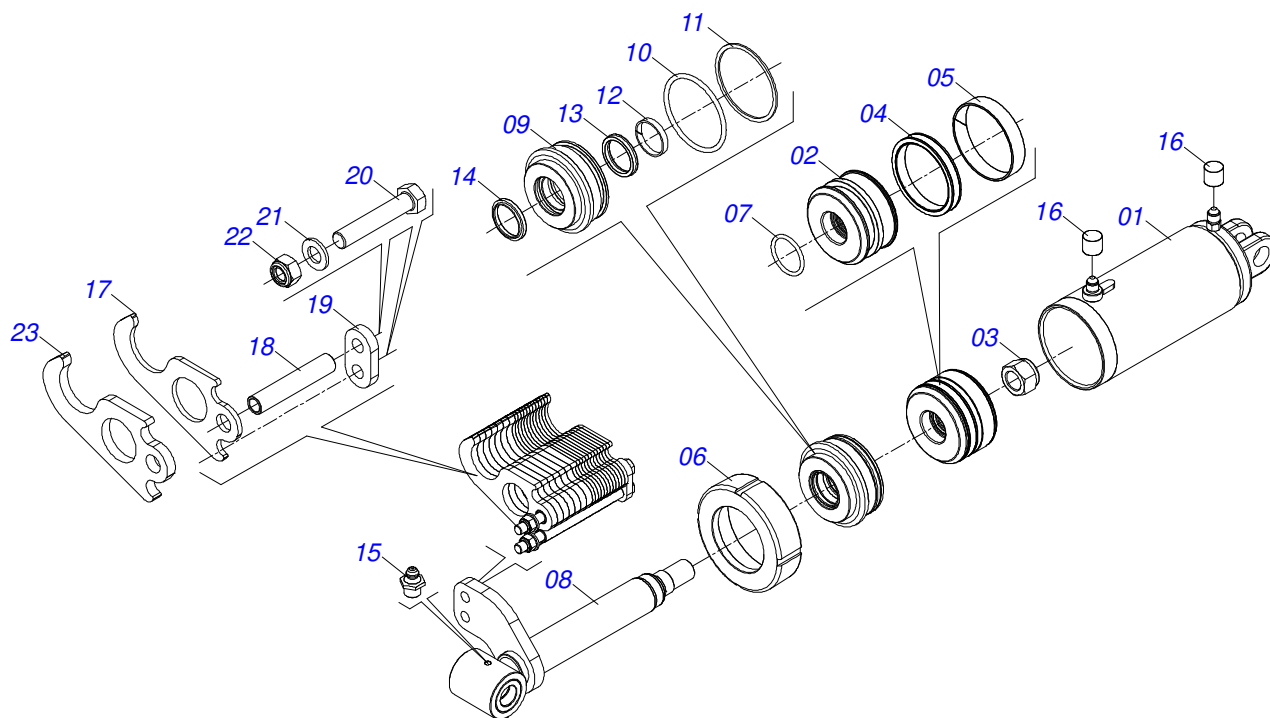
Item	Code	Description	See page	QT
01	0503016612	SPHERICAL VALVE		01
02	0571013798	3/4" UNF X 3/8 NPT NIPPLE		01
03	0591010871	PLUG R3/8 BSPT		01



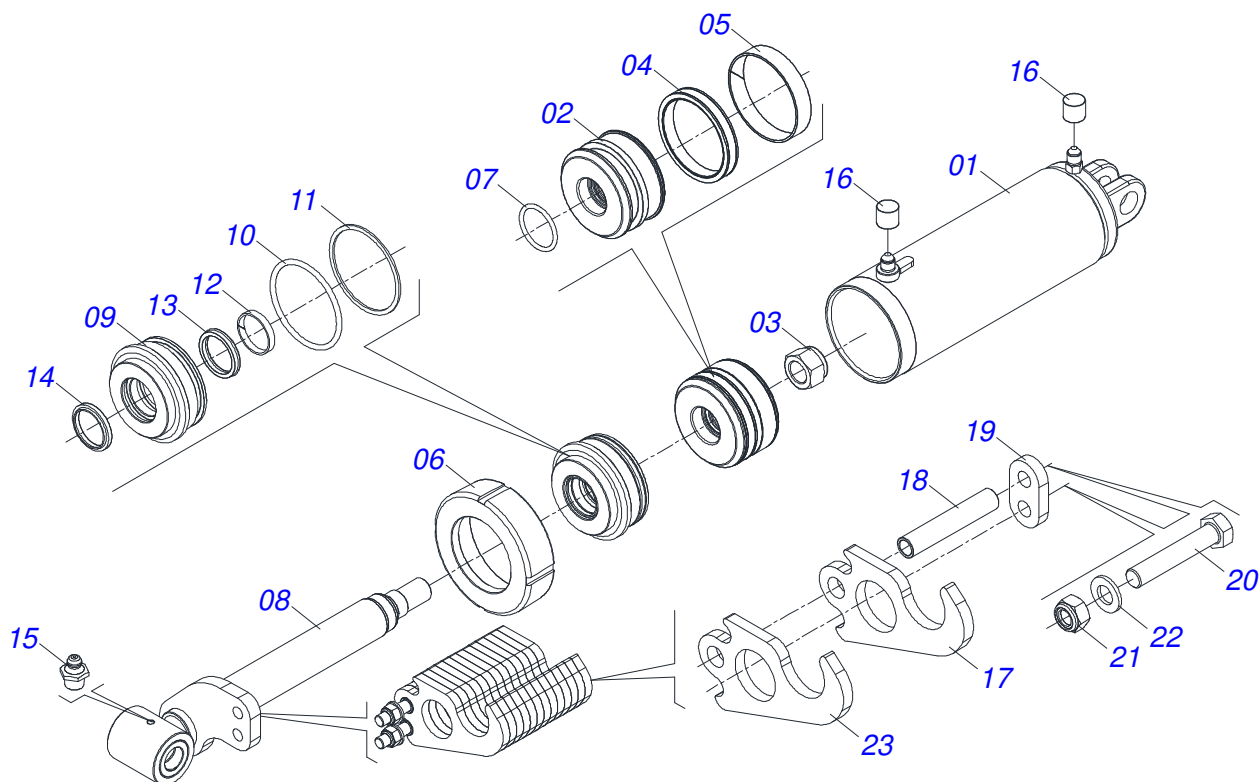
Item	Code	Description	See page	QT
01	0503060100	SUPPORT INSTRUCTION MANUAL		01
02	0503010267	NYLON CLAMP 3,60 X 1,3 X 155 MM		01
03	0503010363	BOLT 5/16 UNC X 1 C S G.2 ZN		01
04	0501010694	FLAT WASHER 8,50 X 18 X 1,50 ZN		01
05	0503010179	LOCK WASHER 5/16 ZN 1K01528		01
06	0503010337	NUT 5/16 UNC G.5 ZN		01
07	0511033657	PLASTIC COVER FOR OPERATOR'S MANUAL		01



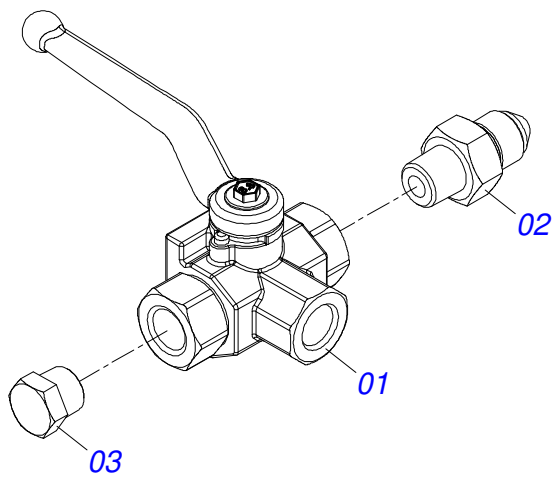
Item	Code	Description	See page	QT
01	0521058055	CENTRAL WHEEL		01
01A	0531060916	CENTRAL WHEEL		01
01B	0503019271	SELF LUBRICATING BUSHING		04
02	0521049580	WHEEL HUB ASSY 25-45FT	6	02
03	0501013475	BOLT 3/4" UNC X 7.1/2" C S G.5 ZN		02
04	0501010104	FLAT WASHER 45 X 20 X 4		02
05	0503011075	3/4 UNC LOCK NUT		02



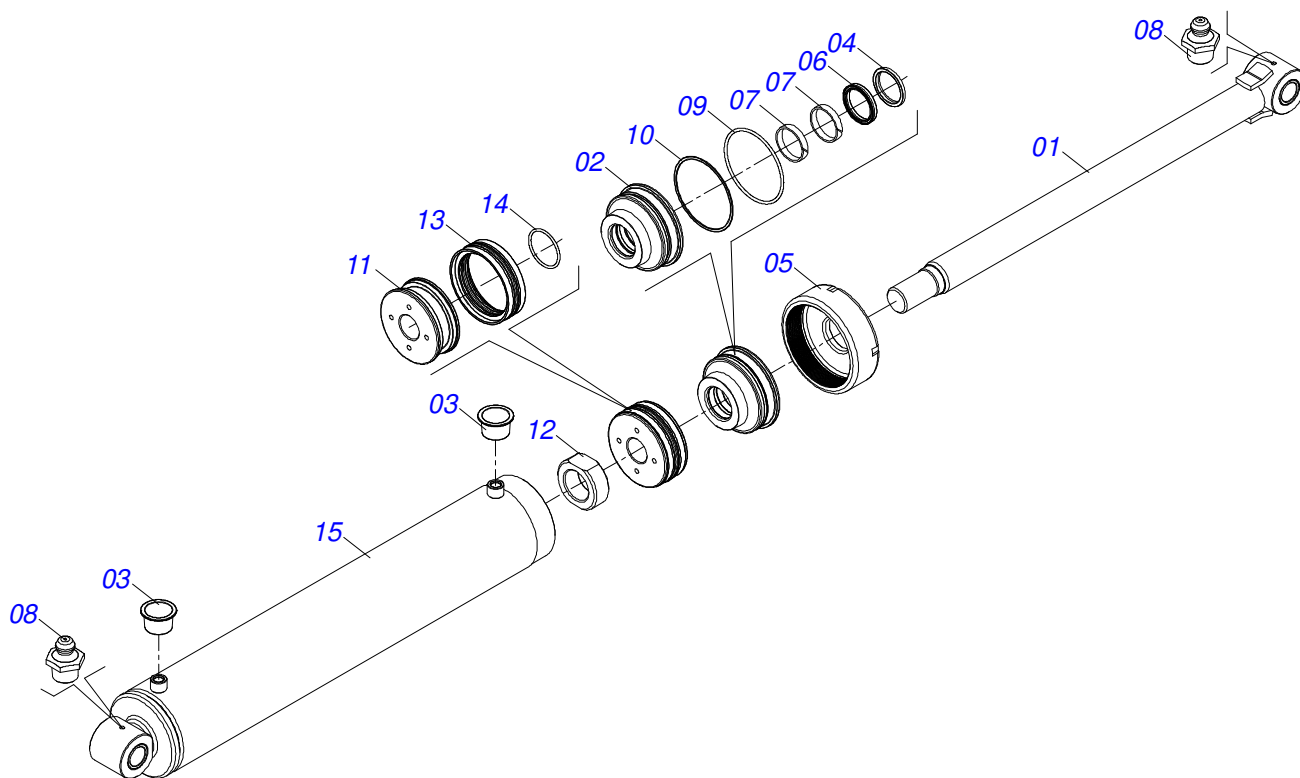
Item	Code	Description	See page	QT
01	0531060928	CYLINDER BARREL 127 X 291		01
02	0581013698	PISTON 2" X 5" C/R. M36 X 1,5		01
03	0503010817	1.1/4" SELF LOCKING NUT		01
04	0503018439	WIPER SEAL T-SEAL 1905127		01
05	0503018150	RING GUIDE W2-5000-984 (4528)		01
06	0502010382	5" END CAP		01
07	0503010173	2-220 N 3006-9B O'RING		01
08	0531060929	RIGHT PISTON ROD		01
09	0502012646	RING SUPPORT 2.1/8" X 5"		01
10	0503010351	2-425 N 3006-9B O'RING		01
11	0503011062	8-425 BACK-UP RING		01
12	0503015641	WEAR RING		01
13	0503015642	U-CUP SEALING RUUB000970		01
14	0503015715	SCRAPER SEALING		01
15	0503010002	1800 GREASE FITTING		01
16	0503030384	PLUG N-001		02
17	0591010867	ROD STOP 202		07
18	0591010869	BUSHING 16 X 22 X 166		02
19	0591010870	ROD STOP PIN ANCHOR		01
20	0503014636	BOLT 5/8" UNC X 9 CS G.5 ZN		02
21	0501010301	FLAT WASHER 16 X 29,50 X 3,00		02
22	0503013389	5/8" SELF LOCKING NUT		02
23	0591013805	ROD STOP		12
24	0511033701	ASSY REPAIR KIT CYLINDER 2 . 1/8" X 5"		01



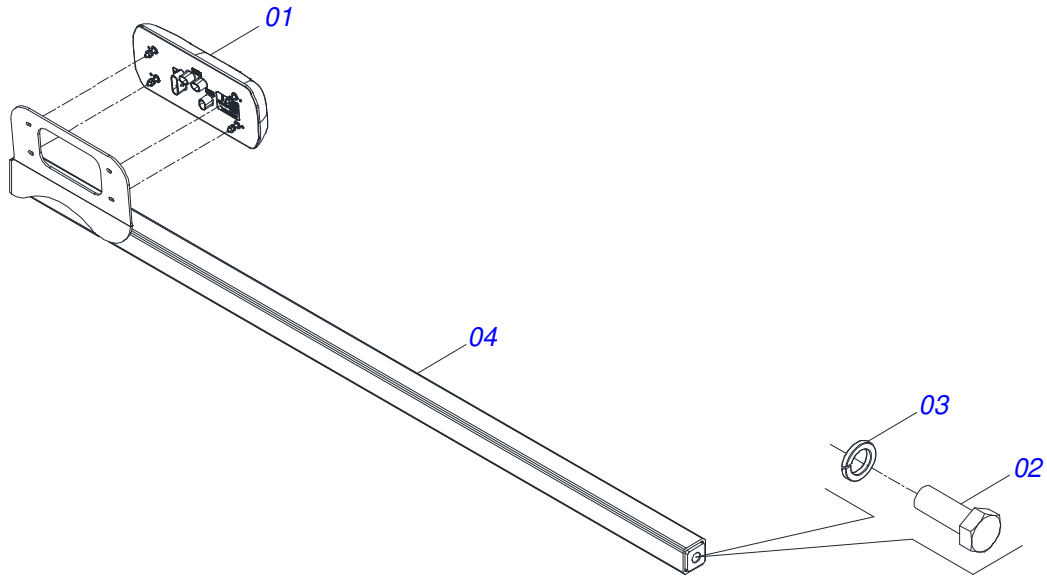
Item	Code	Description	See page	QT
01	0531060928	CYLINDER BARREL 127 X 291		01
02	0581013698	PISTON 2" X 5" C/R. M36 X 1,5		01
03	0503010817	1.1/4" SELF LOCKING NUT		01
04	0503018439	WIPER SEAL T-SEAL 1905127		01
05	0503018150	RING GUIDE W2-5000-984 (4528)		01
06	0502010382	5" END CAP		01
07	0503010173	2-220 N 3006-9B O'RING		01
08	0531060930	LEFT PISTON ROD		01
09	0502012646	RING SUPPORT 2.1/8" X 5"		01
10	0503010351	2-425 N 3006-9B O'RING		01
11	0503011062	8-425 BACK-UP RING		01
12	0503015641	WEAR RING		01
13	0503015642	U-CUP SEALING RUUB000970		01
14	0503015715	SCRAPER SEALING		01
15	0503010002	1800 GREASE FITTING		01
16	0503030384	PLUG N-001		02
17	0591010867	ROD STOP 202		07
18	0591010869	BUSHING 16 X 22 X 166		02
19	0591010870	ROD STOP PIN ANCHOR		01
20	0503014636	BOLT 5/8" UNC X 9 CS G.5 ZN		02
21	0503013389	5/8" SELF LOCKING NUT		02
22	0501010301	FLAT WASHER 16 X 29,50 X 3,00		02
23	0591013805	ROD STOP		12
24	0511033700	ASSY REPAIR KIT CYLINDER 2" X 4 . 1/2"		01



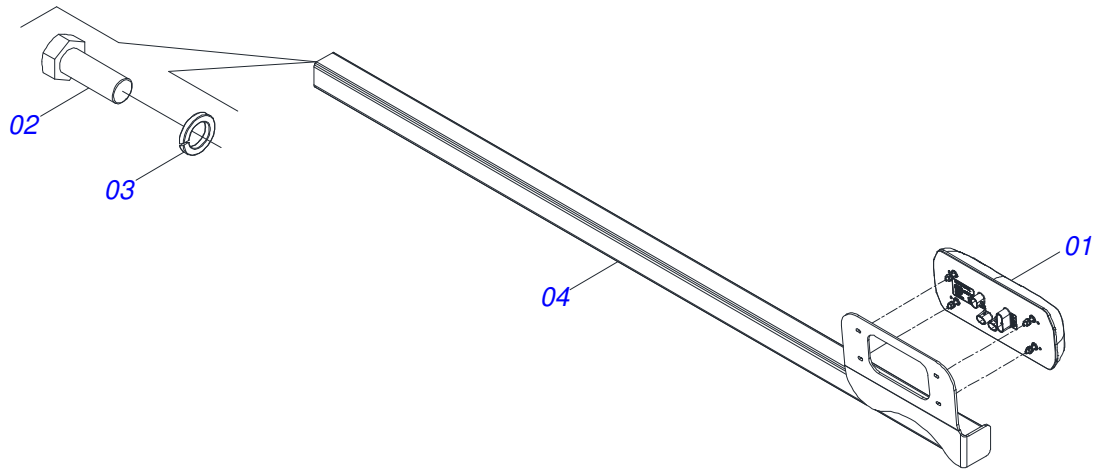
Item	Code	Description	See page	QT
01	0503016612	SPHERICAL VALVE		01
02	0571013798	3/4" UNF X 3/8 NPT NIPPLE		01
03	0591010871	PLUG R3/8 BSPT		01



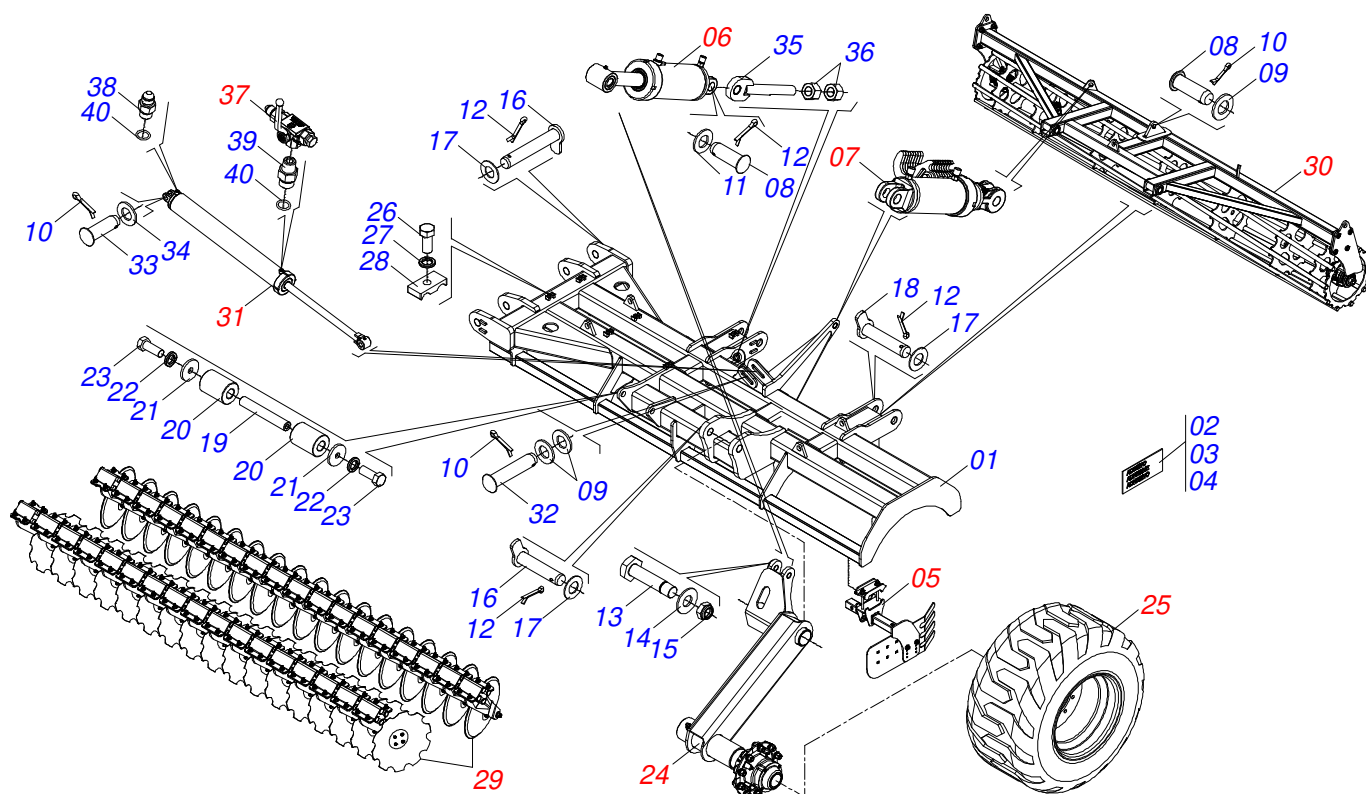
Item	Code	Description	See page	QT
01	0531060063	PISTON ROD		01
02	0581018237	RING SUPPORT 63.50 X 150 X 80		01
03	0503030384	PLUG N-001		02
04	0503010287	D-2500 SCRAPER RING		01
05	0541010615	MOVABLE COVER		01
06	0503014960	GASKET		01
07	0503010971	W2-2750-500 PK RING G.I		02
08	0503010002	1800 GREASE FITTING		02
09	0503010704	2-357 N 3006-9B O'RING		01
10	0503019286	BACK-UP RING 8-357		01
11	0581018236	PISTON 150 X 57		01
12	0581018235	10 X 30 NUT		01
13	0503015912	SELEMASTER SEALING		01
14	0503019098	O' RING 2-227 N 3006-90B		01
15	0531060064	150 X 1095 CYLINDER BARREL		01
16	0511033408	2.1/2" X 5.7/8" CYLINDER REPAIR KIT ASSY		01



Item	Code	Description	See page	QT
001	0503019579	LED LANTERN		01
002	0501010098	BOLT 3/4" UNC X 2 C S G.5 ZN		01
003	0503010023	3/4" SPRING WASHER		01
004	0531061303	RIGHT TAIL LIGHT SUPPORT 35-45FT (1505)		01



Item	Code	Description	See page	QT
01	0503019579	LED LANTERN		01
02	0501010098	BOLT 3/4" UNC X 2 C S G.5 ZN		01
03	0503010023	3/4" SPRING WASHER		01
04	0531061304	LEFT TAIL LIGHT SUPPORT 35-45FT (1505)		01



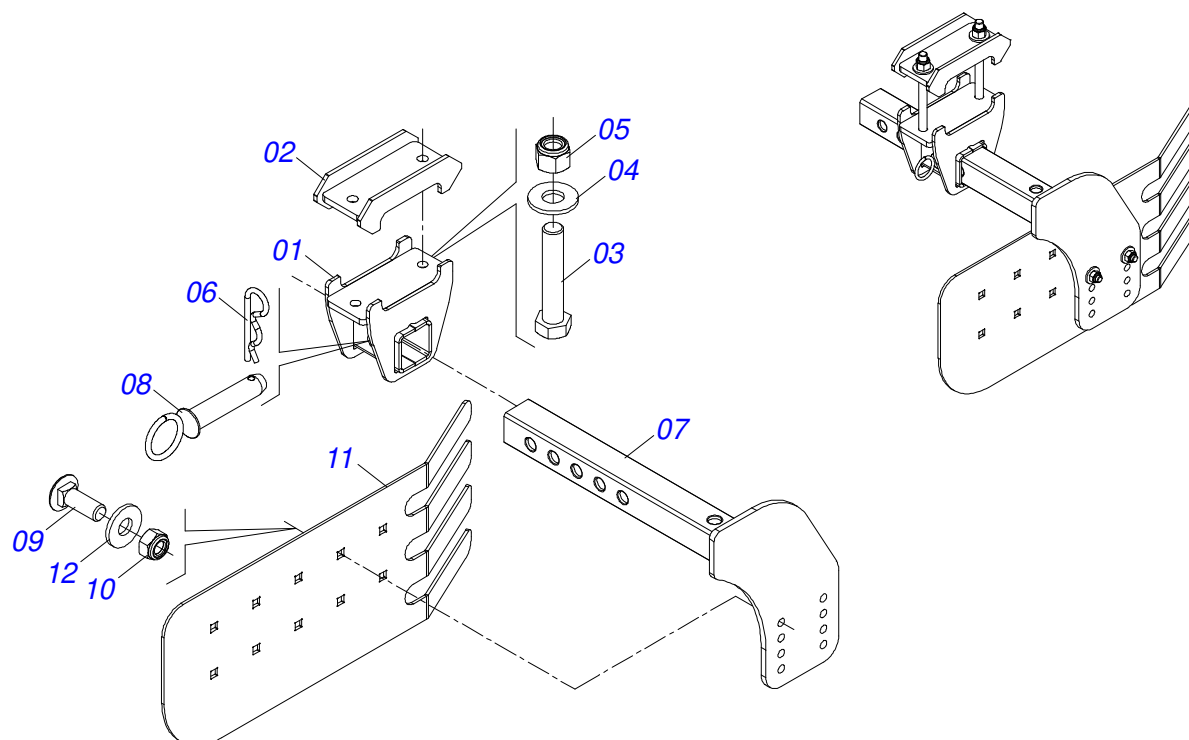
Item	Code	Description	See page	QT
01	0531060706	FRAME SIDE LEFT 35 DISCS 40FT		01
02	0503031896	DANGER DECAL		01
03	0503034078	LIFTING POINTS DECAL		04
04	0503035340	TATU LOGO DECAL		01
05	0531040867	ASSY SUPPORT	36	01
06	0521058062	HYDRAULIC CYLINDER 2" X 4 . 1/2 X 475 X 165	3	01
07	0531040071	2" X 4" X 16.90" X 4.50" HYDRAULIC CYLINDER	4	01
08	0521010779	31.75 X 95 COUPLING SHAFT		03
09	0501017779	FLAT WASHER 32 X 60 X 4,75		04
10	0503010523	1/4 X 2 SPLIT PIN		04
11	0591010852	52 X 100 X 4.75 FLAT WASHER		01
12	0503010073	3/8" X 3.1/2" SPLIT PIN		06
13	0581018185	1.1/4" UNF BOLT		01
14	0501011280	FLAT WASHER 32,50 X 75 X 4,75		01
15	0503010044	SELF LOCKING NUT 1.1/4 UNF G.5 ZN		01
16	0531060058	AXLE JOINT 339 (HOLE 319)		03
17	0591010852	52 X 100 X 4.75 FLAT WASHER		05
18	0531060468	JUNCTION AXLE 226 (HOLE 206)		02
19	0591010853	38.1 X 285 FIXING SHAFT		01
20	0591010854	SIDE FRAME SUPPORT		02
21	0571018839	20 X 75 X 8 FLAT WASHER		02
22	0503010023	3/4" SPRING WASHER		02
23	0501010098	BOLT 3/4" UNC X 2 C S G.5 ZN		02
24	0531040114	LEFT HAND WHEEL ASSY WITH HUB	37	01
25	0503062563	WHEELS AND TIRE 600/50-22.5 16L	7	01
26	0503011135	BOLT 7/16" UNC X 1.1/2" C S G.5 ZN		06
27	0503010180	7/16" SPRING WASHER		06
28	0502010477	HOSE CLAMP		06
29		LEFT SIDE DISC ASSY	38	
30	0531040068	CAGE ROLLER ASSY 40-45FT (4328)	13	01
31	0511045827	HYDRAULIC CYLINDER 2" X 5" X 1292 X 933	16	01
32	0521010547	1.2" X 6.5" COUPLING SHAFT		01



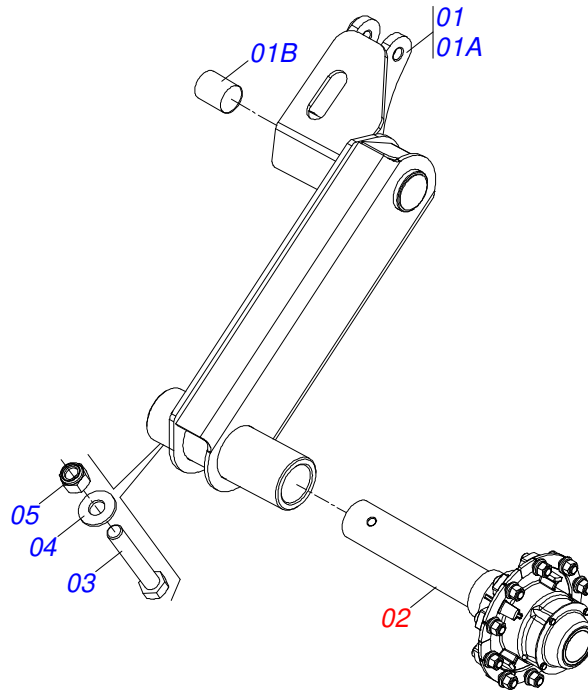
TATU SPEED DISK - 96 DISCS
LEFT HAND FRAME ASSY

Page 35
0909099050

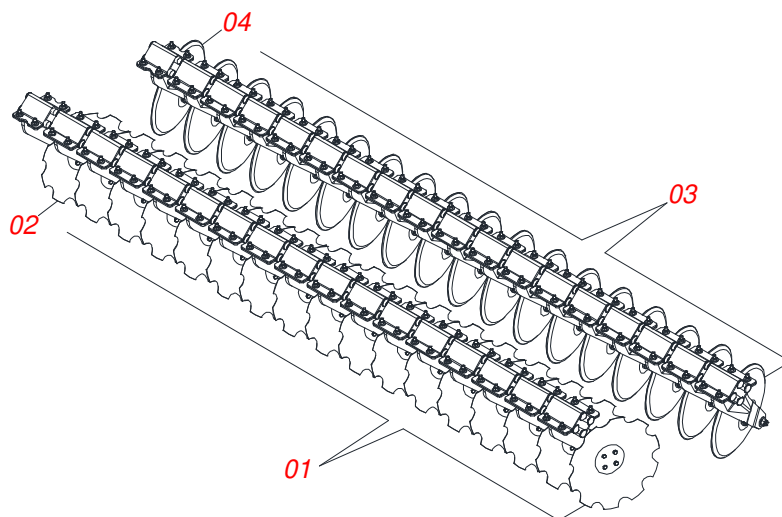
Item	Code	Description	See page	QT
33	0521012538	1.2" X 3.5" COUPLING SHAFT		01
34	0501019435	32 X 50 X 1.5 FLAT WASHER		01
35	0531061314	HYDRAULIC CYLINDER ADJUSTING SPINDLE		01
36	0501010110	1.1/2 NC 6FPP 2.3/8 HEXAGONAL NUT		02
37	0521049463	RIGHT HAND SAFETY VALVE	26	01
38	0501010617	NIPLE 3/4" NF X 3/4" NF HEX. 7/8" X 44		01
39	0503034943	3/4" UNF NIPPLE		01
40	0503010190	2-114 N 3006-9B O'RING		02



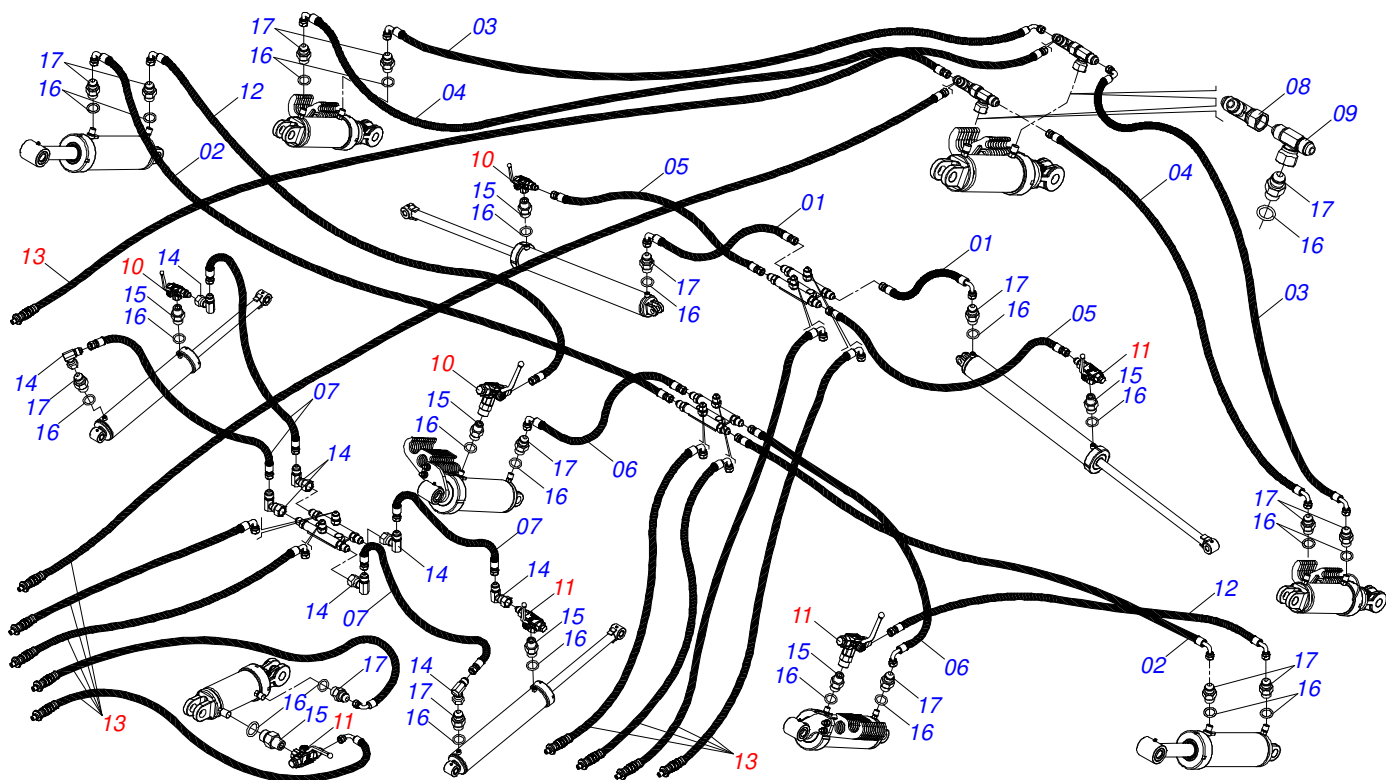
Item	Code	Description	See page	QT
01	0531061642	LOWER FIXER SIDEBOARD		01
02	0531061643	FIXER UPPER TRIMMER		01
03	0521010066	3/4" X 8.12" BOLT		02
04	0501010104	FLAT WASHER 45 X 20 X 4		02
05	0503011075	3/4 UNC LOCK NUT		02
06	0503031035	HITCH PIN CLIP		01
07	0511072213	SUPPORT		01
08	0501068992	0.9" X 4.5" COUPLING SHAFT		01
09	0503013842	5/8" UNC X 1-3/4" BOLT		02
10	0503013389	5/8" SELF LOCKING NUT		02
11	0591017342	BODY TRIMMER 350 WITH HOLE 17		01
12	0501012140	FLAT WASHER 16,50 X 40 X 4,00 ZN		02



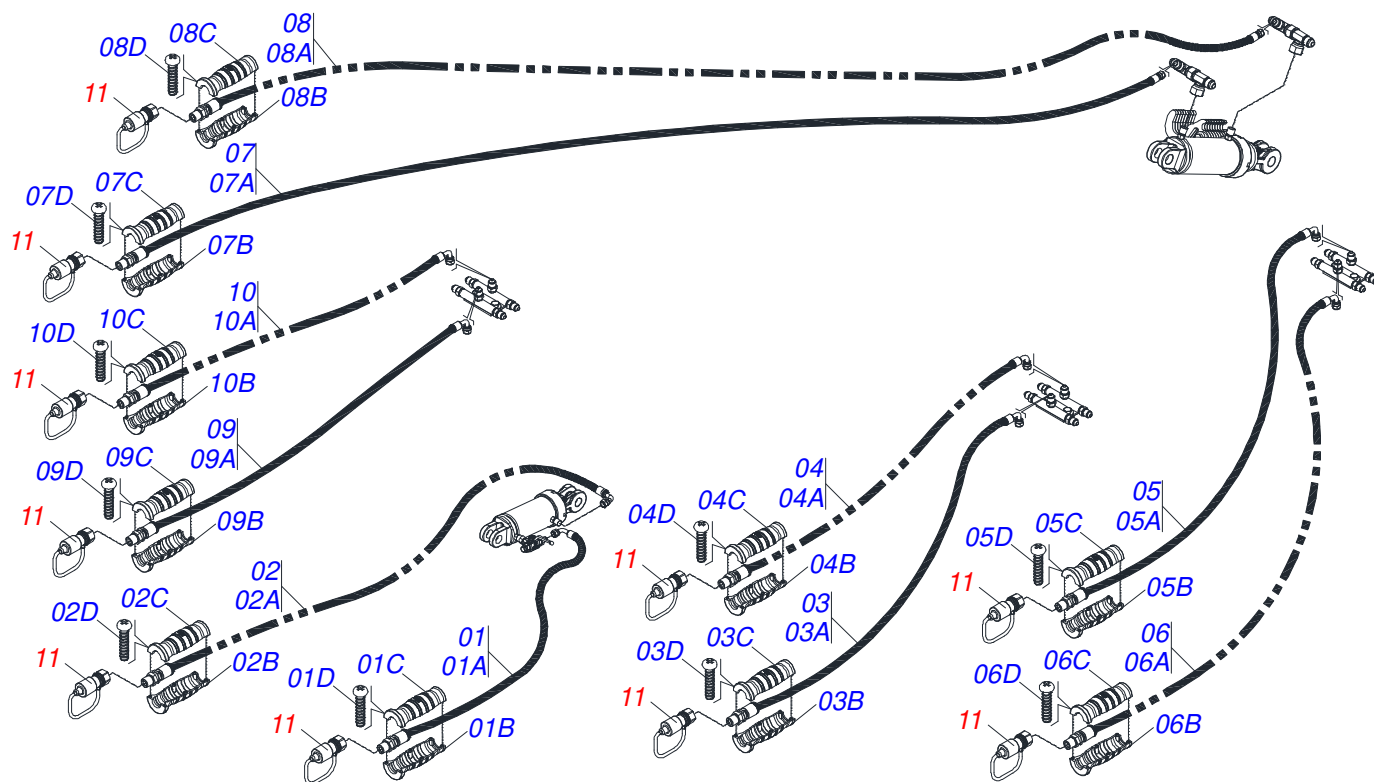
Item	Code	Description	See page	QT
01	0521058057	LEFT SIDE WHEEL (820) WITH GLOVES		01
01A	0531060917	LEFT SIDE WHEEL (820)		01
01B	0503019271	SELF LUBRICATING BUSHING		02
02	0521049580	WHEEL HUB ASSY 25-45FT	6	01
03	0501013475	BOLT 3/4" UNC X 7.1/2" C S G.5 ZN		01
04	0501010104	FLAT WASHER 45 X 20 X 4		01
05	0503011075	3/4 UNC LOCK NUT		01



Item	Code	Description	See page	QT
01		FRONT SHANK ASSY	8	
02		FRONT SHANK ASSY (JUNCTION)	9	
03		REAR SHANK ASSY	10	
04		REAR SHANK ASSY (JUNCTION)	11	



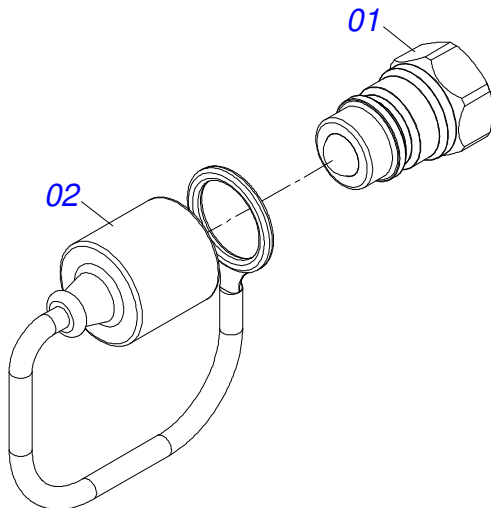
Item	Code	Description	See page	QT
00	0521058160	TATU SPEED DISK 96D HOSE KIT		01
01	0501082331	3/8" X 1600 TR-TC HOSE ASSY		02
02	0501082328	3/8" X 4100 TC-TM HOSE ASSY		02
03	0501082338	3/8" X 5300 HOSE ASSY		02
04	0501082339	3/8 X 5000 TR-TC HOSE		02
05	0501082330	3/8" X 2600 TR-TR HOSE ASSY		02
06	0501082313	3/8 X 1100 TR-TC HOSE PARKER		02
07	0501082362	HOSE 3/8 X 750 TR-TR PARKER SPEED DISK		04
08	0503011968	NUT 3/4" 8R6X-S T ADAPTER WITH SWIVEL		02
09	0503037376	3/4" T ADAPTER WITH SWIVEL NUT		02
10	0521049464	LEFT HAND SAFETY VALVE	31	03
11	0521049463	RIGHT HAND SAFETY VALVE	26	04
12	0501082329	3/8" X 3700 TR-TC HOSE		02
13		HOSE ASSY	40	
14	0503018034	HYDRAULIC FITTING JIC 37 X R.3/4 UNF		08
15	0503034943	3/4" UNF NIPPLE		07
16	0503010190	2-114 N 3006-9B O'RING		24
17	0501010617	NIPLE 3/4" NF X 3/4" NF HEX. 7/8" X 44		17



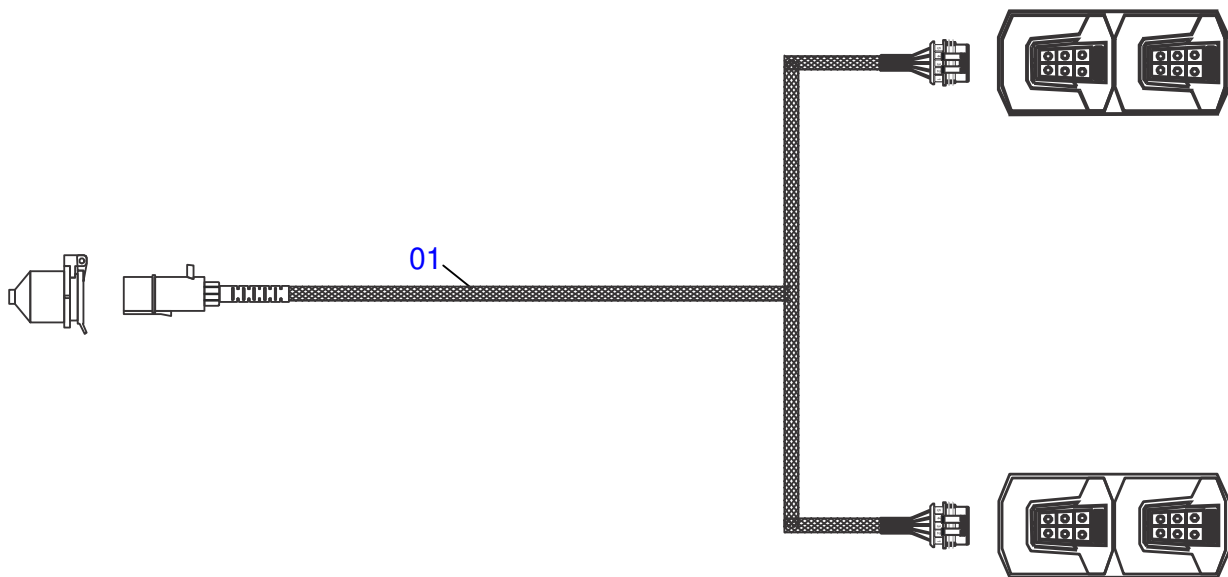
Item	Code	Description	See page	QT
01	0521058258	3/8 X 3900 TC-TM HOSE PURPLE / RED		01
01A	0501082320	3/8 X 3900 TC-TM HOSE		01
01B	0503034491	HYDRAULIC HOSE GRIP (PURPLE)		01
01C	0503034495	HYDRAULIC HOSE GRIP (RED)		01
01D	0503018952	PH 2,5 X 10 ZB PLASTIC BOLT		06
02	0521058257	3/8 X 3900 TC-TM HOSE PURPLE / BLUE		01
02A	0501082320	3/8 X 3900 TC-TM HOSE		01
02B	0503034491	HYDRAULIC HOSE GRIP (PURPLE)		01
02C	0503034494	HYDRAULIC HOSE GRIP (BLUE)		01
02D	0503018952	PH 2,5 X 10 ZB PLASTIC BOLT		06
03	0521058353	3/8" X 10400 TC-TM HOSE BLACK / RED		01
03A	0501082336	3/8" X 10400 TC-TM HOSE		01
03B	0503034492	HYDRAULIC HOSE GRIP (BLACK)		01
03C	0503034495	HYDRAULIC HOSE GRIP (RED)		01
03D	0503018952	PH 2,5 X 10 ZB PLASTIC BOLT		06
04	0521058352	3/8 X 10400 TC-TM HOSE BLACK / BLUE		01
04A	0501082336	3/8" X 10400 TC-TM HOSE		01
04B	0503034492	HYDRAULIC HOSE GRIP (BLACK)		01
04C	0503034494	HYDRAULIC HOSE GRIP (BLUE)		01
04D	0503018952	PH 2,5 X 10 ZB PLASTIC BOLT		06
05	0521058351	3/8 X 11000 TC-TM HOSE BROWN / RED		01
05A	0501082335	3/8" X 11000 TC-TM HOSE		01
05B	0503034490	HYDRAULIC HOSE GRIP (BROWN)		01
05C	0503034495	HYDRAULIC HOSE GRIP (RED)		01
05D	0503018952	PH 2,5 X 10 ZB PLASTIC BOLT		06
06	0521058350	3/8 X 11000 TC-TM HOSE BROWN / BLUE		01
06A	0501082335	3/8" X 11000 TC-TM HOSE		01
06B	0503034490	HYDRAULIC HOSE GRIP (BROWN)		01
06C	0503034494	HYDRAULIC HOSE GRIP (BLUE)		01
06D	0503018952	PH 2,5 X 10 ZB PLASTIC BOLT		06
07	0521058349	3/8 X 11300 TR-TM HOSE GRAY / RED		01
07A	0501082334	3/8 X 11300 TR-TM HOSE		01



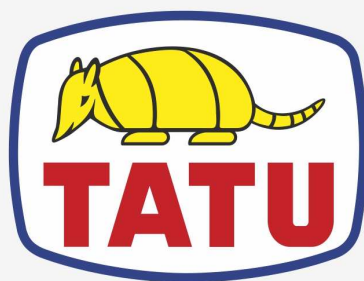
Item	Code	Description	See page	QT
07B	0503034489	HYDRAULIC HOSE GAUNTLET (GRAY)		01
07C	0503034495	HYDRAULIC HOSE GRIP (RED)		01
07D	0503018952	PH 2,5 X 10 ZB PLASTIC BOLT		06
08	0521058348	3/8 X 11600 TR-TM HOSE GRAY / BLUE		01
08A	0501082333	3/8" X 11600 TR-TM HOSE		01
08B	0503034489	HYDRAULIC HOSE GAUNTLET (GRAY)		01
08C	0503034494	HYDRAULIC HOSE GRIP (BLUE)		01
08D	0503018952	PH 2,5 X 10 ZB PLASTIC BOLT		06
09	0521058347	3/8 X 8400 HOSE TC-TM GREEN / RED		01
09A	0501082332	3/8" X 8400 TC-TM HOSE		01
09B	0503034497	HYDRAULIC HOSE GRIP (GREEN)		01
09C	0503034495	HYDRAULIC HOSE GRIP (RED)		01
09D	0503018952	PH 2,5 X 10 ZB PLASTIC BOLT		06
10	0521058346	3/8 X 8400 TC-TM HOSE GREEN / BLUE		01
10A	0501082332	3/8" X 8400 TC-TM HOSE		01
10B	0503034497	HYDRAULIC HOSE GRIP (GREEN)		01
10C	0503034494	HYDRAULIC HOSE GRIP (BLUE)		01
10D	0503018952	PH 2,5 X 10 ZB PLASTIC BOLT		06
11	0531051662	PIN QUICK HITCH	41	10



Item	Code	Description	See page	QT
01	0513010215	PIN QUICK HITCH 1/2 NPT ISO 7241-1A		01
02	0503011882	MALE QUICK COUPLER CAP		01



Item	Code	Description	See page	QT
01	0503035288	WIRE HARNESS 9000 35-45FT		01



MARCHESAN

Technical Publications | Elaboration and Revision

ALESSANDRA PATRICIA KAWAHARA CARRILI

www.marchesan.com.br

