

**OFFSET DISK HARROW**

**ATCR 44D - 04 AXLES**  
**ATCR 44D - 04 EIXOS**

**Code:** 0501092740  
**Series:** S-0304  
**Revision:** 00  
**Revision Date:** JUNE/2020

# PARTS CATALOGUE



**MARCHESAN**



# PRODUCTS

Code	Working Width	Description
0102440301		ATCR 44 X 24 X 6,00 DM 4EIXOS S0304

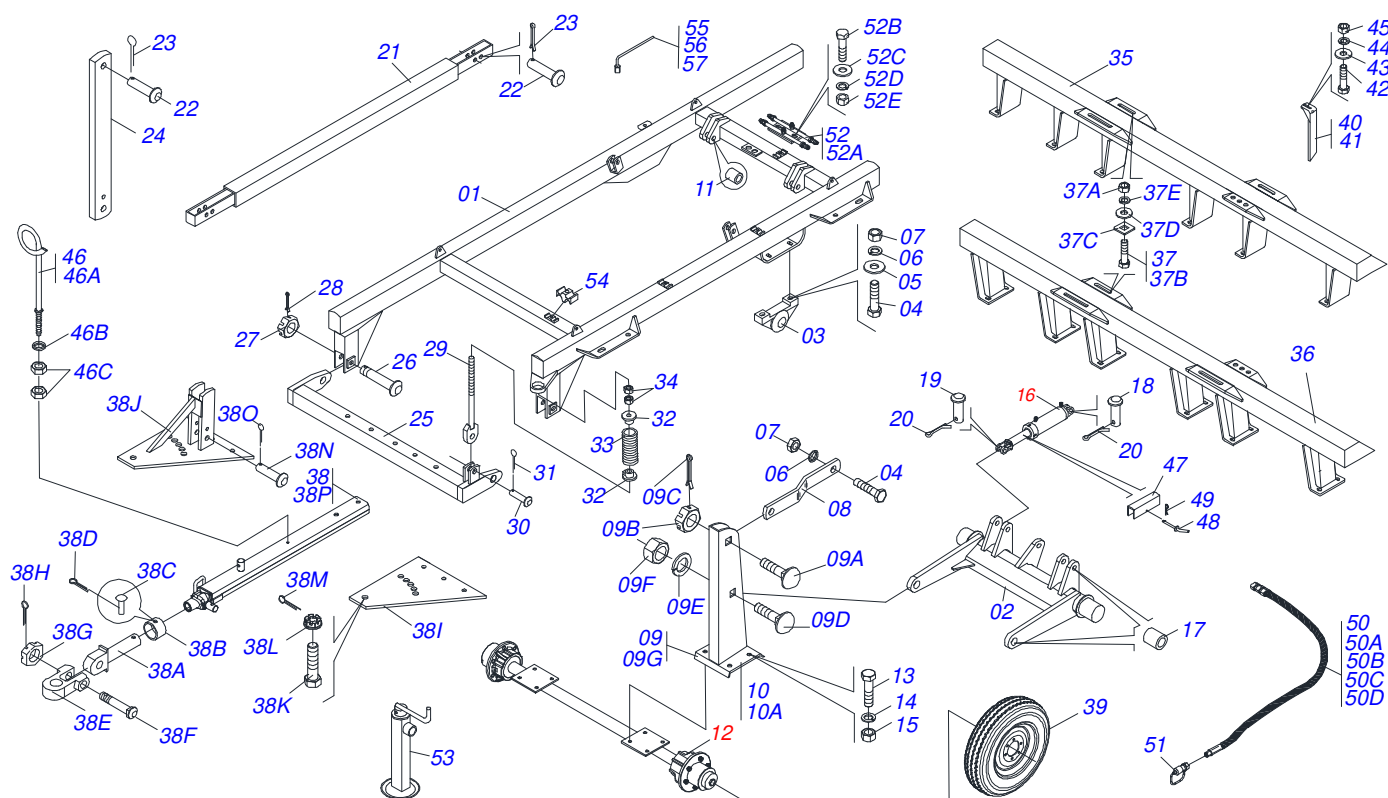
## ATTENTION: IMPORTANT

Marchesan S.A. reserves the right to improve and/or modify the technical features of its products, without obligation to do the same with those products already sold and without prior knowledge of the dealer or the customer. The photos are only illustrative.



# INDEX

0909098996	ASSY FRAME	.....	1
0501046307	DRAWBAR ASSY	.....	2
0503060005	29.5"X0.63"-10L WHEEL WITH TIRE ASSY	.....	3
0511048088	DRAWBAR JACK	.....	4
0501043197	BEARING	.....	5
0501047809	3" X 85"STUB SHAFT & HUB ASSY	.....	6
0501054147	RIGHT SUSPENSION TOWER	.....	7
0501054148	LEFT SUSPENSION TOWER	.....	8
0511059181	HYDRAULIC CYLINDER 50,80 X 101,60 X 515 X 248	.....	9
0909098993	DISK SECTION	.....	10

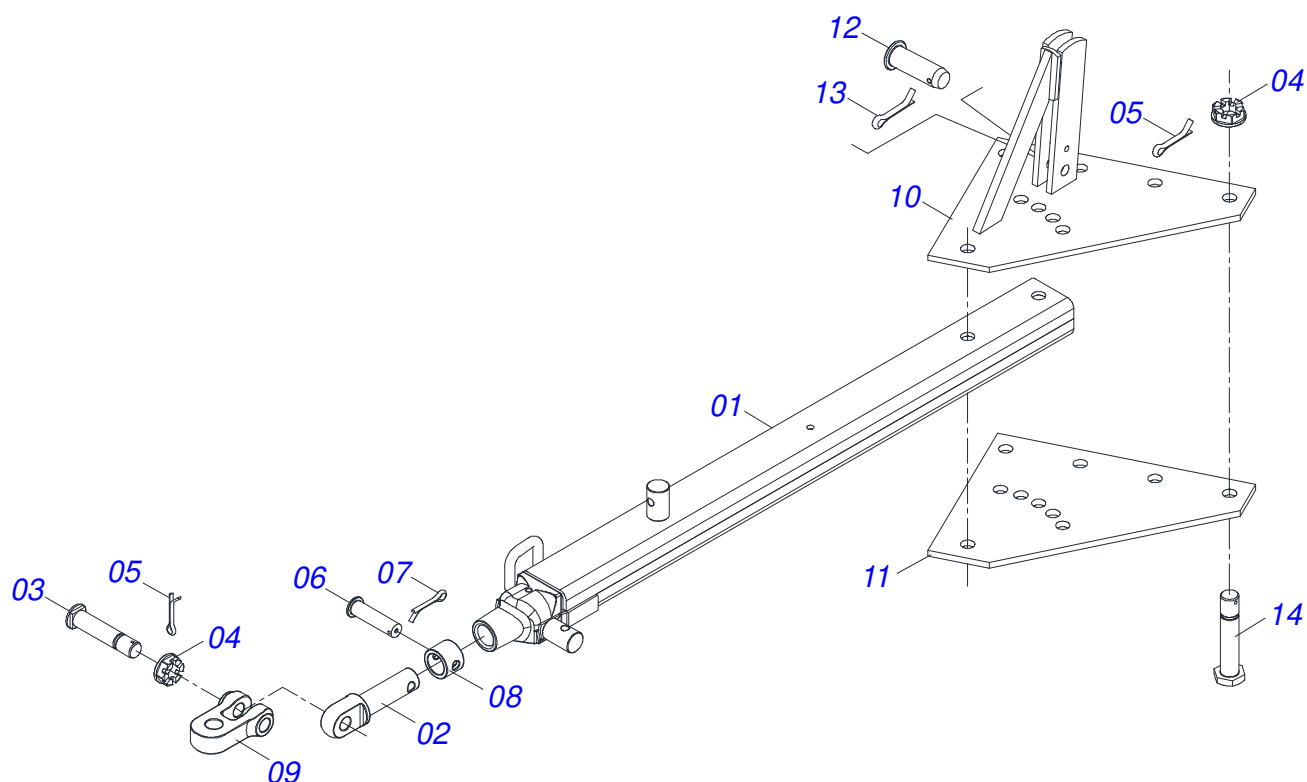


Item	Code	Description	See page	QT
01	0501067290	CENTER FRAME		01
02	0501067244	WHEELS		01
03	0502010972	ARTICULACION BEARING		02
04	0503011432	BOLT		04
05	0501010065	1" SPRING WASHER		04
06	0503011438	SPRING WASHER		04
07	0501010059	1.5/8 NUT		04
08	0501110404	SUPPORT BAR		02
09	0501054147	RIGHT SUSPENSION TOWER	7	01
09.	0501068260	RIGHT SUSPENSION TOWER		01
09A	0511018006	1-1/2 X 4.13" U BOLT OF SUSP TOWER		01
09A.	0511018006	1-1/2 X 4.13" U BOLT OF SUSP TOWER		01
09B	0501011301	1.1/2" UNC 6FPP 2.5/16" NUT		01
09B.	0501011301	1.1/2" UNC 6FPP 2.5/16" NUT		01
09C	0503010010	SPLIT PIN 1/4" X 2.1/2"		01
09C.	0503010010	SPLIT PIN 1/4" X 2.1/2"		01
09D	0511017974	1" U BOLT SUSPENSION TOWER		01
09D.	0511017974	1" U BOLT SUSPENSION TOWER		01
09E	0503010012	1" SPRING WASHER		01
09E.	0503010012	1" SPRING WASHER		01
09F	0501010059	1.5/8 NUT		01
09F.	0501010059	1.5/8 NUT		01
09G	0501068260	RIGHT SUSPENSION TOWER		01
10	0501054148	LEFT SUSPENSION TOWER	8	01
10.	0501068261	LEFT SUSPENSION TOWER		01
10A	0501068261	LEFT SUSPENSION TOWER		01
11	0511019921	1.3" X 0.1" X 1" SLEEVE		01
12	0501051885	CARRYING-WHEELS		02
13	0501810125	SCREW 3/4 UNC X 2.1/2 C S G.5		08
14	0503011442	3/4" SPRING WASHER		08

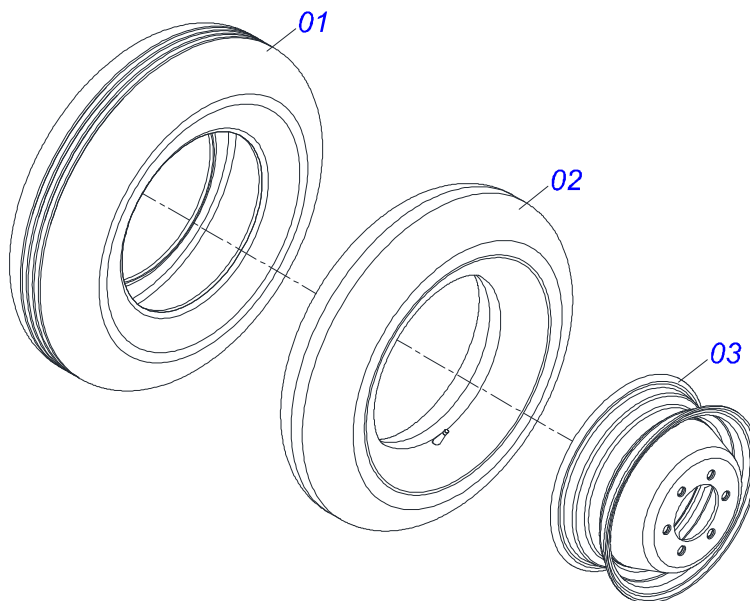
ASSY FRAME

Item	Code	Description	See page	QT
15	0503010014	3/4" ZN G.5 (HEAVY) UNC HEX NUT		08
16	0511059181	HYDRAULIC CYLINDER 50,80 X 101,60 X 515 X 248	9	02
17	0521010737	50,4/50,6X 38,5 X 35 SLEEVE		02
18	0521010546	1.2" X 5.7" COUPLING SHAFT		02
19	0521010547	1.2" X 6.5" COUPLING SHAFT		02
20	0503010523	1/4" X 2" SPLIT PIN		04
21	0501067243	STABILIZER BAR		01
22	0521810575	COUPLING SHAFT		02
23	0503010571	1/4" X 1.1/2" SPLIT PIN		02
24	0511013526	STABILIZER BAR TOWER		01
25	0501067241	OFFSET BAR		01
26	0521817538	COUPLING SHAFT		02
27	0501011301	1.1/2" UNC 6FPP 2.5/16" NUT		02
28	0503010010	SPLIT PIN 1/4" X 2.1/2"		02
29	0501064699	SPRING ROD		01
30	0521010592	1.1" X 3.1" COUPLING SHAFT		01
31	0503010571	1/4" X 1.1/2" SPLIT PIN		01
32	0502020394	SPRING SUPPORT		02
33	0503030441	12.7" X 5.7" X 0.5"SPRING		01
34	0501810087	NUT - 1.1/4 UNC 7FPP (SEXT.2) SA		02
35	0511065795	REAR FRAME		01
36	0511065794	FRAME FRONT		01
37	0501040877	C1" X 3-1/4" ASSY BOLT		08
37A	0501010059	1.5/8 NUT		08
37B	0501010171	BOLT 1 UNC X 3.1/2 C S G.5		08
37C	0502012861	1" SQUARE WASHER		08
37D	0501010065	1" SPRING WASHER		08
37E	0503010012	1" SPRING WASHER		08
38	0501046307	DRAWBAR ASSY	2	01
38A	0502040727	COUPLING SHAFT		01
38B	0502040327	HITCH LOCK RING		01
38C	0511014902	COUPLING SHAFT		01
38D	0503010571	1/4" X 1.1/2" SPLIT PIN		01
38E	1902040733	U COUPLING HOOK		01
38F	0501017290	1-1/2" X 7.7" BOLT		01
38G	0501011301	1.1/2" UNC 6FPP 2.5/16" NUT		01
38H	0503010010	SPLIT PIN 1/4" X 2.1/2"		01
38I	0511016137	UPPER /LOWER PLATE		01
38J	0501067250	UPPER PLATE WITH SUPPORT		01
38K	0501016419	1-1/2" X 7.5" BOLT		06
38L	0501011301	1.1/2" UNC 6FPP 2.5/16" NUT		06
38M	0503010010	SPLIT PIN 1/4" X 2.1/2"		06
38N	0521010779	31.75 X 95 COUPLING SHAFT		01
38O	0503010523	1/4" X 2" SPLIT PIN		01
38P	0501069323	TRACTION BAR		01
39	0503060005	29.5"X0.63"-10L WHEEL WITH TIRE ASSY	3	02
40	0501064168	FRONT SCRAPER		13
41	0501064167	REAR SCRAPER		13
42	0503010740	BOLT 1/2 UNC X 2 CS G.5 ZN		60
43	0511017302	FLAT WASHER 13,50 X 32,50 X 3,0 ZN		120
44	0503010019	1/2" SPRING WASHER		60
45	0503010060	1/2 UNC G.5 ZN HEX NUT		60
46	0501040257	ASSY 3/4 X 38 HOSE SUPPORT		01
46A	0511067334	HOSE SUPPORT		01
46B	0501010322	20,50 X 46 X 4,00 ZN FLAT WASHER		02
46C	0503010014	3/4" ZN G.5 (HEAVY) UNC HEX NUT		02
47	0501066386	TRANSPORT LOCK 9.54"		02

Item	Code	Description	See page	QT
48	0501068994	8,30 X 78 LOCK PIN		01
49	0503030168	HITCH PIN CLIP		02
50	0501051043	HOSE ASSY		01
50A	0501080054	3/8" X 17" TR-TC HOSE ASSY		02
50B	0501080413	3/8" X 27" TR-TC HOSE		02
50C	0501080458	3/8" X 315" TC-TM HOSE ASSY		01
50D	0501080459	3/8" X 322" TC-TM HOSE ASSY		01
50E	0503033158	PLASTIC BAG		01
51	0501053834	MALE QUICK COUPLER		02
52	0501051611	CONNECTION ASSY		01
52A	0501068706	DOUBLE CONNECTION		01
52B	0503010237	3/8" X 1" BOLT		02
52C	0501010984	10,50 X 27 X 3,00 FLAT WASHER		02
52D	0503010025	3/8 SPRING WASHER		02
52E	0503010026	3/8" NUT		02
53	0511043153	DRAWBAR JACK		01
54	0502010477	HOSE CLAMP		05
55	0501061617	1" GANG BOLT WRENCH		01
56	0503016140	3/4" WRENCH CABLE CYLINDRICAL		02
57	0501011431	1-3/4" GANG BOLT WRENCH		01

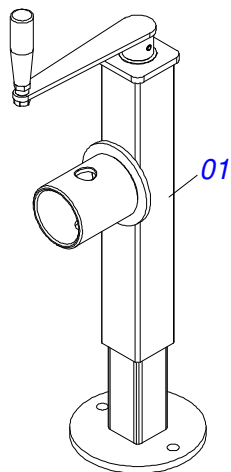


Item	Code	Description	See page	QT
01	0501069323	TRACTION BAR		01
02	1902040223	PIN HITCH		01
03	0521012545	COUPLING SHAFT		01
04	0501011301	1.1/2" UNC 6FPP 2.5/16" NUT		07
05	0503010010	SPLIT PIN 1/4" X 2.1/2"		07
06	0511014902	COUPLING SHAFT		01
07	0503010571	1/4" X 1.1/2" SPLIT PIN		01
08	1902040327	LOCK SLEEVE		01
09	1902040732	COUPLING		01
10	0501067250	UPPER PLATE WITH SUPPORT		01
11	0511016137	UPPER /LOWER PLATE		01
12	0521010779	31.75 X 95 COUPLING SHAFT		01
13	0503010523	1/4" X 2" SPLIT PIN		01
14	0501016419	1-1/2" X 7.5" BOLT		06

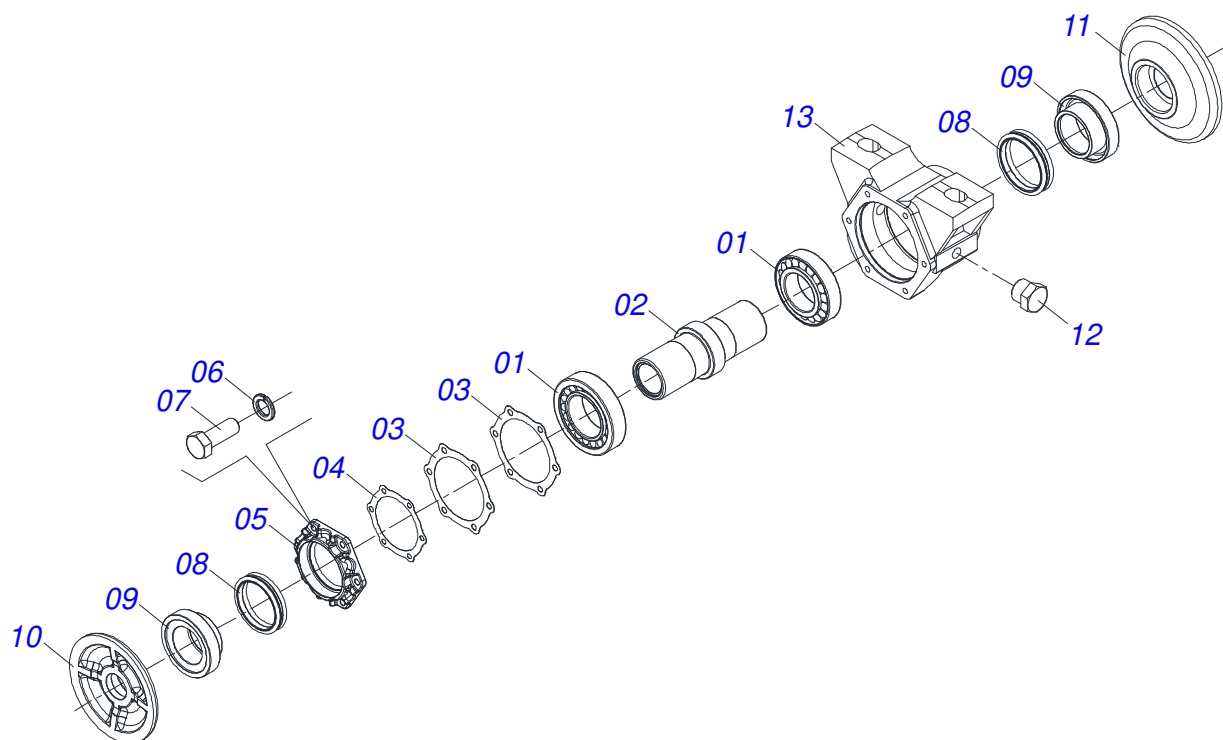


Item	Code	Description	See page	QT
01	0503010120	CANVAS TIRE		01
02	0503010033	7.50 X 16 INNER TIRE		01
03	0501061845	0.2"X0.6"X5.1"X6F0.6"X6.8"-D WHEEL		01

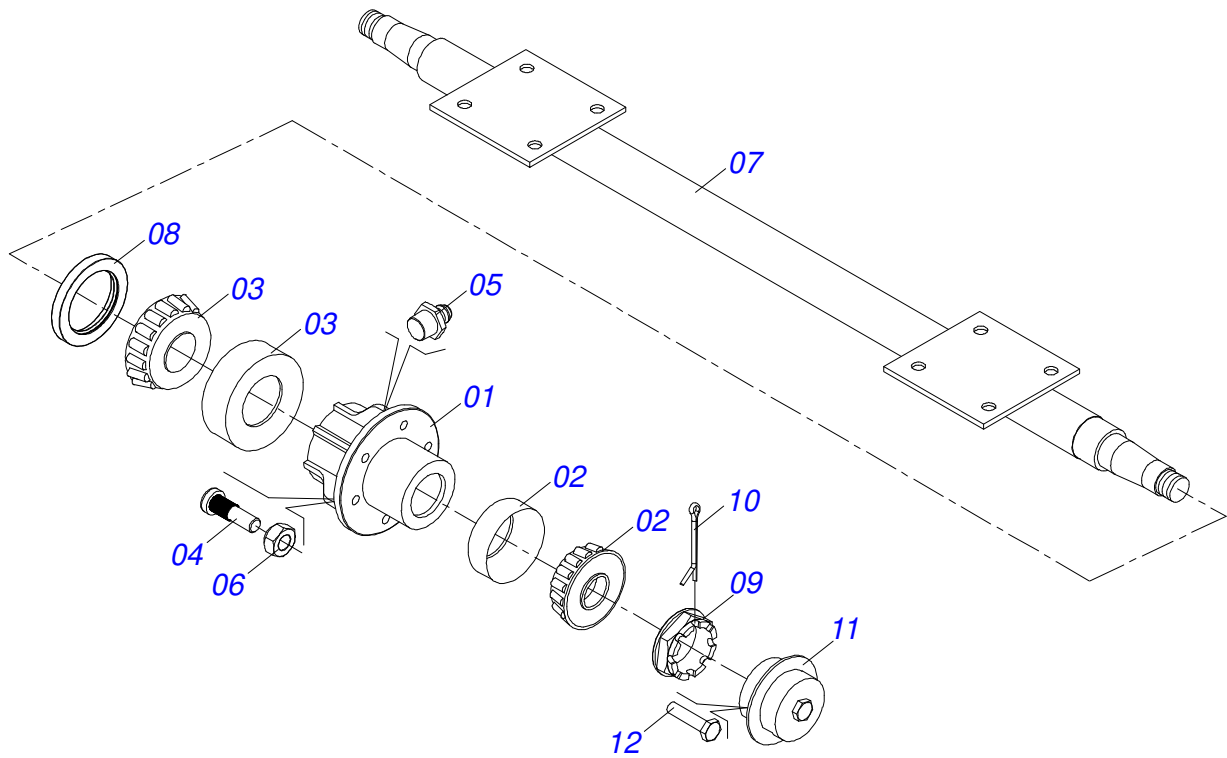




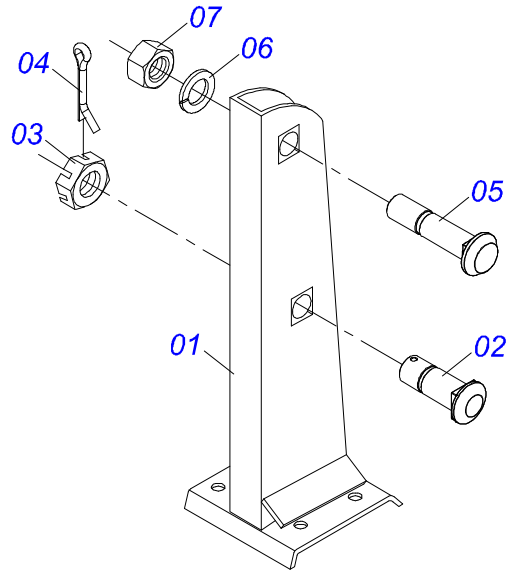
Item	Code	Description	See page	QT
01	0503062227	DRAWBAR JACK		01



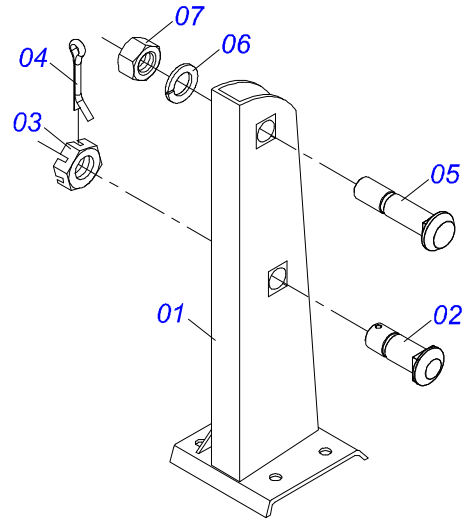
Item	Code	Description	See page	QT
01	0503010005	32212 ROLLER BEARING		02
02	0502010899	AXLE CM/DM		01
03	0503030030	5.6" X 4.4" X 0.01" GASKET		02
04	0503030685	5.5" X 4.4" X 0.003" GASKET		01
05	0502020161	WEAR PLATE BEARING		01
06	0503011443	SPRING WASHER 3/8"		06
07	0503010237	3/8" X 1" BOLT		06
08	0503030027	DUO-CONE SEAL		02
09	0502040287	SEAL RETAINER		02
10	0502040239	OUTER FLANGE		01
11	0502040240	INNER FLANGE		01
12	0503010856	OIL PLUG R 3/8 BSPT		02
13	0502020481	HOUSING DM		01



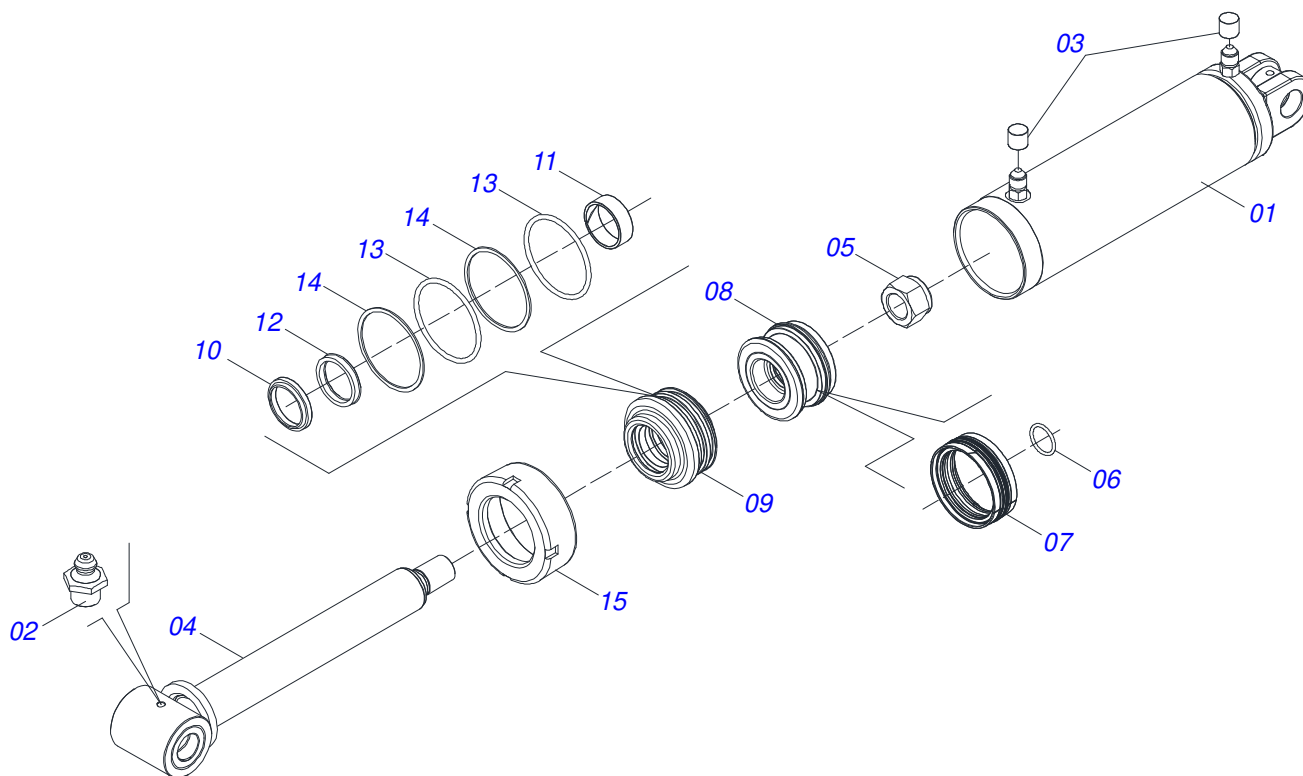
Item	Code	Description	See page	QT
01	0502011389	BOX		02
02	0503010006	32210 ROLLER BEARING		02
03	0503010005	32212 ROLLER BEARING		02
04	0501010186	WHEEL BOLT 5/8" UNF X 2.1/8CR		12
05	0503010002	1800 GREASE FITTING		02
06	0503010064	5/8 UNF CONIC NUT		12
07	0501067004	3" X 85" AXLE		01
08	0503011866	SEAL 00573-B WITH HOLE		02
09	0501010888	1.3/4" 2.5/16" CASTLE NUT		02
10	0503010010	SPLIT PIN 1/4" X 2.1/2"		02
11	0502020593	COVER		02
12	0503010295	SCREW 5/16 UNC X 5/8 CS G.2 ZN		02



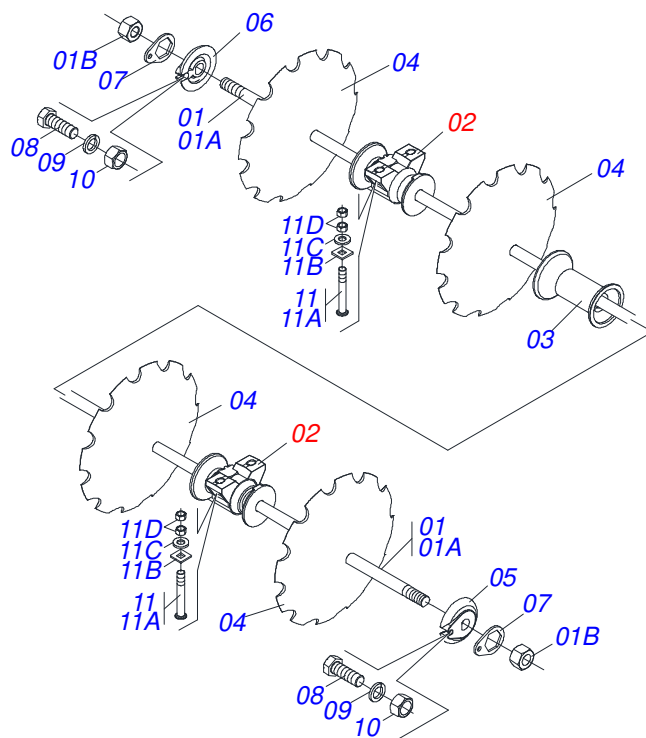
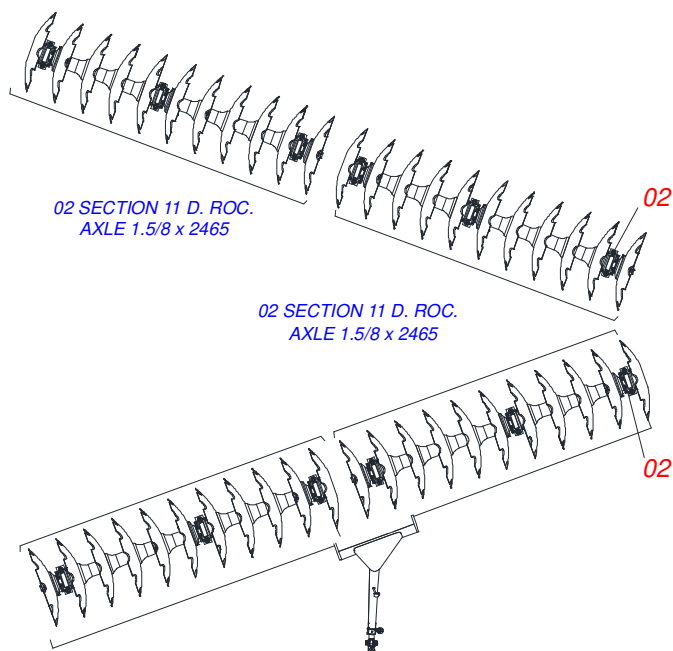
Item	Code	Description	See page	QT
01	0501068260	RIGHT SUSPENSION TOWER		01
02	0511018006	1-1/2 X 4.13" U BOLT OF SUSP TOWER		01
03	0501011301	1.1/2" UNC 6FPP 2.5/16" NUT		01
04	0503010010	SPLIT PIN 1/4" X 2.1/2"		01
05	0511017974	1" U BOLT SUSPENSION TOWER		01
06	0503010012	1" SPRING WASHER		01
07	0501010059	1.5/8 NUT		01



Item	Code	Description	See page	QT
01	0501068261	LEFT SUSPENSION TOWER		01
02	0511018006	1-1/2 X 4.13" U BOLT OF SUSP TOWER		01
03	0501011301	1.1/2" UNC 6FPP 2.5/16" NUT		01
04	0503010010	SPLIT PIN 1/4" X 2.1/2"		01
05	0511017974	1" U BOLT SUSPENSION TOWER		01
06	0503010012	1" SPRING WASHER		01
07	0501010059	1.5/8 NUT		01



Item	Code	Description	See page	QT
01	0501067256	4" X 16" CYLINDER CASE		01
02	0503010002	1800 GREASE FITTING		02
03	0503030385	CYLINDER PLUG N-002		02
04	0521066345	50,80 X 452 TURNBUCLE		01
05	0503010817	SELF LOCKING NUT 1.1/4 UNF ALTA G.5 ZN		01
06	0503010345	2-218 N 3006-9B O-RING		01
07	0503015633	SELEMASTER SEALING		01
08	0502012842	50,80 X 101,60 PISTON		01
09	0581010678	50,80 X 101 RING SUPPORT		01
10	0503015636	SCRAPER SEAL		01
11	0503018025	RING GUIDE W2-2250-750		01
12	0503018026	GASKET 1870-2000-375 B POLYMAX		01
13	0503010338	2-342 N 3006-9B O-RING		02
14	0503011061	8-342 BACK-UP RING		02
15	0502012822	END CAP 4"		01



Item	Code	Description	See page	QT
01	0501044429	1-5/8" X 2465 AXLE		04
01A	0511013535	1.5/8" X 2465 5AXLE		01
01B	0502040640	1.5/8" 2.3/4" NUT		02
02	0501043197	BEARING	5	16
03	0502010626	8.9" 1-5/8" SPACER		20
04	0602030369	24" X 0.2" NOTCHED DISC BLADE		22
05	0502011048	1-5/8" EXTERNAL AXLE WASHER		08
06	0502011047	1-5/8" INNER AXLE WASHER		08
07	0511014339	1-5/8" 2.8" NUT LOCK		16
08	0503010232	5/8" X 1.3/4" BOLT		16
09	0503010027	5/8 SPRING WASHER		16
10	0503010013	5/8" UNC G.5 ZN HEX NUT		16
11	0511040034	3/4" X 3-1/4" BOLT ASSY		32
11A	0501017303	3/4" X 3-1/4" BOLT		32
11B	0501010949	3/4" SQUARE WASHER		32
11C	0501010322	20,50 X 46 X 4,00 ZN FLAT WASHER		32
11D	0503010014	3/4" ZN G.5 (HEAVY) UNC HEX NUT		64







**MARCHESAN**

**Technical Publications | Elaboration and Revision**

ALESSANDRA PATRICIA KAWAHARA CARRILI

[www.marchesan.com.br](http://www.marchesan.com.br)

