

PARTS CATALOGUE



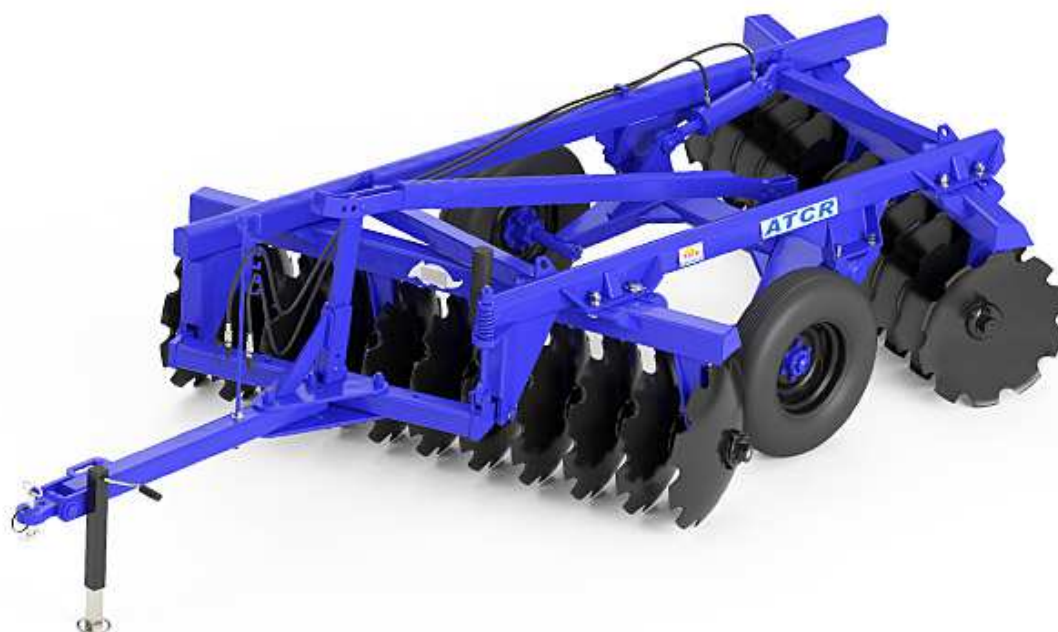
OFFSET DISK HARROW

Code:

0501092739

Product:

ATCR 16/20 DISC



Series:

S-0910

Revision:

00

Date Revision:

MAIO/2020



PRODUCTS

Code	Description	
0102440399	ATCR 16 X 28 X 6,0 DMO	S-0910
0102440401	ATCR 20 X 28 X 6,0 DMO	S-0910

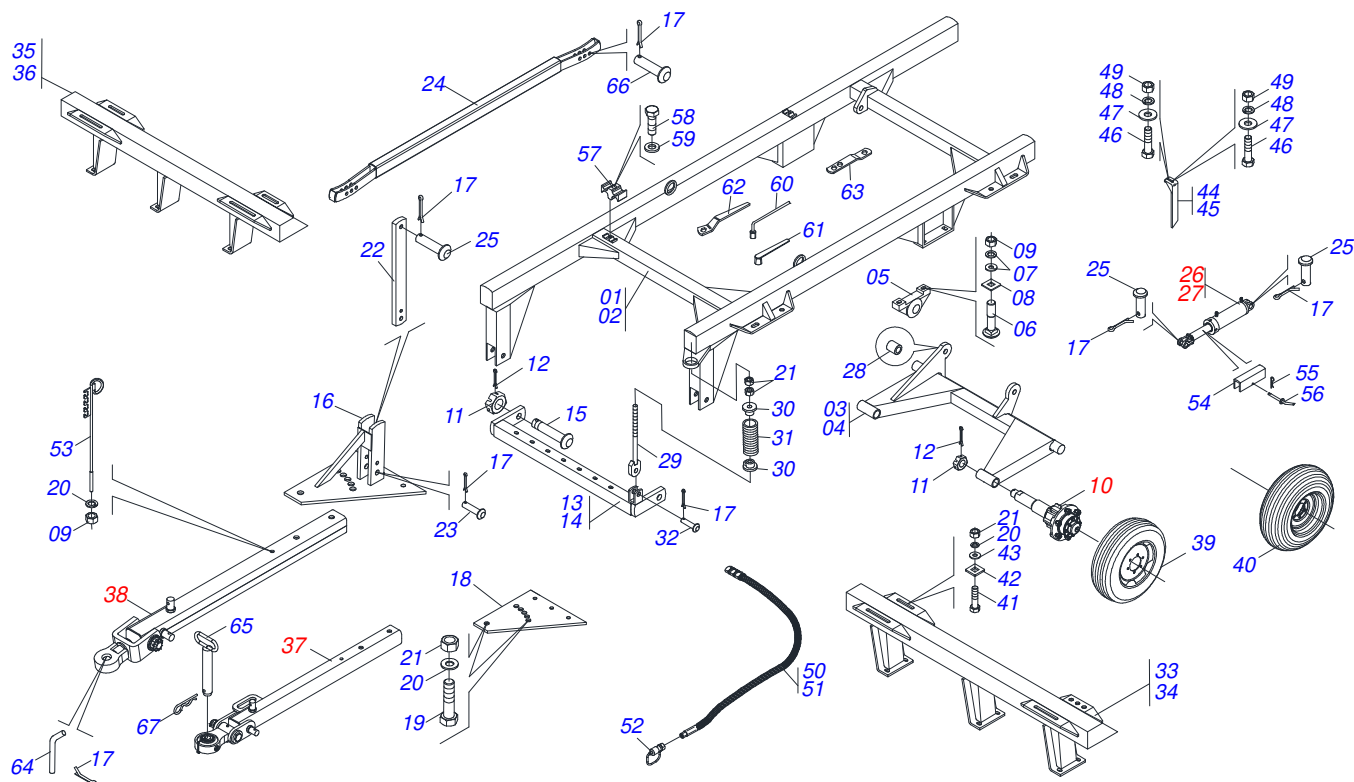
ATTENTION: IMPORTANT

Marchesan S.A. reserves the right to improve and / or modify the technical features of its products, without obligation to do the same with those products already sold and without prior knowledge of the dealer or the consumer.



INDEX

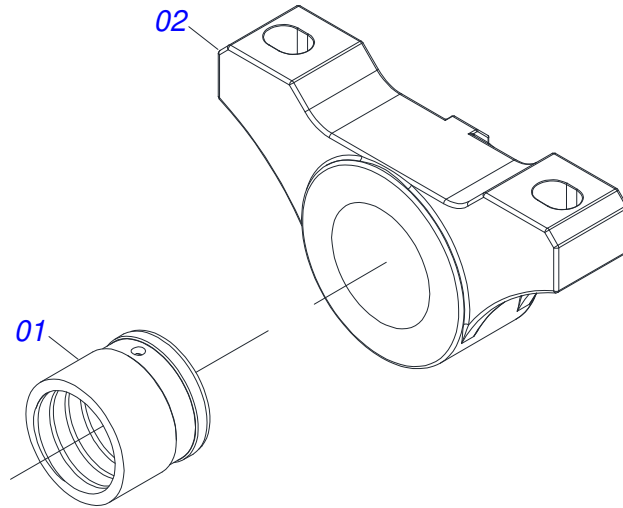
0909098991	FRAME 16/20	1
0501110856	ARTICULACION BEARING	2
0501051634	TSTUB SHAFT & HUB ASSY	3
0511058298	HYDRAULIC CYLINDER	4
0501041096	DRAWBAR ASSY	5
0503060094	WHEEL AND TIRE ASSY	6
0503011360	HOSE KIT	7
0521048502	ASSY TRACTION BAR	8
0503060091	L29.5"X0.63"-10L WHEEL AND	9
0909098985	GANG DISC 16	10
0909098990	SECTION DISQUE 20	11
0503062157	HEADER JACK	12



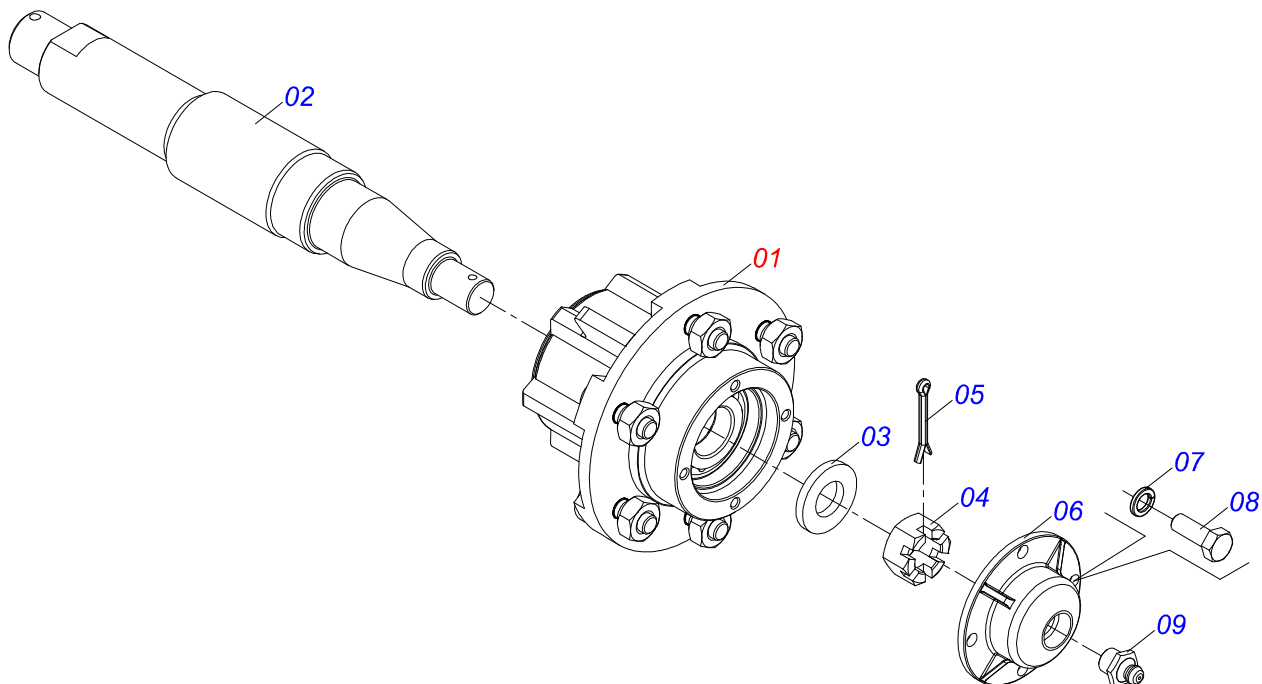
Item	Code	Description	See page	16 20
01	0511066917	FRAME 12 TO 16		01 00
02	0501065574	FRAME		00 01
03	0501066950	CARRYING-WHEELS		01 00
04	0501065518	CARRYING-WHEELS		00 01
05	0502010006	ARTICULACION BEARING		01 01
05.	0501110856	ARTICULACION BEARING	2	02 02
06	0503810797	BOLT		01 01
07	0501010322	FLAT WASHER		01 01
08	0502012861	1" SQUARE WASHER		01 01
09	0503010014	3/4" NUT		02 02
10	0501051636	STUB SHAFT & HUB ASSY		02 02
11	0501011301	1.1/2 UNC 6FPP 2.5/16 NUT		02 02
12	0503010010	1/4" X 2.1/2" COTTERPIN		02 02
13	0501060370	OFFSET BAR		01 01
14	0511066932	CSTABILIZER BARCOTTERPIN		01 01
15	0521817538	COUPLING SHAFT		02 02
16	0501066099	UPPER PLATE WITH SUPPORT		01 01
17	0503010571	1/4" X 1.1/2 COTTERPIN		06 06
18	0511013000	UPPER /LOWER PLATE		01 01
19	0501810334	SCREW 1 UNC X 7 C S G.5		02 02
20	0503011438	SPRING WASHER		02 05
21	0501010059	1.5/8 NUT		12 16
22	0511012972	TSTABILIZER BAR TOWER		01 01
23	0521010576	0.9" X 3.7" COUPLING SHAFT		01 01
24	0511066932	CSTABILIZER BARCOTTERPIN		01 01
25	0521012538	1.2" X 3.5" COUPLING SHAFT		02 02
26	0511058298	HYDRAULIC CYLINDER	4	01 00
27	0511059180	HYDRAULIC CYLINDER		00 01
28	0511019921	1.3" X 0.1" X 1" SLEEVE		03 03
29	0501064698	SPRING ROD		01 01
30	0502020392	SPRING SUPPORT		02 02



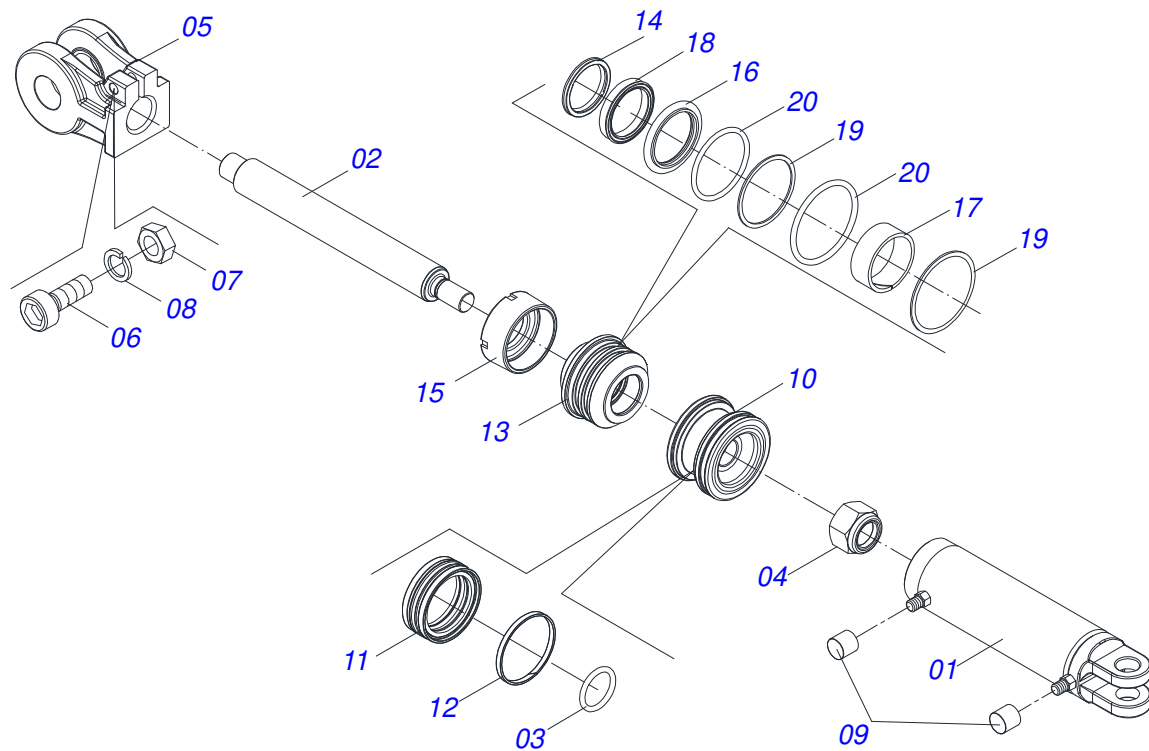
Item	Code	Description	See page	16 20
31	0503030441	12.7" X 5.7" X 0.5"SPRING		01 01
32	0521010592	1.1" X 3.1" COUPLING SHAFT		01 01
33	0501064435	FRONT FRAME		01 00
34	0501064432	FRONT FRAME		00 01
35	0501064434	REAR FRAME		01 00
36	0501064433	REAR FRAME		00 01
37	0521048502	ASSY TRACTION BAR	8	00 01
38	0501041096	DRAWBAR ASSY	5	01 00
39	0503060094	WHEEL AND TIRE ASSY	6	02 00
40	0503060181	WHEEL AND TIRE		00 02
41	0501010171	PARAFUSO 1 UNC X 3.1/2 C S G.5		08 08
42	0502012861	1" SQUARE WASHER		08 08
43	0501010065	1" SPRING WASHER		08 08
44	0501064168	REAR SCRAPER		04 05
45	0501064167	REAR SCRAPER		04 05
46	0503011082	C1/2" X 1.3/4" SCREW		16 20
47	0511017302	FLAT WASHER		16 24
48	0503010019	1/2" SPRING WASHER		16 20
49	0503010060	1/2" NUT		16 20
50	0501080443	3/8" X 236" TR-TM HOSE		01 01
51	0501080421	3/8" X 230" TR-TM HOSE ASS		01 01
52	0501053834	MALE QUICK COUPLER WITH CAP - 1/2 NPT		02 02
53	0511067334	HOSE SOPPORT ASSY		01 01
54	0511010839	TRANSPORT LOCK 7.9" X 2.1" X 0.4"		01 01
55	0501068994	0.3" X 3.1"LOCK PIN		01 01
56	0503030168	HAIR PIN		01 01
57	0502012702	BODY SUPPORT CLAMP		02 02
58	0503012555	SCREW 7/16 UNC X 2 CS RT G.7 ZN		02 02
59	0503010180	7/16" SPRING WASHER		02 02
60	0503016140	3/4" WRENCH CABLE CYLINDRICAL		01 01
61	0501061617	1" GANG BOLT WRENCH		01 01
62	0501011431	1-3/4" GANG BOLT WRENCH		02 02
63	0511018451	5/8" X 3/4" X 1" UNIVERSAL		01 01
64	0521010453	GCOUPLING SHAFT		01 01
65	0501069080	COUPLING SHAFT		00 01
66	0521810575	COUPLING SHAFT		02 02
67	0503031035	HAIR PIN		00 01



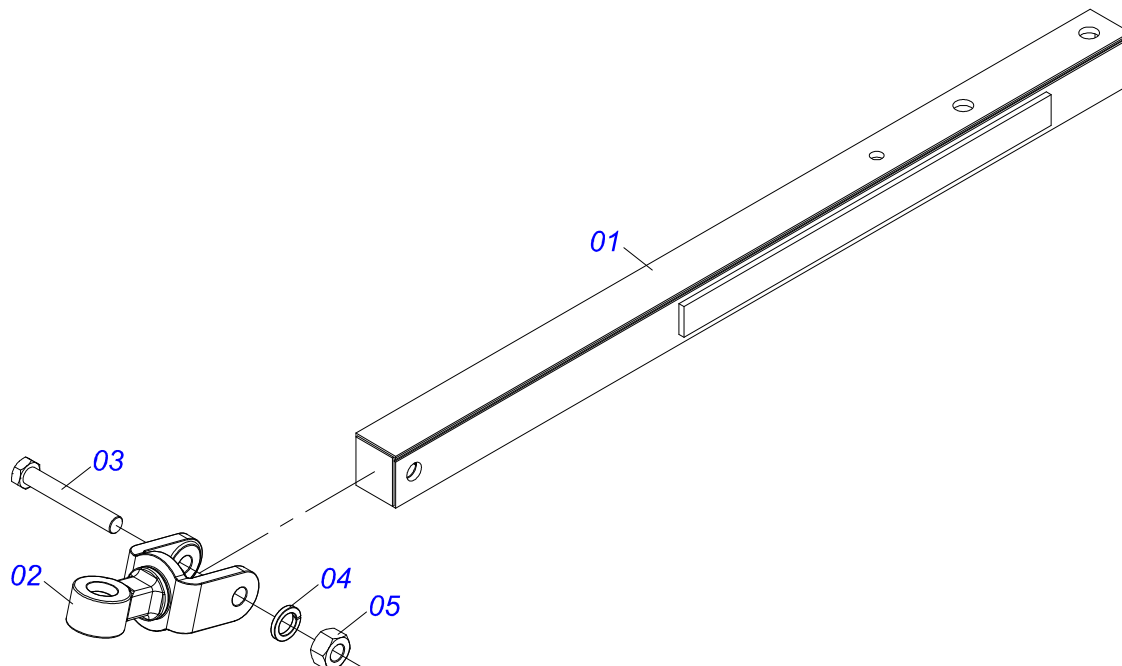
Item	Code	Description	See page	QT
001	0581012980	SLEEVE		01
002	0502010006	ARTICULACION BEARING		01



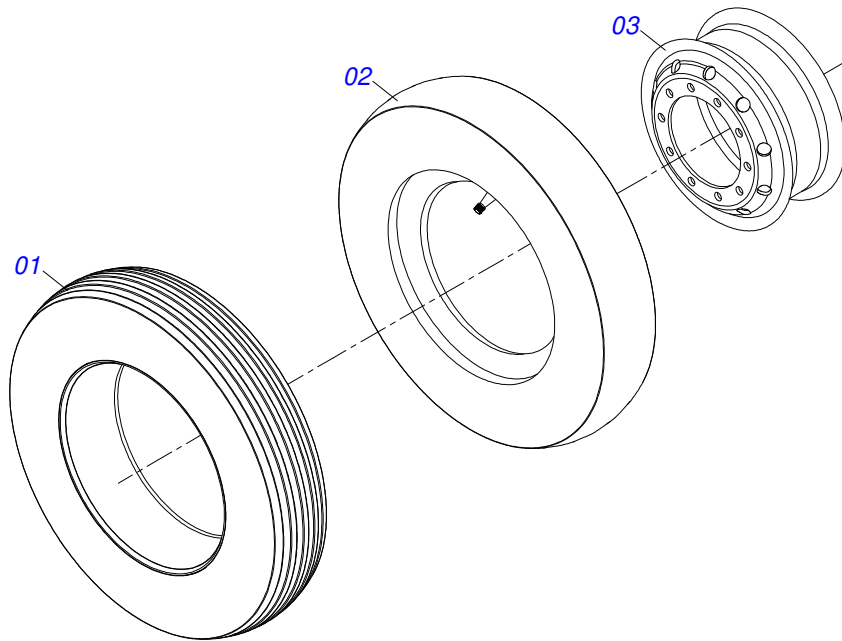
Item	Code	Description	See page	QT
01	0501051142	CARRYING WHEEL HUB		01
02	0521010821	2.5" X 16.5" AXLE		01
03	0501016545	FLAT WASHER		01
04	0503030009	1" CASTLE NUT		01
05	0503010018	5/32 X 1-1/2 COTTERPIN		01
06	0502020591	PROTECCION COVER		01
07	0503011444	SPRING WASHER		04
08	0503010358	5/16" X 5/8" BOLT		04
09	0503010002	1800 GREASE FITTING		01



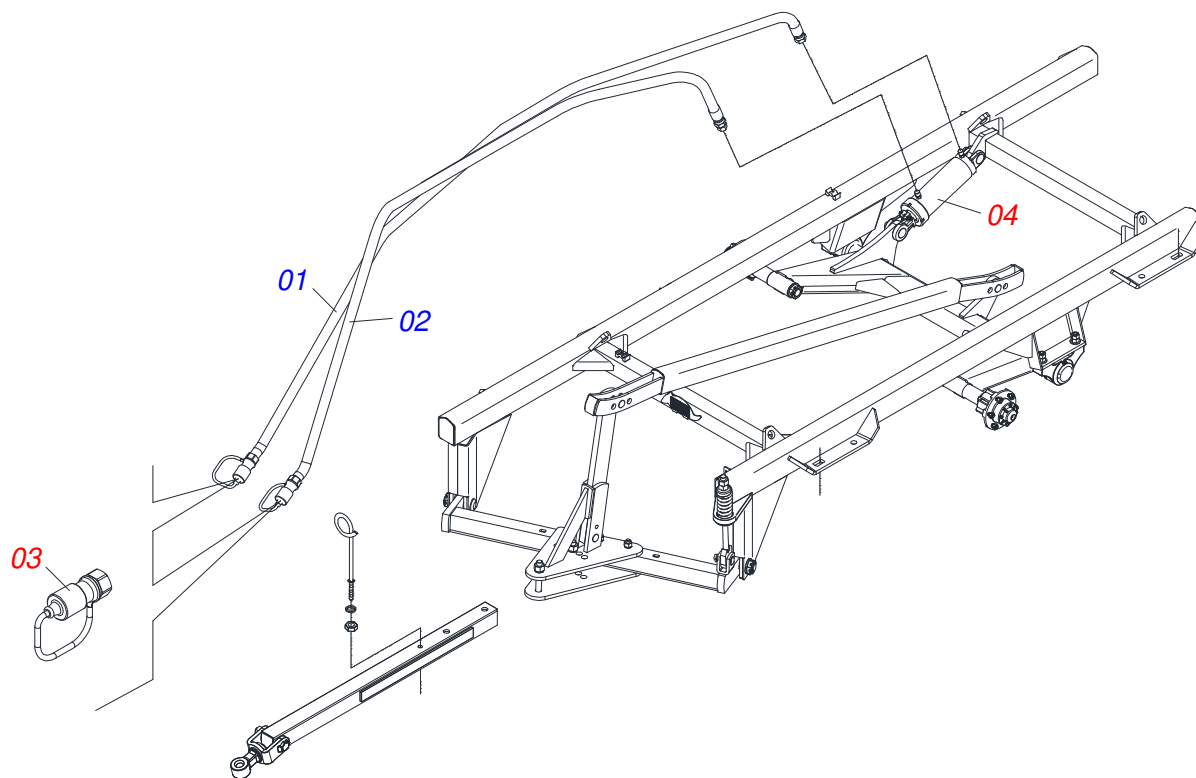
Item	Code	Description	See page	QT
001	0511061588	3.4" X 16" CYLINDER CASE		01
002	0521010421	HYDRAULIC CYLINDER TURNBUCKLE		01
003	0503010042	2-214 N 3006-9B O'RING		01
004	0503010063	1" SELF-ALIGNING NUT		01
005	0502040747	32.54 CLEVIS CLAMP		01
006	0503011094	3/8" X 2" BOLT		01
007	0503010026	3/8" NUT		01
008	0503010025	3/8" SPRING WASHER		01
009	0503030385	CYLINDER PLUG N-002		02
010	0571019710	1.7" X 3.4" PISTON		01
011	0503017935	RING		01
012	0503018144	RING		01
013	0571019711	RING SUPPORT		01
014	0503010761	D-1750 SCRAPER RING		01
015	0571019709	DETACHABLE COVER		01
016	0503017936	RING		01
017	0503017938	RING GUIDE		01
018	0503017937	GASKET		01
019	0503017940	8-337 BACK-UP RING		02
020	0503017939	2-337 N 3006-9B O' RING		02



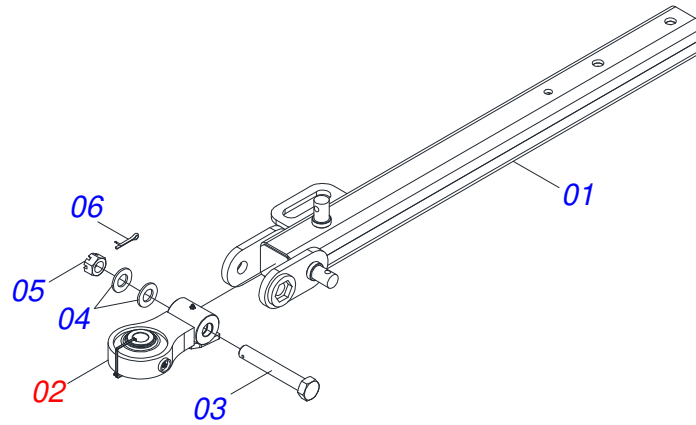
Item	Code	Description	See page	QT
01	0501060188	DRAWBAR ASSY		01
02	0521061775	TRACTOR HITCH		01
03	0501010060	1" X 6-1/2" BOLT		01
04	0503011438	SPRING WASHER		01
05	0501010059	1.5/8 NUT		01



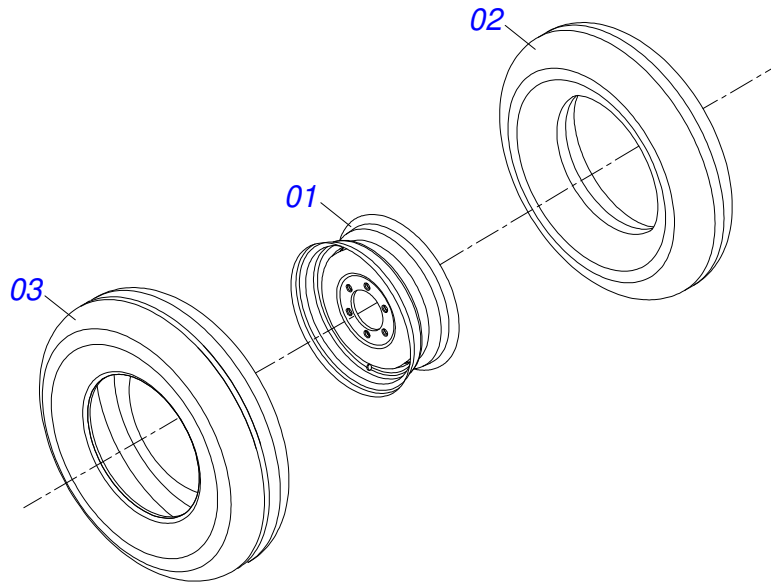
Item	Code	Description	See page	QT
01	0503010065	CANVAS TIRE		01
02	0503010068	6.00 X 16 INNER TIRE		01
03	0503010894	0.2"X0.6"X4.6"X6F0.6"X6" WHEEL		01



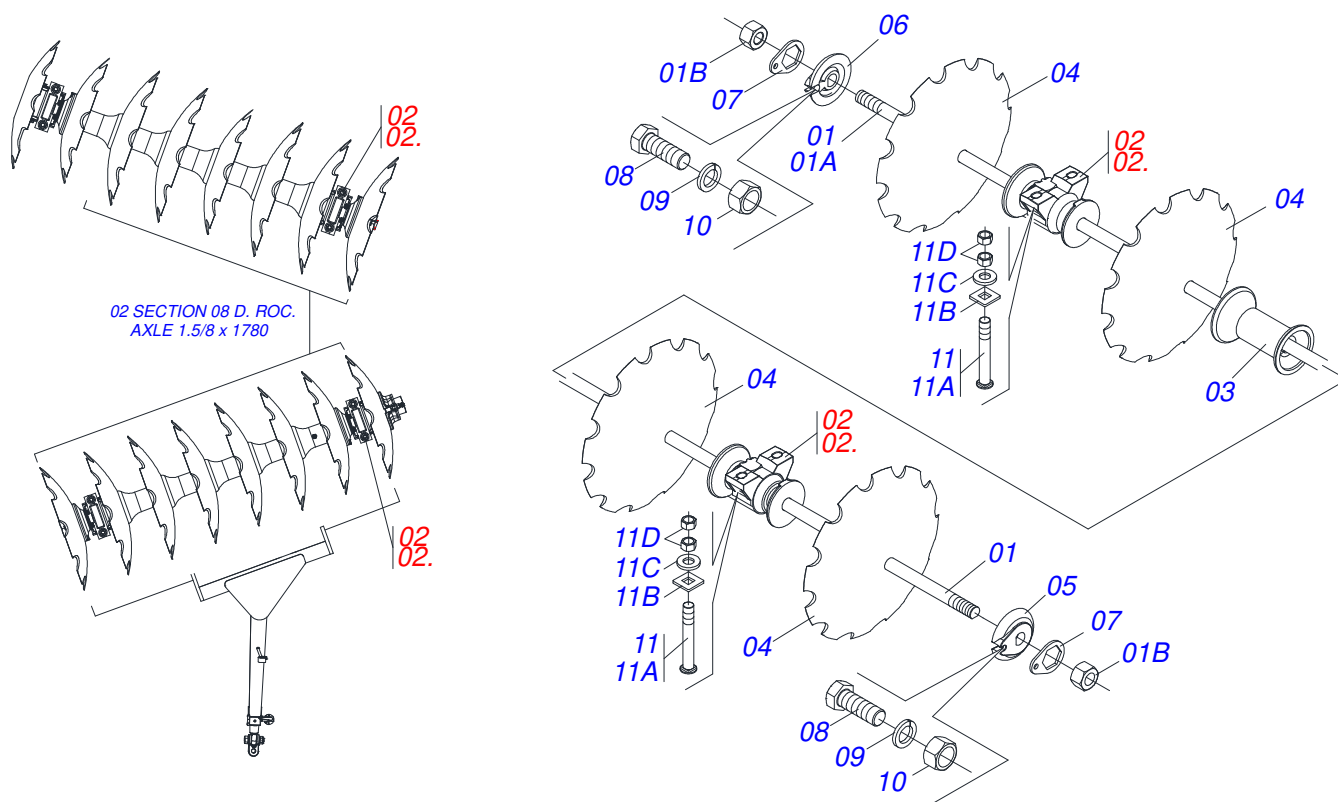
Item	Code	Description	See page	QT
001	0501080443	3/8" X 236" TR-TM HOSE		01
002	0501080421	3/8" X 230" TR-TM HOSE ASS		01
003	0501053834	MALE QUICK COUPLER WITH CAP - 1/2 NPT		02
004	0511059180	HYDRAULIC CYLINDER		01



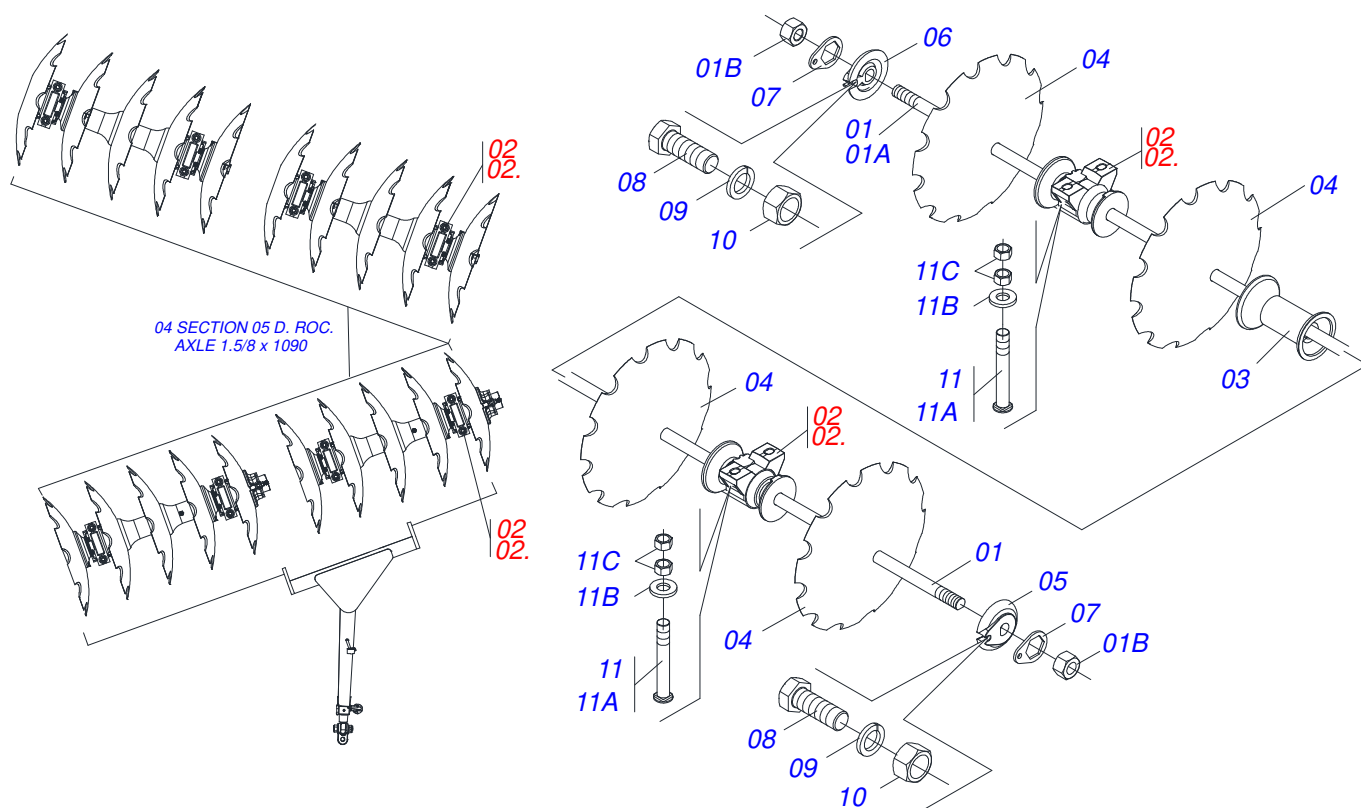
Item	Code	Description	See page	QT
01	0521069165	DRAWBAR ASSY		01
02	0521057520	HITCH ASSY		01
03	0581015973	1.1/4 UNC X 8 C S G5 SCREW		01
04	0501017779	32 X 60 X 4.75 FLAT WASHER		02
05	0503013026	1.1/4" CASTLE NUT		01
06	0503010010	1/4" X 2.1/2" COTTERPIN		01



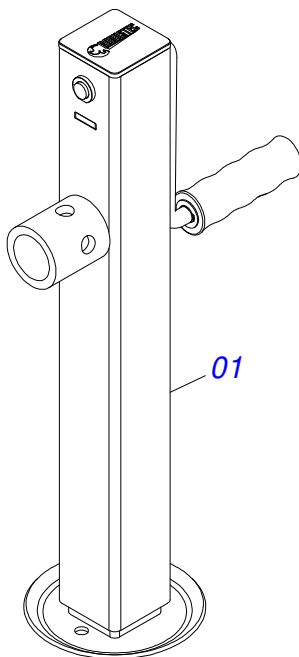
Item	Code	Description	See page	QT
01	0503010893	WHEEL		01
02	0503010033	7.50 X 16 INNER TIRE		01
03	0503010120	CANVAS TIRE		01



Item	Code	Description	See page	QT
01	0501046859	1-5/8" X 70" AXLE WITH NUTS 2-3/4"		02
01A	0501015631	1-5/8" X 70" AXLE		02
01B	0502040640	1.5/8" 2.3/4" NUT		04
02	0511048374	BEARING DM OL 225 X 1.5/8 OSC C/SUPT/PROT IMP		04
02.	0501059734	225 OSCILLATING BEARING		04
03	0502010626	8.9" 1-5/8" SPACER		08
04	0602037154	28" X 0.2" NOTCHED DISC BLADE		16
05	0502011048	1-5/8" EXTERNAL AXLE WASHER		02
06	0502011047	1-5/8" INNER AXLE WASHER		02
07	0511014339	1-5/8" 2.8" NUT LOCK		04
08	0503010232	5/8" X 1.3/4" BOLT		02
09	0503010027	5/8" SPRING WASHER		02
10	0503010013	5/8" NUT		02
11	0501040877	C1" X 3-1/4" ASSY BOLT		08
11A	0501010059	1.5/8 NUT		01
11B	0501010171	PARAFUSO 1 UNC X 3.1/2 C S G.5		01
11C	0502012861	1" SQUARE WASHER		01
11D	0501010065	1" SPRING WASHER		01
11E	0503010012	1" SPRING WASHER		01



Item	Code	Description	See page	QT
01	0501046853	1-5/8" X 43" AXLE WITH NUTS 2-3/4		02
01A	0501015029	1-5/8" X 43" AXLE		02
01B	0502040640	1.5/8" 2.3/4" NUT		04
02	0511048374	BEARING DM OL 225 X 1.5/8 OSC C/SUPT/PROT IMP		04
02.	0501059734	225 OSCILLATING BEARING		04
03	0502010626	8.9" 1-5/8" SPACER		08
04	0602037004	28" X 0.2" NOTCHED DISC BLADE		16
05	0502011048	1-5/8" EXTERNAL AXLE WASHER		02
06	0502011047	1-5/8" INNER AXLE WASHER		02
07	0511014339	1-5/8" 2.8" NUT LOCK		04
08	0503010232	5/8" X 1.3/4" BOLT		02
09	0503010027	5/8" SPRING WASHER		02
10	0503010013	5/8" NUT		02
11	0521047424	SCREW ASSY		08
11A	0501010500	3/4"X3"BOLT		01
11B	0501010322	FLAT WASHER		01
11C	0503012183	SNC 3/4" ZIN 1K03097 NUT		02



Item	Code	Description	See page	QT
01	0503062157	HEADER JACK	12	01



www.marchesan.com.br



Technical Publications | Elaboration and Revision
LORENA ROCHA ALVES