

OFFSET DISK HARROW

ATCR 22/24/28D

Code: 0501092738
Series: S-0504
Revision: 00
Date Revision: FEVEREIRO/2022

PARTS CATALOGUE



MARCHESAN



PRODUCTS

Code	Description
0102440316	ATCR 22X 26X 6,00 DM RD DUPL S-0504
0102440317	ATCR 24X 26X 6,00 DM RD DUPL S-0504
0102440318	ATCR 28X 26X 6,00 DM RD DUPL S-0504

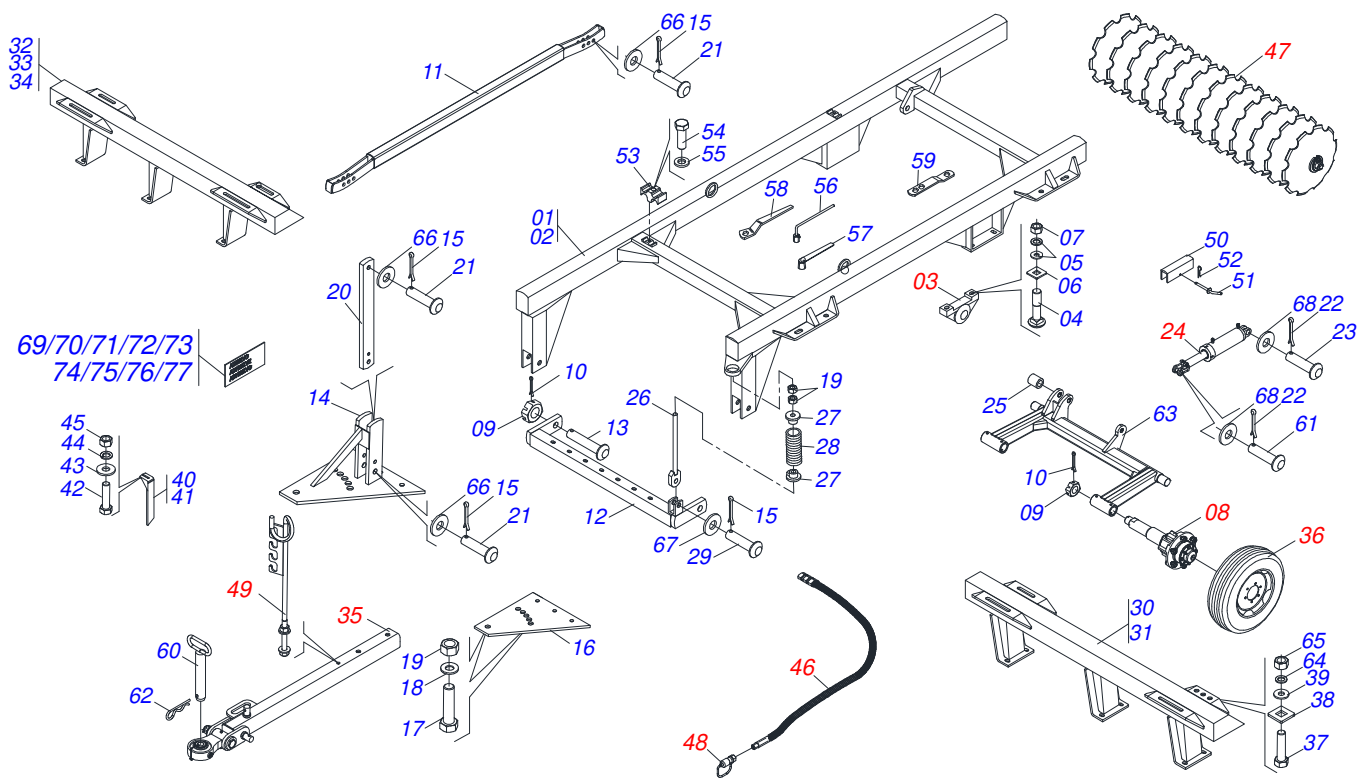
ATTENTION: IMPORTANT

Marchesan S.A. reserves the right to improve and/or modify the technical features of its products, without obligation to do the same with those products already sold and without prior knowledge of the dealer or the consumer. The photos are only illustrative.



INDEX

0909098980	ASSY FRAME 22/24/28	1
0501110856	ARTICULACION BEARING	2
0501054931	STUB SHAFT & HUB	3
0501051142	CARRYING WHEEL HUB	4
0511059180	HYDRAULIC CYLINDER	5
0521048502	ASSY TRACTION BAR	6
0521057520	HITCH ASSY	7
0503060094	WHEEL AND TIRE ASSY	8
0503060091	L29.5"X0.63"-10L WHEEL AND	9
0503011360	HOSE KIT	10
0909090016	GANG DISC 22	11
0909098982	SECCION DISCO 24	12
0909094946	FRONT/REAR 28D DISCS SECTION	13
0501046923	9"X 1-5/8" OIL BATH BEARING	14
0501053834	MALE QUICK COUPLER WITH CAP - 1/2 NPT	15
0501040257	3/4 X 1200 HOSE HOLDER A	16



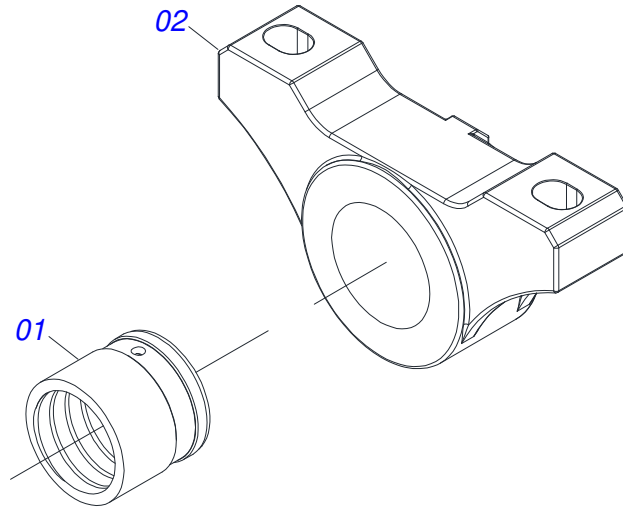
Item	Code	Description	See page	22	24	28
01	0501065574	FRAME		01	00	00
02	0501064754	FRAME		00	01	01
03	0501110856	ARTICULACION BEARING	2	02	02	02
04	0501017303	3/4" X 3-1/4" BOLT		01	01	01
05	0501010322	FLAT WASHER		01	01	01
06	0501010949	3/4" SQUARE WASHER		01	01	01
07	0503010014	3/4" NUT		02	02	02
08	0501054931	STUB SHAFT & HUB	3	02	02	02
09	0501011301	1.1/2 UNC 6FPP 2.5/16 NUT		02	02	02
10	0503010010	1/4" X 2.1/2" COTTERPIN		02	02	02
11	0511066932	CSTABILIZER BARCOTTERPIN		01	01	01
12	0501066262	OFFSET BAR		01	01	01
13	0521817538	COUPLING SHAFT		02	02	02
14	0501066235	UPPER PLATE WITH SUPPORT		01	01	01
15	0503010571	1/4" X 1.1/2 COTTERPIN		04	04	04
16	0511013000	UPPER /LOWER PLATE		01	01	01
17	0501810334	SCREW 1 UNC X 7 C S G.5		05	05	05
18	0503011438	SPRING WASHER		05	05	05
19	0501010059	1.5/8 NUT		05	05	05
20	0511012972	TSTABILIZER BAR TOWER		01	01	01
21	0521810576	COUPLING SHAFT		03	03	03
22	0503010523	1/4" X 2" COTTERPIN		02	02	02
23	0521810779	AXIS JUNCTION 31.75 X 95 HOLE 80 SA ATCR		01	01	01
24	0511059180	HYDRAULIC CYLINDER	5	01	01	01
25	0511019921	1.3" X 0.1" X 1" SLEEVE		03	03	03
26	0501064698	SPRING ROD		01	01	01
27	1902020392	SPRING SUPPORT		02	02	02
28	0503030441	12.7" X 5.7" X 0.5"SPRING		01	01	01
29	0521810592	COUPLING SHAFT		01	01	01
30	0501064436	FRONT FRAME		01	01	00
31	0501064446	FRONT FRAME 28		00	00	01



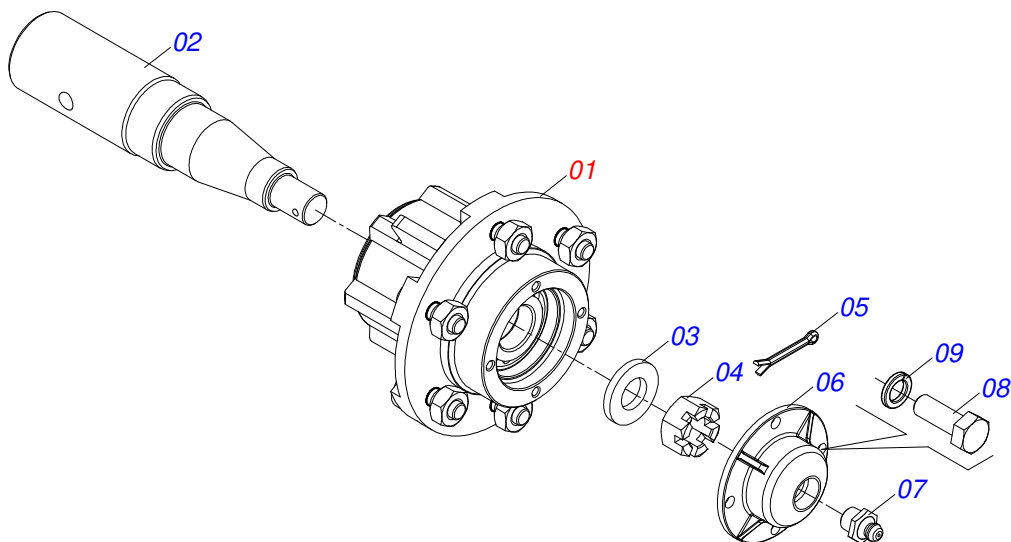
ATCR 22/24/28D
ASSY FRAME 22/24/28

Page 1
0909098980

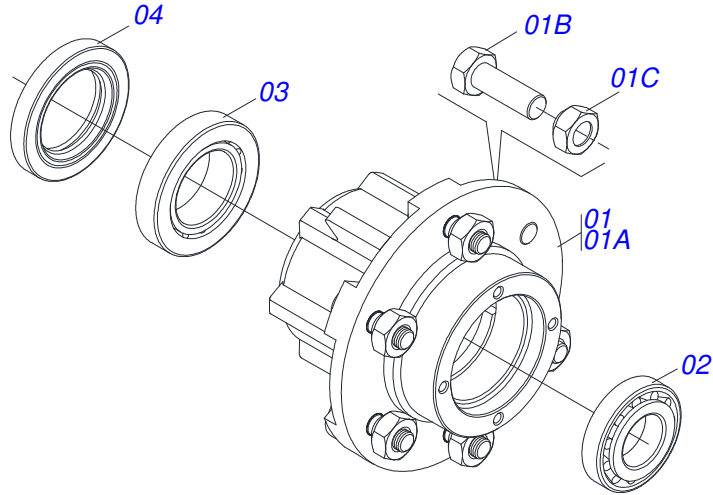
Item	Code	Description	See page	22 24 28
32	0501063332	REAR FRAME		01 00 00
33	0501064437	REAR FRAME		00 01 00
34	0501064447	REAR FRAME 28		00 00 01
35	0521048502	ASSY TRACTION BAR	6	01 01 01
36	0503060094	WHEEL AND TIRE ASSY	8	00 02 02
36.	0503060091	L29.5"X0.63"-10L WHEEL AND	9	04 04 04
37	0501010171	BOLT 1 UNC X 3.1/2 C S G.5		08 08 08
38	0502012861	1" SQUARE WASHER		08 08 08
39	0501010065	1" SPRING WASHER		08 08 08
40	0501064168	REAR SCRAPER		06 07 09
41	0501064167	REAR SCRAPER		06 07 09
42	0503010740	BOLT 1/2 UNC X 2 CS G.5 ZN		24 28 36
43	0511017302	FLAT WASHER		24 28 36
44	0503010019	1/2" SPRING WASHER		24 28 36
45	0503010060	1/2" NUT		24 28 36
46	0503011360	HOSE KIT	10	01 01 01
47	0909090016	GANG DISC 22	11	01 00 00
47.	0909098982	SECCION DISCO 24	12	00 01 00
47..	0909094946	FRONT/REAR 28D DISCS SECTION	13	00 00 01
48	0501053834	MALE QUICK COUPLER WITH CAP - 1/2 NPT	15	02 02 02
49	0501040257	3/4 X 1200 HOSE HOLDER A	16	01 01 01
50	0511010839	TRANSPORT LOCK 7.9" X 2.1" X 0.4"		01 01 01
51	0501068994	0.3" X 3.1"LOCK PIN		01 01 01
52	0503030168	HAIR PIN		01 01 01
53	0502012702	BODY SUPPORT CLAMP		02 02 02
54	0503012555	SCREW 7/16 UNC X 2 CS RT G.7 ZN		02 02 02
55	0503010180	7/16" SPRING WASHER		02 02 02
56	0503016140	3/4" WRENCH CABLE CYLINDRICAL		01 01 01
57	0501061617	1" GANG BOLT WRENCH		01 01 01
58	0501011431	1-3/4" GANG BOLT WRENCH		02 02 02
59	0511018451	5/8" X 3/4" X 1" UNIVERSAL		01 01 01
60	0501069080	COUPLING SHAFT		01 01 01
61	0511810174	COUPLING SHAFT		01 01 01
62	0503031035	HAIR PIN		01 01 01
63	0511065084	CARRYING-WHEELS SUPPORT		01 01 01
64	0503010012	1" SPRING WASHER		08 08 08
65	0501010059	1.5/8 NUT		08 08 08
66	0501011445	FLAT WASHER		03 03 03
67	0561011883	FLAT WASHER		01 01 01
68	0501017779	32 X 60 X 4.75 FLAT WASHER		02 02 02
69	0503060786	SET LABEL ADHESIVE		01 01 01
70	0503031827	LUBRICATE AND RETIGHTEN DAILY DECAL		01 01 01
71	0503031428	READ MANUAL DECAL		01 01 01
72	0503031087	ADHESIVE LABEL		01 01 01
73	0503034499	HOSE IDENTIFICATION DECAL		01 01 01
74	0503034078	LIFTING POINTS DECAL		04 04 04
75	0503033038	DANGER SIGN		01 01 01
76	0503031738	ADHESIVE LABEL		01 01 01
77	0503031739	ADHESIVE LABEL		01 01 01



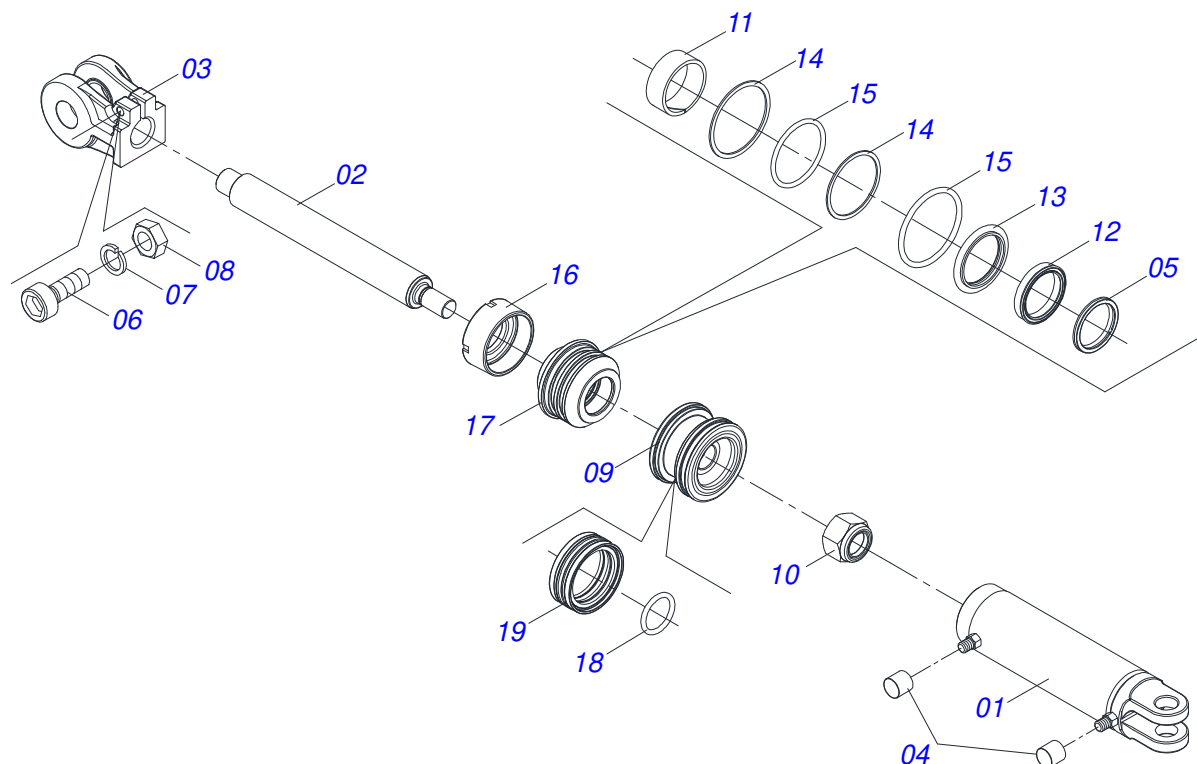
Item	Code	Description	See page	QT
001	0581012980	SLEEVE		01
002	0502010006	ARTICULACION BEARING		01



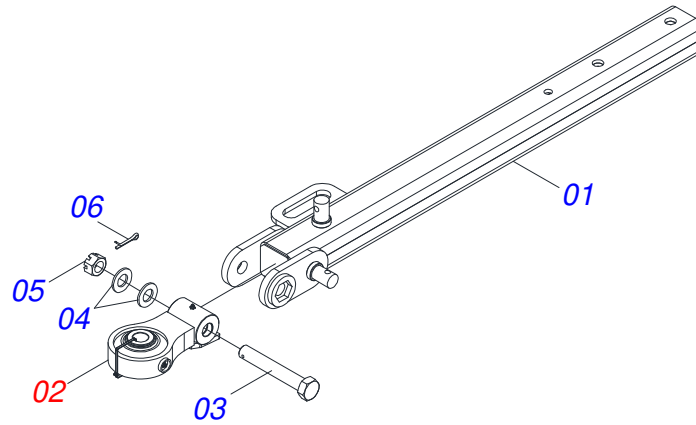
Item	Code	Description	See page	QT
01	0501051142	CARRYING WHEEL HUB	4	01
02	0541010739	2.5" X 12.2" AXLE		01
03	0501016545	FLAT WASHER		01
04	0503030009	1" CASTLE NUT		01
05	0503010018	5/32 X 1-1/2 COTTERPIN		01
06	0502020591	PROTECCION COVER		01
07	0503010002	1800 GREASE FITTING		01
08	0503010358	5/16" X 5/8" BOLT		04
09	0503011444	SPRING WASHER		04



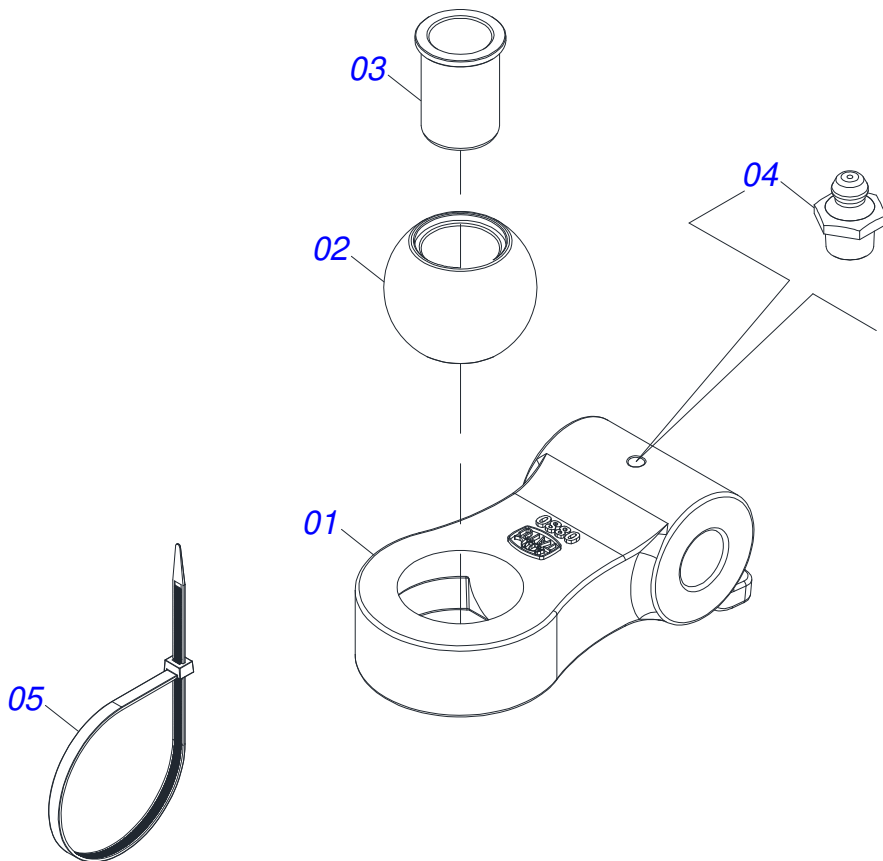
Item	Code	Description	See page	QT
01	0501110728	WHEEL HUB		01
01A	0502011121	CARRYING WHEEL HUB		01
01B	0501010127	9/16" X 1-7/8" LUG BOLT		06
01C	0503010035	9/16" CONIC NUT		06
02	0503010037	30207 ROLLER BEARING		01
03	0503010006	32210 ROLLER BEARING		01
04	0503012928	SEAL		01



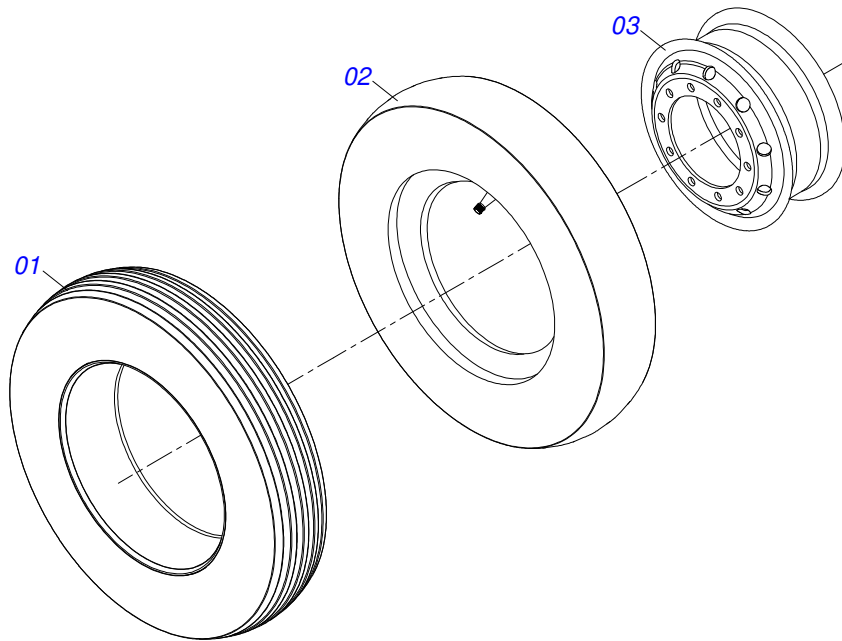
Item	Code	Description	See page	QT
01	0511070658	CYLINDER CASE		01
02	0571019958	HYDRAULIC CYLINDER TURNBUCKLE		01
03	0502040747	32.54 CLEVIS CLAMP		01
04	0503030385	CYLINDER PLUG N-002		02
05	0503010039	D-2000 SCRAPER RING		01
06	0503011094	3/8" X 2" BOLT		01
07	0503011443	3/8" SPRING WASHER		01
08	0503010026	3/8" NUT		01
09	0502012820	50.80 X 101.60 PISTON		01
10	0503010817	1.1/4" SELF LOCKING NUT		01
11	0503018025	RING GUIDE		01
12	0503018026	1870-2000-375 B GASKET		01
13	0503018024	RING BS		01
14	0503010338	2-342 N 3006-9B O-RING		02
15	0503011061	8-342 BACK-UP RING		02
16	0502012822	101.60 END CAP		01
17	0502012821	50.80 X 101.60 RING SUPPORT		01
18	0503018029	2-217 O-RING		01
19	0503015633	SELEMASTER SEALING		01



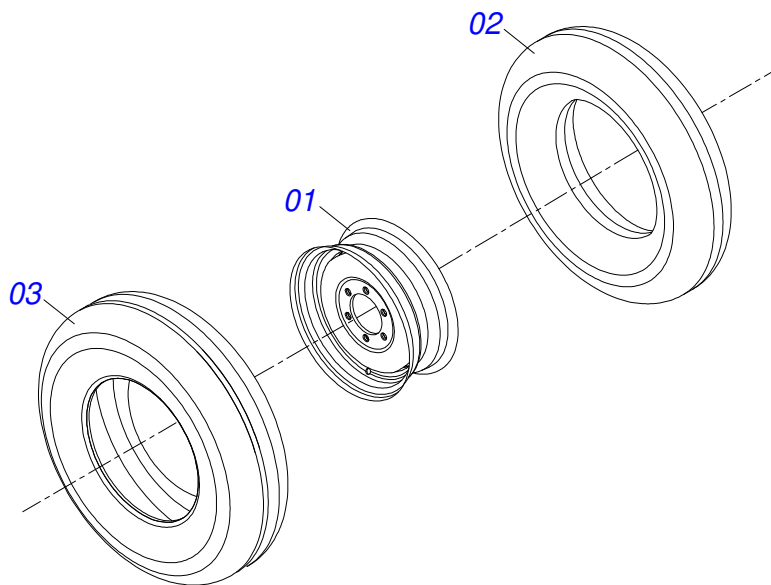
Item	Code	Description	See page	QT
01	0521069165	DRAWBAR ASSY		01
02	0521057520	HITCH ASSY	7	01
03	0581015973	1.1/4 UNC X 8 C S G5 SCREW		01
04	0501017779	32 X 60 X 4.75 FLAT WASHER		02
05	0503013026	1.1/4" CASTLE NUT		01
06	0503010010	1/4" X 2.1/2" COTTERPIN		01



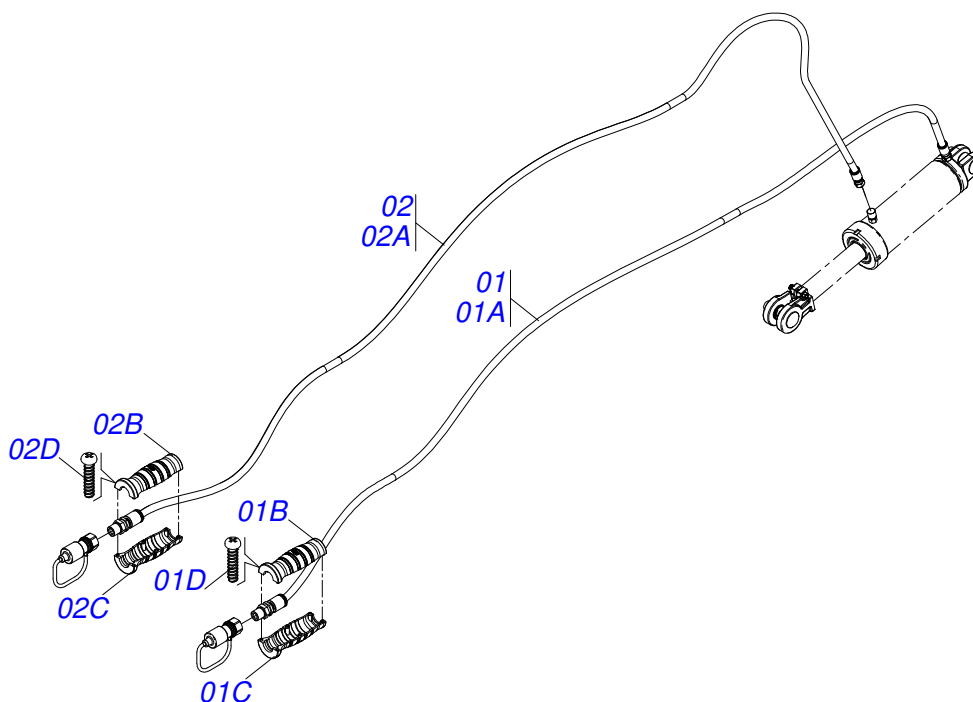
Item	Code	Description	See page	QT
01	0502040880	HITCH BODY		01
02	0502040885	BODY ATTACHMENT		01
03	0591012511	SLEEVE		01
04	0503010002	1800 GREASE FITTING		01
05	0503018829	NYLON CLAMP		01



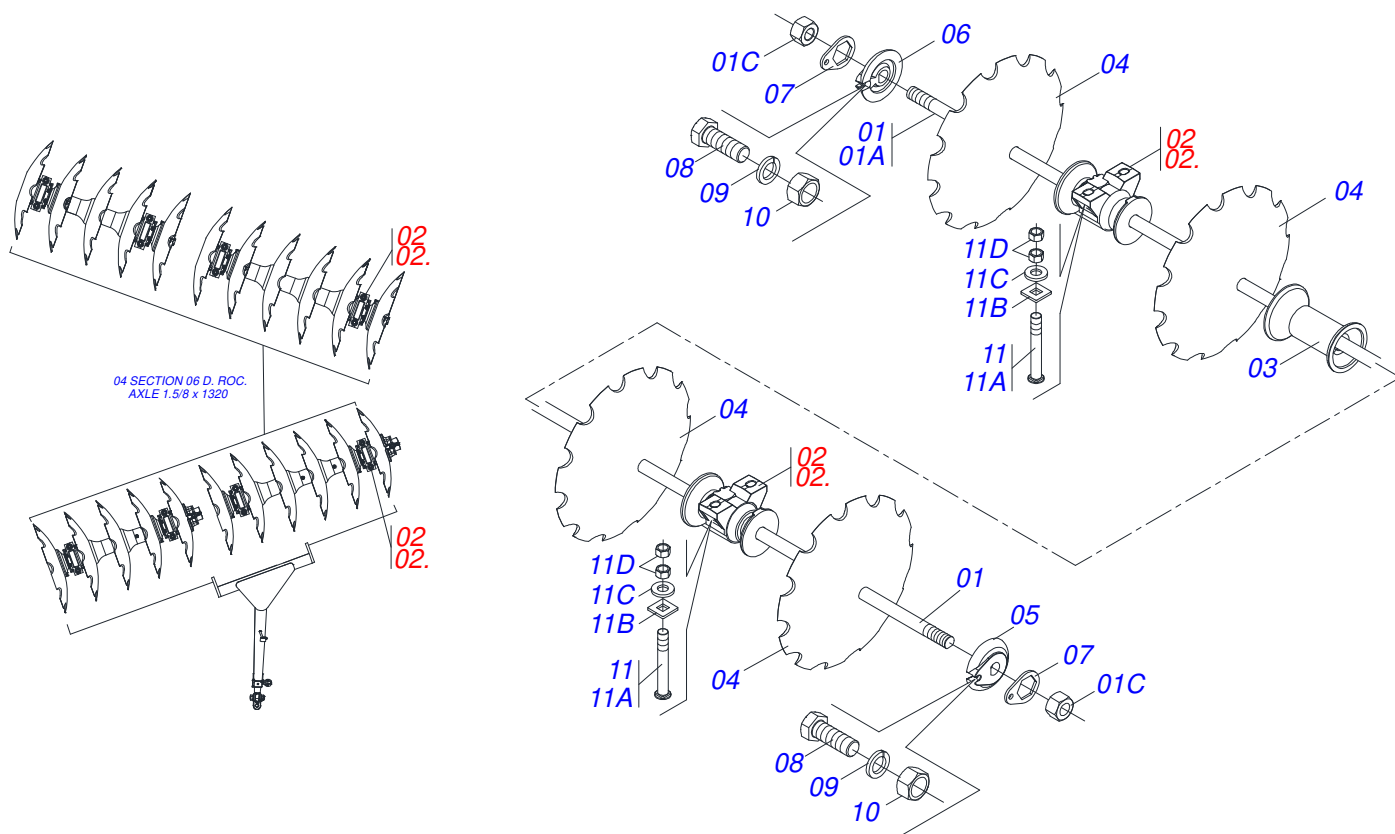
Item	Code	Description	See page	QT
01	0503010065	CANVAS TIRE		01
02	0503010068	6.00 X 16 INNER TIRE		01
03	0503010894	0.2"X0.6"X4.6"X6F0.6"X6" WHEEL		01



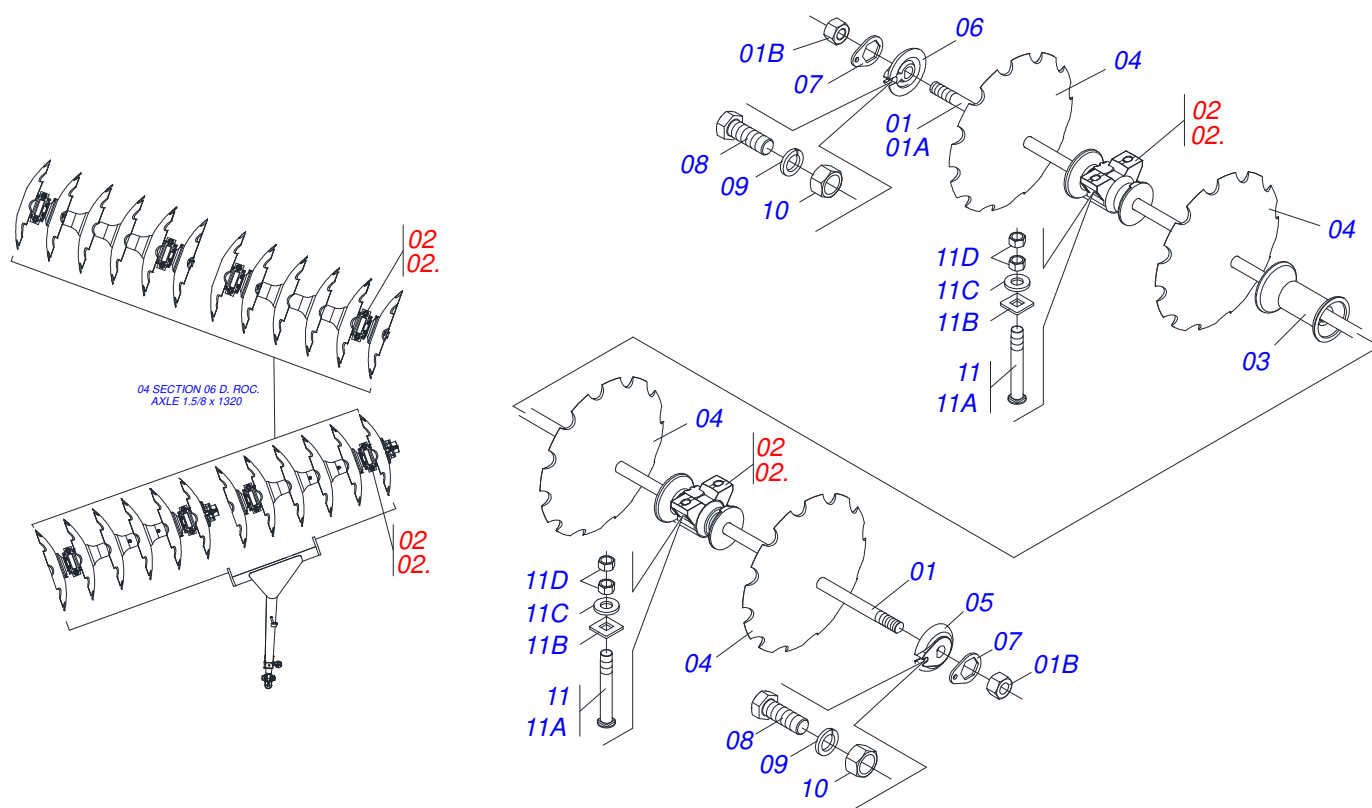
Item	Code	Description	See page	QT
01	0503010893	WHEEL		01
02	0503010033	7.50 X 16 INNER TIRE		01
03	0503010120	CANVAS TIRE		01



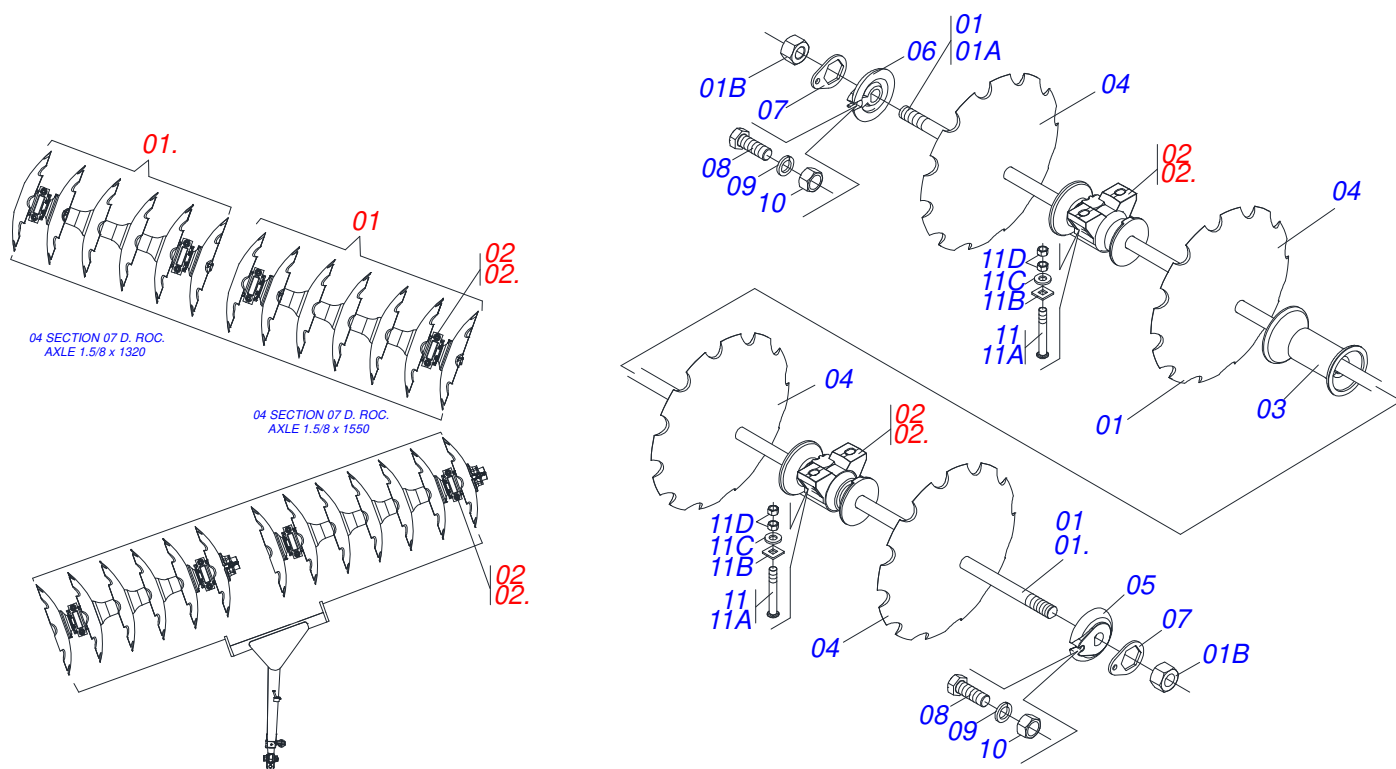
Item	Code	Description	See page	QT
01	0521056233	3/8 X 6000 TR-TM HOSE BLACK / RED		01
01A	0501080443	3/8 X 6000 TR-TM HOSE		01
01B	0503034495	HYDRAULIC HOSE GRIP (RED)		01
01C	0503034492	HYDRAULIC HOSE GRIP (BLACK)		01
01D	0503018952	PLASTIC BOLT		06
02	0521055893	3/8 X 5850 TR-TM HOSE BLACK / BLUE		01
02A	0501080421	3/8" X 230" TR-TM HOSE ASS		01
02B	0503034492	HYDRAULIC HOSE GRIP (BLACK)		01
02C	0503034494	HYDRAULIC HOSE GRIP (BLUE)		01
02D	0503018952	PLASTIC BOLT		06



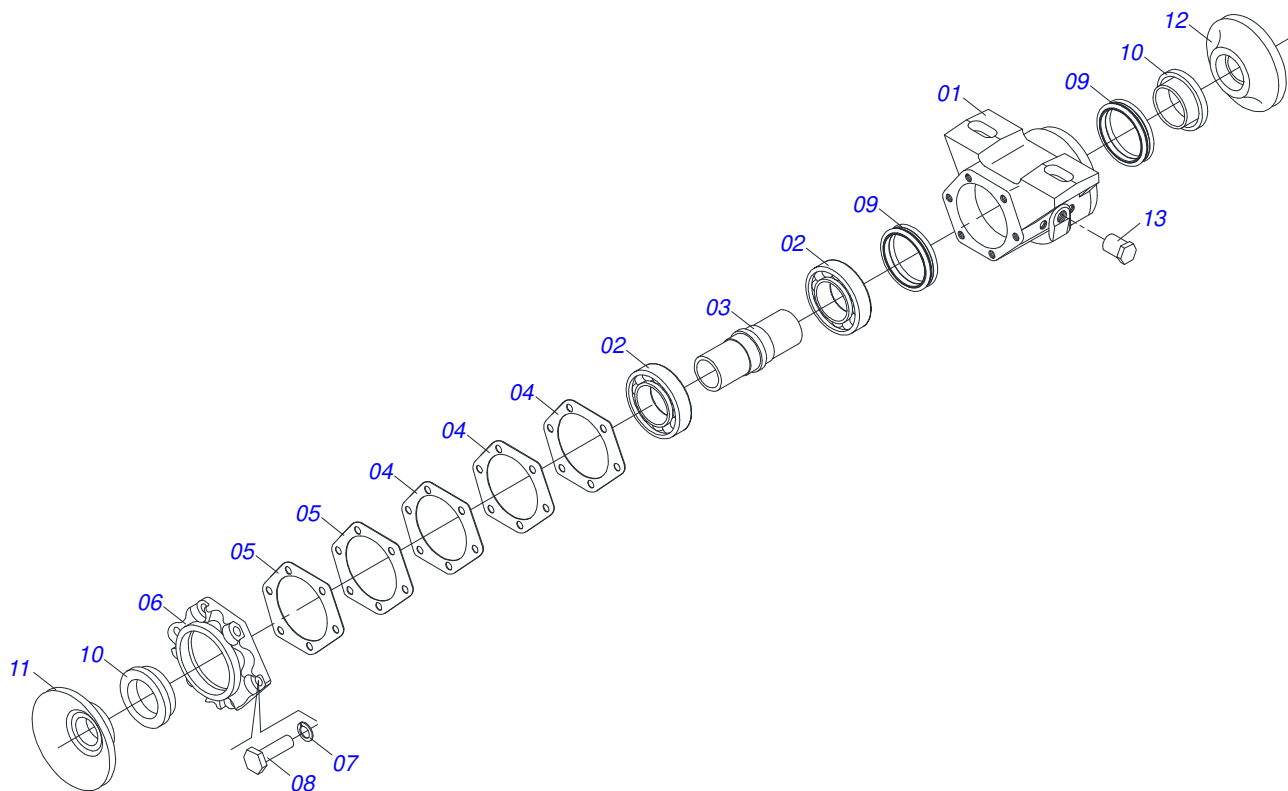
Item	Code	Description	See page	22 D.
01	0501046853	1-5/8" X 43" AXLE WITH NUTS 2-3/4		02
01.	0501046855	1-5/8" X 52" AXLE WITH NUTS 2-3/4		02
01A	0501015029	1-5/8" X 43" AXLE		02
01A.	0501015237	1-5/8" X 52" AXLE		02
01B	0502040640	1.5/8" 2.3/4" NUT		08
02	0501046923	9"X 1-5/8" OIL BATH BEARING	14	08
03	0502010626	8.9" 1-5/8" SPACER		10
04	0602033232	DR26X6 C89AF02FR1.11/16 10REC TATU		22
05	0502011048	1-5/8" EXTERNAL AXLE WASHER		04
06	0502011047	1-5/8" INNER AXLE WASHER		04
07	0511014339	1-5/8" 2.8" NUT LOCK		08
08	0503010232	5/8" X 1.3/4" BOLT		08
09	0503010027	5/8" SPRING WASHER		08
10	0503010013	5/8" NUT		08
11	0511040034	3/4" X 3-1/4" BOLT ASSY		16
11A	0501017303	3/4" X 3-1/4" BOLT		16
11B	0501010949	3/4" SQUARE WASHER		16
11C	0501010322	FLAT WASHER		16
11D	0503010014	3/4" NUT		32



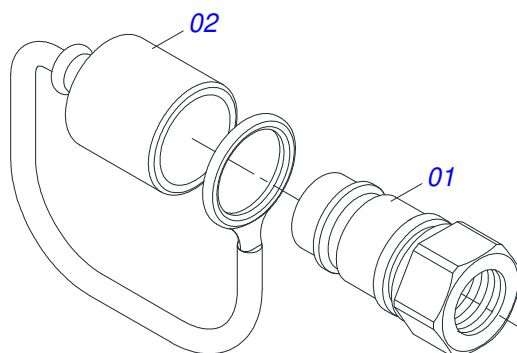
Item	Code	Description	See page	QT
01	0501046855	1-5/8" X 52" AXLE WITH NUTS 2-3/4		04
01A	0501015237	1-5/8" X 52" AXLE		04
01B	0502040640	1.5/8" 2.3/4" NUT		08
02	0501046923	9"X 1-5/8" OIL BATH BEARING	14	08
03	0502010626	8.9" 1-5/8" SPACER		12
04	0602033005	26" X 0.2" NOTCHED DISC BLADE		24
05	0502011048	1-5/8" EXTERNAL AXLE WASHER		04
06	0502011047	1-5/8" INNER AXLE WASHER		04
07	0511014339	1-5/8" 2.8" NUT LOCK		08
08	0503010232	5/8" X 1.3/4" BOLT		08
09	0503010027	5/8" SPRING WASHER		08
10	0503010013	5/8" NUT		08
11	0511040034	3/4" X 3-1/4" BOLT ASSY		16
11A	0501017303	3/4" X 3-1/4" BOLT		16
11B	0501010949	3/4" SQUARE WASHER		16
11C	0501010322	FLAT WASHER		16
11D	0503010014	3/4" NUT		32



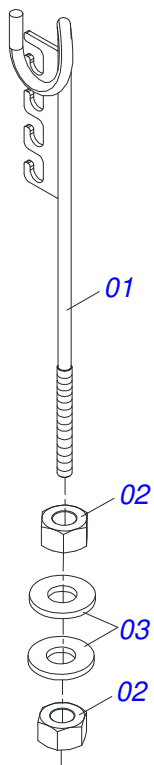
Item	Code	Description	See page	QT
01	0501046857	1-5/8" X 61" AXLE WITH NUTS 2-3/4"		04
01A	0501015632	1-5/8" X 61" AXLE		01
01B	0502040640	1.5/8" 2.3/4" NUT		02
02	0501046923	9"X 1-5/8" OIL BATH BEARING	14	08
03	0502010626	8.9" 1-5/8" SPACER		16
04	0602030005	24" X 0.2" NOTCHED DISC BLADE		28
05	0502011048	1-5/8" EXTERNAL AXLE WASHER		04
06	0502011047	1-5/8" INNER AXLE WASHER		04
07	0511014339	1-5/8" 2.8" NUT LOCK		08
08	0503010232	5/8" X 1.3/4" BOLT		08
09	0503010027	5/8" SPRING WASHER		08
10	0503010013	5/8" NUT		08
11	0511040034	3/4" X 3-1/4" BOLT ASSY		16
11A	0501017303	3/4" X 3-1/4" BOLT		16
11B	0501010949	3/4" SQUARE WASHER		16
11C	0501010322	FLAT WASHER		16
11D	0503010014	3/4" NUT		32



Item	Code	Description	See page	QT
01	0502020445	HOUSING DM		01
02	0503010113	30212 ROLLER BEARING		02
03	0502010639	AXLE FOR CM/DM		01
04	0503031972	137 X 113,2 X 0,3 JOINT		03
05	0503031973	137 X 113,2 X 0,1 JOINT		02
06	0502012445	BEARING COVER BOX (BOX SLIGHTLY)		01
07	0503011443	3/8" SPRING WASHER		06
08	0503010237	3/8" X 1" BOLT		06
09	0503030027	DUO-CONE SEAL		02
10	0502010633	SEAL RETAINER		02
11	0502040239	OUTER FLANGE		01
12	0502040240	INNER FLANGE		01
13	0503010856	OIL PLUG		01



Item	Code	Description	See page	QT
01	0503011627	MALE QUICK COUPLER AGR 1/2 NPT		01
02	0503011882	MALE QUICK COUPLER CAP		01



Item	Code	Description	See page	QT
01	0511067334	HOSE SOPPORT ASSY		01
02	0503010014	3/4" NUT		02
03	0501010322	FLAT WASHER		02



MARCHESAN

Technical Publications | Elaboration and Revision

LORENA ROCHA ALVES

www.marchesan.com.br

