

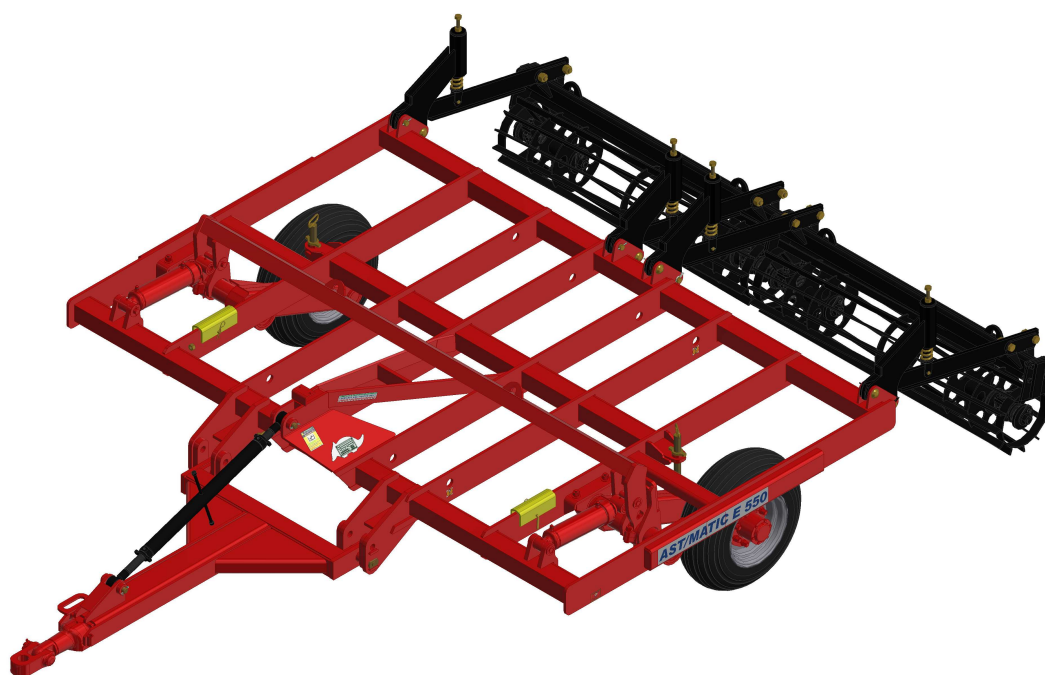
## SUBSOILER PLOW

**Code:**

0501092733

**Product:**

AST/MATIC E 550 RD



**Series:**

S-0203

**Revision:**

00

**Date Revision:**

MAIO/2020



# PRODUCTS

Code	Description	
0101170131	AST/MATIC E 550 RD	S-0203

## ATTENTION: IMPORTANT

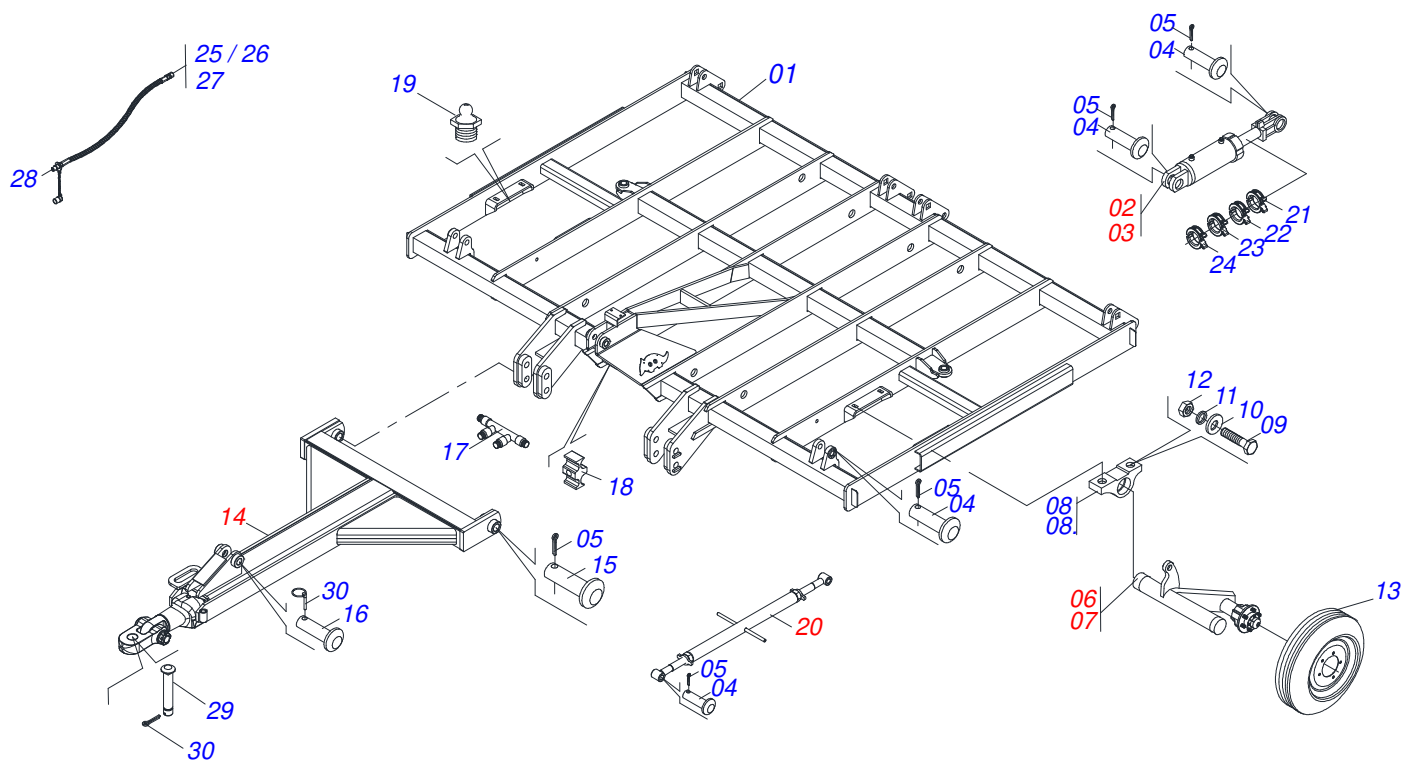
Marchesan S.A. reserves the right to improve and / or modify the technical features of its products, without obligation to do the same with those products already sold and without prior knowledge of the dealer or the consumer.



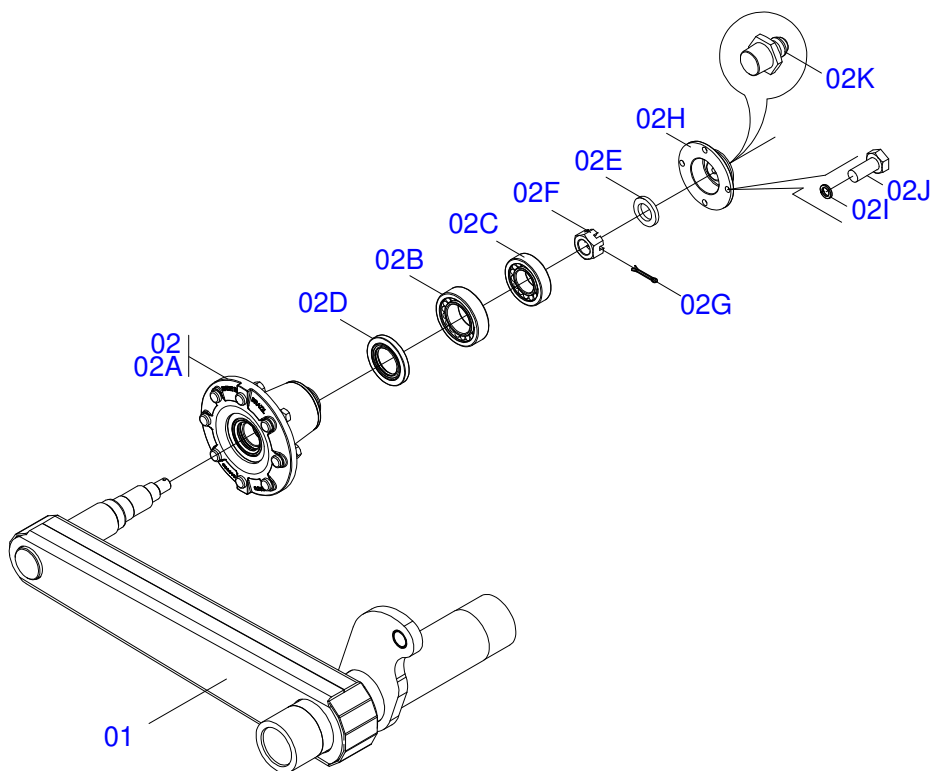
**MARCHESAN**

# INDEX

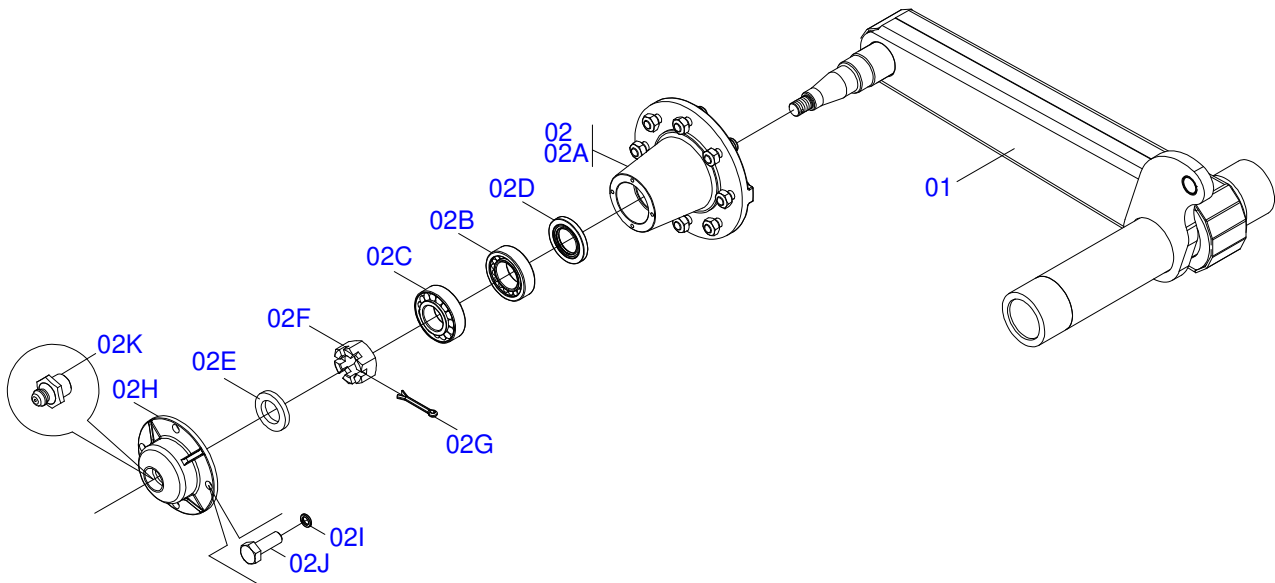
0909098968	FRAME 7H	.....	1
0501054059	SUPORTE DIREITO RODADO S/PNEU	.....	2
0501054060	SUPORTE ESQUERDO RODADO S/PNEU	.....	3
0501110563	MANCAL ARTICULAÇÃO ESQUERDA C/LUVA	.....	4
0501110568	MANCAL ARTICULAÇÃO DIREITA C/LUVA	.....	5
0521045646	HYDRAULIC CYLINDER	.....	6
0521045647	HYDRAULIC CYLINDER	.....	7
0511041101	ASSY HEAD	.....	8
0503060414	WHEEL AND TIRE	.....	9
0501054555	ROLO DESTORROADOR C/SUPORTE 7H	.....	10
0501054088	ESTABILIZADOR CABEÇALHO COMPLETO	.....	11
0909098967		.....	12



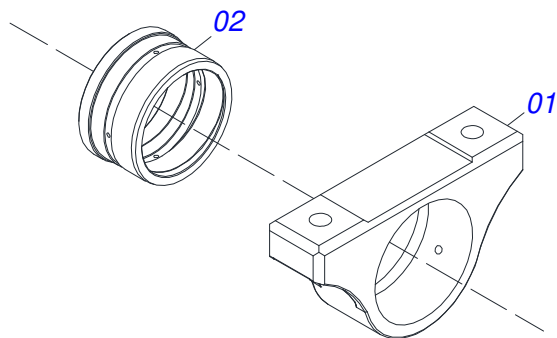
Item	Code	Description	See page	QT
01	0511063809	CHASSI AST/MATIC E 550 7H S-0202		01
02	0521045646	HYDRAULIC CYLINDER	6	01
03	0521045647	HYDRAULIC CYLINDER	7	01
04	0521012538	1.2" X 3.5" COUPLING SHAFT		04
05	0503010523	1/4" X 2" COTTERPIN		06
06	0501054059	SUPORTE DIREITO RODADO S/PNEU	2	01
07	0501054060	SUPORTE ESQUERDO RODADO S/PNEU	3	01
08	0501110563	MANCAL ARTICULAÇÃO ESQUERDA C/LUVA	4	02
08.	0501110568	MANCAL ARTICULAÇÃO DIREITA C/LUVA	5	02
09	0503010901	3/4UNC 3.1/2 BOLT		08
10	0501010322	FLAT WASHER		08
11	0503011442	3/4" SPRING WASHER		08
12	0503010014	3/4" NUT		08
13	0503060414	WHEEL AND TIRE	9	02
14	0511041101	ASSY HEAD	8	01
15	0531016023	EIXO INF ENGATE AST/MATIC E 550		02
16	0531017716	AXLE TIGHTENER		02
17	0501068088	OIL TUBE		01
18	0502012702	BODY SUPPORT CLAMP		03
19	0503010002	1800 GREASE FITTING		04
20	0501054088	ESTABILIZADOR CABEÇALHO COMPLETO	11	01
21	0501047887	ROD STOP		02
22	0501047888	ROD STOP		02
23	0501047895	ROD STOP		08
24	0501047885	ROD STOP		06
25	0501080488	3/8" X 51" TR-TR HOSE ASSY		02
26	0501080452	3/8" X 98" TR-TR HOSE ASSY		01
27	0501080510	3/8" X 137" TR-TR HOSE ASSY		02
28	0501053834	MALE QUICK COUPLER WITH CAP - 1/2 NPT		02
29	0511814902	COUPLING SHAFT		02
30	0503010571	1/4" X 1.1/2 COTTERPIN		02



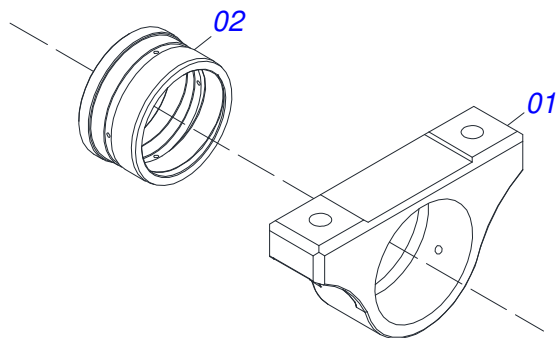
Item	Code	Description	See page	QT
01	0511069458	SUPORTE DIREITO RODADO		01
02	0501058124	RODADO S/PNEU AST/MATIC E 550		01
02A	0501110738	CARRYING WHEEL HUB		01
02B	0503010008	ROLAMENTO 3780/37203		01
02C	0503011156	ROLAMENTO 2780/2720 IMP		01
02D	0503013314	RETENTOR 5166-GB 63,5 X 110 X 13 ARCA		01
02E	0511012492	ARRUELA LISA 28 X 46 X 6,30		01
02F	0503030009	1" CASTLE NUT		01
02G	0503010018	5/32 X 1-1/2 COTTERPIN		01
02H	0502020591	PROTECCION COVER		01
02I	0503011444	SPRING WASHER		04
02J	0503010358	5/16" X 5/8" BOLT		04
02K	0503010002	1800 GREASE FITTING		01



Item	Code	Description	See page	QT
01	0511069459	SUPORTE ESQUERDO RODADO		01
02	0501058124	RODADO S/PNEU AST/MATIC E 550		01
02A	0501110738	CARRYING WHEEL HUB		01
02B	0503010008	ROLAMENTO 3780/37203		01
02C	0503011156	ROLAMENTO 2780/2720 IMP		01
02D	0503013314	RETENTOR 5166-GB 63,5 X 110 X 13 ARCA		01
02E	0511012492	ARRUELA LISA 28 X 46 X 6,30		01
02F	0503030009	1" CASTLE NUT		01
02G	0503010018	5/32 X 1-1/2 COTTERPIN		01
02H	0502020591	PROTECCION COVER		01
02I	0503011444	SPRING WASHER		04
02J	0503010358	5/16" X 5/8" BOLT		04
02K	0503010002	1800 GREASE FITTING		01

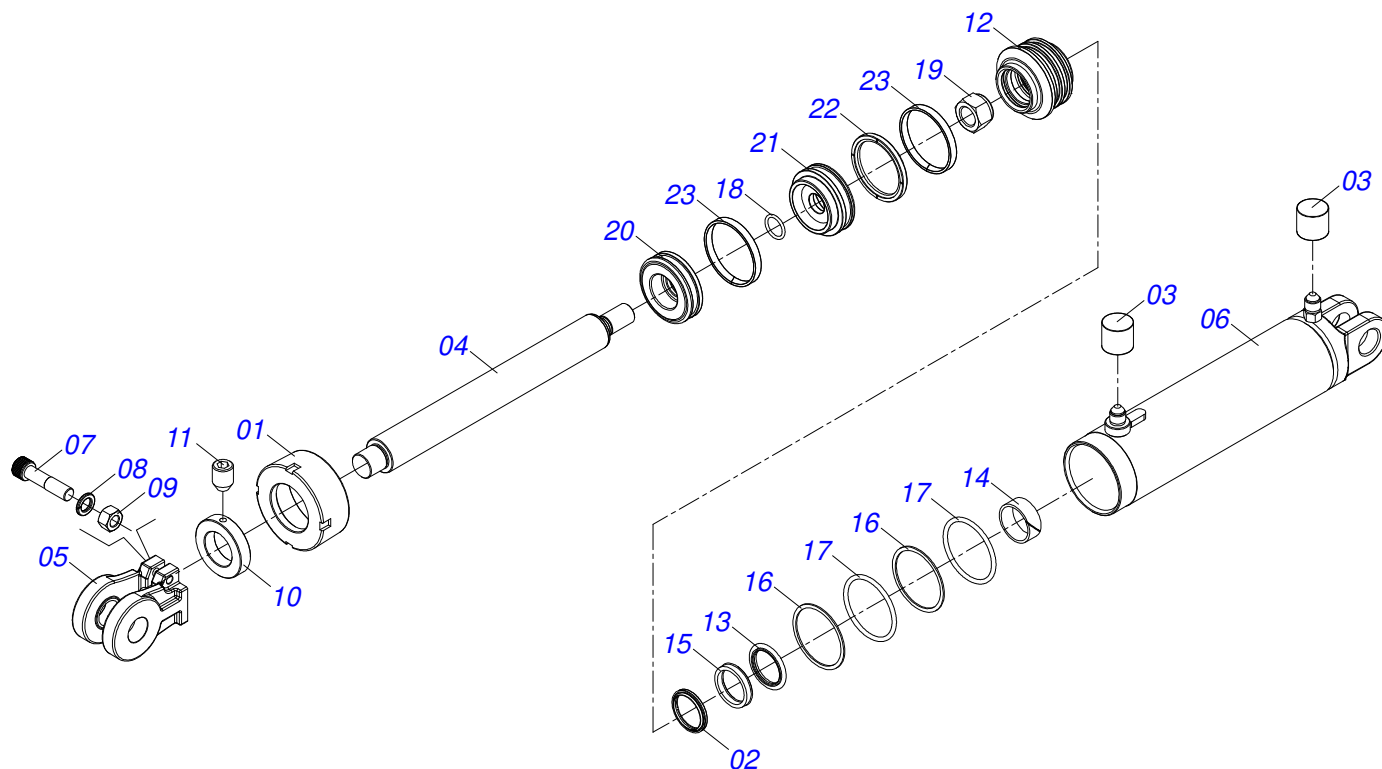


Item	Code	Description	See page	QT
001	0502012273	PIVOT BEARING		01
002	0551018339	SLEEVE NYLON 114,40 X 140 X 76		01

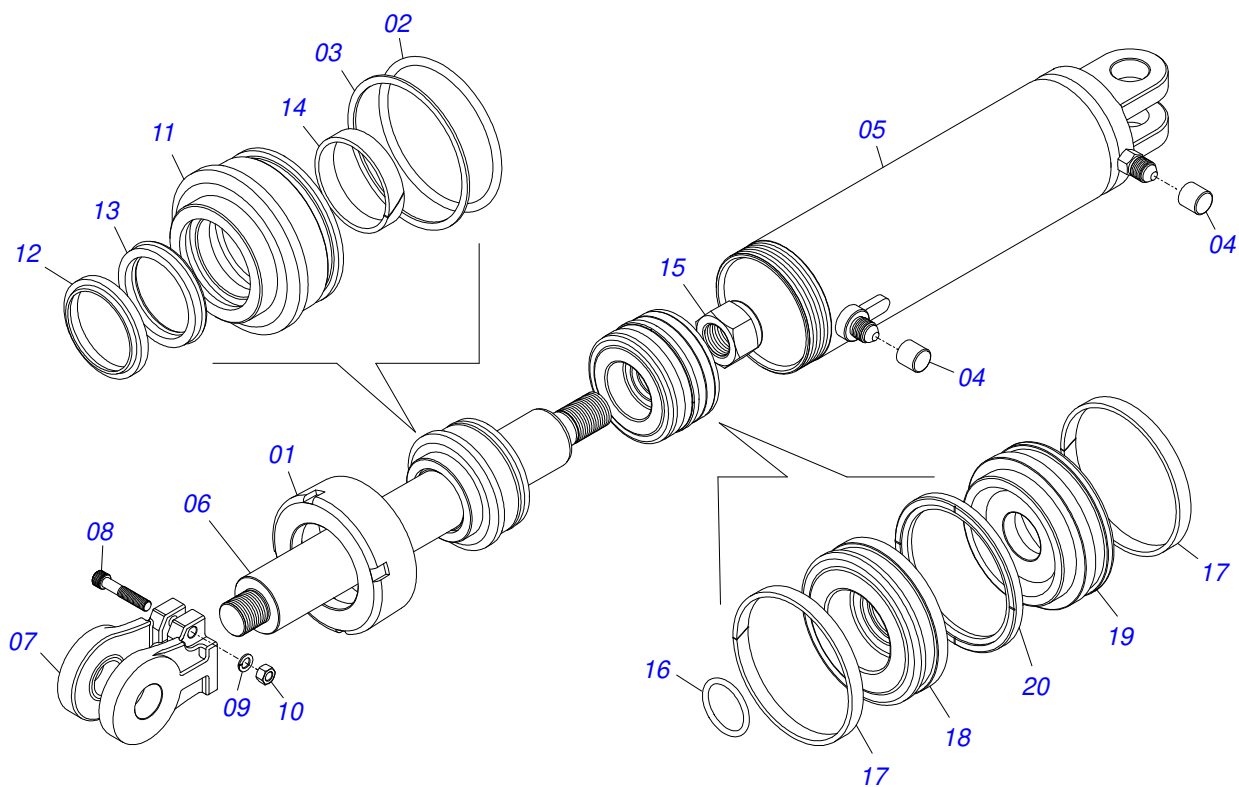


Item	Code	Description	See page	QT
001	0502012509	RIGHT PIVOT BEARING		01
002	0551018339	SLEEVE NYLON 114,40 X 140 X 76		01

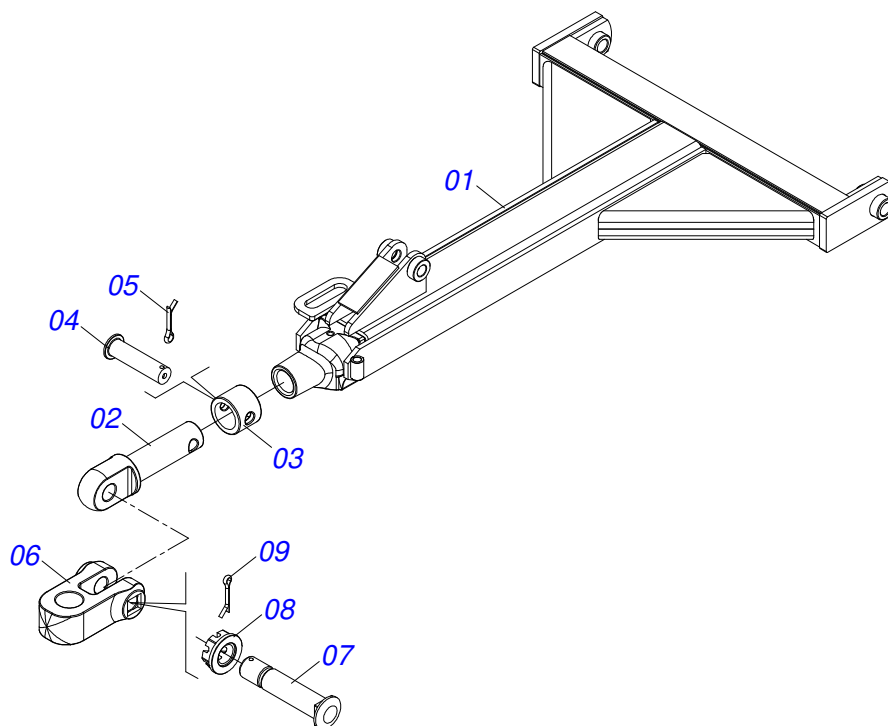




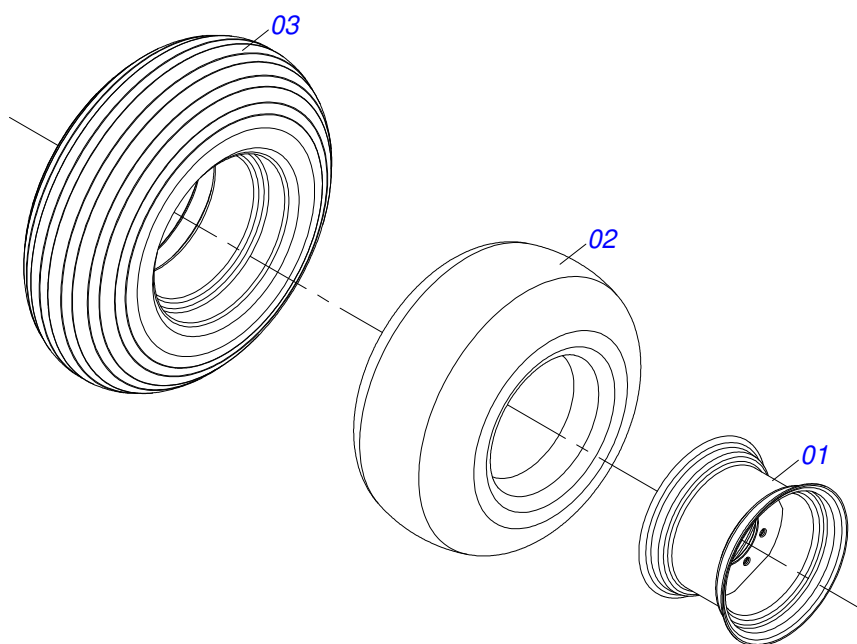
Item	Code	Description	See page	QT
01	0571019709	DETACHABLE COVER		01
02	0503010761	D-1750 SCRAPER RING		01
03	0503030385	CYLINDER PLUG N-002		02
04	0521016677	1.75" X 17.5" TURNBUCLE		01
05	0502040747	32.54 CLEVIS CLAMP		01
06	0521066182	CYLINDER CASE		01
07	0503011094	3/8" X 2" BOLT		01
08	0503011443	3/8" SPRING WASHER		01
09	0503010026	3/8" NUT		01
10	0511018115	1.8" X 0.1" 0.7" BUSHING		01
11	0503011148	3/8" X 1/2" BOLT		01
12	0571019711	RING SUPPORT		01
13	0503017936	RING		01
14	0503017938	RING GUIDE		01
15	0503017937	GASKET		01
16	0503017940	8-337 BACK-UP RING		02
17	0503017939	2-337 N 3006-9B O' RING		02
18	0503010042	2-214 N 3006-9B O'RING		01
19	0503010063	1" SELF-ALIGNING NUT		01
20	0581012598	PISTON		01
21	0581012597	PISTON		01
22	0503018650	SEALING		01
23	0503017883	RING GUIDE		02



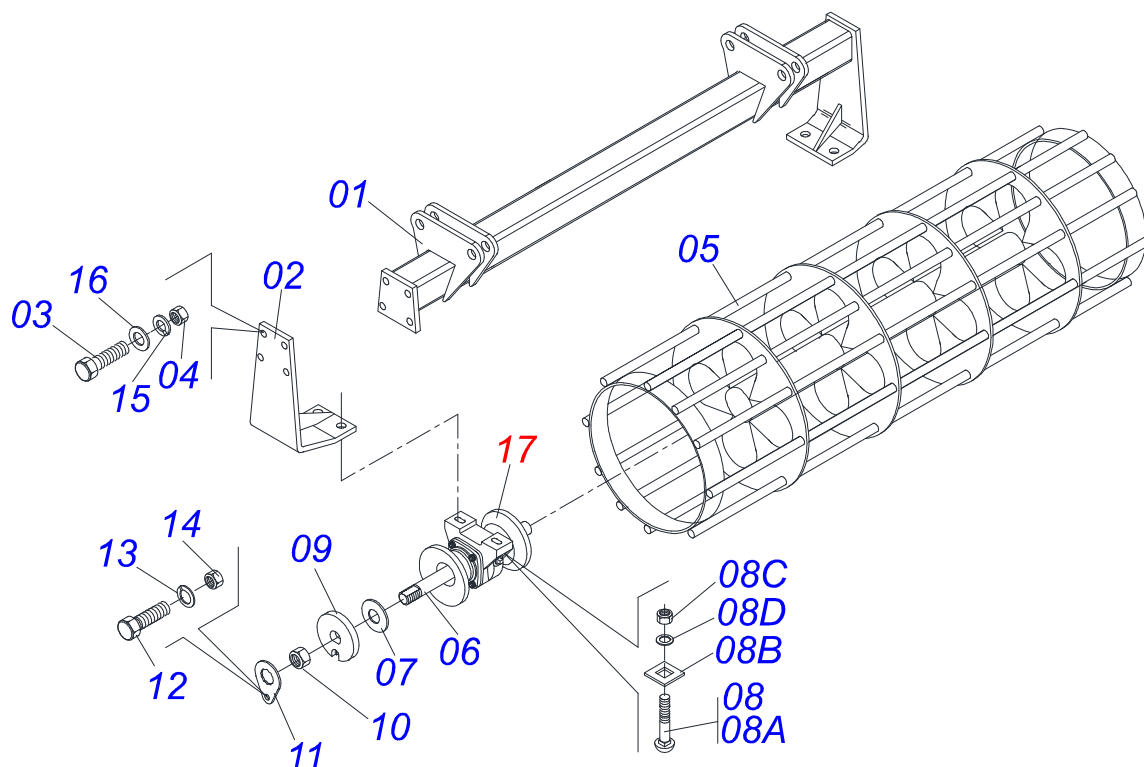
Item	Code	Description	See page	QT
01	0502010017	4" HEAD		01
02	0503010338	2-342 N 3006-9B O'RING		01
03	0503011061	8-342 BACK-UP RING		01
04	0503030385	CYLINDER PLUG N-002		02
05	0521066183	CYLINDER CASE		01
06	0531018706	2.1" X 17" EXTENDING BODY		01
07	0502040747	32.54 CLEVIS CLAMP		01
08	0503011094	3/8" X 2" BOLT		01
09	0503011443	3/8" SPRING WASHER		01
10	0503010026	3/8" NUT		01
11	0502011250	RING OF SUPPORT		01
12	0503015715	SCRAPER SEALING		01
13	0503015642	U-CUP SEALING		01
14	0503010973	W2-2500-500 PK O'RING G.E		01
15	0503010817	1.1/4" SELF LOCKING NUT		01
16	0503010345	2-218 N 3006-9B O'RING		01
17	0503017889	RING GUIDE		02
18	0581012601	PISTON		01
19	0581012602	PISTON		01
20	0503018651	SEALING		01



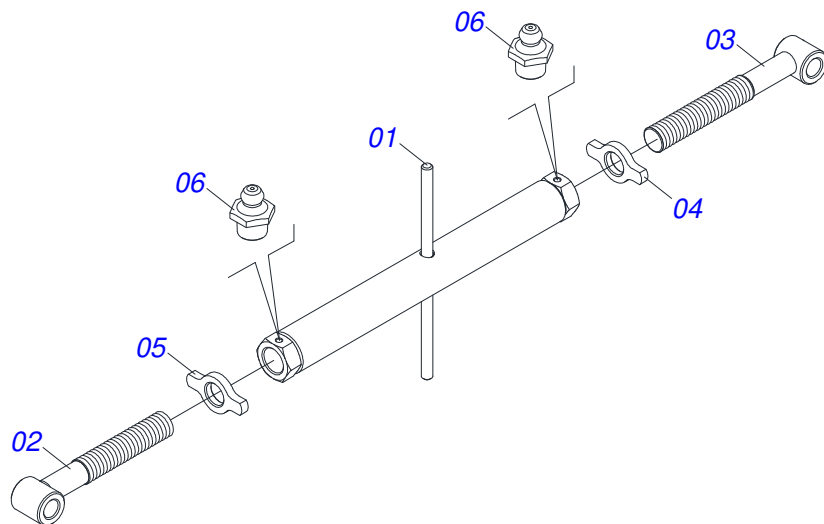
Item	Code	Description	See page	QT
01	0511063767	CABECALHO AST/MATIC 550 S-0202		01
02	1902040223	PIN HITCH		01
03	1902040327	LOCK SLEEVE		01
04	0511014902	COUPLING SHAFT		01
05	0503010571	1/4" X 1.1/2 COTTERPIN		01
06	1902040732	COUPLING		01
07	0521012545	COUPLING SHAFT		01
08	0501011301	1.1/2 UNC 6FPP 2.5/16 NUT		01
09	0503010010	1/4" X 2.1/2" COTTERPIN		01



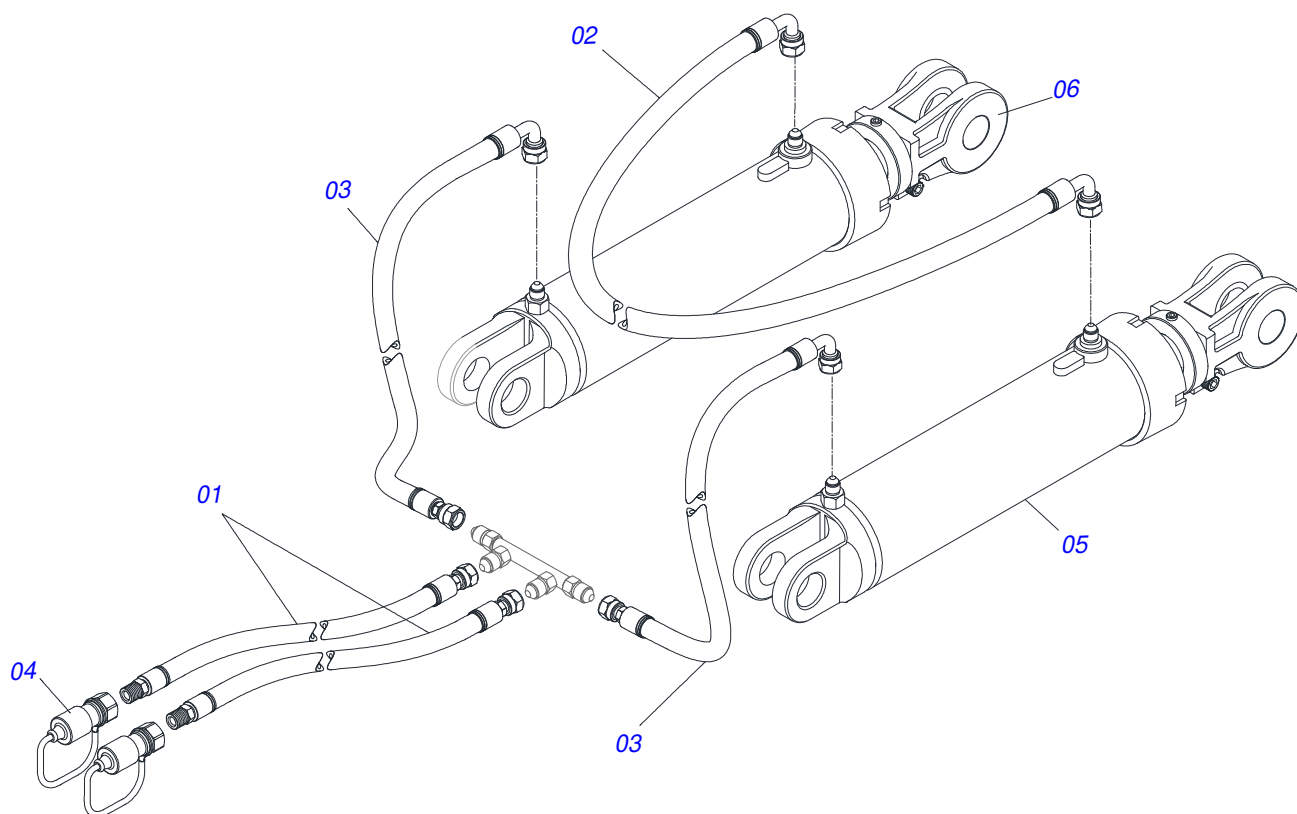
Item	Code	Description	See page	QT
01	0503012108	RODA 10 LB X 15 X 8F X 203 GCRO		01
02	0503010860	CAMARA AR 11L 15		01
03	0503011469	RIB TIRE 12L		01



Item	Code	Description	See page	QT
001	0511064316	SUPORTE ROLO DESTORROADOR 1815 7		01
002	0511069433	BREAK ROLLER BRACKET		01
003	0503010232	5/8" X 1.3/4" BOLT		04
004	0503010013	5/8" NUT		04
005	0511064542	ROLO DEST 1800 AST/MATIC 550 7H		01
006	0531018574	EIXO 1.1/4 X 1840 AST/MATIC 550 7		01
007	0531018575	ARRUELA CONCAVA 33,50X 140X 4,75		02
008	0501058802	5/8 UNC X 2.3/4 BOLT ASSY		04
009	0502010835	1-1/4" EXTERNAL AXLE WASHER		02
010	0501010087	1.1/4" NUT		02
011	0501010455	1.1/4" NUT LOCK		02
012	0501010161	1/2" X 1.1/4" BOLT		02
013	0503011440	SPRING WASHER		02
014	0503010060	1/2" NUT		02
015	0503011445	SPRING WASHER		04
016	0501012140	FLAT WASHER		04
017	0501046922	7.5" X 1-1/4" OIL BATH BEARING		02



Item	Code	Description	See page	17/19/21HASTES
01	0511063786	EXTENSOR 950 AST/MATIC E 550		01
02	0511063787	FUSO EXTERNO R1.1/2 X 432 DIREITO		01
03	0511063788	FUSO EXTERNO R1.1/2 X 432 ESQUERDO		01
04	0541018672	COUNTERNUT		01
05	0541018673	COUNTERNUT		01
06	0503010002	1800 GREASE FITTING		02



Item	Code	Description	See page	QT
01	0501080128	3/8" X 71" TR-TR HOSE ASSY		02
02	0501080403	3/8" X 137" TR-TR HOSE ASSY		01
03	0501080510	3/8" X 137" TR-TR HOSE ASSY		02
04	0501053834	MALE QUICK COUPLER WITH CAP - 1/2 NPT		02
05	0521045646	HYDRAULIC CYLINDER	6	01
06	0521045647	HYDRAULIC CYLINDER	7	01







[www.marchesan.com.br](http://www.marchesan.com.br)



**Technical Publications | Elaboration and Revision**  
LORENA ROCHA ALVES