

## SUBSOILER PLOW

**Code:**

0501092731

**Product:**

AST/MATIC 450 3H 3P



**Series:**

S-0509

**Revision:**

00

**Date Revision:**

MAIO/2020



# PRODUCTS

Code	Description	
0101170101	AST/MATIC 450 3H 3P	S-0509

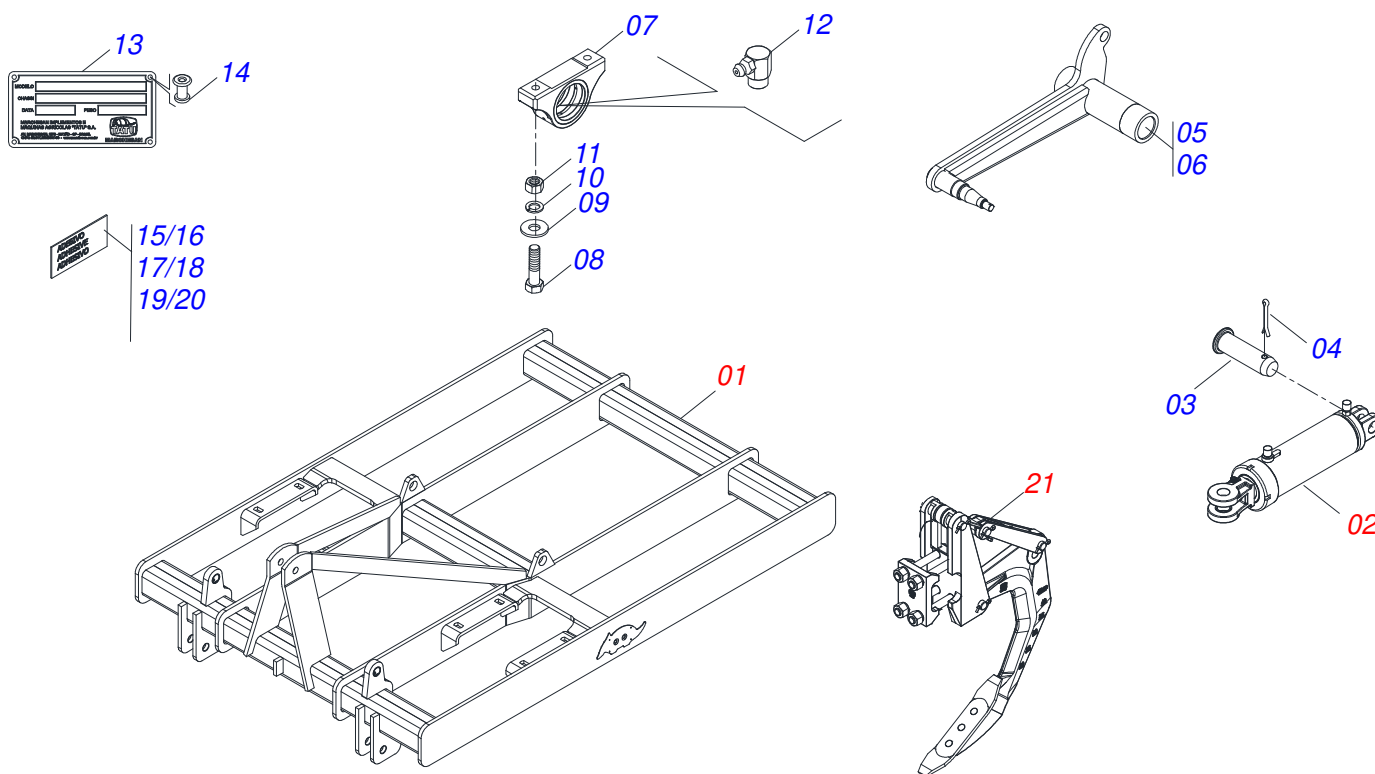
## ATTENTION: IMPORTANT

Marchesan S.A. reserves the right to improve and / or modify the technical features of its products, without obligation to do the same with those products already sold and without prior knowledge of the dealer or the consumer.

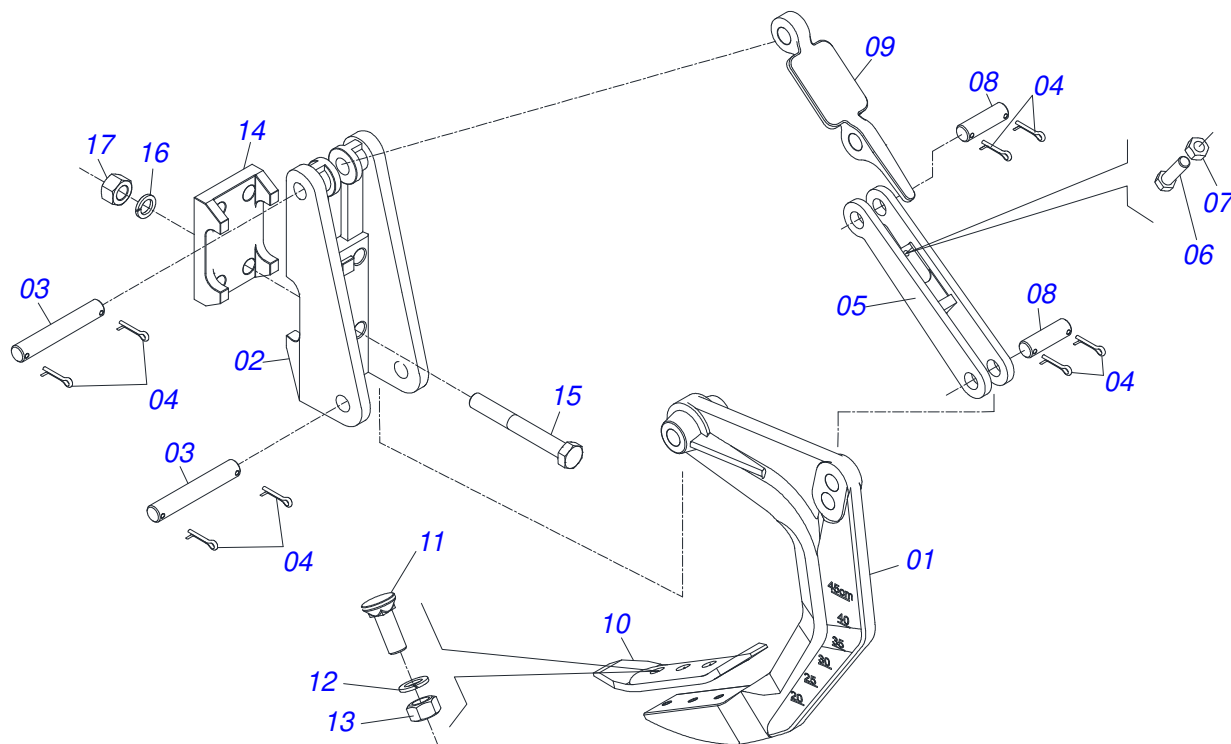


# INDEX

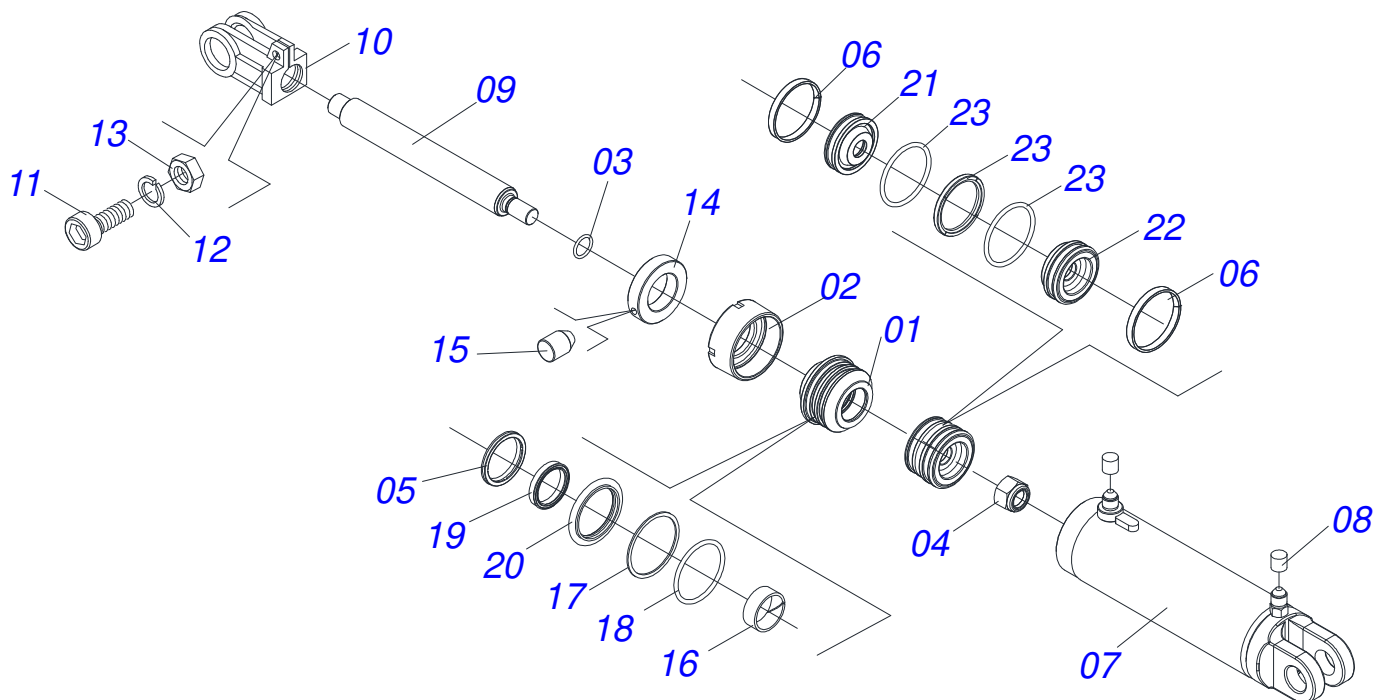
0909098966	FRAME	.....	1
0501046935	SHANKS SYSTEM ASSY AST/MATIC 450	.....	2
0521045637	HYDRAULIC CYLINDER	.....	3
0521045636	HYDRAULIC CYLINDER	.....	4
0501110563	MANCAL ARTICULAÇÃO ESQUERDA C/LUVA	.....	5
0501110568	MANCAL ARTICULAÇÃO DIREITA C/LUVA	.....	6



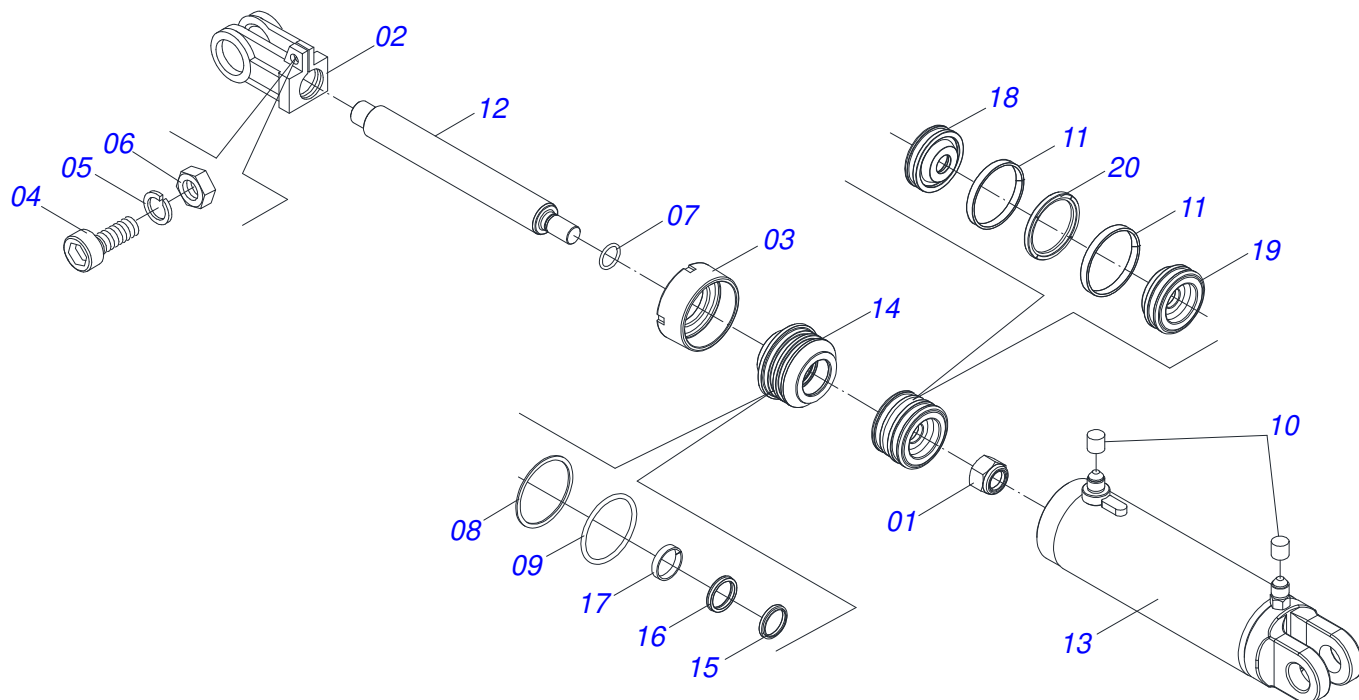
Item	Code	Description	See page	QT
01	0511066099	FRAME		01
02	0521045637	HYDRAULIC CYLINDER	3	01
02.	0521045636	HYDRAULIC CYLINDER	4	01
03	0521012538	1.2" X 3.5" COUPLING SHAFT		04
04	0503010523	1/4" X 2" COTTERPIN		04
05	0501055840	RIGHT CARRYING-WHEELS		01
06	0501055841	LEFT CARRYING-WHEELS		01
07	0501110563	MANCAL ARTICULAÇÃO ESQUERDA C/LUVA	5	02
07.	0501110568	MANCAL ARTICULAÇÃO DIREITA C/LUVA	6	02
08	0503810901	SCREW 3/4 UNC X 3.1/2 C S G.5		08
09	0501810322	FLAT WASHER		08
10	0503011442	3/4" SPRING WASHER		08
11	0503810014	3/4" NUT		08
12	0503010004	1890 GREASE FITTING		04
13	0503034003	SERIAL NUMBER TAG 61 X 118		01
14	0503010001	3.2 X 5.5 RIVET		04
15	0503031428	READ MANUAL DECAL		01
16	0503031827	LUBRICATE AND RETIGHTEN DAILY DECAL		01
17	0503031803	IMPORTANT ADHESIVE STICKER		01
18	0503033795	ADHESIVE LABEL		01
19	0503033794	ADHESIVE		01
20	0503031087	ADHESIVE LABEL		01
21	0501046935	SHANKS SYSTEM ASSY AST/MATIC 450	2	03



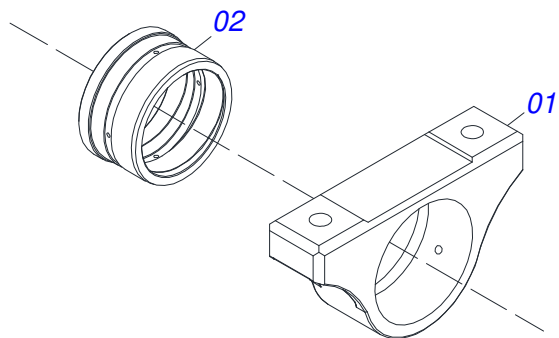
Item	Code	Description	See page	QT
01	0502011264	ARM AST/MATIC		01
02	0502011165	REAR FIXER		01
03	0511015688	1.1" X 7.1" COUPLING SHAFT		02
04	0503010571	1/4" X 1.1/2 COTTERPIN		08
05	0502011164	SUPPORT SPRING		01
06	0503811135	BOLT		01
07	0503010244	7/16" NUT		01
08	0511015689	1.1" X 3.5" COUPLING SHAFT		02
09	0521011631	AUTOMATIC RESET		01
10	0624010005	POINT SUBSOILER 16"X3"X1/2" E019		01
11	0503812956	BOLT		03
12	0503011440	SPRING WASHER		03
13	0503010020	1/2"NUT		03
14	0502011166	FRONT FIXER		01
15	0511019527	1" X 8" BOLT		04
16	0503011438	SPRING WASHER		04
17	0503010340	1" NUT		04



Item	Code	Description	See page	QT
001	0571019711	RING SUPPORT		01
002	0571019709	DETACHABLE COVER		01
003	0503010042	2-214 N 3006-9B O'RING		01
004	0503010063	1" SELF-ALIGNING NUT		01
005	0503010761	D-1750 SCRAPER RING		01
006	0503017883	RING GUIDE		02
007	0521066592	CYLINDER CASE		01
008	0503030385	CYLINDER PLUG N-002		02
009	0521010421	HYDRAULIC CYLINDER TURNBUCKLE		01
010	0502040747	32.54 CLEVIS CLAMP		01
011	0503011094	3/8" X 2" BOLT		01
012	0503010025	3/8" SPRING WASHER		01
013	0503010026	3/8" NUT		01
014	0511018115	1.8" X 0.1" 0.7" BUSHING		01
015	0503011148	3/8" X 1/2" BOLT		01
016	0503017938	RING GUIDE		01
017	0503017940	8-337 BACK-UP RING		02
018	0503017939	2-337 N 3006-9B O' RING		02
019	0503017937	GASKET		01
020	0503017936	RING		01
021	0581012598	PISTON		01
022	0581012597	PISTON		01
023	0503018650	SEALING		01

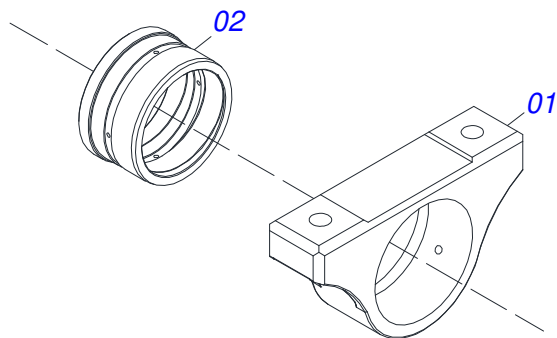


Item	Code	Description	See page	QT
001	0503010817	1.1/4" SELF LOCKING NUT		01
002	0502040747	32.54 CLEVIS CLAMP		01
003	0502010017	4" HEAD		01
004	0503011094	3/8" X 2" BOLT		01
005	0503011443	3/8" SPRING WASHER		01
006	0503010026	3/8" NUT		01
007	0503010345	2-218 N 3006-9B O'RING		01
008	0503010338	2-342 N 3006-9B O'RING		01
009	0503011061	8-342 BACK-UP RING		01
010	0503030385	CYLINDER PLUG N-002		02
011	0503017889	RING GUIDE		02
012	0531018245	EXTENDING BODY		01
013	0521066149	CYLINDER CASE		01
014	0502011250	RING OF SUPPORT		01
015	0503015715	SCRAPER SEALING		01
016	0503015642	U-CUP SEALING		01
017	0503010973	W2-2500-500 PK O'RING G.E		01
018	0581012601	PISTON		01
019	0581012602	PISTON		01
020	0503018651	SEALING		01



Item	Code	Description	See page	QT
001	0502012273	PIVOT BEARING		01
002	0551018339	SLEEVE NYLON 114,40 X 140 X 76		01





Item	Code	Description	See page	QT
001	0502012509	RIGHT PIVOT BEARING		01
002	0551018339	SLEEVE NYLON 114,40 X 140 X 76		01





[www.marchesan.com.br](http://www.marchesan.com.br)



**Technical Publications | Elaboration and Revision**  
LORENA ROCHA ALVES