

SUBSOILER PLOW

Code:

0501092730

Product:

AST/MATIC 450 4H

**Series:**

S-1004

Revision:

REV- 00

Date Revision:

MAIO/2020



PRODUCTS

| Code | Description | |
|------------|-----------------------|--------|
| 0101170102 | AST/MATIC 450 4H | S-1004 |
| 0101170105 | AST/MATIC 450 4H P5/8 | S-1004 |

ATTENTION: IMPORTANT

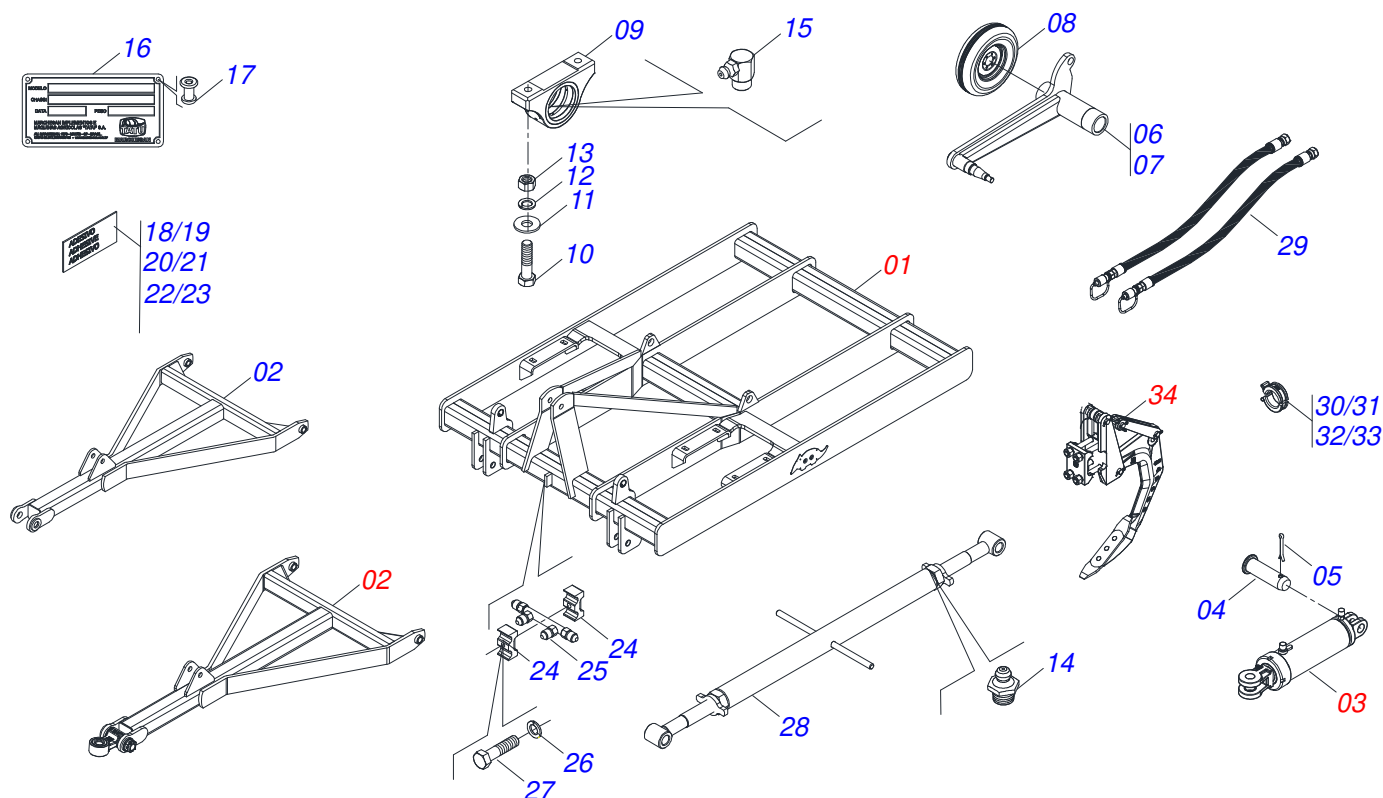
Marchesan S.A. reserves the right to improve and / or modify the technical features of its products, without obligation to do the same with those products already sold and without prior knowledge of the dealer or the consumer.



MARCHESAN

INDEX

| | | | |
|------------|------------------------------------|-------|----|
| 0909098962 | FRAME | | 1 |
| 0521044408 | DRAWBAR | | 2 |
| 0501110563 | MANCAL ARTICULAÇÃO ESQUERDA C/LUVA | | 3 |
| 0501110568 | MANCAL ARTICULAÇÃO DIREITA C/LUVA | | 4 |
| 0503060091 | L29.5"X0.63"-10L WHEEL AND | | 5 |
| 0501046935 | SHANKS SYSTEM ASSY AST/MATIC 450 | | 6 |
| 0511043789 | SHANKS SYSTEM ASSY | | 7 |
| 0521045637 | HYDRAULIC CYLINDER | | 8 |
| 0521045636 | HYDRAULIC CYLINDER | | 9 |
| 0909098963 | HYDRAULIC CIRCUIT | | 10 |



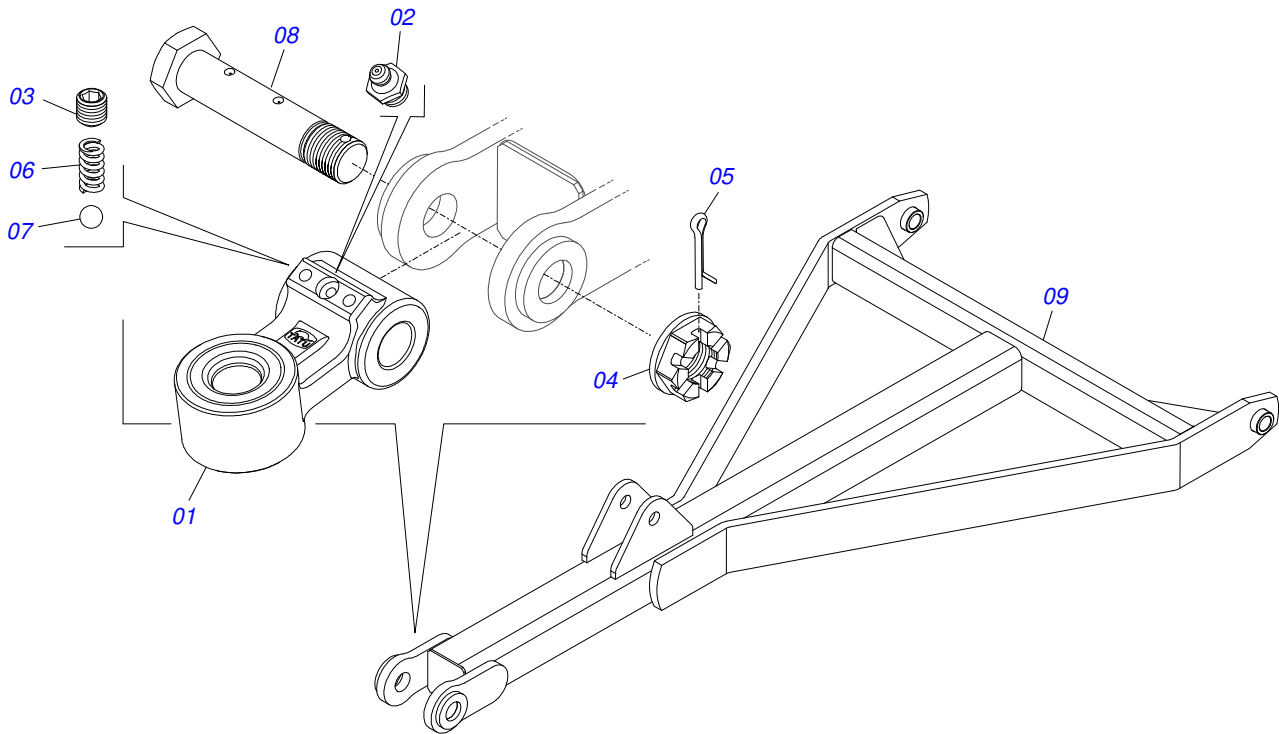
| Item | Code | Description | See page | QT |
|------|------------|-------------------------------------|----------|----|
| 01 | 0511066099 | FRAME | | 01 |
| 02 | 0521044408 | DRAWBAR | 2 | 01 |
| 02. | 0501072538 | DRAWBAR | | 01 |
| 03 | 0521045637 | HYDRAULIC CYLINDER | 8 | 01 |
| 03. | 0521045636 | HYDRAULIC CYLINDER | 9 | 01 |
| 04 | 0521012538 | 1.2" X 3.5" COUPLING SHAFT | | 04 |
| 05 | 0503010523 | 1/4" X 2" COTTERPIN | | 04 |
| 06 | 0501055840 | RIGHT CARRYING-WHEELS | | 01 |
| 07 | 0501055841 | LEFT CARRYING-WHEELS | | 01 |
| 08 | 0503060091 | L29.5"X0.63"-10L WHEEL AND | 5 | 02 |
| 09 | 0501110563 | MANCAL ARTICULAÇÃO ESQUERDA C/LUVA | 3 | 02 |
| 09. | 0501110568 | MANCAL ARTICULAÇÃO DIREITA C/LUVA | 4 | 02 |
| 10 | 0503810901 | SCREW 3/4 UNC X 3.1/2 C S G.5 | | 08 |
| 11 | 0501810322 | FLAT WASHER | | 08 |
| 12 | 0503011442 | 3/4" SPRING WASHER | | 08 |
| 13 | 0503810014 | 3/4" NUT | | 08 |
| 14 | 0503010002 | 1800 GREASE FITTING | | 04 |
| 15 | 0503010004 | 1890 GREASE FITTING | | 04 |
| 16 | 0503034003 | SERIAL NUMBER TAG 61 X 118 | | 01 |
| 17 | 0503010001 | 3.2 X 5.5 RIVET | | 04 |
| 18 | 0503031428 | READ MANUAL DECAL | | 01 |
| 19 | 0503031827 | LUBRICATE AND RETIGHTEN DAILY DECAL | | 01 |
| 20 | 0503031803 | IMPORTANT ADHESIVE STICKER | | 01 |
| 21 | 0503033795 | ADHESIVE LABEL | | 01 |
| 22 | 0503033794 | ADHESIVE | | 01 |
| 23 | 0503031087 | ADHESIVE LABEL | | 01 |
| 24 | 0502012702 | BODY SUPPORT CLAMP | | 03 |
| 25 | 0501068088 | OIL TUBE | | 01 |
| 26 | 0503010180 | 7/16" SPRING WASHER | | 03 |
| 27 | 0503012555 | SCREW 7/16 UNC X 2 CS RT G.7 ZN | | 03 |
| 28 | 0501047356 | ESTABILIZER ASSY | | 01 |



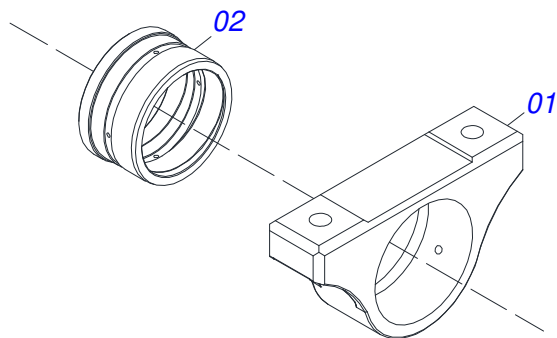
FRAME

0909098962

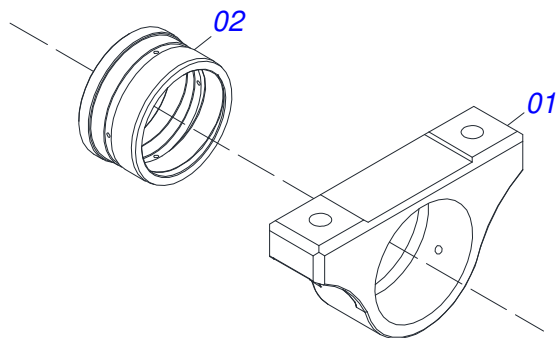
| Item | Code | Description | See page | QT |
|------|------------|----------------------------------|----------|----|
| 29 | 0501055865 | HOSE ASSY | | 01 |
| 30 | 0501047885 | ROD STOP | | 02 |
| 31 | 0501047895 | ROD STOP | | 06 |
| 32 | 0501047886 | ROD STOP | | 02 |
| 33 | 0501047887 | ROD STOP | | 02 |
| 34 | 0501046935 | SHANKS SYSTEM ASSY AST/MATIC 450 | 6 | 04 |
| 34. | 0511043789 | SHANKS SYSTEM ASSY | 7 | 04 |



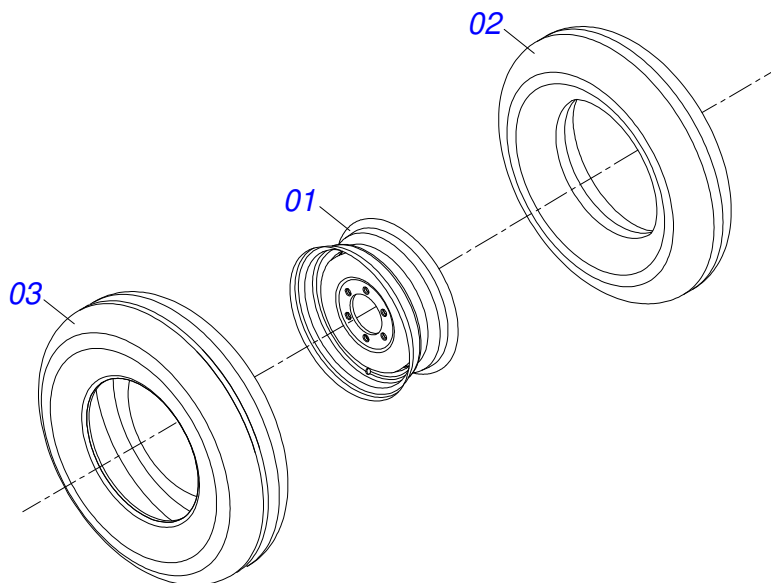
| Item | Code | Description | See page | QT |
|------|------------|---------------------------|----------|----|
| 01 | 0511055614 | HITCH | | 01 |
| 02 | 0503010002 | 1800 GREASE FITTING | | 01 |
| 03 | 0503016482 | BOLT | | 02 |
| 04 | 0501011301 | 1.1/2 UNC 6FPP 2.5/16 NUT | | 01 |
| 05 | 0503010010 | 1/4" X 2.1/2" COTTERPIN | | 01 |
| 06 | 0503033731 | COMPRESSION SPRING LEFT | | 02 |
| 07 | 0503011331 | 3/8 BALL | | 02 |
| 08 | 0571016503 | FIXER BOLT | | 01 |
| 09 | 0521065003 | HEADER S/ HITCH | | 01 |



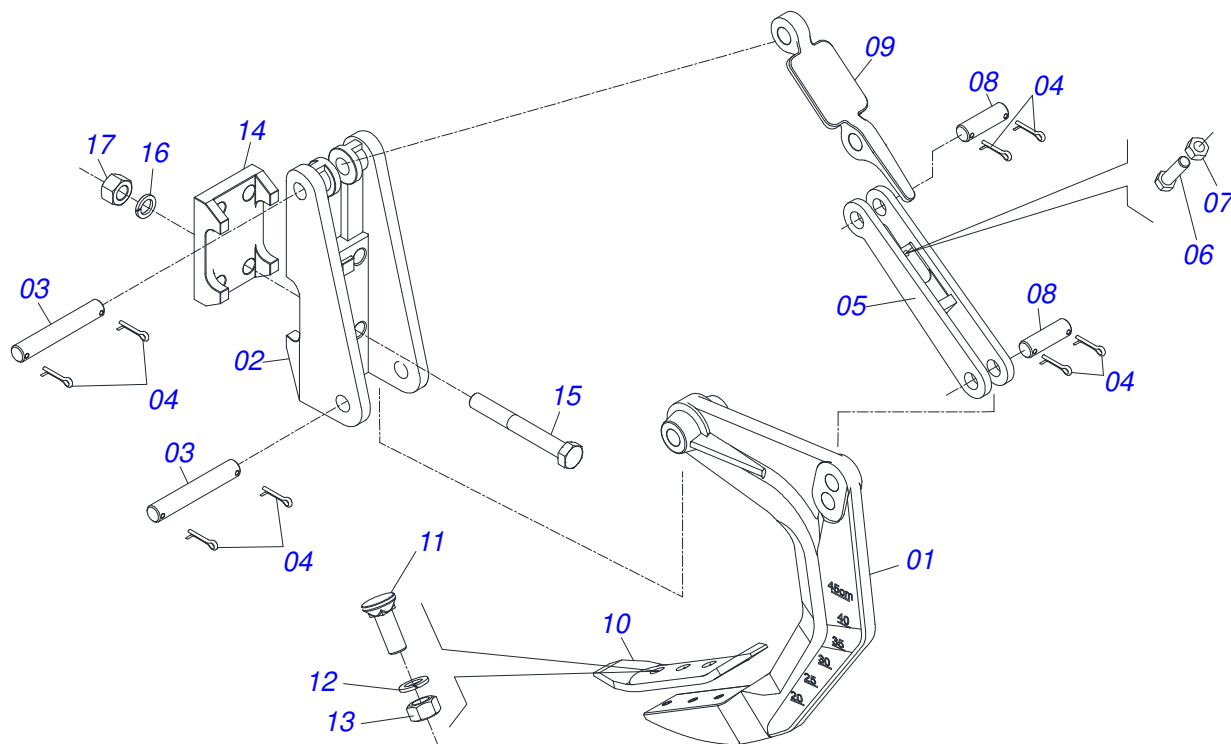
| Item | Code | Description | See page | QT |
|------|------------|--------------------------------|----------|----|
| 001 | 0502012273 | PIVOT BEARING | | 01 |
| 002 | 0551018339 | SLEEVE NYLON 114,40 X 140 X 76 | | 01 |



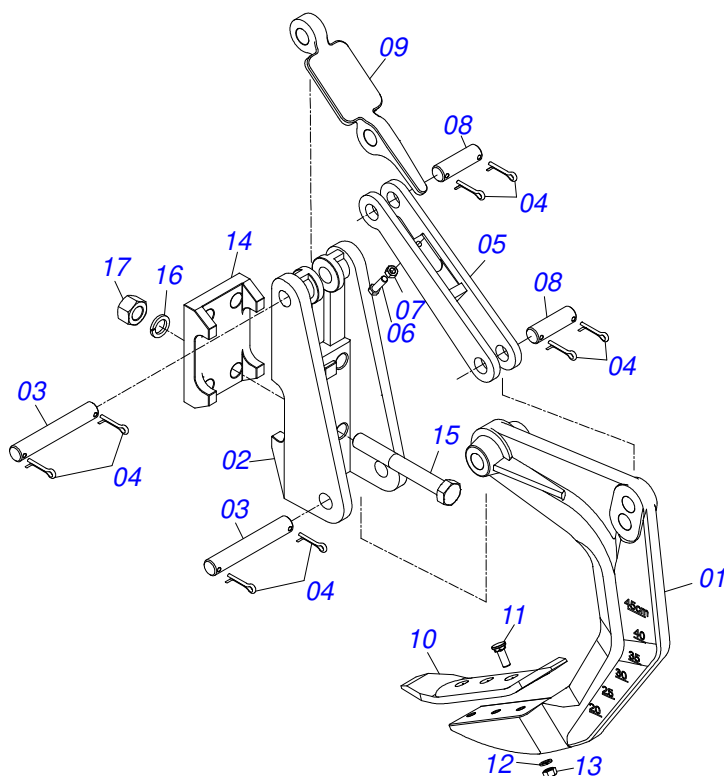
| Item | Code | Description | See page | QT |
|------|------------|--------------------------------|----------|----|
| 001 | 0502012509 | RIGHT PIVOT BEARING | | 01 |
| 002 | 0551018339 | SLEEVE NYLON 114,40 X 140 X 76 | | 01 |



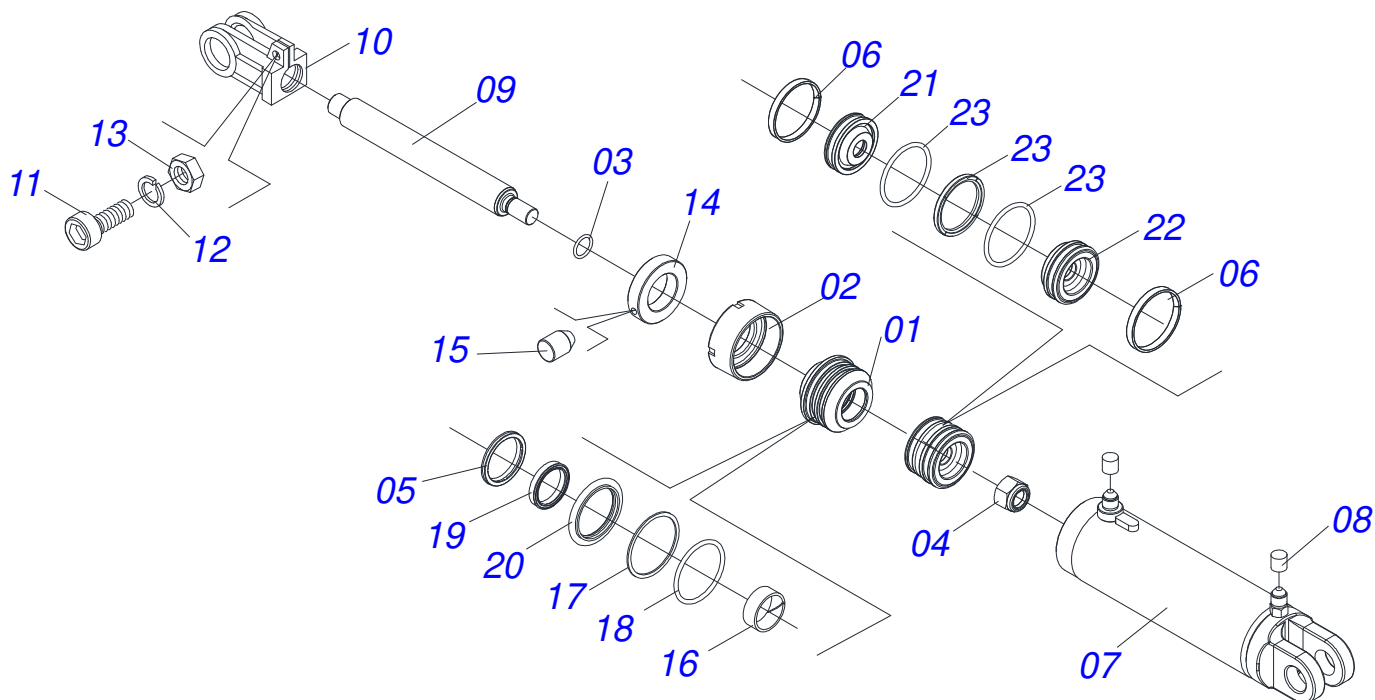
| Item | Code | Description | See page | QT |
|------|------------|----------------------|----------|----|
| 01 | 0503010893 | WHEEL | | 01 |
| 02 | 0503010033 | 7.50 X 16 INNER TIRE | | 01 |
| 03 | 0503010120 | CANVAS TIRE | | 01 |



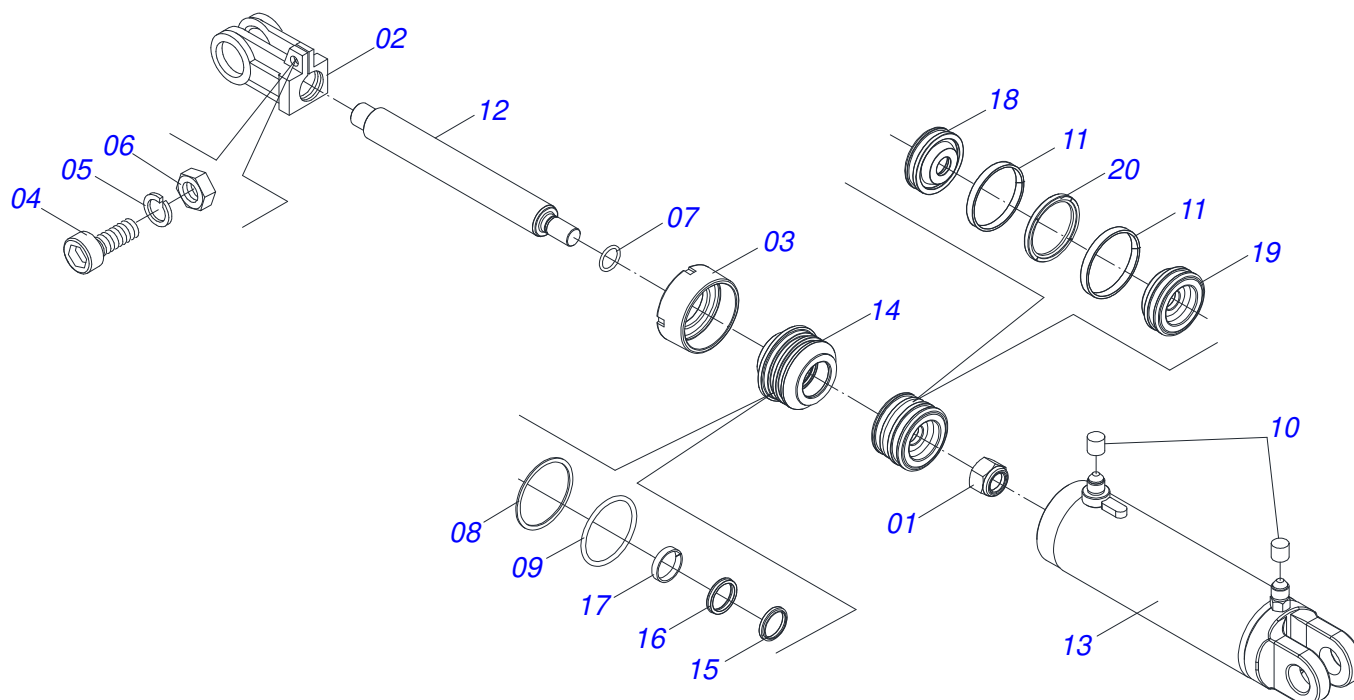
| Item | Code | Description | See page | QT |
|------|------------|----------------------------------|----------|----|
| 01 | 0502011264 | ARM AST/MATIC | | 01 |
| 02 | 0502011165 | REAR FIXER | | 01 |
| 03 | 0511015688 | 1.1" X 7.1" COUPLING SHAFT | | 02 |
| 04 | 0503010571 | 1/4" X 1.1/2 COTTERPIN | | 08 |
| 05 | 0502011164 | SUPPORT SPRING | | 01 |
| 06 | 0503811135 | BOLT | | 01 |
| 07 | 0503010244 | 7/16" NUT | | 01 |
| 08 | 0511015689 | 1.1" X 3.5" COUPLING SHAFT | | 02 |
| 09 | 0521011631 | AUTOMATIC RESET | | 01 |
| 10 | 0624010005 | POINT SUBSOILER 16"X3"X1/2" E019 | | 01 |
| 11 | 0503812956 | BOLT | | 03 |
| 12 | 0503011440 | SPRING WASHER | | 03 |
| 13 | 0503010020 | 1/2"NUT | | 03 |
| 14 | 0502011166 | FRONT FIXER | | 01 |
| 15 | 0511019527 | 1" X 8" BOLT | | 04 |
| 16 | 0503011438 | SPRING WASHER | | 04 |
| 17 | 0503010340 | 1" NUT | | 04 |



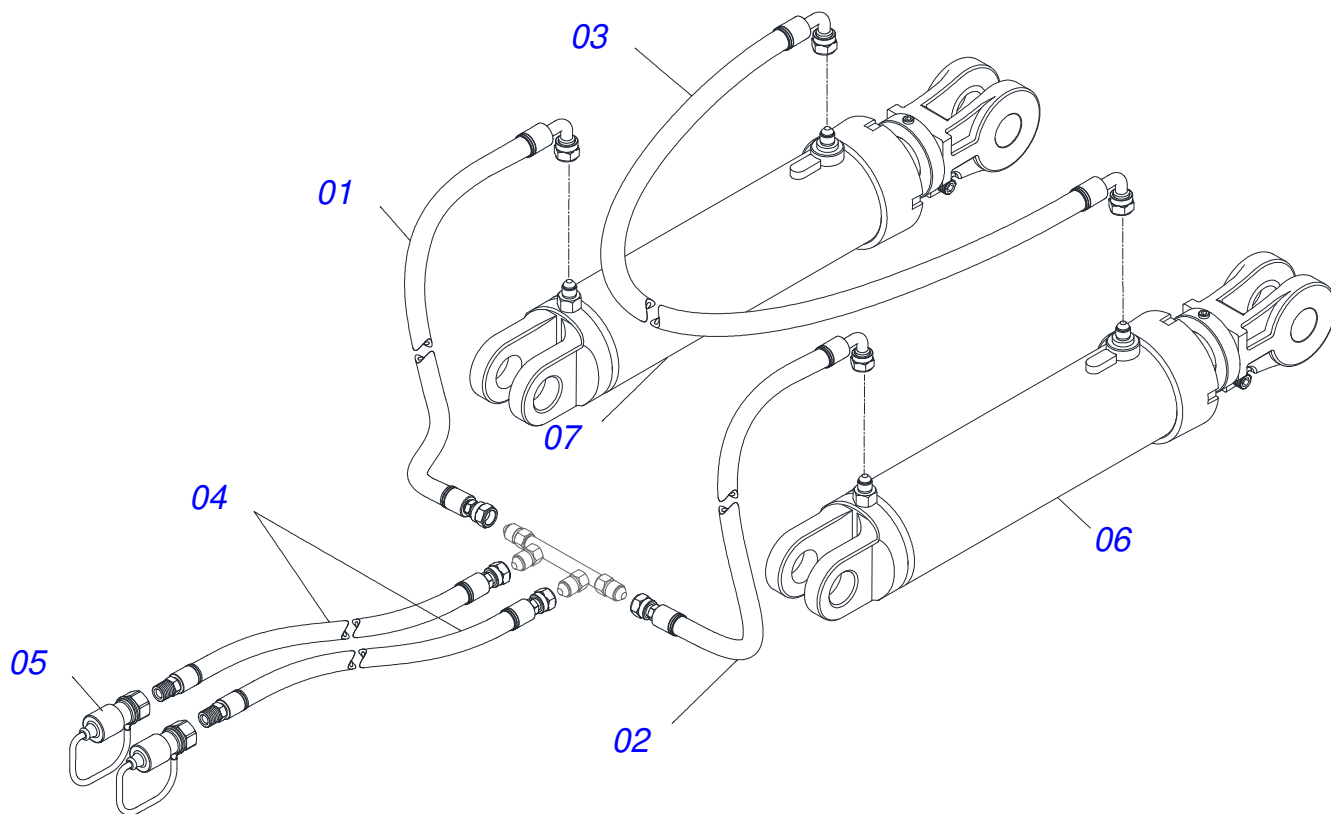
| Item | Code | Description | See page | QT |
|------|------------|---------------------------------|----------|----|
| 01 | 0502011264 | ARM AST/MATIC | | 01 |
| 02 | 0502011165 | REAR FIXER | | 01 |
| 03 | 0511015688 | 1.1" X 7.1" COUPLING SHAFT | | 02 |
| 04 | 0503010571 | 1/4" X 1.1/2 COTTERPIN | | 08 |
| 05 | 0502011164 | SUPPORT SPRING | | 01 |
| 06 | 0503811135 | BOLT | | 01 |
| 07 | 0503010244 | 7/16" NUT | | 01 |
| 08 | 0511015689 | 1.1" X 3.5" COUPLING SHAFT | | 02 |
| 09 | 0521011631 | AUTOMATIC RESET | | 01 |
| 10 | 0624010008 | 16" X 3" X 5/8" POINT SUBSOILER | | 01 |
| 11 | 0503814193 | BOLT | | 03 |
| 12 | 0503011440 | SPRING WASHER | | 03 |
| 13 | 0503010020 | 1/2"NUT | | 03 |
| 14 | 0502011166 | FRONT FIXER | | 01 |
| 15 | 0511019527 | 1" X 8" BOLT | | 04 |
| 16 | 0503011438 | SPRING WASHER | | 04 |
| 17 | 0503010340 | 1" NUT | | 04 |



| Item | Code | Description | See page | QT |
|------|------------|-------------------------------|----------|----|
| 001 | 0571019711 | RING SUPPORT | | 01 |
| 002 | 0571019709 | DETACHABLE COVER | | 01 |
| 003 | 0503010042 | 2-214 N 3006-9B O'RING | | 01 |
| 004 | 0503010063 | 1" SELF-ALIGNING NUT | | 01 |
| 005 | 0503010761 | D-1750 SCRAPER RING | | 01 |
| 006 | 0503017883 | RING GUIDE | | 02 |
| 007 | 0521066592 | CYLINDER CASE | | 01 |
| 008 | 0503030385 | CYLINDER PLUG N-002 | | 02 |
| 009 | 0521010421 | HYDRAULIC CYLINDER TURNBUCKLE | | 01 |
| 010 | 0502040747 | 32.54 CLEVIS CLAMP | | 01 |
| 011 | 0503011094 | 3/8" X 2" BOLT | | 01 |
| 012 | 0503010025 | 3/8" SPRING WASHER | | 01 |
| 013 | 0503010026 | 3/8" NUT | | 01 |
| 014 | 0511018115 | 1.8" X 0.1" 0.7" BUSHING | | 01 |
| 015 | 0503011148 | 3/8" X 1/2" BOLT | | 01 |
| 016 | 0503017938 | RING GUIDE | | 01 |
| 017 | 0503017940 | 8-337 BACK-UP RING | | 02 |
| 018 | 0503017939 | 2-337 N 3006-9B O' RING | | 02 |
| 019 | 0503017937 | GASKET | | 01 |
| 020 | 0503017936 | RING | | 01 |
| 021 | 0581012598 | PISTON | | 01 |
| 022 | 0581012597 | PISTON | | 01 |
| 023 | 0503018650 | SEALING | | 01 |



| Item | Code | Description | See page | QT |
|------|------------|---------------------------|----------|----|
| 001 | 0503010817 | 1.1/4" SELF LOCKING NUT | | 01 |
| 002 | 0502040747 | 32.54 CLEVIS CLAMP | | 01 |
| 003 | 0502010017 | 4" HEAD | | 01 |
| 004 | 0503011094 | 3/8" X 2" BOLT | | 01 |
| 005 | 0503011443 | 3/8" SPRING WASHER | | 01 |
| 006 | 0503010026 | 3/8" NUT | | 01 |
| 007 | 0503010345 | 2-218 N 3006-9B O'RING | | 01 |
| 008 | 0503010338 | 2-342 N 3006-9B O'RING | | 01 |
| 009 | 0503011061 | 8-342 BACK-UP RING | | 01 |
| 010 | 0503030385 | CYLINDER PLUG N-002 | | 02 |
| 011 | 0503017889 | RING GUIDE | | 02 |
| 012 | 0531018245 | EXTENDING BODY | | 01 |
| 013 | 0521066149 | CYLINDER CASE | | 01 |
| 014 | 0502011250 | RING OF SUPPORT | | 01 |
| 015 | 0503015715 | SCRAPER SEALING | | 01 |
| 016 | 0503015642 | U-CUP SEALING | | 01 |
| 017 | 0503010973 | W2-2500-500 PK O'RING G.E | | 01 |
| 018 | 0581012601 | PISTON | | 01 |
| 019 | 0581012602 | PISTON | | 01 |
| 020 | 0503018651 | SEALING | | 01 |



| Item | Code | Description | See page | QT |
|------|------------|---------------------------------------|----------|----|
| 01 | 0501080328 | 3/8" X 29" TR-TC HOSE | | 01 |
| 02 | 0501080055 | 3/8" X 1000 TR-TC HOSE | | 01 |
| 03 | 0501080968 | 3/8 X 1800 TC-TC HOSE | | 01 |
| 04 | 0501080384 | TR-TM HOSE ASSY | | 02 |
| 05 | 0501053834 | MALE QUICK COUPLER WITH CAP - 1/2 NPT | | 02 |
| 06 | 0521045637 | HYDRAULIC CYLINDER | 8 | 01 |
| 07 | 0521045636 | HYDRAULIC CYLINDER | 9 | 01 |



www.marchesan.com.br



Technical Publications | Elaboration and Revision
LORENA ROCHA ALVES