

# PARTS CATALOGUE

## SUBSOILER PLOW

**Code:**

0501092728

**Product:**

AST/MATIC 500 7H RD 3P

**Series:**

S-0106

**Revision:**

00

**Date Revision:**

FEVEREIRO/2021



# PRODUCTS

Code	Description	
0101170115	AST/MATIC 500 7H	S-0106
0101170255	AST/MATIC 500 7H DC	S-0106
0101170111	AST/MATIC 500 7H DC RD	S-0106
0101170111C	AST/MATIC 500 7H DC RD	EXP S-0106
0101170184	AST/MATIC 500 7H RD	S-0106
0101170112	AST/MATIC 500 7H RD 3P	S-0106
0101170184C	AST/MATIC 500 7H RD EXP	S-0106

## ATTENTION: IMPORTANT

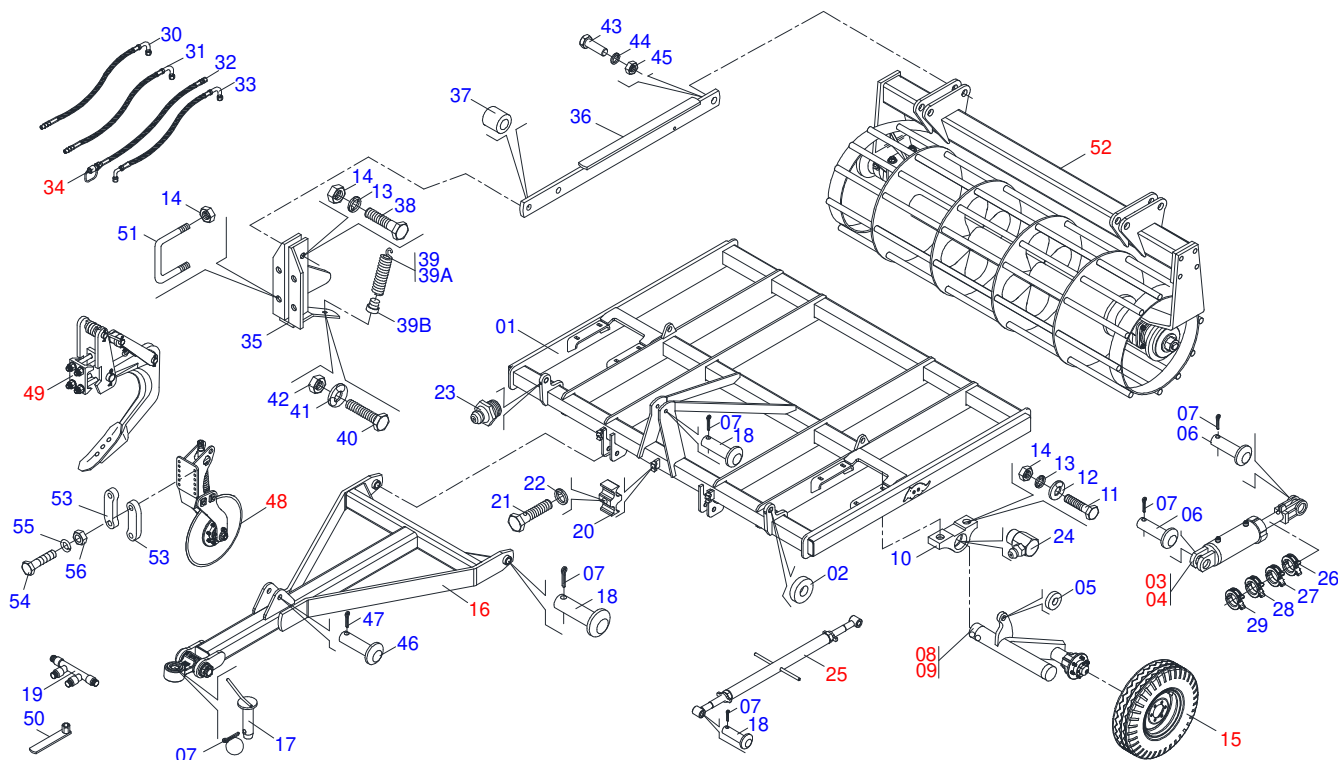
Marchesan S.A. reserves the right to improve and / or modify the technical features of its products, without obligation to do the same with those products already sold and without prior knowledge of the dealer or the consumer.



# INDEX

0909092111	FRAME ASSY	.....	1
0501054969	BREAK ROLLER ARM	.....	2
0521041884	BREAK ROLLER	.....	3
0521044408	DRAWBAR	.....	4
0521045646	HYDRAULIC CYLINDER	.....	5
0521045647	HYDRAULIC CYLINDER	.....	6
0501054990	FURROW WHEEL RIGHT SUPPORT	.....	7
0501054991	LH SUPPORT STUB SHAFT & HUB	.....	8
0511045923	SHANKS SYSTEM ASSY	.....	9
0521040616	FRONT CUTTING DISC	.....	10
0521040619	REAR CUTTING DISC	.....	11
0909091342	HIDRAULIC CIRCUIT	.....	12
0501046922	7.5" X 1-1/4" OIL BATH BEARING	.....	13
0503062010	750 X 16-12L ASSY WHEEL AND TIRE	.....	14
0501047356	ESTABILIZER ASSY	.....	15

FRAME ASSY



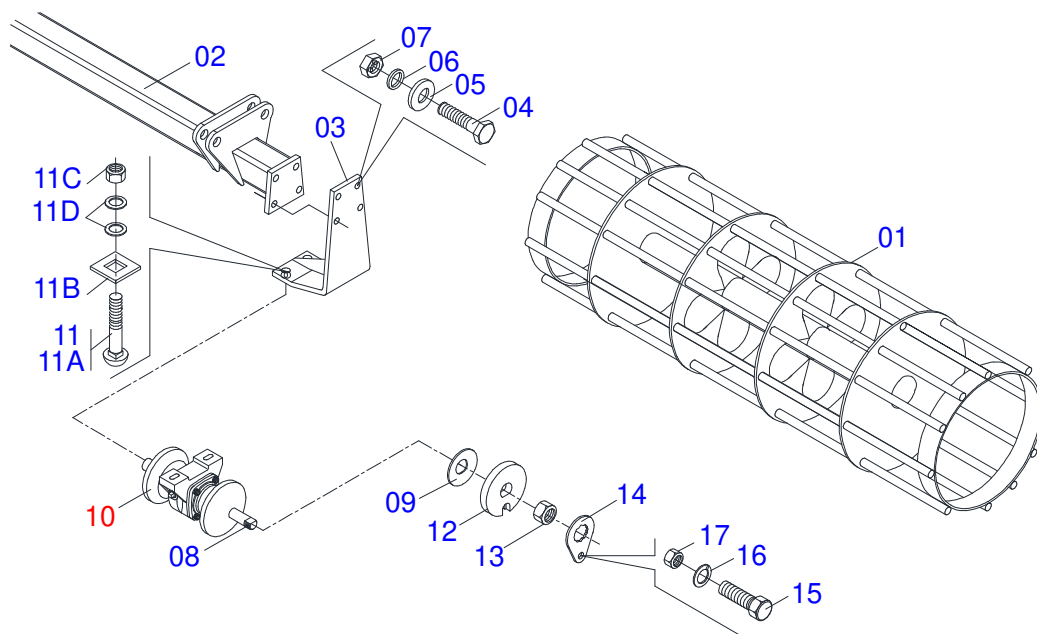
Item	Code	Description	See page	QT
01	0511067395	FRAME		01
02	0511019920	LUVA 32,7 X 38,8 X 25,40		02
03	0521045646	HYDRAULIC CYLINDER	5	02
04	0521045647	HYDRAULIC CYLINDER	6	01
05	0511019920	LUVA 32,7 X 38,8 X 25,40		01
06	0521012538	1.2" X 3.5" COUPLING SHAFT		04
07	0503010523	1/4" X 2" COTTERPIN		06
08	0501054990	FURROW WHEEL RIGHT SUPPORT	7	01
09	0501054991	LH SUPPORT STUB SHAFT & HUB	8	01
10	0501110563	LEFT PIVOT BEARING WITH SLEEVE		04
10.	0501110568	RIGHT PIVOT BEARING WITH SLEEVE		04
11	0503010901	3/4UNC 3.1/2 BOLT		08
12	0501010322	FLAT WASHER		08
13	0503011442	3/4" SPRING WASHER		08
14	0503010014	3/4" NUT		08
15	0503062010	750 X 16-12L ASSY WHEEL AND TIRE	14	02
16	0521044408	DRAWBAR	4	01
17	0501069080	COUPLING SHAFT		01
18	0521010596	COUPLING SHAFT		02
19	0501068088	OIL TUBE		01
20	0502012702	BODY SUPPORT CLAMP		03
21	0503010751	C3/8" X 1.1/4" HEX BOLT G.5		03
22	0503010025	3/8" SPRING WASHER		03
23	0503010002	1800 GREASE FITTING		04
24	0503010004	1890 GREASE FITTING		04
25	0501047356	ESTABILIZER ASSY	15	01
26	0501047887	ROD STOP		02
27	0501047889	1.96" ROD STOP		02
28	0501047895	ROD STOP		06
29	0501047885	ROD STOP		06
30	0501080025	TR-TC HOSE ASSY		01



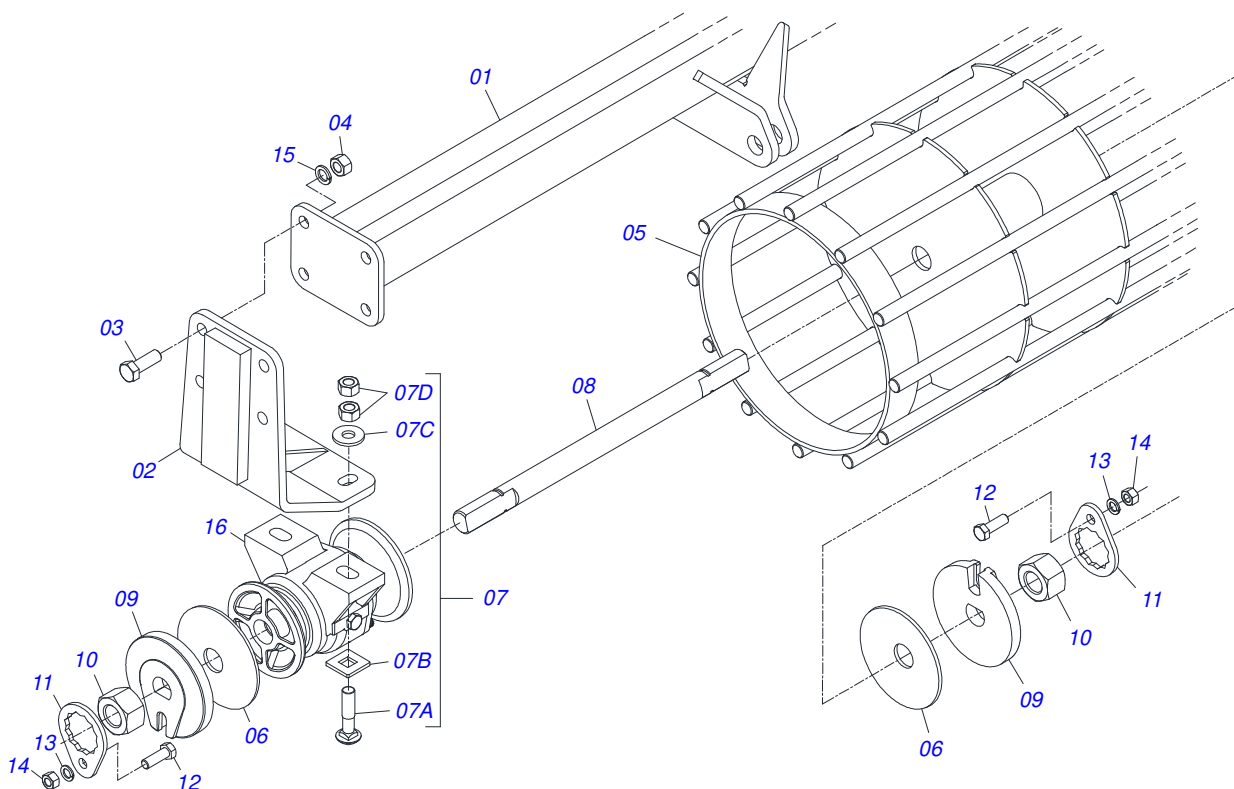
## FRAME ASSY

0909092111

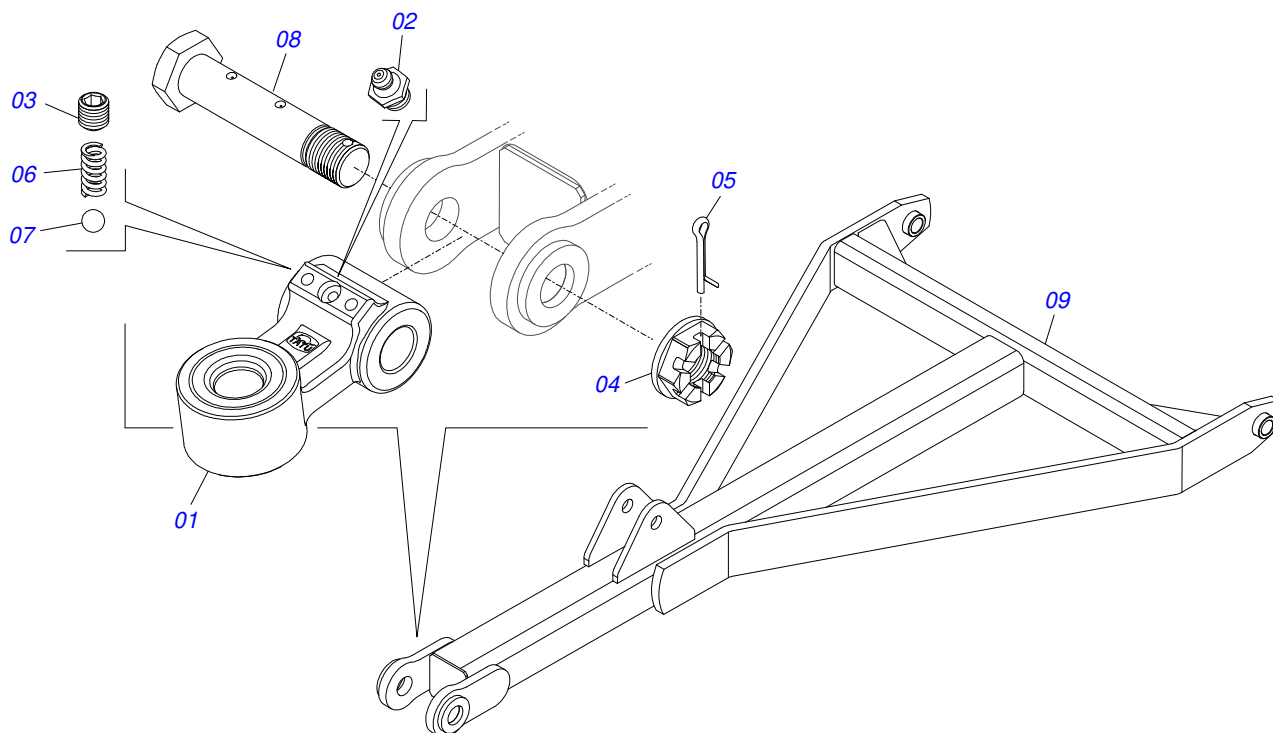
Item	Code	Description	See page	QT
31	0501080402	HOSE 3/8 X 1700 TR-TC		01
32	0501080384	TR-TM HOSE ASSY		02
33	0501080479	TC-TC HOSE ASSY		01
34	0501053834	MALE QUICK COUPLER WITH CAP - 1/2 NPT		02
35	0501068437	BREAK ROLLER SUPPORT FIXATION		02
36	0511069306	FIXER ROLLER ARM		02
37	0511018178	BUSHING		02
38	0501010827	3/4" X 2-3/4" BOLT		02
39	0501053355	HITCH TRACTION SPRING		02
39A	0503030806	2.3" X 8" X 0.3" TRACTION SPRING		02
39B	0502011060	SUPPORT SPRING		02
40	0503011264	1/2" X 2-1/2" BOLT		02
41	0511017302	FLAT WASHER		02
42	0503010060	1/2" NUT		02
43	0501010276	BOLT		04
44	0503010012	1" SPRING WASHER		04
45	0501010059	1.5/8 NUT		04
46	0521010579	COUPLING SHAFT		02
47	0503010571	1/4" X 1.1/2 COTTERPIN		02
48	0521040619	REAR CUTTING DISC	11	02
49	0511045923	SHANKS SYSTEM ASSY	9	05
50	0503033367	1" WRENCH CYLINDRICAL HEX		01
51	0521014574	3/4" FASTENE		04
52	0521041884	BREAK ROLLER	3	01
53	0571011609	FIXER PLATE CUTTING DISC		14
54	0503014744	3/4 UNF X 7.1/2 C S G.7 ZN BOLT		28
55	0503010023	3/4" SPRING WASHER		28
56	0503010335	3/4"NUT		28



Item	Code	Description	See page	QT
01	0511065139	2066 BREAK ROLLER		01
02	0511065140	2080 BREAK ROLLER SUPPORT		01
03	0511069433	BREAK ROLLER BRACKET		01
04	0503810232	BOLT		04
05	0501012140	FLAT WASHER		04
06	0503011445	SPRING WASHER		08
07	0503010013	5/8" NUT		05
08	0511017878	1.1/4 X 2105 AXLE		01
09	0531018575	WASHER CONCAVE		02
10	0501046922	7.5" X 1-1/4" OIL BATH BEARING	13	02
11	0501058802	5/8 UNC X 2.3/4 BOLT ASSY		04
11A	0503015154	5/8" X 2.3/4" BOLT		04
11B	0501010947	5/8 NUT LOCK		04
11C	0503010013	5/8" NUT		04
11D	0501012140	FLAT WASHER		08
12	0502010835	1-1/4" EXTERNAL AXLE WASHER		02
13	0501010087	1.1/4" NUT		02
14	0501010455	1.1/4" NUT LOCK		02
15	0501010161	1/2" X 1.1/4" BOLT		02
16	0503011440	SPRING WASHER		05
17	0503010060	1/2" NUT		02

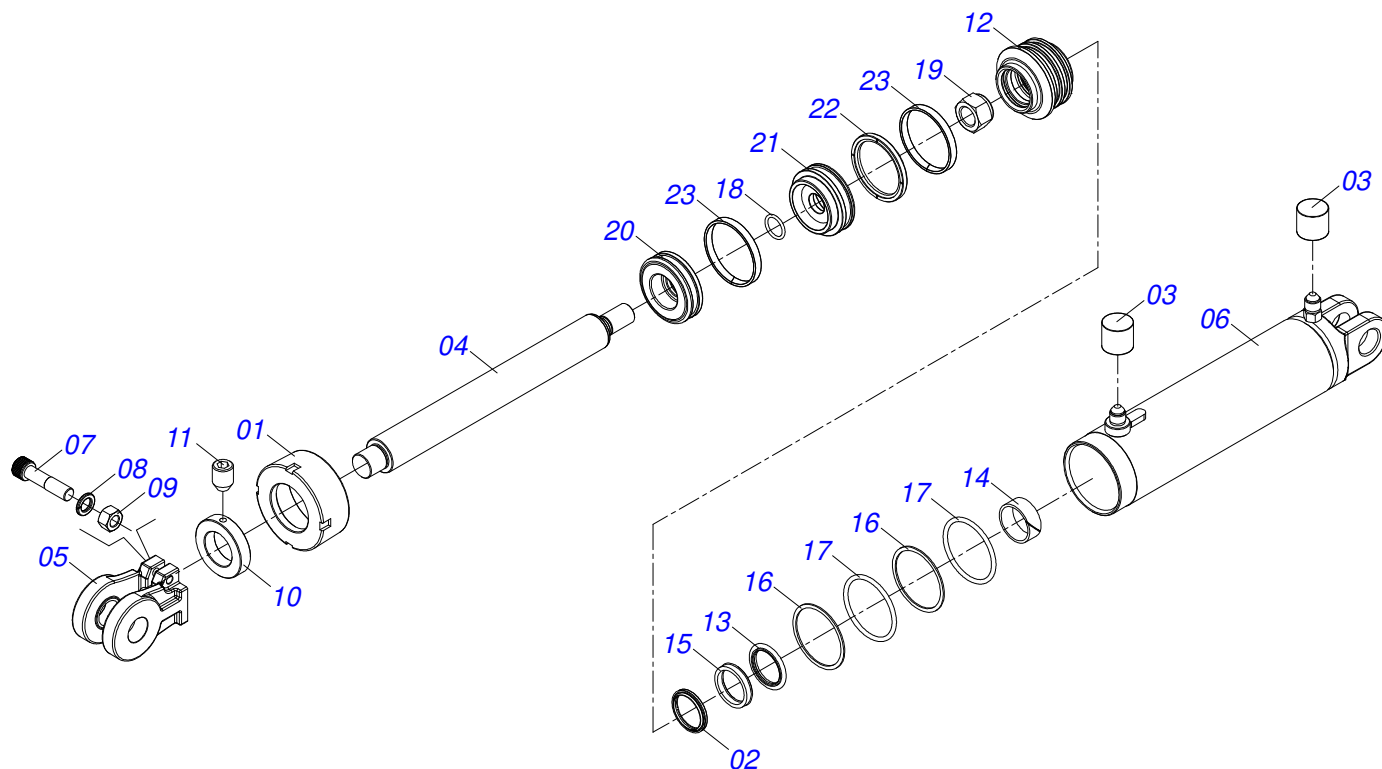


Item	Code	Description	See page	QT
01	0521063832	BREAK ROLLER SUPPORT		01
02	0511069433	BREAK ROLLER BRACKET		02
03	0503010232	5/8" X 1.3/4" BOLT		04
04	0503010013	5/8" NUT		04
05	0521063137	BREAK ROLLER		01
06	0531018575	WASHER CONCAVE		02
07	0501058802	5/8 UNC X 2.3/4 BOLT ASSY		04
07A	0503015154	5/8" X 2.3/4" BOLT		04
07B	0501010947	5/8 NUT LOCK		04
07C	0501012140	FLAT WASHER		04
07D	0503010013	5/8" NUT		08
08	0501010752	1.1/4" X 500 AXLE		02
09	1902010835	1-1/4" EXTERNAL AXLE WASHER		04
10	0501010087	1.1/4" NUT		04
11	0501010455	1.1/4" NUT LOCK		04
12	0501010063	1/2" X 1-1/2" BOLT		04
13	0503011440	SPRING WASHER		04
14	0503010060	1/2" NUT		04
15	0503011445	SPRING WASHER		04
16	0501046922	7.5" X 1-1/4" OIL BATH BEARING	13	02

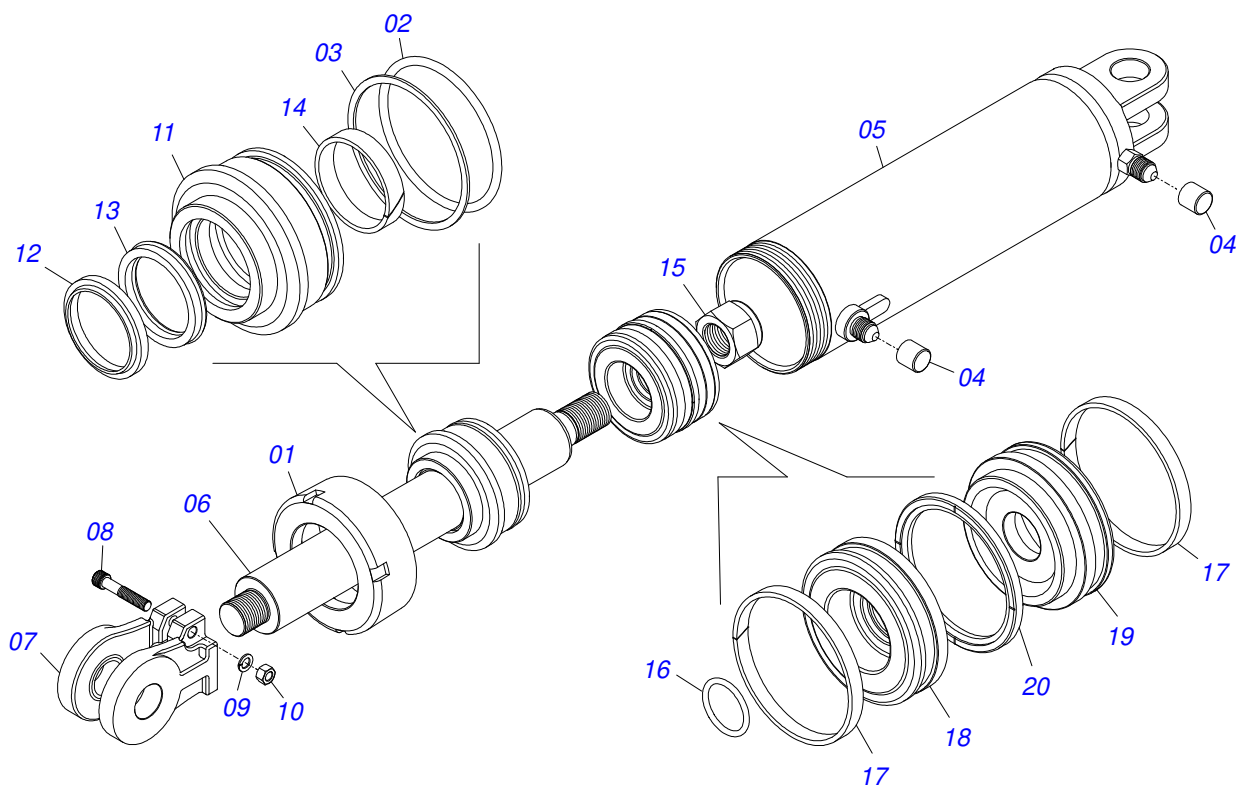


Item	Code	Description	See page	QT
01	0511055614	HITCH		01
02	0503010002	1800 GREASE FITTING		01
03	0503016482	BOLT		02
04	0501011301	1.1/2 UNC 6FPP 2.5/16 NUT		01
05	0503010010	1/4" X 2.1/2" COTTERPIN		01
06	0503033731	COMPRESSION SPRING LEFT		02
07	0503011331	3/8 BALL		02
08	0571016503	FIXER BOLT		01
09	0521065003	HEADER S/ HITCH		01

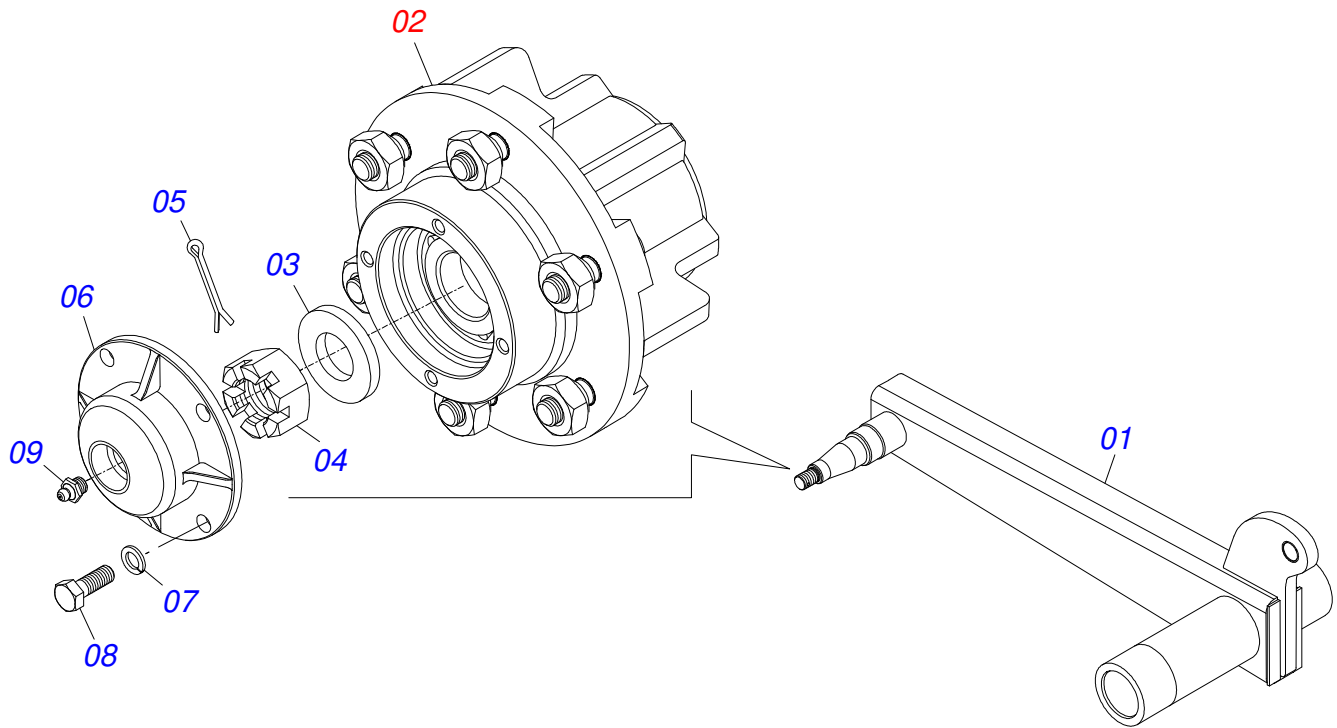




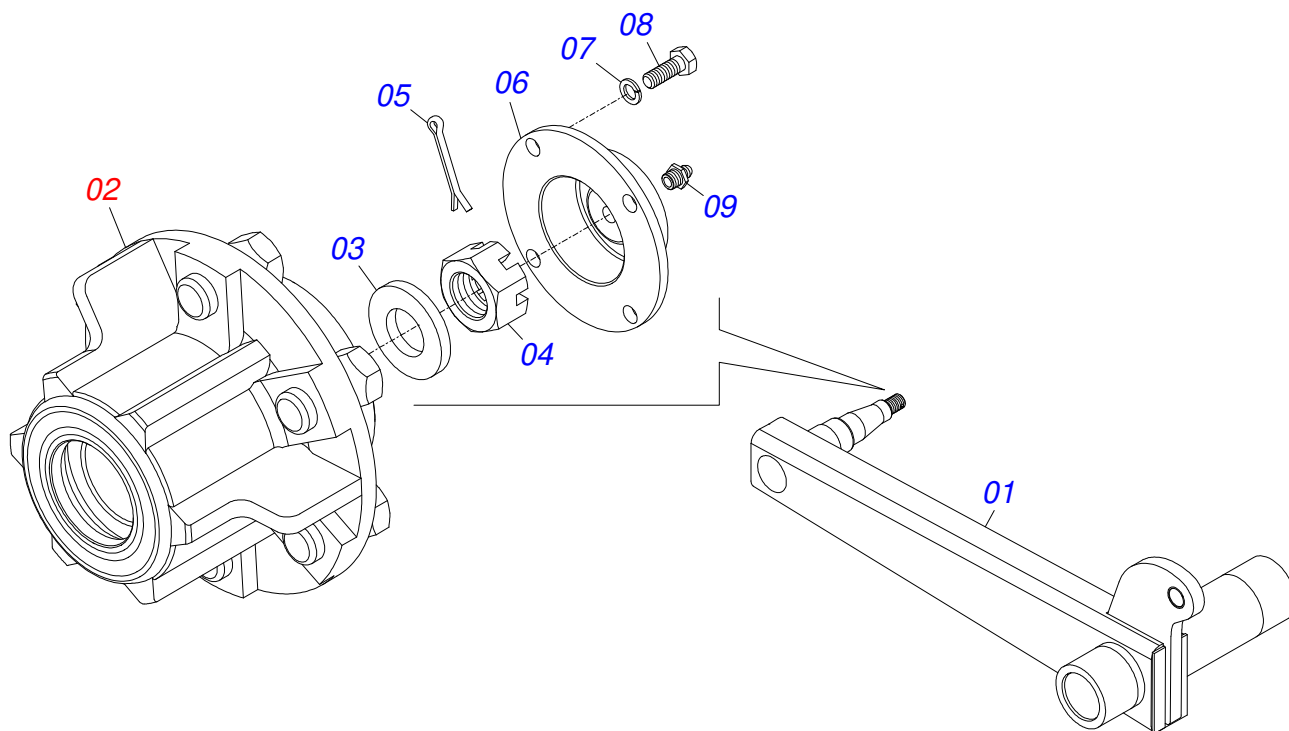
Item	Code	Description	See page	QT
01	0571019709	DETACHABLE COVER		01
02	0503010761	D-1750 SCRAPER RING		01
03	0503030385	CYLINDER PLUG N-002		02
04	0521016677	1.75" X 17.5" TURNBUCLE		01
05	0502040747	32.54 CLEVIS CLAMP		01
06	0521066182	CYLINDER CASE		01
07	0503011094	3/8" X 2" BOLT		01
08	0503011443	3/8" SPRING WASHER		01
09	0503010026	3/8" NUT		01
10	0511018115	1.8" X 0.1" 0.7" BUSHING		01
11	0503011148	3/8" X 1/2" BOLT		01
12	0571019711	RING SUPPORT		01
13	0503017936	RING		01
14	0503017938	RING GUIDE		01
15	0503017937	GASKET		01
16	0503017940	8-337 BACK-UP RING		02
17	0503017939	2-337 N 3006-9B O' RING		02
18	0503010042	2-214 N 3006-9B O'RING		01
19	0503010063	1" SELF-ALIGNING NUT		01
20	0581012598	PISTON		01
21	0581012597	PISTON		01
22	0503018650	SEALING		01
23	0503017883	RING GUIDE		02



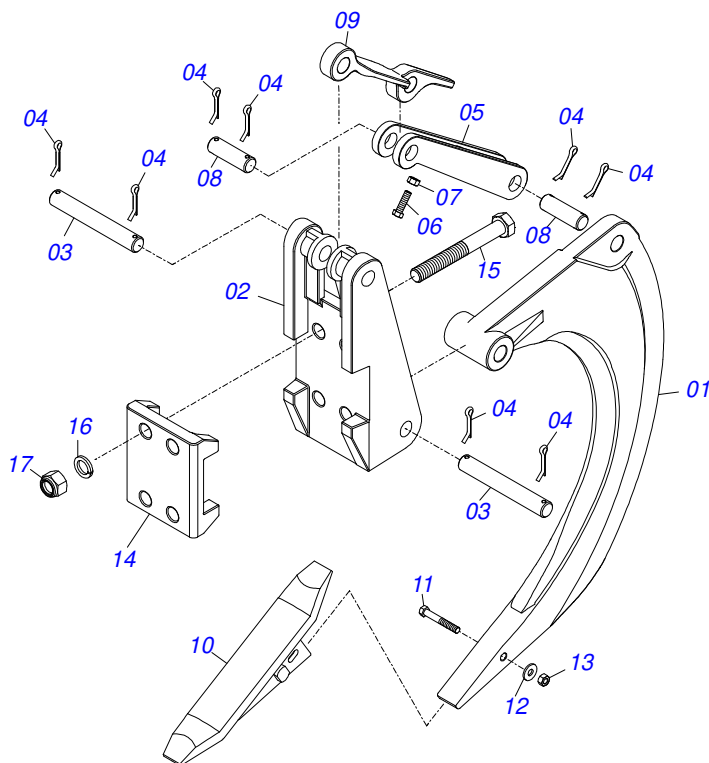
Item	Code	Description	See page	QT
01	0502010017	4" HEAD		01
02	0503010338	2-342 N 3006-9B O'RING		01
03	0503011061	8-342 BACK-UP RING		01
04	0503030385	CYLINDER PLUG N-002		02
05	0521066183	CYLINDER CASE		01
06	0531018706	2.1" X 17" EXTENDING BODY		01
07	0502040747	32.54 CLEVIS CLAMP		01
08	0503011094	3/8" X 2" BOLT		01
09	0503011443	3/8" SPRING WASHER		01
10	0503010026	3/8" NUT		01
11	0502011250	RING OF SUPPORT		01
12	0503015715	SCRAPER SEALING		01
13	0503015642	U-CUP SEALING		01
14	0503010973	W2-2500-500 PK O'RING G.E		01
15	0503010817	1.1/4" SELF LOCKING NUT		01
16	0503010345	2-218 N 3006-9B O'RING		01
17	0503017889	RING GUIDE		02
18	0581012601	PISTON		01
19	0581012602	PISTON		01
20	0503018651	SEALING		01



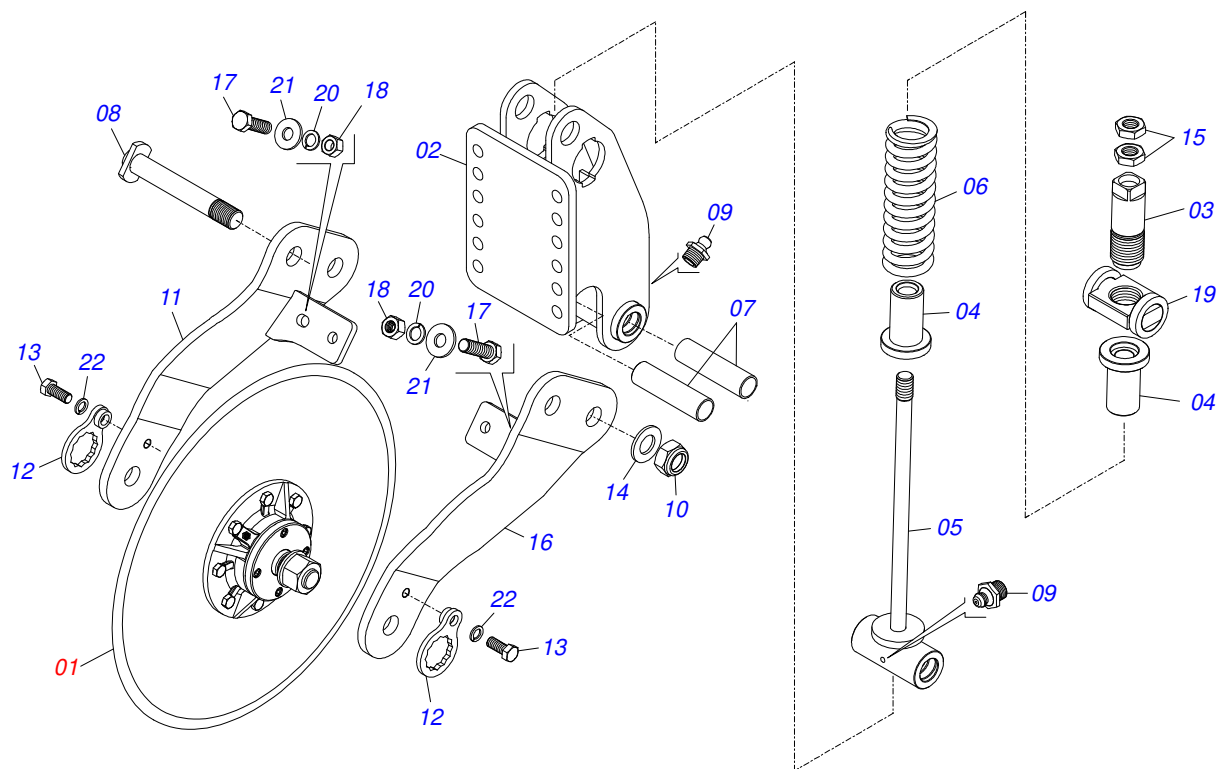
Item	Code	Description	See page	QT
01	0511065157	RIGHT CARRYING-WHEELS		01
02	0501051142	CARRYING WHEEL HUB		01
03	0501016545	FLAT WASHER		01
04	0503030009	1" CASTLE NUT		01
05	0503010018	5/32 X 1-1/2 COTTERPIN		01
06	0502020591	PROTECCION COVER		01
07	0503011444	SPRING WASHER		04
08	0503010358	5/16" X 5/8" BOLT		04
09	0503010002	1800 GREASE FITTING		01



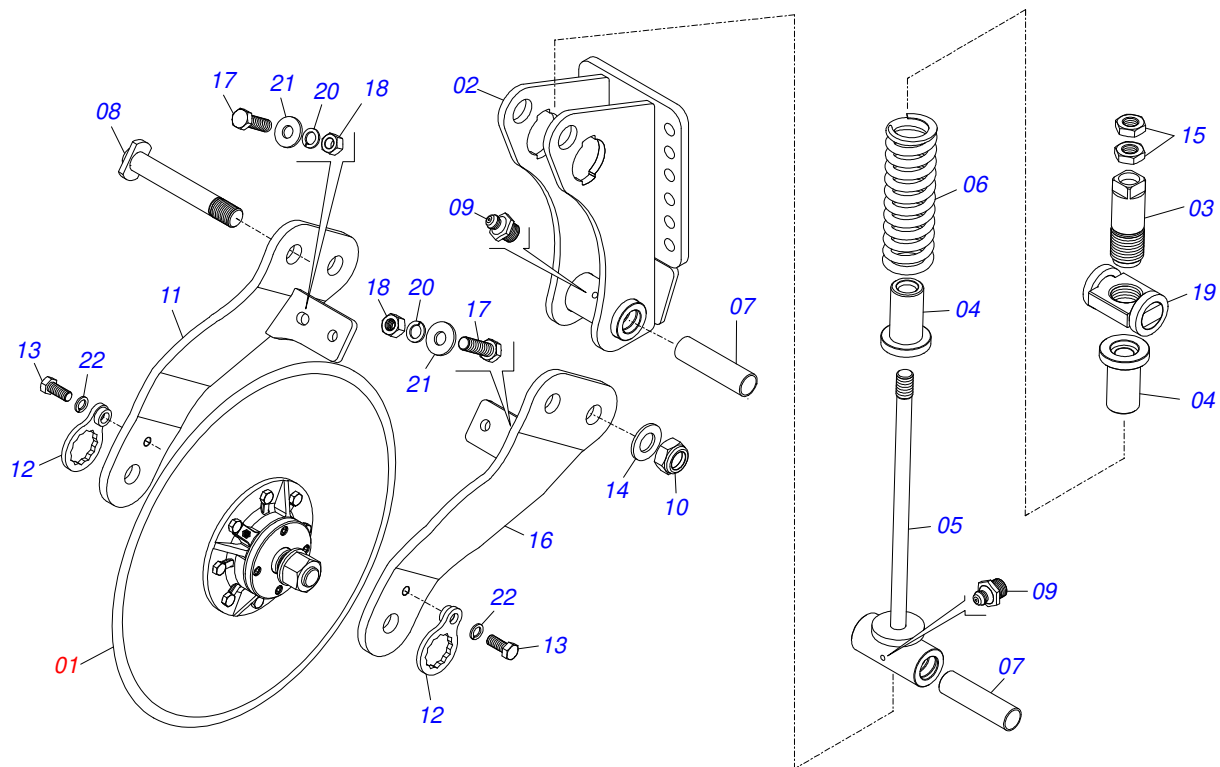
Item	Code	Description	See page	QT
01	0511065158	LEFT CARRYING-WHEELS		01
02	0501051142	CARRYING WHEEL HUB		01
03	0501016545	FLAT WASHER		01
04	0503030009	1" CASTLE NUT		01
05	0503010018	5/32 X 1-1/2 COTTERPIN		01
06	0502020591	PROTECCION COVER		01
07	0503011444	SPRING WASHER		04
08	0503010358	5/16" X 5/8" BOLT		04
09	0503010002	1800 GREASE FITTING		01



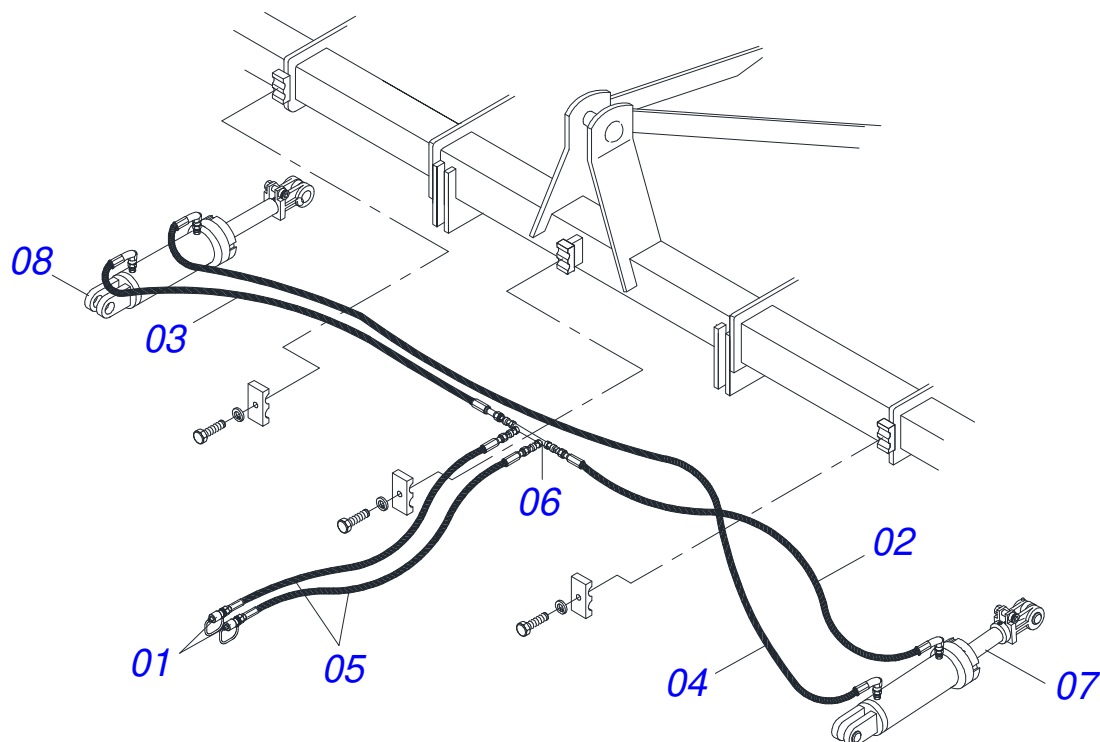
Item	Code	Description	See page	QT
01	0502012451	TURNBUCLE		01
02	0502011551	REAR FIXER		01
03	0521013024	28,50 X 184 AXLE		02
04	0503010571	1/4" X 1.1/2 COTTERPIN		08
05	0502011164	SUPPORT SPRING		01
06	0503011135	BOLT		01
07	0503010244	7/16" NUT		01
08	0511015689	1.1" X 3.5" COUPLING SHAFT		02
09	0521011631	AUTOMATIC RESET		01
10	0511068435	POINT SUBSOILER		01
11	0503010850	BOLT 7/16 UNC X 3 CS G.5 ZN		01
12	0501012803	FLAT WASHER		01
13	0503010244	7/16" NUT		01
14	0502011552	FRONT FIXER		01
15	0511019527	1" X 8" BOLT		04
16	0503011438	SPRING WASHER		04
17	0503010063	1" SELF-ALIGNING NUT		04



Item	Code	Description	See page	QT
01	0511053370	24" X 7,5 BLADE DISC ASSY		01
02	0511068433	FRONT DISC BLADE FIXER		01
03	0571010668	2" REGULATOR SPINDLE		01
04	0571010669	SLEEVE		02
05	0521062925	PRING ROD		01
06	0503031390	2.1"X10"X1/2" COMPRESSION SPRING		01
07	0551014549	32,54 SLEEVE		02
08	0521062926	COUPLING SHAFT		02
09	0503010002	1800 GREASE FITTING		02
10	0503010044	1-1/4" SELF LOCKING NUT		02
11	0521062924	RIGHT ARM THE BLADE DISC		01
12	0501069637	AXLE NUT LOCK		02
13	0503011267	BOLT 5/8 UNC X 1.1/2 C S G.5 ZN		02
14	0501017779	32 X 60 X 4.75 FLAT WASHER		02
15	0503013635	1" NUT		02
16	0521064686	RIGHT ARM OF THE BLADE DISC		01
17	0501010100	SCREW 5/8 UNC X 2 CS G.5 ZN		02
18	0503010013	5/8" NUT		02
19	0521064687	SPRING LOCKNUT		01
20	0503011445	SPRING WASHER		02
21	0501012140	FLAT WASHER		02
22	0503010027	5/8" SPRING WASHER		02

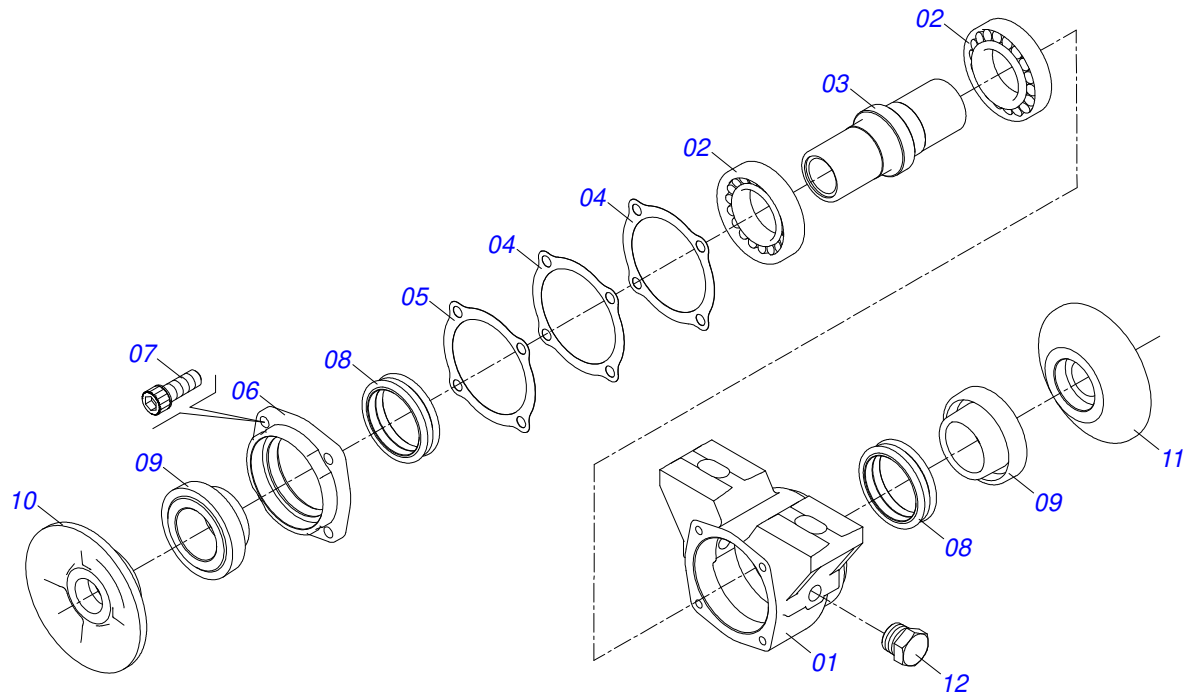


Item	Code	Description	See page	QT
01	0511053370	24" X 7,5 BLADE DISC ASSY		01
02	0511068432	BLADE DISC REAR FIXER		01
03	0571010668	2" REGULATOR SPINDLE		01
04	0571010669	SLEEVE		02
05	0521062925	PRING ROD		01
06	0503031390	2.1"X10"X1/2" COMPRESSION SPRING		01
07	0551014549	32,54 SLEEVE		02
08	0521062926	COUPLING SHAFT		02
09	0503010002	1800 GREASE FITTING		02
10	0503010044	1-1/4" SELF LOCKING NUT		02
11	0521062924	RIGHT ARM THE BLADE DISC		01
12	0501069637	AXLE NUT LOCK		02
13	0503011267	BOLT 5/8 UNC X 1.1/2 C S G.5 ZN		02
14	0501017779	32 X 60 X 4.75 FLAT WASHER		02
15	0503013635	1" NUT		02
16	0521064686	RIGHT ARM OF THE BLADE DISC		01
17	0501010100	SCREW 5/8 UNC X 2 CS G.5 ZN		02
18	0503010013	5/8" NUT		02
19	0521064687	SPRING LOCKNUT		01
20	0503011445	SPRING WASHER		02
21	0501012140	FLAT WASHER		02
22	0503010027	5/8" SPRING WASHER		02

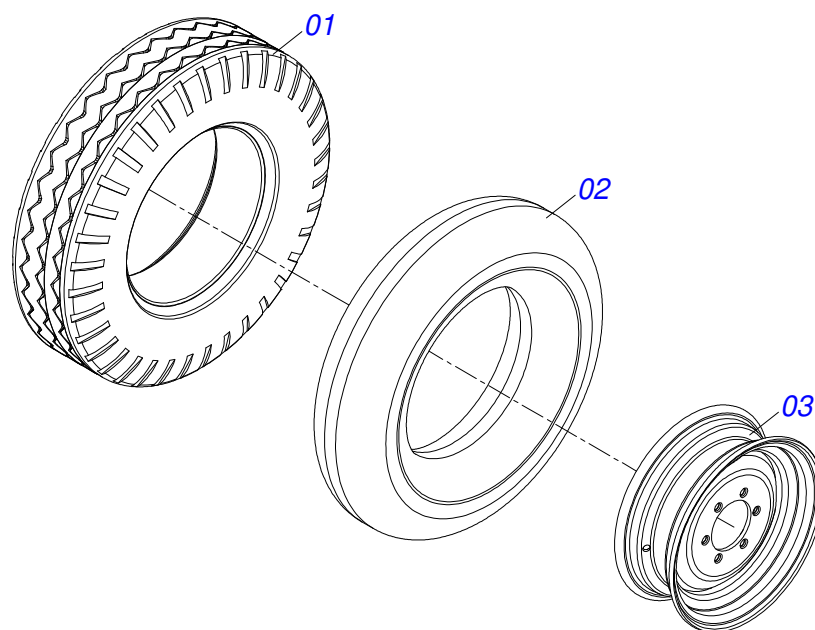


Item	Code	Description	See page	5H 7H
01	0501053834	MALE QUICK COUPLER WITH CAP - 1/2 NPT		02 02
02	0501080055	3/8" X 1000 TR-TC HOSE		01 00
02.	0501080025	TR-TC HOSE ASSY		00 01
03	0501082047	HOSE		01 00
03.	0501080402	HOSE 3/8 X 1700 TR-TC		00 01
04	0501082048	HOSE		01 00
04.	0501080479	TC-TC HOSE ASSY		00 01
05	0501080384	TR-TM HOSE ASSY		02 02
06	0501068088	OIL TUBE		01 01
07	0521045647	HYDRAULIC CYLINDER	6	01 01
08	0521045646	HYDRAULIC CYLINDER	5	01 01

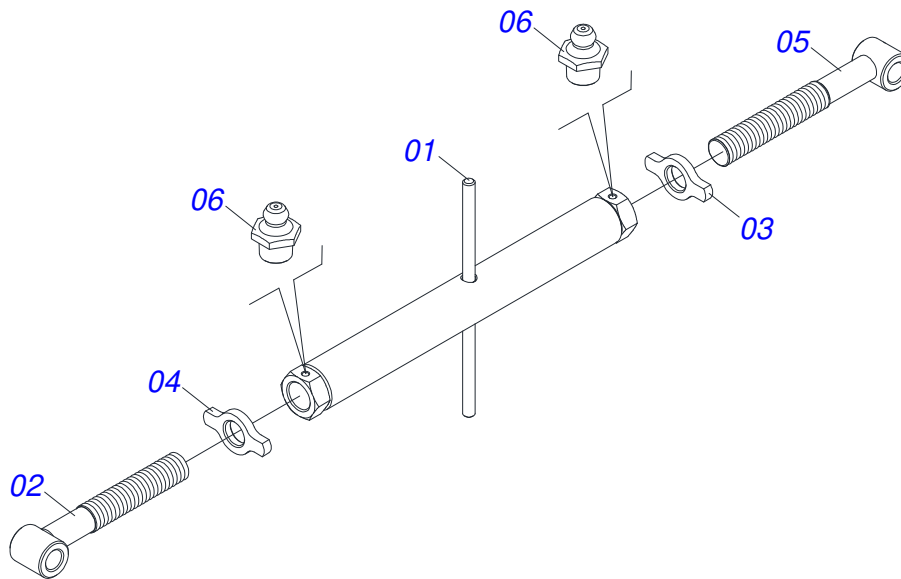




Item	Code	Description	See page	QT
01	0502010540	HOUSING DM		01
02	0503010111	30210 ROLLER BEARING		02
03	0502040218	AXLE		01
04	0503030013	4.4" X 3.5" X 0.004" JOINT		02
05	0503030684	4.4" X 3.5" X 0.004" JOINT		01
06	0502020424	HOUSING CAP		01
07	0503010134	3/8" X 1" BOLT		04
08	0503030026	SEAL LP JB-253		02
09	0502010541	SEAL RETAINER		02
10	0502010070	OUTER FLANGE		01
11	0502010071	INNER FLANGE		01
12	0503010856	OIL PLUG		01



Item	Code	Description	See page	QT
01	0503012864	TYRE		01
02	0503010033	7.50 X 16 INNER TIRE		01
03	0521062708	WHEEL 5,50 X 16 X 118 X 6F 16,50 X 152,40		01



Item	Code	Description	See page	QT
01	0501068095	850 ADJUSTMENT NUT		01
02	0501068096	RIGTH TURNBUCKLE		01
03	0541018673	COUNTERNUT		01
04	0541018672	COUNTERNUT		01
05	0501068097	LEFT TURNBUCKLE		01
06	0503010002	1800 GREASE FITTING		02





[www.marchesan.com.br](http://www.marchesan.com.br)



**Technical Publications | Elaboration and Revision**  
LORENA ROCHA ALVES