

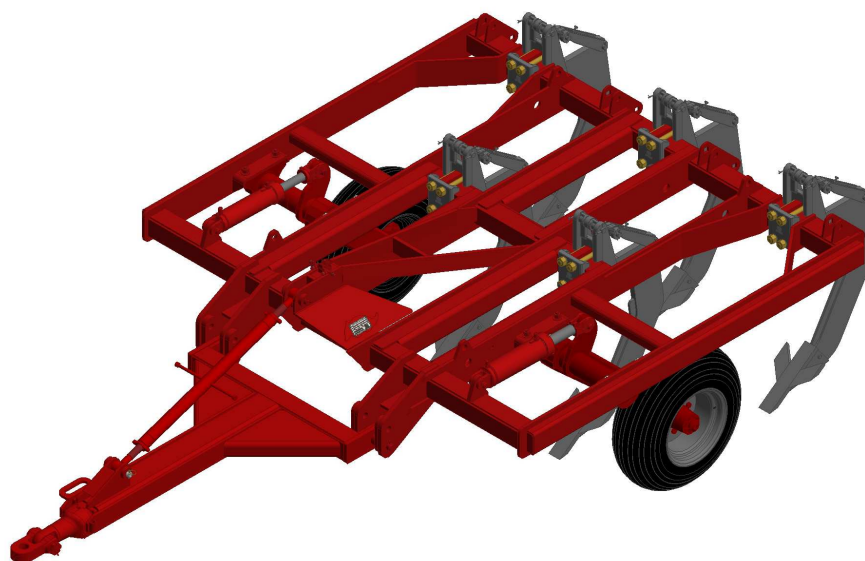
SUBSOILER PLOW

Code:

0501092722

Product:

AST/MATIC 550 5H CHAS R FISCHER



Series:

S-0203

Revision:

00

Date Revision:

MAIO/2020



PRODUCTS

Code	Description
0101170113	AST/MATIC 550 5H CHAS R FISCH S203

ATTENTION: IMPORTANT

Marchesan S.A. reserves the right to improve and / or modify the technical features of its products, without obligation to do the same with those products already sold and without prior knowledge of the dealer or the consumer.

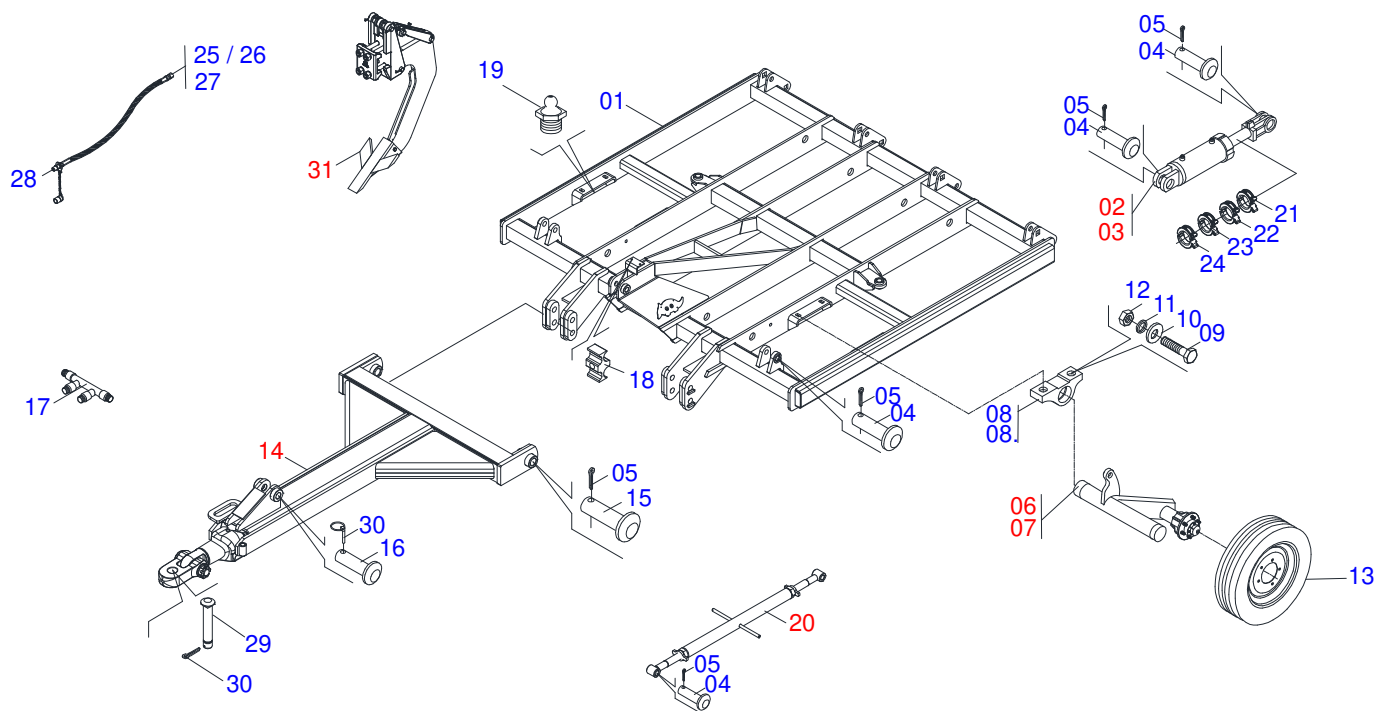


MARCHESAN

INDEX

0909098942	FRAME	1
0511041101	ASSY HEAD	2
0521045646	HYDRAULIC CYLINDER	3
0521045647	HYDRAULIC CYLINDER	4
0501054059	SUPORTE DIREITO RODADO S/PNEU	5
0501054060	SUPORTE ESQUERDO RODADO S/PNEU	6
0511045320	SHANKS SYSTEM ASSY	7
0501110563	MANCAL ARTICULAÇÃO ESQUERDA C/LUVA	8
0501110568	MANCAL ARTICULAÇÃO DIREITA C/LUVA	9
0909098945	HYDRAULIC CIRCUIT	10

FRAME



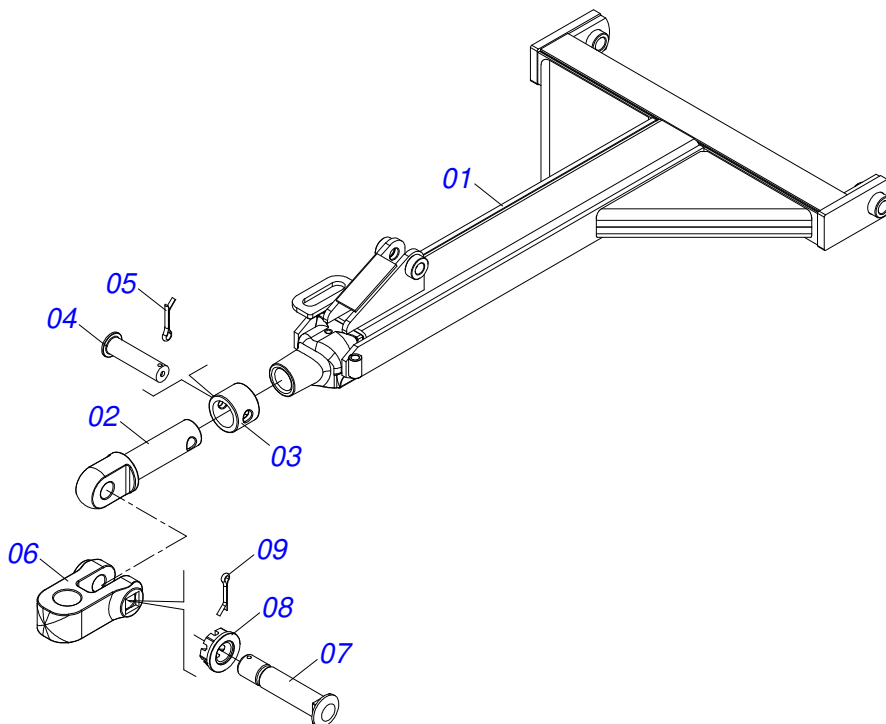
Item	Code	Description	See page	QT
01	0511063808	AST/MATIC E 550 FRAME		01
02	0521045646	HYDRAULIC CYLINDER	3	01
03	0521045647	HYDRAULIC CYLINDER	4	01
04	0521012538	1.2" X 3.5" COUPLING SHAFT		04
05	0503010523	1/4" X 2" COTTERPIN		06
06	0501054059	SUPORTE DIREITO RODADO S/PNEU	5	01
07	0501054060	SUPORTE ESQUERDO RODADO S/PNEU	6	01
08	0501110563	MANCAL ARTICULAÇÃO ESQUERDA C/LUVA	8	02
08.	0501110568	MANCAL ARTICULAÇÃO DIREITA C/LUVA	9	02
09	0503010901	3/4UNC 3.1/2 BOLT		08
10	0501010322	FLAT WASHER		08
11	0503011442	3/4" SPRING WASHER		08
12	0503010014	3/4" NUT		08
13	0503060414	WHEEL AND TIRE		02
14	0511041101	ASSY HEAD	2	01
15	0531016023	EIXO INF ENGATE AST/MATIC E 550		02
16	0531017716	AXLE TIGHTENER		02
17	0501068088	OIL TUBE		01
18	0502012702	BODY SUPPORT CLAMP		03
19	0503010002	1800 GREASE FITTING		04
20	0501054088	ESTABILIZADOR CABEÇALHO COMPLETO		01
21	0501047887	ROD STOP		02
22	0501047888	ROD STOP		02
23	0501047895	ROD STOP		08
24	0501047885	ROD STOP		06
25	0501080488	3/8" X 51" TR-TR HOSE ASSY		02
26	0501080452	3/8" X 98" TR-TR HOSE ASSY		01
27	0501080510	3/8" X 137" TR-TR HOSE ASSY		02
28	0501053834	MALE QUICK COUPLER WITH CAP - 1/2 NPT		02
29	0511814902	COUPLING SHAFT		02
30	0503010571	1/4" X 1.1/2 COTTERPIN		02



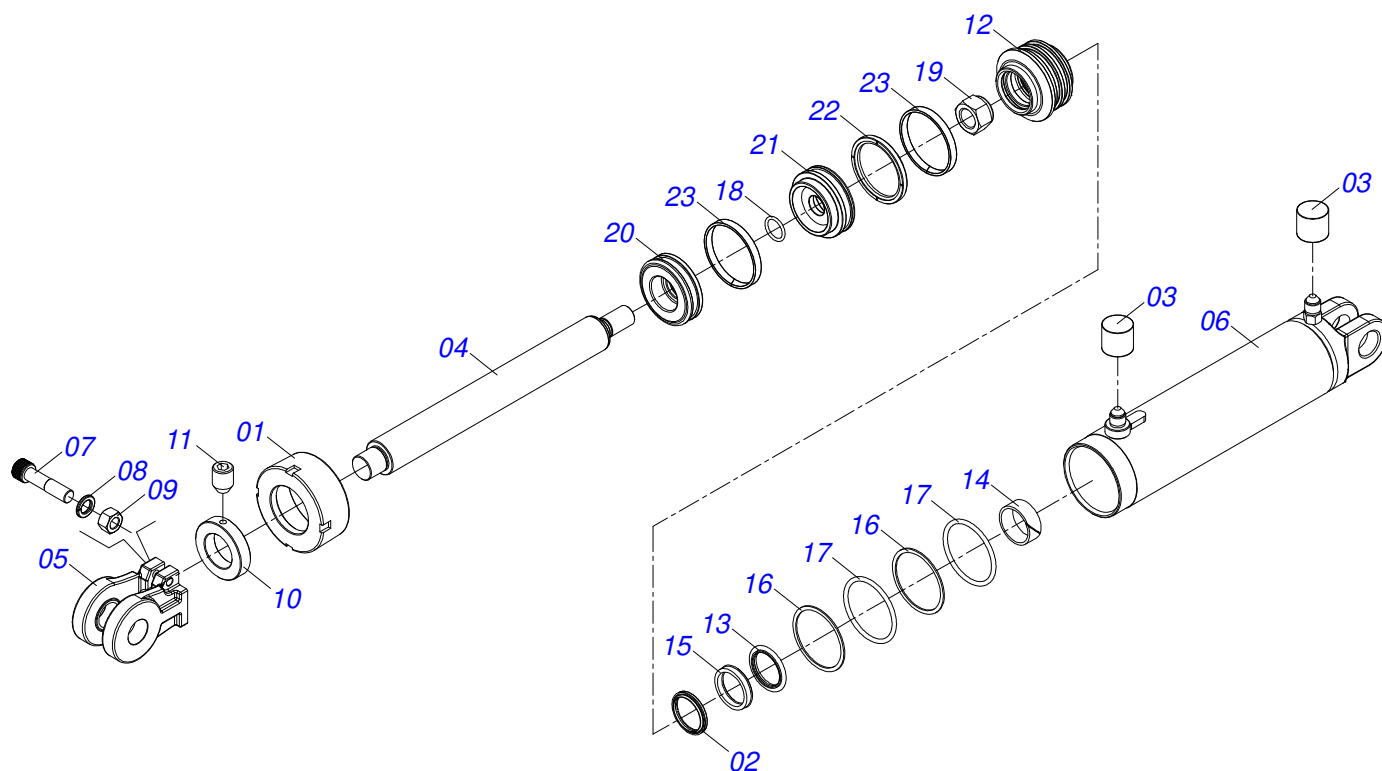
FRAME

0909098942

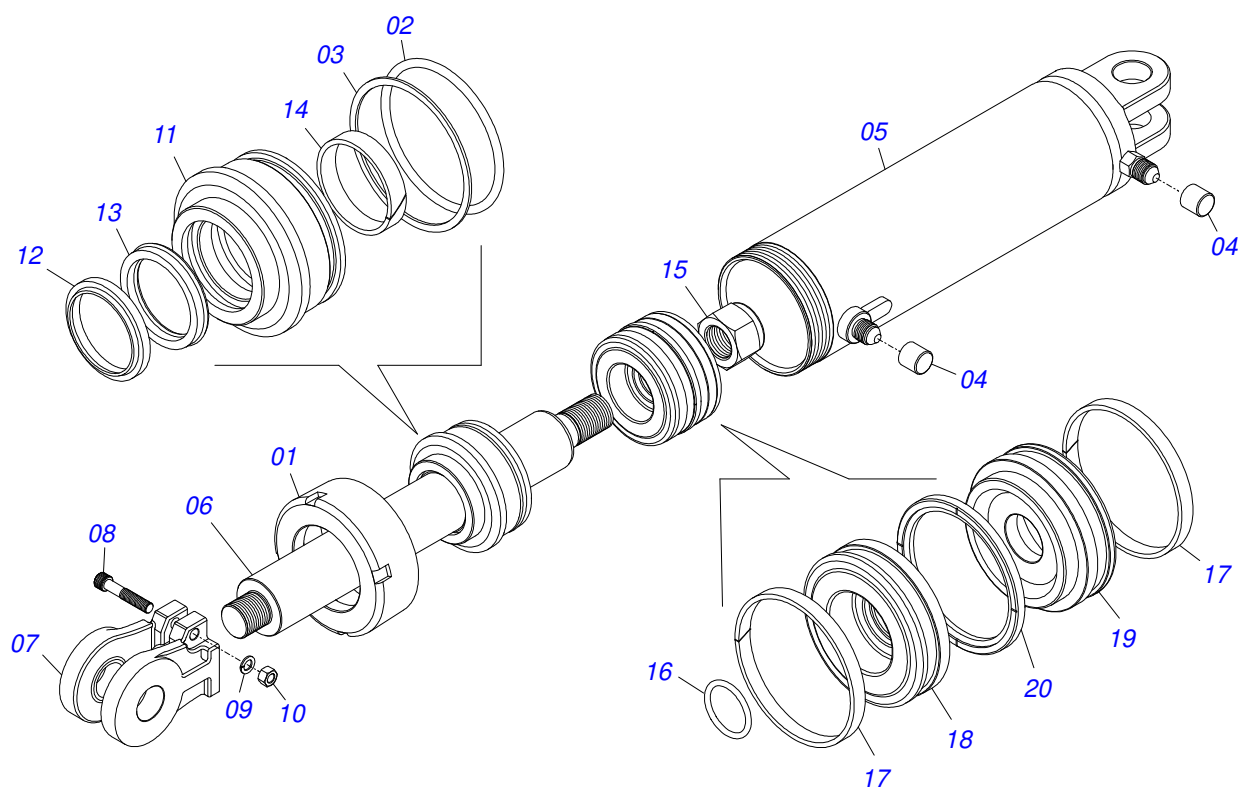
Item	Code	Description	See page	QT
31	0511045320	SHANKS SYSTEM ASSY	7	05



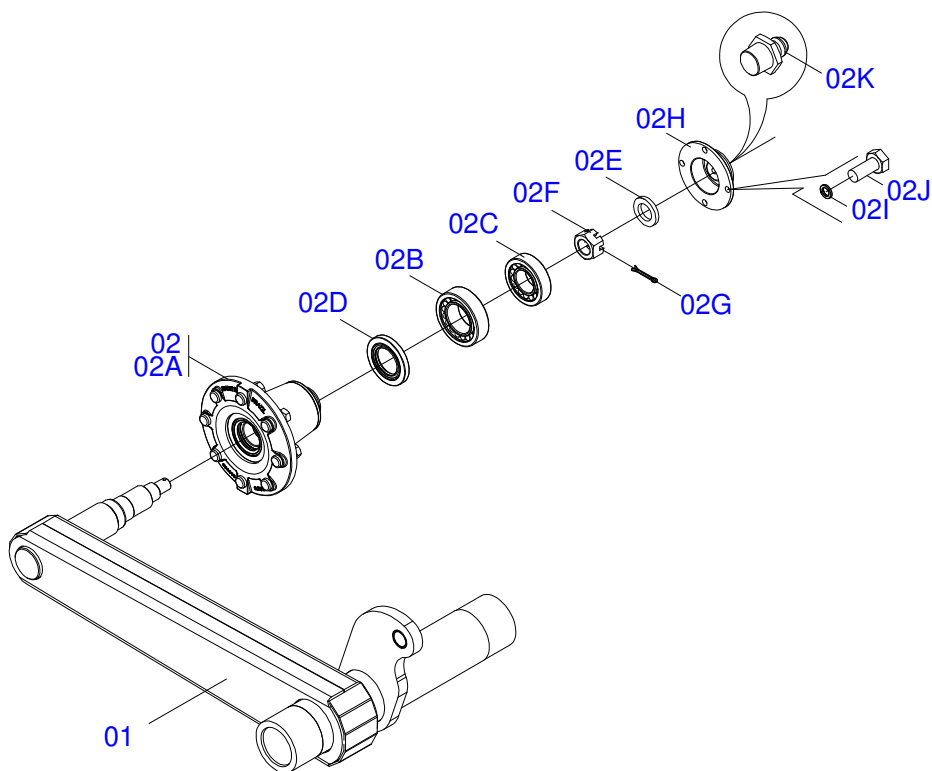
Item	Code	Description	See page	QT
01	0511063767	CABECALHO AST/MATIC 550 S-0202		01
02	1902040223	PIN HITCH		01
03	1902040327	LOCK SLEEVE		01
04	0511014902	COUPLING SHAFT		01
05	0503010571	1/4" X 1.1/2 COTTERPIN		01
06	1902040732	COUPLING		01
07	0521012545	COUPLING SHAFT		01
08	0501011301	1.1/2 UNC 6FPP 2.5/16 NUT		01
09	0503010010	1/4" X 2.1/2" COTTERPIN		01



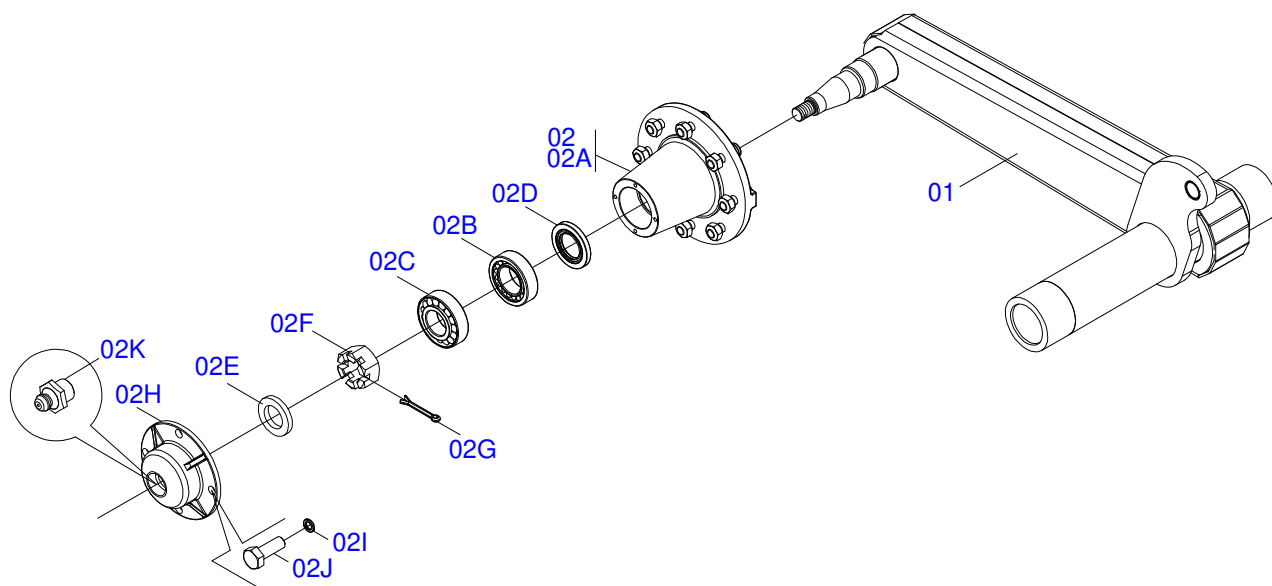
Item	Code	Description	See page	QT
01	0571019709	DETACHABLE COVER		01
02	0503010761	D-1750 SCRAPER RING		01
03	0503030385	CYLINDER PLUG N-002		02
04	0521016677	1.75" X 17.5" TURNBUCLE		01
05	0502040747	32.54 CLEVIS CLAMP		01
06	0521066182	CYLINDER CASE		01
07	0503011094	3/8" X 2" BOLT		01
08	0503011443	3/8" SPRING WASHER		01
09	0503010026	3/8" NUT		01
10	0511018115	1.8" X 0.1" 0.7" BUSHING		01
11	0503011148	3/8" X 1/2" BOLT		01
12	0571019711	RING SUPPORT		01
13	0503017936	RING		01
14	0503017938	RING GUIDE		01
15	0503017937	GASKET		01
16	0503017940	8-337 BACK-UP RING		02
17	0503017939	2-337 N 3006-9B O' RING		02
18	0503010042	2-214 N 3006-9B O'RING		01
19	0503010063	1" SELF-ALIGNING NUT		01
20	0581012598	PISTON		01
21	0581012597	PISTON		01
22	0503018650	SEALING		01
23	0503017883	RING GUIDE		02



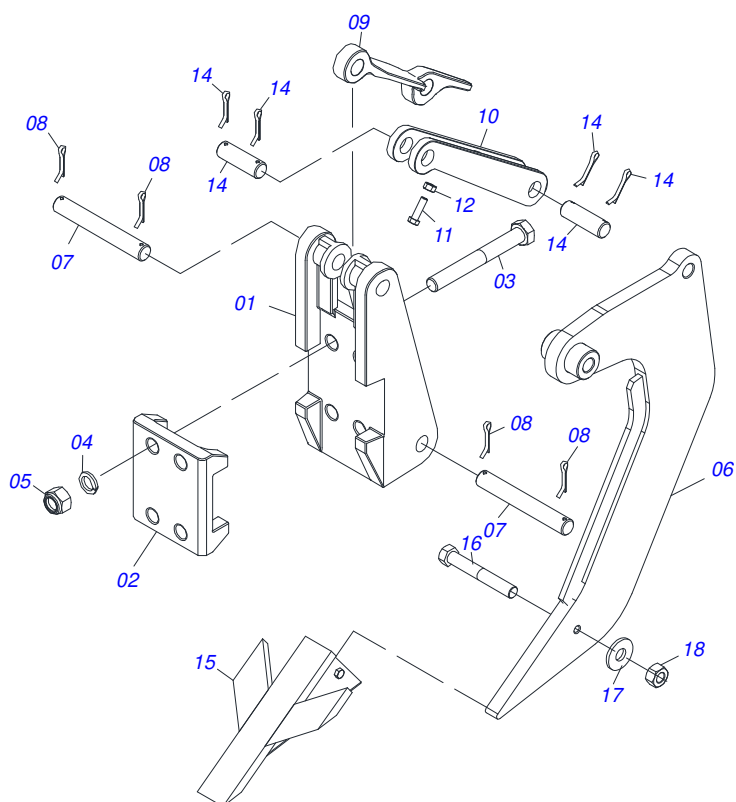
Item	Code	Description	See page	QT
01	0502010017	4" HEAD		01
02	0503010338	2-342 N 3006-9B O'RING		01
03	0503011061	8-342 BACK-UP RING		01
04	0503030385	CYLINDER PLUG N-002		02
05	0521066183	CYLINDER CASE		01
06	0531018706	2.1" X 17" EXTENDING BODY		01
07	0502040747	32.54 CLEVIS CLAMP		01
08	0503011094	3/8" X 2" BOLT		01
09	0503011443	3/8" SPRING WASHER		01
10	0503010026	3/8" NUT		01
11	0502011250	RING OF SUPPORT		01
12	0503015715	SCRAPER SEALING		01
13	0503015642	U-CUP SEALING		01
14	0503010973	W2-2500-500 PK O'RING G.E		01
15	0503010817	1.1/4" SELF LOCKING NUT		01
16	0503010345	2-218 N 3006-9B O'RING		01
17	0503017889	RING GUIDE		02
18	0581012601	PISTON		01
19	0581012602	PISTON		01
20	0503018651	SEALING		01



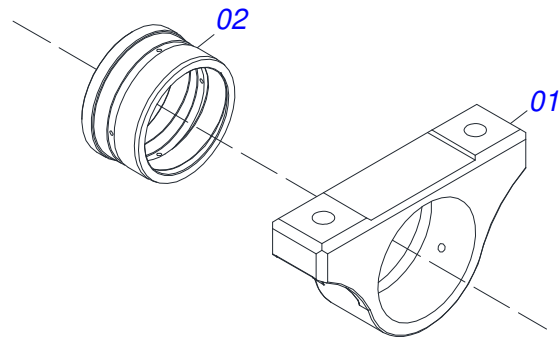
Item	Code	Description	See page	QT
01	0511069458	SOPORTE DIREITO RODADO		01
02	0501058124	RODADO S/PNEU AST/MATIC E 550		01
02A	0501110738	CARRYING WHEEL HUB		01
02B	0503010008	ROLAMENTO 3780/37203		01
02C	0503011156	ROLAMENTO 2780/2720 IMP		01
02D	0503013314	RETENTOR 5166-GB 63,5 X 110 X 13 ARCA		01
02E	0511012492	ARRUELA LISA 28 X 46 X 6,30		01
02F	0503030009	1" CASTLE NUT		01
02G	0503010018	5/32 X 1-1/2 COTTERPIN		01
02H	0502020591	PROTECCION COVER		01
02I	0503011444	SPRING WASHER		04
02J	0503010358	5/16" X 5/8" BOLT		04
02K	0503010002	1800 GREASE FITTING		01



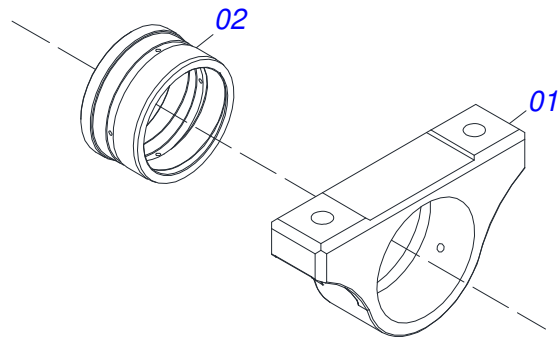
Item	Code	Description	See page	QT
01	0511069459	SUPORTE ESQUERDO RODADO		01
02	0501058124	RODADO S/PNEU AST/MATIC E 550		01
02A	0501110738	CARRYING WHEEL HUB		01
02B	0503010008	ROLAMENTO 3780/37203		01
02C	0503011156	ROLAMENTO 2780/2720 IMP		01
02D	0503013314	RETENTOR 5166-GB 63,5 X 110 X 13 ARCA		01
02E	0511012492	ARRUELA LISA 28 X 46 X 6,30		01
02F	0503030009	1" CASTLE NUT		01
02G	0503010018	5/32 X 1-1/2 COTTERPIN		01
02H	0502020591	PROTECCION COVER		01
02I	0503011444	SPRING WASHER		04
02J	0503010358	5/16" X 5/8" BOLT		04
02K	0503010002	1800 GREASE FITTING		01



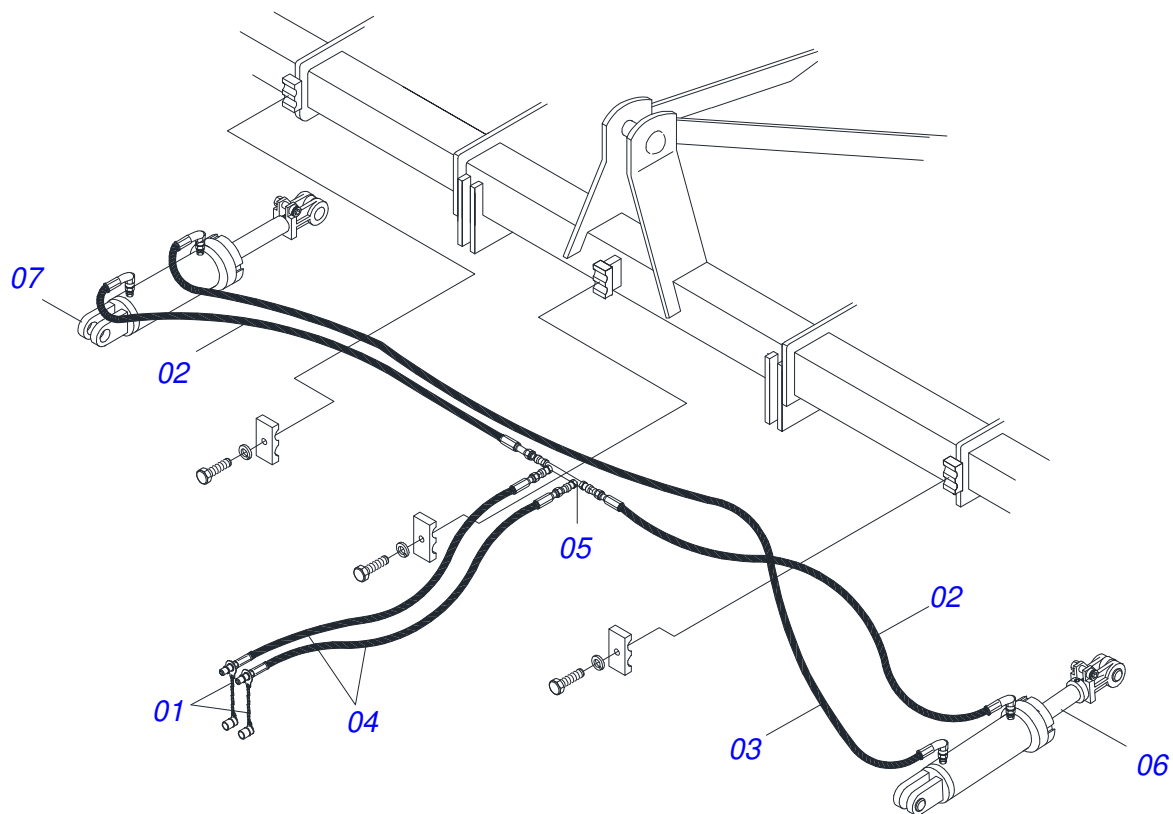
Item	Code	Description	See page	QT
001	0502011551	REAR FIXER		01
002	0502011552	FRONT FIXER		01
003	0511019527	1" X 8" BOLT		04
004	0503011438	SPRING WASHER		04
005	0503010340	1" NUT		04
006	0501069384	SUBSOILER ARM		01
007	0521013024	28,50 X 184 AXLE		02
008	0503010523	1/4" X 2" COTTERPIN		04
009	0521014356	AUTOMATIC RESET		01
010	0502011483	SPRING BACKREST SUBSOILER		01
011	0503011135	7/16" X 1-1/2" BOLT		01
012	0503010244	7/16" NUT		02
013	0521013025	AXLE		02
014	0503010523	1/4" X 2" COTTERPIN		02
015	0501069385	SUBSOILER TIP CUERPO		01
016	0503011172	BOLT 1/2 UNC X 2.1/2 C S G.5 ZN		01
017	0503010019	1/2" SPRING WASHER		01
018	0503010060	1/2" NUT		01



Item	Code	Description	See page	QT
001	0502012273	PIVOT BEARING		01
002	0551018339	SLEEVE NYLON 114,40 X 140 X 76		01



Item	Code	Description	See page	QT
001	0502012509	RIGHT PIVOT BEARING		01
002	0551018339	SLEEVE NYLON 114,40 X 140 X 76		01



Item	Code	Description	See page	QT
01	0501053834	MALE QUICK COUPLER WITH CAP - 1/2 NPT		02
02	0501080488	3/8" X 51" TR-TR HOSE ASSY		02
03	0501080452	3/8" X 98" TR-TR HOSE ASSY		01
04	0501080510	3/8" X 137" TR-TR HOSE ASSY		02
05	0501068088	OIL TUBE		01
06	0521045647	HYDRAULIC CYLINDER	4	01
07	0521045646	HYDRAULIC CYLINDER	3	01



www.marchesan.com.br



Technical Publications | Elaboration and Revision
LORENA ROCHA ALVES