

PARTS CATALOGUE



SUBSOILER PLOW

Code:

0501092718

Product:

AST/MATIC 450 13H DC RD P5/8



Series:

S-0400

Revision:

00

Date Revision:

MAIO/2020



PRODUCTS

Code	Description
0101170110	AST/MATIC 450 13H DC RD P5/8 S0400

ATTENTION: IMPORTANT

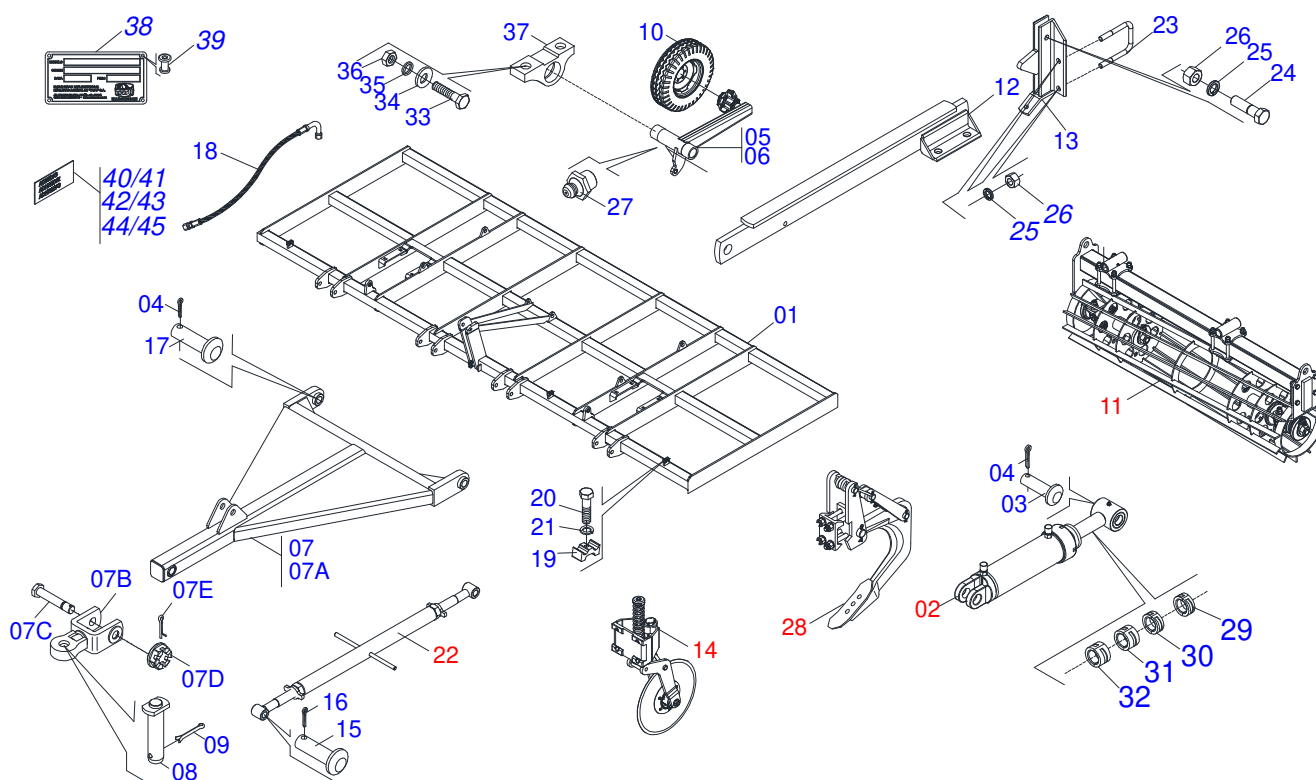
Marchesan S.A. reserves the right to improve and / or modify the technical features of its products, without obligation to do the same with those products already sold and without prior knowledge of the dealer or the consumer.



INDEX

0909098938	FRAME	1
0521045631	HYDRAULIC CYLINDER	2
0521045632	HYDRAULIC CYLINDER	3
0501051008	LEFT CARRYING-WHEELS	4
0501051007	RIGHT CARRYING-WHEELS	5
0511040026	DRAWBAR ASSY	6
0503062010	750 X 16-12L ASSY WHEEL AND TIRE	7
0501055243	ARM ROLLE ASSY	8
0501055244	BOX BREAK ROLLER	9
0501053706	SUPPORT WITH BLADE DISC	10
0511043789	SHANKS SYSTEM ASSY	11
0501052930	ESTABILIZER DRAWBAR ASSY	12
0501110563	MANCAL ARTICULAÇÃO ESQUERDA C/LUVA	13
0501110568	MANCAL ARTICULAÇÃO DIREITA C/LUVA	14
0909098912	HYDRAULIC CIRCUIT	15

FRAME



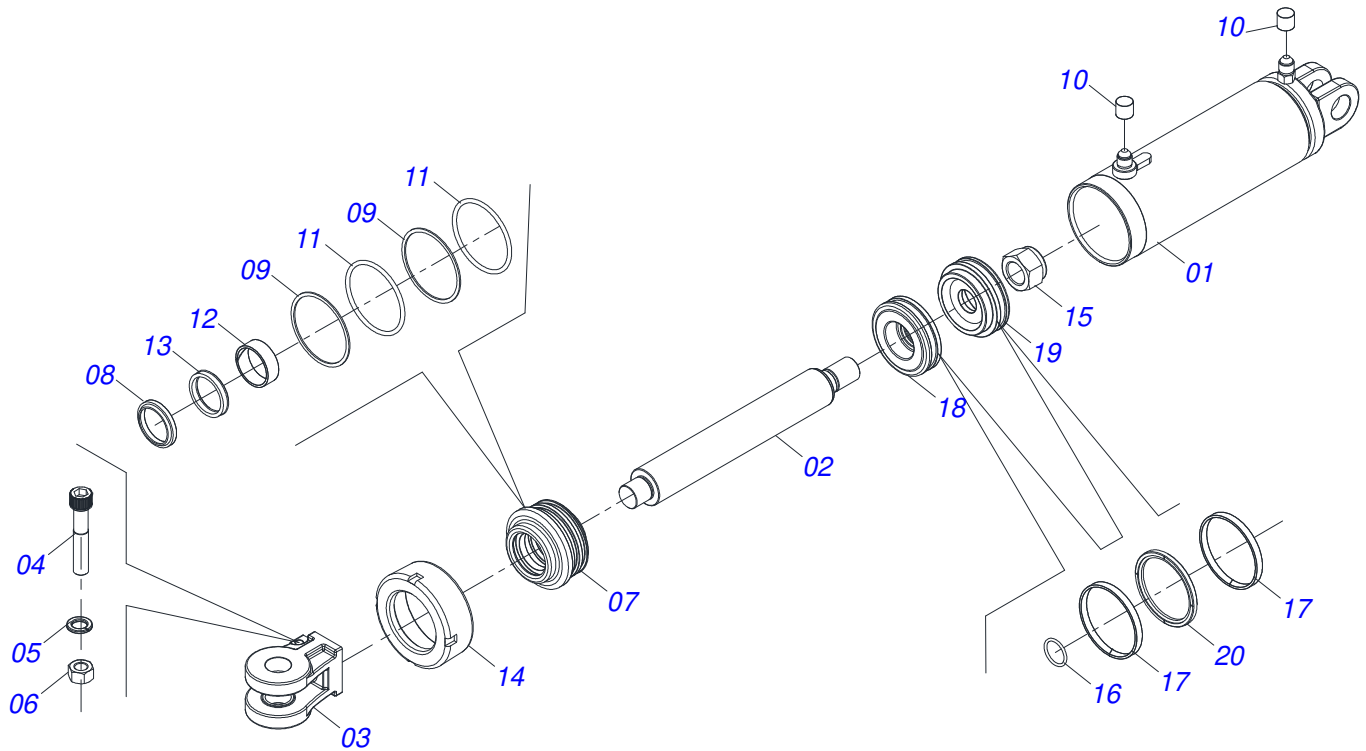
Item	Code	Description	See page	QT
01	0511061907	FRAME		01
02	0521045631	HYDRAULIC CYLINDER	2	01
02.	0521045632	HYDRAULIC CYLINDER	3	01
03	0521012538	1.2" X 3.5" COUPLING SHAFT		04
04	0503010523	1/4" X 2" COTTERPIN		08
05	0501051008	LEFT CARRYING-WHEELS	4	01
06	0501051007	RIGHT CARRYING-WHEELS	5	01
07	0511040026	DRAWBAR ASSY	6	01
07A	0511062392	DRAWBAR		01
07B	0501069684	TRACTOR HITCH		01
07C	0501017291	1-1/2" X 8.1" BOLT		01
07D	0501011301	1.1/2 UNC 6FPP 2.5/16 NUT		01
07E	0503010010	1/4" X 2.1/2" COTTERPIN		01
08	0521812538	COUPLING SHAFT		01
09	0503010523	1/4" X 2" COTTERPIN		01
10	0503062010	750 X 16-12L ASSY WHEEL AND TIRE	7	02
11	0521044683	BREAKER ROLLER ARM ASSY		03
12	0511065378	BREAK ROLLER ARM		06
13	0501068437	BREAK ROLLER SUPPORT FIXATION		06
14	0501053706	SUPPORT WITH BLADE DISC	10	13
15	0511011887	COUPLING SHAFT		02
16	0503010571	1/4" X 1.1/2 COTTERPIN		08
17	0521012536	COUPLING SHAFT		02
18	0909098912	HYDRAULIC CIRCUIT	15	01
19	0502012702	BODY SUPPORT CLAMP		03
20	0503012555	7/16" X 2" BOLT		03
21	0503010180	7/16" SPRING WASHER		03
22	0501052930	ESTABILIZER DRAWBAR ASSY	12	01
23	0521014574	3/4" FASTENE		38
24	0501010827	3/4" X 2-3/4" BOLT		06
25	0503010023	3/4" SPRING WASHER		94



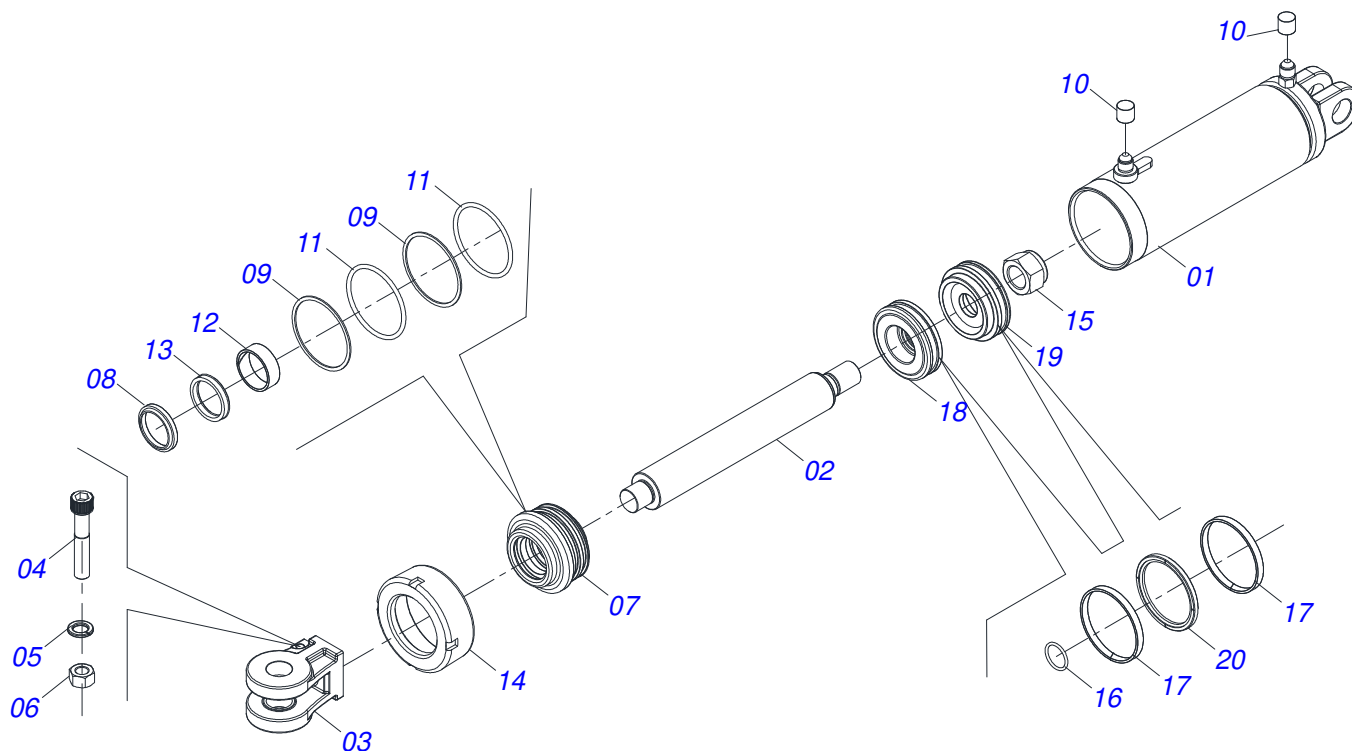
FRAME

0909098938

Item	Code	Description	See page	QT
26	0503010014	3/4" NUT		94
27	0503010002	1800 GREASE FITTING		04
28	0511043789	SHANKS SYSTEM ASSY	11	13
29	0501047895	ROD STOP		01
30	0501047885	ROD STOP		01
31	0501047886	ROD STOP		01
32	0501047887	ROD STOP		01
33	0503010901	3/4UNC 3.1/2 BOLT		08
34	0501010322	FLAT WASHER		08
35	0503011442	3/4" SPRING WASHER		40
36	0503010014	3/4" NUT		40
37	0501110563	MANCAL ARTICULAÇÃO ESQUERDA C/LUVA	13	02
37.	0501110568	MANCAL ARTICULAÇÃO DIREITA C/LUVA	14	02
38	0503034003	SERIAL NUMBER TAG 61 X 118		01
39	0503010001	3.2 X 5.5 RIVET		04
40	0503031087	ADHESIVE LABEL		01
41	0503031428	READ MANUAL DECAL		01
42	0503031827	LUBRICATE AND RETIGHTEN DAILY DECAL		01
43	0503031803	IMPORTANT ADHESIVE STICKER		01
44	0503033795	ADHESIVE LABEL		02
45	0503033794	ADHESIVE		02

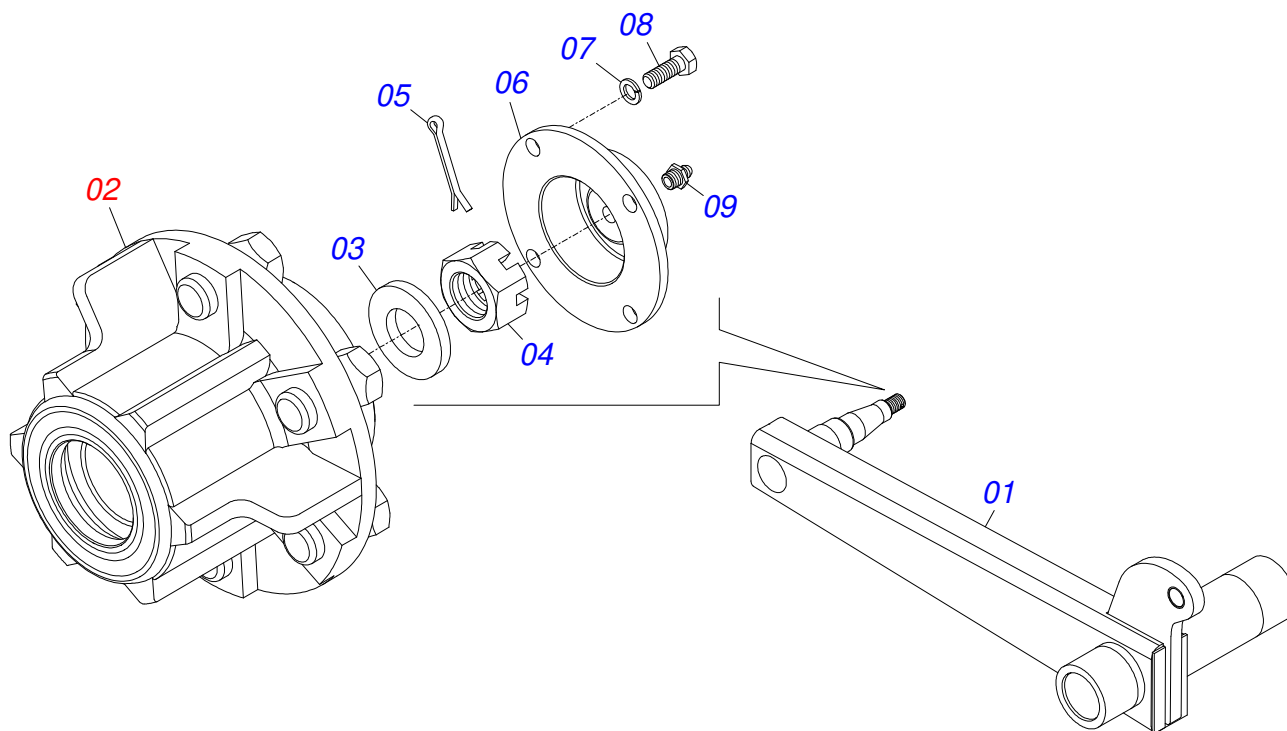


Item	Code	Description	See page	QT
01	0521066160	CYLINDER CASE		01
02	0571019558	HYDRAULIC CYLINDER TURNBUCKLE		01
03	0502040747	32.54 CLEVIS CLAMP		01
04	0503011094	3/8" X 2" BOLT		01
05	0503011443	3/8" SPRING WASHER		01
06	0503010026	3/8" NUT		01
07	0502011220	2" X 4.5" RING SUPPORT		01
08	0503015636	SCRAPER SEAL		01
09	0503011893	BACK-UP RING, 8-346		01
10	0503030385	CYLINDER PLUG N-002		02
11	0503011892	O' RING, 2-346 N 3006-9B		01
12	0503015635	U-CUP SEAL		01
13	0503015634	RING SLYDRING		01
14	0502011222	0.56" END CAP		01
15	0503010817	1.1/4" SELF LOCKING NUT		01
16	0503010345	2-218 N 3006-9B O'RING		01
17	0503017881	RING GUIDE		02
18	0581012603	PISTON 114.30 BP		01
19	0581012604	PISTON 114.30 BP		01
20	0503018652	SEAL		01

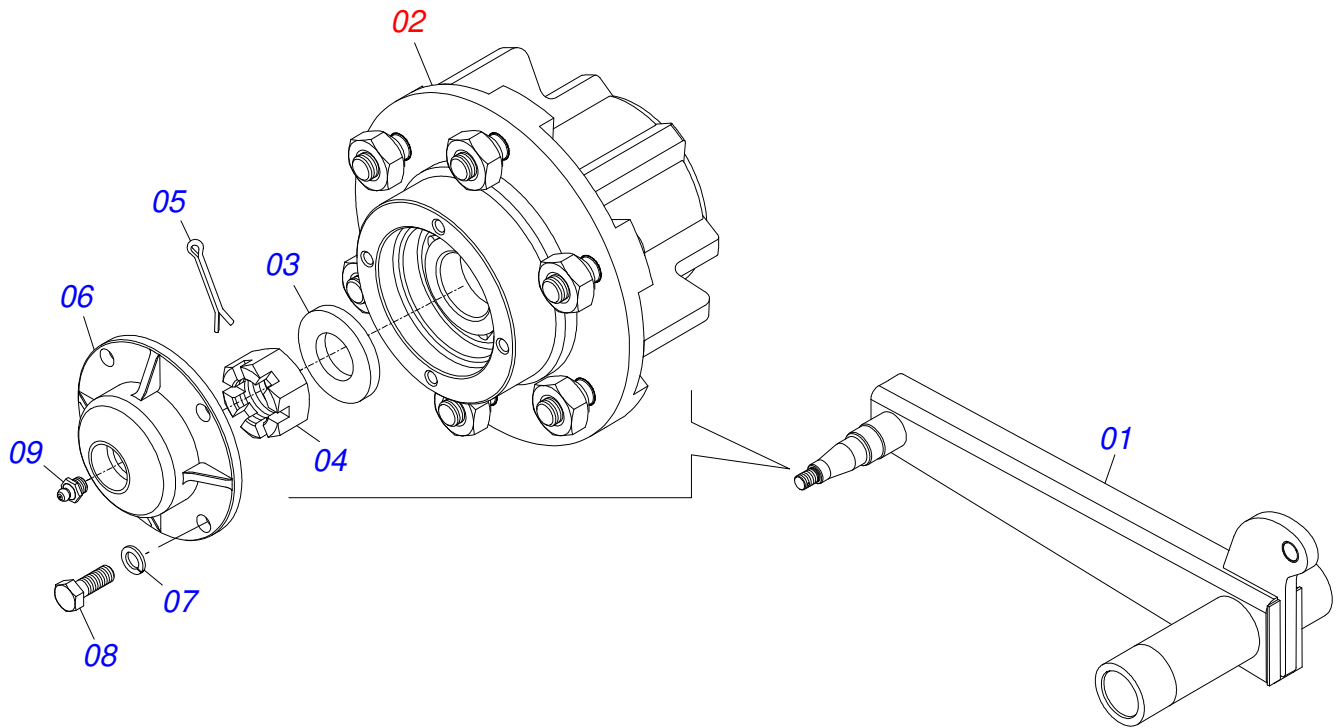


Item	Code	Description	See page	QT
01	0521066159	CYLINDER CASE		01
02	0571019558	HYDRAULIC CYLINDER TURNBUCKLE		01
03	0502040747	32.54 CLEVIS CLAMP		01
04	0503011094	3/8" X 2" BOLT		01
05	0503011443	3/8" SPRING WASHER		01
06	0503010026	3/8" NUT		01
07	0581010678	50,80 X 101 RING SUPPORT		01
08	0503015636	SCRAPER SEAL		01
09	0503011061	8-342 BACK-UP RING		02
10	0503030385	CYLINDER PLUG N-002		02
11	0503010338	2-342 N 3006-9B O'RING		02
12	0503018025	RING GUIDE		01
13	0503018026	1870-2000-375 B GASKET		01
14	0502012822	101.60 END CAP		01
15	0503010817	1.1/4" SELF LOCKING NUT		01
16	0503010345	2-218 N 3006-9B O'RING		01
17	0503017889	RING GUIDE		02
18	0581012600	PISTON		01
19	0581012599	PISTON		01
20	0503018651	SEALING		01

LEFT CARRYING-WHEELS

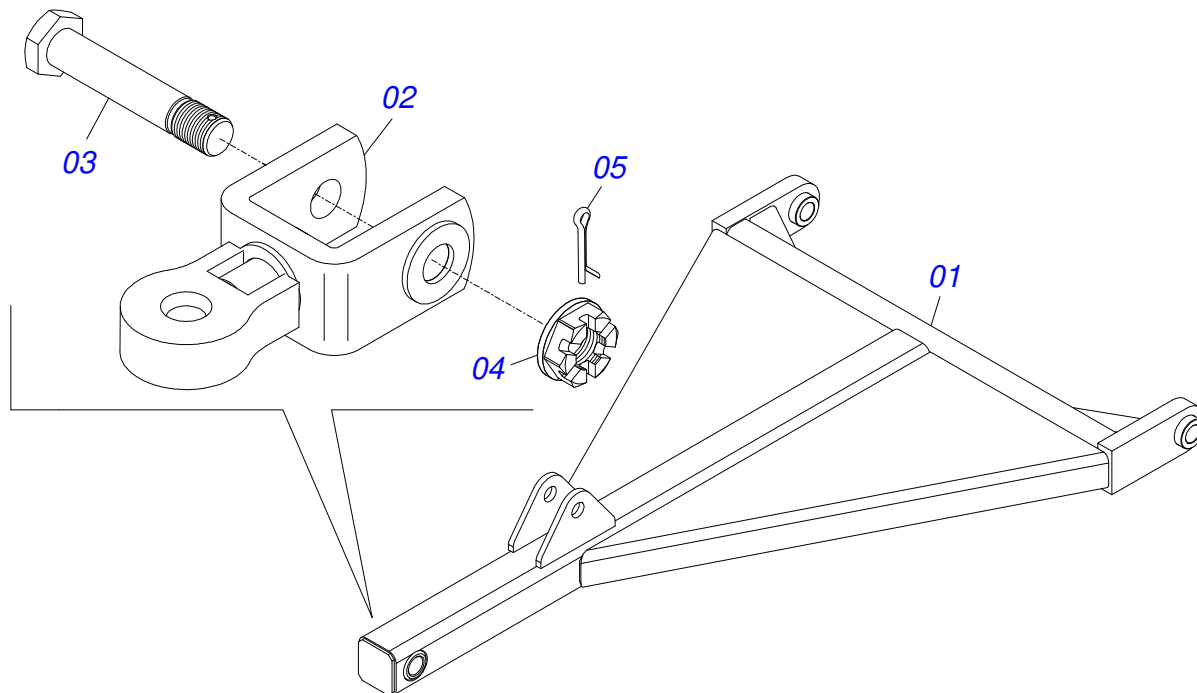


Item	Code	Description	See page	QT
01	0501068417	LEFT CARRYING-WHEELS		01
02	0501051142	CARRYING WHEEL HUB		01
03	0501016545	FLAT WASHER		01
04	0503030009	1" CASTLE NUT		01
05	0503010018	5/32 X 1-1/2 COTTERPIN		01
06	0502020591	PROTECCION COVER		01
07	0503011444	SPRING WASHER		04
08	0503010358	5/16" X 5/8" BOLT		04
09	0503010002	1800 GREASE FITTING		01

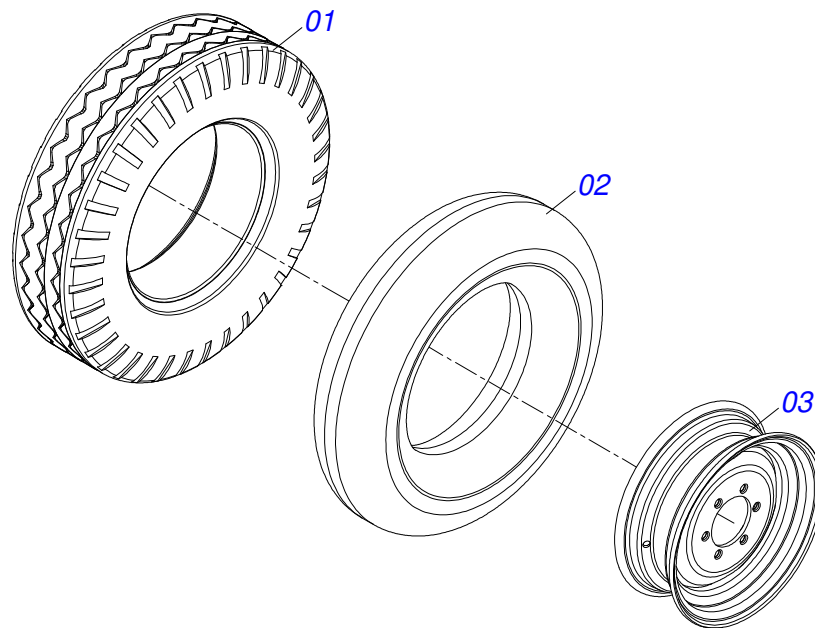


Item	Code	Description	See page	QT
01	0501068416	RIGHT CARRYING-WHEELS		01
02	0501051142	CARRYING WHEEL HUB		01
03	0501016545	FLAT WASHER		01
04	0503030009	1" CASTLE NUT		01
05	0503010018	5/32 X 1-1/2 COTTERPIN		01
06	0502020591	PROTECCION COVER		01
07	0503011444	SPRING WASHER		04
08	0503010358	5/16" X 5/8" BOLT		04
09	0503010002	1800 GREASE FITTING		01

DRAWBAR ASSY

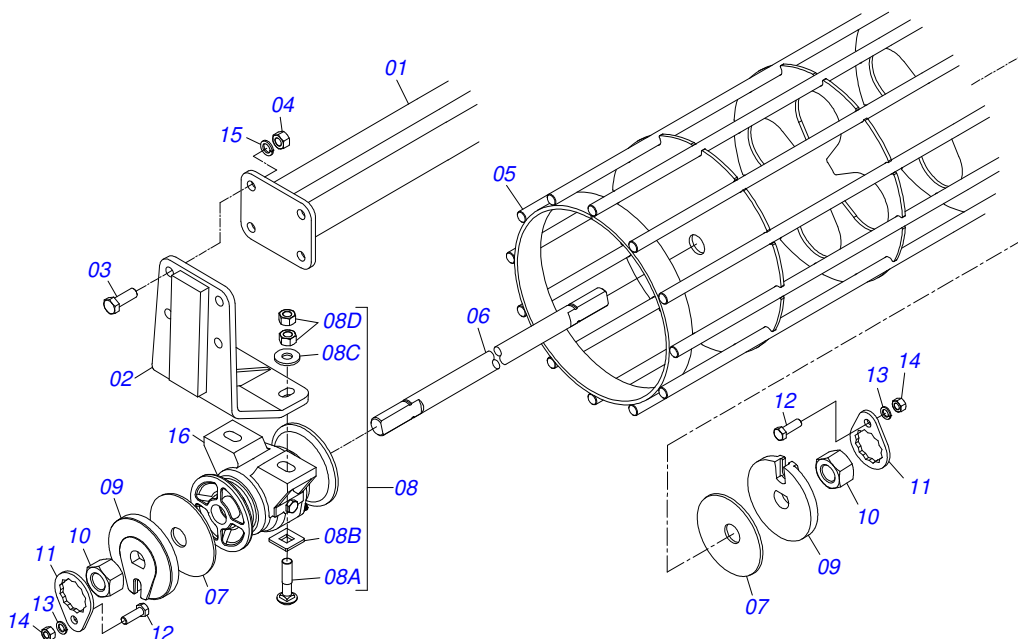


Item	Code	Description	See page	QT
01	0511062392	DRAWBAR		01
02	0501069684	TRACTOR HITCH		01
03	0501017291	1-1/2" X 8.1" BOLT		01
04	0501011301	1.1/2 UNC 6FPP 2.5/16 NUT		01
05	0503010010	1/4" X 2.1/2" COTTERPIN		01

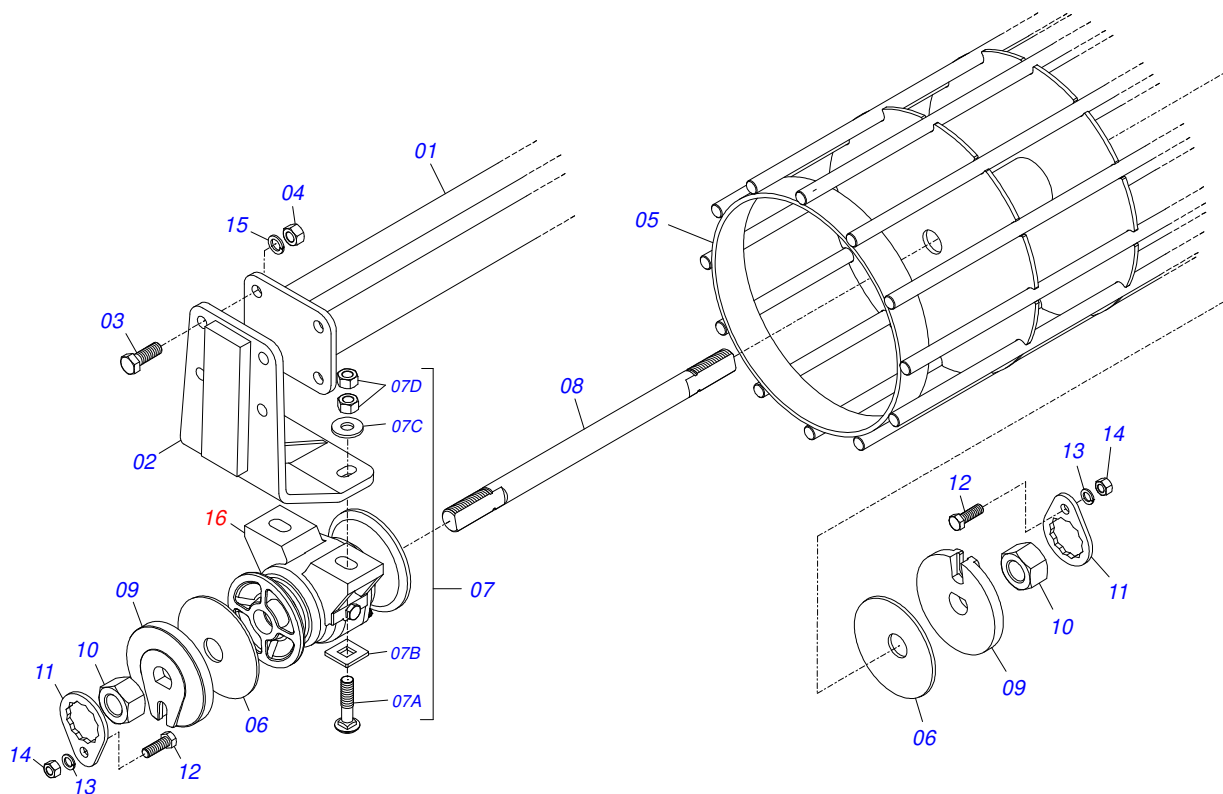


Item	Code	Description	See page	QT
01	0503012864	TYRE		01
02	0503010033	7.50 X 16 INNER TIRE		01
03	0521062708	WHEEL 5,50 X 16 X 118 X 6F 16,50 X 152,40		01

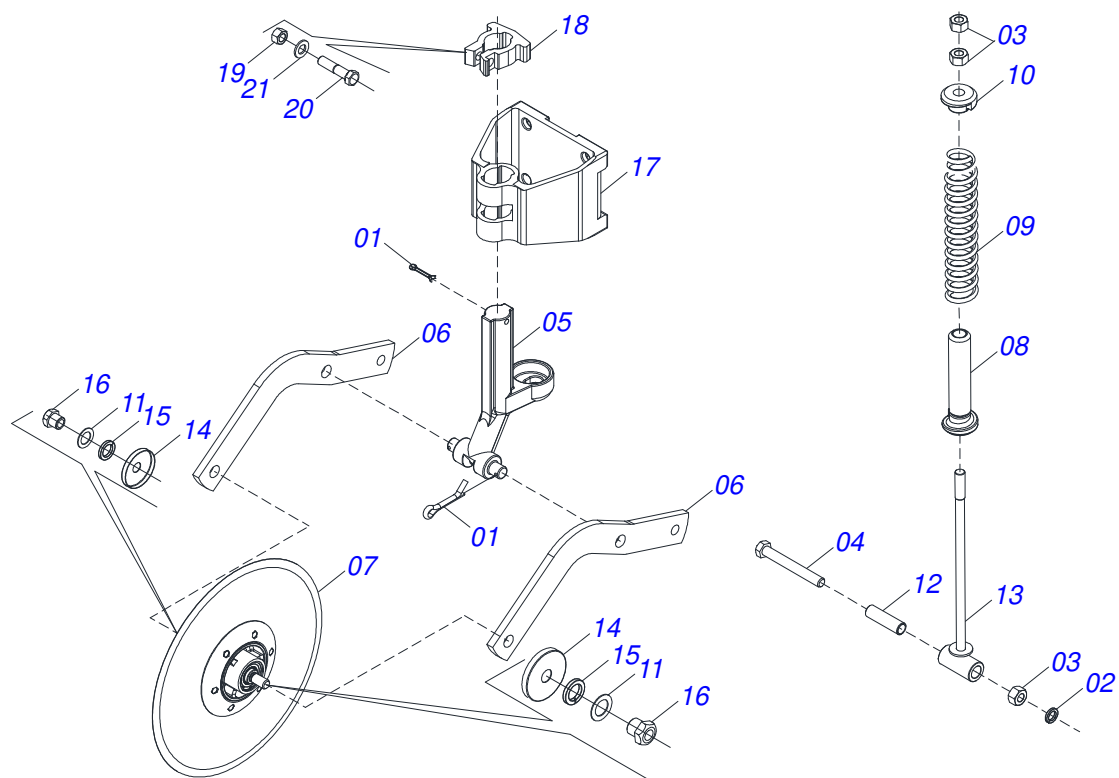
ARM ROLLE ASSY



Item	Code	Description	See page	QT
01	0511065379	2129 BREAK ROLLER SUPPORT		01
02	0511069433	BREAK ROLLER BRACKET		01
03	0503010232	5/8" X 1.3/4" BOLT		04
04	0503010013	5/8" NUT		04
05	0511065382	2108 BREAK ROLLER		01
06	0501013310	1-1/4 X 2150 AXLE		01
07	0531018575	ARRUELA CONCAVA 33,50X 140X 4,75		02
08	0501058802	5/8 UNC X 2.3/4 BOLT ASSY		04
08A	0503015154	5/8" X 2.3/4" BOLT		01
08B	0501010947	5/8 NUT LOCK		01
08C	0503010013	5/8" NUT		02
08D	0501012140	FLAT WASHER		01
09	0502010835	1-1/4" EXTERNAL AXLE WASHER		02
10	0501010087	1.1/4" NUT		02
11	0501010455	1.1/4" NUT LOCK		02
12	0501010161	1/2" X 1.1/4" BOLT		02
13	0503011440	SPRING WASHER		02
14	0503010060	1/2" NUT		02
15	0503011445	SPRING WASHER		04
16	0501046922	7.5" X 1-1/4" OIL BATH BEARING		02

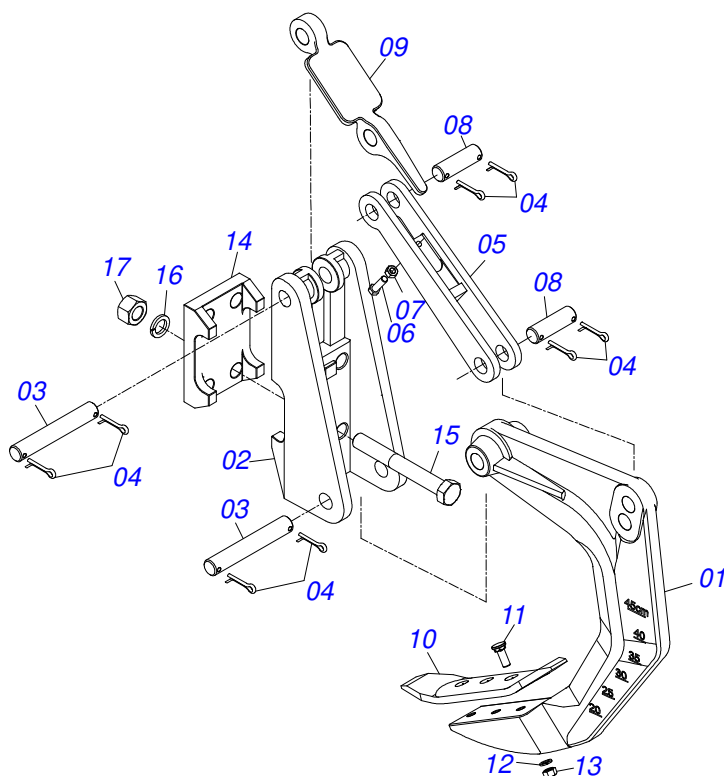


Item	Code	Description	See page	QT
01	0511065380	1329 BREAK ROLLER SUPPORT		01
02	0511069433	BREAK ROLLER BRACKET		01
03	0503010232	5/8" X 1.3/4" BOLT		04
04	0503010013	5/8" NUT		04
05	0511065383	BREAK ROLLER 1310		01
06	0531018575	ARRUELA CONCAVA 33,50X 140X 4,75		02
07	0501058802	5/8 UNC X 2.3/4 BOLT ASSY		04
07A	0503015154	5/8" X 2.3/4" BOLT		01
07B	0501010947	5/8 NUT LOCK		01
07C	0503010013	5/8" NUT		02
07D	0501012140	FLAT WASHER		01
08	0541011902	1.1/4 X 1355 AXLE		01
09	0502010835	1-1/4" EXTERNAL AXLE WASHER		02
10	0501010087	1.1/4" NUT		02
11	0501010455	1.1/4" NUT LOCK		02
12	0501010161	1/2" X 1.1/4" BOLT		02
13	0503011440	SPRING WASHER		02
14	0503010060	1/2" NUT		02
15	0503011445	SPRING WASHER		04
16	0501046922	7.5" X 1-1/4" OIL BATH BEARING		02

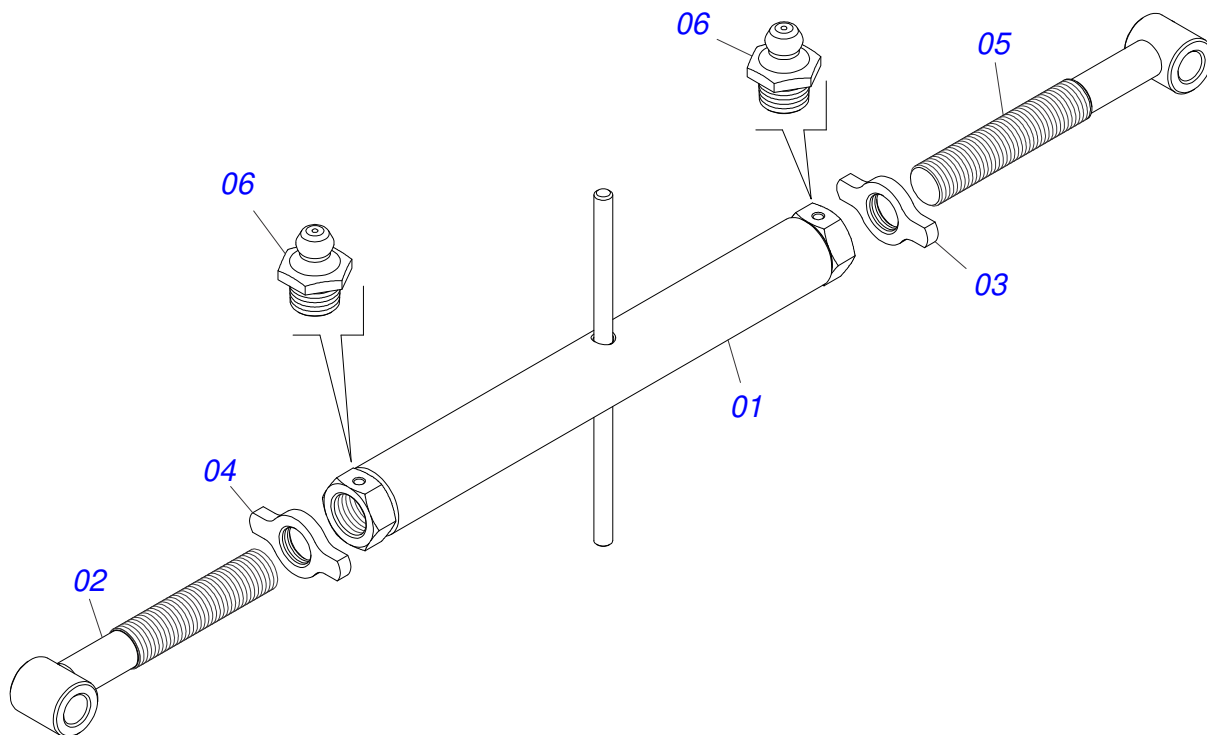


Item	Code	Description	See page	QT
01	0503010571	1/4" X 1.1/2 COTTERPIN		02
02	0503011442	3/4" SPRING WASHER		01
03	0503010014	3/4" NUT		03
04	0503011198	C3/4" X 6" SCREW		01
05	0502012025	BLADE DISC SUPPORT		01
06	0521019800	BLADE DISC BREAK		02
07	0501052139	18 BLADE DISC WITH FLAT PLAN DISC		01
08	0511061576	SPRING GUIDE		01
09	0503031679	COMPRES SPRING		01
10	1902020393	SPRING UPPER SUPPORT		01
11	0511015346	FLAT WASHER		02
12	0521010452	SLEEVE		01
13	0511060915	ROD SPRING		01
14	0521015376	DUST CLOAK		02
15	0503011438	SPRING WASHER		02
16	0521013510	3/4" NUT		02
17	0502012026	BLADE DISC FIXER SUPPORT		01
18	1902012024	FIXER SUPPORT BUSHING		01
19	0503010129	5/8" NUT		01
20	0503013184	5/8" X 2-3/4" BOLT G.8		01
21	0501011299	FLAT WASHER		01

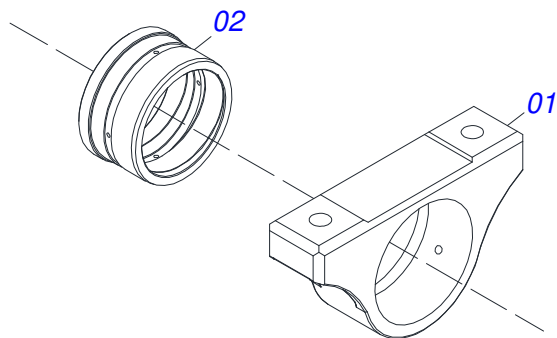
SHANKS SYSTEM ASSY



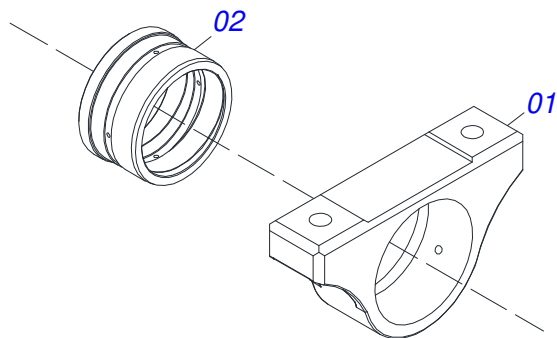
Item	Code	Description	See page	QT
01	0502011264	ARM AST/MATIC		01
02	0502011165	REAR FIXER		01
03	0511015688	1.1" X 7.1" COUPLING SHAFT		02
04	0503010571	1/4" X 1.1/2" COTTERPIN		08
05	0502011164	SUPPORT SPRING		01
06	0503811135	BOLT		01
07	0503010244	7/16" NUT		01
08	0511015689	1.1" X 3.5" COUPLING SHAFT		02
09	0521011631	AUTOMATIC RESET		01
10	0624010008	16" X 3" X 5/8" POINT SUBSOILER		01
11	0503814193	BOLT		03
12	0503011440	SPRING WASHER		03
13	0503010020	1/2"NUT		03
14	0502011166	FRONT FIXER		01
15	0511019527	1" X 8" BOLT		04
16	0503011438	SPRING WASHER		04
17	0503010340	1" NUT		04



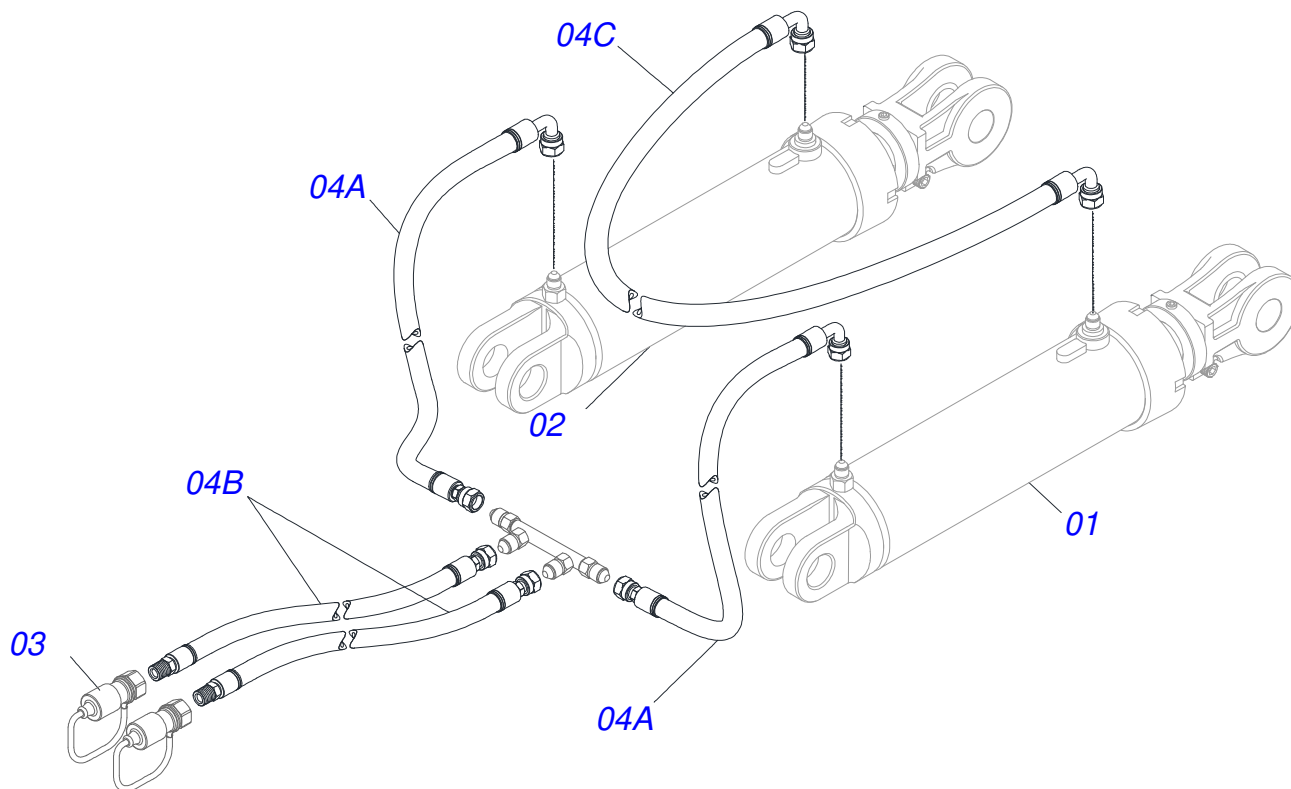
Item	Code	Description	See page	QT
01	0501068095	850 ADJUSTMENT NUT		01
02	0511062394	RIGHT TURNBUCKLE		01
03	0541018673	COUNTERNUT		01
04	0541018672	COUNTERNUT		01
05	0511062395	LEFT TURNBUCKLE		01
06	0503010002	1800 GREASE FITTING		02



Item	Code	Description	See page	QT
001	0502012273	PIVOT BEARING		01
002	0551018339	SLEEVE NYLON 114,40 X 140 X 76		01



Item	Code	Description	See page	QT
001	0502012509	RIGHT PIVOT BEARING		01
002	0551018339	SLEEVE NYLON 114,40 X 140 X 76		01



Item	Code	Description	See page	QT
01	0521045631	HYDRAULIC CYLINDER	2	01
02	0521045632	HYDRAULIC CYLINDER	3	01
03	0501053834	MALE QUICK COUPLER WITH CAP - 1/2 NPT		02
04	0501052886	HOSE KIT		01
04A	0501080431	TR-TC HOSE ASSY		02
04B	0501080384	TR-TM HOSE ASSY		02
04C	0501080578	TC-TC HOSE ASSY		01
04D	0503033158	PLASTIC BAG		01



www.marchesan.com.br



Technical Publications | Elaboration and Revision
LORENA ROCHA ALVES