

PARTS CATALOGUE



SUBSOILER PLOW

Code:

0501092714

Product:

AST/MATIC 450 15H 17H RD



Series:

REV/00

Revision:

S-1107

Date Revision:

MAIO/2020



PRODUCTS

Code	Description
0101170135	AST/MATIC 450 15H DC S-1107
0101170127	AST/MATIC 450 15H DC RD S-1107
0101170134	AST/MATIC 450 15H RD S-1107
0101170124	AST/MATIC 450 17H DC RD S-1107

ATTENTION: IMPORTANT

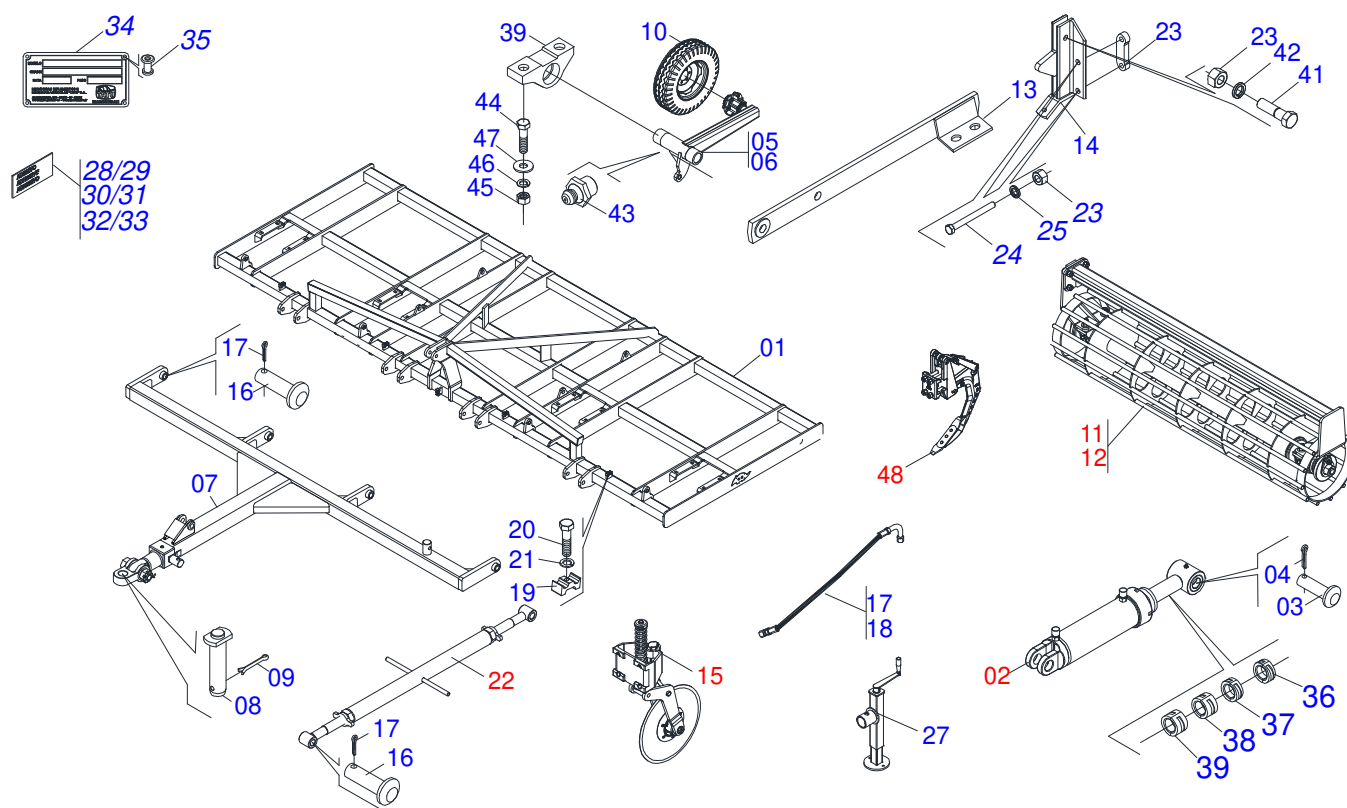
Marchesan S.A. reserves the right to improve and / or modify the technical features of its products, without obligation to do the same with those products already sold and without prior knowledge of the dealer or the consumer.



MARCHESAN

INDEX

0909098924	FRAME	1
0909098927	FRAME	2
0521045631	HYDRAULIC CYLINDER	3
0521045632	HYDRAULIC CYLINDER	4
0501051008	LEFT CARRYING-WHEELS	5
0501051007	RIGHT CARRYING-WHEELS	6
0511047074	DRAWBAR ASSY	7
0503062010	750 X 16-12L ASSY WHEEL AND TIRE	8
0501055245	BREAK ROLLER ASSY	9
0501055244	BOX BREAK ROLLER	10
0501055243	ARM ROLLE ASSY	11
0501110563	MANCAL ARTICULAÇÃO ESQUERDA C/LUVA	12
0501110568	MANCAL ARTICULAÇÃO DIREITA C/LUVA	13
0501053706	SUPPORT WITH BLADE DISC	14
0501054088	ESTABILIZADOR CABEÇALHO COMPLETO	15
0511047076	SHANKS SYSTEM ASSY	16
0511048088	DRAWBAR JACK	17
0511058778	HOSE ASSY	18
0511058777	HOSE ASSEMBLY	19



Item	Code	Description	See page	QT
01	0521060550	FRAME		01
02	0521045631	HYDRAULIC CYLINDER	3	02
02.	0521045632	HYDRAULIC CYLINDER	4	02
03	0521012538	1.2" X 3.5" COUPLING SHAFT		04
04	0503010523	1/4" X 2" COTTERPIN		08
05	0501051008	LEFT CARRYING-WHEELS	5	01
06	0501051007	RIGHT CARRYING-WHEELS	6	01
07	0511069431	DRAWBAR		01
08	0521012545	COUPLING SHAFT		01
09	0503010010	1/4" X 2.1/2" COTTERPIN		01
10	0503062010	750 X 16-12L ASSY WHEEL AND TIRE	8	02
11	0501055245	BREAK ROLLER ASSY	9	02
12	0501055244	BOX BREAK ROLLER	10	02
13	0511065378	BREAK ROLLER ARM		06
14	0501068437	BREAK ROLLER SUPPORT FIXATION		06
15	0501053706	SUPPORT WITH BLADE DISC	14	15
16	0511814902	COUPLING SHAFT		02
17	0503010571	1/4" X 1.1/2 COTTERPIN		08
18	0511058778	HOSE ASSY	18	01
18.	0511058777	HOSE ASSEMBLY	19	01
19	0502012702	BODY SUPPORT CLAMP		03
20	0503012555	7/16" X 2" BOLT		03
21	0503010180	7/16" SPRING WASHER		03
22	0501054088	ESTABILIZADOR CABEÇALHO COMPLETO	15	01
23	0571011609	FIXER PLATE CUTTING DISC		30
24	0501810161	SCREW 1/2 UNC X 1.1/4 C S G.2		06
25	0503011440	SPRING WASHER		06
26	0503010060	1/2" NUT		06
27	0511048088	DRAWBAR JACK	17	01
28	0503033794	ADHESIVE		02
29	0503033795	ADHESIVE LABEL		02

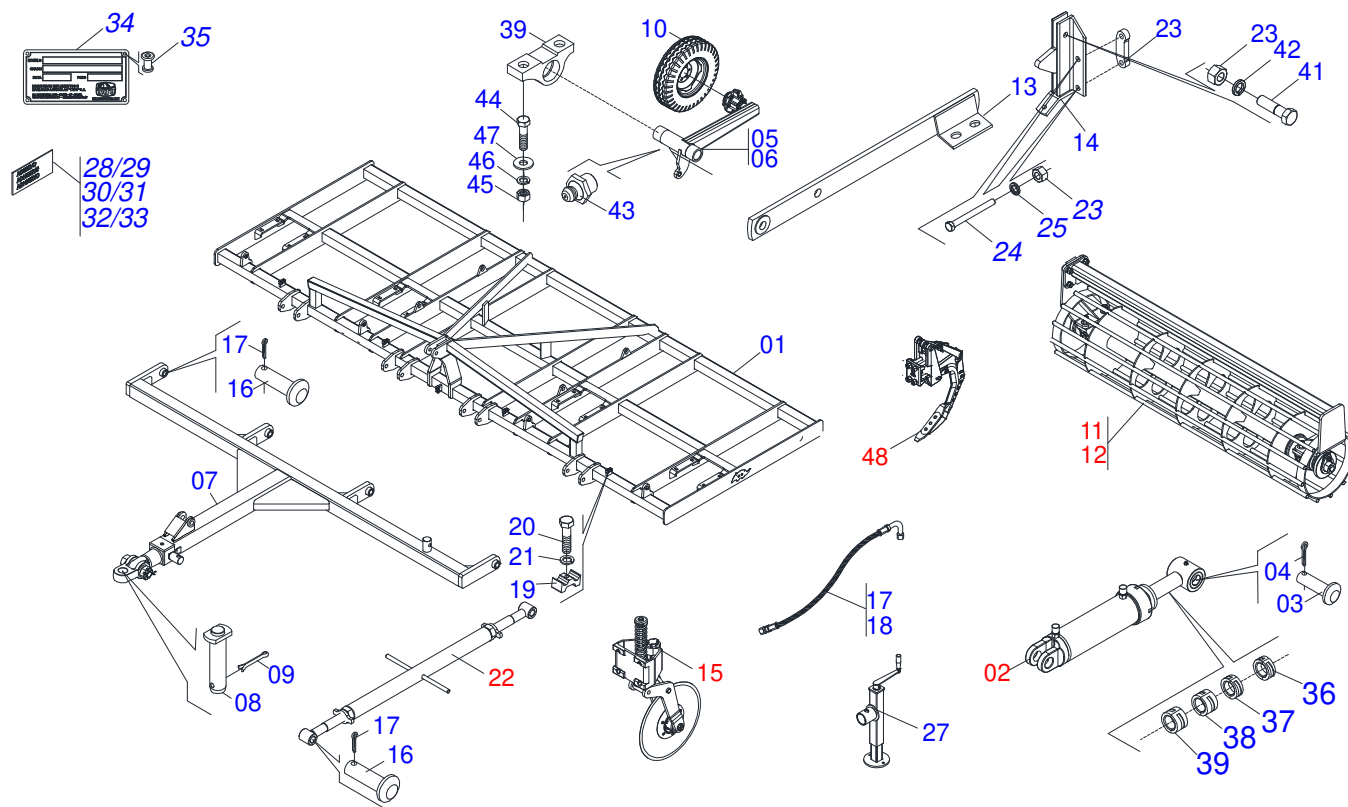


FRAME

0909098924

Item	Code	Description	See page	QT
30	0503031803	IMPORTANT ADHESIVE STICKER		01
31	0503031827	LUBRICATE AND RETIGHTEN DAILY DECAL		01
32	0503031428	READ MANUAL DECAL		01
33	0503031087	ADHESIVE LABEL		01
34	0503034003	SERIAL NUMBER TAG 61 X 118		01
35	0503010001	3.2 X 5.5 RIVET		04
36	0501047895	ROD STOP		01
37	0501047885	ROD STOP		01
38	0501047886	ROD STOP		01
39	0501047887	ROD STOP		01
40	0501110563	MANCAL ARTICULAÇÃO ESQUERDA C/LUVA	12	01
40.	0501110568	MANCAL ARTICULAÇÃO DIREITA C/LUVA	13	01
41	0501010827	3/4" X 2-3/4" BOLT		08
42	0503010023	3/4" SPRING WASHER		116
43	0503010002	1800 GREASE FITTING		04
44	0503010901	3/4UNC 3.1/2 BOLT		16
45	0501010322	FLAT WASHER		16
46	0503011442	3/4" SPRING WASHER		16
47	0503010014	3/4" NUT		16
48	0511047076	SHANKS SYSTEM ASSY	16	15

FRAME



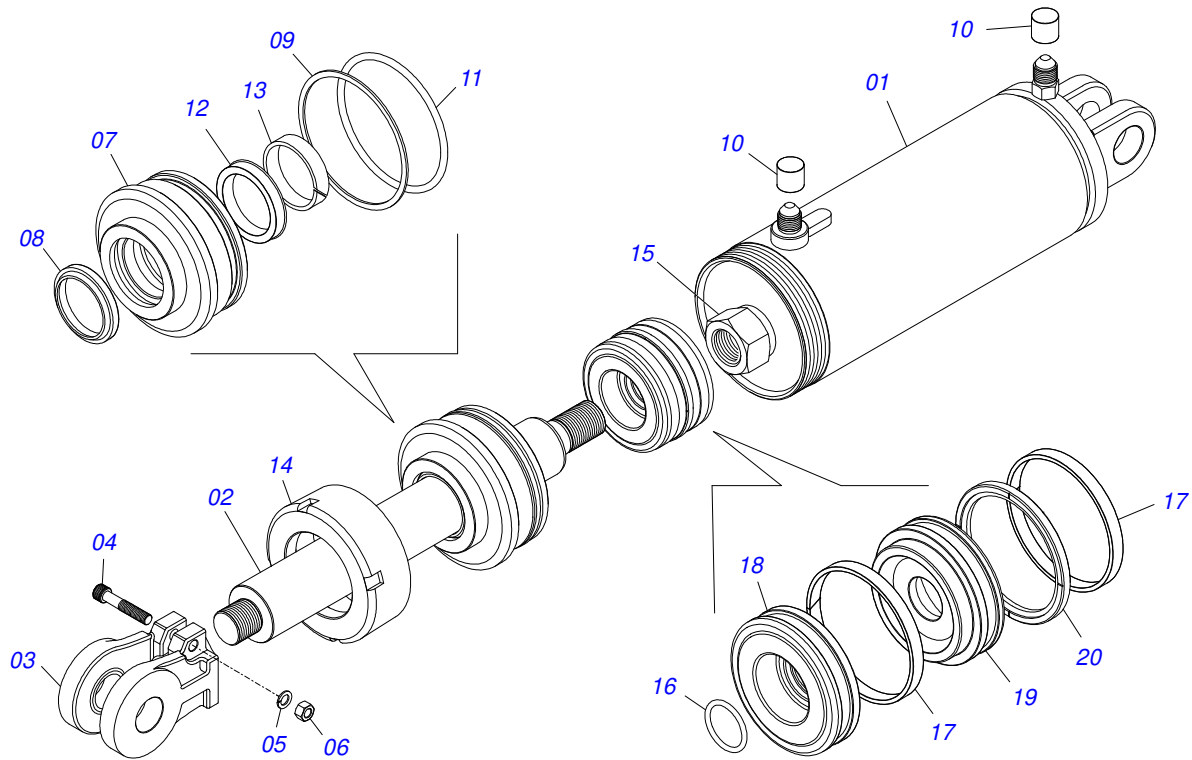
Item	Code	Description	See page	QT
01	0511069430	FRAME		01
02	0521045631	HYDRAULIC CYLINDER	3	02
02.	0521045632	HYDRAULIC CYLINDER	4	02
03	0521012538	1.2" X 3.5" COUPLING SHAFT		04
04	0503010523	1/4" X 2" COTTERPIN		08
05	0501051008	LEFT CARRYING-WHEELS	5	01
06	0501051007	RIGHT CARRYING-WHEELS	6	01
07	0511069431	DRAWBAR		01
08	0521012545	COUPLING SHAFT		01
09	0503010010	1/4" X 2.1/2" COTTERPIN		01
10	0503062010	750 X 16-12L ASSY WHEEL AND TIRE	8	02
11	0501055245	BREAK ROLLER ASSY	9	02
12	0501055244	BOX BREAK ROLLER	10	02
13	0511065378	BREAK ROLLER ARM		06
14	0501068437	BREAK ROLLER SUPPORT FIXATION		06
15	0501053706	SUPPORT WITH BLADE DISC	14	15
16	0511814902	COUPLING SHAFT		02
17	0503010571	1/4" X 1.1/2 COTTERPIN		08
18	0511058778	HOSE ASSY	18	01
18.	0511058777	HOSE ASSEMBLY	19	01
19	0502012702	BODY SUPPORT CLAMP		03
20	0503012555	7/16" X 2" BOLT		03
21	0503010180	7/16" SPRING WASHER		03
22	0501054088	ESTABILIZADOR CABEÇALHO COMPLETO	15	01
23	0571011609	FIXER PLATE CUTTING DISC		30
24	0501810161	SCREW 1/2 UNC X 1.1/4 C S G.2		06
25	0503011440	SPRING WASHER		06
26	0503010060	1/2" NUT		06
27	0511048088	DRAWBAR JACK	17	01
28	0503033794	ADHESIVE		02
29	0503033795	ADHESIVE LABEL		02



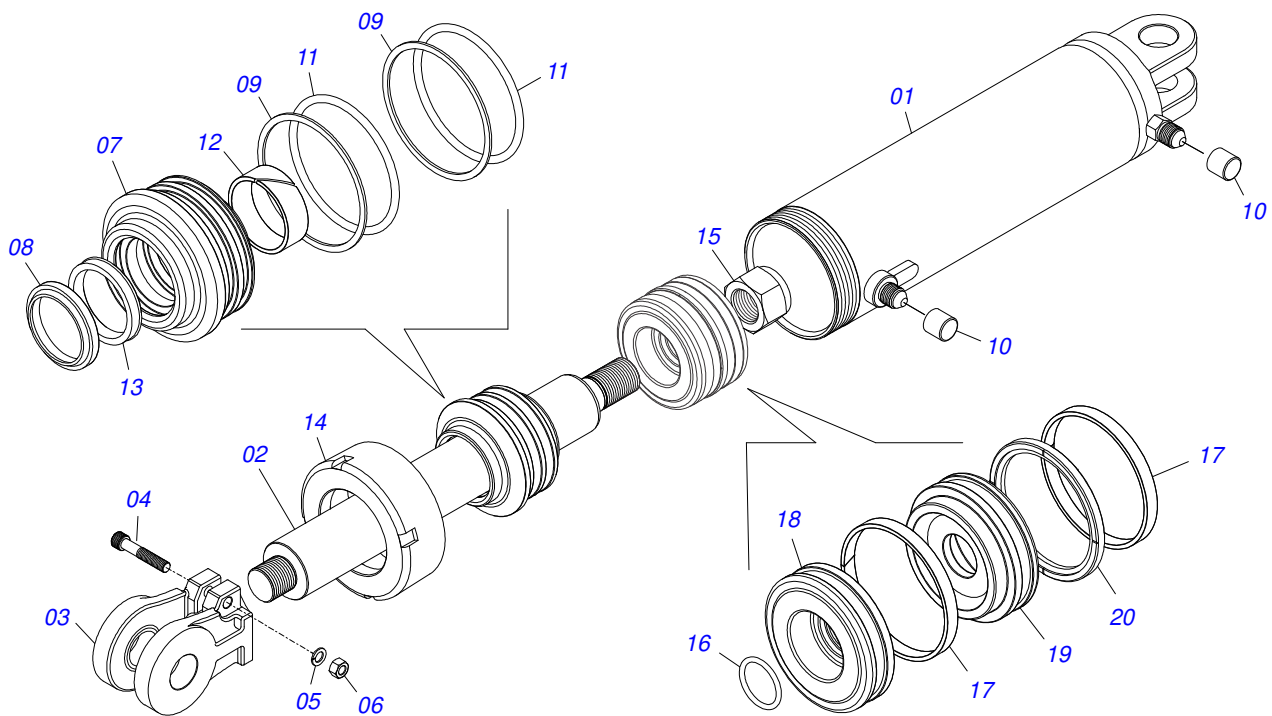
FRAME

0909098927

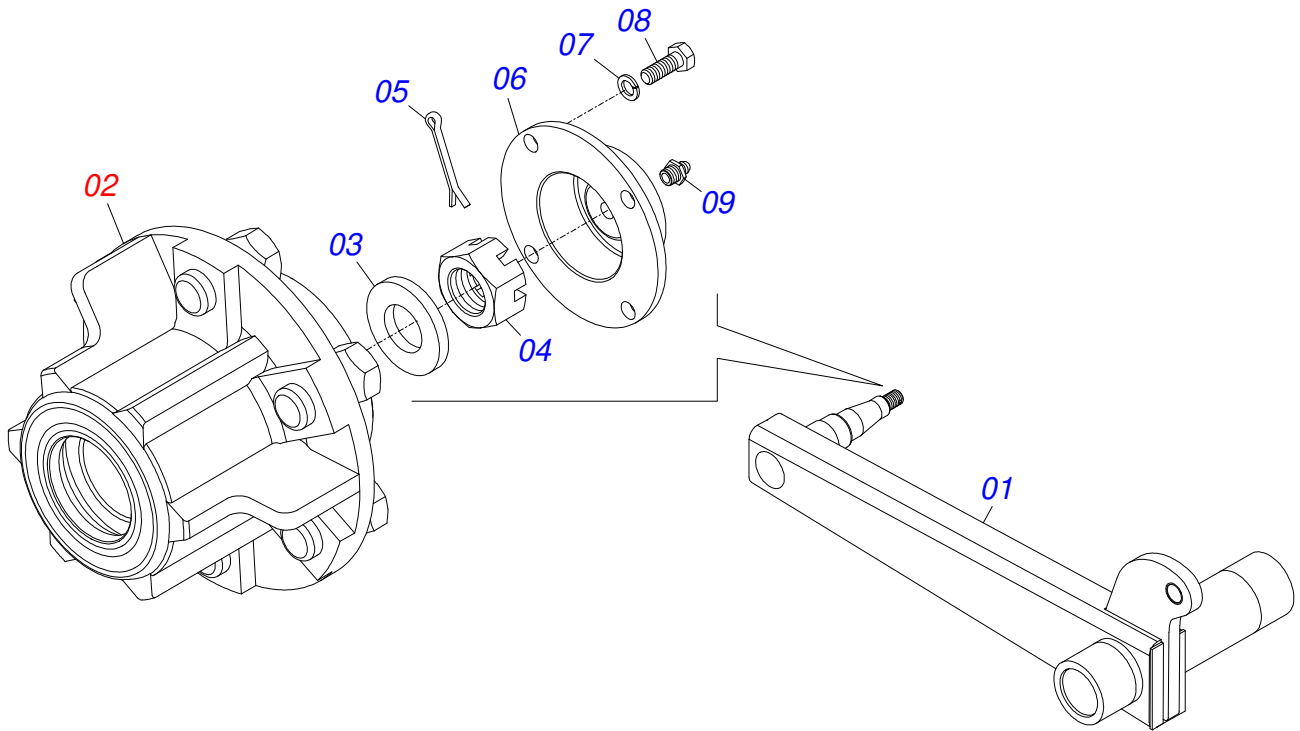
Item	Code	Description	See page	QT
30	0503031803	IMPORTANT ADHESIVE STICKER		01
31	0503031827	LUBRICATE AND RETIGHTEN DAILY DECAL		01
32	0503031428	READ MANUAL DECAL		01
33	0503031087	ADHESIVE LABEL		01
34	0503034003	SERIAL NUMBER TAG 61 X 118		01
35	0503010001	3.2 X 5.5 RIVET		04
36	0501047895	ROD STOP		01
37	0501047885	ROD STOP		01
38	0501047886	ROD STOP		01
39	0501047887	ROD STOP		01
40	0501110563	MANCAL ARTICULAÇÃO ESQUERDA C/LUVA	12	01
40.	0501110568	MANCAL ARTICULAÇÃO DIREITA C/LUVA	13	01
41	0501010827	3/4" X 2-3/4" BOLT		08
42	0503010023	3/4" SPRING WASHER		116
43	0503010002	1800 GREASE FITTING		04
44	0503010901	3/4UNC 3.1/2 BOLT		16
45	0501010322	FLAT WASHER		16
46	0503011442	3/4" SPRING WASHER		16
47	0503010014	3/4" NUT		16
48	0511047076	SHANKS SYSTEM ASSY	16	15



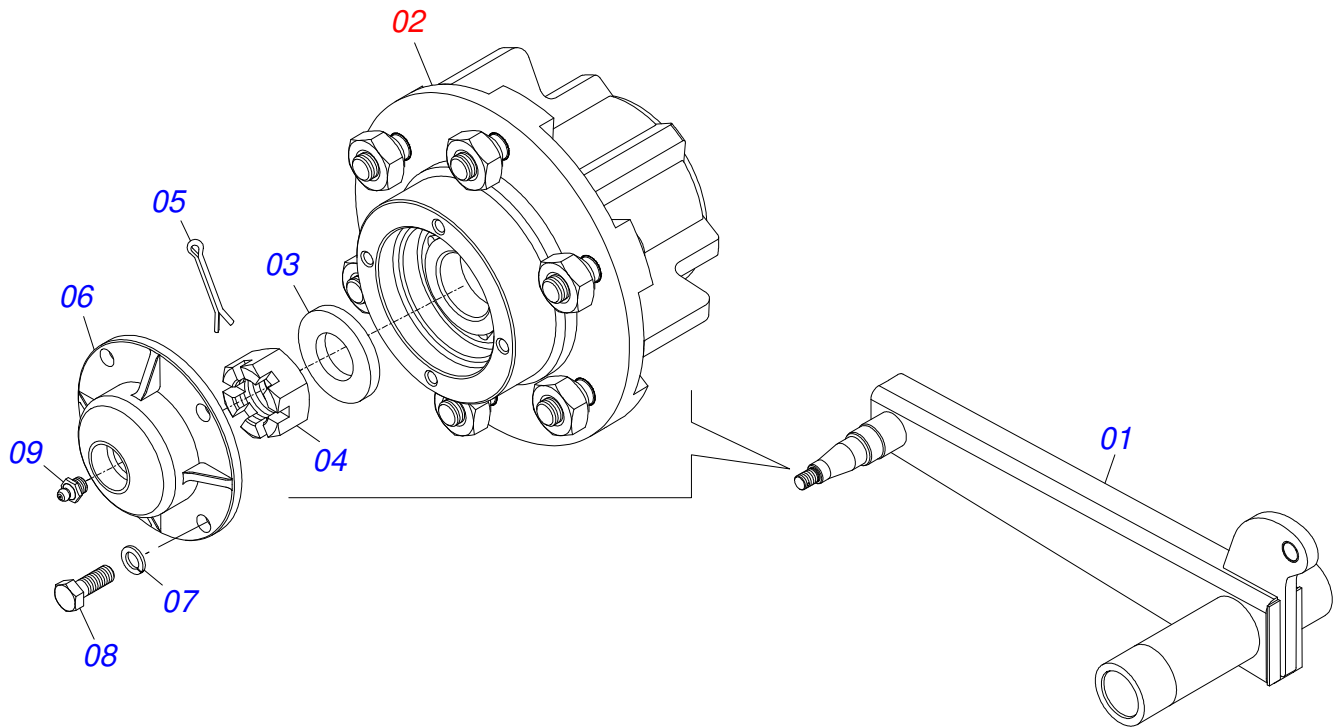
Item	Code	Description	See page	QT
01	0521066160	CYLINDER CASE		01
02	0571019558	HYDRAULIC CYLINDER TURNBUCKLE		01
03	0502040747	32.54 CLEVIS CLAMP		01
04	0503011094	3/8" X 2" BOLT		01
05	0503011443	3/8" SPRING WASHER		01
06	0503010026	3/8" NUT		01
07	0502011220	2" X 4.5" RING SUPPORT		01
08	0503015636	SCRAPER SEAL		01
09	0503011893	BACK-UP RING, 8-346		01
10	0503030385	CYLINDER PLUG N-002		02
11	0503011892	O' RING, 2-346 N 3006-9B		01
12	0503015635	U-CUP SEAL		01
13	0503015634	RING SLYDRING		01
14	0502011222	0.56" END CAP		01
15	0503010817	1.1/4" SELF LOCKING NUT		01
16	0503010345	2-218 N 3006-9B O'RING		01
17	0503017881	RING GUIDE		02
18	0581012603	PISTON 114.30 BP		01
19	0581012604	PISTON 114.30 BP		01
20	0503018652	SEAL		01



Item	Code	Description	See page	QT
01	0521066159	CYLINDER CASE		01
02	0571019558	HYDRAULIC CYLINDER TURNBUCKLE		01
03	0502040747	32.54 CLEVIS CLAMP		01
04	0503011094	3/8" X 2" BOLT		01
05	0503011443	3/8" SPRING WASHER		01
06	0503010026	3/8" NUT		01
07	0581010678	50,80 X 101 RING SUPPORT		01
08	0503015636	SCRAPER SEAL		01
09	0503011061	8-342 BACK-UP RING		02
10	0503030385	CYLINDER PLUG N-002		02
11	0503010338	2-342 N 3006-9B O'RING		02
12	0503018025	RING GUIDE		01
13	0503018026	1870-2000-375 B GASKET		01
14	0502012822	101.60 END CAP		01
15	0503010817	1.1/4" SELF LOCKING NUT		01
16	0503010345	2-218 N 3006-9B O'RING		01
17	0503017889	RING GUIDE		02
18	0581012600	PISTON		01
19	0581012599	PISTON		01
20	0503018651	SEALING		01

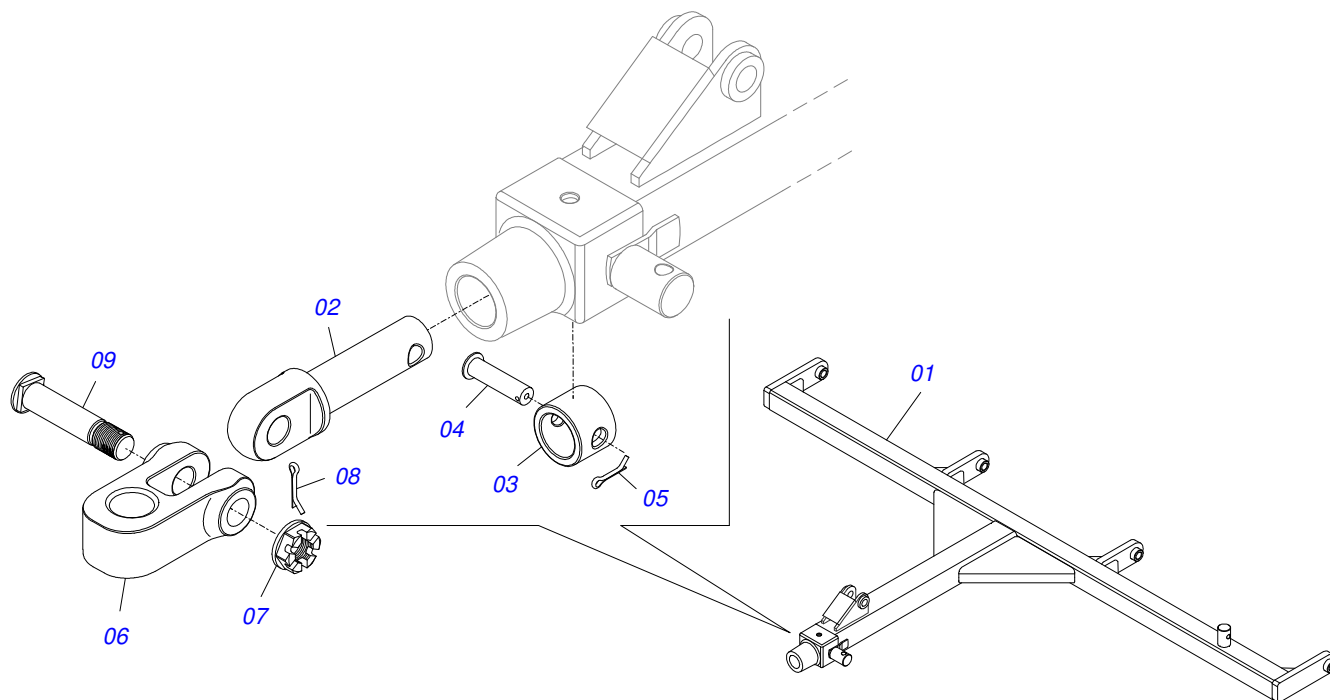


Item	Code	Description	See page	QT
01	0501068417	LEFT CARRYING-WHEELS		01
02	0501051142	CARRYING WHEEL HUB		01
03	0501016545	FLAT WASHER		01
04	0503030009	1" CASTLE NUT		01
05	0503010018	5/32 X 1-1/2 COTTERPIN		01
06	0502020591	PROTECCION COVER		01
07	0503011444	SPRING WASHER		04
08	0503010358	5/16" X 5/8" BOLT		04
09	0503010002	1800 GREASE FITTING		01

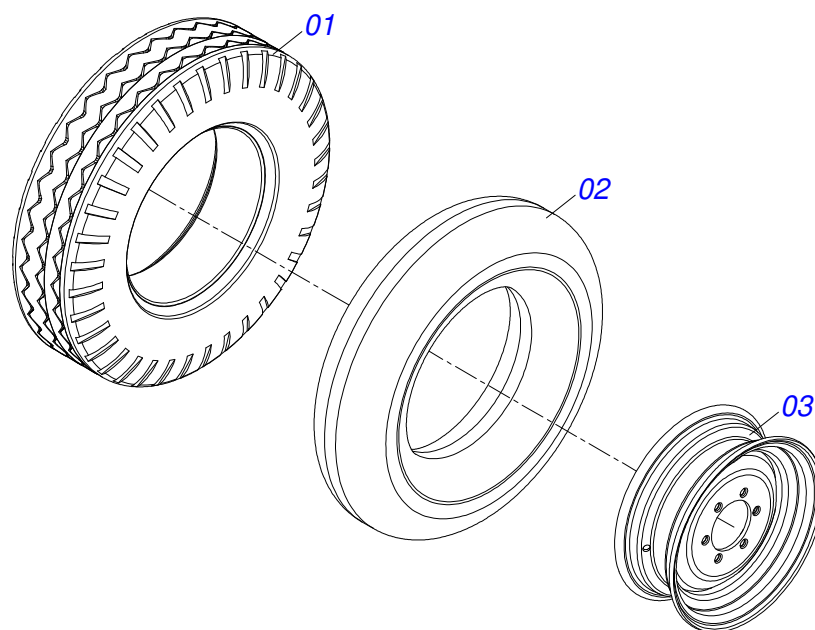


Item	Code	Description	See page	QT
01	0501068416	RIGHT CARRYING-WHEELS		01
02	0501051142	CARRYING WHEEL HUB		01
03	0501016545	FLAT WASHER		01
04	0503030009	1" CASTLE NUT		01
05	0503010018	5/32 X 1-1/2 COTTERPIN		01
06	0502020591	PROTECCION COVER		01
07	0503011444	SPRING WASHER		04
08	0503010358	5/16" X 5/8" BOLT		04
09	0503010002	1800 GREASE FITTING		01

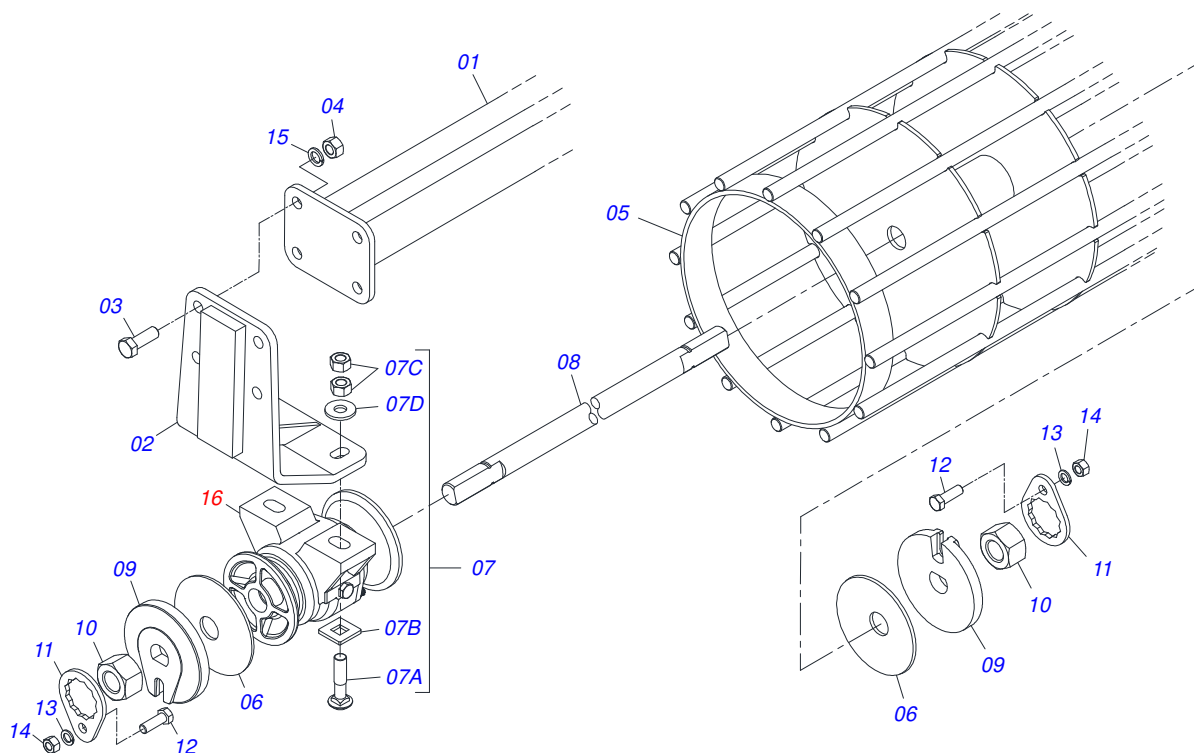
DRAWBAR ASSY



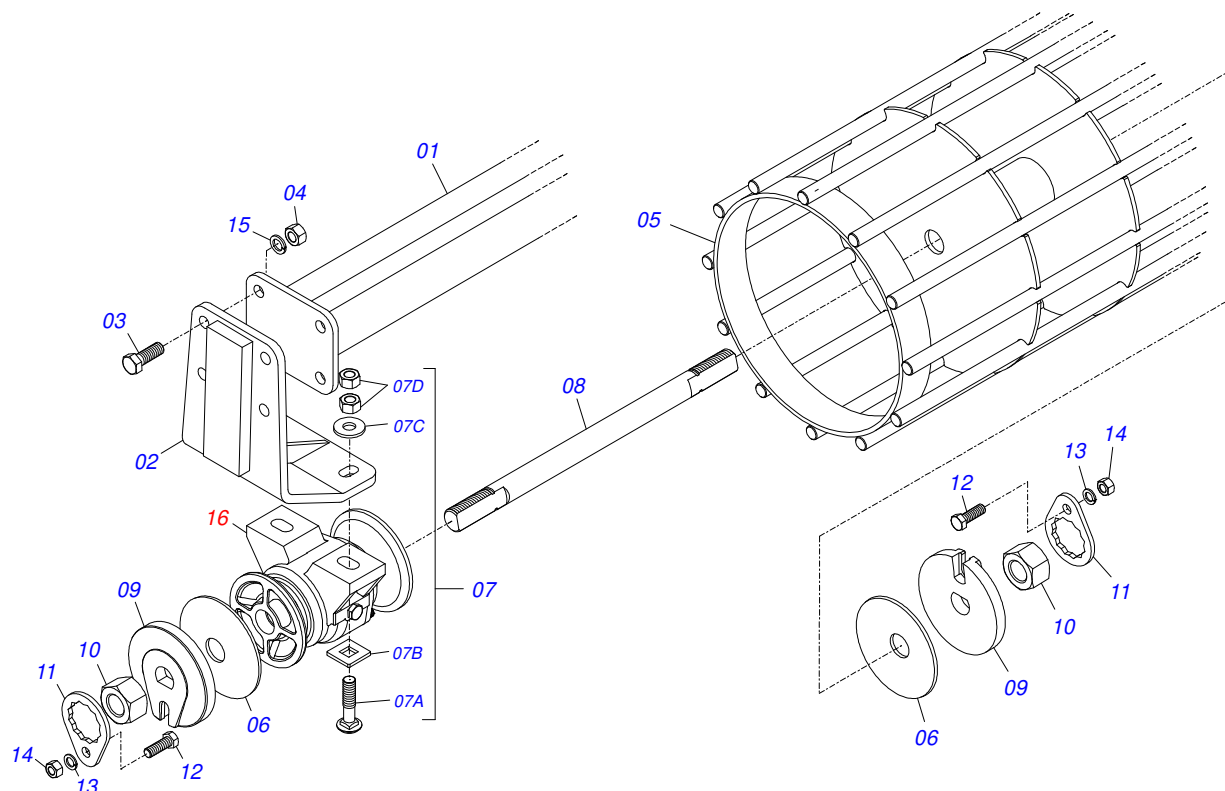
Item	Code	Description	See page	QT
01	0511069431	DRAWBAR		01
02	0502040727	COUPLING SHAFT		01
03	0502040327	ANEL TRAVA ENGATE		01
04	0511014902	COUPLING SHAFT		01
05	0503010571	1/4" X 1.1/2 COTTERPIN		01
06	1902040733	U COUPLING HOOK		01
07	0501011301	1.1/2 UNC 6FPP 2.5/16 NUT		01
08	0503010010	1/4" X 2.1/2" COTTERPIN		01
09	0521012545	COUPLING SHAFT		01



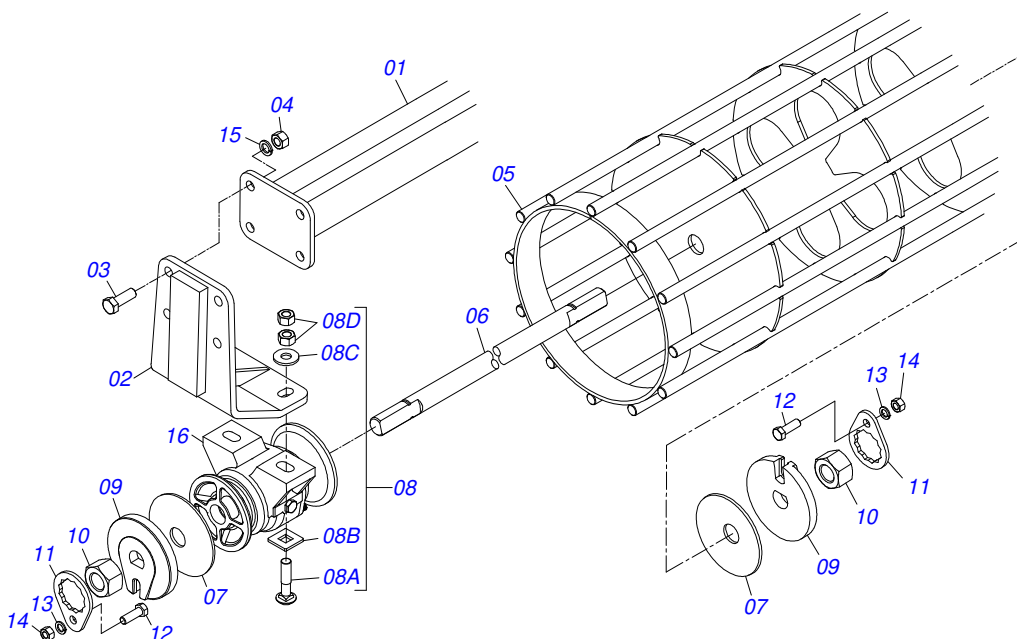
Item	Code	Description	See page	QT
01	0503012864	TYRE		01
02	0503010033	7.50 X 16 INNER TIRE		01
03	0521062708	WHEEL 5,50 X 16 X 118 X 6F 16,50 X 152,40		01



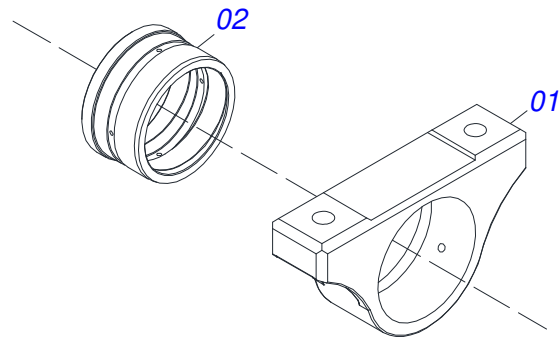
Item	Code	Description	See page	QT
01	0511065381	1729 BREAK ROLLER SUPPORT		01
02	0511069433	BREAK ROLLER BRACKET		01
03	0503010232	5/8" X 1.3/4" BOLT		04
04	0503010013	5/8" NUT		04
05	0511065384	1710 BREAK ROLLER		01
06	0531018575	ARRUELA CONCAVA 33,50X 140X 4,75		02
07	0501058802	5/8 UNC X 2.3/4 BOLT ASSY		04
07A	0503015154	5/8" X 2.3/4" BOLT		01
07B	0501010947	5/8 NUT LOCK		01
07C	0503010013	5/8" NUT		02
07D	0501012140	FLAT WASHER		01
08	0541011903	1.1/4" X 1755 AXLE		01
09	0502010835	1-1/4" EXTERNAL AXLE WASHER		02
10	0501010087	1.1/4" NUT		02
11	0501010455	1.1/4" NUT LOCK		02
12	0501010161	1/2" X 1.1/4" BOLT		02
13	0503011440	SPRING WASHER		02
14	0503010060	1/2" NUT		02
15	0503011445	SPRING WASHER		04
16	0501046922	7.5" X 1-1/4" OIL BATH BEARING		02



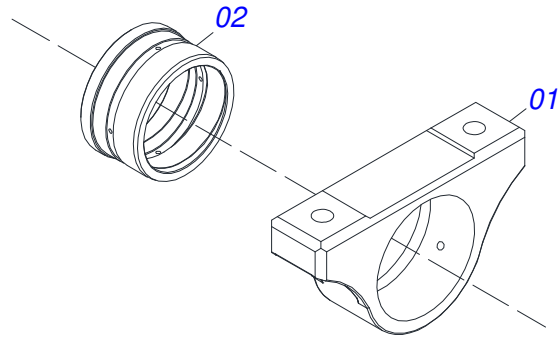
Item	Code	Description	See page	QT
01	0511065380	1329 BREAK ROLLER SUPPORT		01
02	0511069433	BREAK ROLLER BRACKET		01
03	0503010232	5/8" X 1.3/4" BOLT		04
04	0503010013	5/8" NUT		04
05	0511065383	BREAK ROLLER 1310		01
06	0531018575	ARRUELA CONCAVA 33,50X 140X 4,75		02
07	0501058802	5/8 UNC X 2.3/4 BOLT ASSY		04
07A	0503015154	5/8" X 2.3/4" BOLT		01
07B	0501010947	5/8 NUT LOCK		01
07C	0503010013	5/8" NUT		02
07D	0501012140	FLAT WASHER		01
08	0541011902	1.1/4 X 1355 AXLE		01
09	0502010835	1-1/4" EXTERNAL AXLE WASHER		02
10	0501010087	1.1/4" NUT		02
11	0501010455	1.1/4" NUT LOCK		02
12	0501010161	1/2" X 1.1/4" BOLT		02
13	0503011440	SPRING WASHER		02
14	0503010060	1/2" NUT		02
15	0503011445	SPRING WASHER		04
16	0501046922	7.5" X 1-1/4" OIL BATH BEARING		02



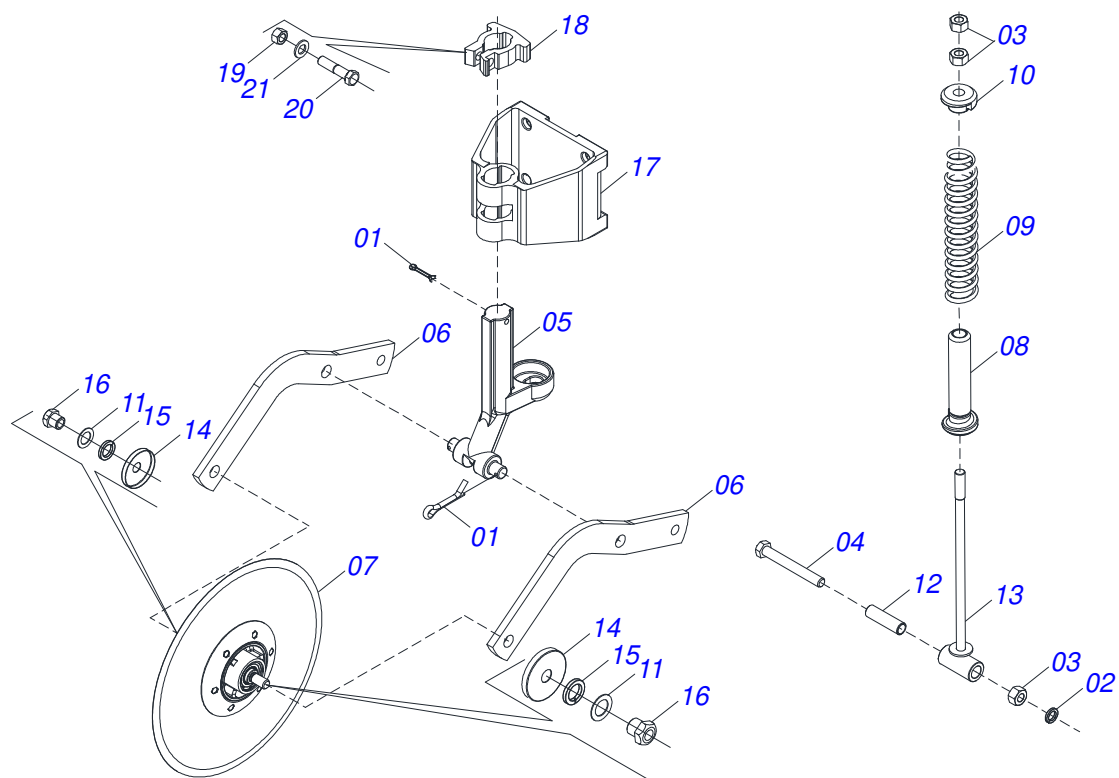
Item	Code	Description	See page	QT
01	0511065379	2129 BREAK ROLLER SUPPORT		01
02	0511069433	BREAK ROLLER BRACKET		01
03	0503010232	5/8" X 1.3/4" BOLT		04
04	0503010013	5/8" NUT		04
05	0511065382	2108 BREAK ROLLER		01
06	0501013310	1-1/4 X 2150 AXLE		01
07	0531018575	ARRUELA CONCAVA 33,50X 140X 4,75		02
08	0501058802	5/8 UNC X 2.3/4 BOLT ASSY		04
08A	0503015154	5/8" X 2.3/4" BOLT		01
08B	0501010947	5/8 NUT LOCK		01
08C	0503010013	5/8" NUT		02
08D	0501012140	FLAT WASHER		01
09	0502010835	1-1/4" EXTERNAL AXLE WASHER		02
10	0501010087	1.1/4" NUT		02
11	0501010455	1.1/4" NUT LOCK		02
12	0501010161	1/2" X 1.1/4" BOLT		02
13	0503011440	SPRING WASHER		02
14	0503010060	1/2" NUT		02
15	0503011445	SPRING WASHER		04
16	0501046922	7.5" X 1-1/4" OIL BATH BEARING		02



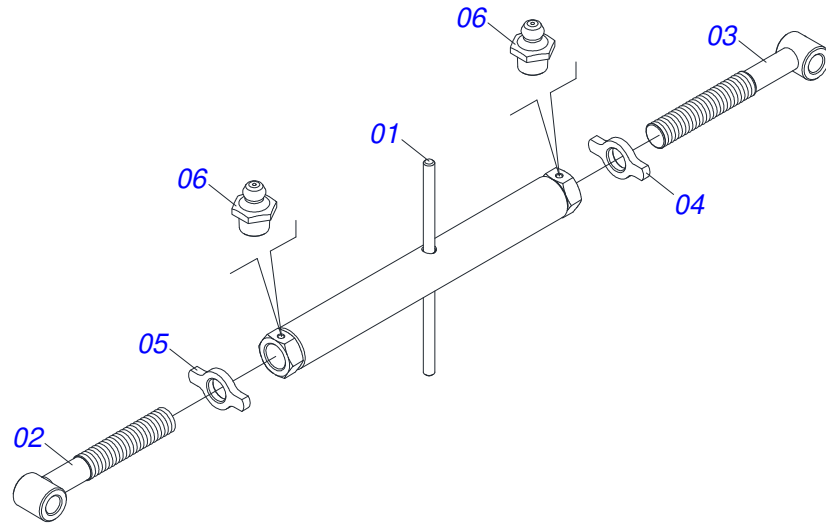
Item	Code	Description	See page	QT
001	0502012273	PIVOT BEARING		01
002	0551018339	SLEEVE NYLON 114,40 X 140 X 76		01



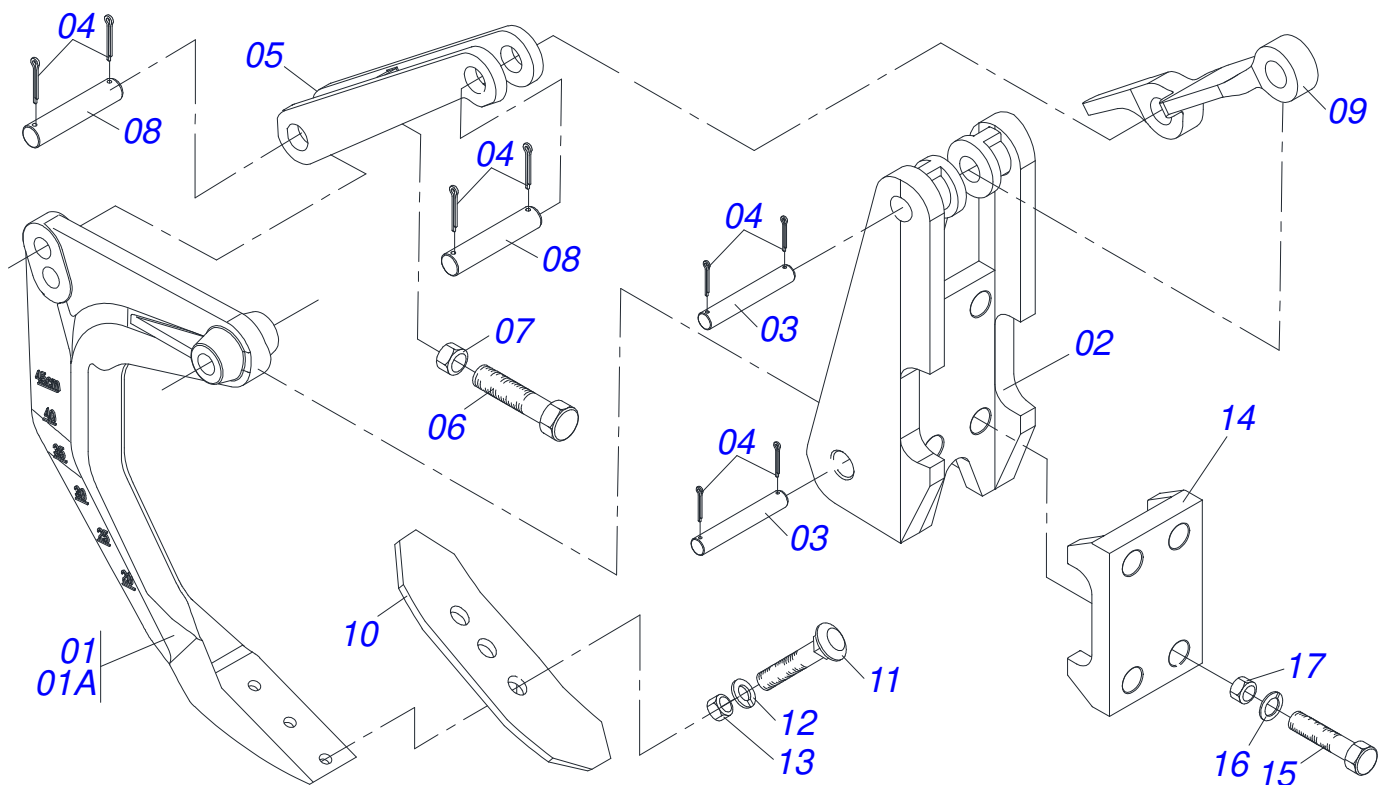
Item	Code	Description	See page	QT
001	0502012509	RIGHT PIVOT BEARING		01
002	0551018339	SLEEVE NYLON 114,40 X 140 X 76		01



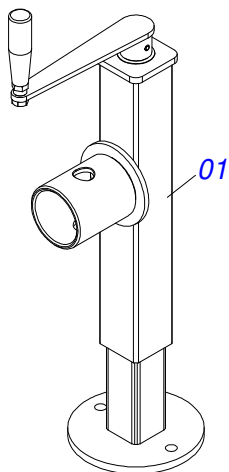
Item	Code	Description	See page	QT
01	0503010571	1/4" X 1.1/2 COTTERPIN		02
02	0503011442	3/4" SPRING WASHER		01
03	0503010014	3/4" NUT		03
04	0503011198	C3/4" X 6" SCREW		01
05	0502012025	BLADE DISC SUPPORT		01
06	0521019800	BLADE DISC BREAK		02
07	0501052139	18 BLADE DISC WITH FLAT PLAN DISC		01
08	0511061576	SPRING GUIDE		01
09	0503031679	COMPRES SPRING		01
10	1902020393	SPRING UPPER SUPPORT		01
11	0511015346	FLAT WASHER		02
12	0521010452	SLEEVE		01
13	0511060915	ROD SPRING		01
14	0521015376	DUST CLOAK		02
15	0503011438	SPRING WASHER		02
16	0521013510	3/4" NUT		02
17	0502012026	BLADE DISC FIXER SUPPORT		01
18	1902012024	FIXER SUPPORT BUSHING		01
19	0503010129	5/8" NUT		01
20	0503013184	5/8" X 2-3/4" BOLT G.8		01
21	0501011299	FLAT WASHER		01



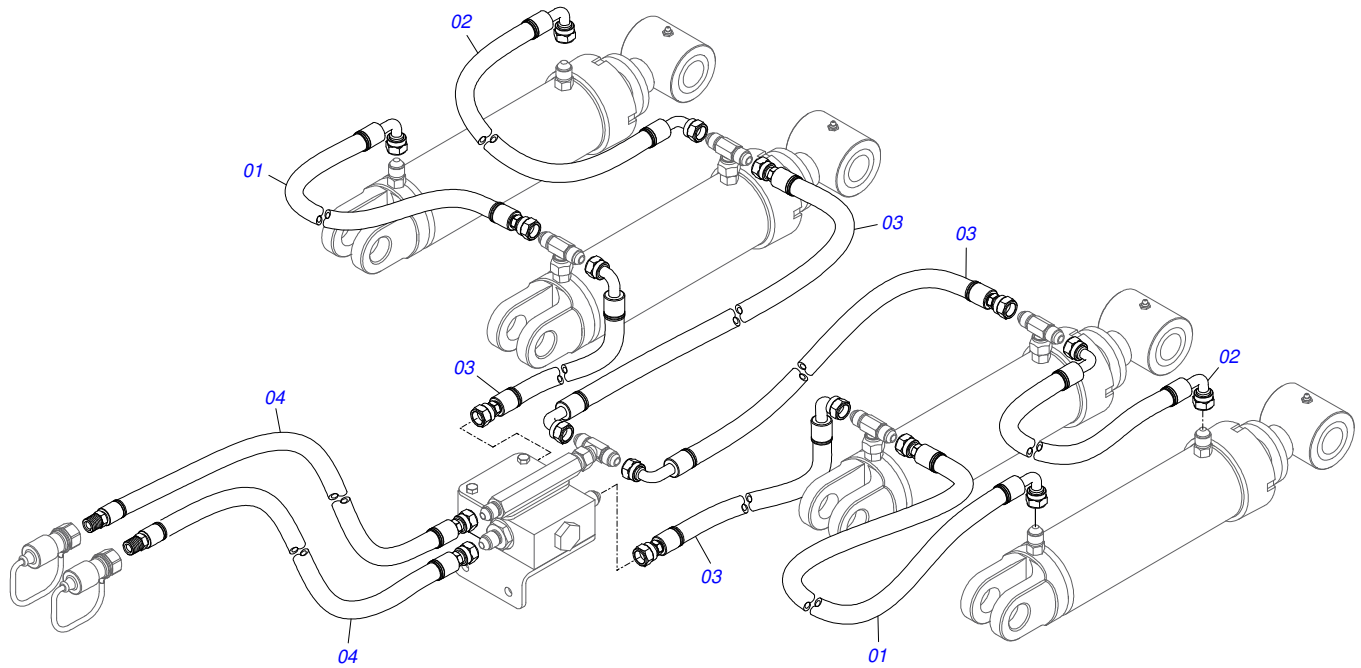
Item	Code	Description	See page	17/19/21HASTES
01	0511063786	EXTENSOR 950 AST/MATIC E 550		01
02	0511063787	FUSO EXTERNO R1.1/2 X 432 DIREITO		01
03	0511063788	FUSO EXTERNO R1.1/2 X 432 ESQUERDO		01
04	0541018672	COUNTERNUT		01
05	0541018673	COUNTERNUT		01
06	0503010002	1800 GREASE FITTING		02



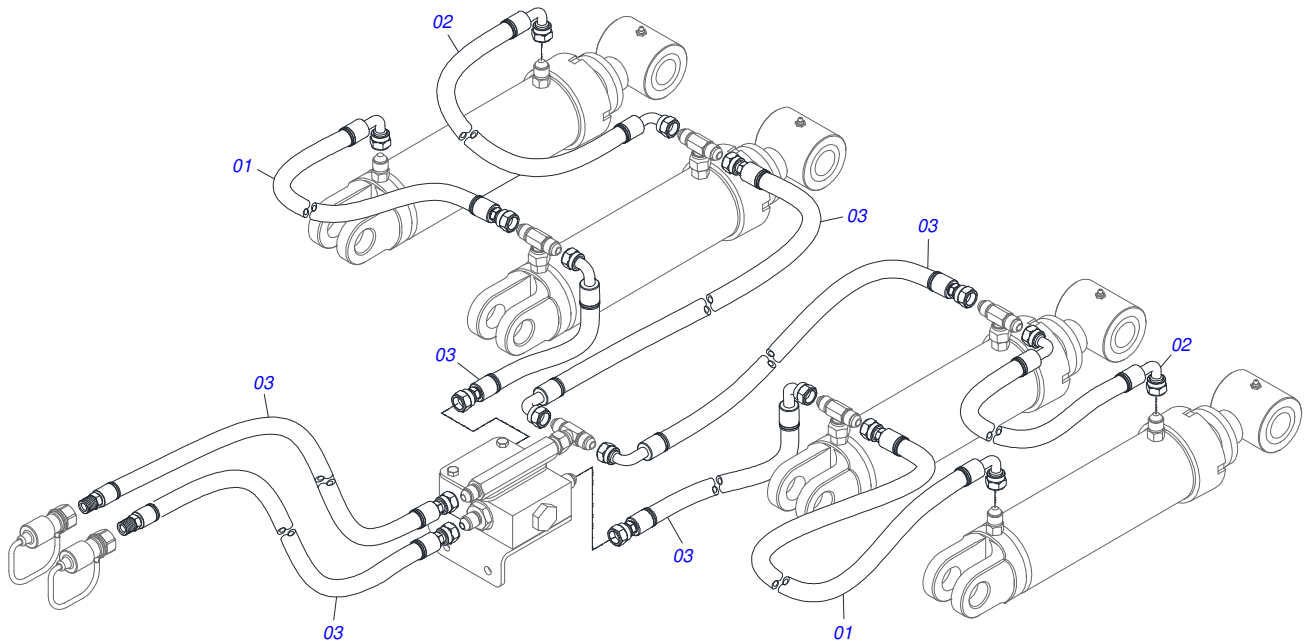
Item	Code	Description	See page	QT
01	0511047076	SHANKS SYSTEM ASSY	16	01
01A	0502011264	ARM AST/MATIC		01
02	0502011551	REAR FIXER		01
03	0521013024	28,50 X 184 AXLE		02
04	0503010571	1/4" X 1.1/2 COTTERPIN		08
05	0502011164	SUPPORT SPRING		01
06	0503011195	7/16" X 1.3/4" BOLT		01
07	0503010244	7/16" NUT		01
08	0511015689	1.1" X 3.5" COUPLING SHAFT		02
09	0521011631	AUTOMATIC RESET		01
10	0624010005	POINT SUBSOILER 16"X3"X1/2" E019		01
11	0503014190	1/2 BSW "1.1/2 BOLT		03
12	0503011440	SPRING WASHER		03
13	0503010020	1/2"NUT		03
14	0502011552	FRONT FIXER		01
15	0511019527	1" X 8" BOLT		04
16	0503011438	SPRING WASHER		04
17	0503010340	1" NUT		04



Item	Code	Description	See page	QT
01	0503062227	DRAWBAR JACK		01



Item	Code	Description	See page	QT
01	0501080461	TR-TC HOSE ASSY		02
02	0501080393	3/8 X 2200 TC-TC HOSE		02
03	0501080450	TR-TC HOSE ASSY		04
04	0501080509	TR-TM HOSE ASSY		02



Item	Code	Description	See page	QT
001	0501080509	TR-TM HOSE ASSY		02
002	0501080393	3/8 X 2200 TC-TC HOSE		02
003	0501080461	TR-TC HOSE ASSY		06



www.marchesan.com.br



Technical Publications | Elaboration and Revision
LORENA ROCHA ALVES