

# PARTS CATALOGUE



## SUBSOILER PLOW

**Code:**

0501092710

**Product:**

AST/MATIC E 450 13H DC RD S-0814



**Series:**

S-0814

**Revision:**

00

**Date Revision:**

ABRIL/2020



# PRODUCTS

Code	Description
0101170161	AST/MATIC E 450 13H DC RD S-0814

## ATTENTION: IMPORTANT

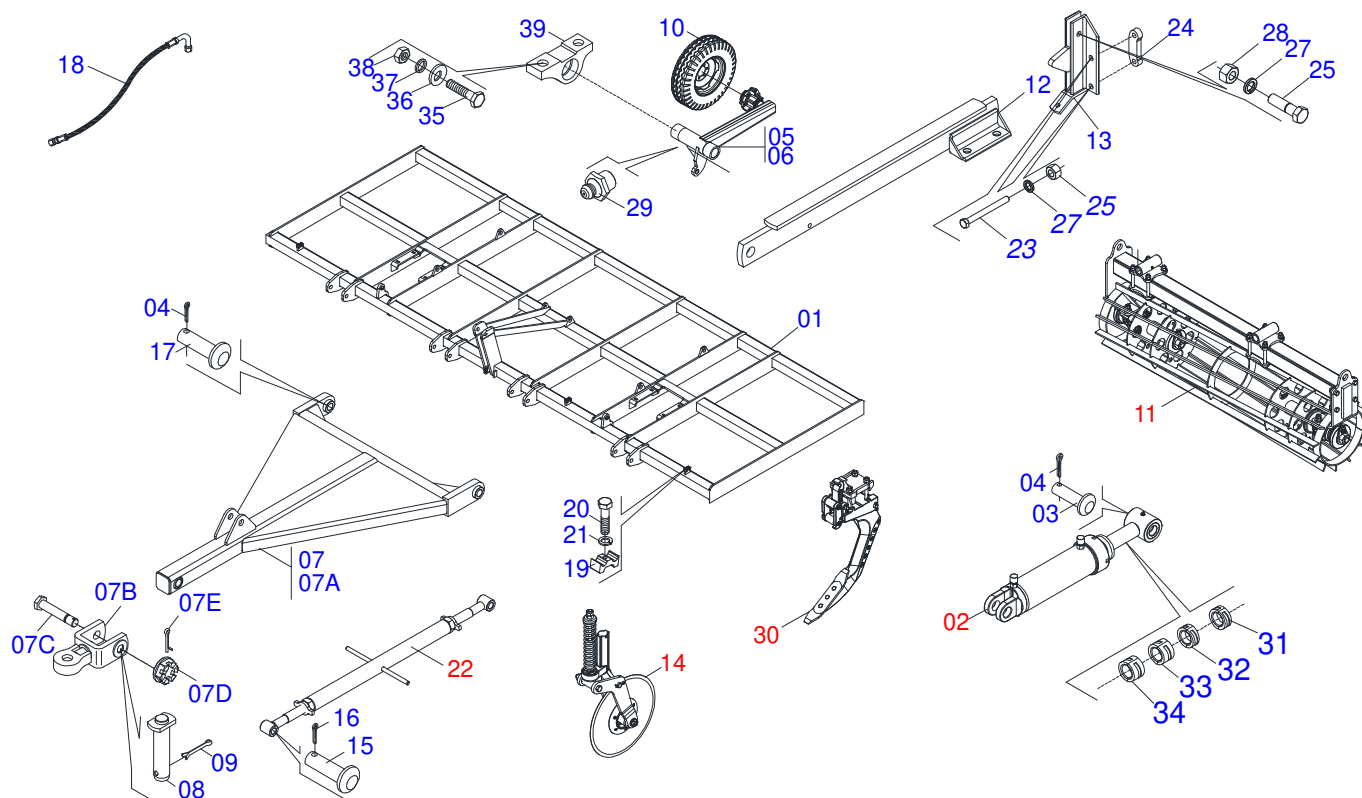
Marchesan S.A. reserves the right to improve and / or modify the technical features of its products, without obligation to do the same with those products already sold and without prior knowledge of the dealer or the consumer.



# INDEX

0909098913	FRAME	.....	2
0521044683	BREAKER ROLLER ARM ASSY	.....	3
0501051008	LEFT CARRYING-WHEELS	.....	4
0501051007	RIGHT CARRYING-WHEELS	.....	5
0511040026	DRAWBAR ASSY	.....	6
0501046922	7.5" X 1-1/4" OIL BATH BEARING	.....	7
0521045632	HYDRAULIC CYLINDER	.....	8
0521045631	HYDRAULIC CYLINDER	.....	9
0511057107	SHANKS SYSTEM WITHOUT SPRING	.....	10
0501056926	SUPPORT WITH BLADE DISC	.....	11
0909098912	HYDRAULIC CIRCUIT	.....	12

FRAME



Item	Code	Description	See page	QT
01	0521043723	FRAME		01
02	0521045631	HYDRAULIC CYLINDER	9	01
02.	0521045632	HYDRAULIC CYLINDER	8	01
03	0521012538	1.2" X 3.5" COUPLING SHAFT		04
04	0503010523	1/4" X 2" COTTERPIN		08
05	0501051008	LEFT CARRYING-WHEELS	4	01
06	0501051007	RIGHT CARRYING-WHEELS	5	01
07	0511040026	DRAWBAR ASSY	6	01
07A	0511062392	DRAWBAR		01
07B	0501069684	TRACTOR HITCH		01
07C	0501017291	1-1/2" X 8.1" BOLT		01
07D	0501011301	1.1/2 UNC 6FPP 2.5/16 NUT		01
07E	0503010010	1/4" X 2.1/2" COTTERPIN		01
08	0521812538	COUPLING SHAFT		01
09	0503010523	1/4" X 2" COTTERPIN		01
10	0503062010	750 X 16-12L ASSY WHEEL AND TIRE		02
11	0521044683	BREAKER ROLLER ARM ASSY	3	03
12	0511065378	BREAK ROLLER ARM		06
13	0501068437	BREAK ROLLER SUPPORT FIXATION		06
14	0501056926	SUPPORT WITH BLADE DISC	11	17
15	0511011887	COUPLING SHAFT		02
16	0503010571	1/4" X 1.1/2 COTTERPIN		08
17	0521012536	COUPLING SHAFT		02
18	0909098912	HYDRAULIC CIRCUIT	12	01
19	0502012702	BODY SUPPORT CLAMP		03
20	0503012555	7/16" X 2" BOLT		03
21	0503010180	7/16" SPRING WASHER		03
22	0501052930	ESTABILIZER DRAWBAR ASSY		01
23	0503014744	3/4 UNF X 7.1/2 C S G.7 ZN BOLT		12
24	0571011609	FIXER PLATE CUTTING DISC		06
25	0503010335	3/4"NUT		12

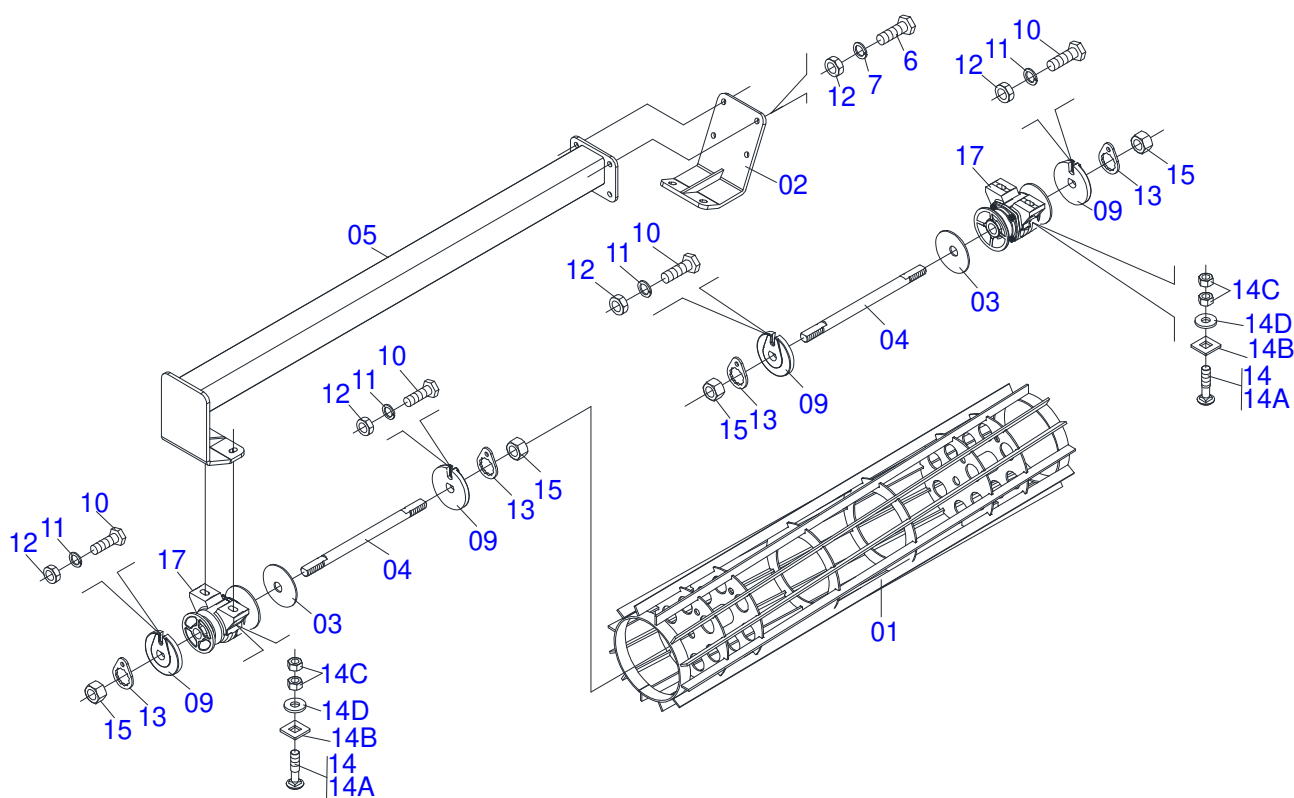


## FRAME

0909098913

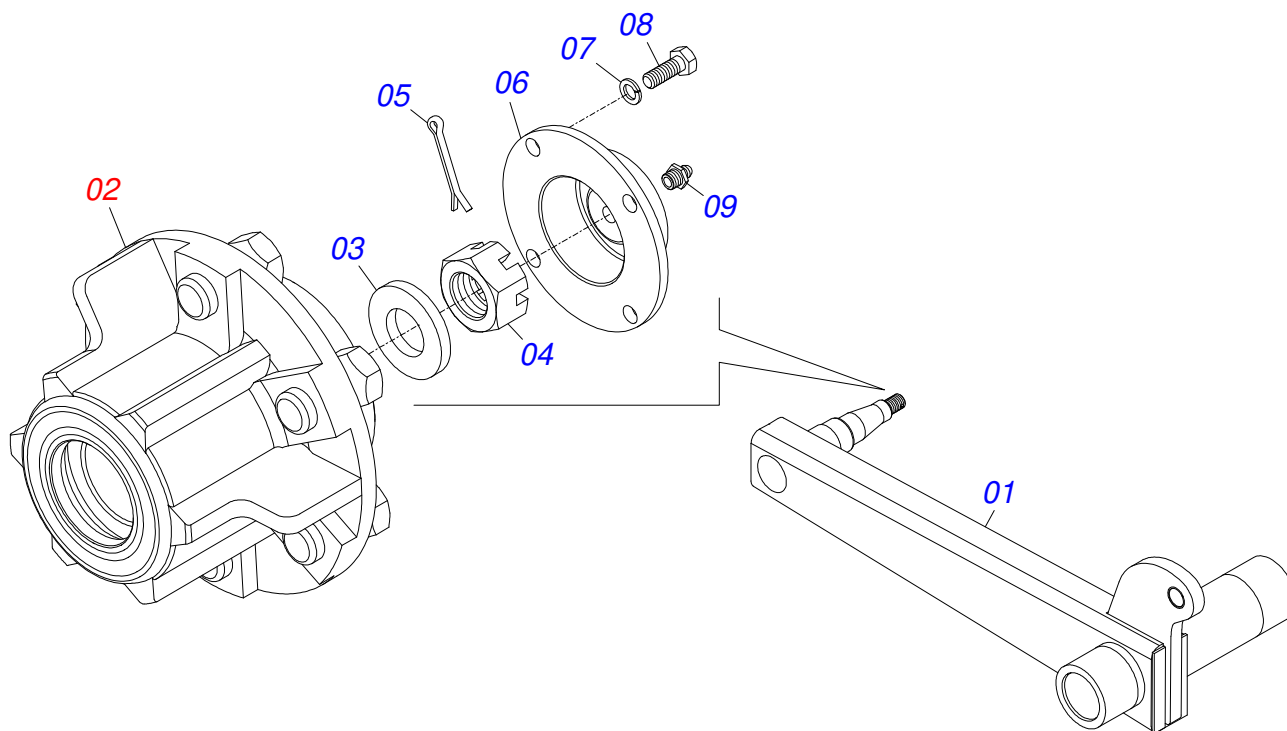
Item	Code	Description	See page	QT
26	0501010827	3/4" X 2-3/4" BOLT		06
27	0503010023	3/4" SPRING WASHER		06
28	0503010014	3/4" NUT		06
29	0503010002	1800 GREASE FITTING		04
30	0511057107	SHANKS SYSTEM WITHOUT SPRING	10	17
31	0501047895	ROD STOP		01
32	0501047885	ROD STOP		01
33	0501047886	ROD STOP		01
34	0501047887	ROD STOP		01
35	0503010901	3/4UNC 3.1/2 BOLT		08
36	0501010322	FLAT WASHER		08
37	0503011442	3/4" SPRING WASHER		40
38	0503010014	3/4" NUT		40
39	0501110568	MANCAL ARTICULAÇÃO DIREITA C/LUVA		02
39A	0502012509	RIGHT PIVOT BEARING		02

BREAKER ROLLER ARM ASSY

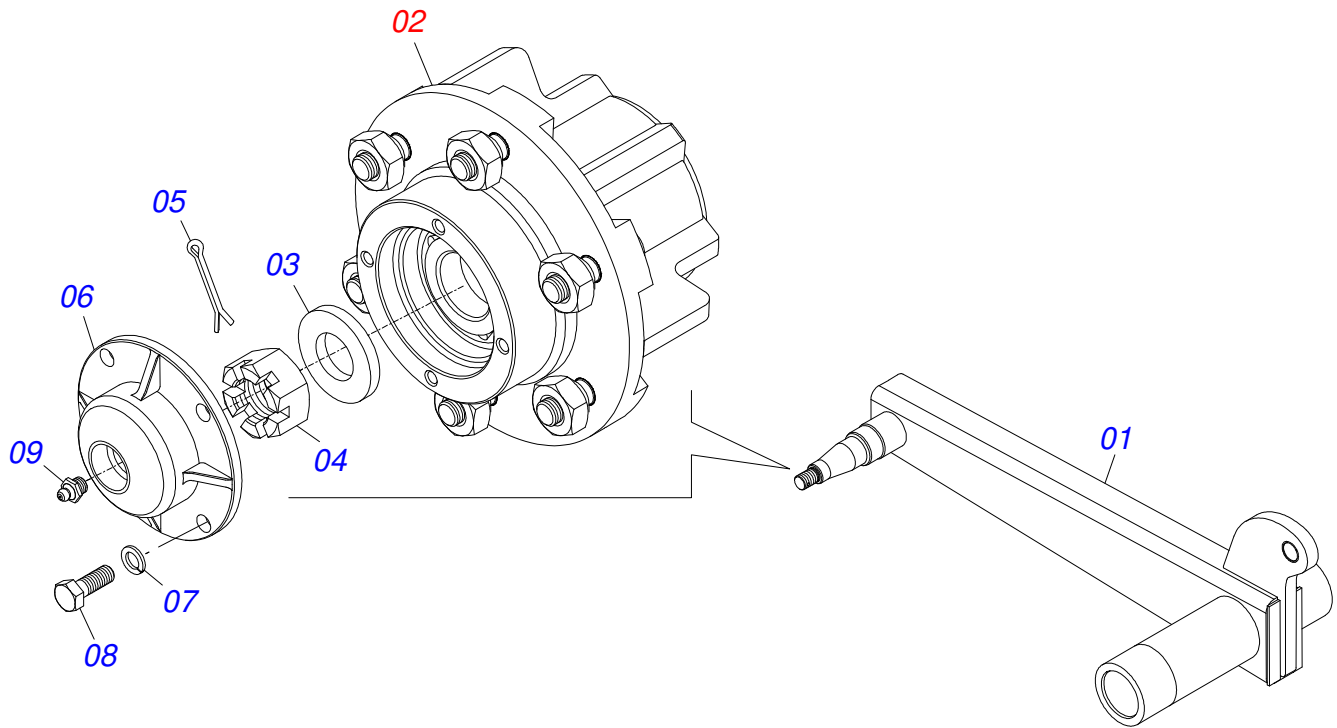


Item	Code	Description	See page	QT
001	0511064542	ROLO DEST 1800 AST/MATIC 550 7H		01
002	0511069433	BREAK ROLLER BRACKET		01
003	0531018575	ARRUELA CONCAVA 33,50X 140X 4,75		02
004	0531018574	EIXO 1.1/4 X 1840 AST/MATIC 550 7		01
005	0521065245	BREAK ROLLER SUPPORT		01
006	0501010100	5/8" UNC BOLT		04
007	0501012140	FLAT WASHER		04
008	0503010013	5/8" NUT		04
009	1902010835	1-1/4" EXTERNAL AXLE WASHER		04
010	0501010161	1/2" X 1.1/4" BOLT		02
011	0503011440	SPRING WASHER		02
012	0503010060	1/2" NUT		02
013	0501010455	1.1/4" NUT LOCK		02
014	0501058802	5/8 UNC X 2.3/4 BOLT ASSY		04
014A	0503015154	5/8" X 2.3/4" BOLT		01
014B	0501010947	5/8 NUT LOCK		01
014C	0503010013	5/8" NUT		02
014D	0501012140	FLAT WASHER		01
015	0501010087	1.1/4" NUT		02
016	0503011445	SPRING WASHER		04
017	0501046922	7.5" X 1-1/4" OIL BATH BEARING	7	02

LEFT CARRYING-WHEELS



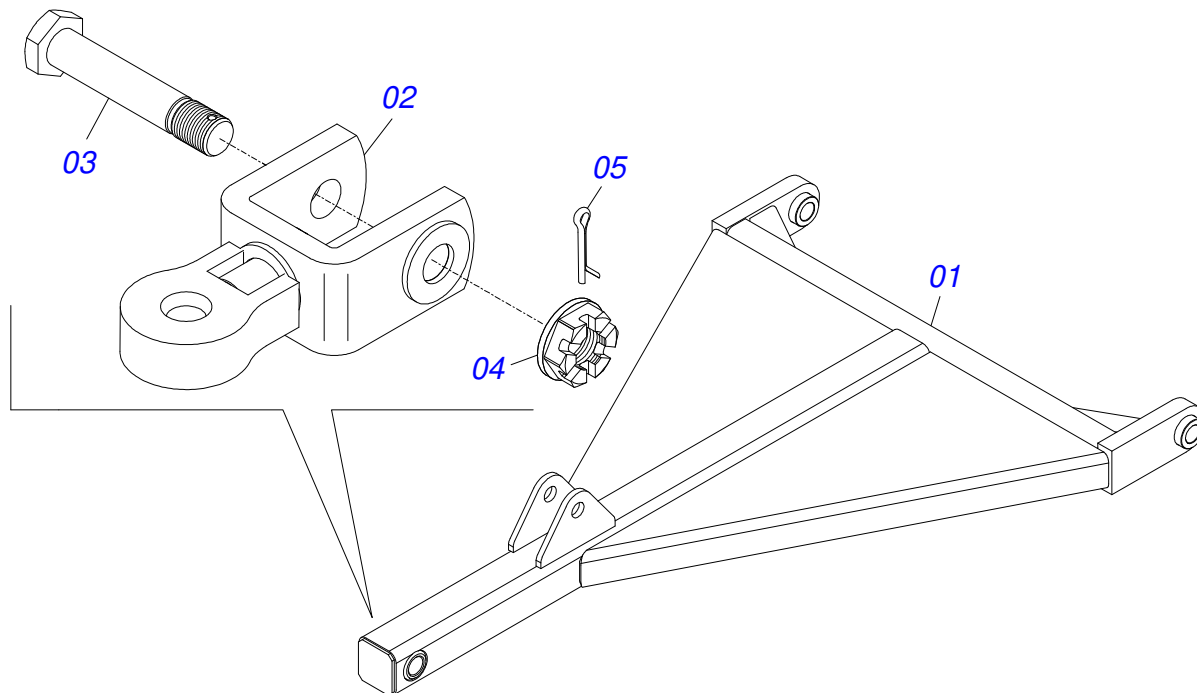
Item	Code	Description	See page	QT
01	0501068417	LEFT CARRYING-WHEELS		01
02	0501051142	CARRYING WHEEL HUB		01
03	0501016545	FLAT WASHER		01
04	0503030009	1" CASTLE NUT		01
05	0503010018	5/32 X 1-1/2 COTTERPIN		01
06	0502020591	PROTECCION COVER		01
07	0503011444	SPRING WASHER		04
08	0503010358	5/16" X 5/8" BOLT		04
09	0503010002	1800 GREASE FITTING		01



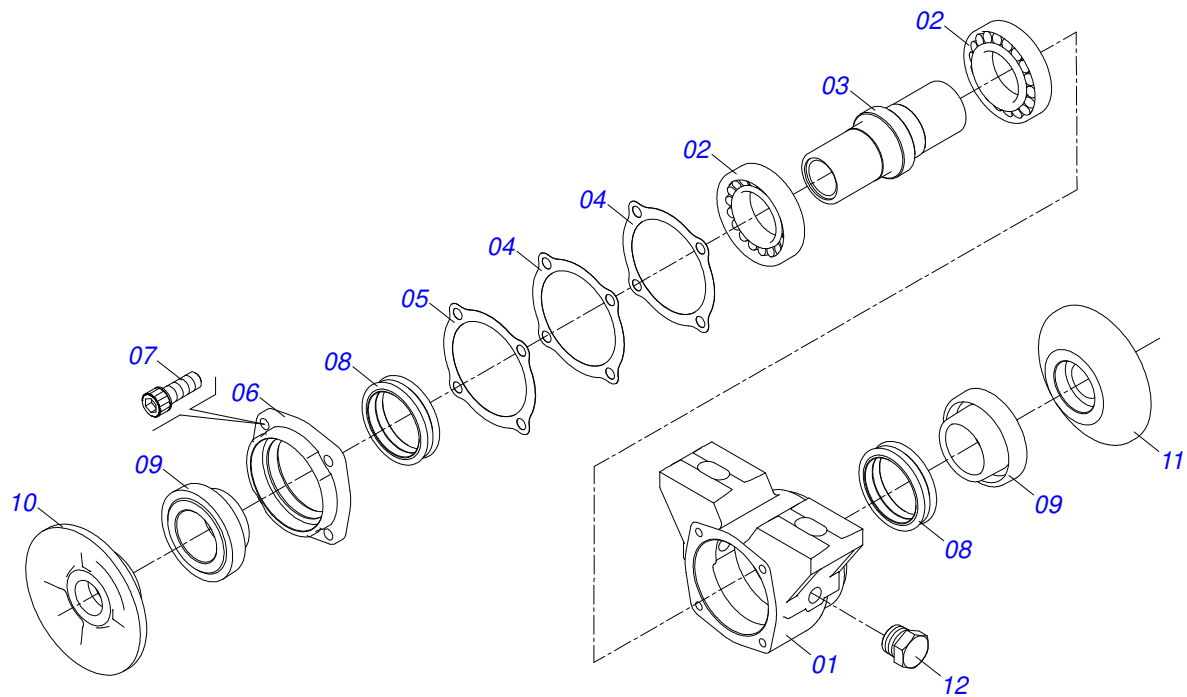
Item	Code	Description	See page	QT
01	0501068416	RIGHT CARRYING-WHEELS		01
02	0501051142	CARRYING WHEEL HUB		01
03	0501016545	FLAT WASHER		01
04	0503030009	1" CASTLE NUT		01
05	0503010018	5/32 X 1-1/2 COTTERPIN		01
06	0502020591	PROTECCION COVER		01
07	0503011444	SPRING WASHER		04
08	0503010358	5/16" X 5/8" BOLT		04
09	0503010002	1800 GREASE FITTING		01



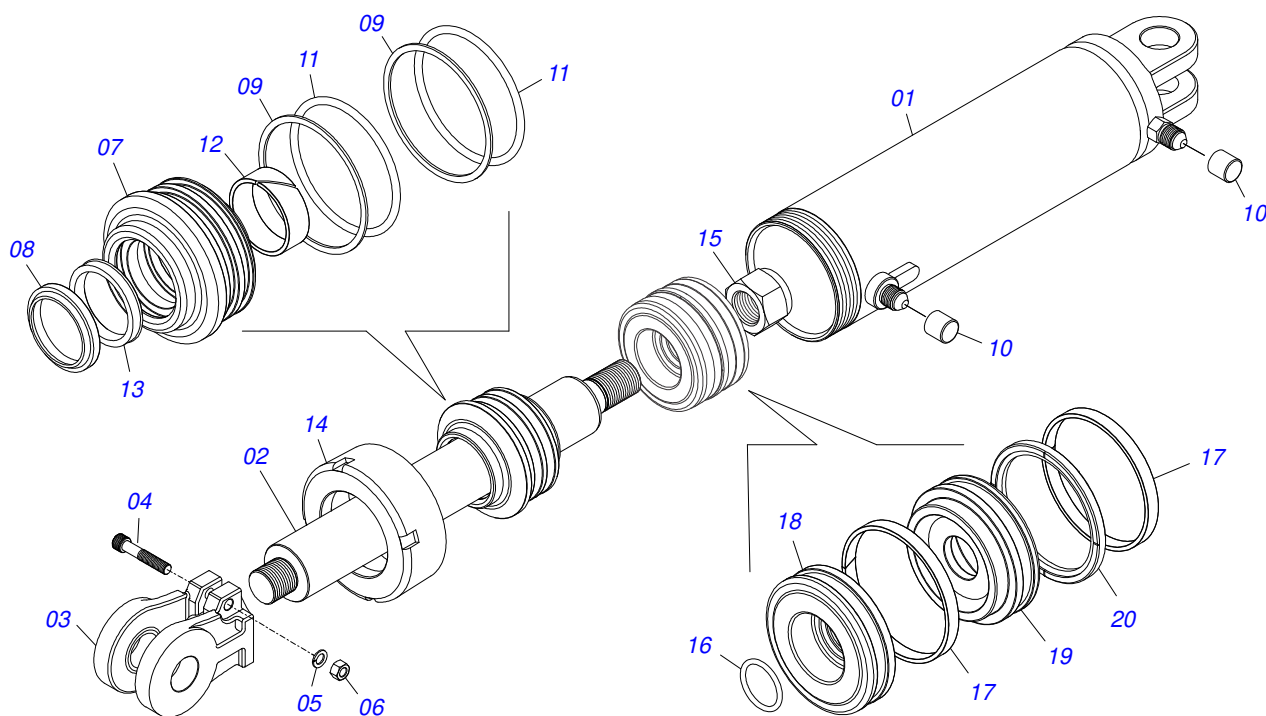
DRAWBAR ASSY



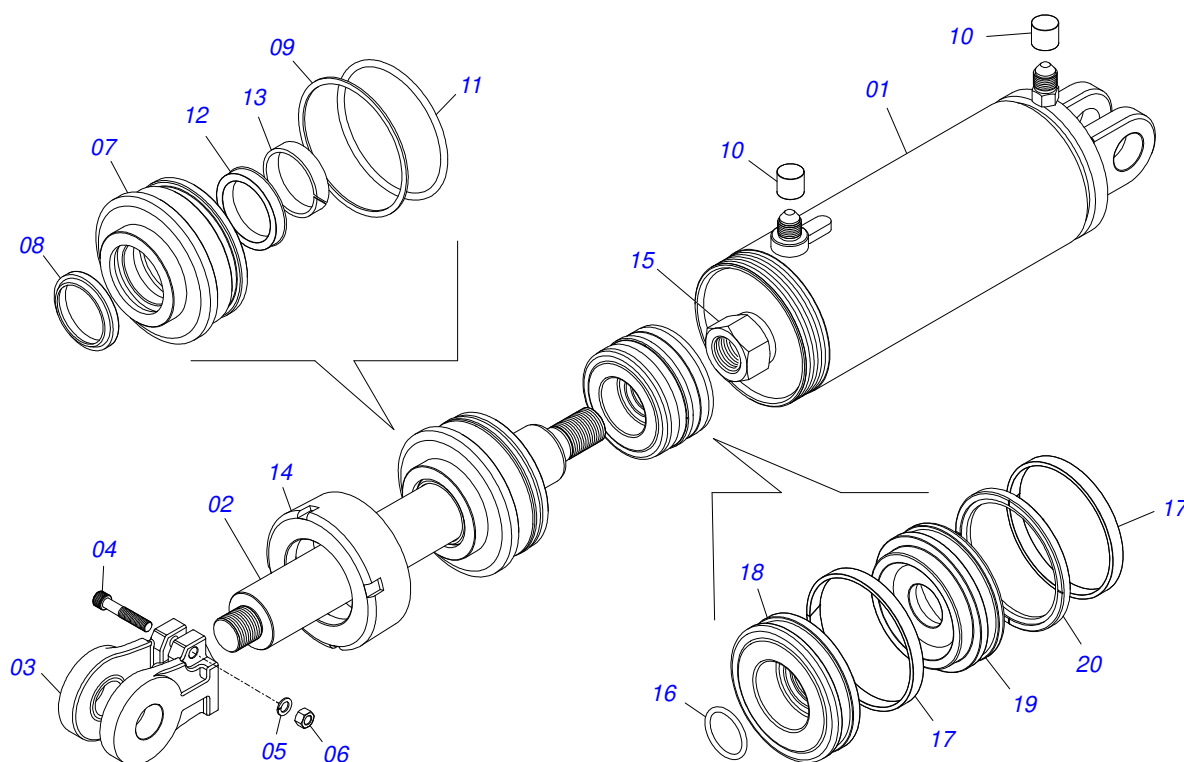
Item	Code	Description	See page	QT
01	0511062392	DRAWBAR		01
02	0501069684	TRACTOR HITCH		01
03	0501017291	1-1/2" X 8.1" BOLT		01
04	0501011301	1.1/2 UNC 6FPP 2.5/16 NUT		01
05	0503010010	1/4" X 2.1/2" COTTERPIN		01



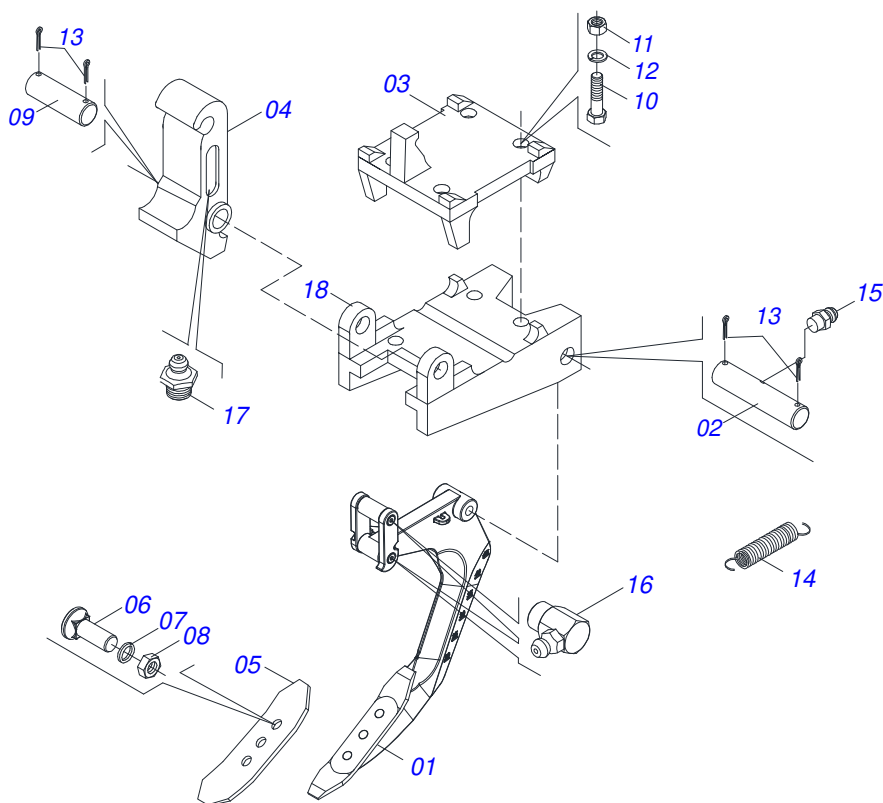
Item	Code	Description	See page	QT
01	0502010540	HOUSING DM		01
02	0503010111	30210 ROLLER BEARING		02
03	0502040218	AXLE		01
04	0503030013	4.4" X 3.5" X 0.004" JOINT		02
05	0503030684	4.4" X 3.5" X 0.004" JOINT		01
06	0502020424	HOUSING CAP		01
07	0503010134	3/8" X 1" BOLT		04
08	0503030026	SEAL LP JB-253		02
09	0502010541	SEAL RETAINER		02
10	0502010070	OUTER FLANGE		01
11	0502010071	INNER FLANGE		01
12	0503010856	OIL PLUG		01



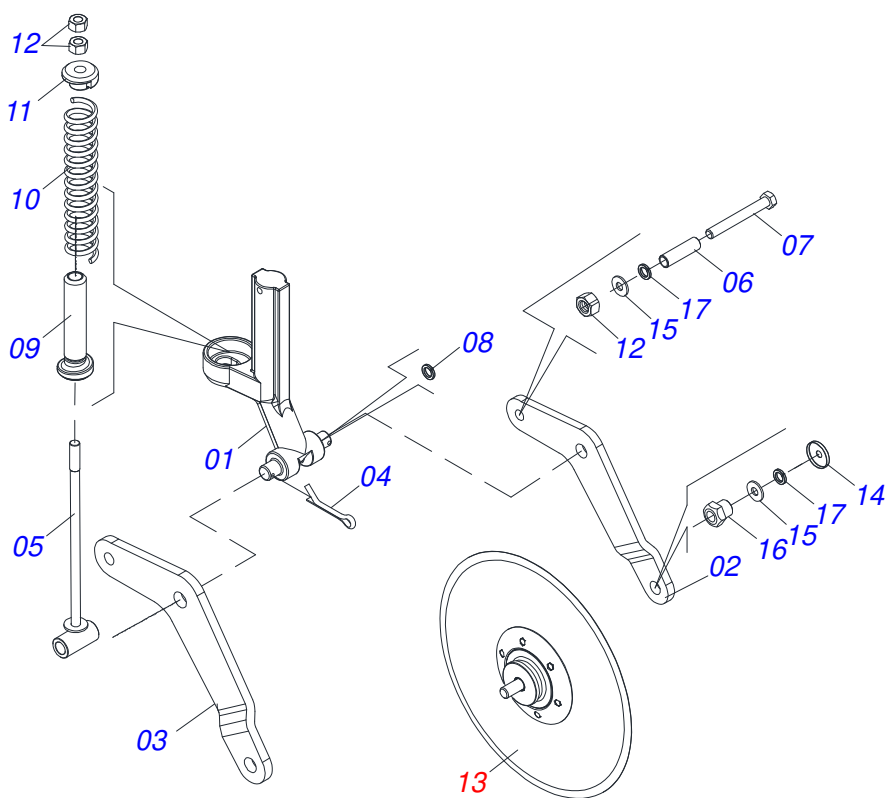
Item	Code	Description	See page	QT
01	0521066159	CYLINDER CASE		01
02	0571019558	HYDRAULIC CYLINDER TURNBUCKLE		01
03	0502040747	32.54 CLEVIS CLAMP		01
04	0503011094	3/8" X 2" BOLT		01
05	0503011443	3/8" SPRING WASHER		01
06	0503010026	3/8" NUT		01
07	0581010678	50,80 X 101 RING SUPPORT		01
08	0503015636	SCRAPER SEAL		01
09	0503011061	8-342 BACK-UP RING		02
10	0503030385	CYLINDER PLUG N-002		02
11	0503010338	2-342 N 3006-9B O'RING		02
12	0503018025	RING GUIDE		01
13	0503018026	1870-2000-375 B GASKET		01
14	0502012822	101.60 END CAP		01
15	0503010817	1.1/4" SELF LOCKING NUT		01
16	0503010345	2-218 N 3006-9B O'RING		01
17	0503017889	RING GUIDE		02
18	0581012600	PISTON		01
19	0581012599	PISTON		01
20	0503018651	SEALING		01



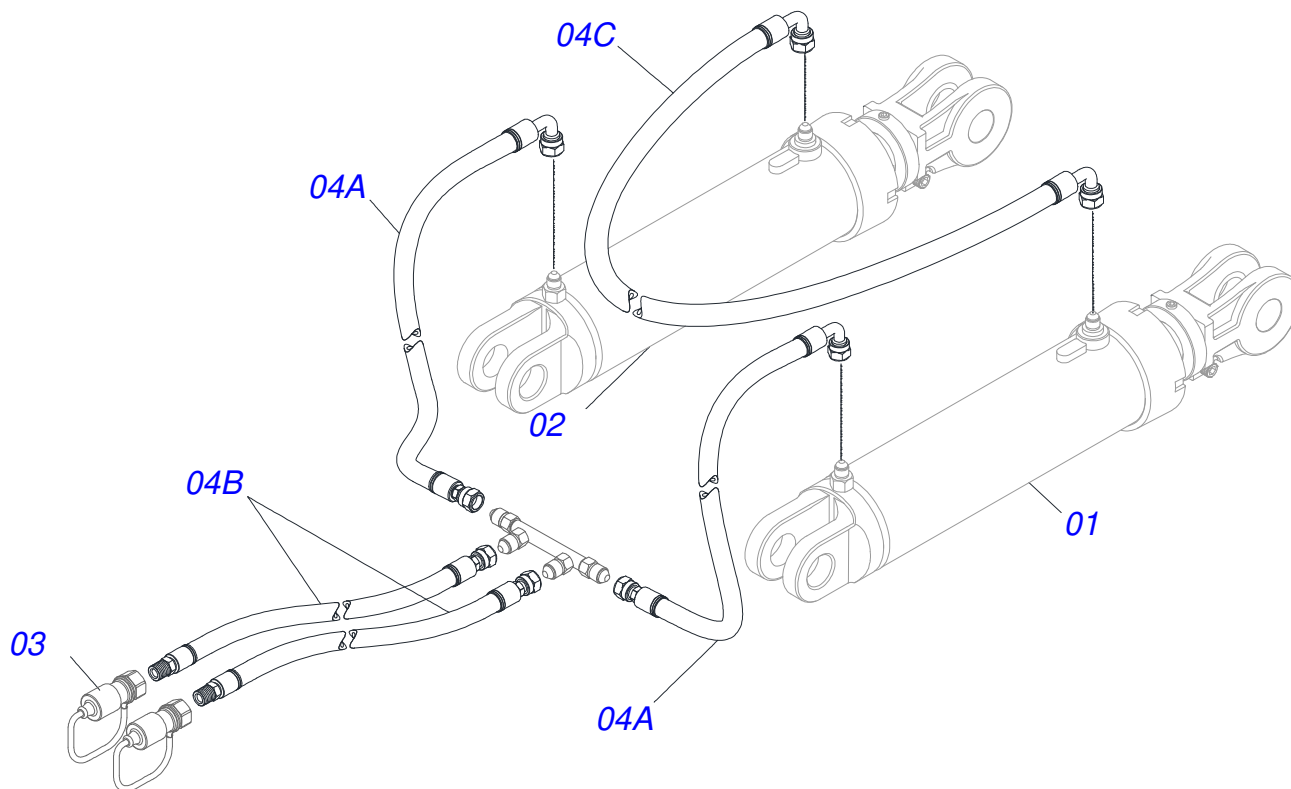
Item	Code	Description	See page	QT
01	0521066160	CYLINDER CASE		01
02	0571019558	HYDRAULIC CYLINDER TURNBUCKLE		01
03	0502040747	32.54 CLEVIS CLAMP		01
04	0503011094	3/8" X 2" BOLT		01
05	0503011443	3/8" SPRING WASHER		01
06	0503010026	3/8" NUT		01
07	0502011220	2" X 4.5" RING SUPPORT		01
08	0503015636	SCRAPER SEAL		01
09	0503011893	BACK-UP RING, 8-346		01
10	0503030385	CYLINDER PLUG N-002		02
11	0503011892	O' RING, 2-346 N 3006-9B		01
12	0503015635	U-CUP SEAL		01
13	0503015634	RING SLYDRING		01
14	0502011222	0.56" END CAP		01
15	0503010817	1.1/4" SELF LOCKING NUT		01
16	0503010345	2-218 N 3006-9B O'RING		01
17	0503017881	RING GUIDE		02
18	0581012603	PISTON 114.30 BP		01
19	0581012604	PISTON 114.30 BP		01
20	0503018652	SEAL		01



Item	Code	Description	See page	QT
001	0511061712	ARM SUBSOILER		01
002	0521017724	1" X 6.2" COUPLING SHAFT		01
003	1902011861	FIXER BASE UPPER		01
004	0502011864	AST/MATIC 450 RESET		01
005	0624010005	POINT SUBSOILER 16"X3"X1/2" E019		01
006	0503012956	1/2" X 1-1/2" BOLT		03
007	0503011440	SPRING WASHER		03
008	0503012682	1/2" BSW NUT		03
009	0521017725	1" X 7.4" COUPLING SHAFT		01
010	0503012729	3/4" X 6-3/4" BOLT		04
011	0503010014	3/4" NUT		04
012	0503011442	3/4" SPRING WASHER		04
013	0503010571	1/4" X 1.1/2 COTTERPIN		04
014	0503031574	6.9" X 0.8" X 0.1" EXTENSION SPRING		01
015	0503010002	1800 GREASE FITTING		01
016	0503010004	1890 GREASE FITTING		02
017	0503010691	1/4" GREASE FITTING		01
018	0502011863	LOWER BASE FIXER		01



Item	Code	Description	See page	QT
001	0502012025	BLADE DISC SUPPORT		01
002	0541019877	RIGHT ARM OF THE BLADE DISC		01
003	0541019878	LEFT ARM OF THE BLADE DISC		01
004	0503010571	1/4" X 1.1/2 COTTERPIN		02
005	0511060915	ROD SPRING		01
006	0521010452	SLEEVE		01
007	0503011198	C3/4" X 6" SCREW		01
008	0503011442	3/4" SPRING WASHER		01
009	0511061576	SPRING GUIDE		01
010	0503031679	COMPRES SPRING		01
011	1902020393	SPRING UPPER SUPPORT		01
012	0503010014	3/4" NUT		03
013	0501056436	DISC BLADE HUB ASSY		01
014	0521015376	DUST CLOAK		02
015	0511015346	FLAT WASHER		02
016	0521013510	3/4" NUT		02
017	0503011438	SPRING WASHER		02



Item	Code	Description	See page	QT
01	0521045631	HYDRAULIC CYLINDER	9	01
02	0521045632	HYDRAULIC CYLINDER	8	01
03	0501053834	MALE QUICK COUPLER WITH CAP - 1/2 NPT		02
04	0501052886	HOSE KIT		01
04A	0501080431	TR-TC HOSE ASSY		02
04B	0501080384	TR-TM HOSE ASSY		02
04C	0501080578	TC-TC HOSE ASSY		01
04D	0503033158	PLASTIC BAG		01







[www.marchesan.com.br](http://www.marchesan.com.br)



**Technical Publications | Elaboration and Revision**  
LORENA ROCHA ALVES