

PARTS CATALOGUE



SUBSOILER PLOW

Code:

0501092709

Product:

AST/MATIC 450 13H DC RD



Series:

S-0814

Revision:

00

Date Revision:

ABRIL/2020



PRODUCTS

Code	Description
0101170163	AST/MATIC 450 13H DC RD S-0814
0101170162	AST/MATIC 450 13H RD S-0814

ATTENTION: IMPORTANT

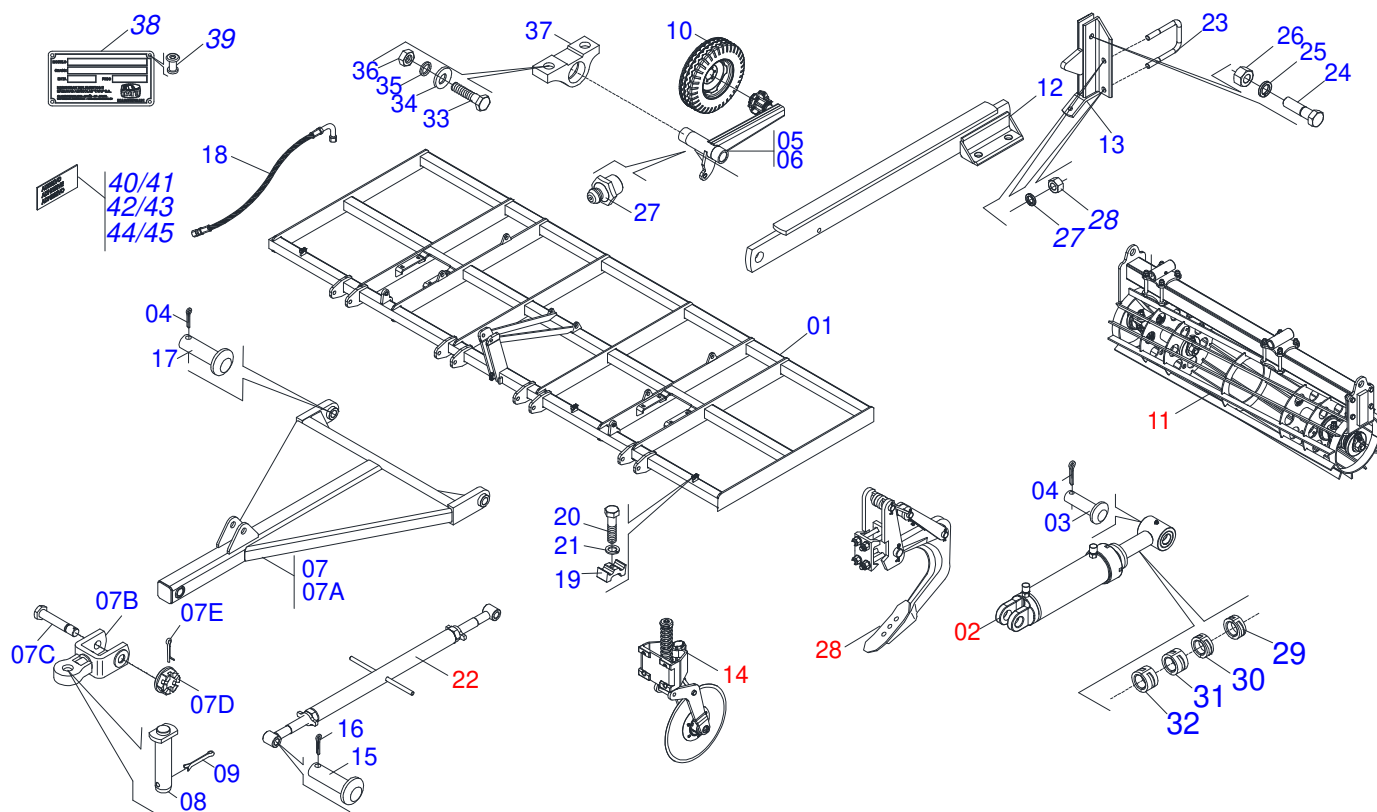
Marchesan S.A. reserves the right to improve and / or modify the technical features of its products, without obligation to do the same with those products already sold and without prior knowledge of the dealer or the consumer.



MARCHESAN

INDEX

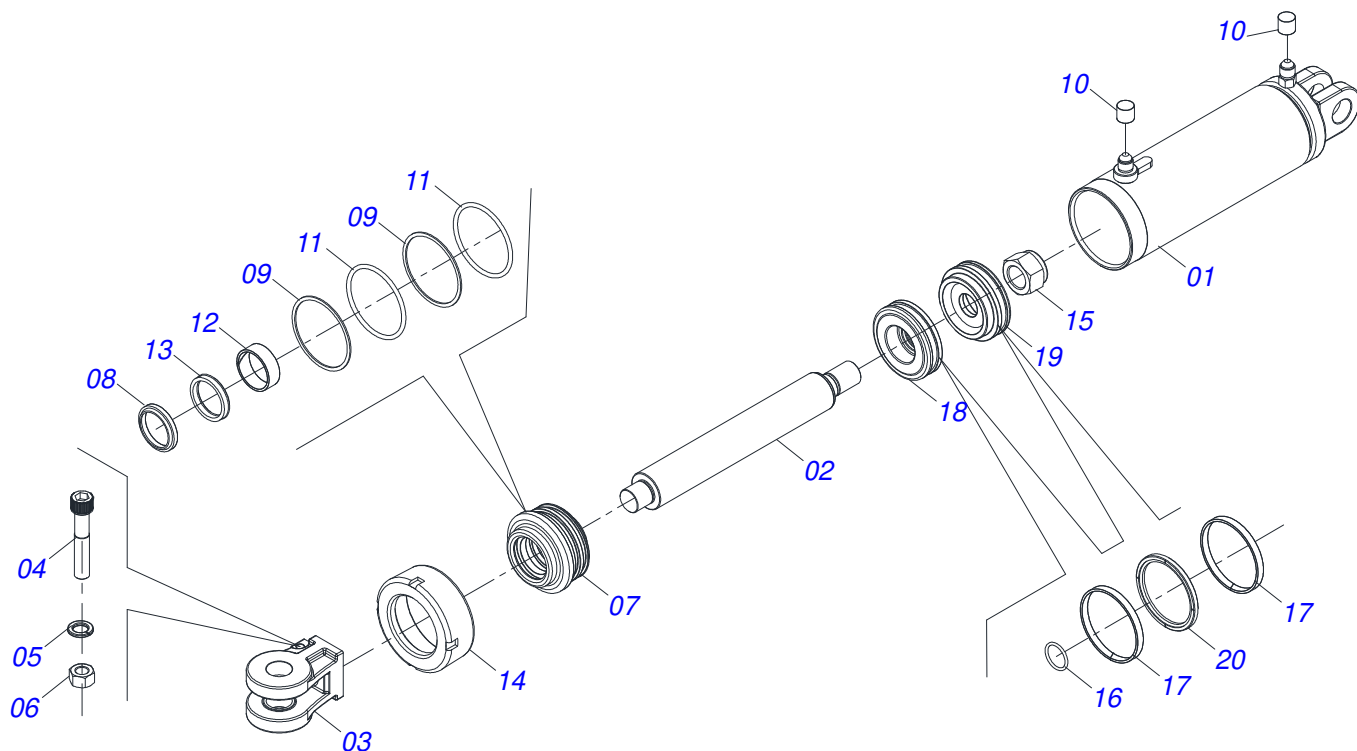
0909098919	FRAME	1
0521045631	HYDRAULIC CYLINDER	2
0521045632	HYDRAULIC CYLINDER	3
0501051008	LEFT CARRYING-WHEELS	4
0501051007	RIGHT CARRYING-WHEELS	5
0511040026	DRAWBAR ASSY	6
0503062010	750 X 16-12L ASSY WHEEL AND TIRE	7
0521044683	BREAKER ROLLER ARM ASSY	8
0501053706	SUPPORT WITH BLADE DISC	9
0501046935	SHANKS SYSTEM ASSY AST/MATIC 450	10
0501052930	ESTABILIZER DRAWBAR ASSY	11
0501046922	7.5" X 1-1/4" OIL BATH BEARING	12
0909098912	HYDRAULIC CIRCUIT	13



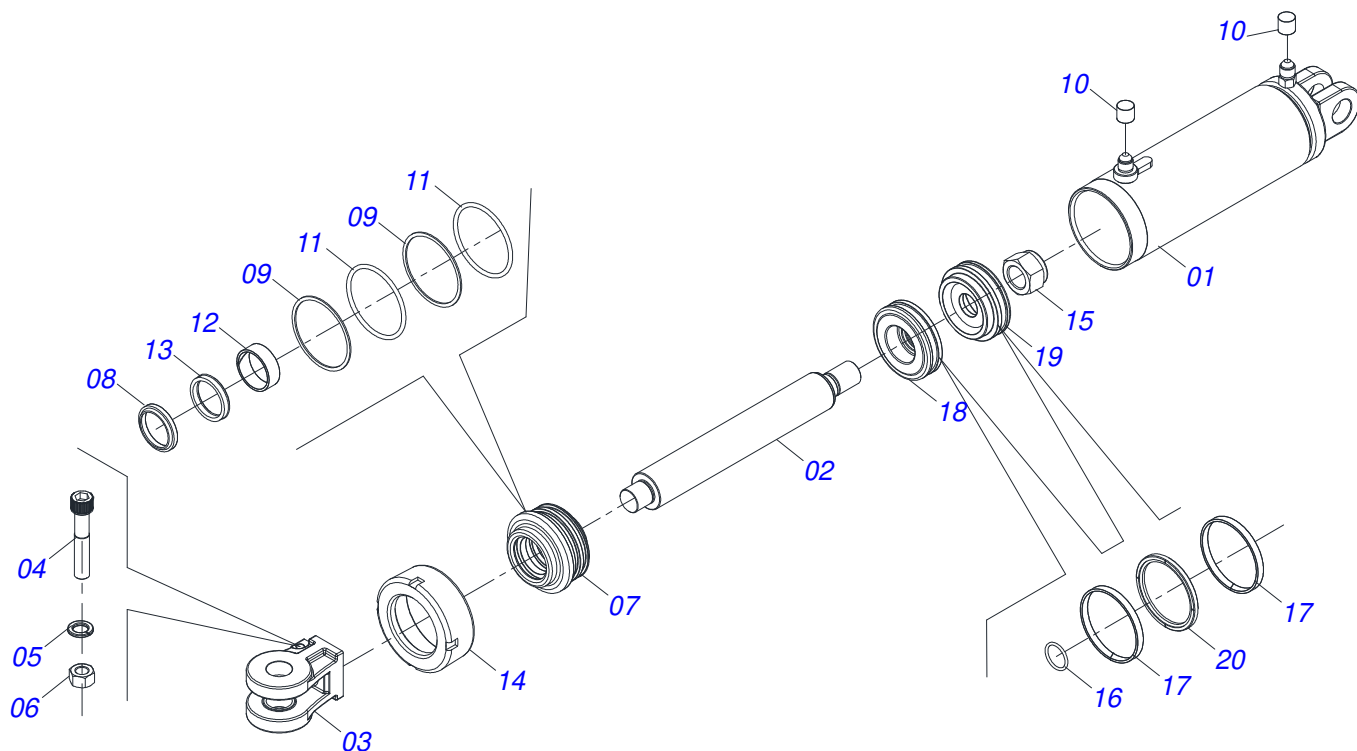
Item	Code	Description	See page	QT
01	0511061907	FRAME		01
02	0521045631	HYDRAULIC CYLINDER	2	01
02.	0521045632	HYDRAULIC CYLINDER	3	01
03	0521012538	1.2" X 3.5" COUPLING SHAFT		04
04	0503010523	1/4" X 2" COTTERPIN		08
05	0501051008	LEFT CARRYING-WHEELS	4	01
06	0501051007	RIGHT CARRYING-WHEELS	5	01
07	0511040026	DRAWBAR ASSY	6	01
07A	0511062392	DRAWBAR		01
07B	0501069684	TRACTOR HITCH		01
07C	0501017291	1-1/2" X 8.1" BOLT		01
07D	0501011301	1.1/2 UNC 6FPP 2.5/16 NUT		01
07E	0503010010	1/4" X 2.1/2" COTTERPIN		01
08	0521812538	COUPLING SHAFT		01
09	0503010523	1/4" X 2" COTTERPIN		01
10	0503062010	750 X 16-12L ASSY WHEEL AND TIRE	7	02
11	0521044683	BREAKER ROLLER ARM ASSY	8	03
12	0511065378	BREAK ROLLER ARM		06
13	0501068437	BREAK ROLLER SUPPORT FIXATION		06
14	0501053706	SUPPORT WITH BLADE DISC	9	13
15	0511011887	COUPLING SHAFT		02
16	0503010571	1/4" X 1.1/2 COTTERPIN		08
17	0521012536	COUPLING SHAFT		02
18	0909098912	HYDRAULIC CIRCUIT	13	01
19	0502012702	BODY SUPPORT CLAMP		03
20	0503012555	7/16" X 2" BOLT		03
21	0503010180	7/16" SPRING WASHER		03
22	0501052930	ESTABILIZER DRAWBAR ASSY	11	01
23	0521014574	3/4" FASTENE		38
24	0501010827	3/4" X 2-3/4" BOLT		06
25	0503010023	3/4" SPRING WASHER		94



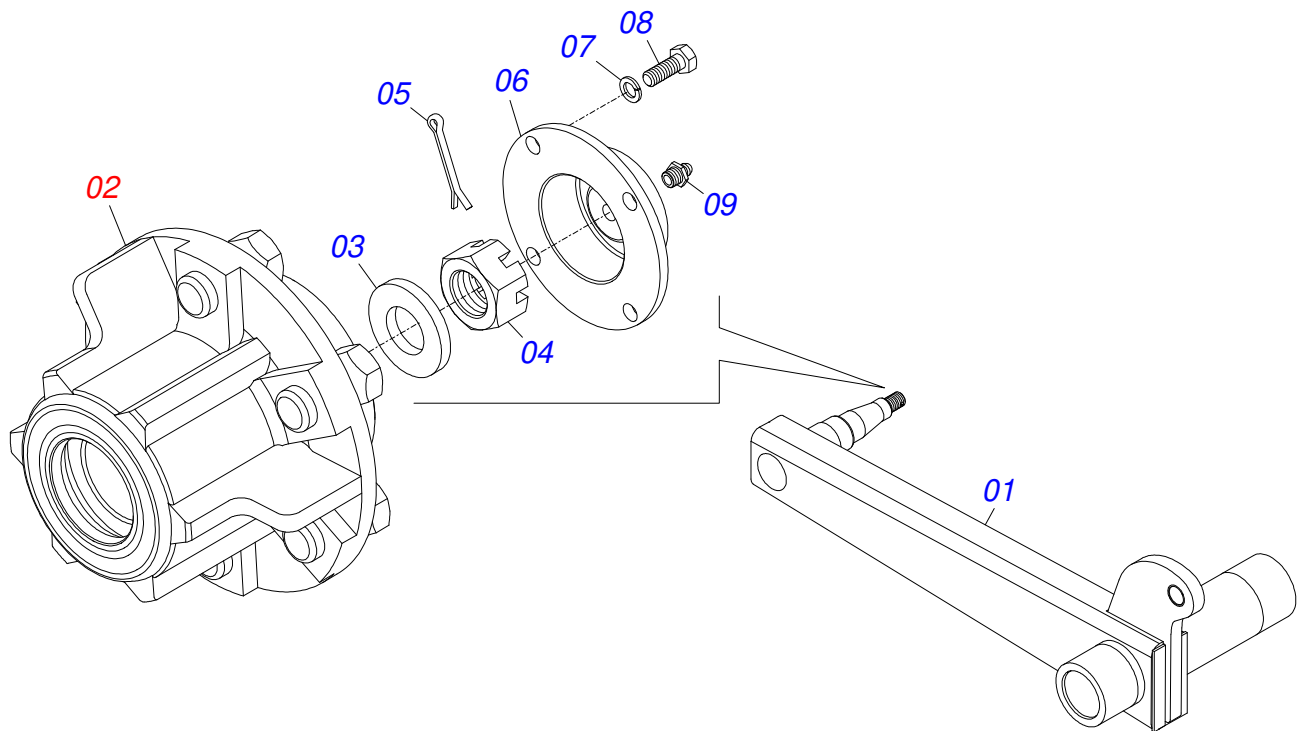
Item	Code	Description	See page	QT
26	0503010014	3/4" NUT		94
27	0503010002	1800 GREASE FITTING		04
28	0511043789	SHANKS SYSTEM ASSY		13
29	0501047895	ROD STOP		01
30	0501047885	ROD STOP		01
31	0501047886	ROD STOP		01
32	0501047887	ROD STOP		01
33	0503010901	3/4UNC 3.1/2 BOLT		08
34	0501010322	FLAT WASHER		08
35	0503011442	3/4" SPRING WASHER		40
36	0503010014	3/4" NUT		40
37	0501110563	MANCAL ARTICULAÇÃO ESQUERDA C/LUVA		02
37.	0501110568	MANCAL ARTICULAÇÃO DIREITA C/LUVA		02
38	0503034003	SERIAL NUMBER TAG 61 X 118		01
39	0503010001	3.2 X 5.5 RIVET		04
40	0503031087	ADHESIVE LABEL		01
41	0503031428	READ MANUAL DECAL		01
42	0503031827	LUBRICATE AND RETIGHTEN DAILY DECAL		01
43	0503031803	IMPORTANT ADHESIVE STICKER		01
44	0503033795	ADHESIVE LABEL		02
45	0503033794	ADHESIVE		02



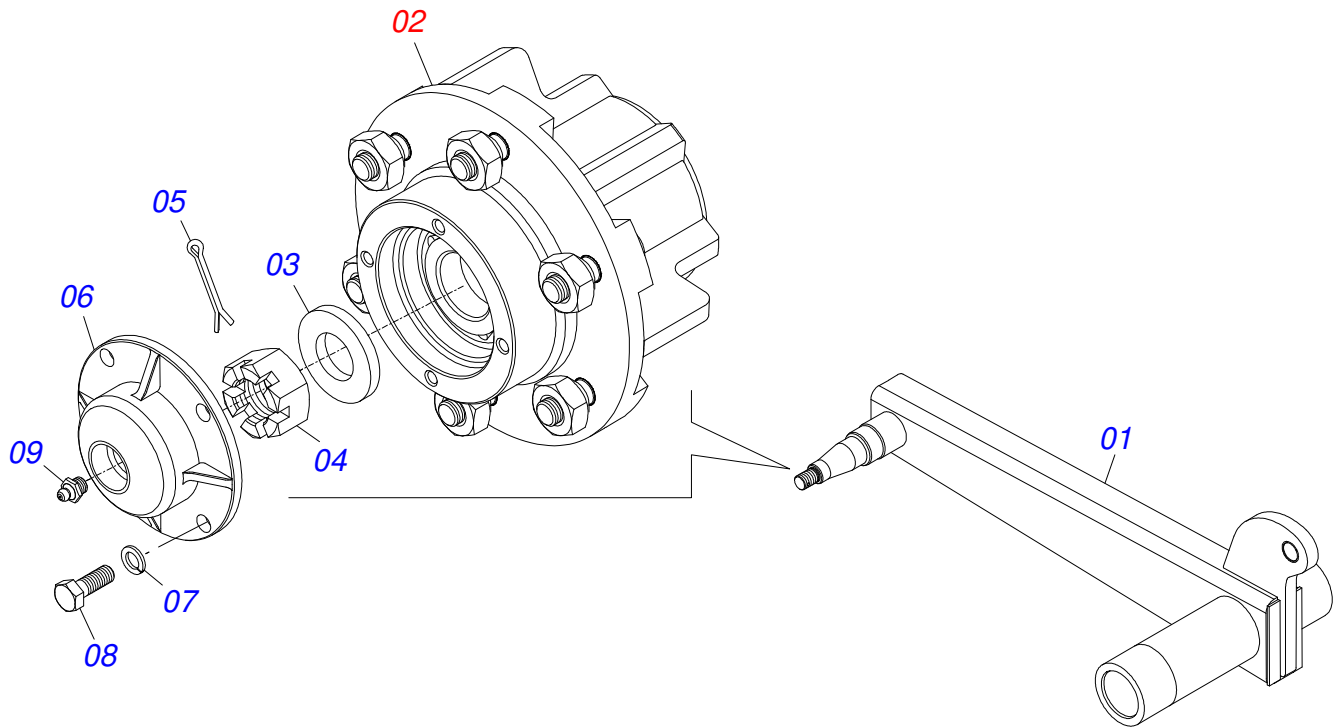
Item	Code	Description	See page	QT
01	0521066160	CYLINDER CASE		01
02	0571019558	HYDRAULIC CYLINDER TURNBUCKLE		01
03	0502040747	32.54 CLEVIS CLAMP		01
04	0503011094	3/8" X 2" BOLT		01
05	0503011443	3/8" SPRING WASHER		01
06	0503010026	3/8" NUT		01
07	0502011220	2" X 4.5" RING SUPPORT		01
08	0503015636	SCRAPER SEAL		01
09	0503011893	BACK-UP RING, 8-346		01
10	0503030385	CYLINDER PLUG N-002		02
11	0503011892	O' RING, 2-346 N 3006-9B		01
12	0503015635	U-CUP SEAL		01
13	0503015634	RING SLYDRING		01
14	0502011222	0.56" END CAP		01
15	0503010817	1.1/4" SELF LOCKING NUT		01
16	0503010345	2-218 N 3006-9B O'RING		01
17	0503017881	RING GUIDE		02
18	0581012603	PISTON 114.30 BP		01
19	0581012604	PISTON 114.30 BP		01
20	0503018652	SEAL		01



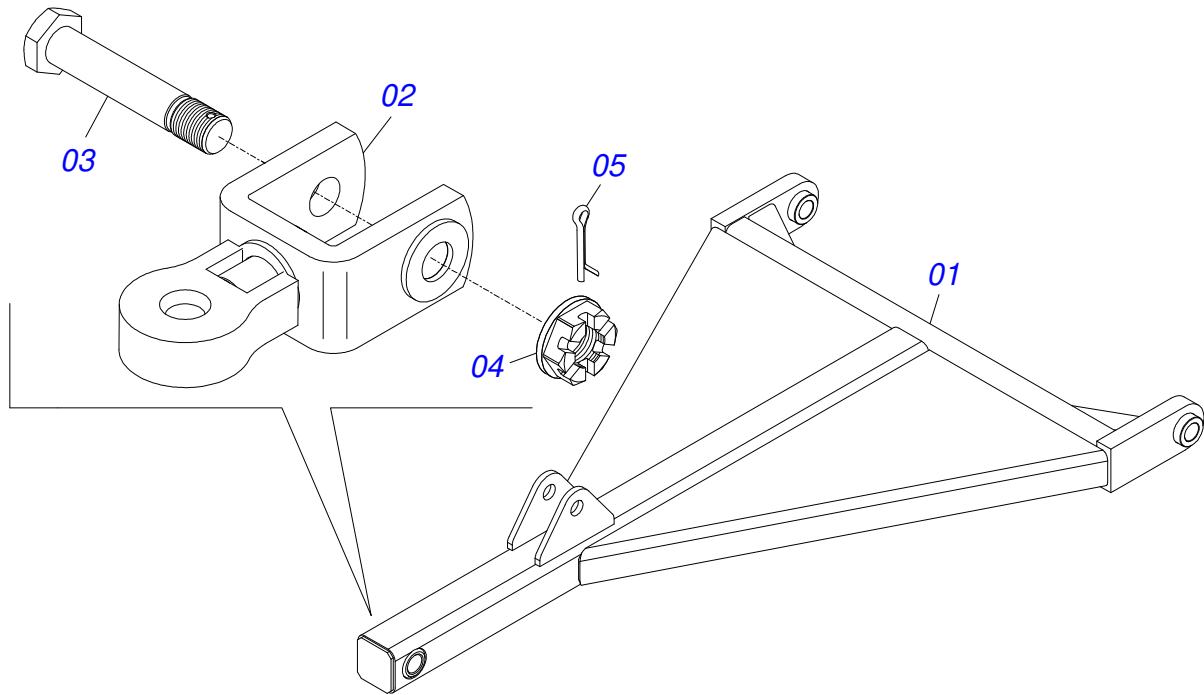
Item	Code	Description	See page	QT
01	0521066159	CYLINDER CASE		01
02	0571019558	HYDRAULIC CYLINDER TURNBUCKLE		01
03	0502040747	32.54 CLEVIS CLAMP		01
04	0503011094	3/8" X 2" BOLT		01
05	0503011443	3/8" SPRING WASHER		01
06	0503010026	3/8" NUT		01
07	0581010678	50,80 X 101 RING SUPPORT		01
08	0503015636	SCRAPER SEAL		01
09	0503011061	8-342 BACK-UP RING		02
10	0503030385	CYLINDER PLUG N-002		02
11	0503010338	2-342 N 3006-9B O'RING		02
12	0503018025	RING GUIDE		01
13	0503018026	1870-2000-375 B GASKET		01
14	0502012822	101.60 END CAP		01
15	0503010817	1.1/4" SELF LOCKING NUT		01
16	0503010345	2-218 N 3006-9B O'RING		01
17	0503017889	RING GUIDE		02
18	0581012600	PISTON		01
19	0581012599	PISTON		01
20	0503018651	SEALING		01



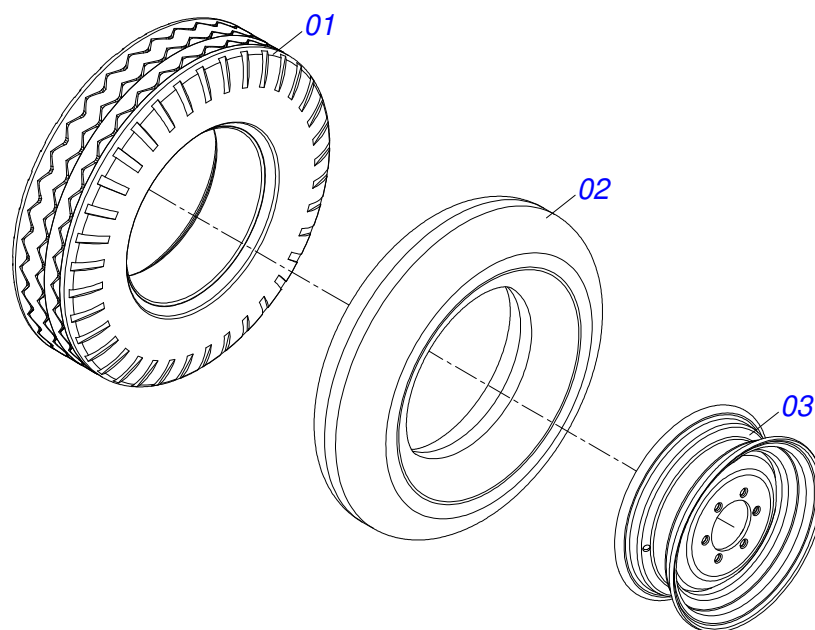
Item	Code	Description	See page	QT
01	0501068417	LEFT CARRYING-WHEELS		01
02	0501051142	CARRYING WHEEL HUB		01
03	0501016545	FLAT WASHER		01
04	0503030009	1" CASTLE NUT		01
05	0503010018	5/32 X 1-1/2 COTTERPIN		01
06	0502020591	PROTECCION COVER		01
07	0503011444	SPRING WASHER		04
08	0503010358	5/16" X 5/8" BOLT		04
09	0503010002	1800 GREASE FITTING		01



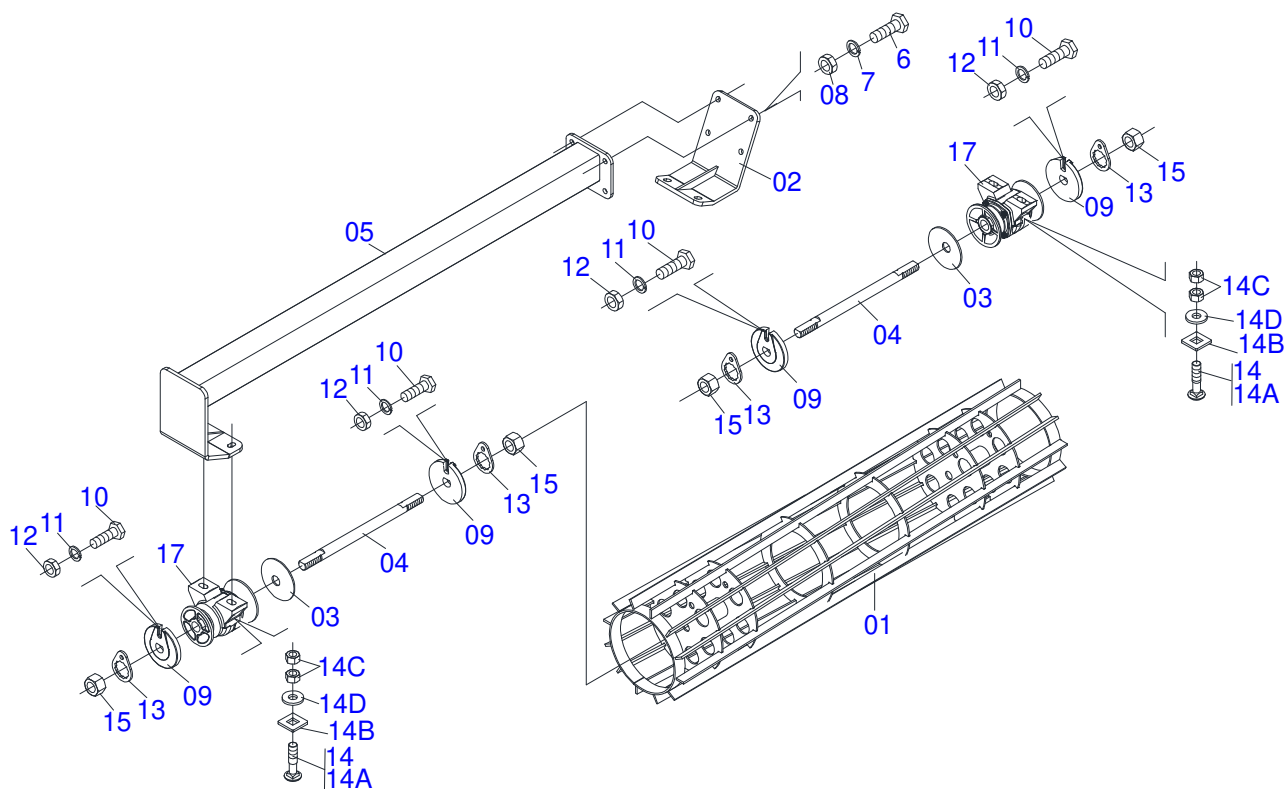
Item	Code	Description	See page	QT
01	0501068416	RIGHT CARRYING-WHEELS		01
02	0501051142	CARRYING WHEEL HUB		01
03	0501016545	FLAT WASHER		01
04	0503030009	1" CASTLE NUT		01
05	0503010018	5/32 X 1-1/2 COTTERPIN		01
06	0502020591	PROTECCION COVER		01
07	0503011444	SPRING WASHER		04
08	0503010358	5/16" X 5/8" BOLT		04
09	0503010002	1800 GREASE FITTING		01



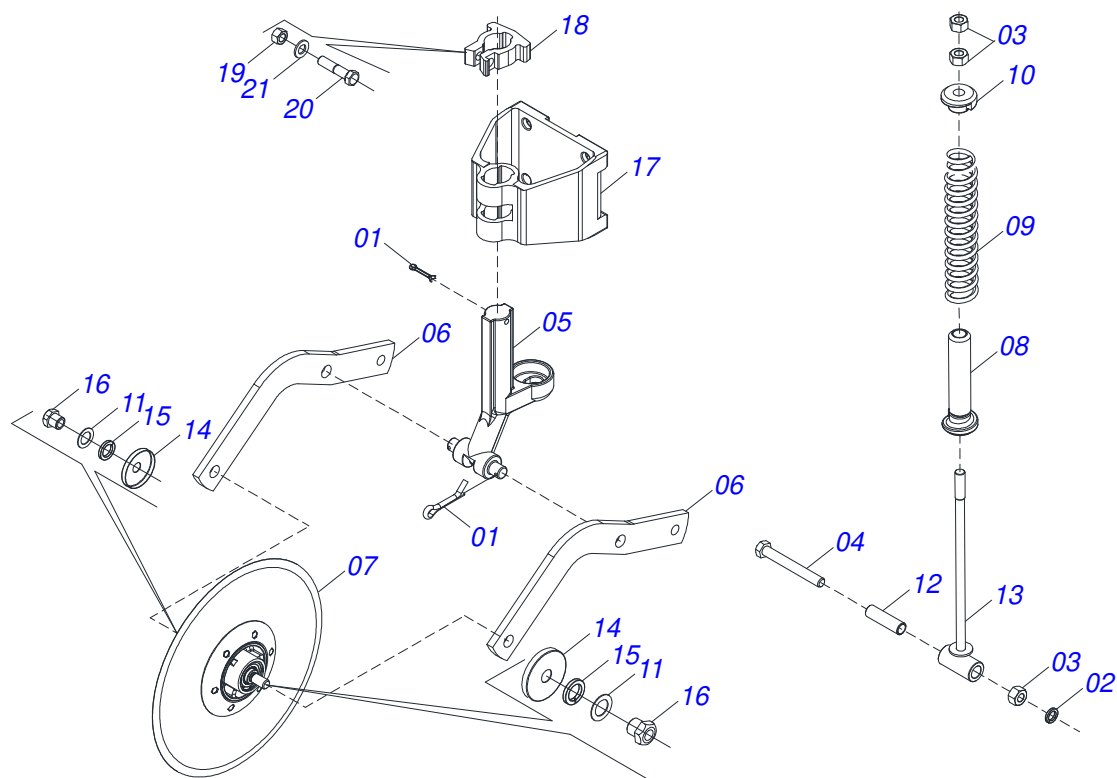
Item	Code	Description	See page	QT
01	0511062392	DRAWBAR		01
02	0501069684	TRACTOR HITCH		01
03	0501017291	1-1/2" X 8.1" BOLT		01
04	0501011301	1.1/2 UNC 6FPP 2.5/16 NUT		01
05	0503010010	1/4" X 2.1/2" COTTERPIN		01



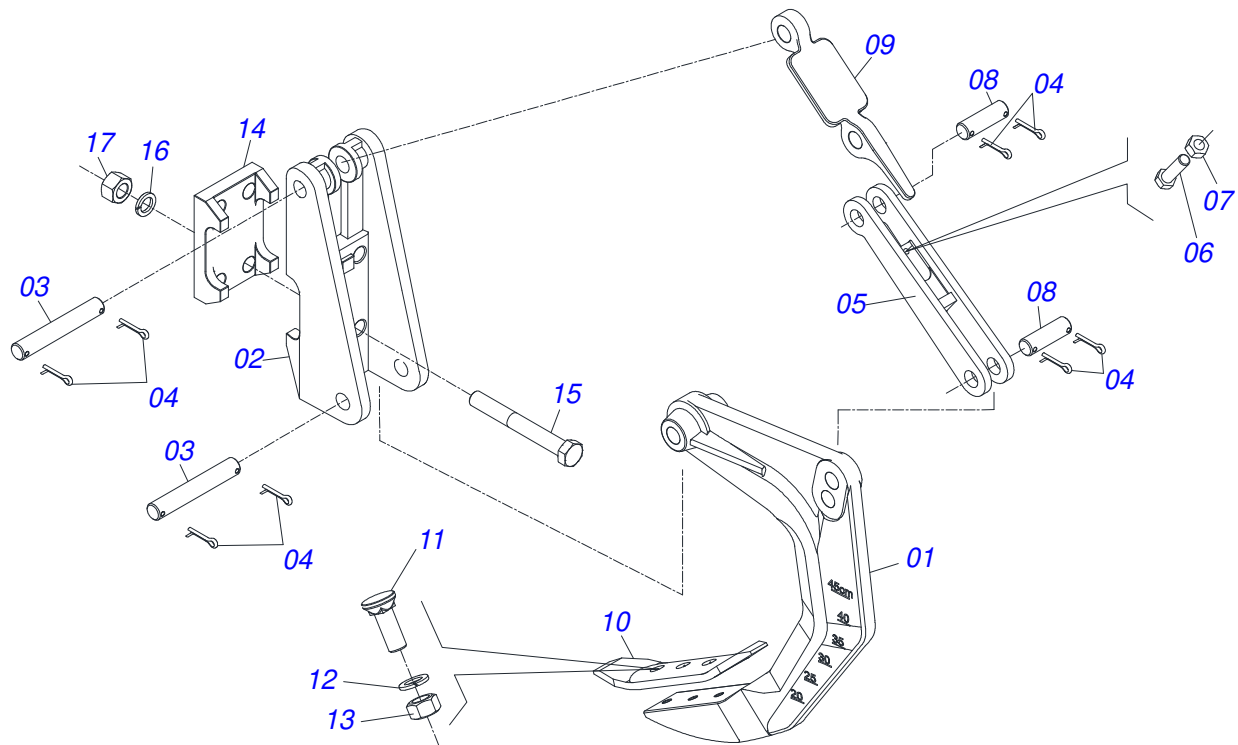
Item	Code	Description	See page	QT
01	0503012864	TYRE		01
02	0503010033	7.50 X 16 INNER TIRE		01
03	0521062708	WHEEL 5,50 X 16 X 118 X 6F 16,50 X 152,40		01



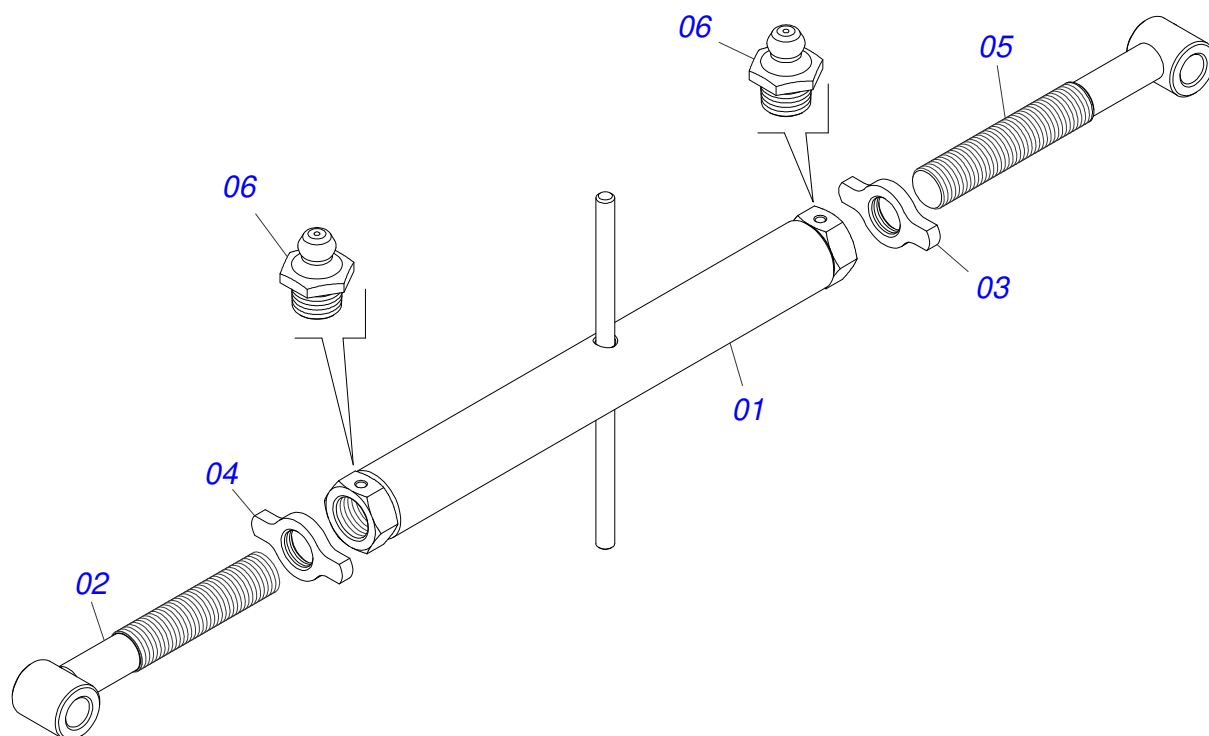
Item	Code	Description	See page	QT
001	0511064542	ROLO DEST 1800 AST/MATIC 550 7H		01
002	0511069433	BREAK ROLLER BRACKET		01
003	0531018575	ARRUELA CONCAVA 33,50X 140X 4,75		02
004	0531018574	EIXO 1.1/4 X 1840 AST/MATIC 550 7		01
005	0521065245	BREAK ROLLER SUPPORT		01
006	0501010100	5/8" UNC BOLT		04
007	0501012140	FLAT WASHER		04
008	0503010013	5/8" NUT		04
009	1902010835	1-1/4" EXTERNAL AXLE WASHER		04
010	0501010161	1/2" X 1.1/4" BOLT		02
011	0503011440	SPRING WASHER		02
012	0503010060	1/2" NUT		02
013	0501010455	1.1/4" NUT LOCK		02
014	0501058802	5/8 UNC X 2.3/4 BOLT ASSY		04
014A	0503015154	5/8" X 2.3/4" BOLT		01
014B	0501010947	5/8 NUT LOCK		01
014C	0503010013	5/8" NUT		02
014D	0501012140	FLAT WASHER		01
015	0501010087	1.1/4" NUT		02
016	0503011445	SPRING WASHER		04
017	0501046922	7.5" X 1-1/4" OIL BATH BEARING	12	02



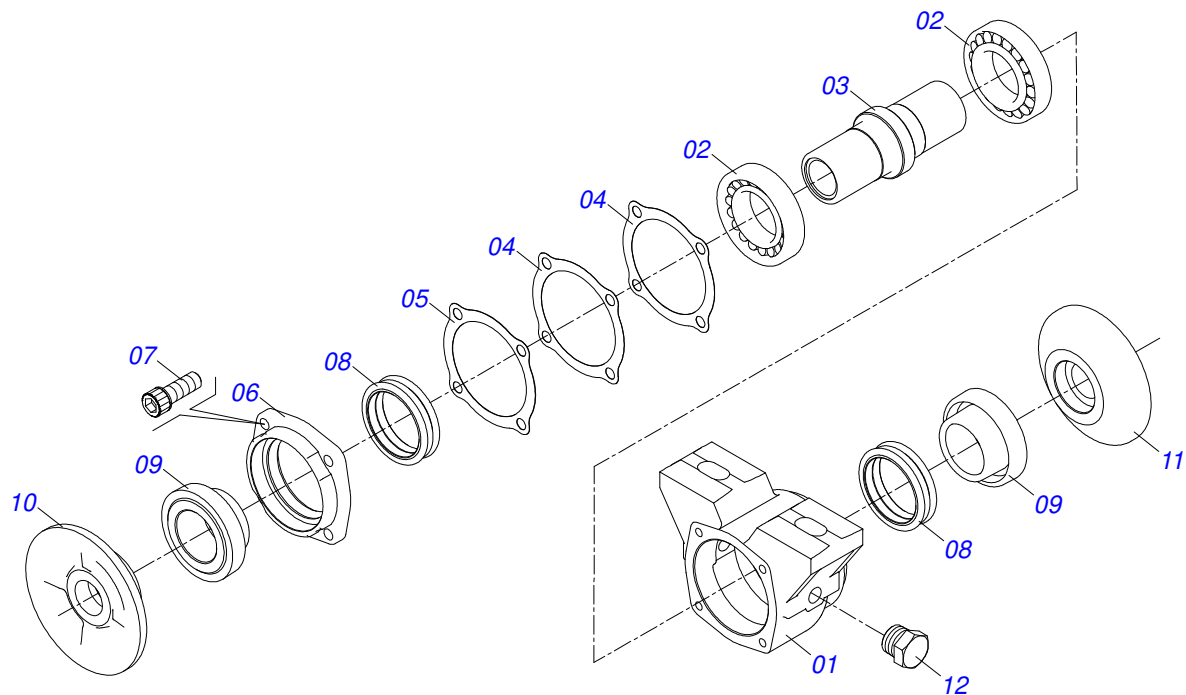
Item	Code	Description	See page	QT
01	0503010571	1/4" X 1.1/2 COTTERPIN	02	
02	0503011442	3/4" SPRING WASHER	01	
03	0503010014	3/4" NUT	03	
04	0503011198	C3/4" X 6" SCREW	01	
05	0502012025	BLADE DISC SUPPORT	01	
06	0521019800	BLADE DISC BREAK	02	
07	0501052139	18 BLADE DISC WITH FLAT PLAN DISC	01	
08	0511061576	SPRING GUIDE	01	
09	0503031679	COMPRES SPRING	01	
10	1902020393	SPRING UPPER SUPPORT	01	
11	0511015346	FLAT WASHER	02	
12	0521010452	SLEEVE	01	
13	0511060915	ROD SPRING	01	
14	0521015376	DUST CLOAK	02	
15	0503011438	SPRING WASHER	02	
16	0521013510	3/4" NUT	02	
17	0502012026	BLADE DISC FIXER SUPPORT	01	
18	1902012024	FIXER SUPPORT BUSHING	01	
19	0503010129	5/8" NUT	01	
20	0503013184	5/8" X 2-3/4" BOLT G.8	01	
21	0501011299	FLAT WASHER	01	



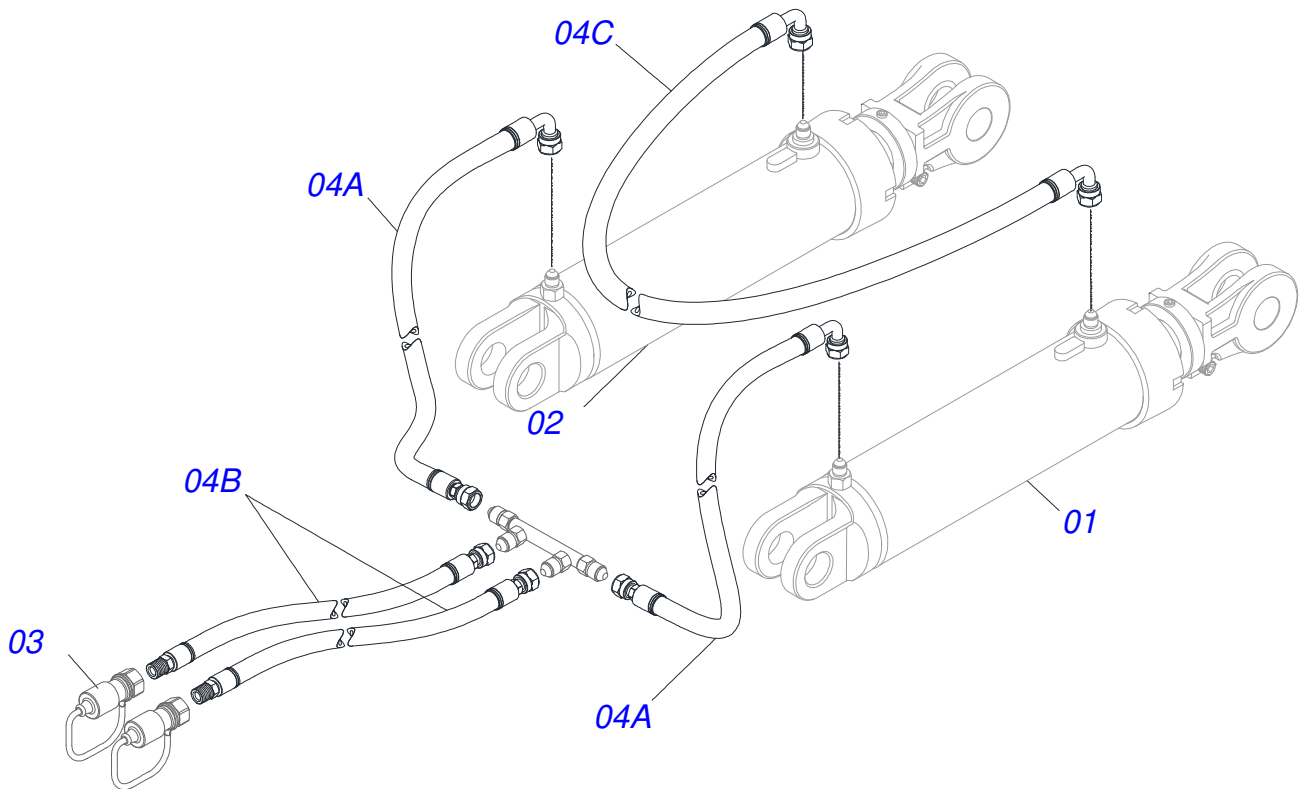
Item	Code	Description	See page	QT
01	0502011264	ARM AST/MATIC	01	01
02	0502011165	REAR FIXER	01	01
03	0511015688	1.1" X 7.1" COUPLING SHAFT	02	02
04	0503010571	1/4" X 1.1/2 COTTERPIN	08	08
05	0502011164	SUPPORT SPRING	01	01
06	0503811135	BOLT	01	01
07	0503010244	7/16" NUT	01	01
08	0511015689	1.1" X 3.5" COUPLING SHAFT	02	02
09	0521011631	AUTOMATIC RESET	01	01
10	0624010005	POINT SUBSOILER 16"X3"X1/2" E019	01	01
11	0503812956	BOLT	03	03
12	0503011440	SPRING WASHER	03	03
13	0503010020	1/2"NUT	03	03
14	0502011166	FRONT FIXER	01	01
15	0511019527	1" X 8" BOLT	04	04
16	0503011438	SPRING WASHER	04	04
17	0503010340	1" NUT	04	04



Item	Code	Description	See page	QT
01	0501068095	850 ADJUSTMENT NUT		01
02	0511062394	RIGHT TURNBUCKLE		01
03	0541018673	COUNTERNUT		01
04	0541018672	COUNTERNUT		01
05	0511062395	LEFT TURNBUCKLE		01
06	0503010002	1800 GREASE FITTING		02



Item	Code	Description	See page	QT
01	0502010540	HOUSING DM	01	01
02	0503010111	30210 ROLLER BEARING	02	02
03	0502040218	AXLE	01	01
04	0503030013	4.4" X 3.5" X 0.004" JOINT	02	02
05	0503030684	4.4" X 3.5" X 0.004" JOINT	01	01
06	0502020424	HOUSING CAP	01	01
07	0503010134	3/8" X 1" BOLT	04	04
08	0503030026	SEAL LP JB-253	02	02
09	0502010541	SEAL RETAINER	02	02
10	0502010070	OUTER FLANGE	01	01
11	0502010071	INNER FLANGE	01	01
12	0503010856	OIL PLUG	01	01



Item	Code	Description	See page	QT
01	0521045631	HYDRAULIC CYLINDER	2	01
02	0521045632	HYDRAULIC CYLINDER	3	01
03	0501053834	MALE QUICK COUPLER WITH CAP - 1/2 NPT		02
04	0501052886	HOSE KIT		01
04A	0501080431	TR-TC HOSE ASSY		02
04B	0501080384	TR-TM HOSE ASSY		02
04C	0501080578	TC-TC HOSE ASSY		01
04D	0503033158	PLASTIC BAG		01



www.marchesan.com.br



Technical Publications | Elaboration and Revision
LORENA ROCHA ALVES