

**HINGE TYPE OFFSET DISK HARROW**

**GNFM 48D**

**Code:** 0501092692  
**Series:** S-1107  
**Revision:** 00  
**Date Revision:** JUNHO/2022

# PARTS CATALOGUE



**MARCHESAN**



# PRODUCTS

Code	Description
0102330065	GNFM 48 X 20 X 3,50 CM S-1107
0102330067	GNFM 48 X 20 X 3,50 DM S-1107
0102330037	GNFM 48 X 20 X 4,50 CM S-1107
0102330066	GNFM 48 X 22 X 3,50 CM S-1107
0102330068	GNFM 48 X 22 X 3,50 DM S-1107
0102330043	GNFM 48 X 22 X 3,50 DM DR S-1107
0102330245	GNFM 48 X 22 X 4,50 DM S-1107
0102330399	GNFM 48 X 22 X 4,50 DM DR S-1107

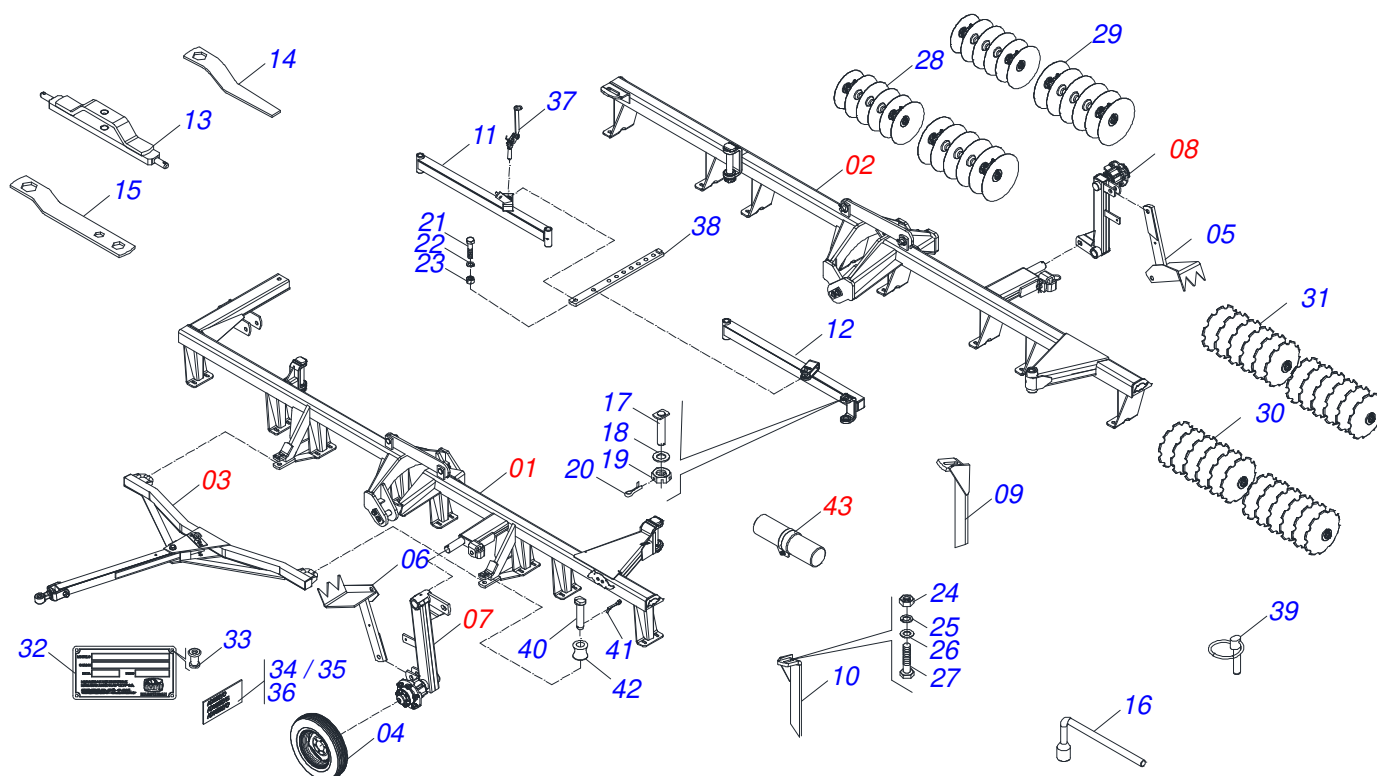
## ATTENTION: IMPORTANT

Marchesan S.A. reserves the right to improve and/or modify the technical features of its products, without obligation to do the same with those products already sold and without prior knowledge of the dealer or the consumer. The photos are only illustrative.



# INDEX

0909098886	ASSY FRAME	.....	1
0511047371	FRONT FRAME ASSY	.....	2
0511047372	FRAME REAR COMPLETE	.....	3
0521053485	ASSY MANUAL CANISTER	.....	4
0909098887	RIGHT REAR GANG DISC	.....	5
0909098888	LEFT REAR GANG DISC	.....	6
0909098889	LEFT FRONT GANG DISC	.....	7
0909098890	RIGHT FRONT GANG DISC	.....	8
0501051638	LEFT STUB SHAFT & HUB ASSY	.....	9
0501051637	RIGHT STUB SHAFT & HUB ASSY	.....	10
0501051142	CARRYING WHEEL HUB	.....	11
0501046913	GX 7" 1-1/4" BEARING ASSY	.....	12
0511047373	DRAWBAR ASSY	.....	13



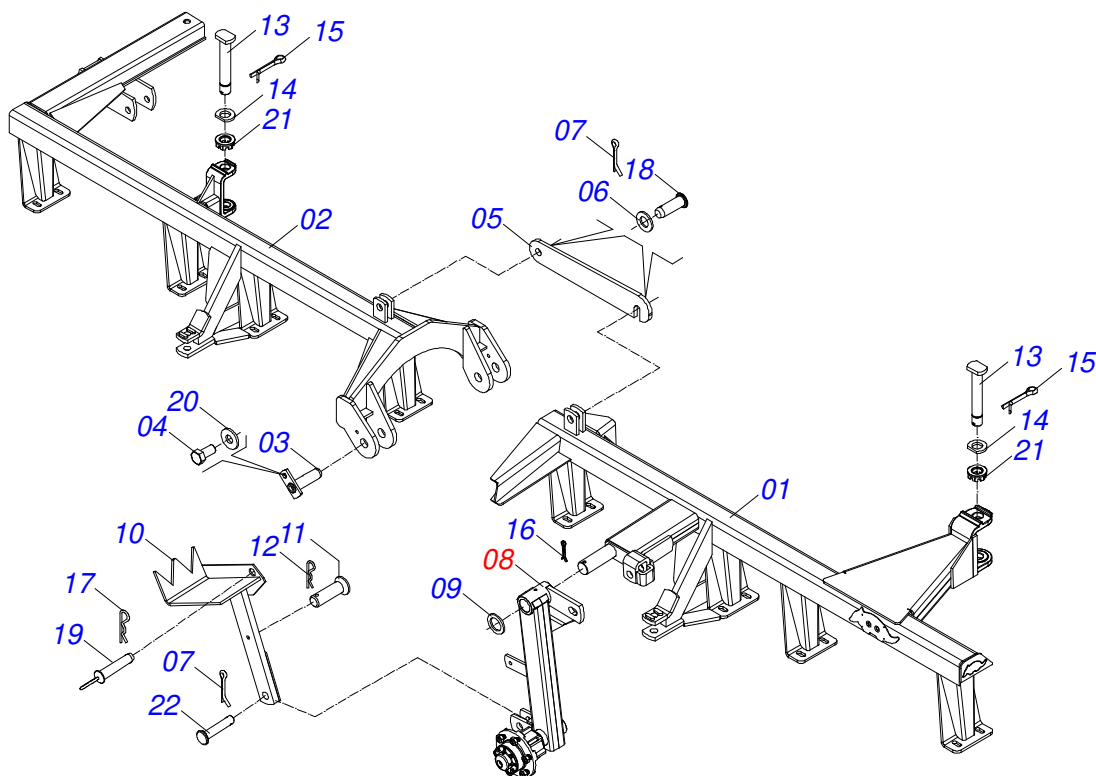
Item	Code	Description	See page	QT
01	0511047371	FRONT FRAME ASSY	2	01
02	0511047372	FRAME REAR COMPLETE	3	01
03	0511047373	DRAWBAR ASSY	13	01
04	0503060094	WHEEL AND TIRE ASSY		02
05	0501060597	RIGHT DRAWBAR JACK		02
06	0501060598	DRAWBAR JACK		02
07	0501051638	LEFT STUB SHAFT & HUB ASSY	9	01
08	0501051637	RIGHT STUB SHAFT & HUB ASSY	10	01
09	0501063963	FRONT SCRAPER		17
10	0501063962	REAR SCRAPER		17
11	0501064509	FRONT STABILIZER BAR		01
12	0501064508	REAR STABILIZER BAR 1360		01
13	0521062443	BAR FOR TRANSPORT		01
14	0501010198	1-1/4" CABLE FLAT WRENCH		02
15	0511018451	5/8" X 3/4" X 1" UNIVERSAL		01
16	0501068273	5/8" WRENCH		01
17	0531019497	1.5" X 9.2" ARTICULATED AXIS		01
18	0531019540	FLAT WASHER		01
19	0501011301	1.1/2 UNC 6FPP 2.5/16 NUT		01
20	0503010010	1/4" X 2.1/2" COTTERPIN		06
21	0503011432	BOLT		01
22	0503010012	1" SPRING WASHER		01
23	0501010059	1.5/8 NUT		01
24	0503010060	1/2" NUT		76
25	0503010019	1/2" SPRING WASHER		76
26	0511017302	FLAT WASHER		60
27	0503011082	C1/2" X 1.3/4" SCREW		60
28	0909098887	RIGHT REAR GANG DISC	5	01
29	0909098888	LEFT REAR GANG DISC	6	01
30	0909098889	LEFT FRONT GANG DISC	7	01
31	0909098890	RIGHT FRONT GANG DISC	8	01



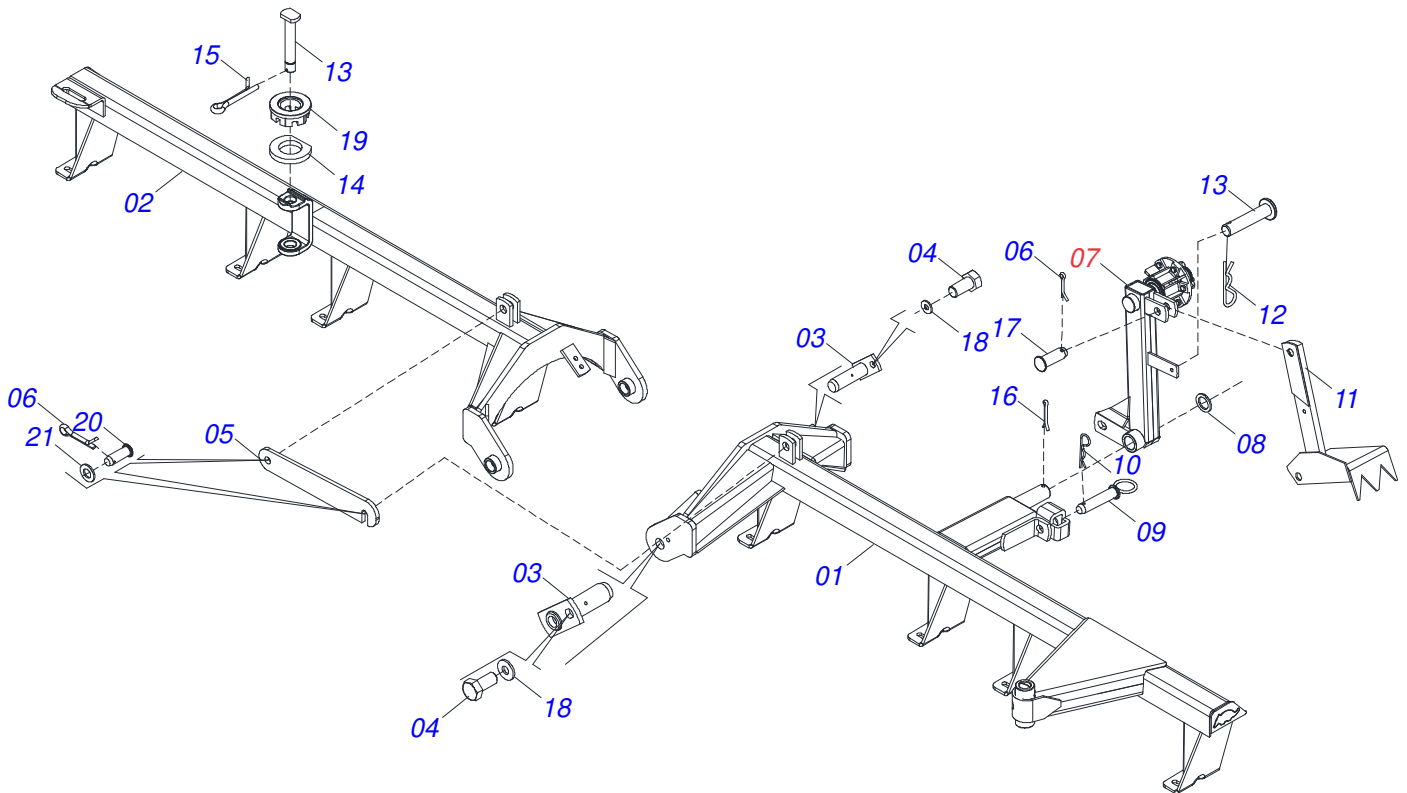
**GNFM 48D**  
**ASSY FRAME**

Page 1  
0909098886

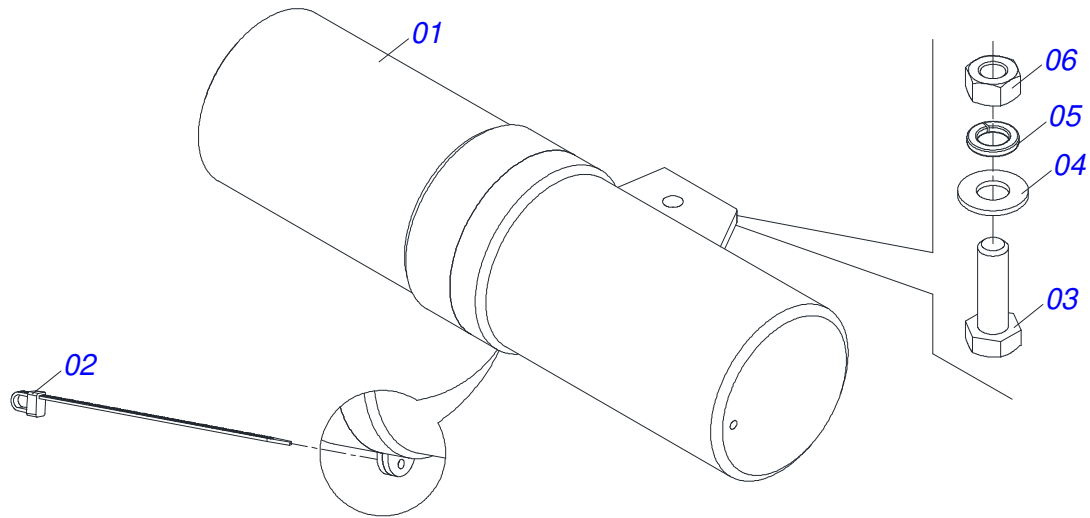
Item	Code	Description	See page	QT
32	0503034003	SERIAL NUMBER TAG 61 X 118		02
33	0503010001	3.2 X 5.5 RIVET		04
34	0503034706	ADHESIVE LABEL		01
35	0503034022	ADHESIVE LABEL LOGO TATU 60X80		01
36	0503034438	ADHESIVE LABEL		01
37	0501047858	ADJUSTMENT LEVER ASSY		01
38	0501064197	ADJUSTMENT BAR		01
39	0503030430	7/16 X 2" PIN LOCK		02
40	0521010628	25,40 X 105 COUPLING SHAFT		02
41	0503010571	1/4" X 1.1/2 COTTERPIN		02
42	0502040147	REEL		02
43	0521053485	ASSY MANUAL CANISTER	4	01



Item	Code	Description	See page	QT
01	0511069386	RIGHT FRONT FRAME		01
02	0511069387	LEFT FRONT FRAME		01
03	0501063751	1.5" X 5.5" PIVOT SHAFT		02
04	0503010962	5/8" X 1-1/4" BOLT		02
05	0501018941	TRANSPORT LOCK		01
06	0511017480	FLAT WASHER		01
07	0503010571	1/4" X 1.1/2 COTTERPIN		02
08	0501051638	LEFT STUB SHAFT & HUB ASSY	9	01
09	0501015875	FLAT WASHER		01
10	0501060598	DRAWBAR JACK		01
11	0521010625	0.4" X 2" COUPLING SHAFT		01
12	0503030168	HITCH PIN CLIP		01
13	0531019497	1.5" X 9.2" ARTICULATED AXIS		02
14	0531019540	FLAT WASHER		02
15	0503010010	1/4" X 2.1/2" COTTERPIN		02
16	0503010534	3/8 X 2-1/2 COTTERPIN		02
17	0503030012	HITCH PIN CLIP		01
18	0521810592	COUPLING SHAFT		01
19	0521066143	JUNCTION SHAFT		02
20	0501812140	FLAT WASHER		01
21	0501011301	1.1/2 UNC 6FPP 2.5/16 NUT		02
22	0521812535	JUNCTION SHAFT 27,80 X 70 CA SA		02

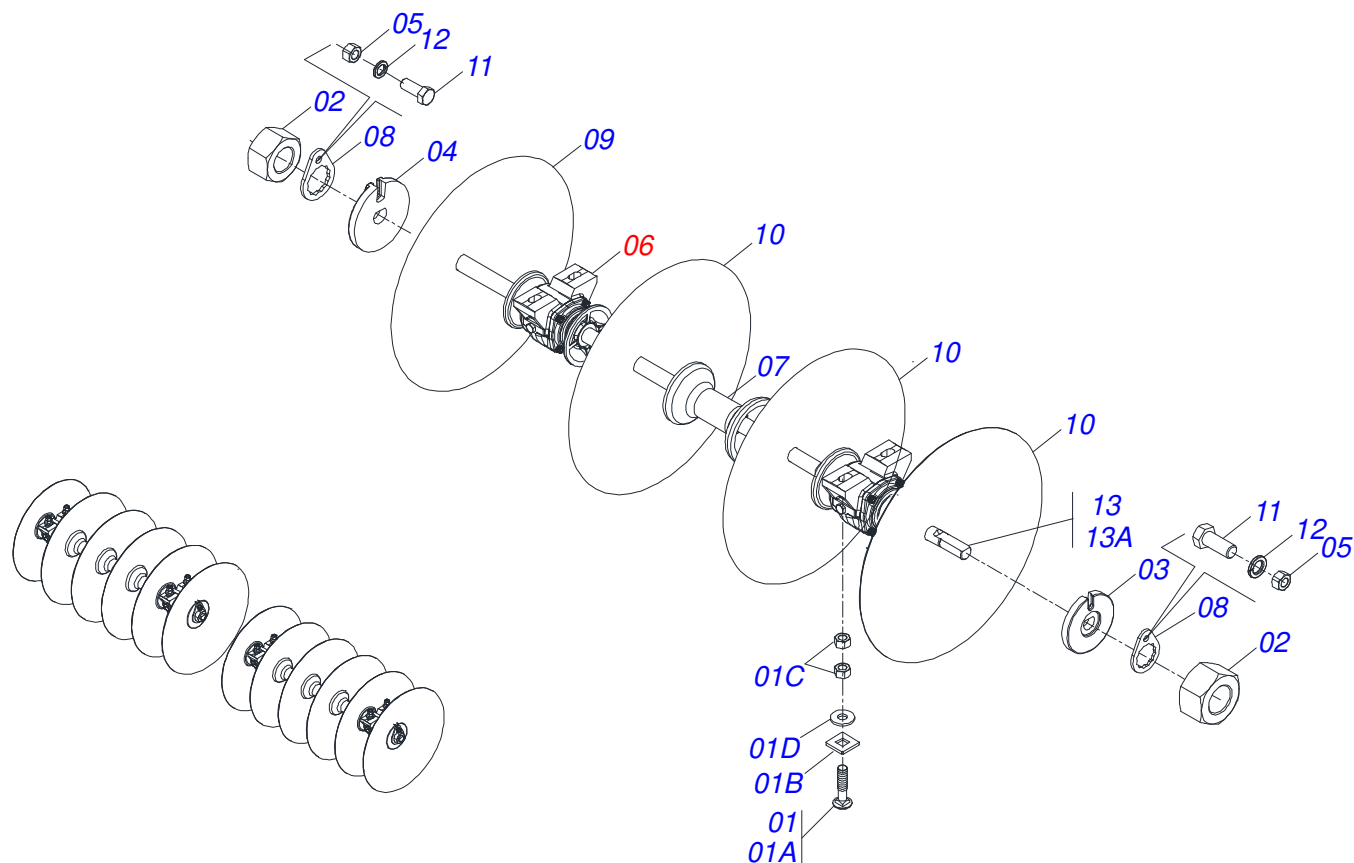


Item	Code	Description	See page	QT
001	0511069388	RIGHT REAR FRAME		01
002	0511069389	LEFT REAR FRAME		01
003	0501063751	1.5" X 5.5" PIVOT SHAFT		02
004	0503010962	5/8" X 1-1/4" BOLT		02
005	0501018941	TRANSPORT LOCK		01
006	0503010571	1/4" X 1.1/2 COTTERPIN		02
007	0501051637	RIGHT STUB SHAFT & HUB ASSY	10	01
008	0501015875	FLAT WASHER		01
009	0521066143	JUNCTION SHAFT		01
010	0503030012	HITCH PIN CLIP		01
011	0501060597	RIGHT DRAWBAR JACK		01
012	0503030168	HITCH PIN CLIP		01
013	0531019497	1.5" X 9.2" ARTICULATED AXIS		01
014	0531019540	FLAT WASHER		01
015	0503010010	1/4" X 2.1/2" COTTERPIN		01
016	0503010534	3/8 X 2-1/2 COTTERPIN		01
017	0521010592	1.1" X 3.1" COUPLING SHAFT		01
018	0501012140	FLAT WASHER		02
019	0501011301	1.1/2 UNC 6FPP 2.5/16 NUT		01
020	0521012535	1.1" X 2.7" COUPLING SHAFT		02
021	0511817480	FLAT WASHER		02

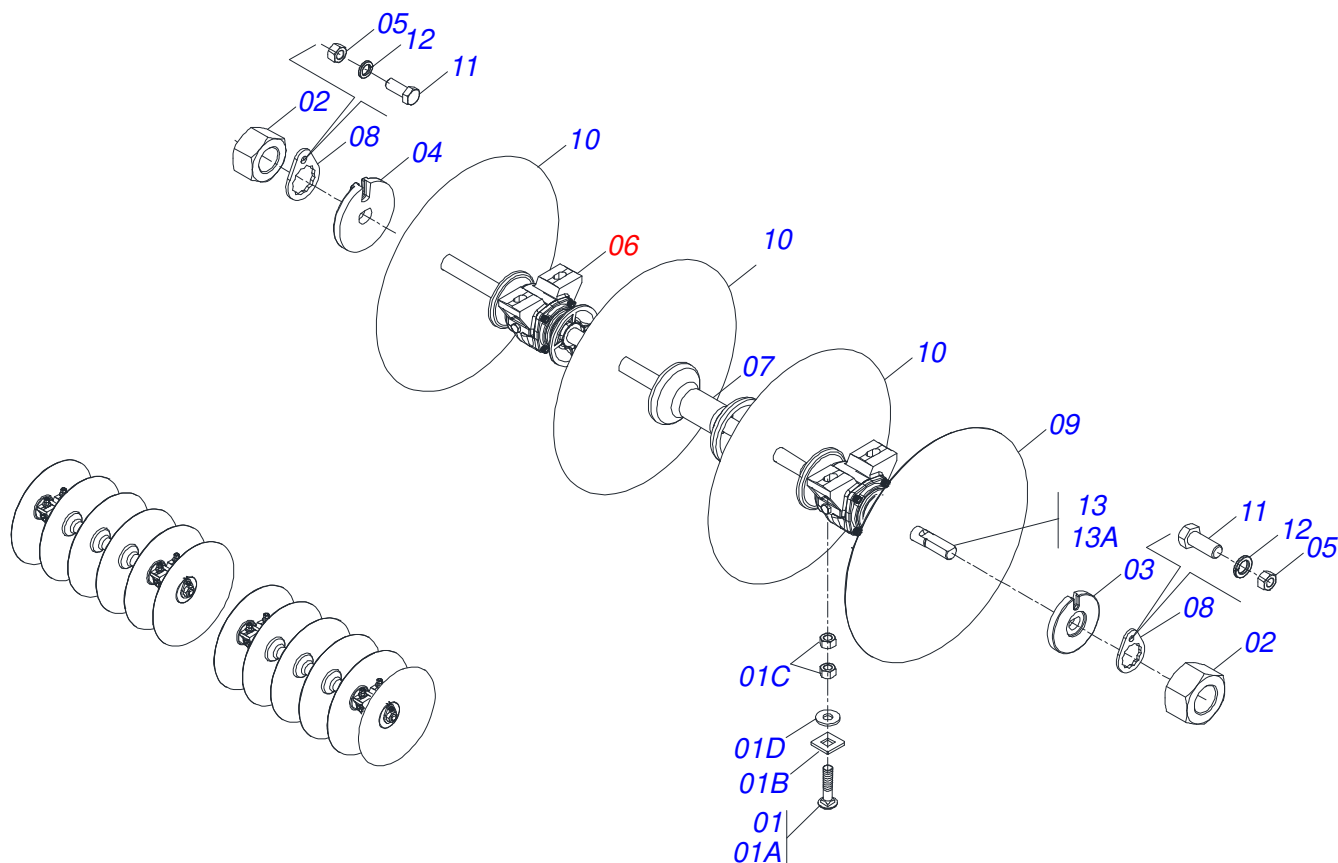


Item	Code	Description	See page	QT
01	0503060100	OPERATOR'S MANUAL STORAGE TUBE		01
02	0503010267	NYLON CLAMP		01
03	0503010363	5/16" X 1" BOLT		01
04	0501010694	FLAT WASHER		01
05	0503010179	LOCK WASHER		01
06	0503010337	5/16" NUT		01

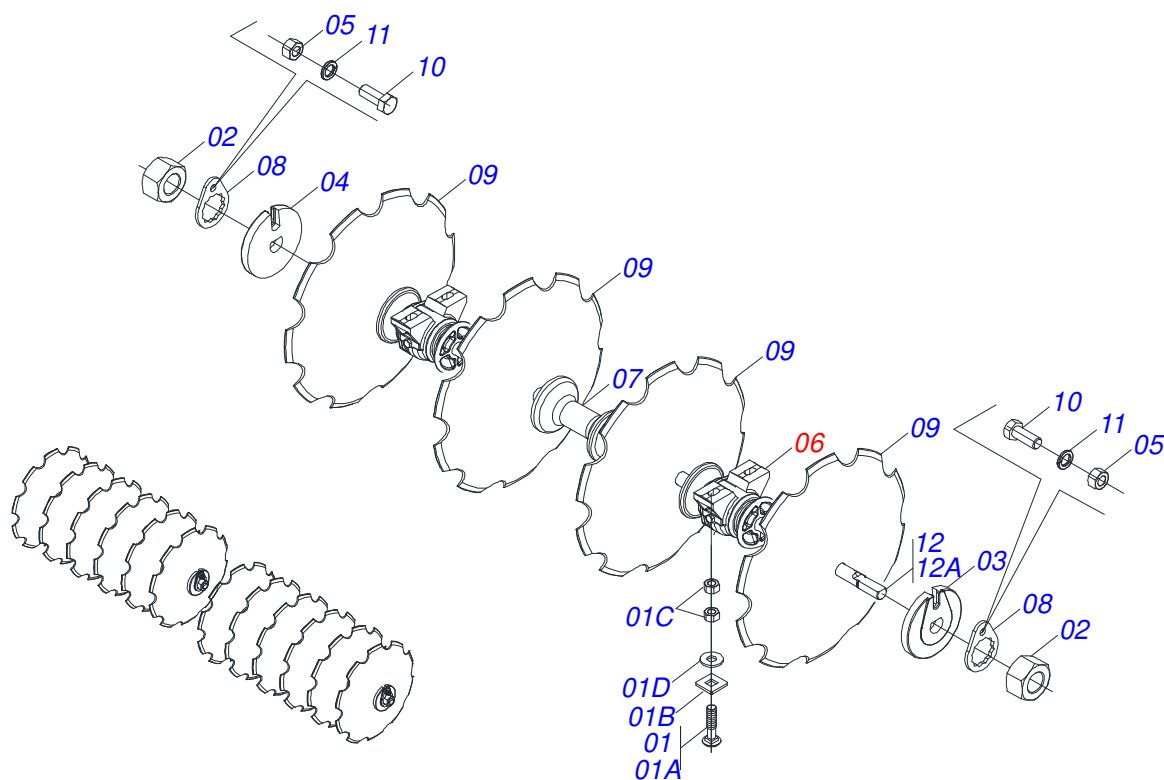




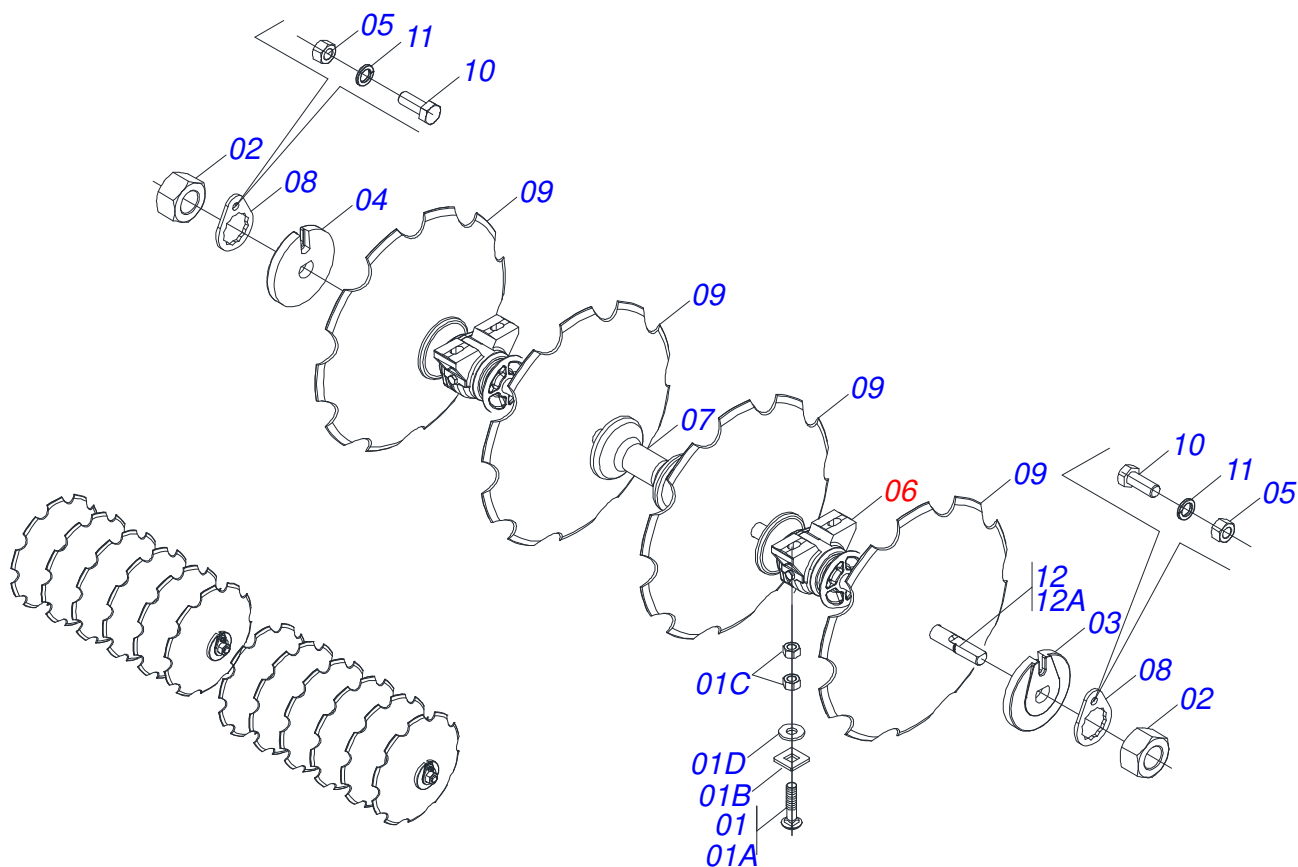
Item	Code	Description	See page	QT
01	0501058802	5/8 UNC X 2.3/4 BOLT ASSY		04
01A	0503015154	5/8" X 2.3/4" BOLT		04
01B	0501010947	5/8 NUT LOCK		04
01C	0503010013	5/8" NUT		04
01D	0501012140	FLAT WASHER		04
02	0501810087	NUT - 1.1/4 UNC 7FPP (SEXT.2) SA		02
03	0502010835	1-1/4" EXTERNAL AXLE WASHER		01
04	0502010834	1-1/4" INNER AXLE WASHER		01
05	0503010013	5/8" NUT		02
06	0501046913	GX 7" 1-1/4" BEARING ASSY	12	02
07	0502010549	7.6" X 1-1/4" SPACER		03
08	0501010455	1.1/4" NUT LOCK		02
09	0601027301	20" X 3,5 PLAIN DISC BLADE		01
09.	0602027340	20" X 3,5 NOTCHED DISC BLADE		01
09..	0602027342	DR20X4,5 C57AF02FR1.5/16 10R TATU		01
09...	0602025251	DR18X3,5 C45AF02FC31,75 D247 9REC		01
10	0601029417	PLAIN DISC BLADE		11
10.	0602027304	DR20X4 C52AFPAFR70+4FR D191 10R AUS		11
10..	0602029418	DR22X4 C64AF02FR1.9/16 10R TATU		11
10...	0602029421	NOTCHED DISC		11
10....	0602027301	NOTCHED DISC		11
10.....	0602029420	22" X 3,5 NOTCHED DISC BLADE		11
10.....	0602027342	DR20X4,5 C57AF02FR1.5/16 10R TATU		11
11	0501011234	5/8" X 3" BOLT		02
12	0503010027	5/8" SPRING WASHER		02
13	0501042201	1.1/4" X 1090 AXLE WITH NUTS		01
13A	0501016649	1.1/4" X 1090 AXLE		01



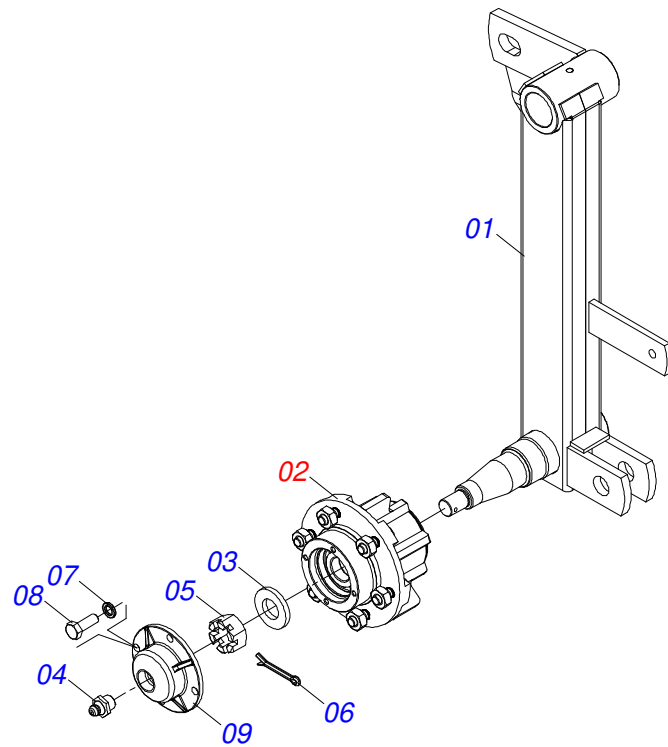
Item	Code	Description	See page	QT
01	0501058802	5/8 UNC X 2.3/4 BOLT ASSY		04
01A	0503015154	5/8" X 2.3/4" BOLT		04
01B	0501010947	5/8 NUT LOCK		04
01C	0503010013	5/8" NUT		04
01D	0501012140	FLAT WASHER		04
02	0501810087	NUT - 1.1/4 UNC 7FPP (SEXT.2) SA		02
03	0502010835	1-1/4" EXTERNAL AXLE WASHER		01
04	0502010834	1-1/4" INNER AXLE WASHER		01
05	0503010013	5/8" NUT		02
06	0501046913	GX 7" 1-1/4" BEARING ASSY	12	02
07	0502010549	7.6" X 1-1/4" SPACER		03
08	0501010455	1.1/4" NUT LOCK		02
09	0601027301	20" X 3,5 PLAIN DISC BLADE		01
09.	0602027342	DR20X4,5 C57AF02FR1.5/16 10R TATU		01
09..	0602025251	DR18X3,5 C45AF02FC31,75 D247 9REC		01
10	0601029417	PLAIN DISC BLADE		01
10.	0602027340	20" X 3,5 NOTCHED DISC BLADE		11
10..	0602027304	DR20X4 C52AFPAFR70+4FR D191 10R AUS		11
10...	0602027342	DR20X4,5 C57AF02FR1.5/16 10R TATU		11
10....	0602027301	NOTCHED DISC		11
10.....	0602029421	NOTCHED DISC		11
10.....	0602029418	DR22X4 C64AF02FR1.9/16 10R TATU		11
11	0501011234	5/8" X 3" BOLT		02
12	0503010027	5/8" SPRING WASHER		02
13	0501042201	1.1/4" X 1090 AXLE WITH NUTS		01
13A	0501016649	1.1/4" X 1090 AXLE		01



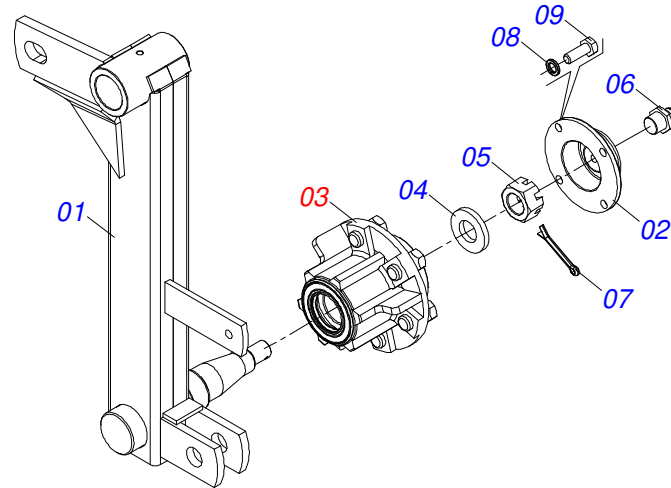
Item	Code	Description	See page	QT
01	0501058802	5/8 UNC X 2.3/4 BOLT ASSY		04
01A	0503015154	5/8" X 2.3/4" BOLT		04
01B	0501010947	5/8 NUT LOCK		04
01C	0503010013	5/8" NUT		04
01D	0501012140	FLAT WASHER		04
02	0501810087	NUT - 1.1/4 UNC 7FPP (SEXT.2) SA		02
03	0502010835	1-1/4" EXTERNAL AXLE WASHER		01
04	0502010834	1-1/4" INNER AXLE WASHER		01
05	0503010013	5/8" NUT		02
06	0501046913	GX 7" 1-1/4" BEARING ASSY	12	02
07	0502010549	7.6" X 1-1/4" SPACER		03
08	0501010455	1.1/4" NUT LOCK		02
09	0602029421	NOTCHED DISC		12
09.	0602027340	20" X 3,5 NOTCHED DISC BLADE		12
09..	0602029420	22" X 3,5 NOTCHED DISC BLADE		12
09...	0602029421	NOTCHED DISC		12
10	0501011234	5/8" X 3" BOLT		02
11	0503010027	5/8" SPRING WASHER		02
12	0501042201	1.1/4" X 1090 AXLE WITH NUTS		01
12A	0501016649	1.1/4" X 1090 AXLE		01



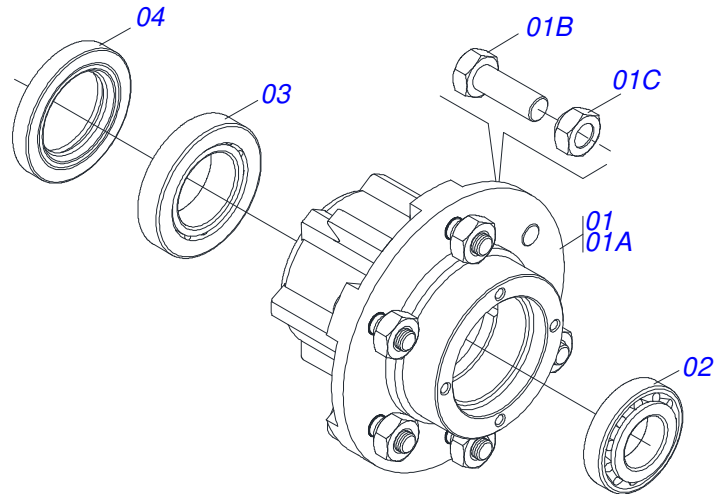
Item	Code	Description	See page	QT
01	0501058802	5/8 UNC X 2.3/4 BOLT ASSY		04
01A	0503015154	5/8" X 2.3/4" BOLT		04
01B	0501010947	5/8 NUT LOCK		04
01C	0503010013	5/8" NUT		04
01D	0501012140	FLAT WASHER		04
02	0501810087	NUT - 1.1/4 UNC 7FPP (SEXT.2) SA		02
03	0502010835	1-1/4" EXTERNAL AXLE WASHER		01
04	0502010834	1-1/4" INNER AXLE WASHER		01
05	0503010013	5/8" NUT		02
06	0501046913	GX 7" 1-1/4" BEARING ASSY	12	02
07	0502010549	7.6" X 1-1/4" SPACER		03
08	0501010455	1.1/4" NUT LOCK		02
09	0602029421	NOTCHED DISC		12
09.	0602027340	20" X 3,5 NOTCHED DISC BLADE		12
09..	0602029420	22" X 3,5 NOTCHED DISC BLADE		12
09...	0602029421	NOTCHED DISC		12
10	0501011234	5/8" X 3" BOLT		02
11	0503010027	5/8" SPRING WASHER		02
12	0501042201	1.1/4" X 1090 AXLE WITH NUTS		01
12A	0501016649	1.1/4" X 1090 AXLE		01



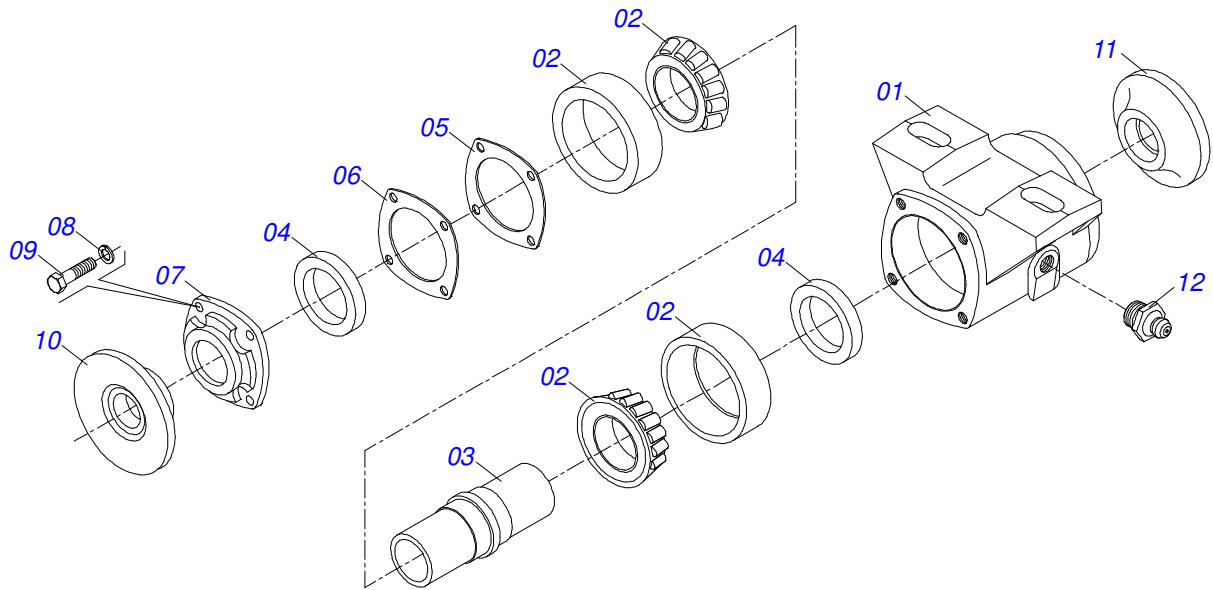
Item	Code	Description	See page	QT
01	0501069091	LEFT CARRYING-W FIXATION SUPPORT		01
02	0501051142	CARRYING WHEEL HUB	11	01
03	0501016545	FLAT WASHER		01
04	0503010002	1800 GREASE FITTING		01
05	0503030009	1" CASTLE NUT		01
06	0503010018	5/32 X 1-1/2 COTTERPIN		01
07	0503011444	SPRING WASHER		04
08	0503010358	5/16" X 5/8" BOLT		04
09	0502020591	PROTECCION COVER		01



Item	Code	Description	See page	QT
01	0501068991	RIG CARRYING-WHEEL FIXATION SUPPORT		01
02	0502020591	PROTECCION COVER		01
03	0501051142	CARRYING WHEEL HUB	11	01
04	0501016545	FLAT WASHER		01
05	0503030009	1" CASTLE NUT		01
06	0503010002	1800 GREASE FITTING		01
07	0503010018	5/32 X 1-1/2 COTTERPIN		01
08	0503011444	SPRING WASHER		04
09	0503010358	5/16" X 5/8" BOLT		04

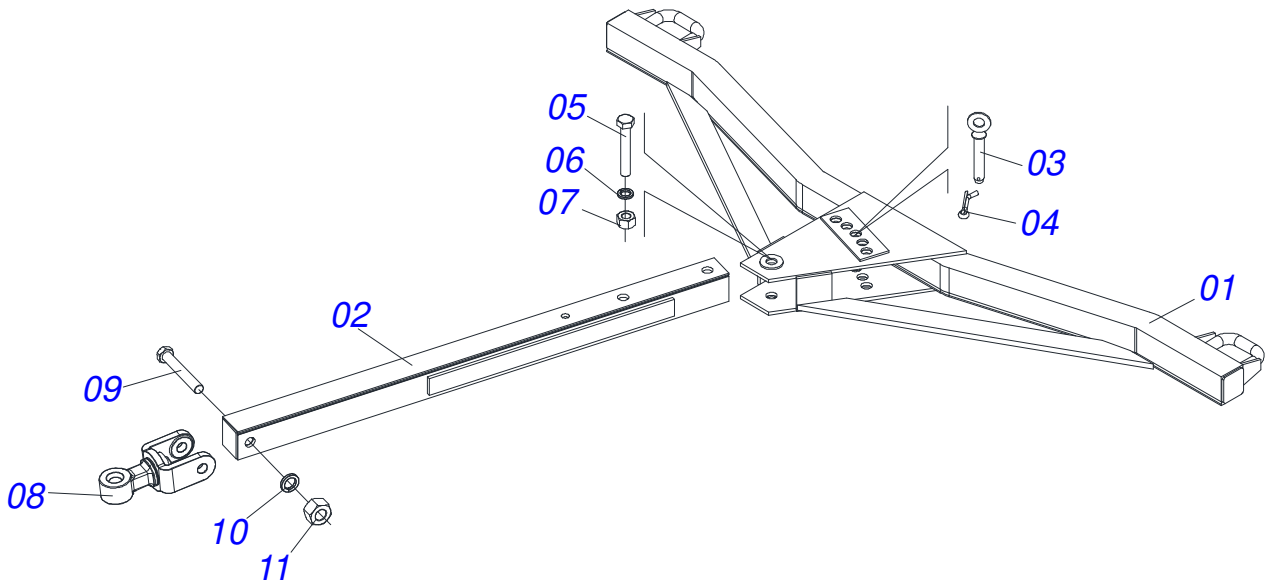


Item	Code	Description	See page	QT
01	0501110728	WHEEL HUB		01
01A	0502011121	CARRYING WHEEL HUB		01
01B	0501010127	9/16" X 1-7/8" LUG BOLT		06
01C	0503010035	9/16" CONIC NUT		06
02	0503010037	30207 ROLLER BEARING		01
03	0503010006	32210 ROLLER BEARING		01
04	0503012928	SEAL		01



Item	Code	Description	See page	QT
01	0502020313	HOUSING CM		01
02	0503010111	30210 ROLLER BEARING		02
03	0502040218	AXLE		01
04	0503010468	SEAL 01199-GB		02
05	0503030013	4.4" X 3.5" X 0.004" JOINT		02
06	0503030684	4.4" X 3.5" X 0.004" JOINT		01
07	0502020273	HOUSING CAP CM		01
08	0503011443	3/8" SPRING WASHER		04
09	0503810237	3/8 UNC X 1 C S G.5 SA BOLT		04
10	0502010070	OUTER FLANGE		01
11	0502010071	INNER FLANGE		01
12	0503010002	1800 GREASE FITTING		01





Item	Code	Description	See page	QT
001	0511069390	OFFSET BAR		01
002	0501060188	DRAWBAR ASSY		01
003	0501068993	0.9" X 5.5" COUPLING SHAFT		01
004	0503010523	1/4" X 2" COTTERPIN		02
005	0501010191	1" X 6" BOLT		01
006	0503011438	SPRING WASHER		01
007	0501010059	1.5/8 NUT		01
008	0521061775	TRACTOR HITCH		01
009	0501010060	1" X 6-1/2" BOLT		01
010	0503011438	SPRING WASHER		01
011	0501010059	1.5/8 NUT		01





**MARCHESAN**

***Technical Publications | Elaboration and Revision***

LORENA ROCHA ALVES

[www.marchesan.com.br](http://www.marchesan.com.br)

