

HINGE TYPE OFFSET DISK HARROW

GNFM 48D - PA

Code: 0501092691

Series: S-1107

Revision: 00

Date Revision: JUNHO/2022

PARTS CATALOGUE



MARCHESAN



PRODUCTS

Code	Description
0102330125	GNFM 48 X 20 X 3,50 CM PA S-1107
0102330127	GNFM 48 X 20 X 3,50 DM PA S-1107
0102330024	GNFM 48 X 20 X 3,50 DM PA DR S-1107
0102330266	GNFM 48 X 20 X 4,50 DM PA S-1107
0102330126	GNFM 48 X 22 X 3,50 CM PA S-1107
0102330013	GNFM 48 X 22 X 3,50 CM PA DR S-1107
0102330128	GNFM 48 X 22 X 3,50 DM PA S-1107
0102330030	GNFM 48 X 22 X 3,50 DM PA DR S-1107
0102330002	GNFM 48 X 22 X 4,50 CM PA S-1107
0102330249	GNFM 48 X 22 X 4,50 CM PA DR S-1107
0102330246	GNFM 48 X 22 X 4,50 DM PA S-1107
0102330027	GNFM 48 X 22 X 4,50 DM PA DR S-1107
0102330407	GNFM 48 X 22 X 4,50 DR DMO PA E 1.1/4 S-1107

ATTENTION: IMPORTANT

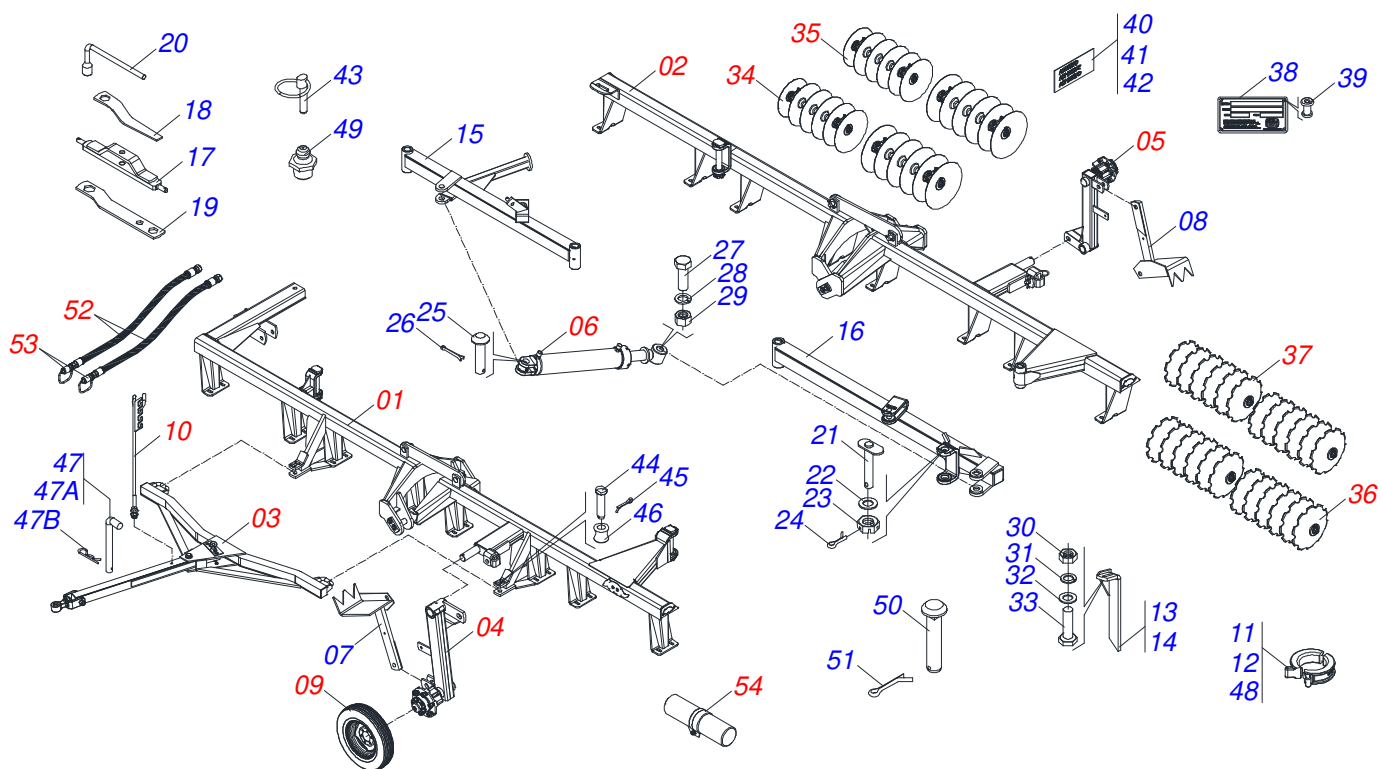
Marchesan S.A. reserves the right to improve and/or modify the technical features of its products, without obligation to do the same with those products already sold and without prior knowledge of the dealer or the consumer. The photos are only illustrative.



MARCHESAN

INDEX

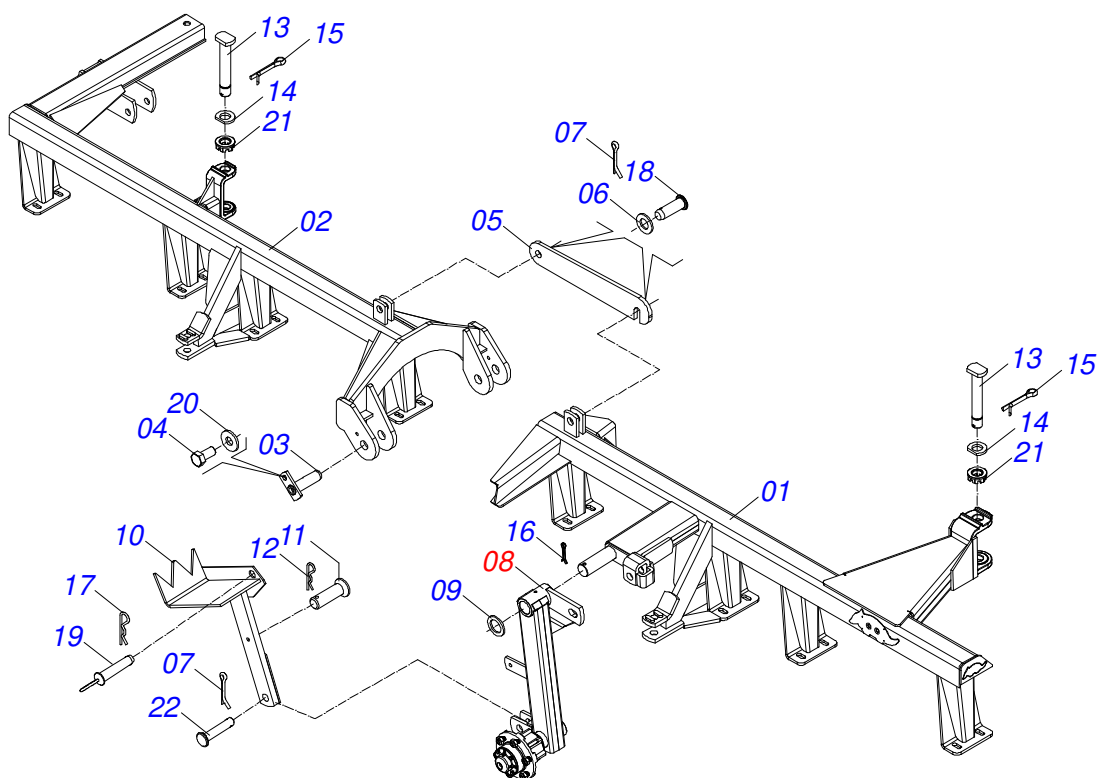
0909098884	FRAME ASSY	1
0511047371	FRONT FRAME ASSY	2
0511047372	FRAME REAR COMPLETE	3
0909098877	HYDRAULIC CIRCUIT	4
0511058459	HYDRAULIC CYLINDER	5
0521053485	ASSY MANUAL CANISTER	6
0909098879	RIGHT REAR GANG DISC	7
0909098880	LEFT REAR GANG DISC	8
0909098881	LEFT FRONT GANG DISC	9
0909098882	RIGHT FRONT GANG DISC	10
0501040257	3/4 X 1200 HOSE HOLDER A	11
0501051638	LEFT STUB SHAFT & HUB ASSY	12
0501051637	RIGHT STUB SHAFT & HUB ASSY	13
0501051142	CARRYING WHEEL HUB	14
0909094970	HYDRAULIC CIRCUIT	15
0511058461	HYDRAULIC CYLINDER	16
0501046913	GX 7" 1-1/4" BEARING ASSY	17
0521047189	BEARING 192,5 X 1.1/4 OSC IMP GN	18
0521050842	CHUMACERA 192,5 X 1.1/4 IMP	19
0511047373	DRAWBAR ASSY	20



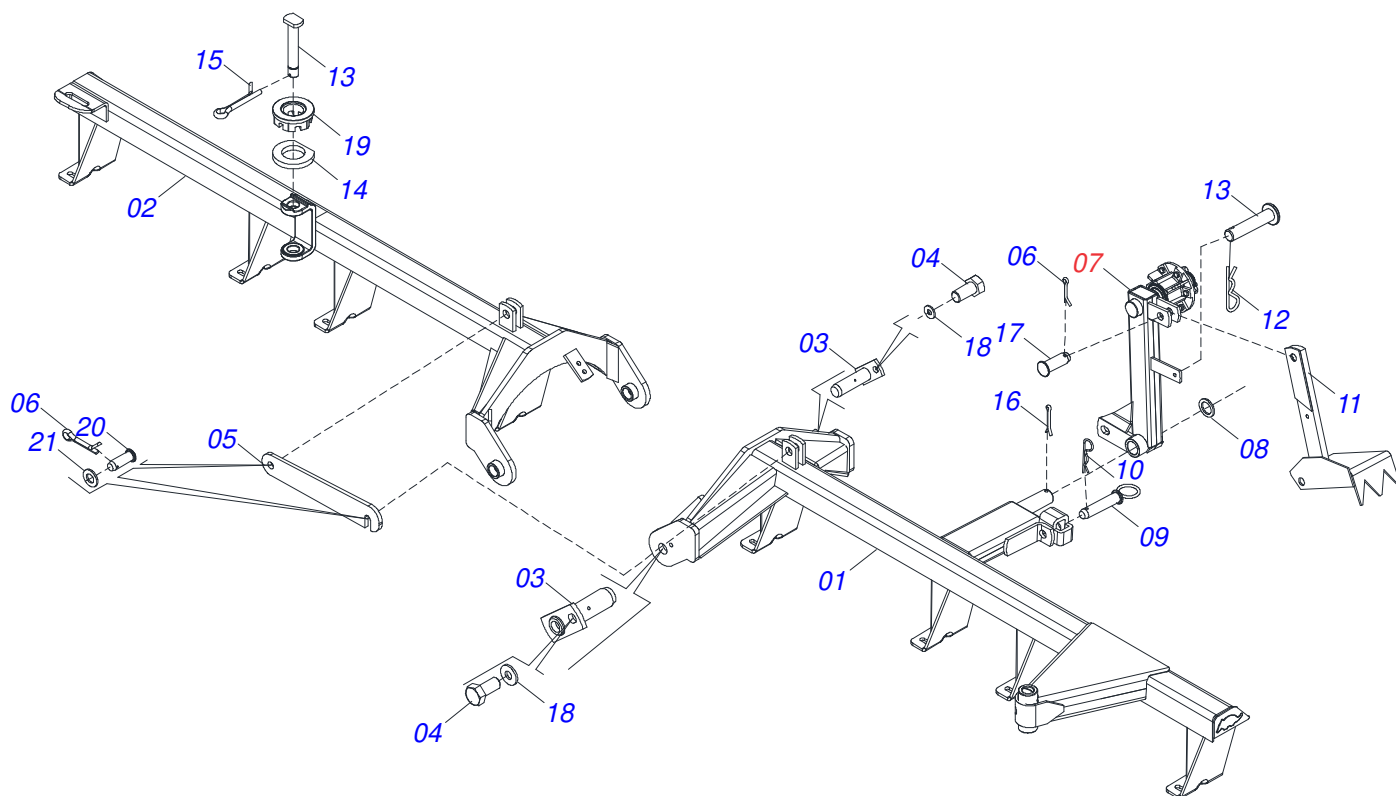
Item	Code	Description	See page	QT
01	0511047371	FRONT FRAME ASSY	2	01
02	0511047372	FRAME REAR COMPLETE	3	01
03	0511047373	DRAWBAR ASSY	20	01
04	0501051638	LEFT STUB SHAFT & HUB ASSY	12	02
05	0501051637	RIGHT STUB SHAFT & HUB ASSY	13	01
06	0511058459	HYDRAULIC CYLINDER	5	01
07	0501060597	RIGHT DRAWBAR JACK		02
08	0501060598	DRAWBAR JACK		01
09	0503060094	WHEEL AND TIRE ASSY		02
10	0501040257	3/4 X 1200 HOSE HOLDER A	11	01
11	0501047895	ROD STOP		06
12	0501047885	ROD STOP		04
13	0501063963	FRONT SCRAPER		17
14	0501063962	REAR SCRAPER		17
15	0501064461	FRONT STAB BAR		01
16	0501064462	63" REAR STABILIZER BAR		01
17	0521062443	BAR FOR TRANSPORT		01
18	0501010198	1-1/4" CABLE FLAT WRENCH		02
19	0511018451	5/8" X 3/4" X 1" UNIVERSAL		01
20	0501068273	5/8" WRENCH		01
21	0531019497	1.5" X 9.2" ARTICULATED AXIS		01
22	0531019540	FLAT WASHER		01
23	0501011301	1.1/2 UNC 6FPP 2.5/16 NUT		01
24	0503010010	1/4" X 2.1/2" COTTERPIN		06
25	0521010544	1.2" X 4.9" COUPLING SHAFT		01
26	0503010523	1/4" X 2" COTTERPIN		01
27	0501011106	1-1/4" X 7" SCREW		01
28	0503010070	SPRING WASHER		01
29	0501010087	1.1/4" NUT		01
30	0503010060	1/2" NUT		76
31	0503010019	1/2" SPRING WASHER		76



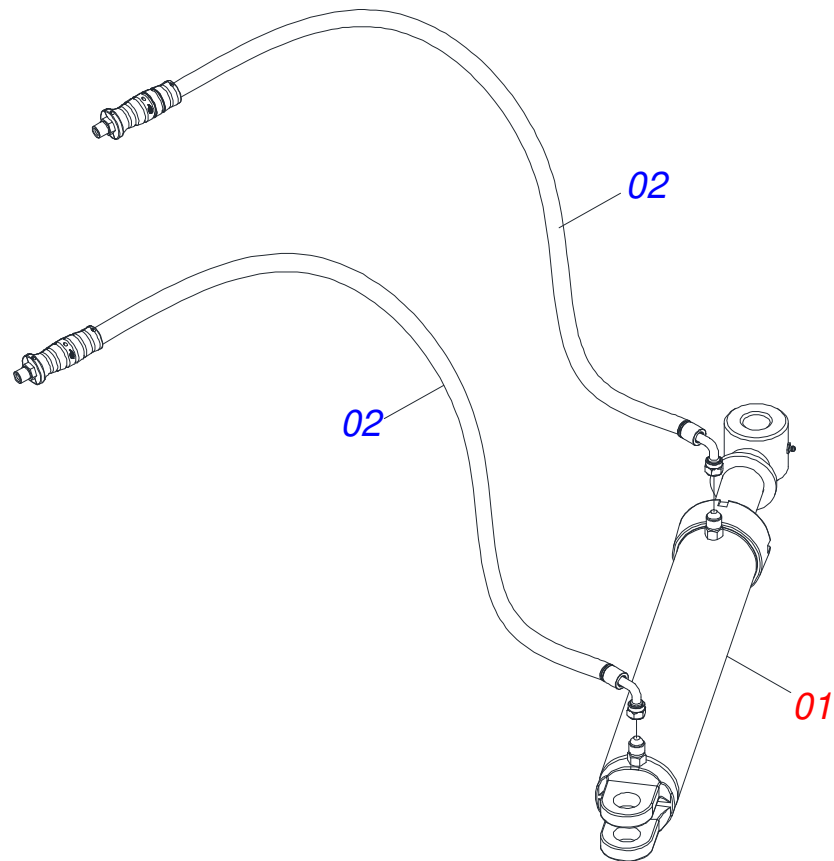
Item	Code	Description	See page	QT
32	0511017302	FLAT WASHER		60
33	0503011082	C1/2" X 1.3/4" SCREW		60
34	0909098879	RIGHT REAR GANG DISC	7	01
35	0909098880	LEFT REAR GANG DISC	8	01
36	0909098882	RIGHT FRONT GANG DISC	10	01
37	0909098881	LEFT FRONT GANG DISC	9	01
38	0503034003	SERIAL NUMBER TAG 61 X 118		02
39	0503010001	3.2 X 5.5 RIVET		04
40	0503034706	ADHESIVE LABEL		01
41	0503034022	ADHESIVE LABEL LOGO TATU 60X80		01
42	0503034438	ADHESIVE LABEL		01
43	0503030430	7/16 X 2" PIN LOCK		02
44	0521010628	25,40 X 105 COUPLING SHAFT		02
45	0503010571	1/4" X 1.1/2 COTTERPIN		02
46	0502040147	REEL		02
47	0501040343	DRAWBOLT ASSY		01
47A	0521010453	AXI SHAFT		01
47B	0503031035	HITCH PIN CLIP		01
48	0501047885	ROD STOP		04
49	0503010002	1800 GREASE FITTING		08
50	0521013077	1.2" X 5.7" PIVOT SHAFT		01
51	0503010010	1/4" X 2.1/2" COTTERPIN		03
52	0909098877	HYDRAULIC CIRCUIT	4	01
52.	0909094970	HYDRAULIC CIRCUIT	15	01
53	0501053834	MALE QUICK COUPLER		02
54	0521053485	ASSY MANUAL CANISTER	6	01



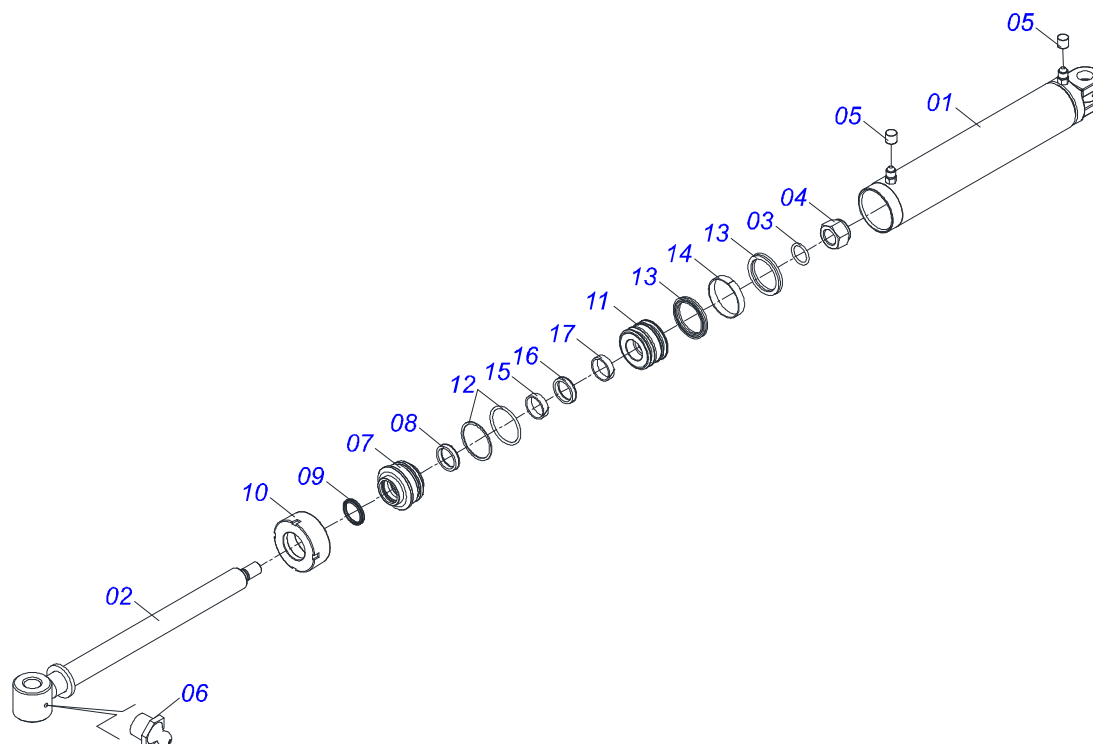
Item	Code	Description	See page	QT
01	0511069386	RIGHT FRONT FRAME		01
02	0511069387	LEFT FRONT FRAME		01
03	0501063751	1.5" X 5.5" PIVOT SHAFT		02
04	0503010962	5/8" X 1-1/4" BOLT		02
05	0501018941	TRANSPORT LOCK		01
06	0511017480	FLAT WASHER		01
07	0503010571	1/4" X 1.1/2 COTTERPIN		02
08	0501051638	LEFT STUB SHAFT & HUB ASSY	12	01
09	0501015875	FLAT WASHER		01
10	0501060598	DRAWBAR JACK		01
11	0521010625	0.4" X 2" COUPLING SHAFT		01
12	0503030168	HITCH PIN CLIP		01
13	0531019497	1.5" X 9.2" ARTICULATED AXIS		02
14	0531019540	FLAT WASHER		02
15	0503010010	1/4" X 2.1/2" COTTERPIN		02
16	0503010534	3/8 X 2-1/2 COTTERPIN		02
17	0503030012	HITCH PIN CLIP		01
18	0521810592	COUPLING SHAFT		01
19	0521066143	JUNCTION SHAFT		02
20	0501812140	FLAT WASHER		01
21	0501011301	1.1/2 UNC 6FPP 2.5/16 NUT		02
22	0521812535	JUNCTION SHAFT 27,80 X 70 CA SA		02



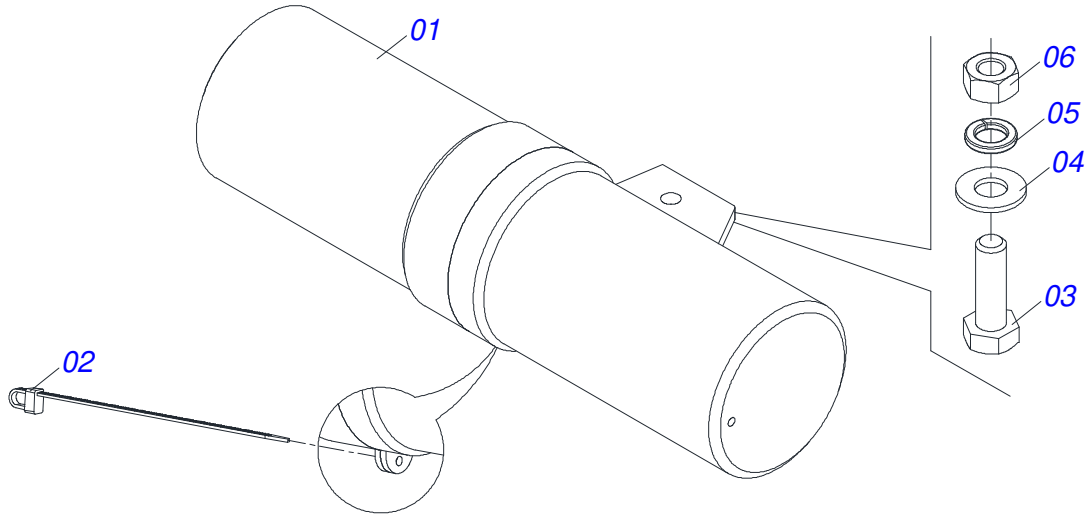
Item	Code	Description	See page	QT
001	0511069388	RIGHT REAR FRAME		01
002	0511069389	LEFT REAR FRAME		01
003	0501063751	1.5" X 5.5" PIVOT SHAFT		02
004	0503010962	5/8" X 1-1/4" BOLT		02
005	0501018941	TRANSPORT LOCK		01
006	0503010571	1/4" X 1.1/2 COTTERPIN		02
007	0501051637	RIGHT STUB SHAFT & HUB ASSY	13	01
008	0501015875	FLAT WASHER		01
009	0521066143	JUNCTION SHAFT		01
010	0503030012	HITCH PIN CLIP		01
011	0501060597	RIGHT DRAWBAR JACK		01
012	0503030168	HITCH PIN CLIP		01
013	0531019497	1.5" X 9.2" ARTICULATED AXIS		01
014	0531019540	FLAT WASHER		01
015	0503010010	1/4" X 2.1/2" COTTERPIN		01
016	0503010534	3/8 X 2-1/2 COTTERPIN		01
017	0521010592	1.1" X 3.1" COUPLING SHAFT		01
018	0501012140	FLAT WASHER		02
019	0501011301	1.1/2 UNC 6FPP 2.5/16 NUT		01
020	0521012535	1.1" X 2.7" COUPLING SHAFT		02
021	0511817480	FLAT WASHER		02



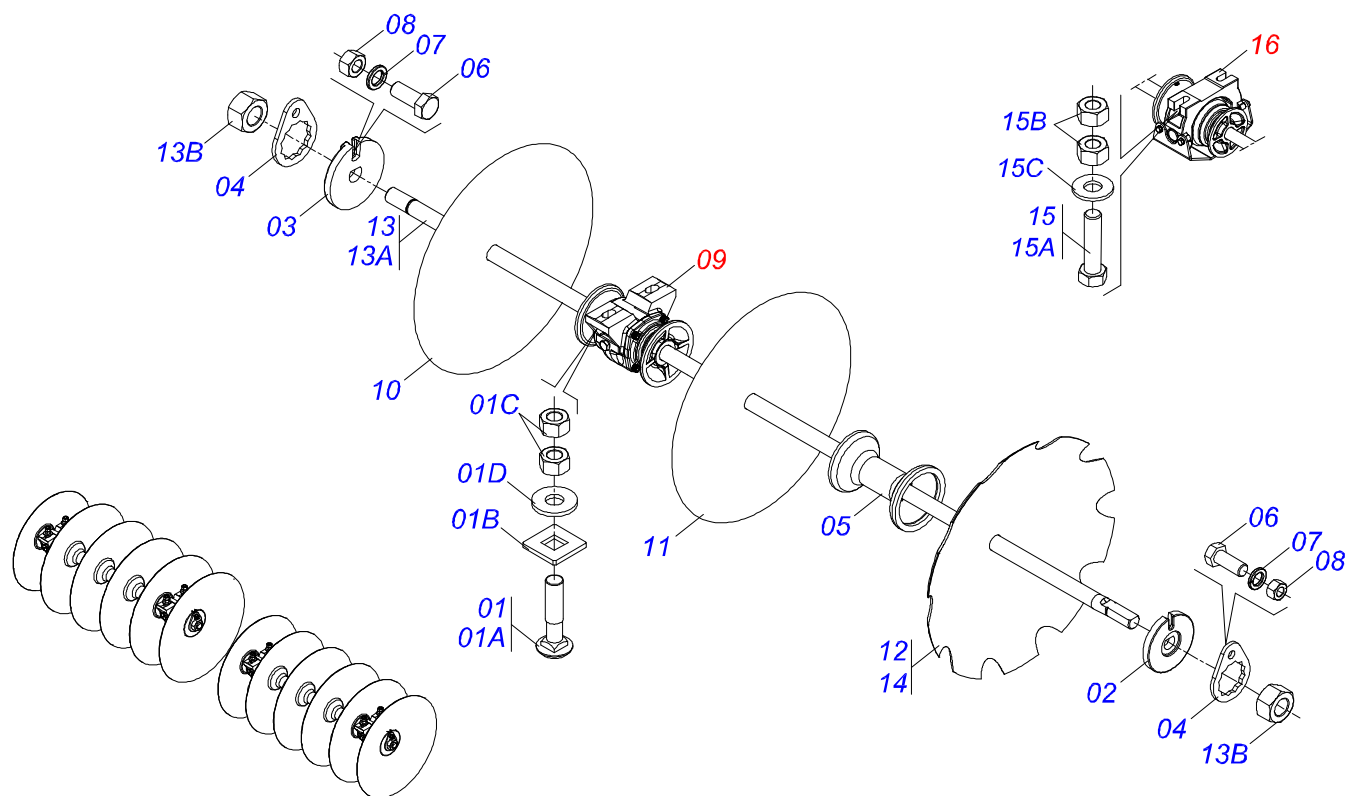
Item	Code	Description	See page	QT
01	0511058459	HYDRAULIC CYLINDER	5	01
02	0501080363	3/8" X 177" TR-TM HOSE ASSY		02



Item	Code	Description	See page	QT
01	0521061064	85,72 X 510 CYLINDER CASE		01
02	0521067533	50,80 X 697 EXTENSOR		01
03	0503010042	2-214 N 3006-9B O'RING		01
04	0503010063	1" SELF-ALIGNING NUT		01
05	0503030385	CYLINDER PLUG N-002		02
06	0503010002	1800 GREASE FITTING		02
07	0571019710	1.7" X 3.4" PISTON		01
08	0503017935	RING		01
09	0503018144	RING		01
10	0581013227	85,72 MOVEEL COVER		01
11	0581013228	50,80 X 85,72 SUPPORT RINGS		01
12	0503017940	8-337 BACK-UP RING		02
13	0503017939	2-337 N 3006-9B O' RING		02
14	0503010039	D-2000 SCRAPER RING		01
15	0503018026	1870-2000-375 B GASKET		01
16	0503018025	RING GUIDE		01
17	0503018024	RING BS		01



Item	Code	Description	See page	QT
01	0503060100	OPERATOR'S MANUAL STORAGE TUBE		01
02	0503010267	NYLON CLAMP		01
03	0503010363	5/16" X 1" BOLT		01
04	0501010694	FLAT WASHER		01
05	0503010179	LOCK WASHER		01
06	0503010337	5/16" NUT		01



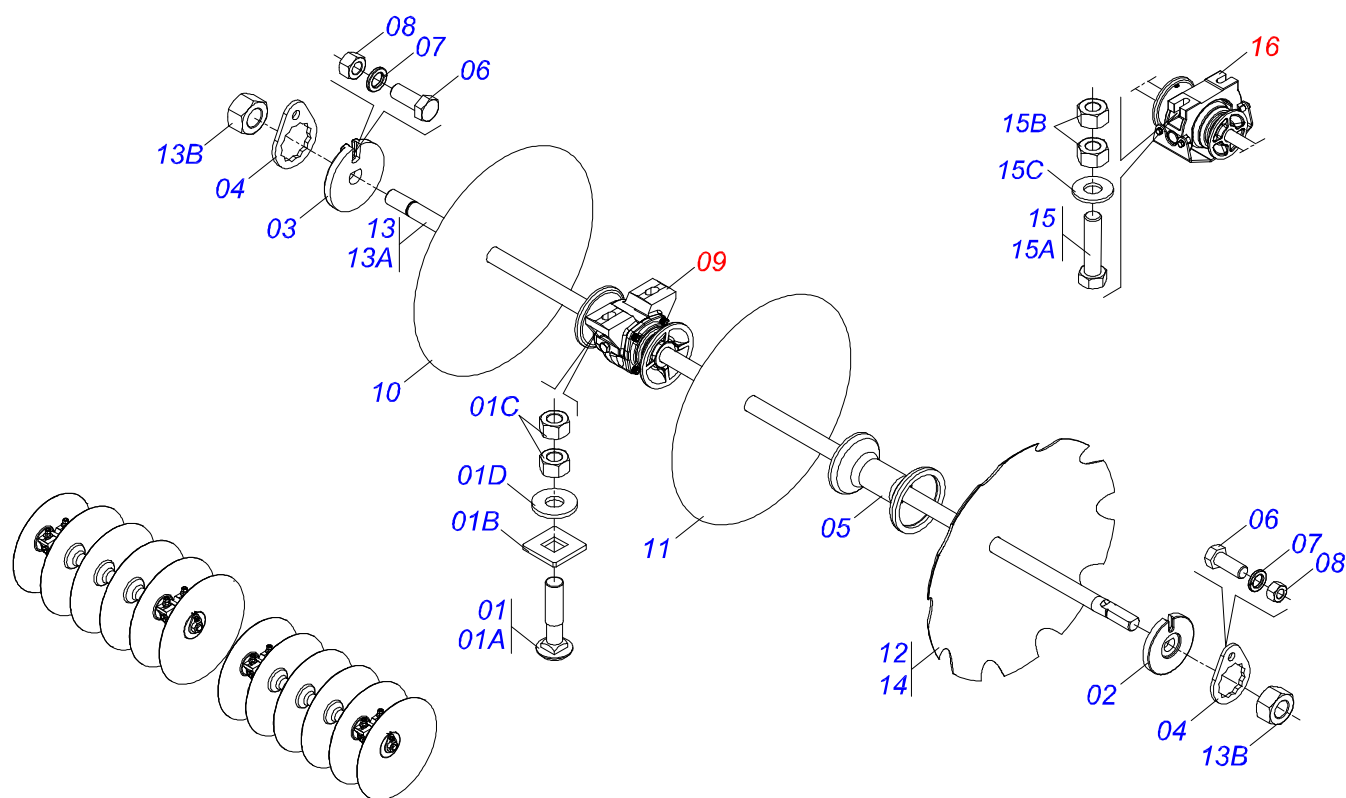
Item	Code	Description	See page	QT
01	0501058802	5/8 UNC X 2.3/4 BOLT ASSY		04
01A	0503015154	5/8" X 2.3/4" BOLT		01
01B	0501010947	5/8 NUT LOCK		01
01C	0503010013	5/8" NUT		02
01D	0501012140	FLAT WASHER		01
02	0502010835	1-1/4" EXTERNAL AXLE WASHER		01
03	0502010834	1-1/4" INNER AXLE WASHER		01
04	0501010455	1.1/4" NUT LOCK		02
05	0502010549	7.6" X 1-1/4" SPACER		03
06	0503010395	1/2" X 1-1/4" BOLT		02
07	0503010019	1/2" SPRING WASHER		02
08	0503010013	5/8" NUT		02
09	0501046913	GX 7" 1-1/4" BEARING ASSY	17	02
10	0601027301	20" X 3,5 PLAIN DISC BLADE		01
11	0601029417	PLAIN DISC BLADE		11
12.	0602027342	DR20X4,5 C57AF02FR1.5/16 10R TATU		01
12..	0602025259	DR18X3 C45AF02FR1.5/16 9REC TATU		01
12...	0602025251	DR18X3,5 C45AF02FC31,75 D247 9REC		01
12....	0602027340	20" X 3,5 NOTCHED DISC BLADE		01
12.....	0602029420	22" X 3,5 NOTCHED DISC BLADE		11
13	0501042201	1.1/4" X 1090 AXLE WITH NUTS		01
13A	0501016649	1.1/4" X 1090 AXLE		01
13B	0501810087	NUT - 1.1/4 UNC 7FPP (SEXT.2) SA		02
14	0602027304	DR20X4 C52AFPAFR70+4FR D191 10R AUS		11
14.	0602029418	DR22X4 C64AF02FR1.9/16 10R TATU		11
14..	0602029421	NOTCHED DISC		11
14...	0602027301	NOTCHED DISC		11
14....	0602027342	DR20X4,5 C57AF02FR1.5/16 10R TATU		11
15	0521059224	SCREW ASSEMBLY		04
15A	0501013233	5/8" X 2-3/4" BOLT		01
15B	0503010013	5/8" NUT		02



GNFM 48D - PA
RIGHT REAR GANG DISC

Page 7
0909098879

Item	Code	Description	See page	QT
15C	0501012140	FLAT WASHER		01
16	0521047189	BEARING 192,5 X 1.1/4 OSC IMP GN	18	02



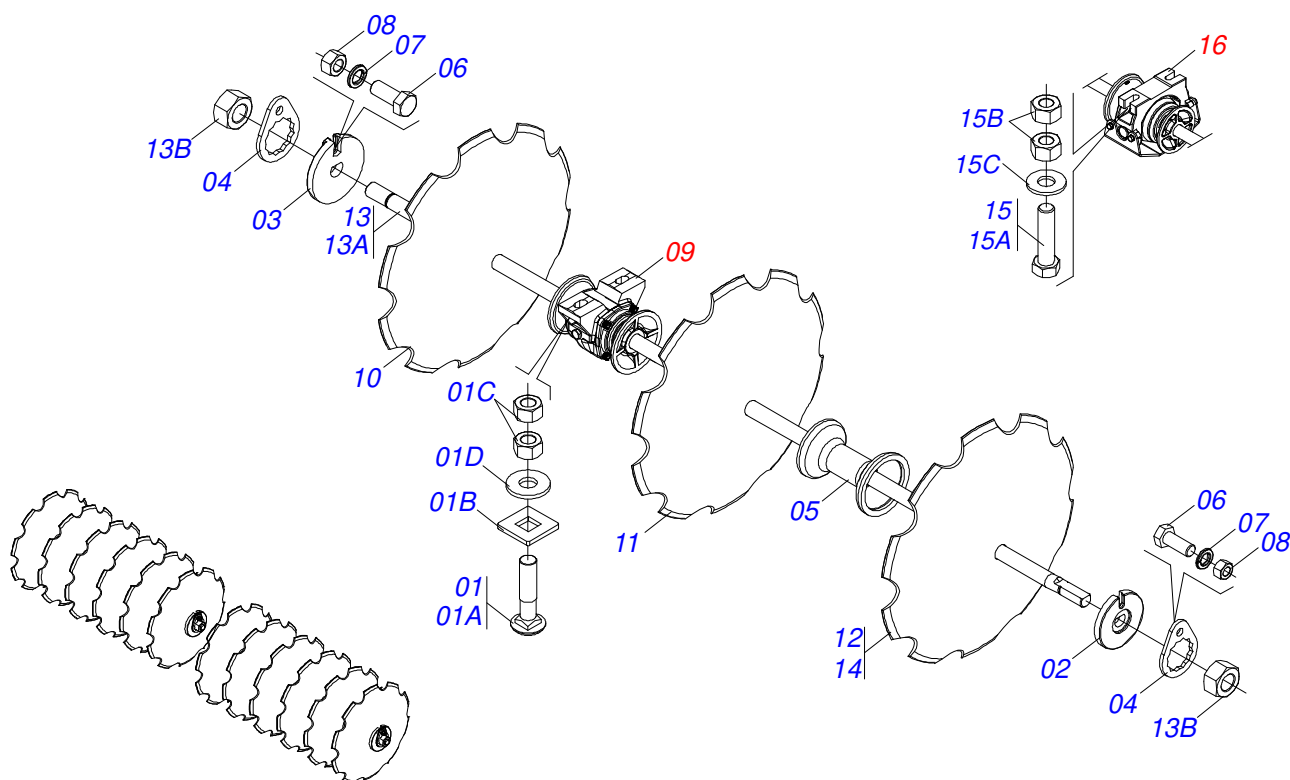
Item	Code	Description	See page	QT
01	0501058802	5/8 UNC X 2.3/4 BOLT ASSY		04
01A	0503015154	5/8" X 2.3/4" BOLT		01
01B	0501010947	5/8 NUT LOCK		01
01C	0503010013	5/8" NUT		02
01D	0501012140	FLAT WASHER		01
02	0502010835	1-1/4" EXTERNAL AXLE WASHER		01
03	0502010834	1-1/4" INNER AXLE WASHER		01
04	0501010455	1.1/4" NUT LOCK		02
05	0502010549	7.6" X 1-1/4" SPACER		03
06	0503010395	1/2" X 1-1/4" BOLT		02
07	0503010019	1/2" SPRING WASHER		02
08	0503010013	5/8" NUT		02
09	0501046913	GX 7" 1-1/4" BEARING ASSY	17	02
10	0601027301	20" X 3,5 PLAIN DISC BLADE		02
11	0601029417	PLAIN DISC BLADE		02
12	0602027342	DR20X4,5 C57AF02FR1.5/16 10R TATU		01
12.	0602025251	DR18X3,5 C45AF02FC31,75 D247 9REC		01
12..	0602025259	DR18X3 C45AF02FR1.5/16 9REC TATU		01
12...	0602027340	20" X 3,5 NOTCHED DISC BLADE		11
12....	0602027304	DR20X4 C52AFPAFR70+4FR D191 10R AUS		11
13	0501042201	1.1/4" X 1090 AXLE WITH NUTS		01
13A	0501016649	1.1/4" X 1090 AXLE		01
13B	0501810087	NUT - 1.1/4 UNC 7FPP (SEXT.2) SA		02
14	0602027342	DR20X4,5 C57AF02FR1.5/16 10R TATU		11
14.	0602027301	NOTCHED DISC		11
14..	0602029421	NOTCHED DISC		11
14...	0602029418	DR22X4 C64AF02FR1.9/16 10R TATU		11
15	0521059224	SCREW ASSEMBLY		04
15A	0501013233	5/8" X 2-3/4" BOLT		01
15B	0503010013	5/8" NUT		02
15C	0501012140	FLAT WASHER		01



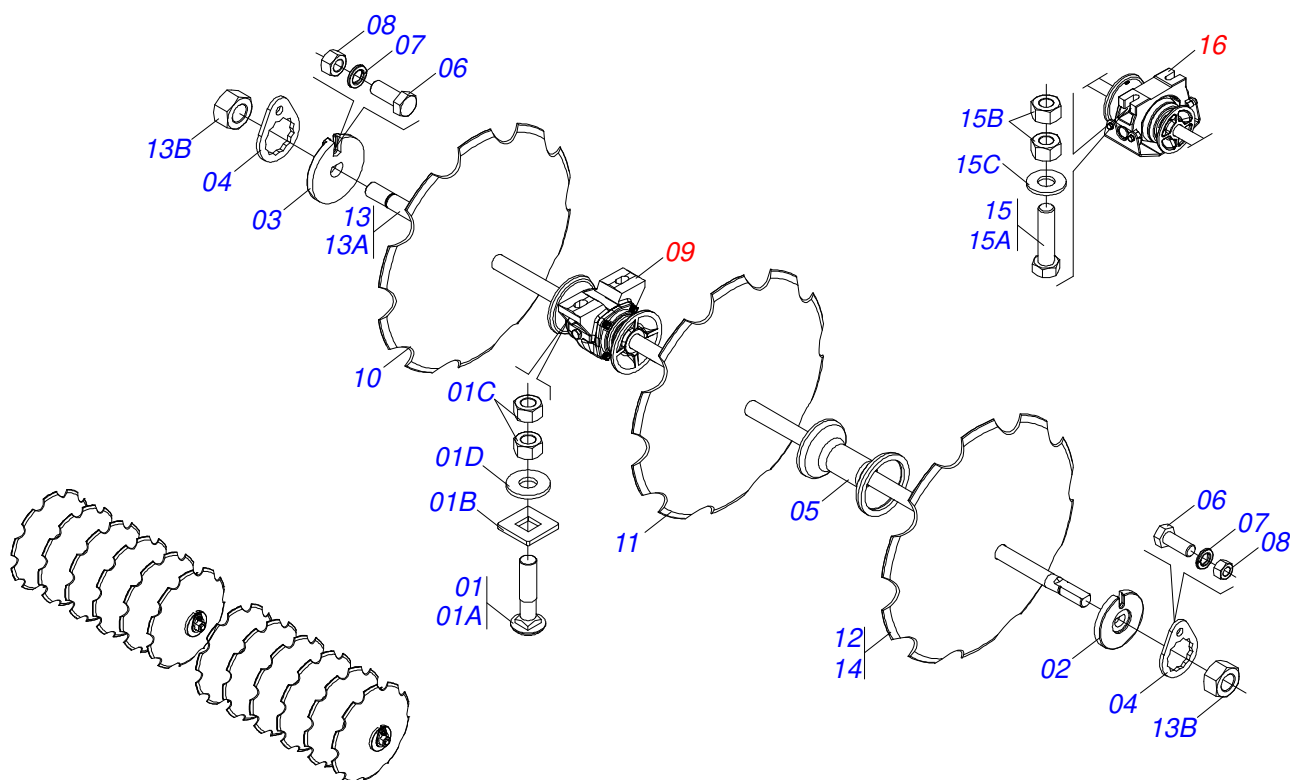
GNFM 48D - PA
LEFT REAR GANG DISC

Page 8
0909098880

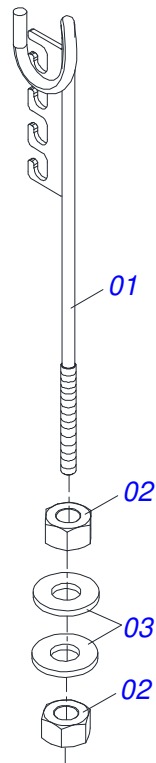
Item	Code	Description	See page	QT
16	0521047189	BEARING 192,5 X 1.1/4 OSC IMP GN	18	02



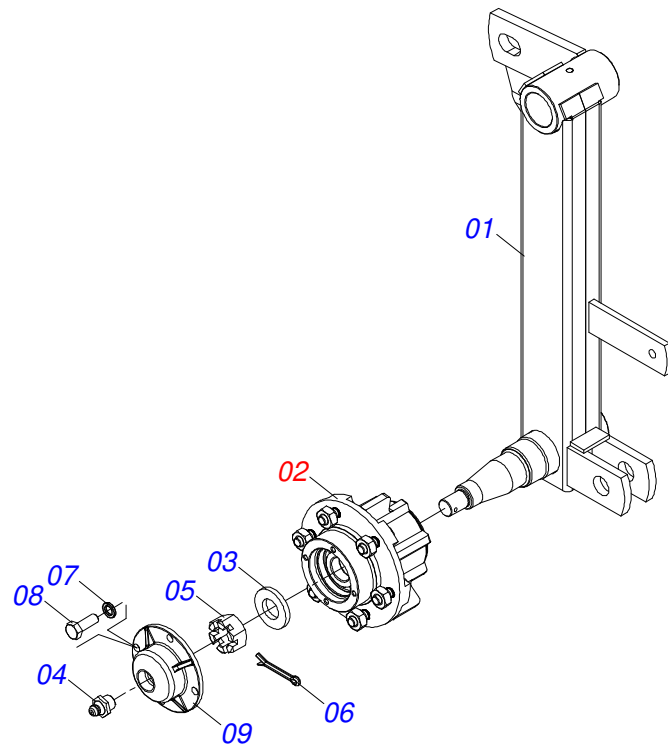
Item	Code	Description	See page	QT
01	0501058802	5/8 UNC X 2.3/4 BOLT ASSY		04
01A	0503015154	5/8" X 2.3/4" BOLT		01
01B	0501010947	5/8 NUT LOCK		01
01C	0503010013	5/8" NUT		02
01D	0501012140	FLAT WASHER		01
02	0502010835	1-1/4" EXTERNAL AXLE WASHER		01
03	0502010834	1-1/4" INNER AXLE WASHER		01
04	0501010455	1.1/4" NUT LOCK		02
05	0502010549	7.6" X 1-1/4" SPACER		03
06	0503010395	1/2" X 1-1/4" BOLT		02
07	0503010019	1/2" SPRING WASHER		02
08	0503010013	5/8" NUT		02
09	0501046913	GX 7" 1-1/4" BEARING ASSY	17	02
10	0602029421	NOTCHED DISC		12
11	0602027340	20" X 3,5 NOTCHED DISC BLADE		12
12	0602029420	22" X 3,5 NOTCHED DISC BLADE		12
13	0501042201	1.1/4" X 1090 AXLE WITH NUTS		01
13A	0501016649	1.1/4" X 1090 AXLE		01
13B	0501810087	NUT - 1.1/4 UNC 7FPP (SEXT.2) SA		02
14	0602027342	DR20X4,5 C57AF02FR1.5/16 10R TATU		12
15	0521059224	SCREW ASSEMBLY		04
15A	0501013233	5/8" X 2-3/4" BOLT		01
15B	0503010013	5/8" NUT		02
15C	0501012140	FLAT WASHER		01
16	0521047189	BEARING 192,5 X 1.1/4 OSC IMP GN	18	02



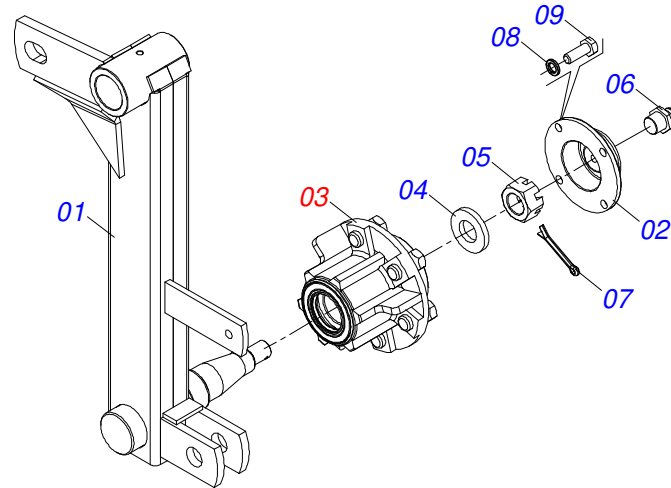
Item	Code	Description	See page	QT
01	0501058802	5/8 UNC X 2.3/4 BOLT ASSY		04
01A	0503015154	5/8" X 2.3/4" BOLT		01
01B	0501010947	5/8 NUT LOCK		01
01C	0503010013	5/8" NUT		02
01D	0501012140	FLAT WASHER		01
02	0502010835	1-1/4" EXTERNAL AXLE WASHER		01
03	0502010834	1-1/4" INNER AXLE WASHER		01
04	0501010455	1.1/4" NUT LOCK		02
05	0502010549	7.6" X 1-1/4" SPACER		03
06	0503010395	1/2" X 1-1/4" BOLT		02
07	0503010019	1/2" SPRING WASHER		02
08	0503010013	5/8" NUT		02
09	0501046913	GX 7" 1-1/4" BEARING ASSY	17	02
10	0602029421	NOTCHED DISC		12
11	0602027340	20" X 3,5 NOTCHED DISC BLADE		12
12	0602029420	22" X 3,5 NOTCHED DISC BLADE		12
13	0501042201	1.1/4" X 1090 AXLE WITH NUTS		01
13A	0501016649	1.1/4" X 1090 AXLE		01
13B	0501810087	NUT - 1.1/4 UNC 7FPP (SEXT.2) SA		02
14	0602027342	DR20X4,5 C57AF02FR1.5/16 10R TATU		12
15	0521059224	SCREW ASSEMBLY		04
15A	0501013233	5/8" X 2-3/4" BOLT		01
15B	0503010013	5/8" NUT		02
15C	0501012140	FLAT WASHER		01
16	0521047189	BEARING 192,5 X 1.1/4 OSC IMP GN	18	02



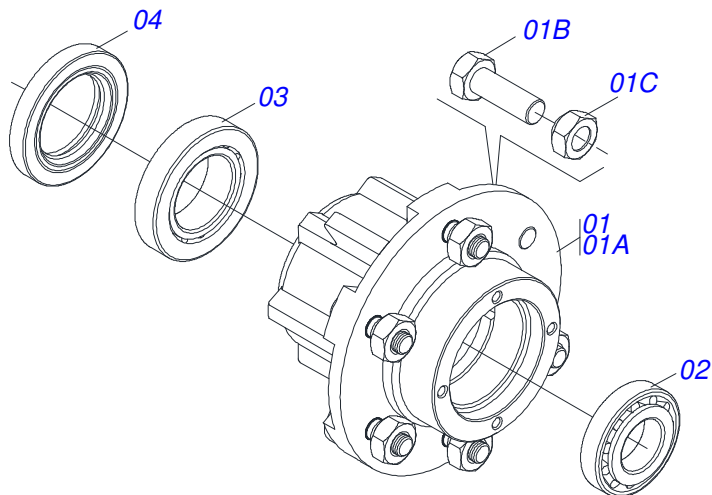
Item	Code	Description	See page	QT
01	0511067334	HOSE SOPPORT ASSY		01
02	0503010014	3/4" NUT		02
03	0501010322	FLAT WASHER		02



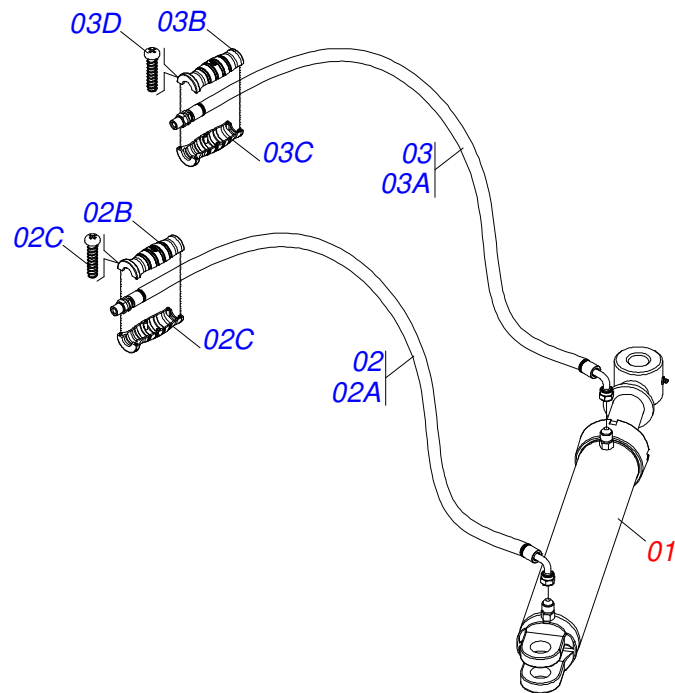
Item	Code	Description	See page	QT
01	0501069091	LEFT CARRYING-W FIXATION SUPPORT		01
02	0501051142	CARRYING WHEEL HUB	14	01
03	0501016545	FLAT WASHER		01
04	0503010002	1800 GREASE FITTING		01
05	0503030009	1" CASTLE NUT		01
06	0503010018	5/32 X 1-1/2 COTTERPIN		01
07	0503011444	SPRING WASHER		04
08	0503010358	5/16" X 5/8" BOLT		04
09	0502020591	PROTECCION COVER		01



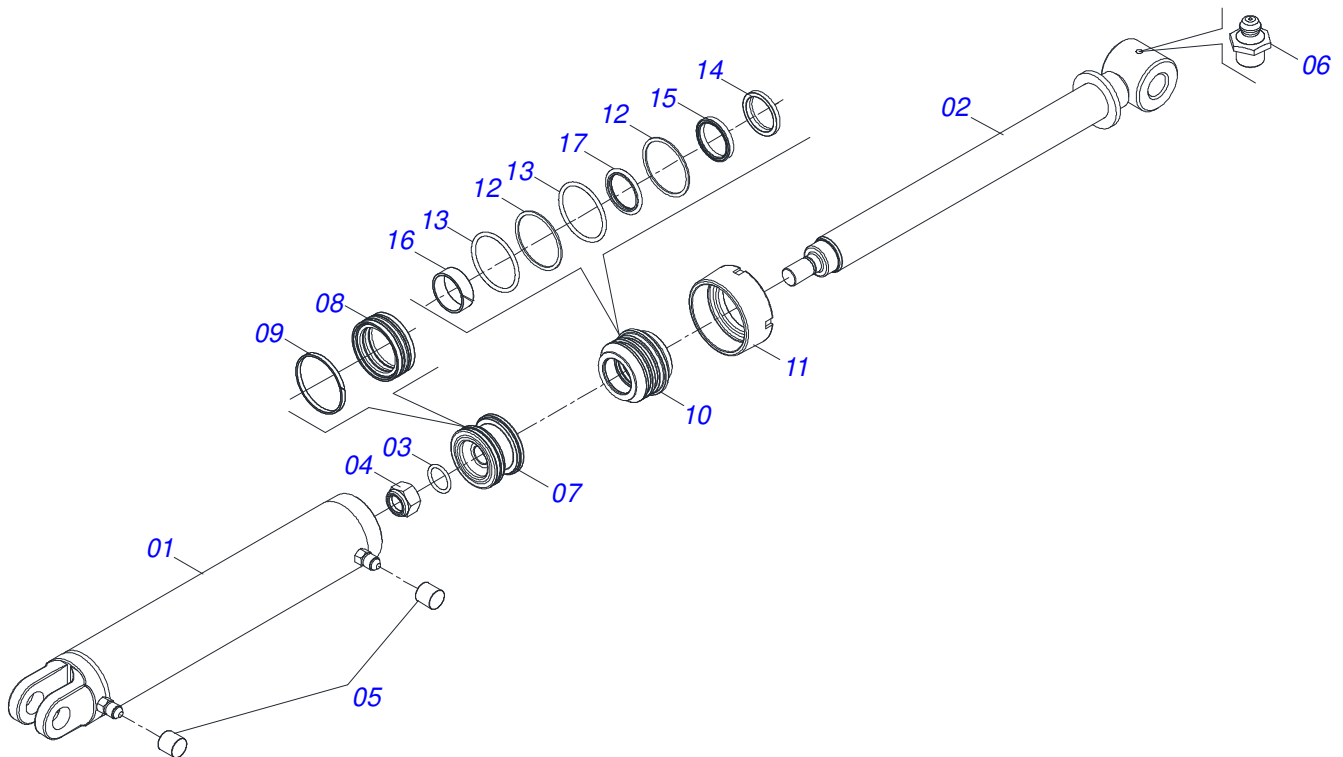
Item	Code	Description	See page	QT
01	0501068991	RIG CARRYING-WHEEL FIXATION SUPPORT		01
02	0502020591	PROTECCION COVER		01
03	0501051142	CARRYING WHEEL HUB	14	01
04	0501016545	FLAT WASHER		01
05	0503030009	1" CASTLE NUT		01
06	0503010002	1800 GREASE FITTING		01
07	0503010018	5/32 X 1-1/2 COTTERPIN		01
08	0503011444	SPRING WASHER		04
09	0503010358	5/16" X 5/8" BOLT		04



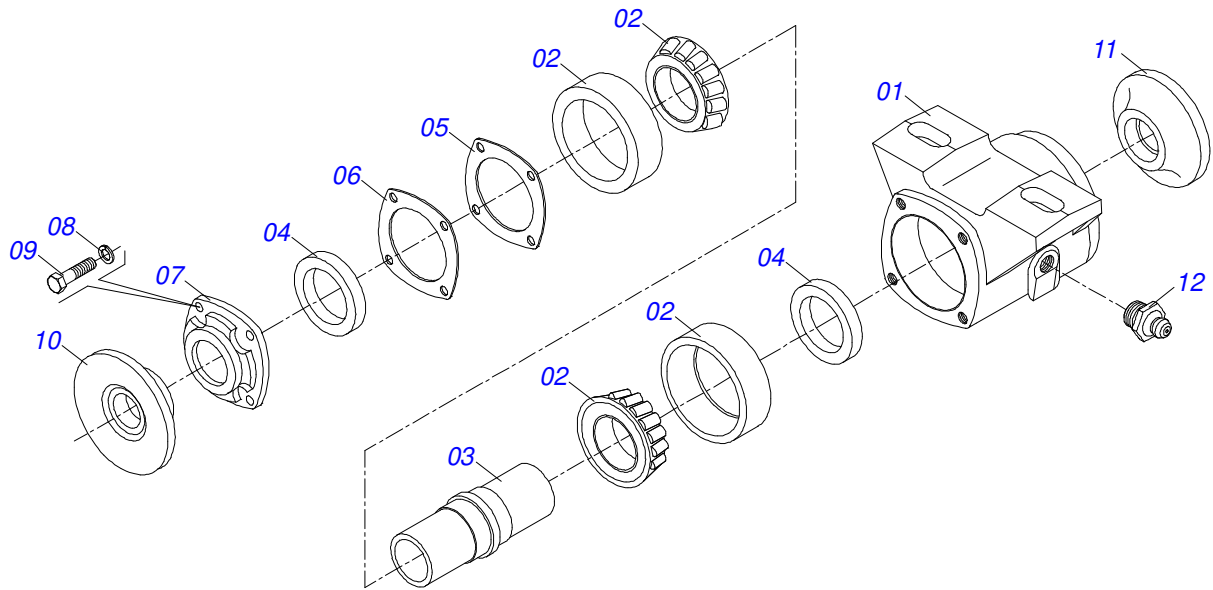
Item	Code	Description	See page	QT
01	0501110728	WHEEL HUB		01
01A	0502011121	CARRYING WHEEL HUB		01
01B	0501010127	9/16" X 1-7/8" LUG BOLT		06
01C	0503010035	9/16" CONIC NUT		06
02	0503010037	30207 ROLLER BEARING		01
03	0503010006	32210 ROLLER BEARING		01
04	0503012928	SEAL		01



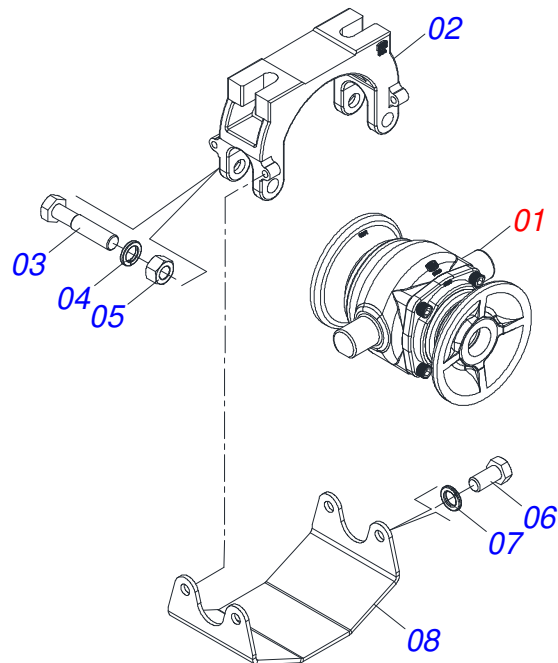
Item	Code	Description	See page	QT
01	0511058461	HYDRAULIC CYLINDER	16	01
02	0521053414	HOSE 3/8 X 4500 TC-TM PURPLE/BLUE		01
02A	0501080362	3/8" X 177" TC-TM HOSE		01
02B	0503034491	HYDRAULIC HOSE GRIP (PURPLE)		01
02C	0503034494	HYDRAULIC HOSE GRIP (BLUE)		01
02D	0503018952	PLASTIC BOLT		06
03	0521053413	HOSE 3/8 X 4500 TC-TM PURPLE/RED		01
03A	0501080362	3/8" X 177" TC-TM HOSE		01
03B	0503034491	HYDRAULIC HOSE GRIP (PURPLE)		01
03C	0503034495	HYDRAULIC HOSE GRIP (RED)		01
03D	0503018952	PLASTIC BOLT		06



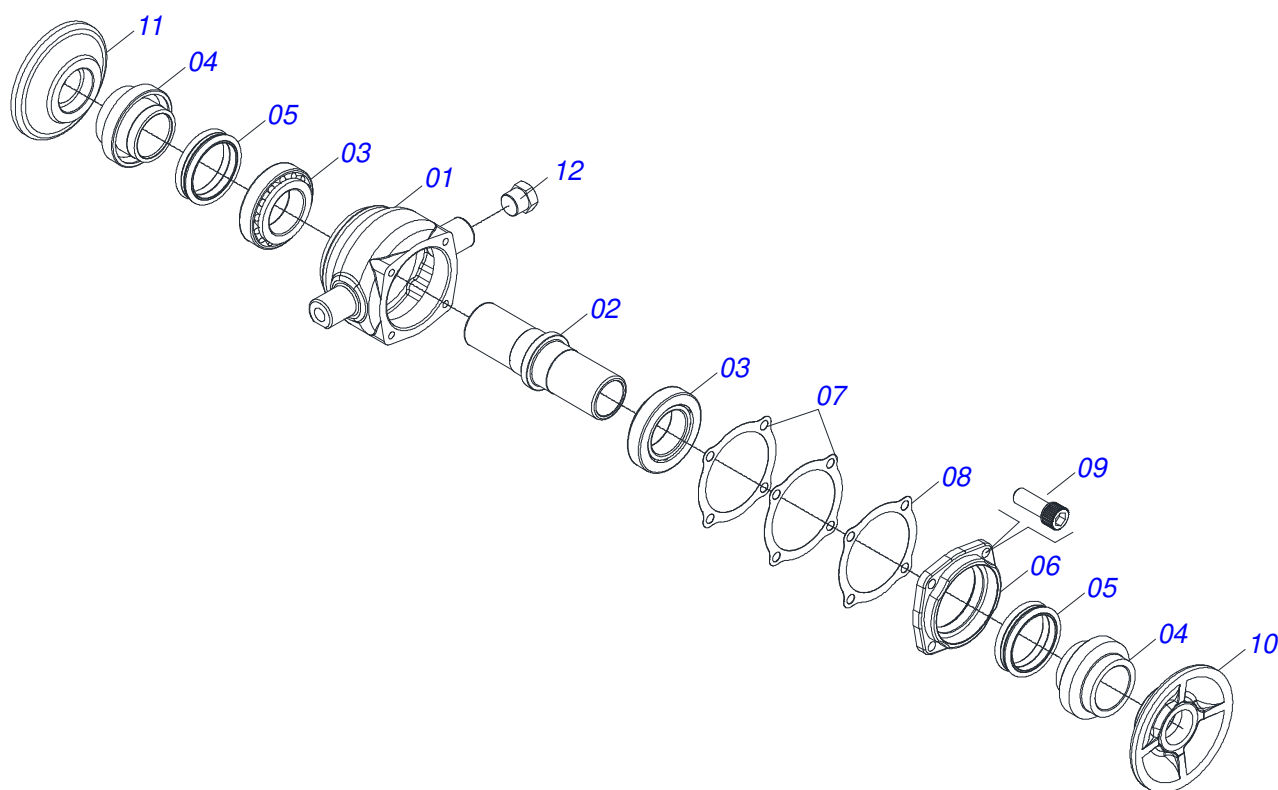
Item	Code	Description	See page	QT
01	0521063982	CYLINDER CASE		01
02	0521067533	50,80 X 697 EXTENSOR		01
03	0503010042	2-214 N 3006-9B O'RING		01
04	0503010063	1" SELF-ALIGNING NUT		01
05	0503030385	CYLINDER PLUG N-002		02
06	0503010002	1800 GREASE FITTING		01
07	0571019710	1.7" X 3.4" PISTON		01
08	0503017935	RING		01
09	0503018144	RING		01
10	0581013228	50,80 X 85,72 SUPPORT RINGS		01
11	0581013227	85,72 MOVE COVER		01
12	0503017940	8-337 BACK-UP RING		02
13	0503017939	2-337 N 3006-9B O' RING		02
14	0503010039	D-2000 SCRAPER RING		01
15	0503018026	1870-2000-375 B GASKET		01
16	0503018025	RING GUIDE		01
17	0503018024	RING BS		01



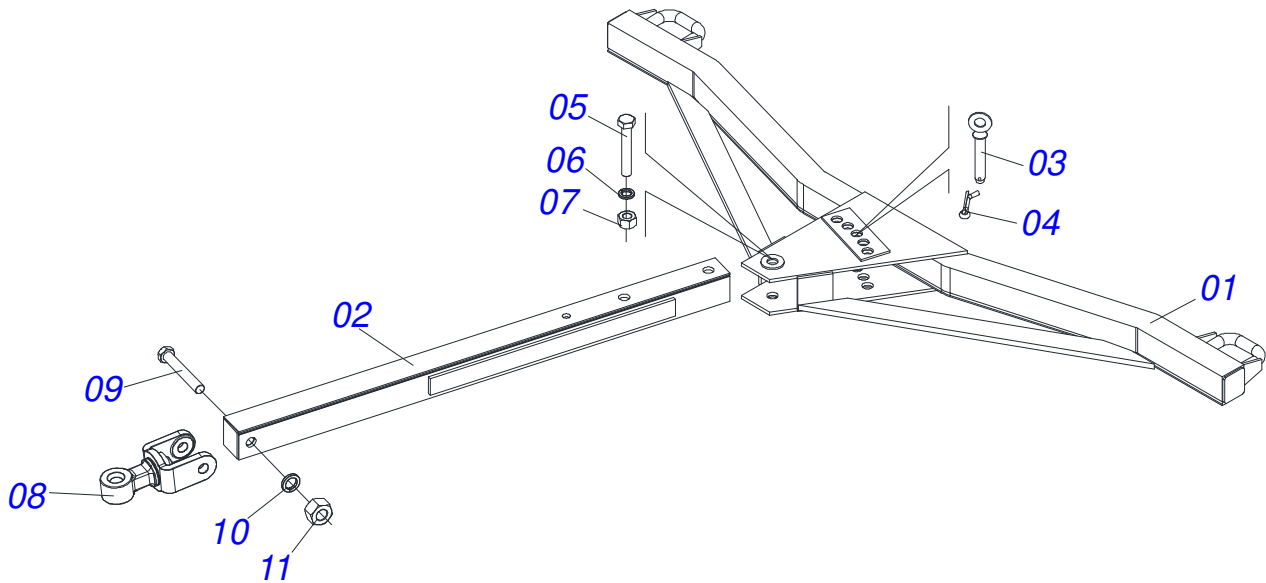
Item	Code	Description	See page	QT
01	0502020313	HOUSING CM		01
02	0503010111	30210 ROLLER BEARING		02
03	0502040218	AXLE		01
04	0503010468	SEAL 01199-GB		02
05	0503030013	4.4" X 3.5" X 0.004" JOINT		02
06	0503030684	4.4" X 3.5" X 0.004" JOINT		01
07	0502020273	HOUSING CAP CM		01
08	0503011443	3/8" SPRING WASHER		04
09	0503810237	3/8 UNC X 1 C S G.5 SA BOLT		04
10	0502010070	OUTER FLANGE		01
11	0502010071	INNER FLANGE		01
12	0503010002	1800 GREASE FITTING		01



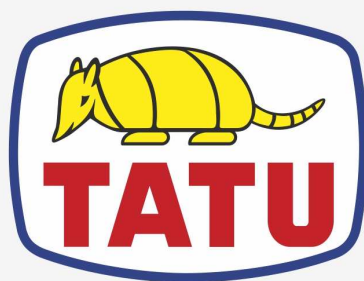
Item	Code	Description	See page	QT
01	0521050842	CHUMACERA 192,5 X 1.1/4 IMP	19	01
02	0502012854	BEARING SUPPORT		01
03	0501011541	5/8" X 3" BOLT		02
04	0503010027	5/8" SPRING WASHER		02
05	0503010013	5/8" NUT		02
06	0503011334	BOLT 3/8 UNC X 3/4 CS G.5 ZN		04
07	0503010025	3/8" SPRING WASHER		04
08	0581014143	SWIVEL OIL BATH BEARING WEAR PLATE		01



Item	Code	Description	See page	QT
01	0502012839	BEARING HOUSING		01
02	0502040060	AXLE CM/DM 182/192,5 SKF 32210		01
03	0503010006	32210 ROLLER BEARING		02
04	0502010541	SEAL RETAINER		02
05	0503030026	SEAL LP JB-253		02
06	0502020424	HOUSING CAP		01
07	0503030013	4.4" X 3.5" X 0.004" JOINT		02
08	0503030684	4.4" X 3.5" X 0.004" JOINT		01
09	0503010134	3/8" X 1" BOLT		04
10	0502010070	OUTER FLANGE		01
11	0502010071	INNER FLANGE		01
12	0503010856	OIL PLUG		02
13	3402301247	MINERAL OIL GREASE		00



Item	Code	Description	See page	QT
001	0511069390	OFFSET BAR		01
002	0501060188	DRAWBAR ASSY		01
003	0501068993	0.9" X 5.5" COUPLING SHAFT		01
004	0503010523	1/4" X 2" COTTERPIN		02
005	0501010191	1" X 6" BOLT		01
006	0503011438	SPRING WASHER		01
007	0501010059	1.5/8 NUT		01
008	0521061775	TRACTOR HITCH		01
009	0501010060	1" X 6-1/2" BOLT		01
010	0503011438	SPRING WASHER		01
011	0501010059	1.5/8 NUT		01



MARCHESAN

Technical Publications | Elaboration and Revision

LORENA ROCHA ALVES

www.marchesan.com.br

