

**AUXILIARY PRODUCTS**

## **LTA 5000 VEH**

**Code:** 0501092682  
**Series:** S-0917  
**Revision:** 00  
**Date Revision:** JUNHO/2022

# **PARTS CATALOGUE**



**MARCHESAN**



# PRODUCTS

Code	Description	
0106060063	LTA 5000 C/PN11L15 CUBO 6F VEH	S-0917
0106060048	LTA 5000 C/PN12.4-24 CUBO 8F VEH	S-0917

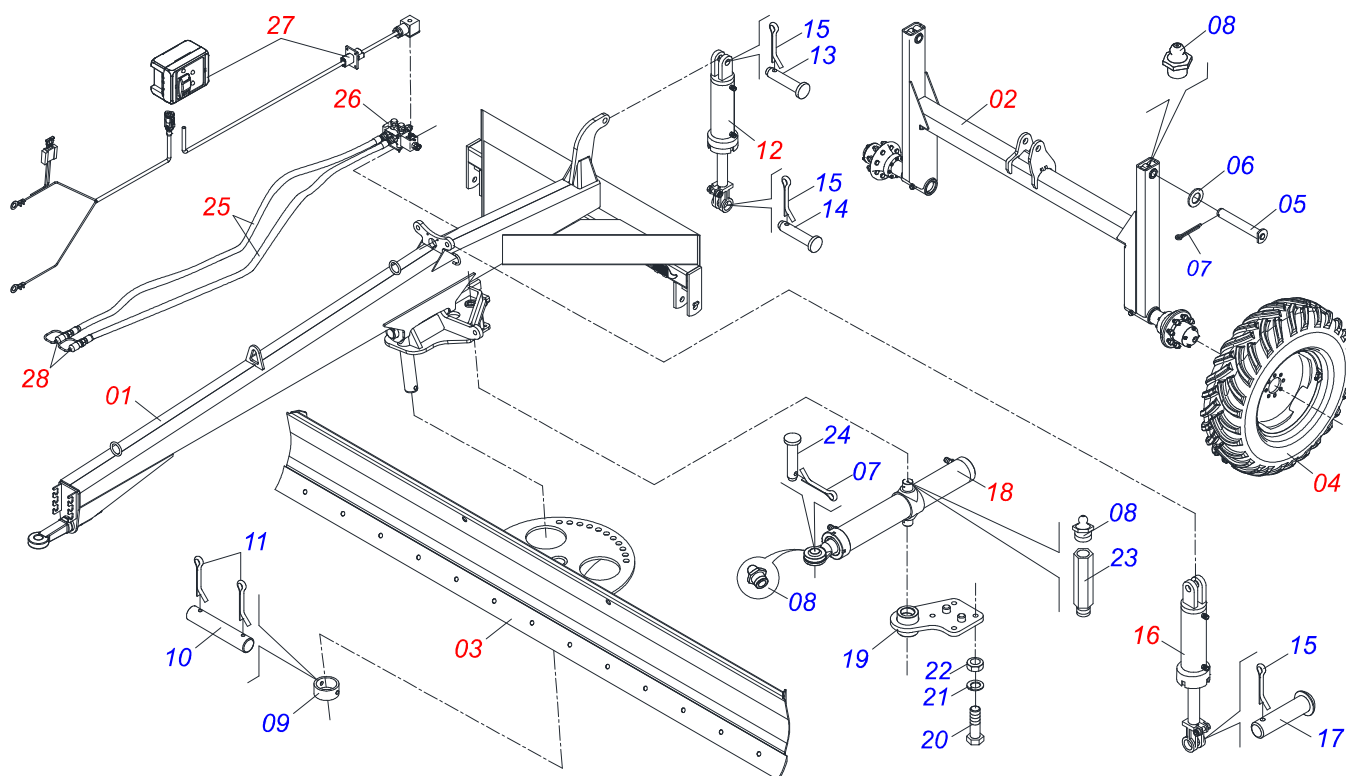
## ATTENTION: IMPORTANT

Marchesan S.A. reserves the right to improve and/or modify the technical features of its products, without obligation to do the same with those products already sold and without prior knowledge of the dealer or the consumer. The photos are only illustrative.

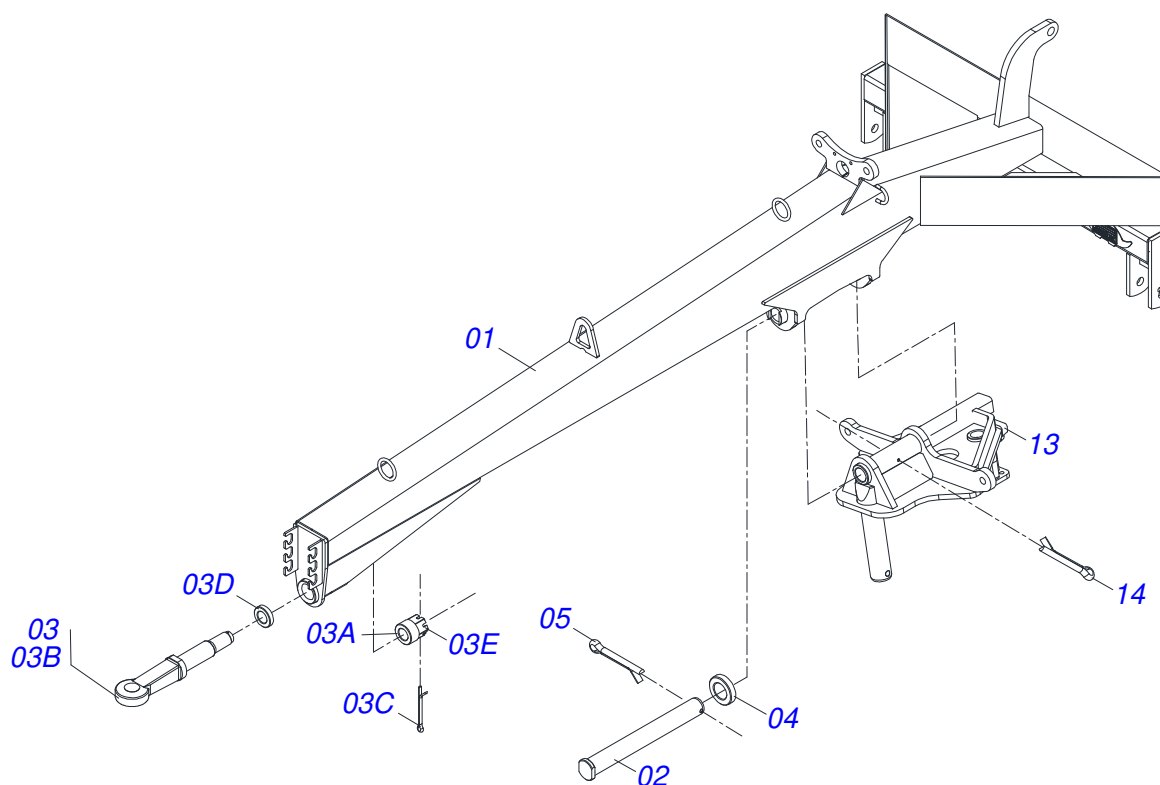


# INDEX

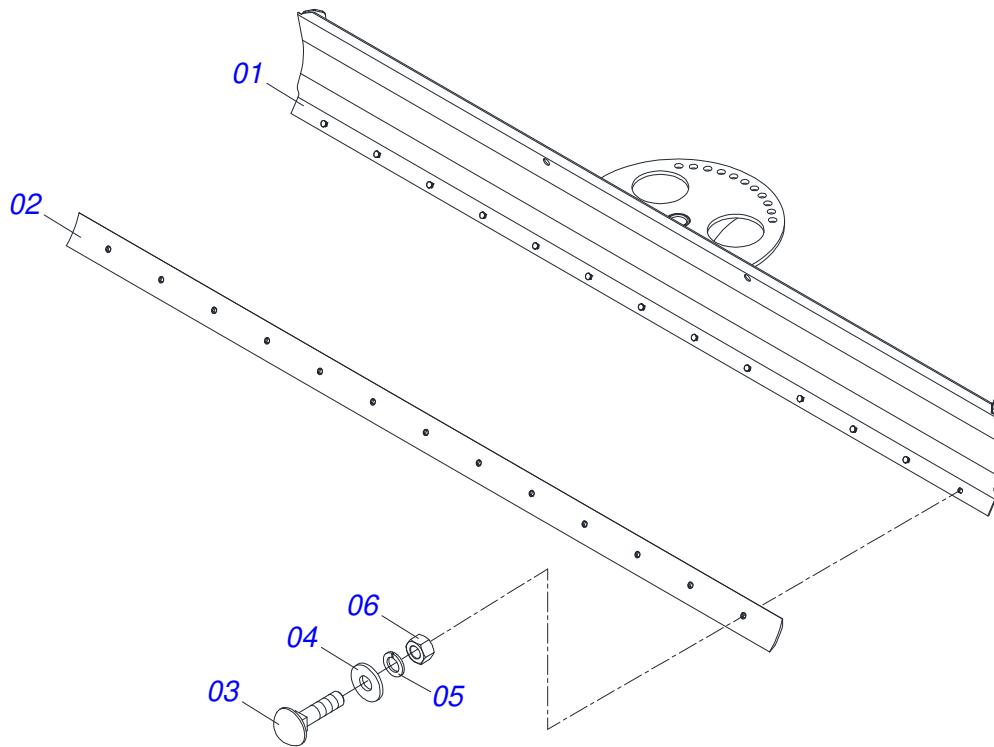
0909098842	FRAME ASSY	.....	1
0521040858	ASSY FRAME	.....	2
0521040857	DOZER BLADE ASSY	.....	3
0511049211	WHEELED	.....	4
0501055907	STUB SHAFT & HUB ASSY	.....	5
0511049212	WHEEL	.....	6
0511050649	WHEEL	.....	7
0511059222	WHEEL WITH TIRE RIGHT SIDE	.....	8
0511059223	WHEEL WITH LEFT SIDE TIRE	.....	9
0511058426	HYDRAULIC CYLINDER	.....	10
0511058413	HYDRAULIC CYLINDER	.....	11
0521041913	HYDRAULIC CYLINDER	.....	12
0909098843	HYDRAULIC CIRCUIT	.....	13
0521051828	KIT ELECTRICAL	.....	14
0521051555	SOLENOID VALVE ASSY	.....	15
0501053834	MALE QUICK COUPLER	.....	16



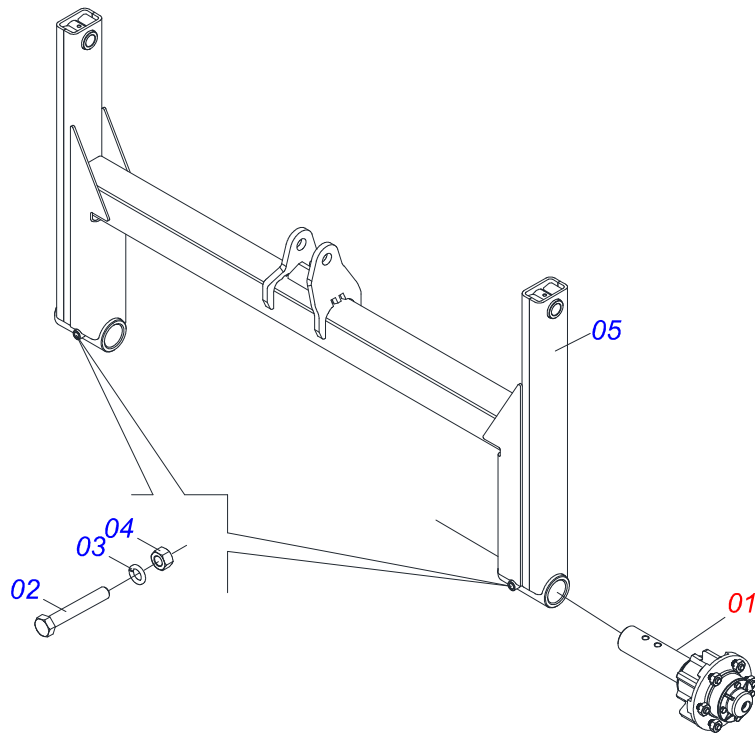
Item	Code	Description	See page	QT
01	0521040858	ASSY FRAME	2	01
02	0511049211	WHEELED	4	01
02.	0511049212	WHEEL	6	01
03	0521040857	DOZER BLADE ASSY	3	01
04	0503060181	WHEEL AND TIRE		02
04.	0511059222	WHEEL WITH TIRE RIGHT SIDE	8	01
04..	0511059223	WHEEL WITH LEFT SIDE TIRE	9	01
05	0561012693	SHAFT JOINT 31.20 X 163		02
06	0501010307	FLAT WASHER		02
07	0503010534	3/8 X 2-1/2 COTTERPIN		03
08	0503010002	1800 GREASE FITTING		08
09	0561012651	SLEEVE 74.50 X 101.60 X 40		01
10	0511013598	3/4" X 4.7" COUPLING SHAFT		01
11	0503010071	3/16" X 1" COTTERPIN		02
12	0511058426	HYDRAULIC CYLINDER	10	01
13	0521012538	1.2" X 3.5" COUPLING SHAFT		01
14	0521810545	1.2" X 5.3" COUPLING SHAFT		01
15	0503010523	1/4" X 2" COTTERPIN		06
16	0511058413	HYDRAULIC CYLINDER	11	02
17	0521010575	C0.9" X 3.3" COUPLING SHAFT		04
18	0521041913	HYDRAULIC CYLINDER	12	01
19	0521063160	FIXER		01
20	0503010899	5/8" X 2-1/4" BOLT		04
21	0503010027	5/8" SPRING WASHER		04
22	0503010013	5/8" NUT		04
23	0501019757	EXTENSION GREASE FITTING		02
24	0511019520	1.5" X 1.4" PIVOT SHAFT		01
25	0521051566	HOSE ASSY		01
26	0521051555	SOLENOID VALVE ASSY	15	01
27	0521051828	KIT ELECTRICAL	14	01
28	0501053834	MALE QUICK COUPLER	16	04



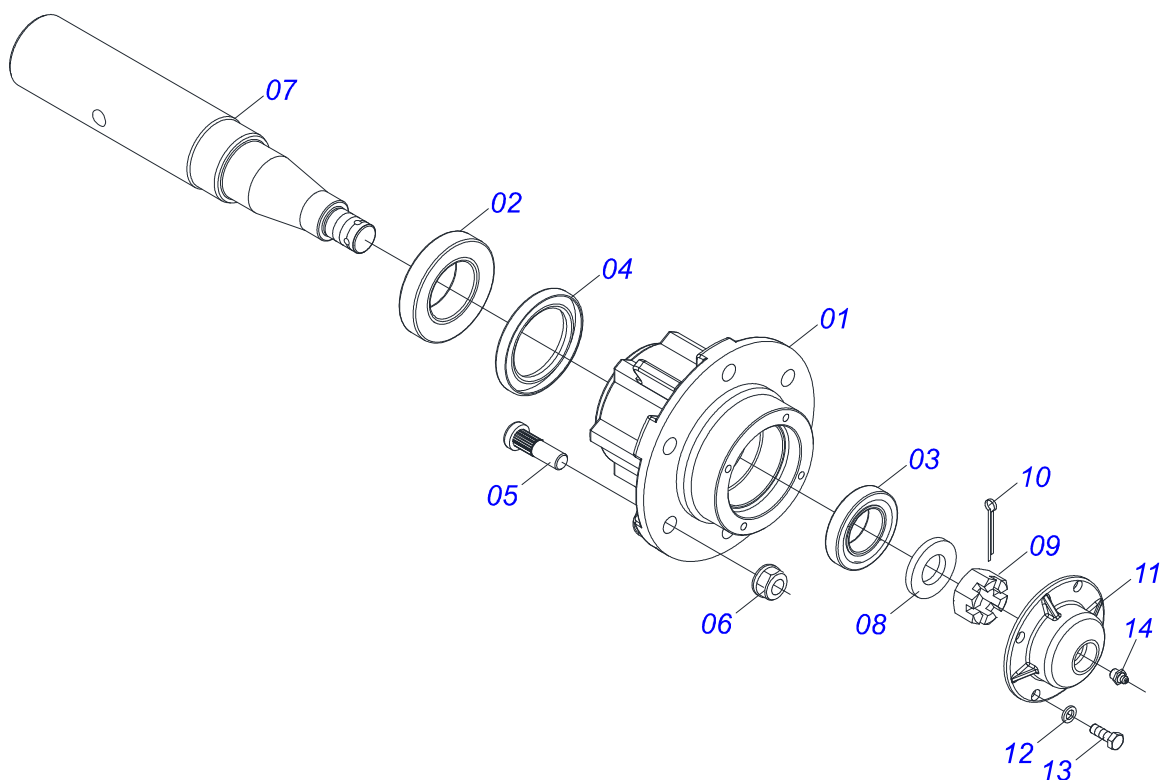
Item	Code	Description	See page	QT
01	0521062069	FRAME		01
02	0561012652	BLADE SHAFT ARTICULATOR		01
03	0503061649	PONTEIRA HITCH SILPA		01
03A	0503017597	BUSH		01
03B	0503017598	POINT		01
03C	0503017599	COTTERPIN		01
03D	0503017600	FLAT WASHER		01
03E	0503017601	CASTLE NUT		01
04	0511019776	FLAT WASHER		01
05	0503012213	1/4" COTTERPIN		01
06	0503034003	SERIAL NUMBER TAG 61 X 118		01
07	0503010001	3.2 X 5.5 RIVET		04
08	0503031428	READ MANUAL DECAL		01
09	0503031827	LUBRICATE AND RETIGHTEN DAILY DECAL		01
10	0503034026	ADHESIVE LABEL		04
11	0503034027	ETIQUETA ADHESIVA		01
12	1882970002	GREASE SOAP		00
13	0521063162	SUPPORT		01
14	0503010073	3/8 X 3-1/2 COTTERPIN		01



Item	Code	Description	See page	QT
01	0521063168	BLADE		01
02	0561017949	REVERSIBLE SCRAPER 4200		01
03	0501012239	5/8" X 1.3/4" BOLT		13
04	0571010265	16.5 X 40 X 3 FLAT WASHER		13
05	0503010013	5/8" NUT		13
06	0503011445	SPRING WASHER		13

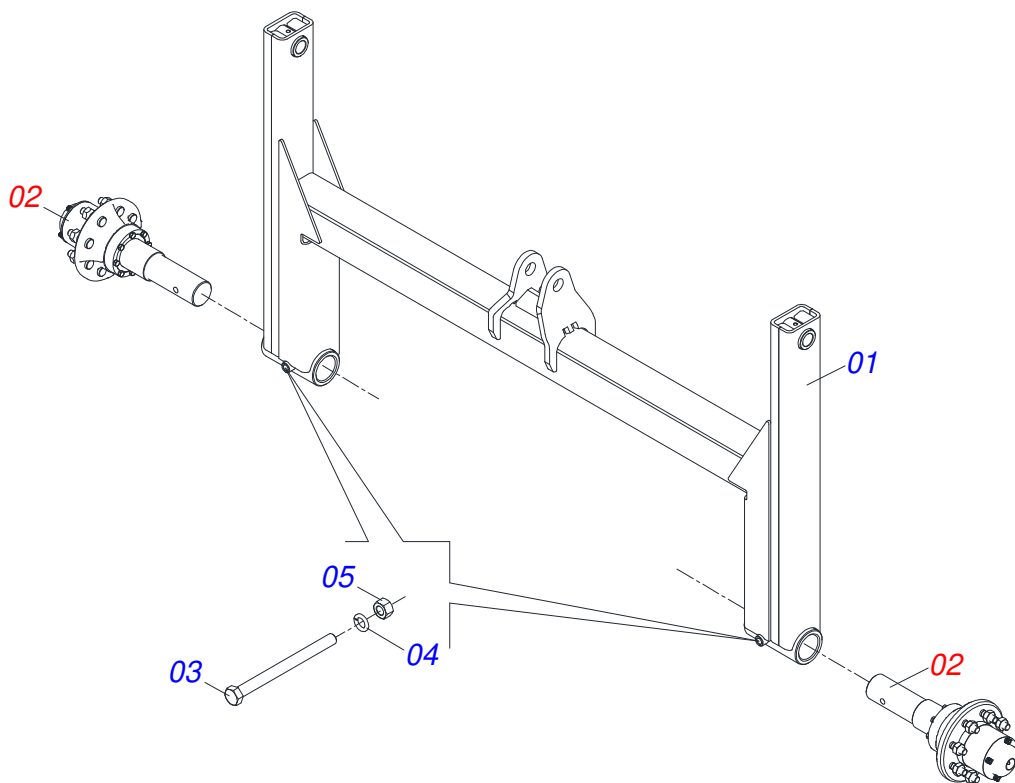


Item	Code	Description	See page	QT
01	0501055907	STUB SHAFT & HUB ASSY	5	02
02	0503016023	1/2 X 6 BOLT		02
03	0503010019	1/2" SPRING WASHER		02
04	0503010060	1/2" NUT		02
05	0521062071	RODE		01

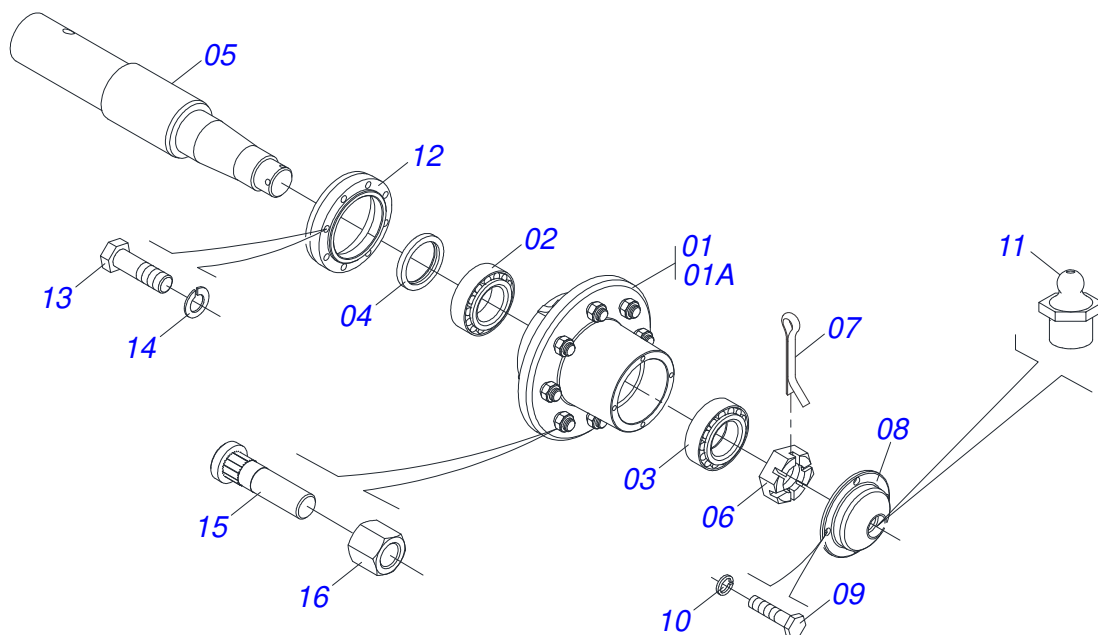


Item	Code	Description	See page	QT
01	0502011121	CARRYING WHEEL HUB		01
02	0503012171	32210 ROLLER BEARING		01
03	0503012170	30207 ROLLER BEARING		01
04	0503012928	SEAL		01
05	0501010127	9/16" X 1-7/8" LUG BOLT		06
06	0503010035	9/16" CONIC NUT		06
07	0541015259	63,40 X 366 AXLE		01
08	0501016545	FLAT WASHER		01
09	0503030009	1" CASTLE NUT		01
10	0503010018	5/32 X 1-1/2 COTTERPIN		01
11	0502020591	PROTECCION COVER		01
12	0503011444	SPRING WASHER		04
13	0503010358	5/16" X 5/8" BOLT		04
14	0503010002	1800 GREASE FITTING		01

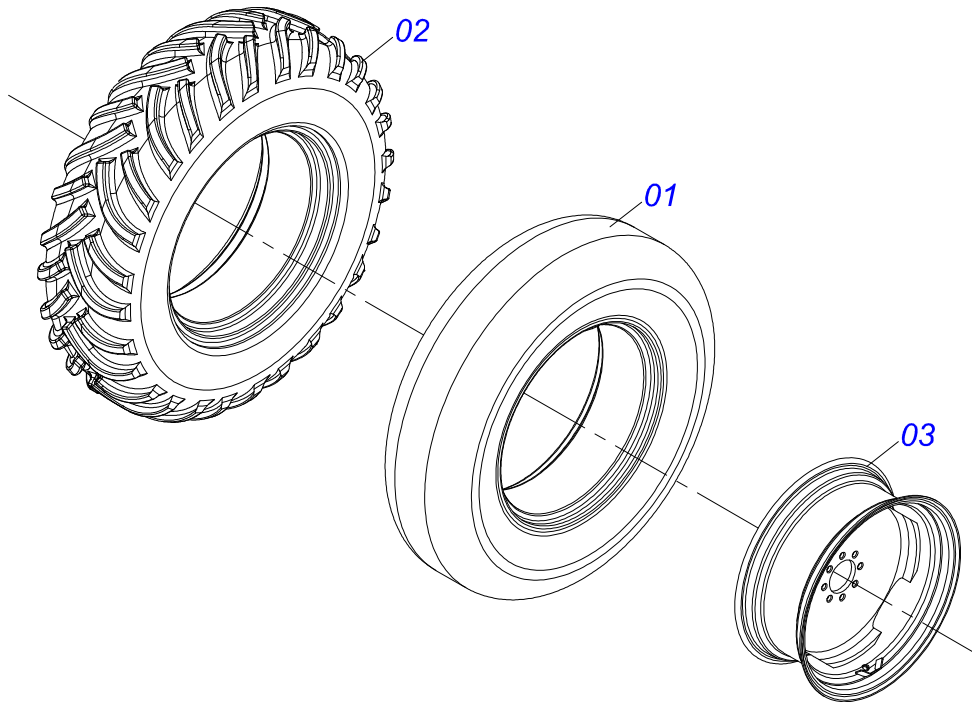




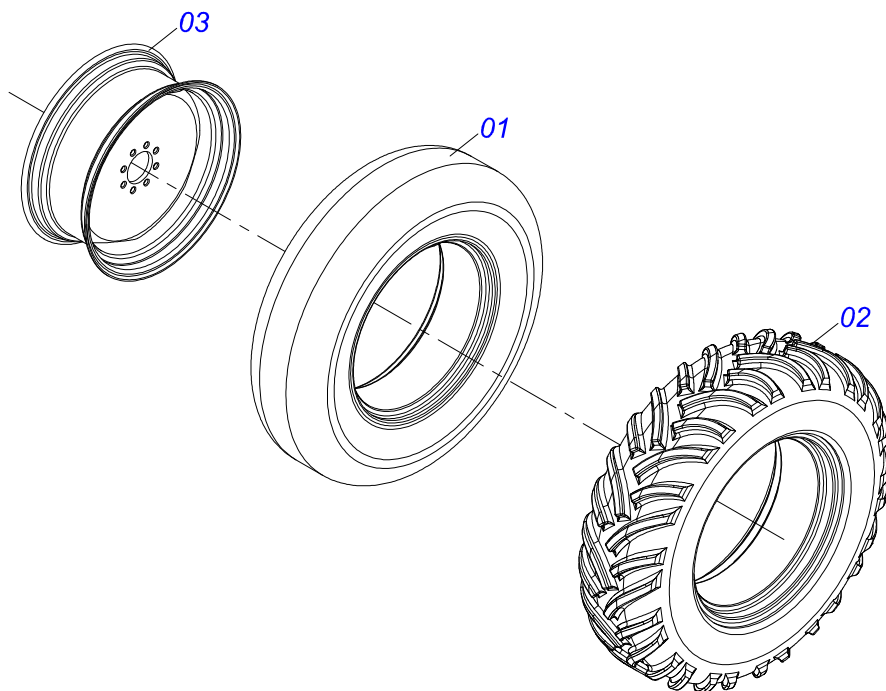
Item	Code	Description	See page	QT
01	0521062071	RODE		01
02	0511050649	WHEEL	7	02
03	0503016023	1/2 X 6 BOLT		02
04	0503010019	1/2" SPRING WASHER		02
05	0503010060	1/2" NUT		02



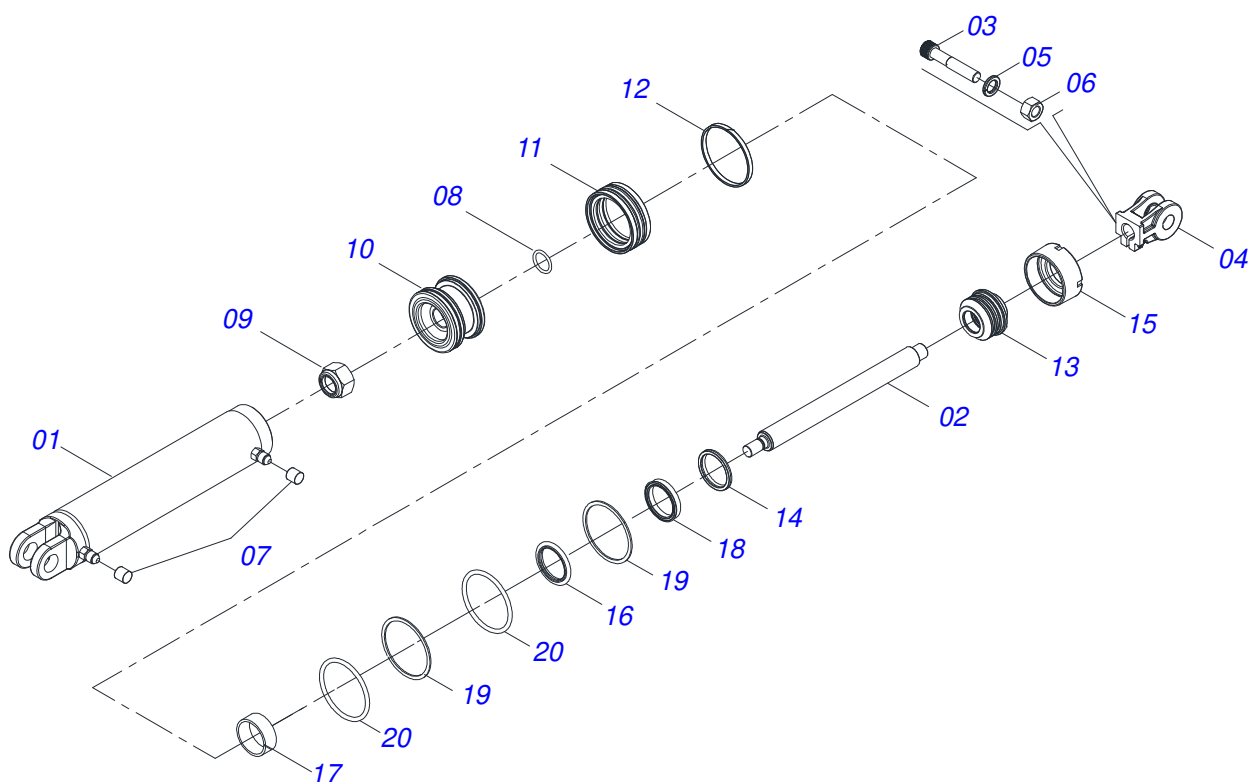
Item	Code	Description	See page	QT
01	0502012318	CARRYING WHEEL HUB		01
01A	1902010322	WHEEL HUB		01
01B	1599630001	STEEL SCRAP		02
02	0503013453	SKF 33011 ROLLER BEARING		01
03	0503013454	SKF 33109 ROLLER BEARING		01
04	0503010086	SEAL 0009B-B		01
05	0561017950	AXLE PULLEY		01
06	0501010630	1.1/2" CASTLE NUT		01
07	0503010523	1/4" X 2" COTTERPIN		01
08	0502020592	COVER		01
09	0503010295	SCREW 5/16 UNC X 5/8 CS G.2 ZN		04
10	0503011444	SPRING WASHER		04
11	0503010002	1800 GREASE FITTING		01
12	0502012175	SEAL FLANGE		01
13	0503010397	5/16" X 1-3/4" BOLT		08
14	0503011444	SPRING WASHER		08
15	0503012655	5/8" X 2-3/8" WHEEL BOLT		08
16	0503010064	5/8 UNF CONIC NUT		08



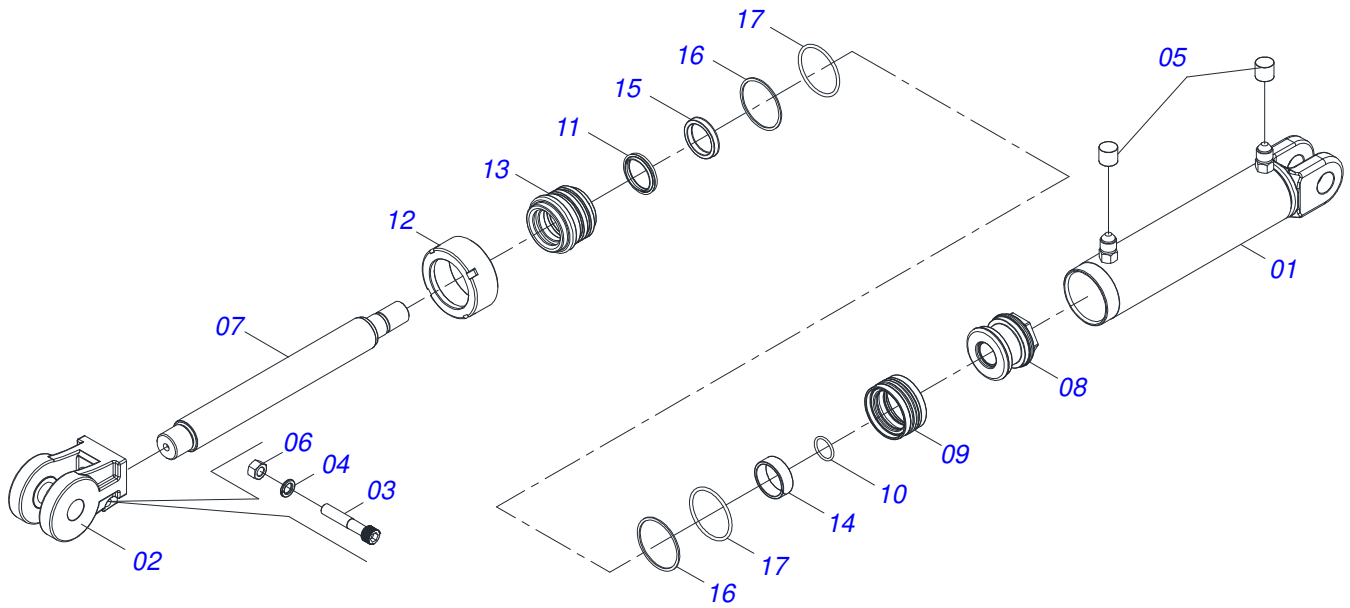
Item	Code	Description	See page	QT
01	0503013040	0.5" X 1" VALVE STEM		01
02	0503013039	0.5" X 1" -10 CANVAS TIRE		01
03	0511063924	DCCO 10500 WHEEL		01



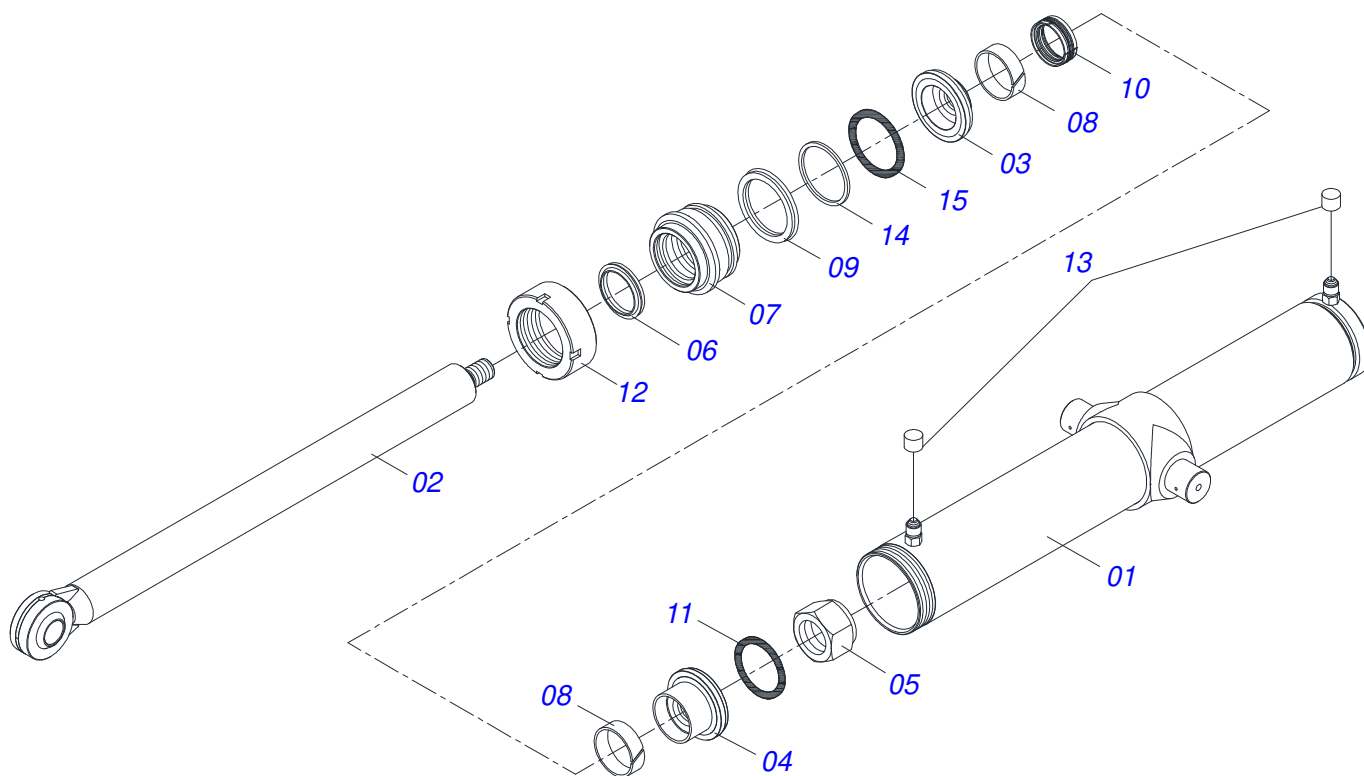
Item	Code	Description	See page	QT
01	0503013040	0.5" X 1" VALVE STEM		01
02	0503013039	0.5" X 1" -10 CANVAS TIRE		01
03	0511063924	DCCO 10500 WHEEL		01



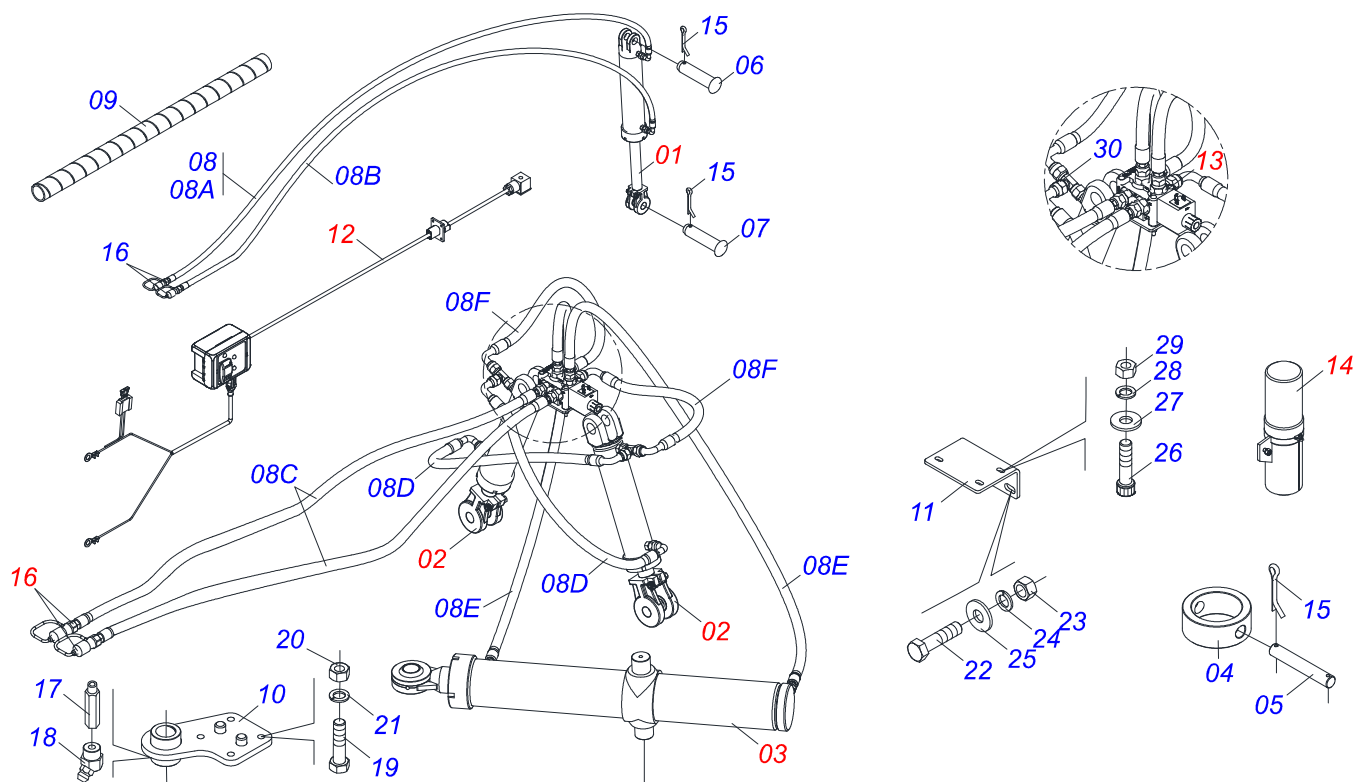
Item	Code	Description	See page	QT
01	0511065683	85,72 X 509 CYLINDER CASE		01
02	0521010827	HYDRAULIC CYLINDER TURNBUCKLE		01
03	0503011094	3/8" X 2" BOLT		01
04	0502040747	32.54 CLEVIS CLAMP		01
05	0503011443	3/8" SPRING WASHER		01
06	0503010026	3/8" NUT		01
07	0503030385	CYLINDER PLUG N-002		02
08	0503010042	2-214 N 3006-9B O'RING		01
09	0503010063	1" SELF-ALIGNING NUT		01
10	0571019710	1.7" X 3.4" PISTON		01
11	0503017935	RING		01
12	0503018144	RING		01
13	0571019711	RING SUPPORT		01
14	0503010761	D-1750 SCRAPER RING		01
15	0571019709	DETACHABLE COVER		01
16	0503017936	RING		01
17	0503017938	RING GUIDE		01
18	0503017937	GASKET		01
19	0503017940	8-337 BACK-UP RING		02
20	0503017939	2-337 N 3006-9B O' RING		02



Item	Code	Description	See page	QT
01	0521066627	CYLINDER CASE		01
02	0502040493	CLEVIS 26,50 R41		01
03	0503011094	3/8" X 2" BOLT		01
04	0503011443	3/8" SPRING WASHER		01
05	0503030385	CYLINDER PLUG N-002		02
06	0503010026	3/8" NUT		01
07	0581010838	TURNBUCLE BODY		01
08	0502012837	PISTON		01
09	0503018005	RING		01
10	0503011109	2-119 N 3006-9B O'RING		01
11	0503010163	D-1500 SCRAPER RING		01
12	0502010471	MOBILE COVER		01
13	0581010668	RING SUPPORT		01
14	0503018004	RING		01
15	0503018003	GASKET		01
16	0503018163	BACK-UP RING		02
17	0503018162	O'RING		02



Item	Code	Description	See page	QT
01	0521063853	CYLINDER CASE		01
02	0521063852	TURNBUCKLE		01
03	0571013322	PISTON BODY		01
04	0561016387	PISTON BODY		01
05	0503010817	1.1/4" SELF LOCKING NUT		01
06	0503010287	D-2500 SCRAPER RING		01
07	0551016459	RING SUPPORT 2.1/2		01
08	0503010971	W2-2750-500 PK RING G.I		02
09	0503010288	PACKING 2500-2500-375-B		01
10	0503015633	SELEMASTER SEALING		01
11	0503010345	2-218 N 3006-9B O'RING		01
12	0551010932	MOBILE COVER		01
13	0503030385	CYLINDER PLUG N-002		02
14	0503011061	8-342 BACK-UP RING		01
15	0503010338	2-342 N 3006-9B O'RING		01



Item	Code	Description	See page	QT
01	0511058426	HYDRAULIC CYLINDER	10	01
02	0511058413	HYDRAULIC CYLINDER	11	02
03	0521041913	HYDRAULIC CYLINDER	12	01
04	0561012651	SLEEVE 74.50 X 101.60 X 40		01
05	0511013598	3/4" X 4.7" COUPLING SHAFT		01
06	0521010545	1.2" X 5.1" COUPLING SHAFT		01
07	0521012538	1.2" X 3.5" COUPLING SHAFT		01
08	0521051566	HOSE ASSY		01
08A	0501080847	3/8" X 5700 TC-TM HOSE		01
08B	0501080409	3/8" X 6000 TC-TM HOSE		01
08C	0501080363	3/8" X 177" TR-TM HOSE ASSY		02
08D	0501082058	HOSE 3/8 X 800 TC-TC		02
08E	0501080128	3/8" X 71" TR-TR HOSE ASSY		02
08F	0501080406	3/8" X 23" TR-TC HOSE		02
09	0501082142	SPRING PROTECTION PLASTIC HOSE		01
10	0521063160	FIXER		01
11	0581015048	VALVE SUPPORT		01
12	0521051828	KIT ELECTRICAL	14	01
13	0521051555	SOLENOID VALVE ASSY	15	01
14	0521051564	ASSY PORT MANUAL INSTRUCCION		01
15	0503010523	1/4" X 2" COTTERPIN		01
16	0501053834	MALE QUICK COUPLER	16	04
17	0501019757	EXTENSION GREASE FITTING		01
18	0503010002	1800 GREASE FITTING		01
19	0503010899	5/8" X 2-1/4" BOLT		04
20	0503010013	5/8" NUT		04
21	0503010027	5/8" SPRING WASHER		04
22	0503011236	3/8" X 2" BOLT		02
23	0503010026	3/8" NUT		02
24	0503010025	3/8" SPRING WASHER		02
25	0501010984	FLAT WASHER		02

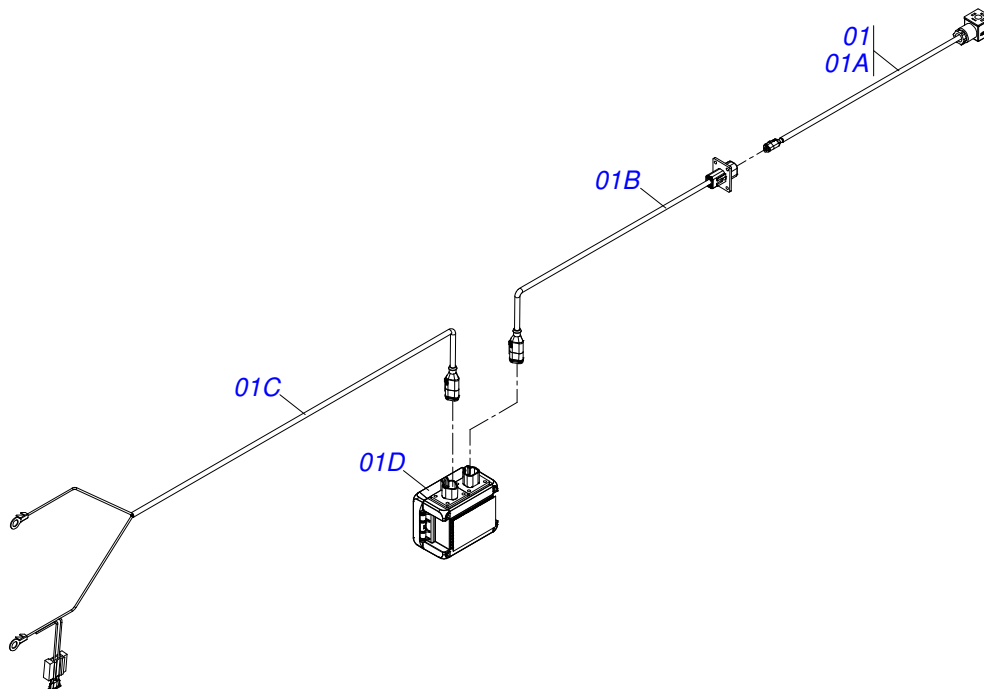




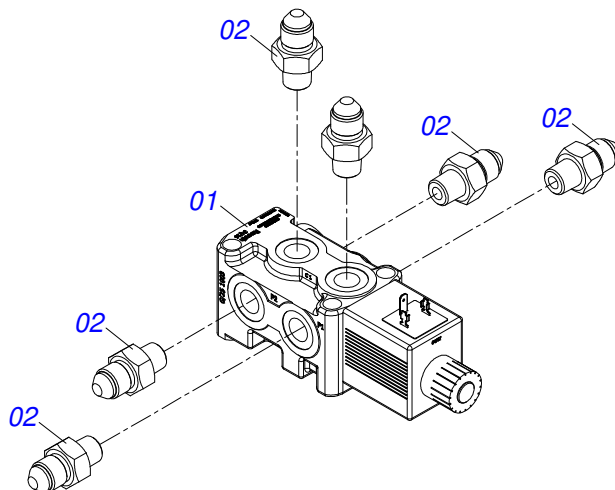
LTA 5000 VEH  
HYDRAULIC CIRCUIT

Page 13  
0909098843

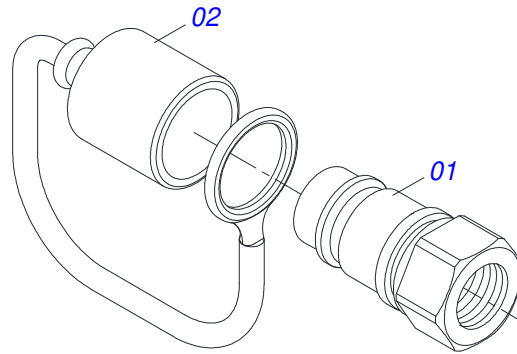
Item	Code	Description	See page	QT
26	0503818141	1/4" X 2" BOLT		03
27	0503010305	FLAT WASHER		03
28	0503010143	1/4" SPRING WASHER		03
29	0503010144	1/4" NUT		03
30	0503011968	3/4" 8R6X-S T ADAPTER WITH SWIVEL NUT		02



Item	Code	Description	See page	QT
01	0503062695	KIT ELECTRICAL		01
01A	0503034553	CABLE EASEL		01
01B	0503034551	2000 CABLE		01
01C	0503034550	1700 CABLE		01
01D	0503034554	CONTROL PANEL		01
02	0503030804	ADHESIVE LABEL		01
03	0503034533	ADHESIVE LABEL		01

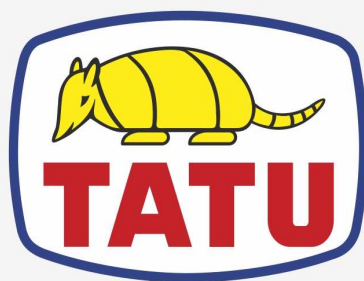


Item	Code	Description	See page	QT
01	0503062637	VALVE COMPLETE		01
02	0571013798	3/4" UNF X 3/8 NPT NIPPLE		06



Item	Code	Description	See page	QT
01	0503011627	MALE QUICK COUPLER AGR 1/2 NPT		01
02	0503011882	MALE QUICK COUPLER CAP		01





**MARCHESAN**

**Technical Publications | Elaboration and Revision**

ALESSANDRA PATRICIA KAWAHARA CARRILI

[www.marchesan.com.br](http://www.marchesan.com.br)

