

CORN HEAD

PMT 04/07/08/09/10/11/12 LINES

Code: 0501092672

Series: S-0511

Revision: 00

Date Revision: MARÇO/2020

PARTS CATALOGUE



MARCHESAN



PRODUCTS

Code	Description
0116010688	PMT 3250/4 E-900 JD SLC 6200 S-0511
0116010696	PMT 3700/8 E 450 NH 4040 S-0511
0116010706	PMT 4150/8 E-500 NH TC 5070 S-0511
0116010689	PMT 4150/8 ESP 500 MF 5650 ADV S511
0116010583	PMT 4150/9 E-450 NH TC 5070 S-0511
0116010701	PMT 4150/9 E-450 SLC 7200 S-0511
0116010698	PMT 4150/9 ESP450 MF 5650 ADV S0511
0116010703	PMT 4600/10 E450 NH TC57 S-0511
0116010686	PMT 4600/9 E500 NH TC5070 TDIS S511
0116010687	PMT 4600/9 E500 NH TC57 TDS S-0511
0116010691	PMT 5050/10 E-500 JD 1550 TDEI S511
0116010684	PMT 5050/11 E450 VTR BC 6500 S-0511
0116010702	PMT 5500/12 E450 NH TC 5090 S-0511
0116010709	PMT 5500/7 ESP800 JD 1550 S-0511
0116010697	PMT 6050/11 E-550 VTR BC6500 S-0511
0116010704	PMT 6050/12 E-500 JD 1550 S-0511
0116010695	PMT 6050/12 E500 CASE 2388 S-0511
0116010694	PMT 6050/12 E500 JD9470/9570 S-511
0116010705	PMT 6050/12 ESP 500 NH TC 59 S-0511
0116010708	PMT-A 7750/10 E-80 NH CR 9060 S0511

ATTENTION: IMPORTANT

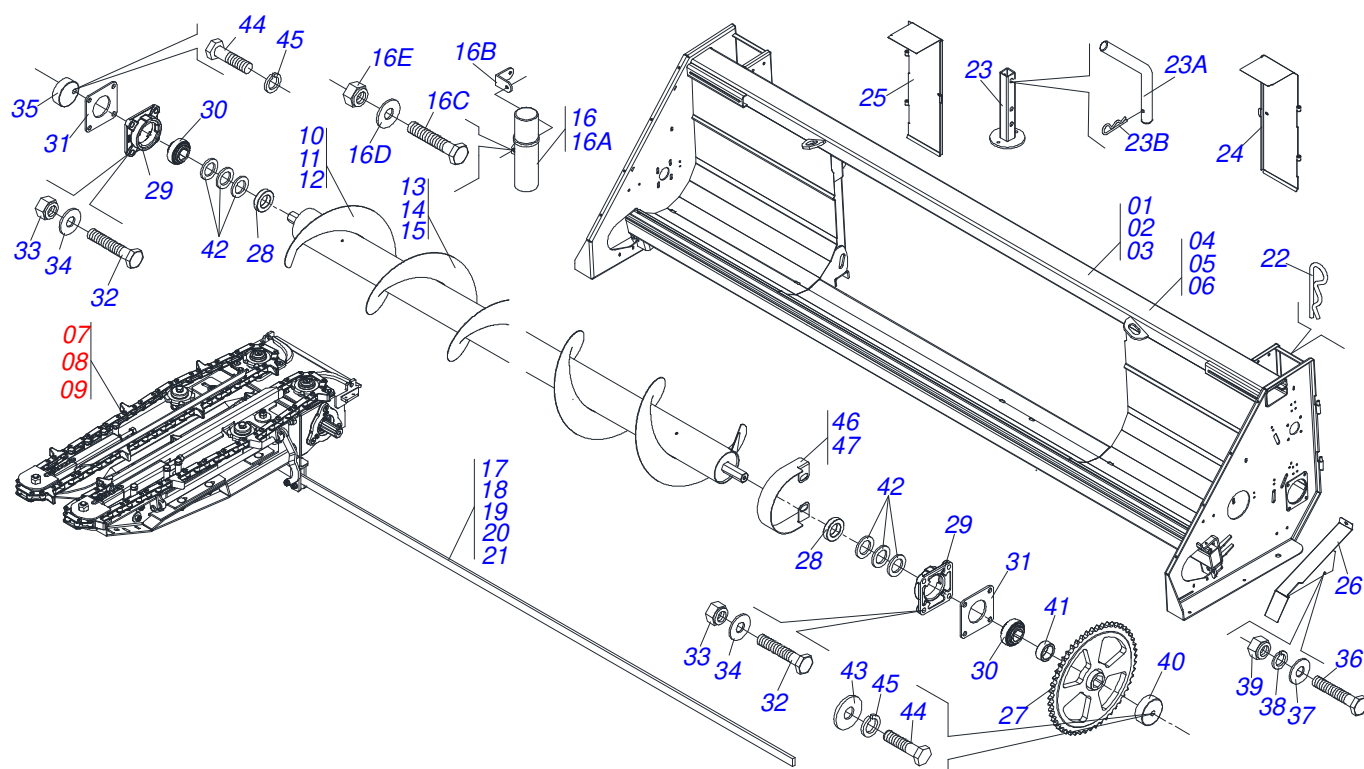
Marchesan S.A. reserves the right to improve and/or modify the technical features of its products, without obligation to do the same with those products already sold and without prior knowledge of the dealer or the consumer. The photos are only illustrative.



MARCHESAN

INDEX

0909098833	SEMIFINISHED FRAME S-0511	1
0909098832	SEMIFINISHED FRAME S-0511	2
0909094070	CORN CENTRAL LINE	3
0909094071	RIGHT CORN ROW	4
0909094072	LEFT CORN ROW	5
0909094069	TRANSMISSION BOX	6
0909094068	BOX ASSY	7
0909098837	FAIRING SET ROW CENTER	8
0909098835	FAIRING SET ROW RIGHT	9
0909098836	FAIRING SET ROW LEFT	10
0909098840	FRAME	11
0909094019	FRONT LEFT LATERAL S-0808	12
0909094519	FOLLOWER SIDE PROTECTION 3250	13
0909094520	FOLLOWER SIDE PROTECTION 3700	14
0909094521	FOLLOWER SIDE PROTECTION 4150	15
0909094522	FOLLOWER SIDE PROTECTION 4600	16
0909094523	FOLLOWER SIDE PROTECTION 5050	17
0909094524	FOLLOWER SIDE PROTECTION 5500	18
0909094525	FOLLOWER SIDE PROTECTION 5550	19
0909094526	FOLLOWER SIDE PROTECTION 5950	20
0909094527	FOLLOWER SIDE PROTECTION 6050	21
0909094528	FOLLOWER SIDE PROTECTION 6400	22
0909094529	FOLLOWER SIDE PROTECTION 6600	23
0909094530	FOLLOWER SIDE PROTECTION 6850	24
0909094531	FOLLOWER SIDE PROTECTION 7550	25
0909094532	COUPLING (MF 3640/5650)ASSY	26
0909094533	COUPLING (MF 3640/5650)ASSY	27
0909094534	COUPLING (FORD NH TC 55/57)ASSY	28
0909094543	COUPLING (FORD NH4040/5050/8040/8055)ASSY	29
0909094535	COUPLING (FORD NH TC E CR)ASSY	30
0909094536	COUPLING (CASE)ASSY	31
0909094537	COUPLING (JOHN DEERE)ASSY	32
0909094538	COUPLING (JOHN DEERE STS)ASSY	33
0909094539	COUPLING (VALTRA - BC 6500/7500)ASSY	34
0909094540	COUPLING (VALTRA-VALMET 4500)ASSY	35
0501059170	DRIVE SHAFT	36
0909094074	LOWER TRANSMISSION	37
0909094075	UPPER TRANSMISSION	38
0909094541	SYSTEM LUBRICATION LOWER	39
0909094542	LUBRIFICATION SISTEM TOP	40
0511047824	DRIVE SHAFT	41
0501058840	DRIVE SHAFT	42

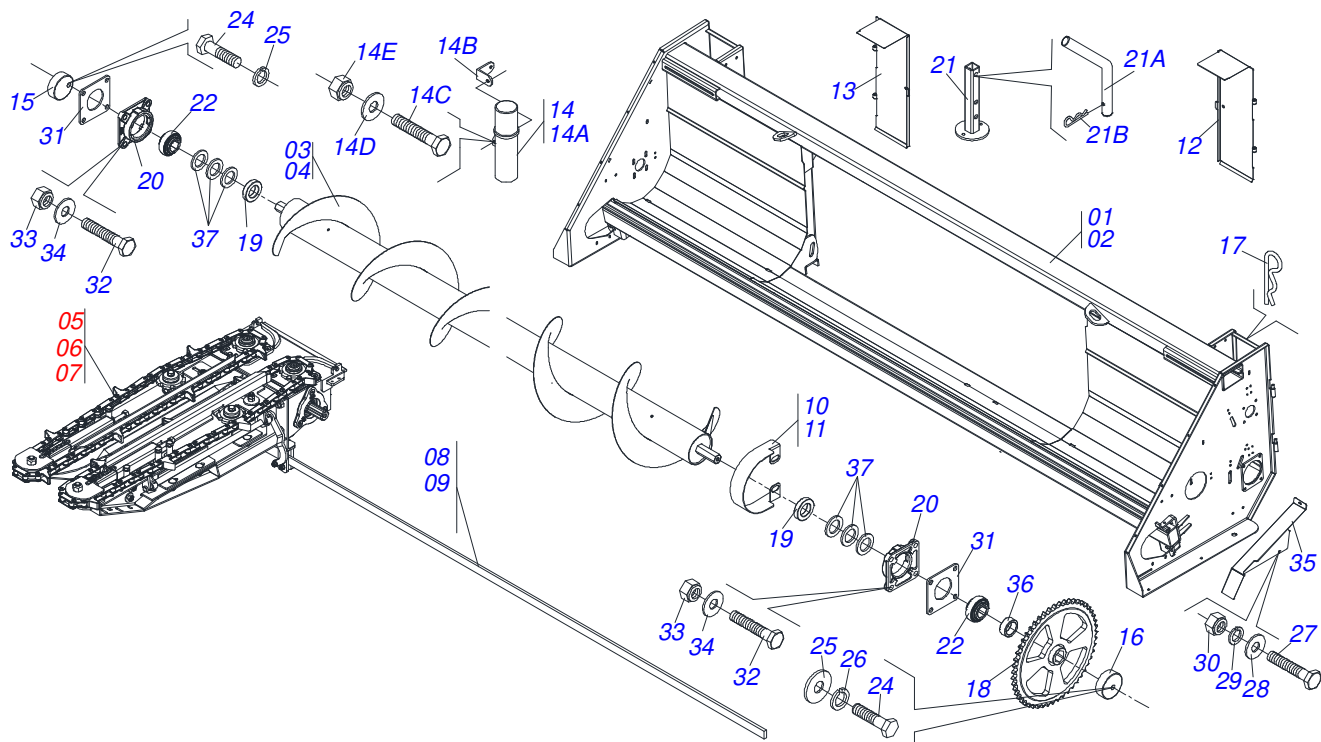


Item	Code	Description	See page	3250	3700	4150	4600	5050	5500
01	0521062212	FRAME PMT 3250		01	00	00	00	00	00
02	0521062213	FRAME PMT 3700		00	01	00	00	00	00
03	0521062214	FRAME PMT 3700		00	00	01	00	00	00
04	0521062215	FRAME PMT 4600		00	00	00	01	00	00
05	0521062216	FRAME PMT 5050		00	00	00	00	01	00
06	0521062217	FRAME PMT 5500		00	00	00	00	00	01
07	0511050619	SEMI MOUNTED CENTRAL CORN LINE		05	06	07	08	09	10
08	0511050620	SEMIFINISHED CORN ROW		01	01	01	01	01	01
09	0511050621	LEFTSEMIFINISHED CORN ROW		01	01	01	01	01	01
10	0503061806	RIGHT HELICAL CONDUTOR		01	00	00	00	00	00
11	0503061811	RIGHT HELICAL CONDUTOR		00	01	00	00	00	00
12	0503061773	CONDUTOR HELICOIDAL 3975 PMT 9		00	00	01	00	00	00
13	0503061787	HELICAL CONDUTOR		00	00	00	01	00	00
14	0503061786	HELICAL CONDUTOR		00	00	00	00	01	00
15	0503061823	HELICAL CONDUTOR		00	00	00	00	00	01
16	0511052142	MANUAL CANISTER ASSY		01	01	01	01	01	01
16A	0503060100	OPERATOR'S MANUAL STORAGE TUBE		01	01	01	01	01	01
16B	0541016866	CLOAK MANUAL FIXER L		01	01	01	01	01	01
16C	0501010324	3/8" X 1-1/4" BOLT		02	02	02	02	02	02
16D	0501010984	FLAT WASHER		01	01	01	01	01	01
16E	0503013357	3/8" SELF-ADJUSTING NUT		01	01	01	01	01	01
17	0561012643	25,40 X 12,70 X 2800 BAR		01	00	00	00	00	00
18	0561012815	25,4 X 12,70 X 3250 BAR		00	01	00	00	00	00
19	0561011838	25,40 X 12,70 4150 BAR		00	00	01	01	00	00
20	0561011837	25,40 X 12,70 X 4600 BAR		00	00	00	00	01	00
21	0561013449	25,40 X 12,70 X 5050 BAR		00	00	00	00	00	01
22	0503030168	CUPILLA		02	02	02	02	02	02
23	0521061014	PLOUGH SUPPORT		02	02	02	02	02	02
23A	0501011075	PIN		02	02	02	02	02	02
23B	0503030012	HAIR PIN		02	02	02	02	02	02
24	0521061227	REAR COVER		01	01	01	01	01	01



PMT 04/07/08/09/10/11/12 LINES
SEMIFINISHED FRAME S-0511

Item	Code	Description	See page	3250	3700	4150	4600	5050	5500
25	0521061228	REAR COVER		01	01	01	01	01	01
26	0561011128	PROTECTIVE COVER		01	01	01	01	01	01
27	0521060223	51Z GEAR		01	01	01	01	01	01
28	0561012760	CONDUTOR SUPPORT SLEEVE		02	02	02	02	02	02
29	0502012590	BEARING		02	02	02	02	02	02
30	0503015144	BEARING		02	02	02	02	02	02
31	0561011114	BEARING SUPPORT		02	02	02	02	02	02
32	0503010740	BOLT 1/2 UNC X 2 CS G.5 ZN		08	08	08	08	08	08
33	0503011336	1/2" HEX SELF ADJUSTING NUT		08	08	08	08	08	08
34	0511017302	FLAT WASHER		08	08	08	08	08	08
35	0521060315	CONTROL PUMP		01	01	01	01	01	01
36	0503011952	5/16" X 3/4" BOLT		03	03	03	03	03	03
37	0501010694	FLAT WASHER		03	03	03	03	03	03
38	0503010179	LOCK WASHER		03	03	03	03	03	03
39	0503013816	5/16" LOCKNUT		03	03	03	03	03	03
40	0521063712	CONTROL PUMP		01	01	01	01	01	01
41	0561012088	SLEVE FIXATION GEAR		01	01	01	01	01	01
42	0511019685	FLAT WASHER		06	06	06	06	06	06
43	0561010960	FLAT WASHER		01	01	01	01	01	01
44	0503015140	M12 X 1,75 X 30 BOLT		02	02	02	02	02	02
45	0503010019	1/2" SPRING WASHER		02	02	02	02	02	02
46	0561014306	HELICAL SPRING PROTECTION		02	02	02	02	00	00
47	0561014324	HELICAL SPRING PROTECTION		00	00	00	00	02	02

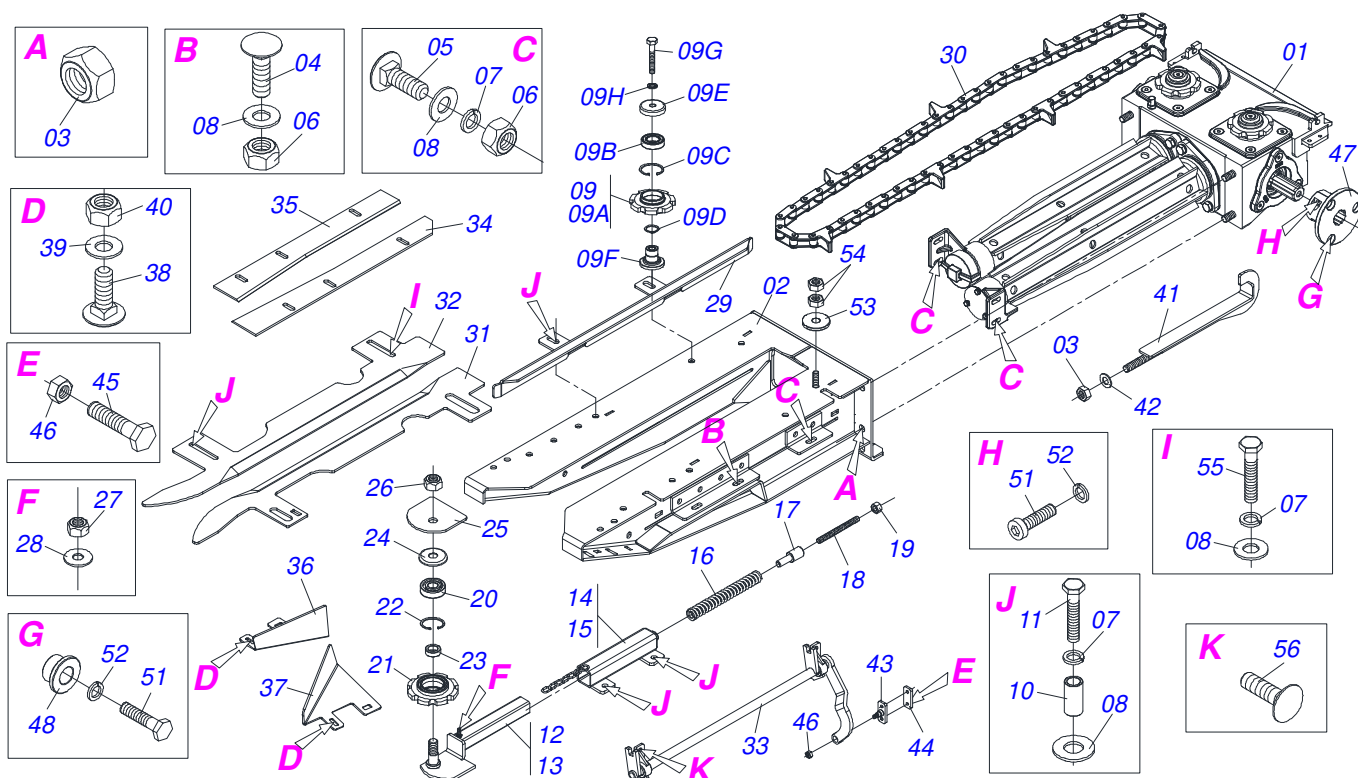


Item	Code	Description	See page	6050	7550
01	0521062219	FRAME PMT 6050		01	00
02	0521062223	FRAME PMT 7550		00	01
03	0503061863	HELICAL CONDUTOR		01	00
04	0503061845	HELICAL CONDUTOR		00	01
05	0511050619	SEMI MOUNTED CENTRAL CORN LINE		07	07
06	0511050620	SEMIFINISHED CORN ROW		01	01
07	0511050621	LEFTSEMIFINISHED CORN ROW		01	01
08	0561013449	25,40 X 12,70 X 5050 BAR		01	00
09	0521061410	25,4 X 12,70 X 7100 BAR		00	01
10	0561014324	HELICAL SPRING PROTECTION		02	02
11	0561014324	HELICAL SPRING PROTECTION		02	02
12	0521061227	REAR COVER		01	01
13	0521061228	REAR COVER		01	01
14	0511052142	MANUAL CANISTER ASSY		01	01
14A	0503060100	OPERATOR'S MANUAL STORAGE TUBE		01	01
14B	0541016866	CLOAK MANUAL FIXER L		01	01
14C	0501010324	3/8" X 1-1/4" BOLT		02	02
14D	0501010984	FLAT WASHER		01	01
14E	0503013357	3/8" SELF-ADJUSTING NUT		01	01
15	0521060315	CONTROL PUMP		01	01
16	0521063712	CONTROL PUMP		01	01
17	0503030168	CUPILLA		02	02
18	0521060223	51Z GEAR		01	01
19	0561012760	CONDUTOR SUPPORT SLEEVE		02	02
20	0502012590	BEARING		02	02
21	0521061014	PLOUGH SUPPORT		02	02
21A	0501011075	PIN		02	02
21B	0503030012	HAIR PIN		02	02
22	0503015144	BEARING		02	02
24	0503015140	M12 X 1,75 X 30 BOLT		02	02
25	0561010960	FLAT WASHER		01	01



PMT 04/07/08/09/10/11/12 LINES
SEMIFINISHED FRAME S-0511

Item	Code	Description	See page	6050	7550
26	0503010019	1/2" SPRING WASHER		02	02
27	0503011952	5/16" X 3/4" BOLT		03	03
28	0503010179	LOCK WASHER		03	03
29	0501010694	FLAT WASHER		03	03
30	0503013816	5/16" LOCKNUT		03	03
31	0561011114	BEARING SUPPORT		02	02
32	0503010740	BOLT 1/2 UNC X 2 CS G.5 ZN		08	08
33	0503011336	1/2" HEX SELF ADJUSTING NUT		08	08
34	0511017302	FLAT WASHER		08	08
35	0561011128	PROTECTIVE COVER		01	01
36	0561012088	SLEVE FIXATION GEAR		01	01
37	0511019685	FLAT WASHER		06	06



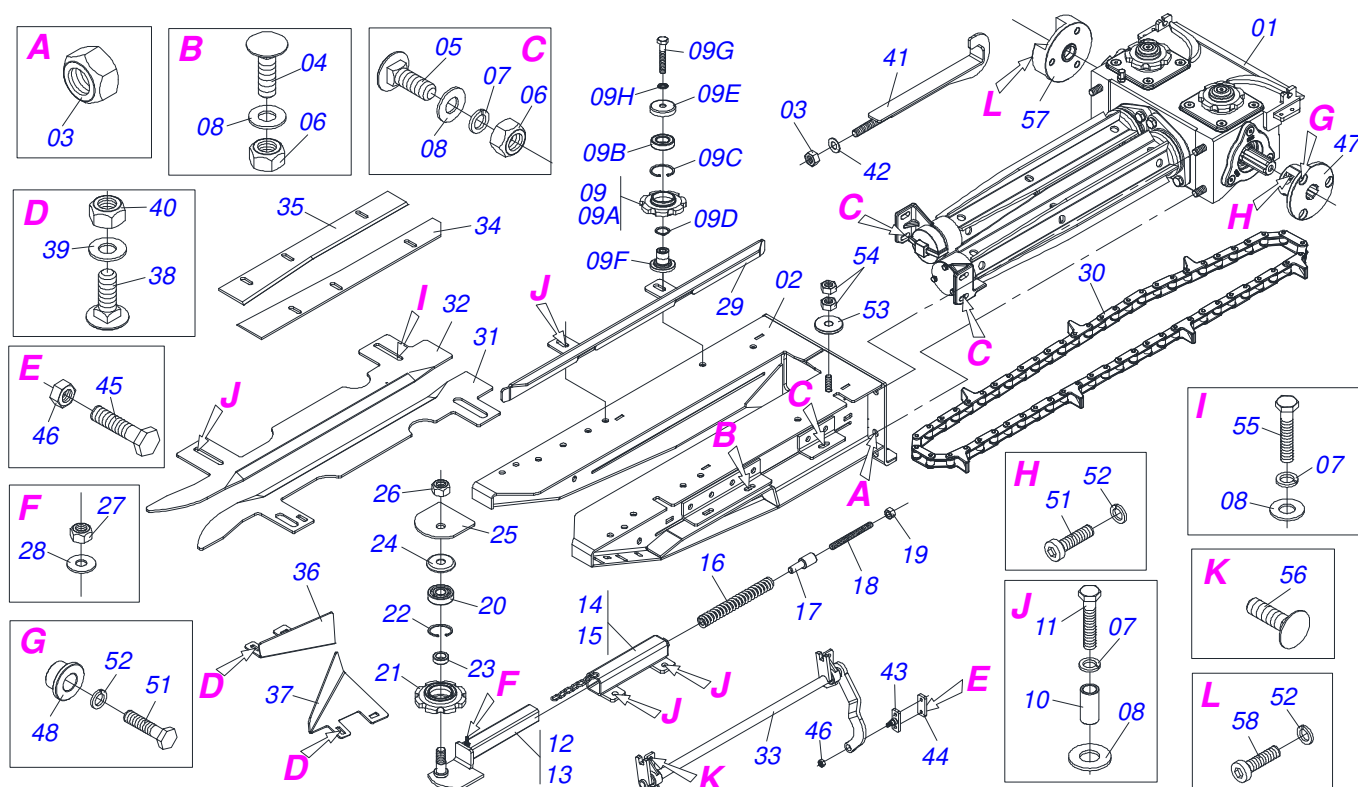
Item	Code	Description	See page	QT
00	0511050619	SEMI MOUNTED CENTRAL CORN LINE		01
01	0511050767	TRANSMISSION HUB		01
02	0521060123	FRONT FAIRING SUPPORT		01
03	0503015079	LOCK NUT		06
04	0503015328	M10 X 1,5 X 35 BOLT		04
05	0503015327	M10 X 1,5 X 30 BOLT		06
06	0503011841	M10 SELF ADJUSTING NUT		10
07	0503015076	M12 SPRING WASHER		14
08	0511017302	FLAT WASHER		18
09	0511051429	TENSIONER CHAIN		02
09A	0502012693	GEAR 7Z ESTIC LAT LINHA PMT		02
09B	0503011797	BEARING 6005 DDU		02
09C	0503011105	SEAL RING		02
09D	0503010406	501025 CLAMPING RING (FOR AXLE)		02
09E	0521018921	DUST CLOAK		02
09F	0571013848	TIGHTENER AXLE		02
09G	0503015102	M12 X 1,75 X 70 BOLT		02
09H	0503015076	M12 SPRING WASHER		02
10	0561010577	19 X 13,50 SLEEVE		07
11	0503015102	M12 X 1,75 X 70 BOLT		07
12	0521060140	RIGHT FRONT TENSIONER		01
13	0521060141	LEFT FRONT TENSIONER		01
14	0521060129	RIGHT GUIDE TIGHTENER		01
15	0521060128	LH GUIDE TIGHTENER		01
16	0503033041	COMPRESSION SPRING		02
17	0561012098	PIN 13,5 X 35 PMT		02
18	0521060237	CHAIN TENSIONER JACK		02
19	0503010060	1/2" NUT		02
20	0503015052	ROLLER BEARING 6304		02
21	0502012665	8Z GEAR		02
22	0503015081	502052 CLAMPING RING (FOR AXLE)		02



CORN CENTRAL LINE

0909094070

Item	Code	Description	See page	QT
23	0561010551	20 X 31,5 SLEEVE		02
24	0561011653	DUST CLOAK 55 X 4,5		02
25	0561010576	ALIGNMENT CHAIN		02
26	0503015084	M18 X 1,50 LOCKNUT		02
27	0503014540	M6 NUT		02
28	0503010305	FLAT WASHER		02
29	0561017636	GUIDE CHAIN		02
30	0503015031	CHAIN CA 2060H (7AUE) X 56 LINK		02
31	0561010574	LEFT THROTTLE		01
32	0561010575	RIGHT THROTTLE		01
33	0521060121	BLADE JOINT PIECE		01
34	0561010579	LEFT SCRAPER		01
35	0561010580	RIGHT SCRAPER		01
36	0561010537	RIGHT GUIDE ENTRANCE		01
37	0561012171	LEFT GUIDE ENTRANCE		01
38	0503011952	5/16" X 3/4" BOLT		04
39	0521011039	FLAT WASHER		04
40	0503013816	5/16" LOCKNUT		04
41	0521060120	BOX HITCH		02
42	0501010301	FLAT WASHER		02
43	0521060124	ADJUSTMENT BAR FIXER		01
44	0561010955	FIXER BODY CONTROL		01
45	0503015113	M10 X 1,5 X 45 BOLT		02
46	0503011841	M10 SELF ADJUSTING NUT		03
47	0502040837	COUPLING FLANGE		01
48	0561017155	SLEEVE		03
49	0503015348	3/8" BOLT		02
50	0503010025	3/8" SPRING WASHER		02
51	0503030676	ADHESIVE LABEL		03
52	0503010019	1/2" SPRING WASHER		03
53	0571013118	WASHER GUIDE		01
54	0503012254	M12 X 0.7" NUT		02
55	0503015140	M12 X 1,75 X 30 BOLT		01
56	0501011643	3/8 X 1"BOLT		04



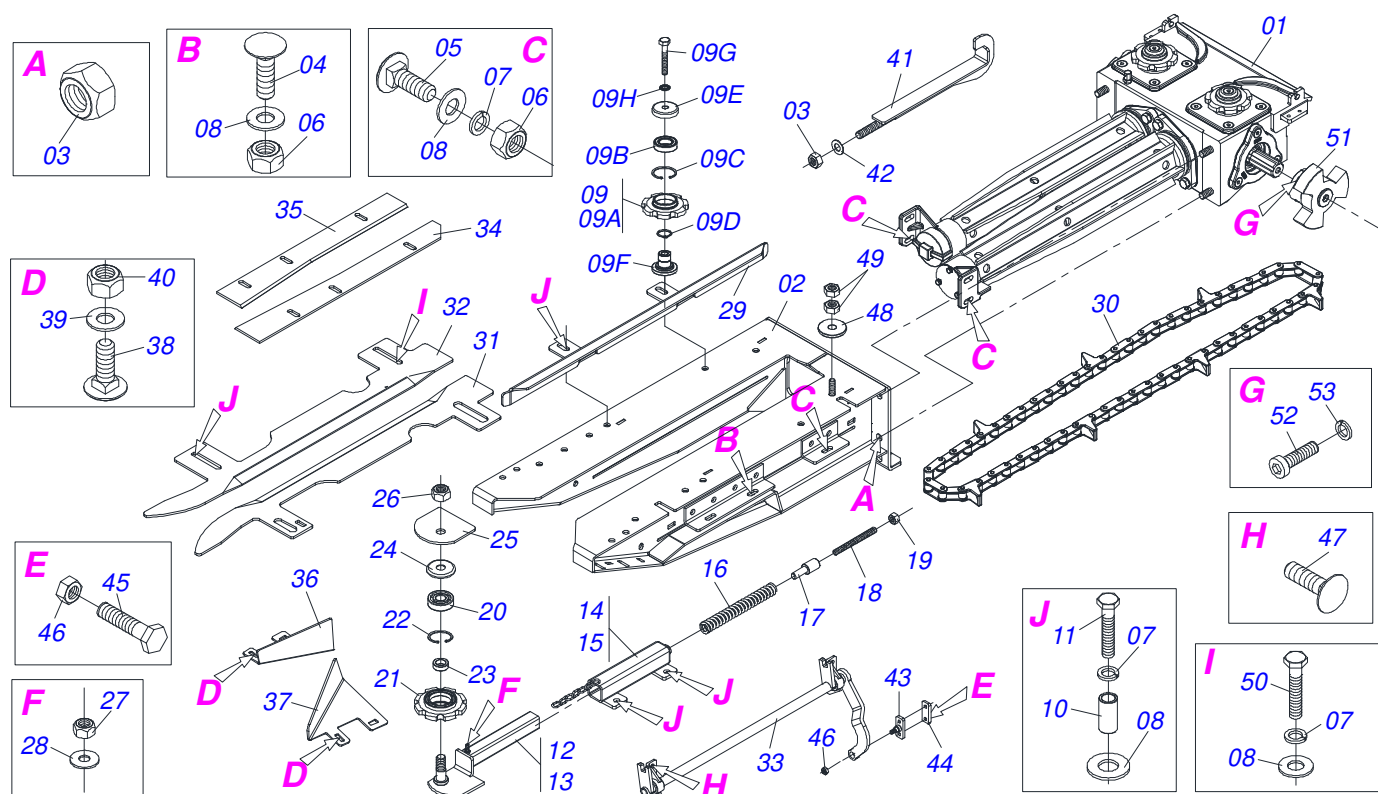
Item	Code	Description	See page	QT
00	0511050620	SEMFINISHED CORN ROW		01
01	0511050767	TRANSMISSION HUB		01
02	0521060123	FRONT FAIRING SUPPORT		01
03	0503015079	LOCK NUT		06
04	0503015328	M10 X 1,5 X 35 BOLT		04
05	0503015327	M10 X 1,5 X 30 BOLT		06
06	0503011841	M10 SELF ADJUSTING NUT		10
07	0503015076	M12 SPRING WASHER		14
08	0511017302	FLAT WASHER		18
09	0511051429	TENSIONER CHAIN		02
09A	0502012693	GEAR 7Z ESTIC LAT LINHA PMT		02
09B	0503011797	BEARING 6005 DDU		02
09C	0503011105	SEAL RING		02
09D	0503010406	501025 CLAMPING RING (FOR AXLE)		02
09E	0521018921	DUST CLOAK		02
09F	0571013848	TIGHTENER AXLE		02
09G	0503015102	M12 X 1,75 X 70 BOLT		02
09H	0503015076	M12 SPRING WASHER		02
10	0561010577	19 X 13,50 SLEEVE		07
11	0503015102	M12 X 1,75 X 70 BOLT		07
12	0521060140	RIGHT FRONT TENSIONER		01
13	0521060141	LEFT FRONT TENSIONER		01
14	0521060129	RIGHT GUIDE TIGHTENER		01
15	0521060128	LH GUIDE TIGHTENER		01
16	0503033041	COMPRESSION SPRING		02
17	0561012098	PIN 13,5 X 35 PMT		02
18	0521060237	CHAIN TENSIONER JACK		02
19	0503010060	1/2" NUT		02
20	0503015052	ROLLER BEARING 6304		02
21	0502012665	8Z GEAR		02
22	0503015081	502052 CLAMPING RING (FOR AXLE)		02



RIGHT CORN ROW

0909094071

Item	Code	Description	See page	QT
23	0561010551	20 X 31,5 SLEEVE		02
24	0561011653	DUST CLOAK 55 X 4,5		02
25	0561010576	ALIGNMENT CHAIN		02
26	0503015084	M18 X 1,50 LOCKNUT		02
27	0503014540	M6 NUT		02
28	0503010305	FLAT WASHER		02
29	0561017636	GUIDE CHAIN		02
30	0503015031	CHAIN CA 2060H (7AUE) X 56 LINK		02
31	0561010574	LEFT THROTTLE		01
32	0561010575	RIGHT THROTTLE		01
33	0521060121	BLADE JOINT PIECE		01
34	0561010579	LEFT SCRAPER		01
35	0501010580	3/4 X 95MM PIN		01
36	0561010537	RIGHT GUIDE ENTRANCE		01
37	0561012171	LEFT GUIDE ENTRANCE		01
38	0503011952	5/16" X 3/4" BOLT		04
39	0521011039	FLAT WASHER		04
40	0503013816	5/16" LOCKNUT		04
41	0521060120	BOX HITCH		02
42	0501010301	FLAT WASHER		02
43	0521060124	ADJUSTMENT BAR FIXER		01
44	0561010955	FIXER BODY CONTROL		01
45	0503015113	M10 X 1,5 X 45 BOLT		02
46	0503011841	M10 SELF ADJUSTING NUT		03
47	0502040837	COUPLING FLANGE		01
48	0561017155	SLEEVE		03
49	0503015348	3/8" BOLT		02
50	0503010025	3/8" SPRING WASHER		02
51	0503030679	BOLT 1/2 UNC X 1.1/4 CSPC G.5 ZN		03
52	0503010019	1/2" SPRING WASHER		03
53	0571013118	WASHER GUIDE		01
54	0503012254	M12 X 0.7" NUT		02
55	0503015140	M12 X 1,75 X 30 BOLT		01
56	0501011643	3/8 X 1"BOLT		04
57	0502040839	BODY DRAG BOX RIGHT		01
58	0503010562	1/2" X 1" BOLT		03



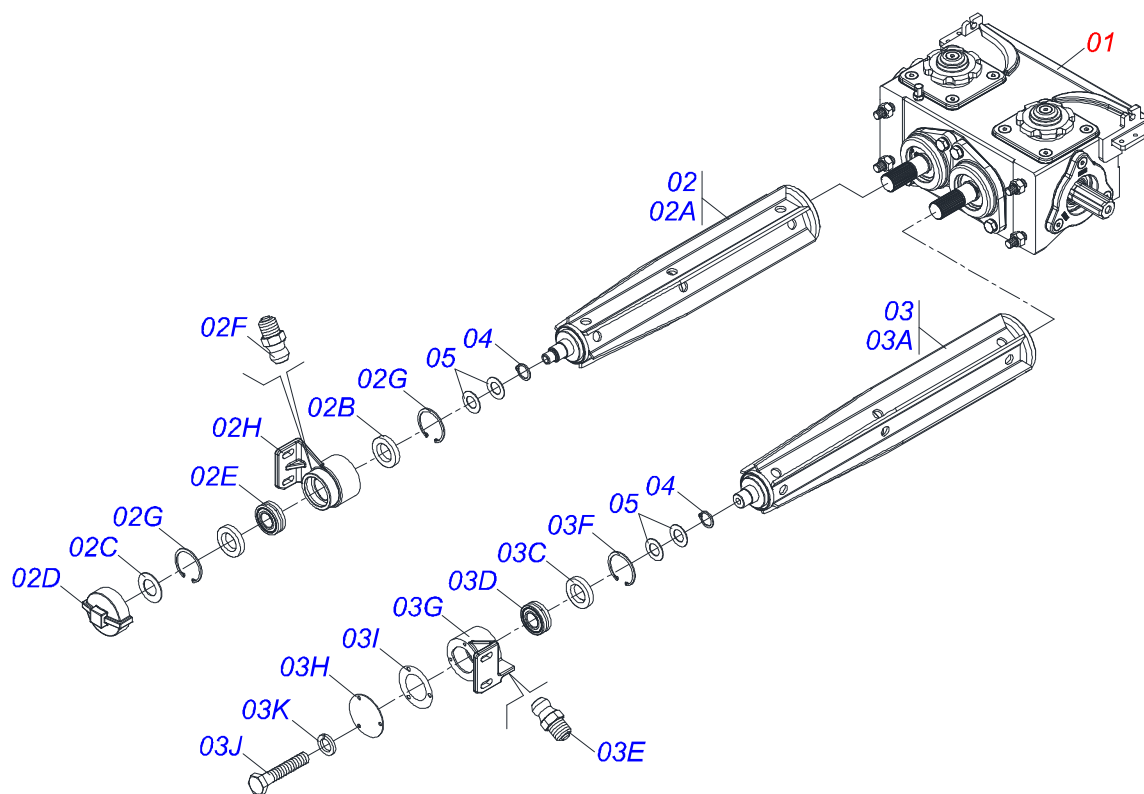
Item	Code	Description	See page	QT
00	0511050621	LEFTSEMI FINISHED CORN ROW		01
01	0511050767	TRANSMISSION HUB		01
02	0521060123	FRONT FAIRING SUPPORT		01
03	0503015079	LOCK NUT		06
04	0503015328	M10 X 1,5 X 35 BOLT		04
05	0503015327	M10 X 1,5 X 30 BOLT		06
06	0503011841	M10 SELF ADJUSTING NUT		10
07	0503015076	M12 SPRING WASHER		14
08	0511017302	FLAT WASHER		18
09	0511051429	TENSIONER CHAIN		02
09A	0502012693	GEAR 7Z ESTIC LAT LINHA PMT		02
09B	0503011797	BEARING 6005 DDU		02
09C	0503011105	SEAL RING		02
09D	0503010406	501025 CLAMPING RING (FOR AXLE)		02
09E	0521018921	DUST CLOAK		02
09F	0571013848	TIGHTENER AXLE		02
09G	0503015102	M12 X 1,75 X 70 BOLT		02
09H	0503015076	M12 SPRING WASHER		02
10	0561010577	19 X 13,50 SLEEVE		07
11	0503015102	M12 X 1,75 X 70 BOLT		07
12	0521060140	RIGHT FRONT TENSIONER		01
13	0521060141	LEFT FRONT TENSIONER		01
14	0521060129	RIGHT GUIDE TIGHTENER		01
15	0521060128	LH GUIDE TIGHTENER		01
16	0503033041	COMPRESSION SPRING		02
17	0561012098	PIN 13,5 X 35 PMT		02
18	0521060237	CHAIN TENSIONER JACK		02
19	0503010060	1/2" NUT		02
20	0503015052	ROLLER BEARING 6304		02
21	0502012665	8Z GEAR		02
22	0503015081	502052 CLAMPING RING (FOR AXLE)		02



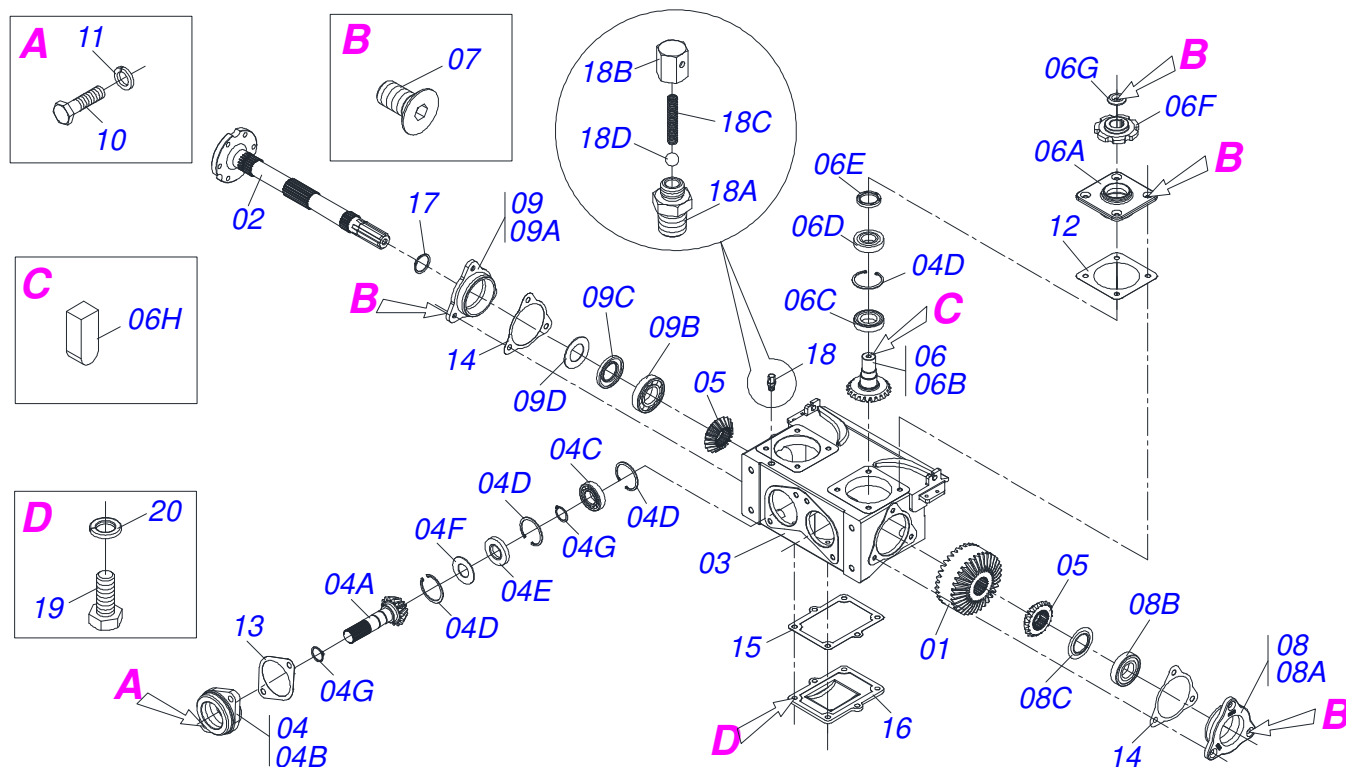
LEFT CORN ROW

0909094072

Item	Code	Description	See page	QT
23	0561010551	20 X 31,5 SLEEVE		02
24	0561011653	DUST CLOAK 55 X 4,5		02
25	0561010576	ALIGNMENT CHAIN		02
26	0503015084	M18 X 1,50 LOCKNUT		02
27	0503014540	M6 NUT		02
28	0503010305	FLAT WASHER		02
29	0561017636	GUIDE CHAIN		02
30	0503015031	CHAIN CA 2060H (7AUE) X 56 LINK		02
31	0561010574	LEFT THROTTLE		01
32	0561010575	RIGHT THROTTLE		01
33	0521060121	BLADE JOINT PIECE		01
34	0561010579	LEFT SCRAPER		01
35	0561010580	RIGHT SCRAPER		01
36	0561010537	RIGHT GUIDE ENTRANCE		01
37	0561012171	LEFT GUIDE ENTRANCE		01
38	0503011952	5/16" X 3/4" BOLT		04
39	0521011039	FLAT WASHER		04
40	0503013816	5/16" LOCKNUT		04
41	0521060120	BOX HITCH		02
42	0501010301	FLAT WASHER		02
43	0521060124	ADJUSTMENT BAR FIXER		01
44	0561010955	FIXER BODY CONTROL		01
45	0503015113	M10 X 1,5 X 45 BOLT		02
46	0503011841	M10 SELF ADJUSTING NUT		03
47	0501011643	3/8 X 1" BOLT		04
48	0571013118	WASHER GUIDE		01
49	0503012254	M12 X 0.7" NUT		02
50	0503015140	M12 X 1,75 X 30 BOLT		01
51	0521063714	BOX FOLLOWER		01
52	0503015348	3/8" BOLT		02
53	0503010025	3/8" SPRING WASHER		02



Item	Code	Description	See page	QT
00	0511050767	TRANSMISSION HUB		01
01	0909094068	BOX ASSY	7	01
02	0511057165	RIGHT COLLECTION ROLLER RIGHT WITH FULL MANCAL		01
02A	0521061834	ROLLER PICKUP RIGHT SMALLER		01
02B	0503015038	SEAL 00503		01
02C	0561011883	FLAT WASHER		01
02D	0502040804	DIRECTOR		01
02E	0503015039	BALL BEARING		01
02F	0503010691	1/4" GREASE FITTING		01
02G	0503015082	502056 CLAMPING RING (FOR AXLE)		02
02H	0502012559	RH FRONT BEARING		01
03	0511057166	LARGER LEFT ROLLER WITH FULL MANCAL		01
03A	0521061835	LEFT ROLLER ROLLER GREATER		01
03B	0503033057	RH BEARING JOINT		01
03C	0503015038	SEAL 00503		02
03D	0503015039	BALL BEARING		01
03E	0503010691	1/4" GREASE FITTING		01
03F	0503015082	502056 CLAMPING RING (FOR AXLE)		01
03G	0502012560	LH FRONT BEARING		01
03H	0561010944	BEARING COVER		01
03I	0503033057	RH BEARING JOINT		01
03J	0503011378	M6X1X16 C S 8.8 ZN BOLT		03
03K	0503015110	M06 SPRING WASHER		03
04	0503010174	501028 CLAMPING RING (FOR AXLE)		02
05	0511015098	FLAT WASHER		04



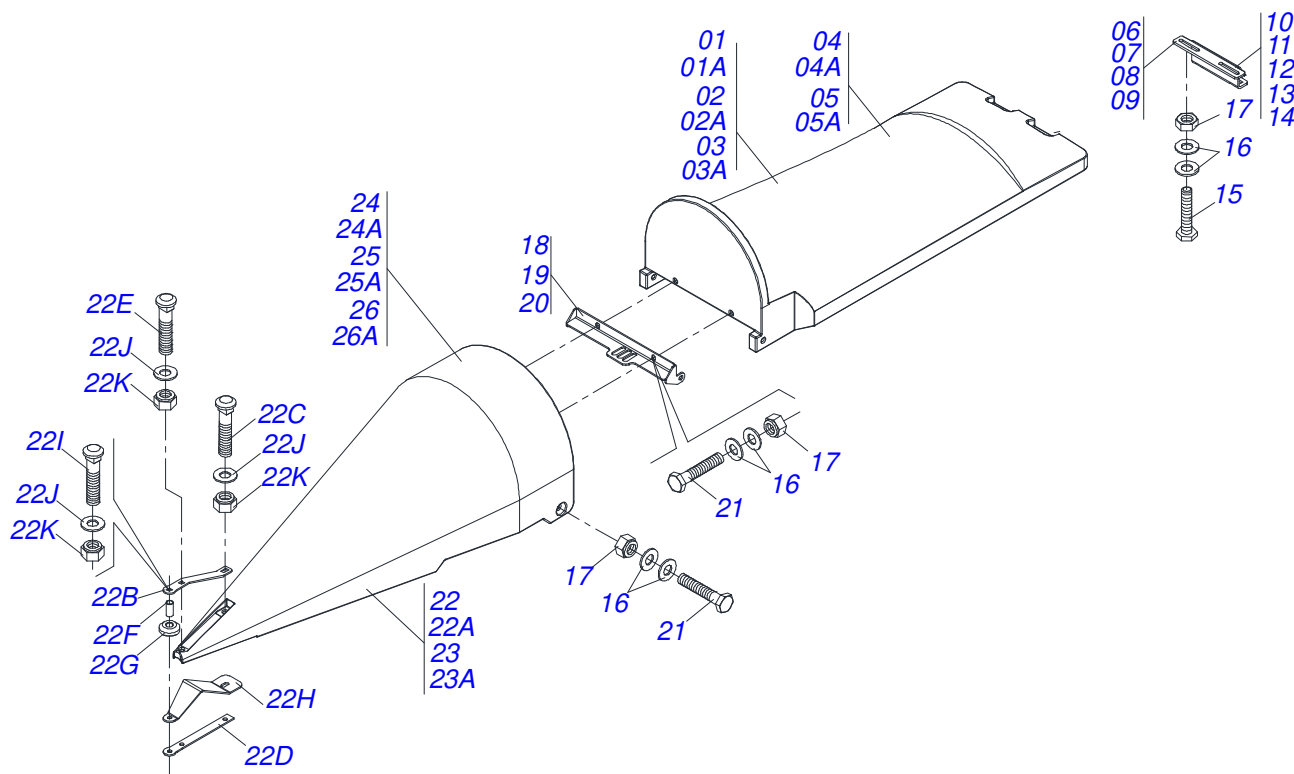
Item	Code	Description	See page	QT
00	0511050111	BOX ASSY PMT S-1010		01
01	0561016783	DOUBLE GEAR		01
02	0561016528	CENTRAL AXLE		01
03	0502012656	PMT S-1010 BOX		01
04	0511050109	BEARING FULL FRONTAL		02
04A	0561016782	PINION CONICAL ROLL		02
04B	0502012657	FRONT ROLLER BEARING		02
04C	0503016064	BEARING		02
04D	0503011800	SEAL RING		08
04E	0503015903	SEAL		02
04F	0561016789	FLAT WASHER		02
04G	0503010707	501030 CLAMPING RING (FOR AXLE)		04
05	0561016784	19Z CONICAL GEAR CURRENT		02
06	0511050103	BEARING FULL TOP		02
06A	0502012654	TOP BEARING CASE		02
06B	0561016785	PINION CONICAL 22Z M4 CHAIN		02
06C	0503016065	ROLLER BEARING		02
06D	0503016063	ROLLER BEARING		02
06E	0503015901	SEAL		02
06F	0502012653	07Z GEAR		02
06G	0561016792	LOCK WASHER		02
06H	0503015902	8,0 X 7,0 X 20 KEYWAY		02
07	0503015046	M10 X 1,50 X 20 BOLT		16
08	0511050107	BEARING LEFT SIDE		014
08A	0502012655	BEARING LEFT SIDE		01
08B	0503016061	BEARING		01
08C	0503016077	SEAL RING		01
09	0511050108	BEARING RIGHT SIDE		01
09A	0502012640	BEARING SIDE BOX		01
09B	0503016062	BEARING		01
09C	0503015900	SEAL		01



BOX ASSY

0909094068

Item	Code	Description	See page	QT
09D	0561016790	FLAT WASHER		01
10	0503010428	M12 X 1,75 X30 BOLT		04
11	0503015076	M12 SPRING WASHER		04
12	0503033348	BOARD TOP BEARING		10
13	0503033347	GASKET		04
14	0503033346	SIDE JOINT BEARING		10
15	0503033349	BOX COVER JOINT SEALING		01
16	0502012558	COUVERTURE CASH ROW PLATEFORME CORN		01
17	0503010217	501040 CLAMPING RING (FOR AXLE)		01
18	0511050190	BREATHE 1/4 BSPT		01
18A	0561016895	HOLE BODY		01
18B	0561016896	BREATHER CAP		01
18C	0503030051	0.2" X 1" X 0.1" COMPRESSION SPRING		01
18D	0503015121	6 MM BALL		01
19	0503010172	M10 X 1,5 X 25 BOLT		06
20	0503015075	M10 SPRING WASHER		06



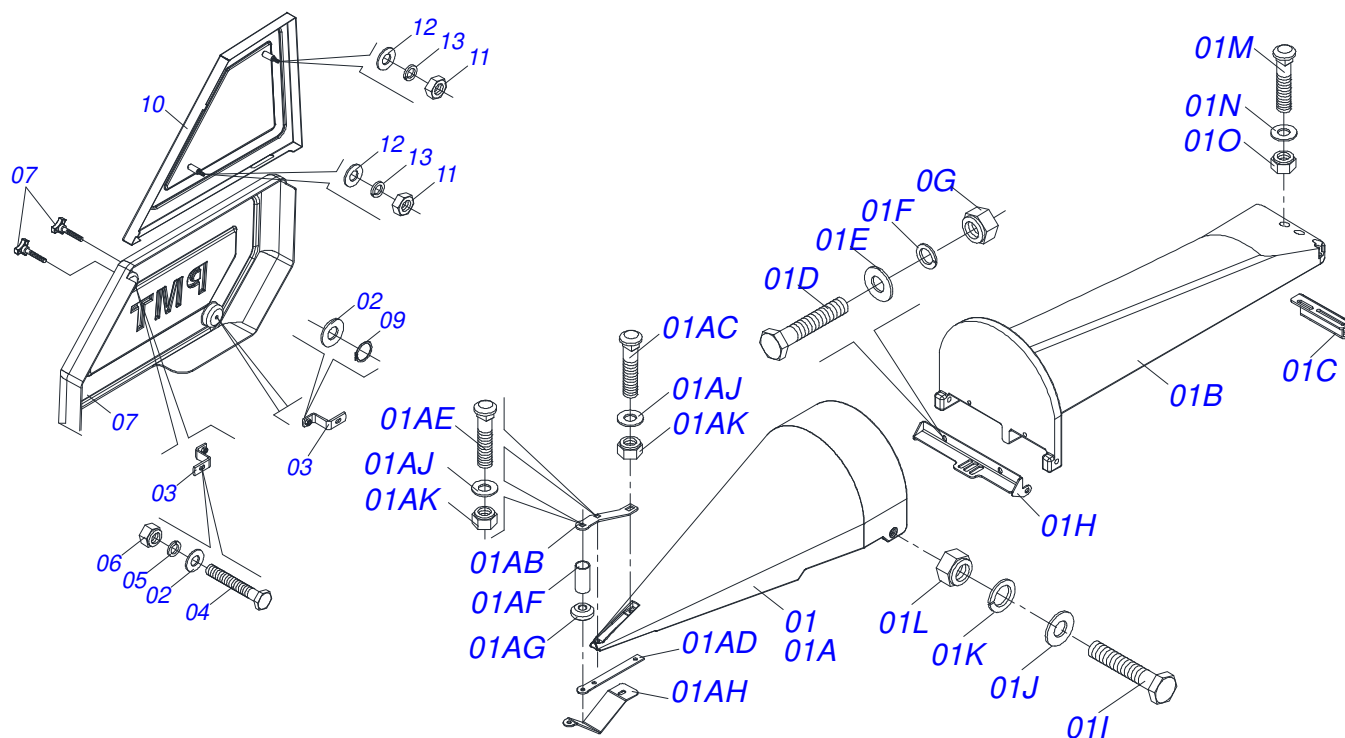
Item	Code	Description	See page	45-50	55-60	65-70	75-80	85-90
01	0501058730	ROW FAIRING SET		01	00	00	00	00
01A	0503033061	REAR FAIRING		01	00	00	00	00
02	0501058883	ROW FAIRING SET		00	01	00	00	00
02A	0503033103	LEFT ROW REAR FAIRING		00	01	00	00	00
03	0501058884	ROW FAIRING SET		00	00	01	00	00
03A	0503033104	LEFT ROW REAR FAIRING		00	00	01	00	00
04	0501058885	ROW FAIRING SET		00	00	00	01	00
04A	0503033105	LEFT ROW REAR FAIRING		00	00	00	01	00
05	0501058886	ROW FAIRING SET		00	00	00	00	01
05A	0503033106	LEFT ROW REAR FAIRING		00	00	00	00	01
06	0521060760	ARTICULATING FAIRING (REAR SPAC.450		01	00	00	00	00
07	0521060745	ARTICULATING FAIRING (REAR SPAC.500		00	01	00	00	00
08	0521060759	ARTICULATING FAIRING (REAR SPAC.550		00	01	00	00	00
09	0521060758	ARTICULATING FAIRING (REAR SPAC.600		00	01	00	00	00
10	0521060757	ARTICULATING FAIRING (REAR SPAC.650		00	00	01	00	00
11	0521060756	ARTICULATING FAIRING (REAR SPAC.700		00	00	01	00	00
12	0521060821	ARTICULATING FAIRING (REAR SPAC.750		00	00	00	01	00
13	0521060820	ARTICULATING FAIRING (REAR SPAC.800		00	00	00	01	00
14	0521060817	ARTICULATING FAIRING (REAR SPAC.900		00	00	00	00	01
15	0503010421	5/16" X 1-1/2" BOLT		02	02	02	02	02
16	0501010694	FLAT WASHER		07	07	07	07	07
17	0503013816	5/16" LOCKNUT		05	05	05	05	05
18	0561011109	FRONT SUPPORT FAIRING		01	01	01	01	01
19	0561012142	FRONT FAIRING SUPPORT		00	00	00	00	01 00 00
20	0561012164	FRONT FAIRING SUPPORT		00	00	00	00	01 00 00
21	0503010882	BOLT		04	04	04	04	04 04
22	0501058708	FRONT WITH PULLEY		01	00	00	00	00
22A	0503033059	ROW 45-50 FRONT FAIRING		01	01	00	00	00 00 00
22B	0561011039	FIXER UPPER SPOUT		01	01	01	01	01
22C	0503015175	5/16 UNC X 2.3/4 UNC BOLT		01	01	01	01	01
22D	0561011038	POINT MIDDLEMAN SUPPORT		01	01	01	01	01



FAIRING SET ROW CENTER

0909098837

Item	Code	Description	See page	45-50	55-60	65-70	75-80	85-90
22E	0503011762	SCREW 5/16UNC X 1.1/4 CAPQ G.2 ZN		01	01	01	01	01
22F	0561011952	10 X 13 X 16 SLEEVE		01	01	01	01	01
22G	0561010963	ROTATIVE NUT		01	01	01	01	01
22H	0561011037	POINT STITCH		01	01	01	01	01
22I	0503012163	5/16" X 1-1/2" BOLT		01	01	01	01	01
22J	0501010694	FLAT WASHER		01	01	01	01	01
22K	0503013816	5/16" LOCKNUT		01	01	01	01	01
23	0501058879	FRONT WITH PULLEY		00	00	01	01	00
23A	0503033099	ROW 55-60 FRONT FAIRING		00	00	01	01	00
24	0501058880	FRONT WITH PULLEY		00	00	00	00	01
24A	0503033100	ROW 65-70 FRONT FAIRING		00	00	00	00	01
25	0501058881	FRONT WITH PULLEY		00	00	00	00	00
25A	0503033101	ROW 75-80 FRONT FAIRING		00	00	00	00	00
26	0501058882	FRONT WITH PULLEY		00	00	00	00	00
26A	0503033102	ROW 85-90 FRONT FAIRING		00	00	00	00	00



Item	Code	Description	See page	QT
001	0501058731	ROW RIGHT FAIRING SET		01
01	0503050086	FRONT SIDE FAIRING		01
01A	0501058708	FRONT WITH PULLEY		01
01AA	0503033059	ROW 45-50 FRONT FAIRING		01
01AB	0561011039	FIXER UPPER SPOUT		01
01AC	0503015175	5/16 UNC X 2.3/4 UNC BOLT		01
01AD	0561011038	POINT MIDDLEMAN SUPPORT		01
01AE	0503011762	SCREW 5/16UNC X 1.1/4 CAPQ G.2 ZN		01
01AF	0561011952	10 X 13 X 16 SLEEVE		01
01AG	0561010963	ROTATIVE NUT		01
01AH	0561011037	POINT STITCH		01
01AI	0503012163	5/16" X 1-1/2" BOLT		01
01AJ	0501010694	FLAT WASHER		03
01AK	0503013816	5/16" LOCKNUT		03
01AL	0503033138	LABEL ADHESIVE REFLECTIVE BICO		01
01B	0503033060	ROW RIGHT REAR FAIRING		01
01C	0521060654	ARTICULATING FAIRING		01
01D	0503011429	M 8 X 1,25 X 40 BOLT		02
01E	0501013687	FLAT WASHER		02
01F	0503014371	M8 SPRING WASHER		02
01G	0503010427	METRIC M8 X P.0.5" NUT		02
01H	0521060562	FRONT FAIRING SUPPORT		01
01I	0503011434	M 8 X 1,25 X 45 BOLT		02
01J	0501013687	FLAT WASHER		02
01K	0503014371	M8 SPRING WASHER		02
01L	0503010427	METRIC M8 X P.0.5" NUT		02
01M	0503011434	M 8 X 1,25 X 45 BOLT		02
01N	0501013518	FLAT WASHER		02
01O	0503010427	METRIC M8 X P.0.5" NUT		04
02	0511017302	FLAT WASHER		10
03	0521062762	FIXER COVER SIDE		02



FAIRING SET ROW RIGHT

0909098835

Item	Code	Description	See page	QT
04	0503010920	1/2" X 1.1/2" BOLT		02
05	0503015076	M12 SPRING WASHER		02
06	0503014523	1/2 LOCKNUT		02
07	0503033569	PROTECTION COVER SIDE RIGHT		01
08	0503033682	KNOB 3P K3 60A M12 X 40		02
09	0503010291	501012 CLAMPING RING (FOR AXLE)		02
10	0521062786	PROTECTION SIDE SUPPORT RIGHT		01
11	0503010026	3/8" NUT		02
12	0501010984	FLAT WASHER		02
13	0503010025	3/8" SPRING WASHER		02

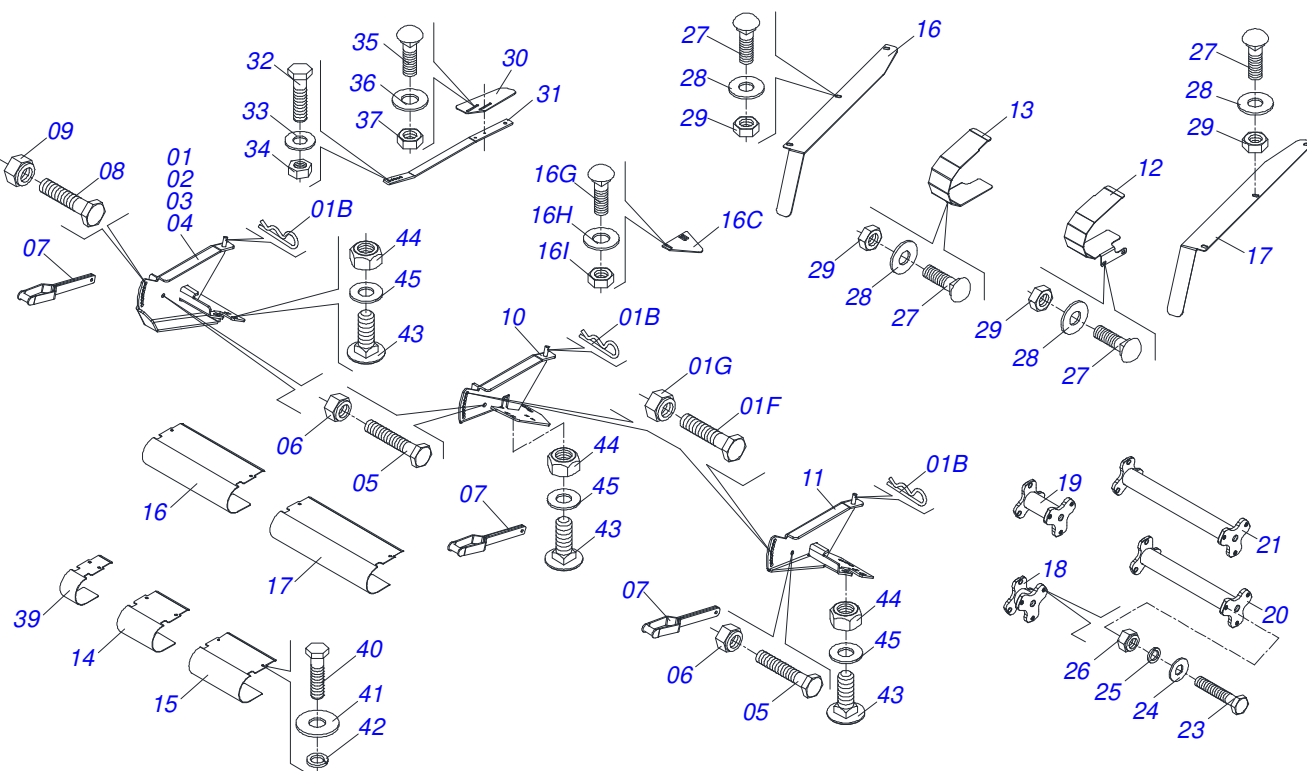


FAIRING SET ROW LEFT

0909098836

Item	Code	Description	See page	QT
05	0503015076	M12 SPRING WASHER		02
06	0503014523	1/2 LOCKNUT		02
07	0503033569	PROTECTION COVER SIDE RIGHT		01
08	0503033682	KNOB 3P K3 60A M12 X 40		02
09	0503010291	501012 CLAMPING RING (FOR AXLE)		02
10	0521062786	PROTECTION SIDE SUPPORT RIGHT		01
11	0503010026	3/8" NUT		02
12	0501010984	FLAT WASHER		02
13	0503010025	3/8" SPRING WASHER		02

FRAME



Item	Code	Description	See page	450	500	550	800	900
01	0521060210	POINT FIXER		01	01	00	00	00
02	0521060591	550/600 POINT FIXER		00	00	01	00	00
03	0521060592	750/800 POINT FIXER		00	00	00	01	00
04	0521060593	850/900 POINT FIXER		00	00	00	00	01
05	0503014746	M10 X 1,5 X 40 BOLT		03	03	03	03	03
06	0503011051	M10 X 0.6" NUT		03	03	03	03	03
07	0521060198	POINT SUPPORT		03	03	03	03	03
08	0503010295	SCREW 5/16 UNC X 5/8 CS G.2 ZN		03	03	03	03	03
09	0503013816	5/16" LOCKNUT		03	03	03	03	03
10	0521060234	LH POINT FIXER		01	01	01	01	01
11	0521060233	RIGHT POINT FIXER		01	01	01	01	01
12	0561015173	RH SIDE COUPLING PROTECTION		01	01	00	00	00
13	0561015174	RH SIDE COUPLING PROTECTION		01	01	00	00	00
14	0561014956	PROTECTION PROTRACTOR		00	01	00	00	00
15	0561014954	PROTECTION PROTRACTOR		00	00	01	00	00
16	0561014949	PROTECTION PROTRACTOR		00	00	00	01	00
17	0561014947	PROTECTION PROTRACTOR		00	00	00	00	01
18	0521061833	PROLONG 500 PMT		00	01	00	00	00
19	0521061907	PROLONG 550 PMT		00	00	01	00	00
20	0521061912	PROLONG 800		00	00	00	01	00
21	0521061914	PROLONG 900 PMT S-0111		00	00	00	00	01
22	0503033075	SIDE CONTROLLER		01	01	01	01	01
23	0503011082	C1/2" X 1.3/4" SCREW		03	03	03	03	03
24	0511017302	FLAT WASHER		03	03	03	03	03
25	0503010019	1/2" SPRING WASHER		03	03	03	03	03
26	0503011336	1/2" HEX SELF ADJUSTING NUT		03	03	03	03	03
27	0501011643	3/8 X 1" BOLT		10	10	10	10	10
28	0501010984	FLAT WASHER		10	10	10	10	10
29	0503013357	3/8" SELF-ADJUSTING NUT		10	10	10	10	10
30	0561012614	PLATE REAR PMT		02	02	02	02	02
31	0561012483	SIDE BAR		02	02	02	02	02

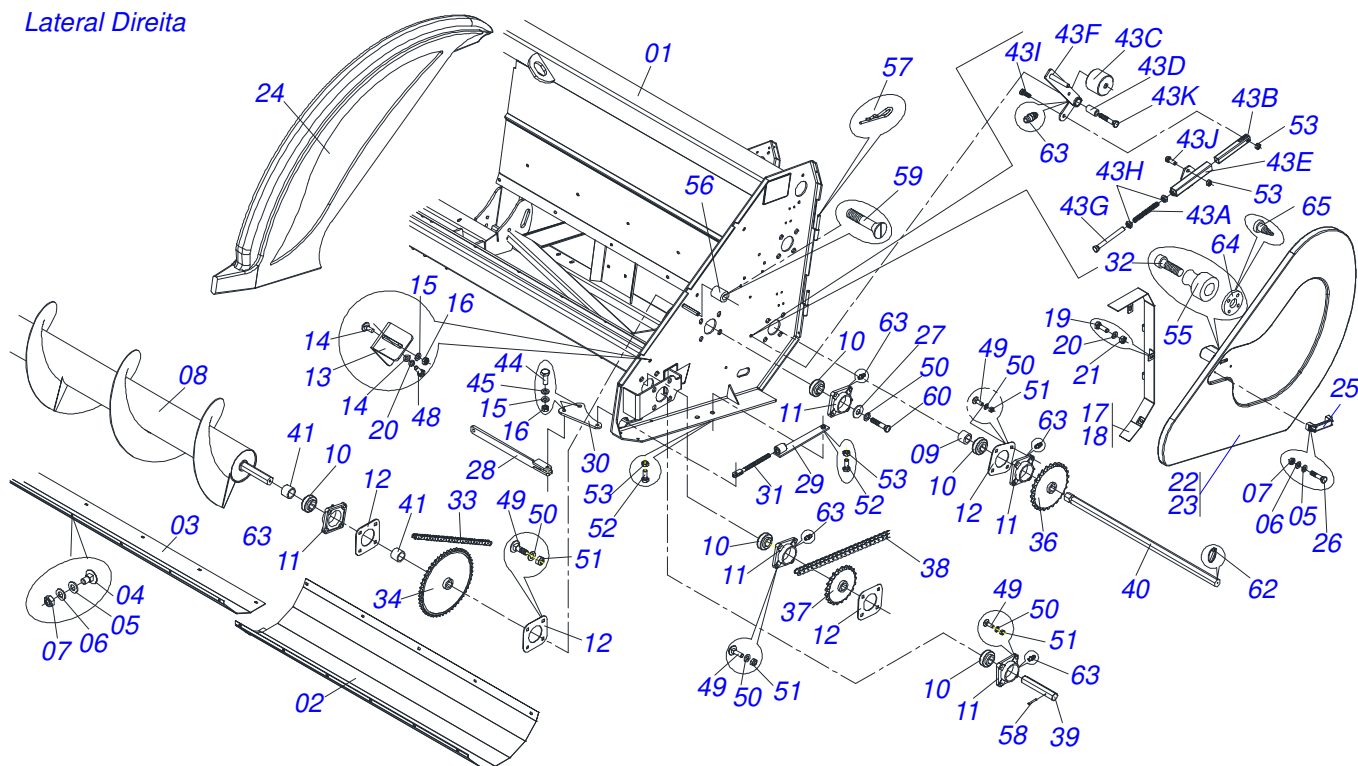


FRAME

0909098840

Item	Code	Description	See page	450	500	550	800	900
32	0503015112	M10 X 1,5 X 30 BOLT		02	02	02	02	02
33	0501010984	FLAT WASHER		02	02	02	02	02
34	0503011051	M10 X 0.6" NUT		02	02	02	02	02
35	0503011953	5/16" X 1" BOLT		04	04	04	04	04
36	0521011039	FLAT WASHER		04	04	04	04	04
37	0503013816	5/16" LOCKNUT		04	04	04	04	04
38	0503030168	CUPILLA		03	03	03	03	03
39	0561014957	PROTECTION COVER		01	01	01	01	01
40	0503011295	M 8 X 1,25 X 25 BOLT		02	02	02	02	02
41	0501010694	FLAT WASHER		02	02	02	02	02
42	0503014371	M8 SPRING WASHER		02	02	02	02	02
43	0501011643	3/8 X 1"BOLT		08	08	08	08	08
44	0503013357	3/8" SELF-ADJUSTING NUT		08	08	08	08	08
45	0501013518	FLAT WASHER		08	08	08	08	08

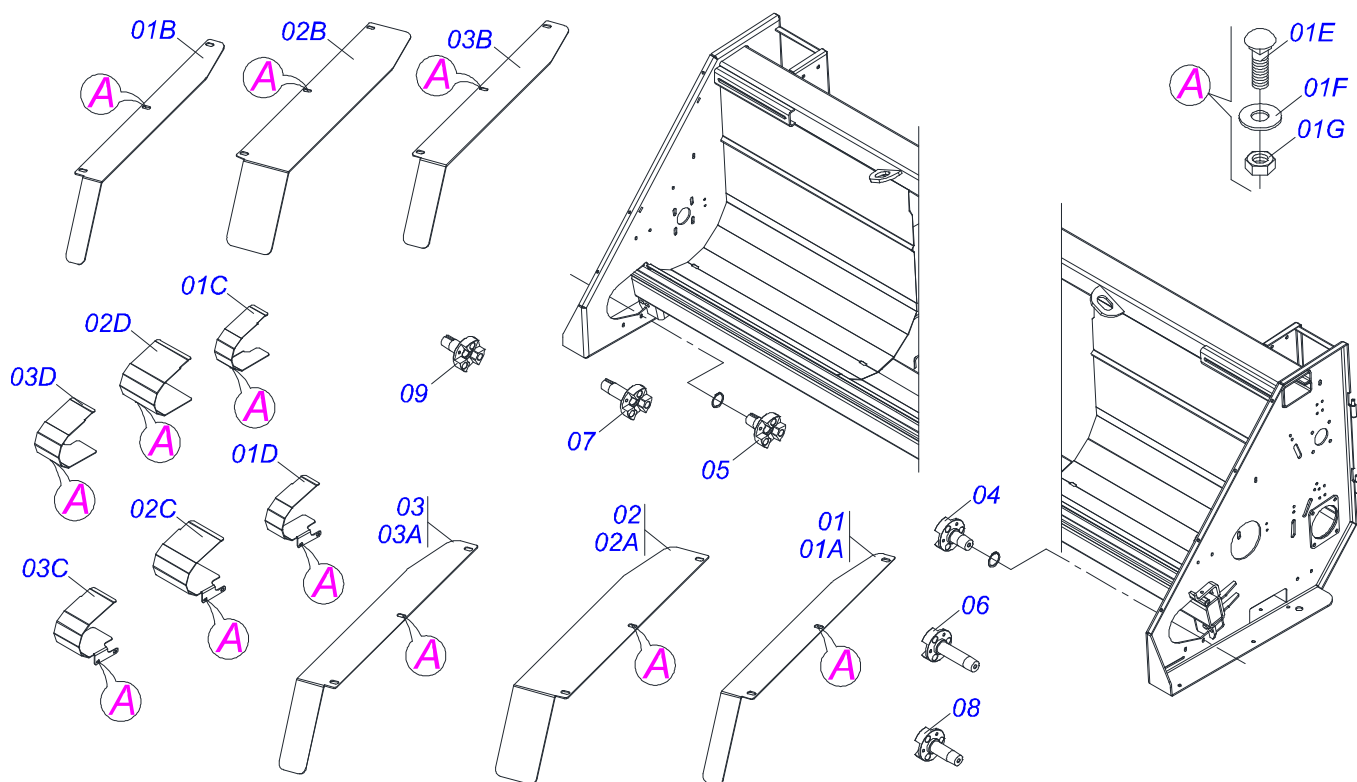
Lateral Direita



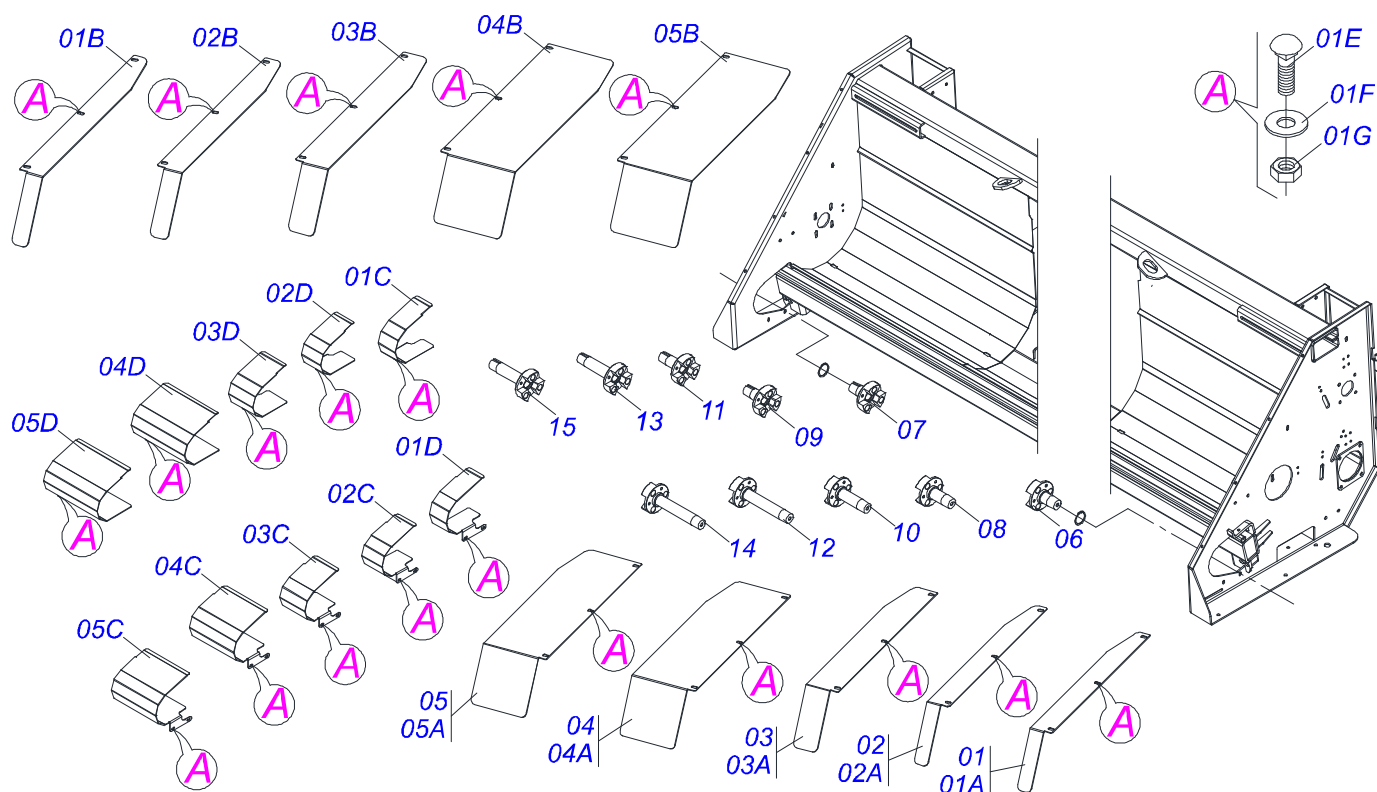
Item	Code	Description	See page	QT
01	0521060171	FRAME PMT 9		01
02	0521060148	PROTECTION LOWER LEFT		01
03	0561010740	PROTECTION LOWER CENTRAL		01
04	0503011952	5/16" X 3/4" BOLT		33
05	0503010179	LOCK WASHER		37
06	0501010694	FLAT WASHER		37
07	0503010337	5/16" NUT		37
08	0503061773	CONDUTOR HELICOIDAL 3975 PMT 9		01
09	0561012094	SLEEVE 37,5 X 50,80 X 40		02
10	0503015037	BEARING		02
11	0503033053	BEARING		02
12	0561011114	BEARING SUPPORT		02
13	0561010928	FASTENER FAIRING		06
14	0501010942	3/8" X 1-1/4" BOLT		12
15	0503010025	3/8" SPRING WASHER		12
16	0503010026	3/8" NUT		12
17	0521060466	SUPPORT COVER RIGHT SIDE		01
18	0521060467	SUPPORT COVER LEFT SIDE		01
19	0503014691	M12 X 1,75 X 25 BOLT		06
20	0503015076	M12 SPRING WASHER		06
21	0503012254	M12 X 0.7" NUT		06
22	0503033063	BODY RIGHT SIDE FAIRING		01
23	0503033064	BODY LEFT SIDE FAIRING		01
24	0503033065	BODY SIDE FAIRING		02
25	0503011717	DISC 4835 DELINTED COTTON / BEAN		02
26	0501010836	5/16" X 1-3/4" BOLT		04
27	0511013576	FLAT WASHER		01
28	0521060224	OFFSET BAR		01
29	0521060222	FIXING BASE		01
30	0561010927	EAR PIVOT		01
31	0521060220	R.5/8 UNCJACK		01



Item	Code	Description	See page	QT
32	0503014521	5/16 UNC X 1.1/2 CCSI 12.9 BOLT		04
33	0503015103	80-1 CHAIN X 82 LINK + REDUCTION		02
34	0521060223	51Z GEAR		02
36	0521060217	26Z GEAR		02
37	0521060218	21Z GEAR		02
38	0503015104	60-1 CHAIN X 79 LINK + MENDING		01
39	0561011172	31,75 X 178 HEX AXLE		02
40	0561011170	31,75 X 410 HEX AXLE		02
41	0561012088	SLEVE FIXATION GEAR		02
42	0561011117	SLEEVE TENSIONER		02
43	0501058703	TENSIONER CHAIN		01
43A	0503033058	COMPRESSION SPRING		01
43B	0521060350	PROFILE INNER TENSIONER		01
43C	0561011117	SLEEVE TENSIONER		01
43D	0561010961	SLEEVE 13,20 X 21,40 X 38,00		01
43E	0521060214	TENSIONER BASE		01
43F	0521060215	TENSIONER CHAIN		01
43G	0521060237	CHAIN TENSIONER JACK		01
43H	0503010060	1/2" NUT		01
43I	0503015130	M10 X 1,5 X 35 BOLT		02
43J	0503010172	M10 X 1,5 X 25 BOLT		02
43K	0503015108	M12 X 1,75 X 65 BOLT		01
44	0503010849	3/8" X 1-1/2" BOLT		00
45	0501010984	FLAT WASHER		00
46	0503010025	3/8" SPRING WASHER		00
47	0503010026	3/8" NUT		00
48	0503014691	M12 X 1,75 X 25 BOLT		06
49	0501010711	1/2" X 1-5/8" BOLT		16
50	0503010019	1/2" SPRING WASHER		16
51	0503010020	1/2"NUT		16
52	0503015112	M10 X 1,5 X 30 BOLT		02
53	0503011841	M10 SELF ADJUSTING NUT		02
54	0503010849	3/8" X 1-1/2" BOLT		02
55	0503011314	SUPPORT		04
56	0503011315	SHOCK ABSORBER		04
57	0503030168	CUPILLA		04
58	0503010756	0.2" X 2.4" SPRING PIN		01
59	0503010814	5/16 BOLT		04
60	0503014691	M12 X 1,75 X 25 BOLT		02
62	0503030085	LOCK PIN		01
63	0503010691	1/4" GREASE FITTING		05



Item	Code	Description	See page	7/450	5/600	5/650	4/800	4/900
01	0511052825	PROTECTION SIDE FINISHING		01	00	00	00	01
01A	0571013033	FINISHING THE LEFT SIDE FAIRING (50 PMT)		01	00	00	00	01
01B	0571013032	FINISHING THE RIGHT SIDE FAIRING (50 PMT)		01	00	00	00	01
01C	0571013251	PROTECTION COUPLING SIDE RIGHT		01	00	00	00	01
01D	0571013250	PROTECTION COUPLING SIDE LEFT		01	00	00	00	01
01E	0501011643	3/8 X 1" BOLT		10	10	10	10	10
01F	0501010984	FLAT WASHER		10	10	10	10	10
01G	0503013357	3/8" SELF-ADJUSTING NUT		10	10	10	10	10
02	0511052832	PROTECTION SIDE FINISHING		00	01	00	01	00
02A	0571012898	FINISHING THE LEFT SIDE FAIRING (200 PMT)		00	01	00	01	00
02B	0571012897	FINISHING THE RIGHT SIDE FAIRING (200 PMT)		00	01	00	01	00
02C	0571013275	PROTECTION COUPLING SIDE LEFT		00	01	00	01	00
02D	0571013274	PROTECTION COUPLING SIDE RIGHT		00	01	00	01	00
03	0511052828	PROTECTION SIDE FINISHING 100 PMT		00	00	01	00	00
03A	0571012906	FINISHING THE LEFT SIDE FAIRING (100 PMT)		00	00	01	00	00
03B	0571012905	FINISHING THE RIGHT SIDE FAIRING (100 PMT)		00	00	01	00	00
03C	0571013267	PROTECTION COUPLING SIDE LEFT		00	00	01	00	00
03D	0571013266	PROTECTION COUPLING SIDE RIGHT		00	00	01	00	00
04	0521063685	50 LH SIDE FOLLOWER		01	00	00	00	01
05	0521063684	50 RH SIDE FOLLOWER		01	00	00	00	01
06	0521063708	200 LH SIDE FOLLOWER		00	01	00	01	00
07	0521063704	200 RH SIDE FOLLOWER		00	01	00	01	00
08	0521063689	100 LH SIDE FOLLOWER		00	00	01	00	00
09	0521062794	100 RH SIDE FOLLOWER		00	00	01	00	00

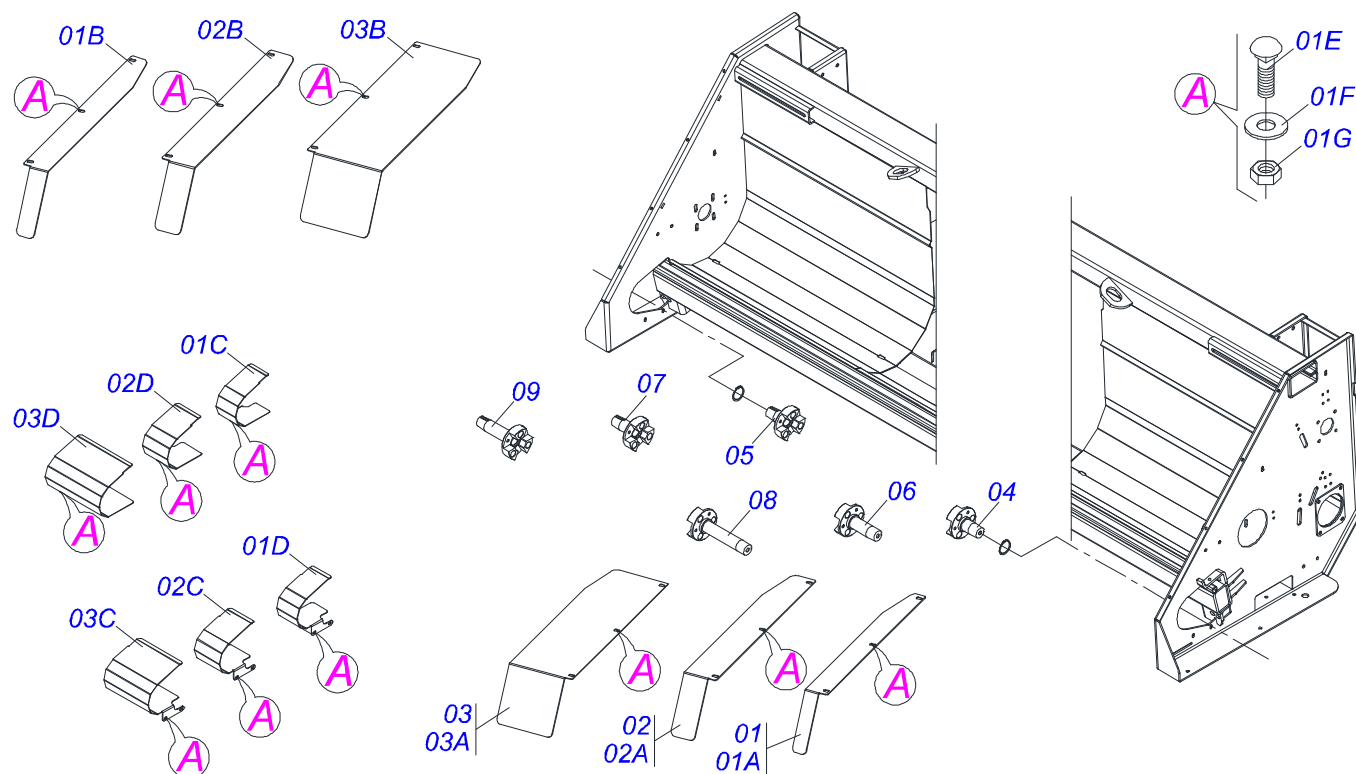


Item	Code	Description	See page	8/450	6/600	5/700	5/800	4/900
01	0511052825	PROTECTION SIDE FINISHING		01	00	00	00	00
01A	0571013033	FINISHING THE LEFT SIDE FAIRING (50 PMT)		01	00	00	00	00
01B	0571013032	FINISHING THE RIGHT SIDE FAIRING (50 PMT)		01	00	00	00	00
01C	0571013251	PROTECTION COUPLING SIDE RIGHT		01	00	00	00	00
01D	0571013250	PROTECTION COUPLING SIDE LEFT		01	00	00	00	00
01E	0501011643	3/8 X 1" BOLT		10	10	10	10	10
01F	0501010984	FLAT WASHER		10	10	10	10	10
01G	0503013357	3/8" SELF-ADJUSTING NUT		10	10	10	10	10
02	0511052829	PROTECTION SIDE FINISHING		00	01	00	01	00
02A	0571012904	FINISHING THE LEFT SIDE FAIRING (125 PMT)		00	01	00	01	00
02B	0571012903	FINISHING THE RIGHT SIDE FAIRING (125 PMT)		00	01	00	01	00
02C	0571013269	PROTECTION COUPLING SIDE LEFT		00	01	00	01	01
02D	0571013268	PROTECTION COUPLING SIDE RIGHT		00	01	00	01	00
03	0511052833	PROTECTION SIDE FINISHING 225 PMT		00	00	01	00	00
03A	0571012896	FINISHING THE LEFT SIDE FAIRING (225 PMT)		00	00	01	00	00
03B	0571012895	FINISHING THE RIGHT SIDE FAIRING (225 PMT)		00	00	01	00	00
03C	0571013277	PROTECTION COUPLING SIDE LEFT		00	00	01	00	00
03D	0571013276	PROTECTION COUPLING SIDE RIGHT		00	00	01	00	00
04	0511052834	PROTECTION SIDE FINISHING 250 PMT		00	00	00	01	00
04A	0571012894	FINISHING THE LEFT SIDE FAIRING (250 PMT)		00	00	00	01	00
04B	0571012893	FINISHING THE RIGHT SIDE FAIRING (250 PMT)		00	00	00	01	00
04C	0571013279	PROTECTION COUPLING SIDE LEFT		00	00	00	01	00
04D	0571013278	PROTECTION COUPLING SIDE RIGHT		00	00	00	01	00
05	0511052835	PROTECTION SIDE FINISHING 275 PMT		00	00	00	00	01
05A	0571012892	FINISHING THE LEFT SIDE FAIRING (275 PMT)		00	00	00	00	01
05B	0571012891	FINISHING THE RIGHT SIDE FAIRING (275 PMT)		00	00	00	00	01
05C	0571013281	PROTECTION COUPLING SIDE LEFT		00	00	00	00	01
05D	0571013280	PROTECTION COUPLING SIDE RIGHT		00	00	00	00	01
06	0521063685	50 LH SIDE FOLLOWER		01	00	00	00	00
07	0521063684	50 RH SIDE FOLLOWER		01	00	00	00	00
08	0521063691	125 LH SIDE FOLLOWER		00	01	00	00	00

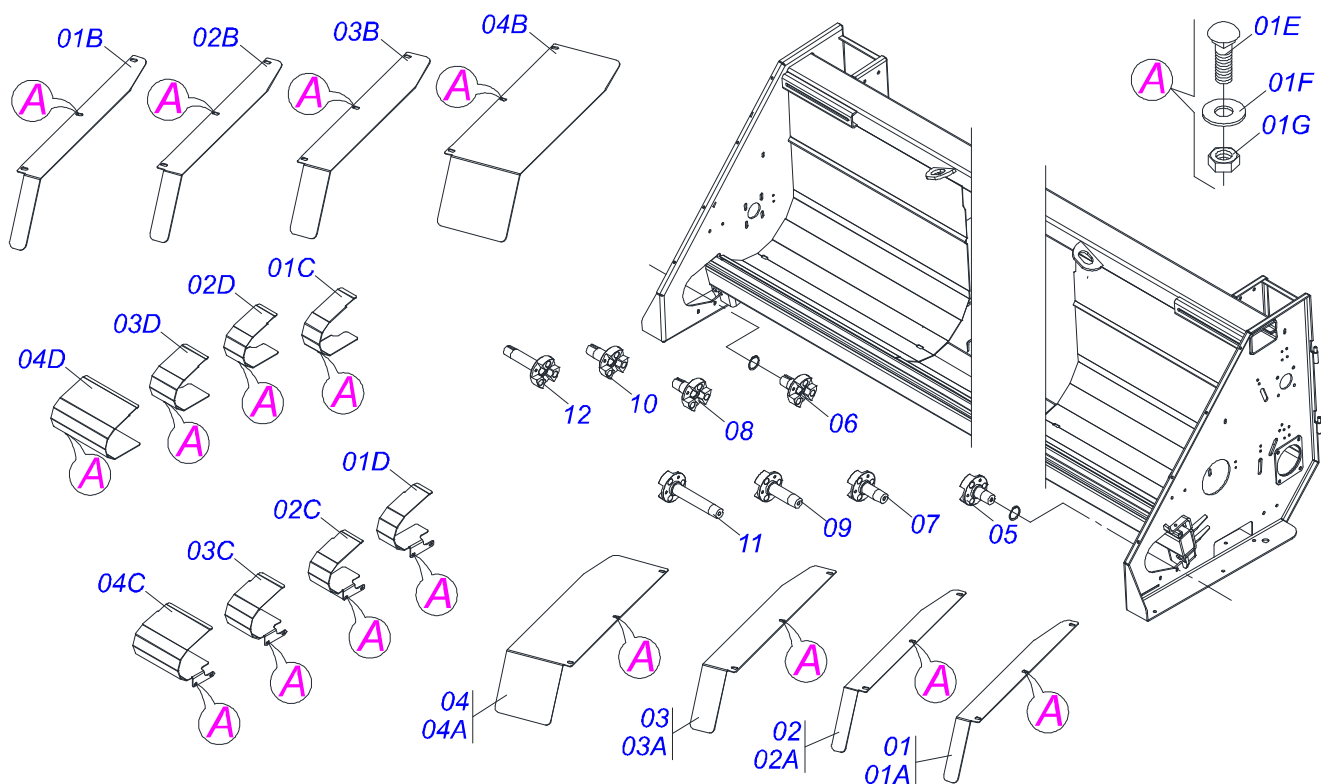


PMT 04/07/08/09/10/11/12 LINES
FOLLOWER SIDE PROTECTION 3700

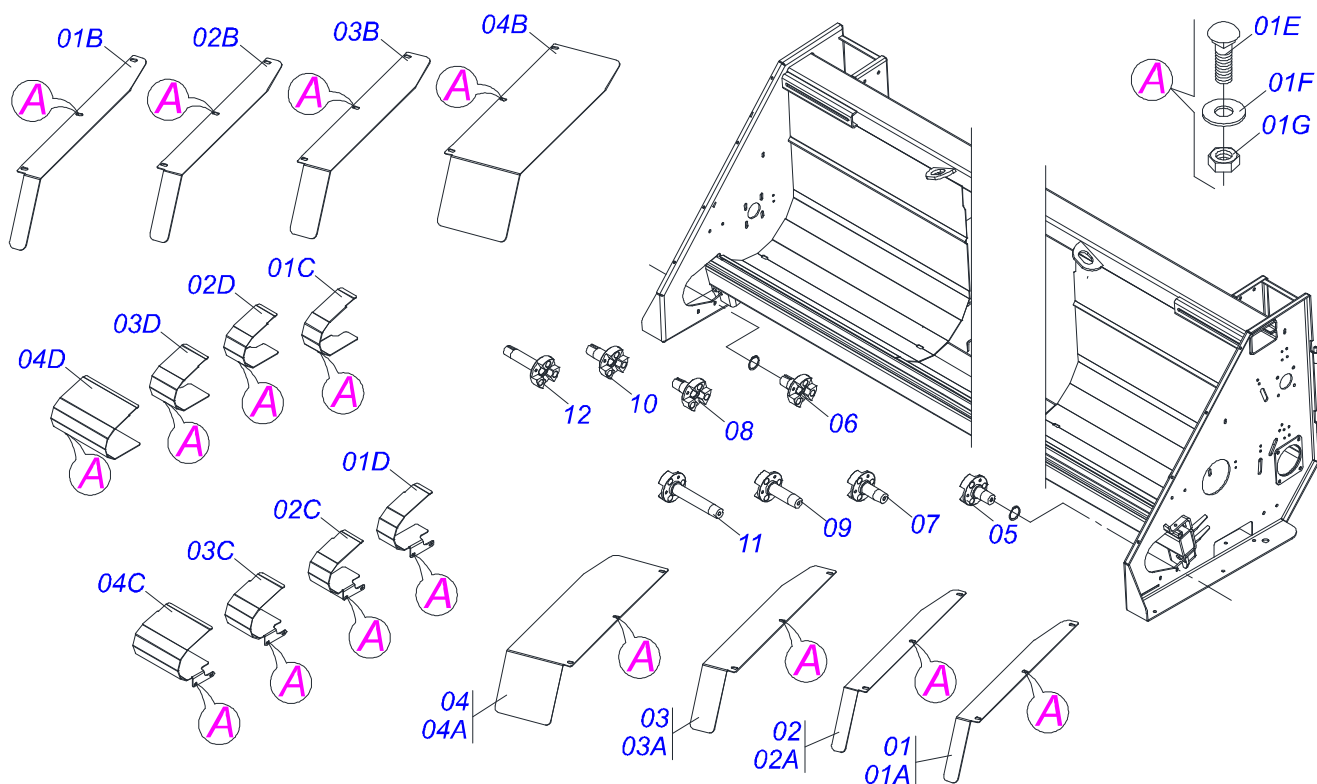
Item	Code	Description	See page	8/450	6/600	5/700	5/800	4/900
09	0521063691	125 LH SIDE FOLLOWER		00	01	00	00	00
10	0521063699	225 LH SIDE FOLLOWER		00	00	01	00	00
11	0521063698	225 RH SIDE FOLLOWER		00	00	01	00	00
12	0521063697	250 LH SIDE FOLLOWER		00	00	00	01	00
13	0521063696	250 RH SIDE FOLLOWER		00	00	00	01	00
14	0521063701	275 LH SIDE FOLLOWER		00	00	00	00	01
15	0521063721	275 RH SIDE FOLLOWER		00	00	00	00	01



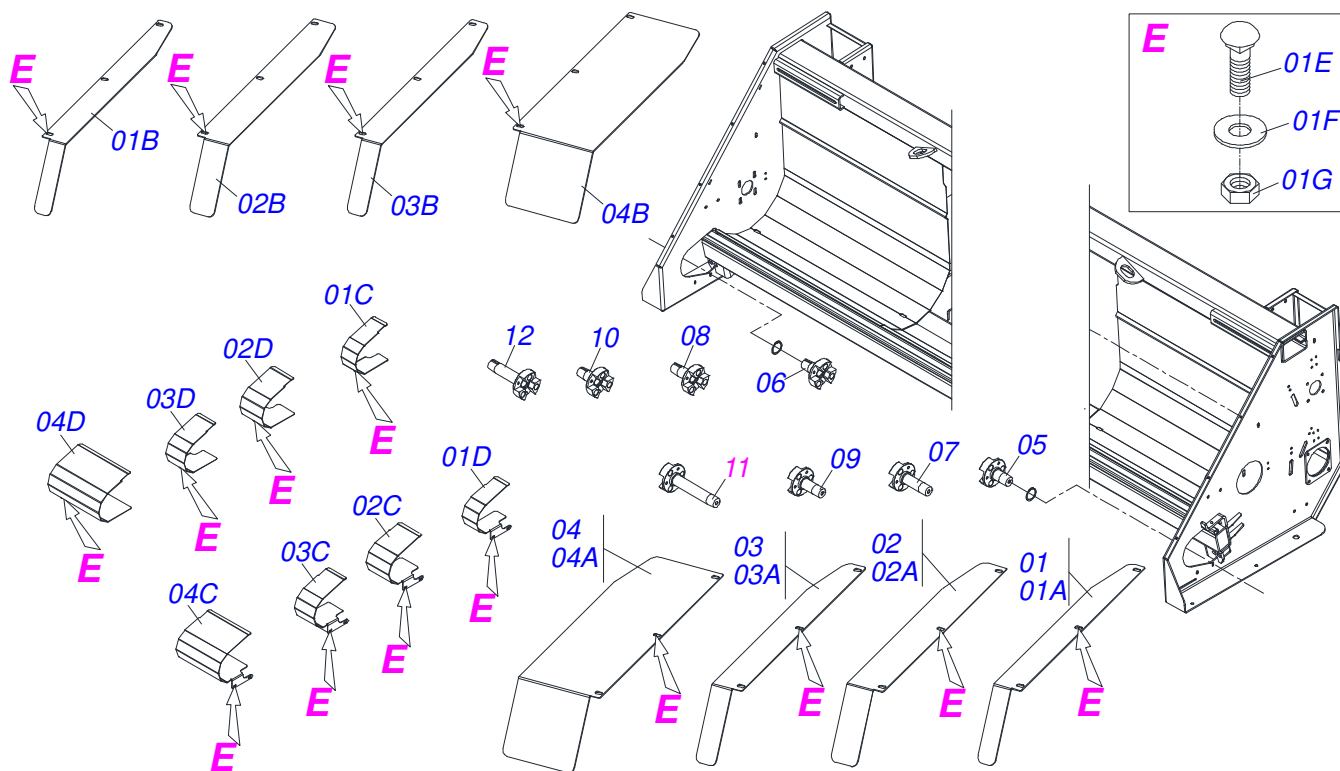
Item	Code	Description	See page	9/450	8/500	7/600	6/700	5/800	5/900
01	0511052825	PROTECTION SIDE FINISHING		01	00	01	00	00	01
01A	0571013033	FINISHING THE LEFT SIDE FAIRING (50 PMT)		01	00	01	00	00	01
01B	0571013032	FINISHING THE RIGHT SIDE FAIRING (50 PMT)		01	00	01	00	00	01
01C	0571013251	PROTECTION COUPLING SIDE RIGHT		01	00	01	00	00	01
01D	0571013250	PROTECTION COUPLING SIDE LEFT		01	00	01	00	00	01
01E	0501011643	3/8 X 1" BOLT		10	10	10	10	10	10
01F	0501010984	FLAT WASHER		10	10	10	10	10	10
01G	0503013357	3/8" SELF-ADJUSTING NUT		10	10	10	10	10	10
02	0511052828	PROTECTION SIDE FINISHING 100 PMT		00	01	00	01	00	00
02A	0571012906	FINISHING THE LEFT SIDE FAIRING (100 PMT)		00	01	00	01	00	00
02B	0571012905	FINISHING THE RIGHT SIDE FAIRING (100 PMT)		00	01	00	01	00	00
02C	0571013267	PROTECTION COUPLING SIDE LEFT		00	01	00	01	00	00
02D	0571013266	PROTECTION COUPLING SIDE RIGHT		00	01	00	01	00	00
03	0511052834	PROTECTION SIDE FINISHING 250 PMT		00	00	00	00	01	00
03A	0571012894	FINISHING THE LEFT SIDE FAIRING (250 PMT)		00	00	00	00	01	00
03B	0571012893	FINISHING THE RIGHT SIDE FAIRING (250 PMT)		00	00	00	00	01	00
03C	0571013279	PROTECTION COUPLING SIDE LEFT		00	00	00	00	01	00
03D	0571013278	PROTECTION COUPLING SIDE RIGHT		00	00	00	00	01	00
04	0521063685	50 LH SIDE FOLLOWER		01	00	01	00	00	01
05	0521063684	50 RH SIDE FOLLOWER		01	00	01	00	00	01
06	0521063689	100 LH SIDE FOLLOWER		00	01	00	01	00	00
07	0521062794	100 RH SIDE FOLLOWER		00	01	00	01	00	00
08	0521063697	250 LH SIDE FOLLOWER		00	00	00	00	01	00
09	0521063696	250 RH SIDE FOLLOWER		00	00	00	00	01	00



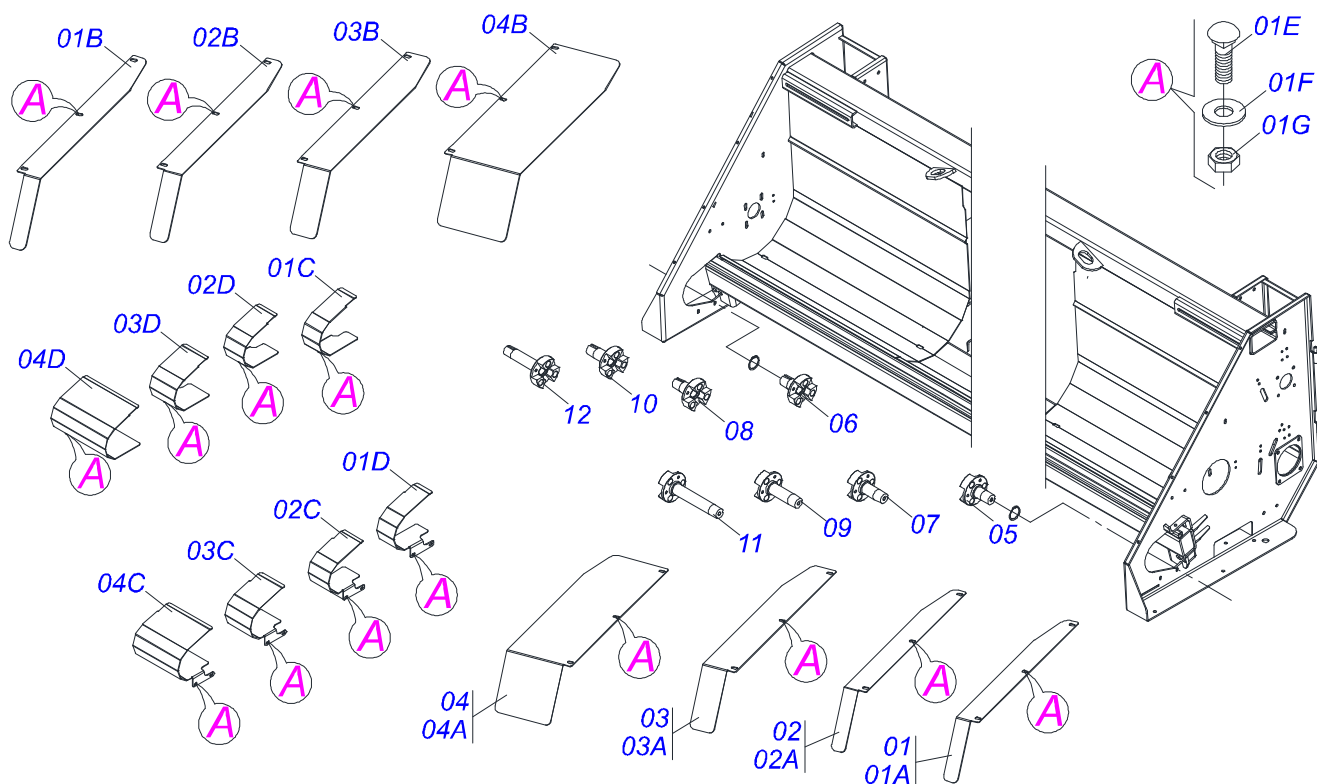
Item	Code	Description	See page	10/450	9/500	8/550	6/800	5/900
01	0511052825	PROTECTION SIDE FINISHING		01	00	00	00	00
01A	0571013033	FINISHING THE LEFT SIDE FAIRING (50 PMT)		01	00	00	00	00
01B	0571013032	FINISHING THE RIGHT SIDE FAIRING (50 PMT)		01	00	00	00	00
01C	0571013251	PROTECTION COUPLING SIDE RIGHT		01	00	00	00	00
01D	0571013250	PROTECTION COUPLING SIDE LEFT		01	00	00	00	00
01E	0501011643	3/8 X 1" BOLT		10	10	10	10	10
01F	0501010984	FLAT WASHER		10	10	10	10	10
01G	0503013357	3/8" SELF-ADJUSTING NUT		10	10	10	10	10
02	0511052826	PROTECTION SIDE FINISHING 75 PMT		00	01	00	01	00
02A	0571013035	FINISHING THE LEFT SIDE FAIRING 75		00	01	00	01	00
02B	0571013034	FINISHING THE RIGHT SIDE FAIRING 75		00	01	00	01	00
02C	0571013252	PROTECTION COUPLING SIDE LEFT		00	01	00	01	00
02D	0571013253	PROTECTION COUPLING SIDE RIGHT		00	01	00	01	00
03	0511052830	PROTECTION SIDE FINISHING		00	00	01	00	00
03A	0571012902	FINISHING THE LEFT SIDE FAIRING (150 PMT)		00	00	01	00	00
03B	0571012901	FINISHING THE RIGHT SIDE FAIRING (150 PMT)		00	00	01	00	00
03C	0571013271	PROTECTION COUPLING SIDE LEFT		00	00	01	00	00
03D	0571013270	PROTECTION COUPLING SIDE RIGHT		00	00	01	00	00
04	0511052835	PROTECTION SIDE FINISHING 275 PMT		00	00	00	00	01
04A	0571012892	FINISHING THE LEFT SIDE FAIRING (275 PMT)		00	00	00	00	01
04B	0571012891	FINISHING THE RIGHT SIDE FAIRING (275 PMT)		00	00	00	00	01
04C	0571013281	PROTECTION COUPLING SIDE LEFT		00	00	00	00	01
04D	0571013280	PROTECTION COUPLING SIDE RIGHT		00	00	00	00	01
05	0521063685	50 LH SIDE FOLLOWER		01	00	00	00	00
06	0521063684	50 RH SIDE FOLLOWER		01	00	00	00	00
07	0521063687	75 LH SIDE FOLLOWER		00	01	00	01	00
08	0521063686	75 RH SIDE FOLLOWER		00	01	00	01	00
09	0521063695	150 LH SIDE FOLLOWER		00	00	01	00	00
10	0521063694	150 RH SIDE FOLLOWER		00	00	01	00	00
11	0521063701	275 LH SIDE FOLLOWER		00	00	00	00	01
12	0521063721	275 RH SIDE FOLLOWER		00	00	00	00	01



Item	Code	Description	See page	11/450	10/500	9/550	8/600	7/700	6/800
01	0511052825	PROTECTION SIDE FINISHING		01	01	00	00	00	00
01A	0571013033	FINISHING THE LEFT SIDE FAIRING (50 PMT)		01	01	00	00	00	00
01B	0571013032	FINISHING THE RIGHT SIDE FAIRING (50 PMT)		01	01	00	00	00	00
01C	0571013251	PROTECTION COUPLING SIDE RIGHT		01	01	00	00	00	00
01D	0571013250	PROTECTION COUPLING SIDE LEFT		01	01	00	00	00	00
01E	0501011643	3/8 X 1" BOLT		10	10	10	10	10	10
01F	0501010984	FLAT WASHER		10	10	10	10	10	10
01G	0503013357	3/8" SELF-ADJUSTING NUT		10	10	10	10	10	10
02	0511052828	PROTECTION SIDE FINISHING 100 PMT		00	00	01	00	00	00
02A	0571012906	FINISHING THE LEFT SIDE FAIRING (100 PMT)		00	00	01	00	00	00
02B	0571012905	FINISHING THE RIGHT SIDE FAIRING (100 PMT)		00	00	01	00	00	00
02C	0571013267	PROTECTION COUPLING SIDE LEFT		00	00	01	00	00	00
02D	0571013266	PROTECTION COUPLING SIDE RIGHT		00	00	01	00	00	00
03	0511052832	PROTECTION SIDE FINISHING		00	00	00	01	01	00
03A	0571012898	FINISHING THE LEFT SIDE FAIRING (200 PMT)		00	00	00	01	01	00
03B	0571012897	FINISHING THE RIGHT SIDE FAIRING (200 PMT)		00	00	00	01	01	00
03C	0571013275	PROTECTION COUPLING SIDE LEFT		00	00	00	01	01	00
03D	0571013274	PROTECTION COUPLING SIDE RIGHT		00	00	00	01	01	00
04	0511052836	PROTECTION SIDE FINISHING 300 PMT		00	00	00	00	00	01
04A	0571012890	FINISHING THE LEFT SIDE FAIRING (300 PMT)		00	00	00	00	00	01
04B	0571012889	FINISHING THE RIGHT SIDE FAIRING (300 PMT)		00	00	00	00	00	01
04C	0571013283	PROTECTION COUPLING SIDE LEFT		00	00	00	00	00	01
04D	0571013282	PROTECTION COUPLING SIDE RIGHT		00	00	00	00	00	01
05	0521063685	50 LH SIDE FOLLOWER		01	01	00	00	00	00
06	0521063684	50 RH SIDE FOLLOWER		01	01	00	00	00	00
07	0521063689	100 LH SIDE FOLLOWER		00	00	01	00	00	00
08	0521062794	100 RH SIDE FOLLOWER		00	00	01	00	00	00
09	0521063708	200 LH SIDE FOLLOWER		00	00	00	01	01	00
10	0521063704	200 RH SIDE FOLLOWER		00	00	00	01	01	00
11	0521063709	300 LH SIDE FOLLOWER		00	00	00	00	00	01
12	0521063705	300 RH SIDE FOLLOWER		00	00	00	00	00	01



Item	Code	Description	See page	12/12-450	12/10-550	12/9-600	12/8-700
01	0511052825	PROTECTION SIDE FINISHING		01	01	00	00
01A	0571013033	FINISHING THE LEFT SIDE FAIRING (50 PMT)		01	01	00	00
01B	0571013032	FINISHING THE RIGHT SIDE FAIRING (50 PMT)		01	01	00	00
01C	0571013251	PROTECTION COUPLING SIDE RIGHT		01	01	00	00
01D	0571013250	PROTECTION COUPLING SIDE LEFT		01	01	00	00
01E	0501011643	3/8 X 1" BOLT		10	10	10	10
01F	0501010984	FLAT WASHER		10	10	10	10
01G	0503013357	3/8" SELF-ADJUSTING NUT		10	10	10	10
02	0511052829	PROTECTION SIDE FINISHING		00	00	01	00
02A	0571012904	FINISHING THE LEFT SIDE FAIRING (125 PMT)		00	00	01	00
02B	0571012903	FINISHING THE RIGHT SIDE FAIRING (125 PMT)		00	00	01	00
02C	0571013269	PROTECTION COUPLING SIDE LEFT		00	00	01	00
02D	0571013268	PROTECTION COUPLING SIDE RIGHT		00	00	01	00
03	0511052826	PROTECTION SIDE FINISHING 75 PMT		00	00	00	01
03A	0571013035	FINISHING THE LEFT SIDE FAIRING 75		00	00	00	01
03B	0571013034	FINISHING THE RIGHT SIDE FAIRING 75		00	00	00	01
03C	0571013252	PROTECTION COUPLING SIDE LEFT		00	00	00	01
03D	0571013253	PROTECTION COUPLING SIDE RIGHT		00	00	00	01
04	0511052835	PROTECTION SIDE FINISHING 275 PMT		00	00	00	00
04A	0571012892	FINISHING THE LEFT SIDE FAIRING (275 PMT)		00	00	00	00
04B	0571012891	FINISHING THE RIGHT SIDE FAIRING (275 PMT)		00	00	00	00
04C	0571013281	PROTECTION COUPLING SIDE LEFT		00	00	00	00
04D	0571013280	PROTECTION COUPLING SIDE RIGHT		00	00	00	00
05	0521063685	50 LH SIDE FOLLOWER		01	01	00	00
06	0521063684	50 RH SIDE FOLLOWER		01	01	00	00
07	0521063691	125 LH SIDE FOLLOWER		00	00	01	00
08	0521063690	125 RH SIDE FOLLOWER		00	00	01	00
09	0521063687	75 LH SIDE FOLLOWER		00	00	00	01
10	0521063686	75 RH SIDE FOLLOWER		00	00	00	01
11	0521063701	275 LH SIDE FOLLOWER		00	00	00	00
12	0521063721	275 RH SIDE FOLLOWER		00	00	00	00



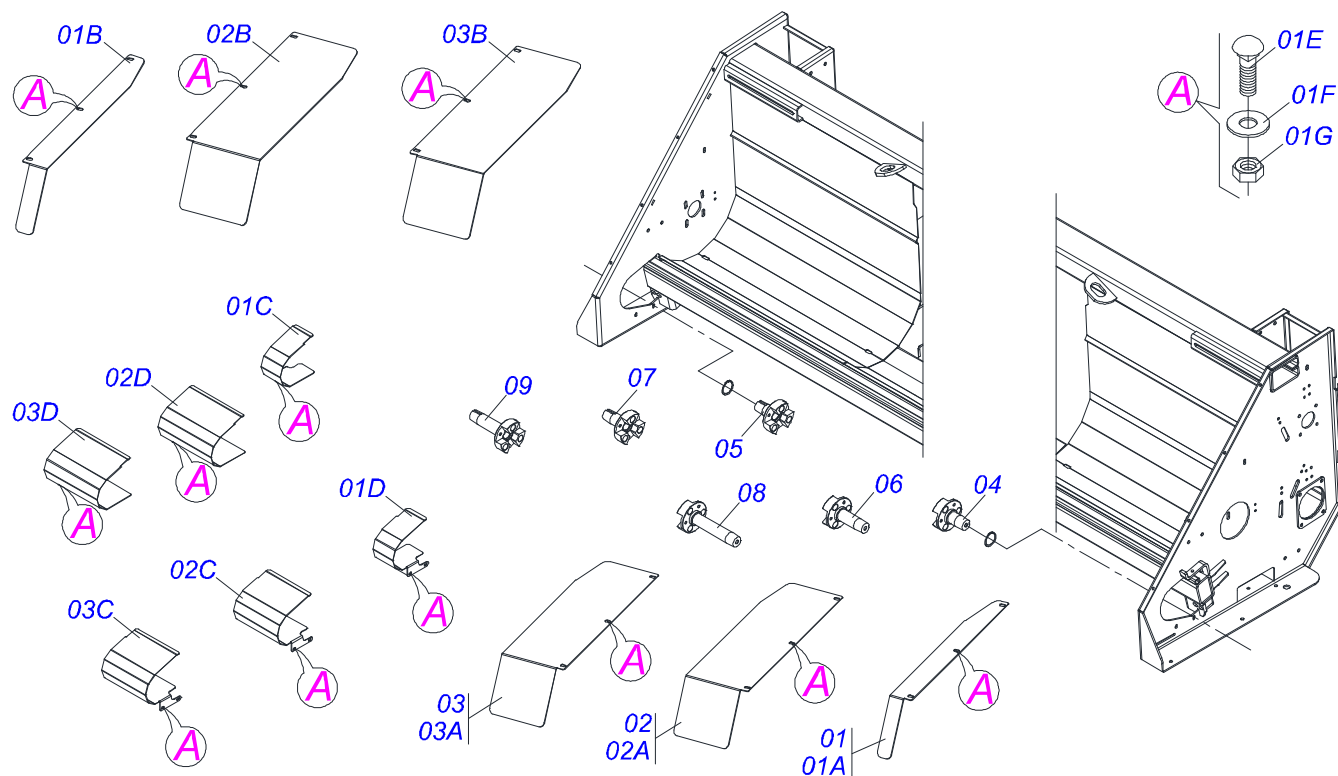
Item	Code	Description	See page	11/11-500	11/100-550	11/9-600	11/8-700
01	0511052825	PROTECTION SIDE FINISHING		01	00	00	00
01A	0571013033	FINISHING THE LEFT SIDE FAIRING (50 PMT)		01	00	00	00
01B	0571013032	FINISHING THE RIGHT SIDE FAIRING (50 PMT)		01	00	00	00
01C	0571013251	PROTECTION COUPLING SIDE RIGHT		01	00	00	00
01D	0571013250	PROTECTION COUPLING SIDE LEFT		01	00	00	00
01E	0501011643	3/8 X 1" BOLT		10	10	10	10
01F	0501010984	FLAT WASHER		10	10	10	10
01G	0503013357	3/8" SELF-ADJUSTING NUT		10	10	10	10
02	0511052826	PROTECTION SIDE FINISHING 75 PMT		00	01	00	00
02A	0571013035	FINISHING THE LEFT SIDE FAIRING 75		00	01	00	00
02B	0571013034	FINISHING THE RIGHT SIDE FAIRING 75		00	01	00	00
02C	0571013252	PROTECTION COUPLING SIDE LEFT		00	01	00	00
02D	0571013253	PROTECTION COUPLING SIDE RIGHT		00	01	00	00
03	0511052830	PROTECTION SIDE FINISHING		00	00	01	00
03A	0571012902	FINISHING THE LEFT SIDE FAIRING (150 PMT)		00	00	01	00
03B	0571012901	FINISHING THE RIGHT SIDE FAIRING (150 PMT)		00	00	01	00
03C	0571013271	PROTECTION COUPLING SIDE LEFT		00	00	01	00
03D	0571013270	PROTECTION COUPLING SIDE RIGHT		00	00	01	00
04	0511052828	PROTECTION SIDE FINISHING 100 PMT		00	00	00	01
04A	0571012906	FINISHING THE LEFT SIDE FAIRING (100 PMT)		00	00	00	01
04B	0571012905	FINISHING THE RIGHT SIDE FAIRING (100 PMT)		00	00	00	01
04C	0571013267	PROTECTION COUPLING SIDE LEFT		00	00	00	01
04D	0571013266	PROTECTION COUPLING SIDE RIGHT		00	00	00	01
05	0511052836	PROTECTION SIDE FINISHING 300 PMT		00	00	00	01
05A	0571012890	FINISHING THE LEFT SIDE FAIRING (300 PMT)		00	00	00	01
05B	0571012889	FINISHING THE RIGHT SIDE FAIRING (300 PMT)		00	00	00	01
05C	0571013283	PROTECTION COUPLING SIDE LEFT		00	00	00	01
05D	0571013282	PROTECTION COUPLING SIDE RIGHT		00	00	00	01
06	0521063685	50 LH SIDE FOLLOWER		01	00	00	00
07	0521063684	50 RH SIDE FOLLOWER		01	00	00	00
08	0521063687	75 LH SIDE FOLLOWER		00	01	00	00



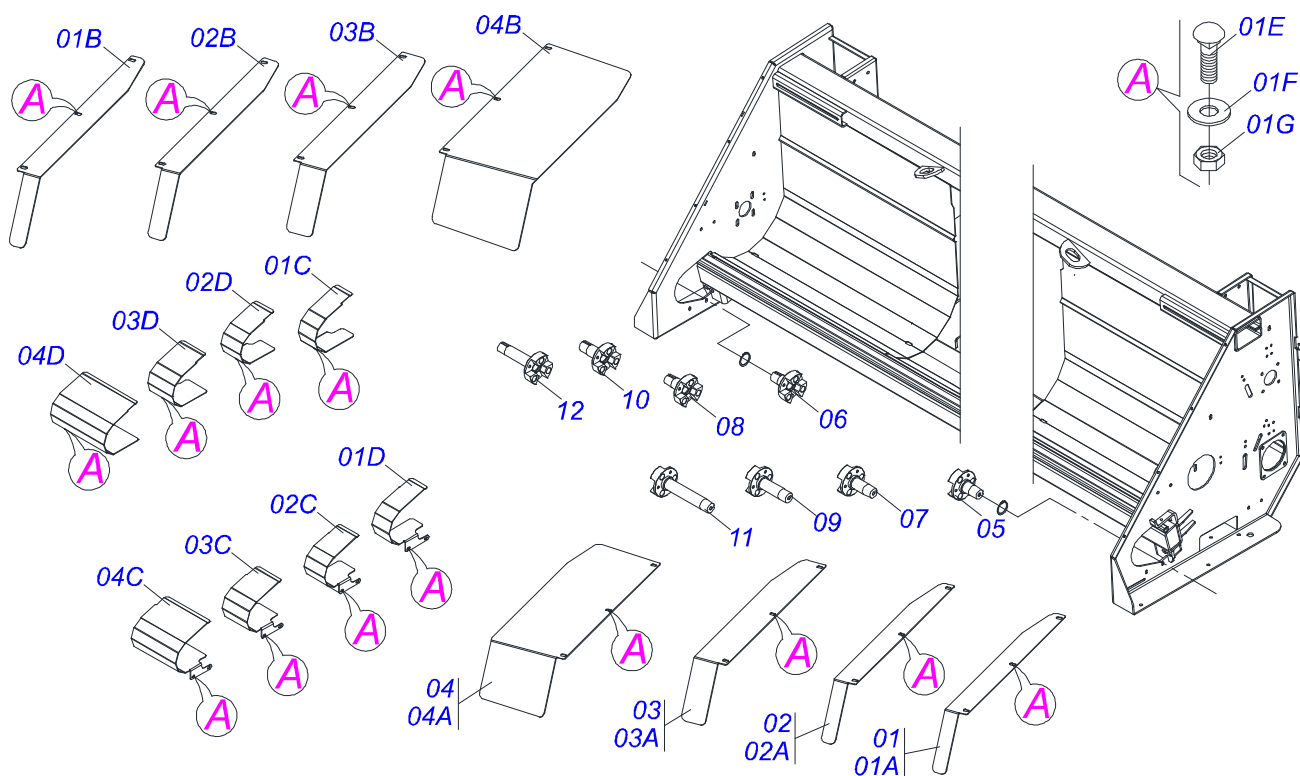
PMT 04/07/08/09/10/11/12 LINES
FOLLOWER SIDE PROTECTION 5550

Page 19
0909094525

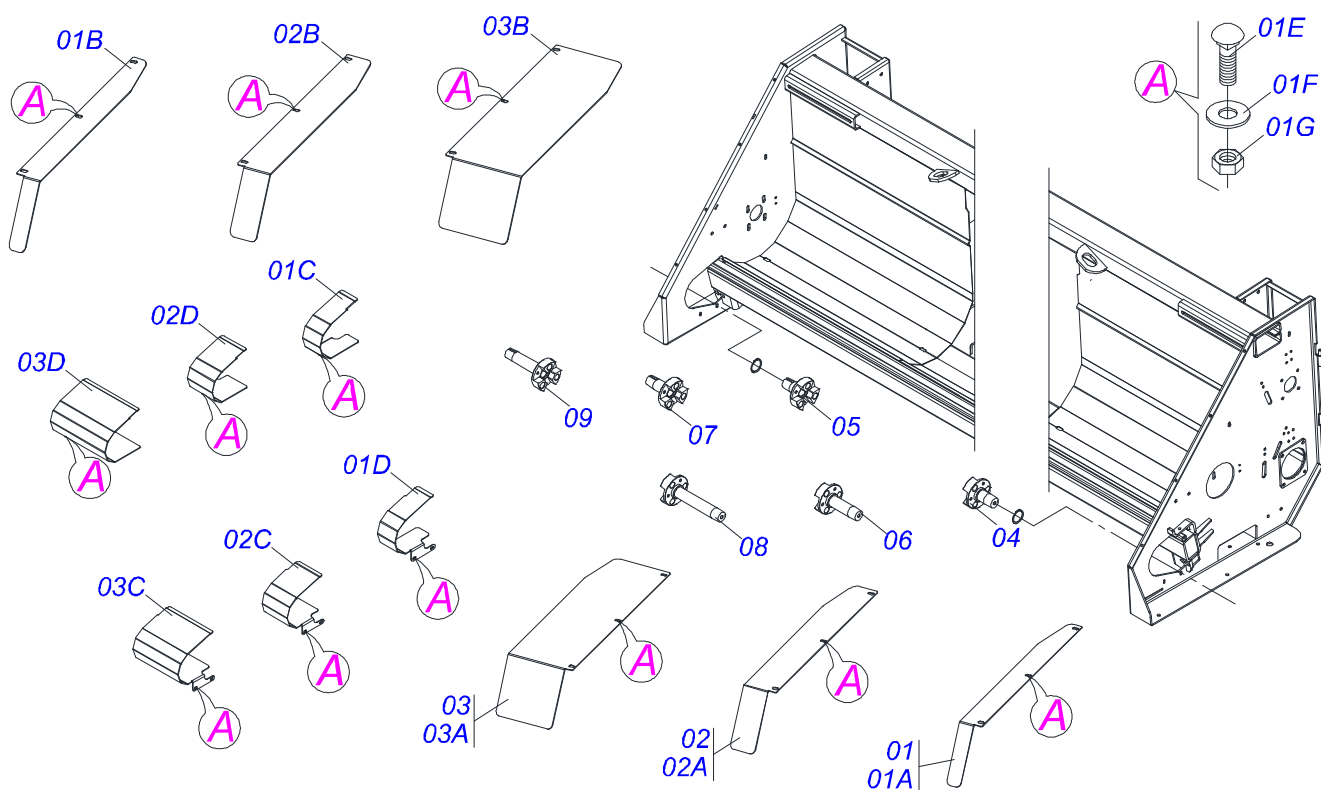
Item	Code	Description	See page	11/11-500	11/100-550	11/9-600	11/8-700		
09	0521063686	75 RH SIDE FOLLOWER		00	01	00	00	00	
10	0521063694	150 RH SIDE FOLLOWER		00	00	01	00	00	01
11	0521063695	150 LH SIDE FOLLOWER		00	00	01	00	00	01
12	0521063689	100 LH SIDE FOLLOWER		00	00	00	01	00	00
13	0521062794	100 RH SIDE FOLLOWER		00	00	00	01	00	00
14	0521063709	300 LH SIDE FOLLOWER		00	00	00	00	01	00
15	0521063705	300 RH SIDE FOLLOWER		00	00	00	00	01	00



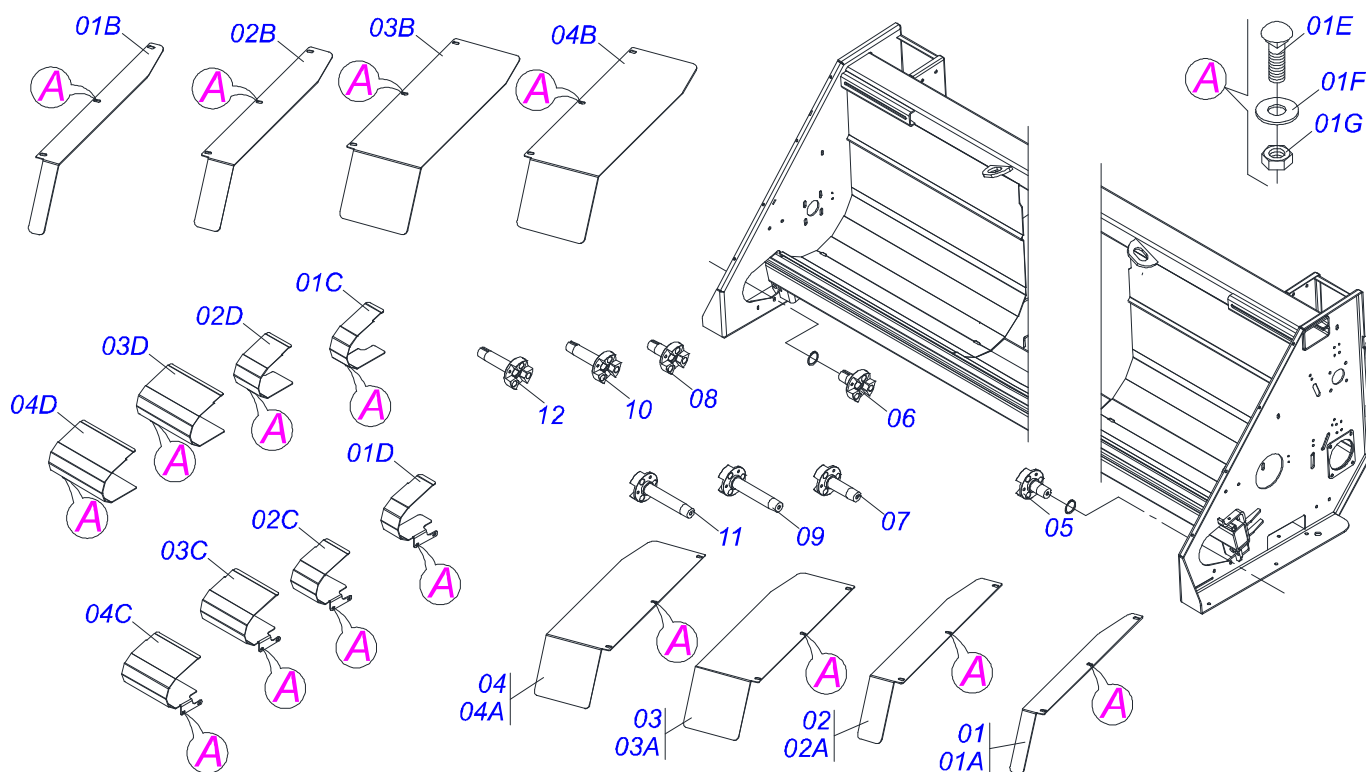
Item	Code	Description	See page	13/450	10/600	8/700	7/800	7/900
01	0511052825	PROTECTION SIDE FINISHING		01	01	00	00	01
01A	0571013033	FINISHING THE LEFT SIDE FAIRING (50 PMT)		01	01	00	00	01
01B	0571013032	FINISHING THE RIGHT SIDE FAIRING (50 PMT)		01	01	00	00	01
01C	0571013251	PROTECTION COUPLING SIDE RIGHT		01	01	00	00	01
01D	0571013250	PROTECTION COUPLING SIDE LEFT		01	01	00	00	01
01E	0501011643	3/8 X 1" BOLT		10	10	10	10	10
01F	0501010984	FLAT WASHER		10	10	10	10	10
01G	0503013357	3/8" SELF-ADJUSTING NUT		10	10	10	10	10
02	0511052836	PROTECTION SIDE FINISHING 300 PMT		00	00	01	00	00
02A	0571012890	FINISHING THE LEFT SIDE FAIRING (300 PMT)		00	00	01	00	00
02B	0571012889	FINISHING THE RIGHT SIDE FAIRING (300 PMT)		00	00	01	00	00
02C	0571013283	PROTECTION COUPLING SIDE LEFT		00	00	01	00	00
02D	0571013282	PROTECTION COUPLING SIDE RIGHT		00	00	01	00	00
03	0511052837	PROTECTION SIDE FINISHING		00	00	00	01	00
03A	0571012888	FINISHING THE LEFT SIDE FAIRING (350 PMT)		00	00	00	01	00
03B	0571012887	FINISHING THE RIGHT SIDE FAIRING (350 PMT)		00	00	00	01	00
03C	0571013288	PROTECTION COUPLING SIDE LEFT		00	00	00	01	00
03D	0571013287	PROTECTION COUPLING SIDE RIGHT		00	00	00	01	00
04	0521063685	50 LH SIDE FOLLOWER		01	01	00	00	01
05	0521063684	50 RH SIDE FOLLOWER		01	01	00	00	01
06	0521063709	300 LH SIDE FOLLOWER		00	00	01	00	00
07	0521063705	300 RH SIDE FOLLOWER		00	00	01	00	00
08	0521063700	350 LH SIDE FOLLOWER		00	00	00	01	00
09	0521063706	350 RH SIDE FOLLOWER		00	00	00	01	00



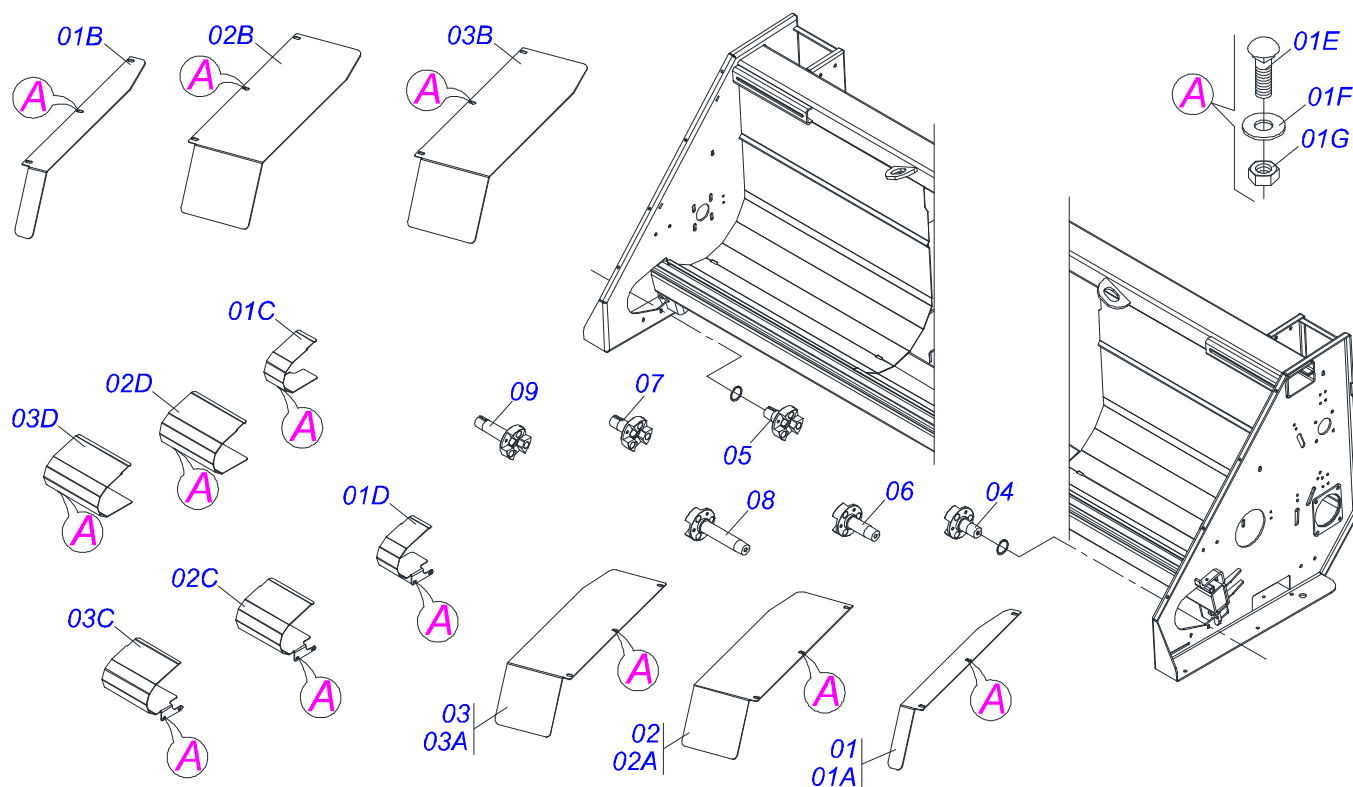
Item	Code	Description	See page	12/500	11/550	10/600	8/750	7/800	7/900
01	0511052825	PROTECTION SIDE FINISHING		00	01	00	00	00	00
01A	0571013033	FINISHING THE LEFT SIDE FAIRING (50 PMT)		00	01	00	00	00	00
01B	0571013032	FINISHING THE RIGHT SIDE FAIRING (50 PMT)		00	01	00	00	00	00
01C	0571013251	PROTECTION COUPLING SIDE RIGHT		00	01	00	00	00	00
01D	0571013250	PROTECTION COUPLING SIDE LEFT		00	01	00	00	00	00
01E	0501011643	3/8 X 1" BOLT		10	10	10	10	10	10
01F	0501010984	FLAT WASHER		10	10	10	10	10	10
01G	0503013357	3/8" SELF-ADJUSTING NUT		10	10	10	10	10	10
02	0511052828	PROTECTION SIDE FINISHING 100 PMT		01	00	01	00	00	01
02A	0571012906	FINISHING THE LEFT SIDE FAIRING (100 PMT)		01	00	01	00	00	01
02B	0571012905	FINISHING THE RIGHT SIDE FAIRING (100 PMT)		01	00	01	00	00	01
02C	0571013267	PROTECTION COUPLING SIDE LEFT		01	00	01	00	00	01
02D	0571013266	PROTECTION COUPLING SIDE RIGHT		01	00	01	00	00	01
03	0511052831	PROTECTION SIDE FINISHING 175 PMT		00	00	00	01	00	00
03A	0571012900	FINISHING THE LEFT SIDE FAIRING (175 PMT)		00	00	00	01	00	00
03B	0571012899	FINISHING THE RIGHT SIDE FAIRING (175 PMT)		00	00	00	01	00	00
03C	0571013273	PROTECTION COUPLING SIDE LEFT		00	00	00	01	00	00
03D	0571013272	PROTECTION COUPLING SIDE RIGHT		00	00	00	01	00	00
04	0511052839	PROTECTION SIDE FINISHING		00	00	00	00	01	00
04A	0571012884	FINISHING THE LEFT SIDE FAIRING (400 PMT)		00	00	00	00	01	00
04B	0571012883	FINISHING THE RIGHT SIDE FAIRING (400 PMT)		00	00	00	00	01	00
04C	0571013292	PROTECTION COUPLING SIDE LEFT		00	00	00	00	01	00
04D	0571013291	PROTECTION COUPLING SIDE RIGHT		00	00	00	00	01	00
05	0521063685	50 LH SIDE FOLLOWER		00	01	00	00	00	00
06	0521063684	50 RH SIDE FOLLOWER		00	01	00	00	00	00
07	0521063689	100 LH SIDE FOLLOWER		01	00	01	00	00	01
08	0521062794	100 RH SIDE FOLLOWER		01	00	01	00	00	01
09	0521063703	175 LH SIDE FOLLOWER		00	00	00	01	00	00
10	0521063702	175 RH SIDE FOLLOWER		00	00	00	01	00	00
11	0521063711	400 LH SIDE FOLLOWER		00	00	00	00	01	00
12	0521063707	400 RH SIDE FOLLOWER		00	00	00	00	01	00



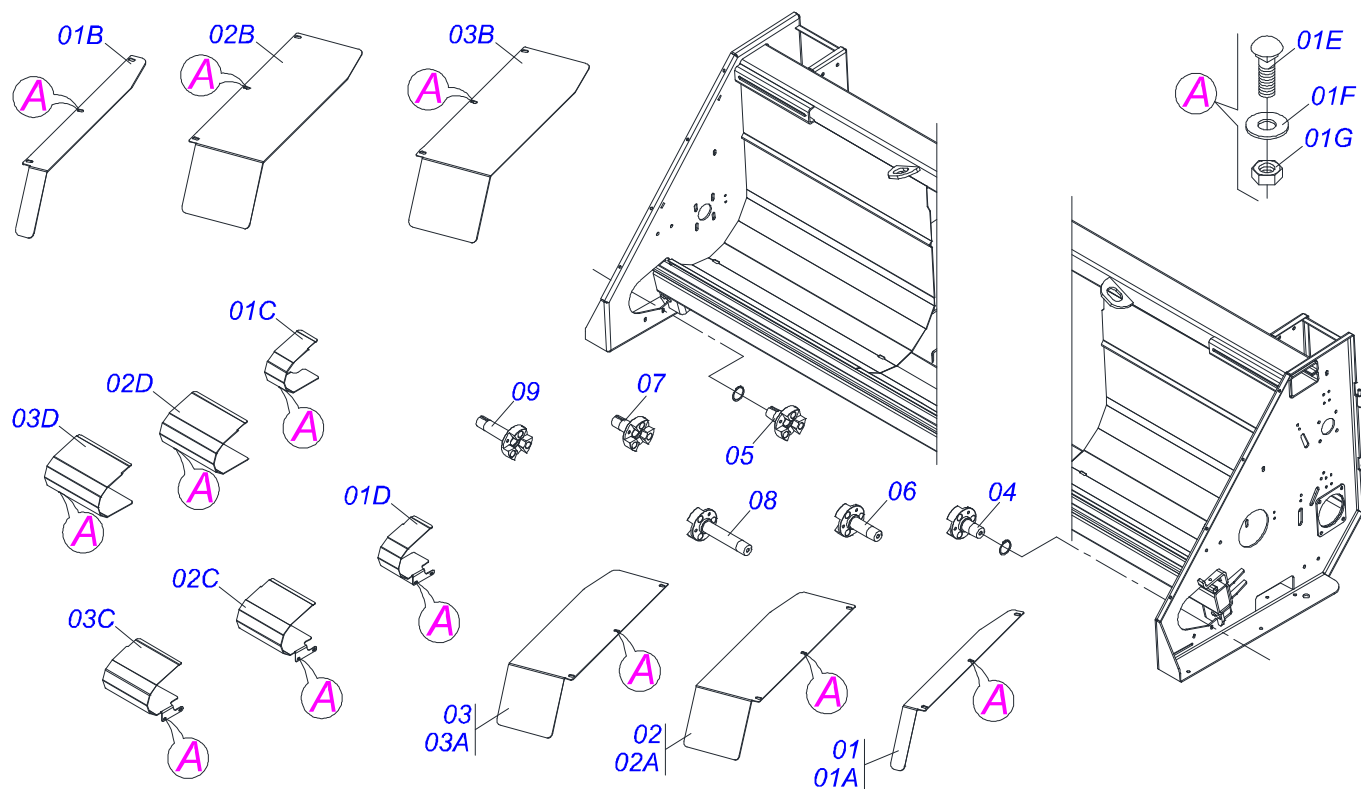
Item	Code	Description	See page	14/450	9/700	8/800	7/900
01	0511052825	PROTECTION SIDE FINISHING		01	00	00	00
01A	0571013033	FINISHING THE LEFT SIDE FAIRING (50 PMT)		01	00	00	00
01B	0571013032	FINISHING THE RIGHT SIDE FAIRING (50 PMT)		01	00	00	00
01C	0571013251	PROTECTION COUPLING SIDE RIGHT		01	00	00	00
01D	0571013250	PROTECTION COUPLING SIDE LEFT		01	00	00	00
01E	0501011643	3/8 X 1" BOLT		10	10	10	10
01F	0501010984	FLAT WASHER		10	10	10	10
01G	0503013357	3/8" SELF-ADJUSTING NUT		10	10	10	10
02	0511052831	PROTECTION SIDE FINISHING 175 PMT		00	01	01	00
02A	0571012900	FINISHING THE LEFT SIDE FAIRING (175 PMT)		00	01	01	00
02B	0571012899	FINISHING THE RIGHT SIDE FAIRING (175 PMT)		00	01	01	00
02C	0571013273	PROTECTION COUPLING SIDE LEFT		00	01	01	00
02D	0571013272	PROTECTION COUPLING SIDE RIGHT		00	01	01	00
03	0511052835	PROTECTION SIDE FINISHING 275 PMT		00	00	00	01
03A	0571012892	FINISHING THE LEFT SIDE FAIRING (275 PMT)		00	00	00	01
03B	0571012891	FINISHING THE RIGHT SIDE FAIRING (275 PMT)		00	00	00	01
03C	0571013281	PROTECTION COUPLING SIDE LEFT		00	00	00	01
03D	0571013280	PROTECTION COUPLING SIDE RIGHT		00	00	00	01
04	0521063685	50 LH SIDE FOLLOWER		01	00	00	00
05	0521063684	50 RH SIDE FOLLOWER		01	00	00	00
06	0521063703	175 LH SIDE FOLLOWER		00	01	01	00
07	0521063702	175 RH SIDE FOLLOWER		00	01	01	00
08	0521063701	275 LH SIDE FOLLOWER		00	00	00	01
09	0521063721	275 RH SIDE FOLLOWER		00	00	00	01



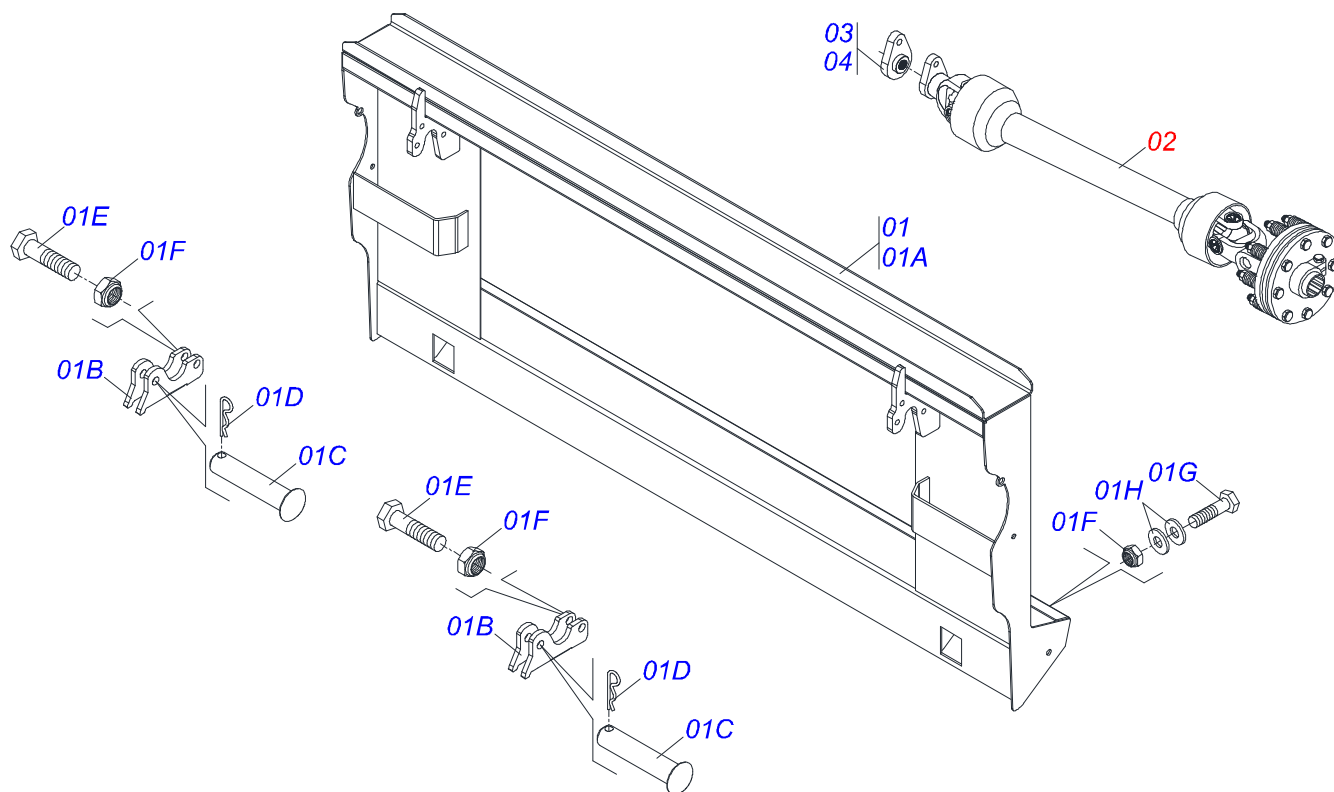
Item	Code	Description	See page	13/500	12/550	11/600	9/700	8/800	7/900
01	0511052825	PROTECTION SIDE FINISHING		00	01	00	00	00	00
01A	0571013033	FINISHING THE LEFT SIDE FAIRING (50 PMT)		00	01	00	00	00	00
01B	0571013032	FINISHING THE RIGHT SIDE FAIRING (50 PMT)		00	01	00	00	00	00
01C	0571013251	PROTECTION COUPLING SIDE RIGHT		00	01	00	00	00	00
01D	0571013250	PROTECTION COUPLING SIDE LEFT		00	01	00	00	00	00
01E	0501011643	3/8 X 1" BOLT		10	10	10	10	10	10
01F	0501010984	FLAT WASHER		10	10	10	10	10	10
01G	0503013357	3/8" SELF-ADJUSTING NUT		10	10	10	10	10	10
02	0511052826	PROTECTION SIDE FINISHING 75 PMT		01	00	01	00	00	00
02A	0571013035	FINISHING THE LEFT SIDE FAIRING 75		01	00	01	00	00	00
02B	0571013034	FINISHING THE RIGHT SIDE FAIRING 75		01	00	01	00	00	00
02C	0571013252	PROTECTION COUPLING SIDE LEFT		01	00	01	00	00	00
02D	0571013253	PROTECTION COUPLING SIDE RIGHT		01	00	01	00	00	00
03	0511052835	PROTECTION SIDE FINISHING 275 PMT		00	00	00	01	01	00
03A	0571012892	FINISHING THE LEFT SIDE FAIRING (275 PMT)		00	00	00	01	01	00
03B	0571012892	FINISHING THE LEFT SIDE FAIRING (275 PMT)		00	00	00	01	01	00
03C	0571013281	PROTECTION COUPLING SIDE LEFT		00	00	00	01	01	00
03D	0571013280	PROTECTION COUPLING SIDE RIGHT		00	00	00	01	01	00
04	0511052838	PROTECTION SIDE FINISHING 375 PMT		00	00	00	00	00	01
04A	0571012886	FINISHING THE LEFT SIDE FAIRING (375 PMT)		00	00	00	00	00	01
04B	0571012885	FINISHING THE RIGHT SIDE FAIRING (375 PMT)		00	00	00	00	00	01
04C	0571013290	PROTECTION COUPLING SIDE LEFT		00	00	00	00	00	01
04D	0571013289	PROTECTION COUPLING SIDE RIGHT		00	00	00	00	00	01
05	0521063685	50 LH SIDE FOLLOWER		00	01	00	00	00	00
06	0521063684	50 RH SIDE FOLLOWER		00	01	00	00	00	00
07	0521063687	75 LH SIDE FOLLOWER		01	00	01	00	00	00
08	0521063686	75 RH SIDE FOLLOWER		01	00	01	00	00	00
09	0521063701	275 LH SIDE FOLLOWER		00	00	00	01	01	00
10	0521063721	275 RH SIDE FOLLOWER		00	00	00	01	01	00
11	0521063710	375 LH SIDE FOLLOWER		00	00	00	00	00	01
12	0521063722	375 RH SIDE FOLLOWER		00	00	00	00	00	01



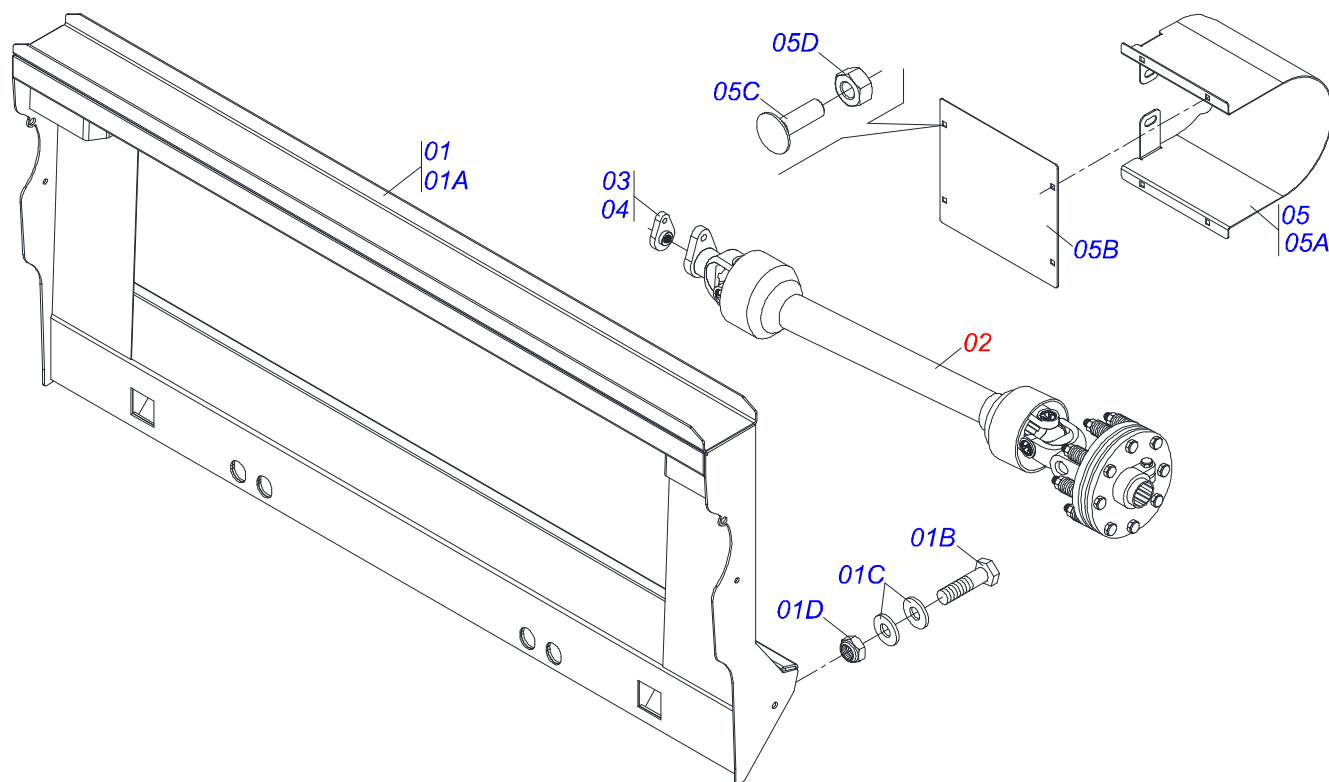
Item	Code	Description	See page	15/450	11/600	10/700	8/800	8/900
01	0511052825	PROTECTION SIDE FINISHING		01	00	01	00	01
01A	0571013033	FINISHING THE LEFT SIDE FAIRING (50 PMT)		01	00	01	00	01
01B	0571013032	FINISHING THE RIGHT SIDE FAIRING (50 PMT)		01	00	01	00	01
01C	0571013251	PROTECTION COUPLING SIDE RIGHT		01	00	01	00	01
01D	0571013250	PROTECTION COUPLING SIDE LEFT		01	00	01	00	01
01E	0501011642	3/8" X 1" BOLT		10	10	10	10	10
01F	0501010984	FLAT WASHER		10	10	10	10	10
01G	0503013357	3/8" SELF-ADJUSTING NUT		10	10	10	10	10
02	0511052832	PROTECTION SIDE FINISHING		00	01	00	00	00
02A	0571012898	FINISHING THE LEFT SIDE FAIRING (200 PMT)		00	01	00	00	00
02B	0571012897	FINISHING THE RIGHT SIDE FAIRING (200 PMT)		00	01	00	00	00
02C	0571013275	PROTECTION COUPLING SIDE LEFT		00	01	00	00	00
02D	0571013274	PROTECTION COUPLING SIDE RIGHT		00	01	00	00	00
03	0511052839	PROTECTION SIDE FINISHING		00	00	00	01	00
03A	0571012884	FINISHING THE LEFT SIDE FAIRING (400 PMT)		00	00	00	01	00
03B	0571012883	FINISHING THE RIGHT SIDE FAIRING (400 PMT)		00	00	00	01	00
03C	0571013292	PROTECTION COUPLING SIDE LEFT		00	00	00	01	00
03D	0571013291	PROTECTION COUPLING SIDE RIGHT		00	00	00	01	00
04	0521063685	50 LH SIDE FOLLOWER		01	00	01	00	01
05	0521063684	50 RH SIDE FOLLOWER		01	00	01	00	01
06	0521063708	200 LH SIDE FOLLOWER		00	01	00	00	00
07	0521063704	200 RH SIDE FOLLOWER		00	01	00	00	00
08	0521063711	400 LH SIDE FOLLOWER		00	00	00	01	00
09	0521063707	400 RH SIDE FOLLOWER		00	00	00	01	00



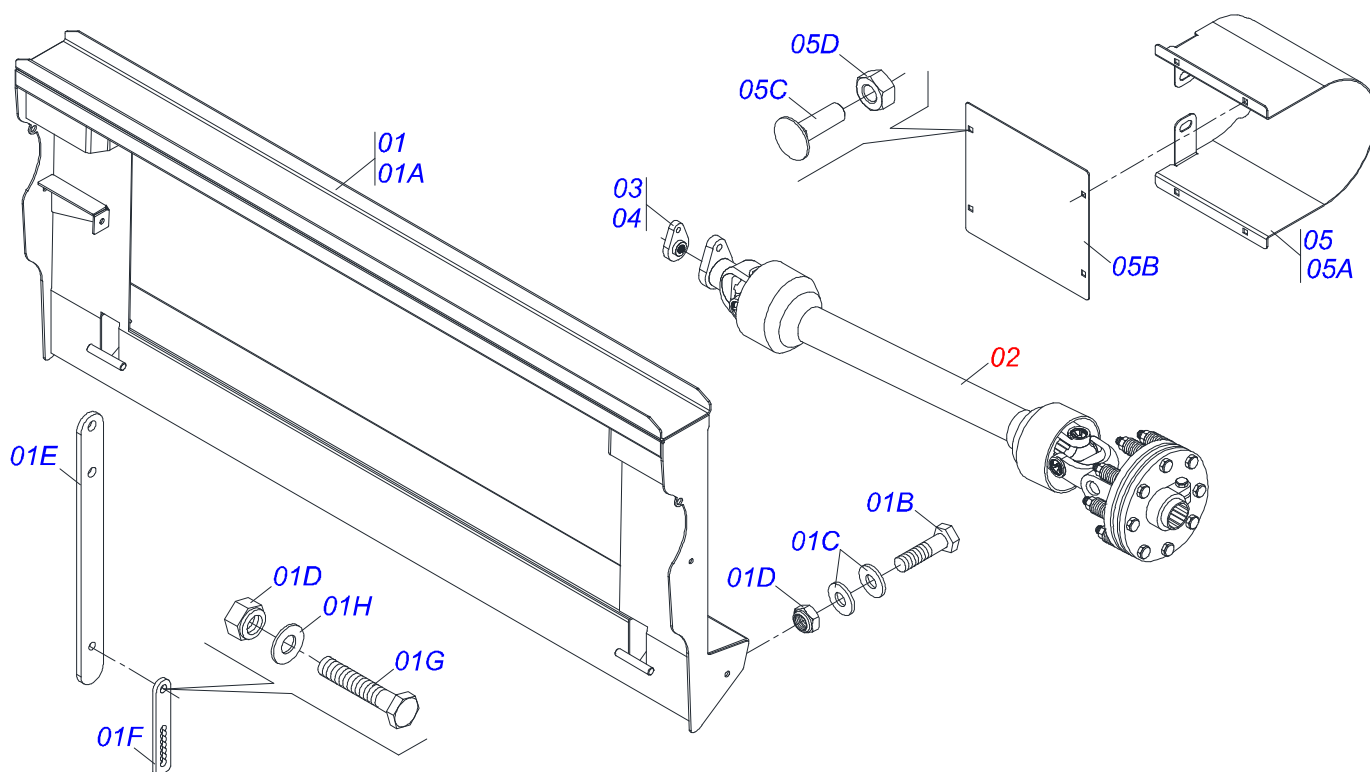
Item	Code	Description	See page	14/450	9/700	8/800	7/900
01	0511052825	PROTECTION SIDE FINISHING		01	01	00	00
01A	0571013033	FINISHING THE LEFT SIDE FAIRING (50 PMT)		01	01	00	00
01B	0571013032	FINISHING THE RIGHT SIDE FAIRING (50 PMT)		01	01	00	00
01C	0571013251	PROTECTION COUPLING SIDE RIGHT		01	01	00	00
01D	0571013250	PROTECTION COUPLING SIDE LEFT		01	01	00	00
01E	0501011643	3/8 X 1" BOLT		10	10	10	10
01F	0501010984	FLAT WASHER		10	10	10	10
01G	0503013357	3/8" SELF-ADJUSTING NUT		10	10	10	10
02	0511052837	PROTECTION SIDE FINISHING		00	00	01	00
02A	0571012888	FINISHING THE LEFT SIDE FAIRING (350 PMT)		00	00	01	00
02B	0571012887	FINISHING THE RIGHT SIDE FAIRING (350 PMT)		00	00	01	00
02C	0571013288	PROTECTION COUPLING SIDE LEFT		00	00	01	00
02D	0571013287	PROTECTION COUPLING SIDE RIGHT		00	00	01	00
03	0511052839	PROTECTION SIDE FINISHING		00	00	00	01
03A	0571012884	FINISHING THE LEFT SIDE FAIRING (400 PMT)		00	00	00	01
03B	0571012883	FINISHING THE RIGHT SIDE FAIRING (400 PMT)		00	00	00	01
03C	0571013292	PROTECTION COUPLING SIDE LEFT		00	00	00	01
03D	0571013291	PROTECTION COUPLING SIDE RIGHT		00	00	00	01
04	0521063685	50 LH SIDE FOLLOWER		01	01	00	00
05	0521063684	50 RH SIDE FOLLOWER		01	01	00	00
06	0521063700	350 LH SIDE FOLLOWER		00	00	01	00
07	0521063706	350 RH SIDE FOLLOWER		00	00	01	00
08	0521063707	400 RH SIDE FOLLOWER		00	00	00	01
09	0521063711	400 LH SIDE FOLLOWER		00	00	00	01



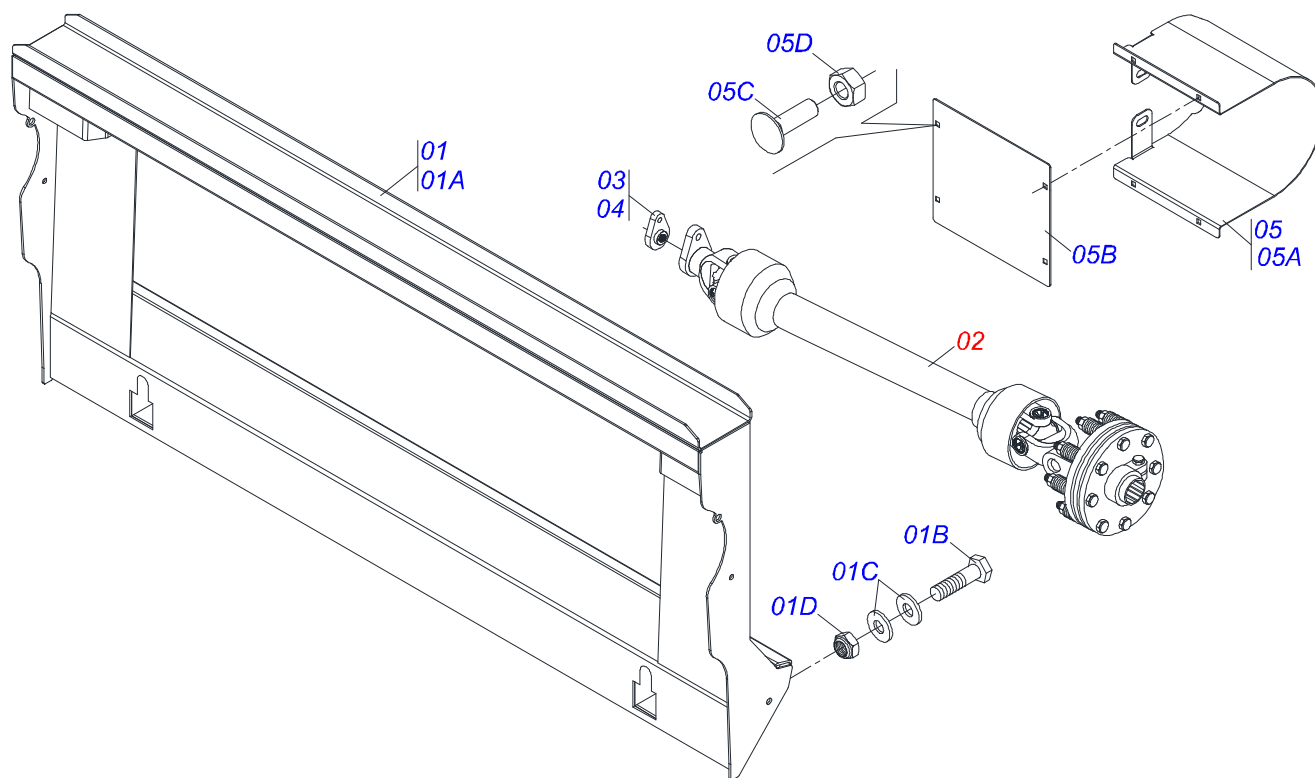
Item	Code	Description	See page	QT
01	0511053183	COUPLING (MF 3640/5650 ATE 12/1999)		01
01A	0521060265	COUPLING (PMT HARVESTER MF3640/5650) ASSY		01
01B	0521060755	COUPLING FIXER		02
01C	0521010549	COUPLING SHAFT		02
01D	0503030168	CUPILLA		02
01E	0503010740	BOLT 1/2 UNC X 2 CS G.5 ZN		02
01F	0503011336	1/2" HEX SELF ADJUSTING NUT		10
01G	0503010395	1/2" X 1-1/4" BOLT		08
01H	0511017302	FLAT WASHER		16
02	0501059170	DRIVE SHAFT	36	01
03	0501058860	POINT		01
04	0511047765	POINT KIT		01



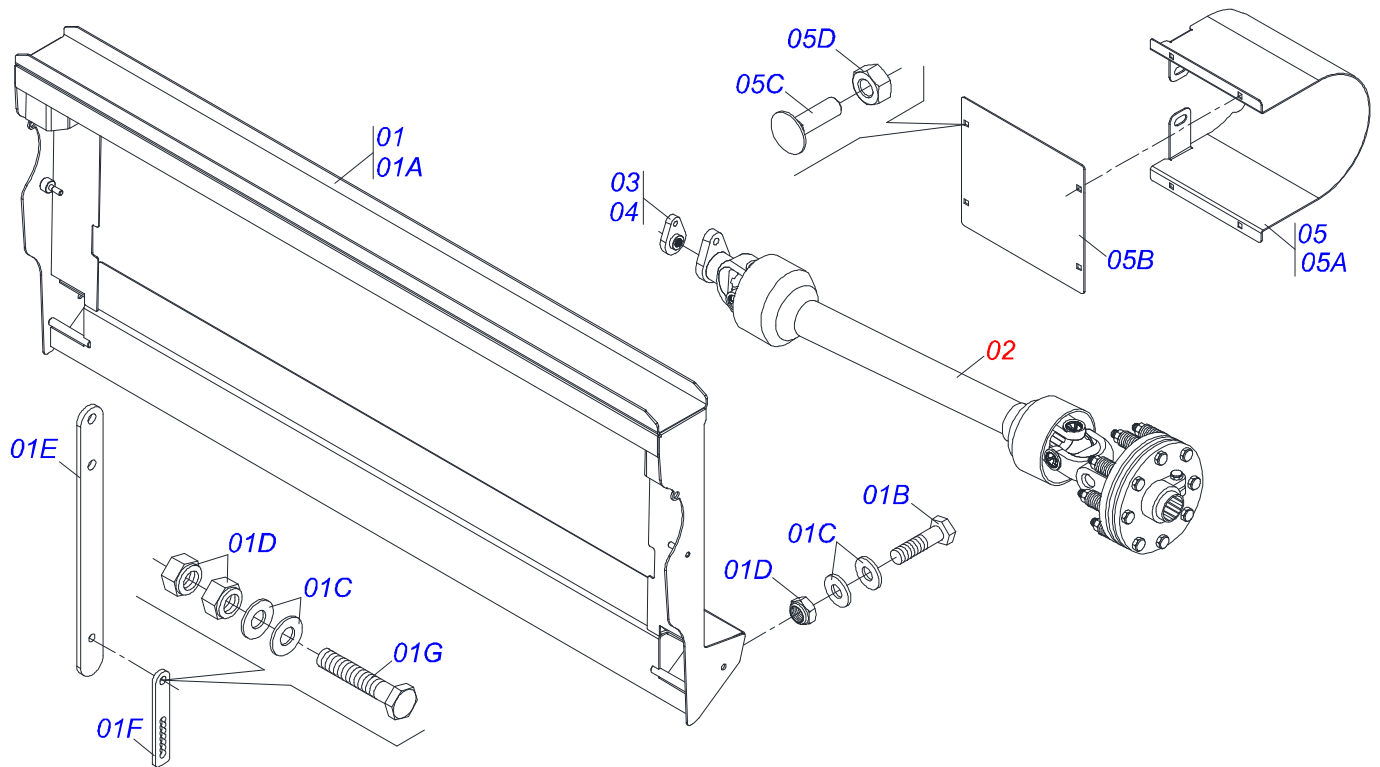
Item	Code	Description	See page	QT
01	0511052290	COUPLING (PMT MF 32/34/38/3640/5650 ADV)		01
01A	0521060269	COUPLING PMT MF 32/34/38/3640/5650 ADV		01
01B	0503010395	1/2" X 1-1/4" BOLT		08
01C	0511017302	FLAT WASHER		16
01D	0503011336	1/2" HEX SELF ADJUSTING NUT		08
02	0501059170	DRIVE SHAFT	36	02
03	0501058860	POINT		02
04	0511047765	POINT KIT		02
05	0511052139	PROTECTION COVER CARDAN		01
05A	0561014871	PROTECTION CARDAN PMT S-06009		01
05B	0561014869	PROTECTIVE COVER		01
05C	0503011952	5/16" X 3/4" BOLT		04
05D	0503013816	5/16" LOCKNUT		04



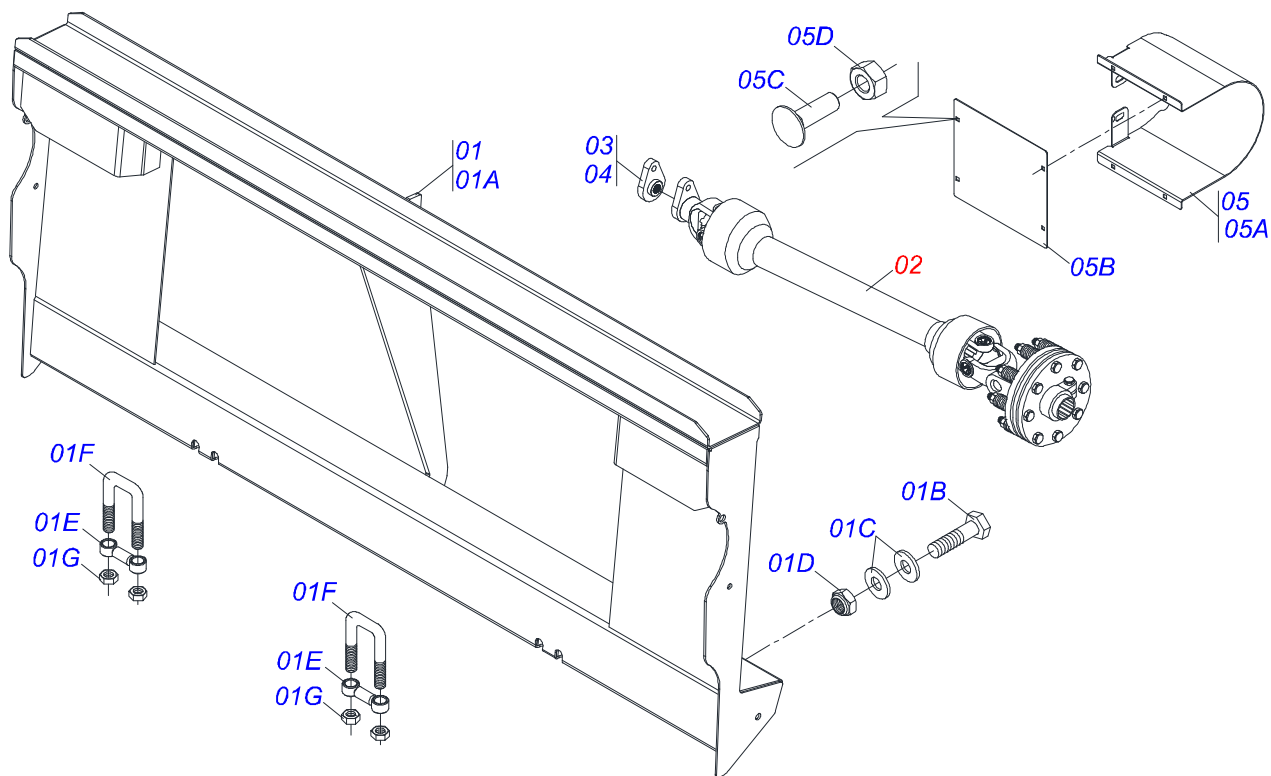
Item	Code	Description	See page	QT
01	0511052274	COUPLING (PMT NH TC55/57)ASSY		01
01A	0521060282	COUPLING (PMT COLHEIT NH TC55/57)		01
01B	0503010395	1/2" X 1-1/4" BOLT		08
01C	0511017302	FLAT WASHER		16
01D	0503011336	1/2" HEX SELF ADJUSTING NUT		10
01E	0561012852	LOCK LEVER		01
01F	0561013244	PLATFORM LOCK		01
01G	0503010920	1/2" X 1.1/2" BOLT		01
01H	0501010937	13.5 X 28 X 3 FLAT WASHER		02
02	0511047824	DRIVE SHAFT	41	01
03	0501058860	POINT		01
04	0511047765	POINT KIT		01
05	0511052139	PROTECTION COVER CARDAN		01
05A	0561014871	PROTECTION CARDAN PMT S-06009		01
05B	0561014869	PROTECTIVE COVER		01
05C	0503011952	5/16" X 3/4" BOLT		04
05D	0503013816	5/16" LOCKNUT		04



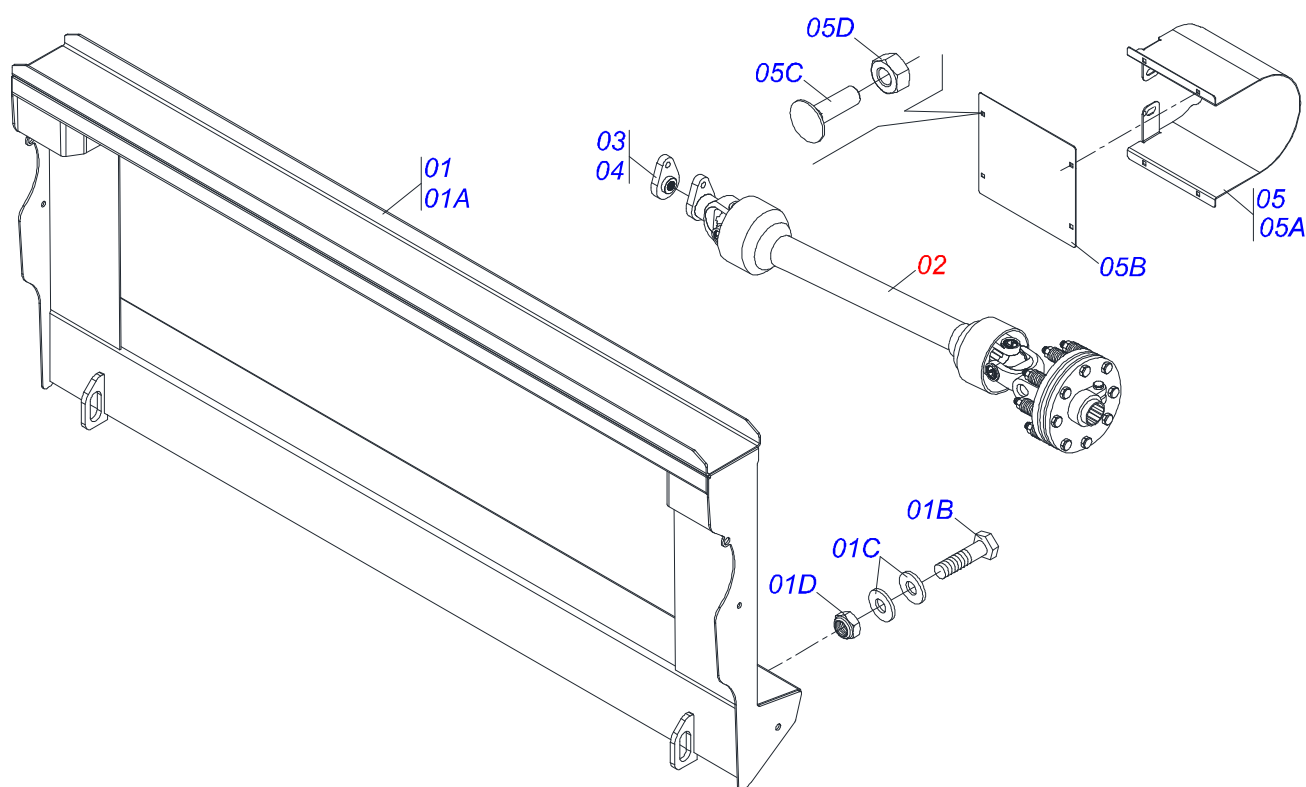
Item	Code	Description	See page	QT
01	0511052974	COUPLING (PMT NH5050/8055)ASSY		01
01A	0521060274	COUPLING (PMT NH4040/5050/8040/8055)ASSY		01
01B	0503010395	1/2" X 1-1/4" BOLT		08
01C	0511017302	FLAT WASHER		16
01D	0503011336	1/2" HEX SELF ADJUSTING NUT		08
02	0501059170	DRIVE SHAFT	36	01
03	0501058860	POINT		01
04	0511047765	POINT KIT		01
05	0511052139	PROTECTION COVER CARDAN		01
05A	0561014871	PROTECTION CARDAN PMT S-06009		01
05B	0561014869	PROTECTIVE COVER		01
05C	0503011952	5/16" X 3/4" BOLT		04
05D	0503013816	5/16" LOCKNUT		04



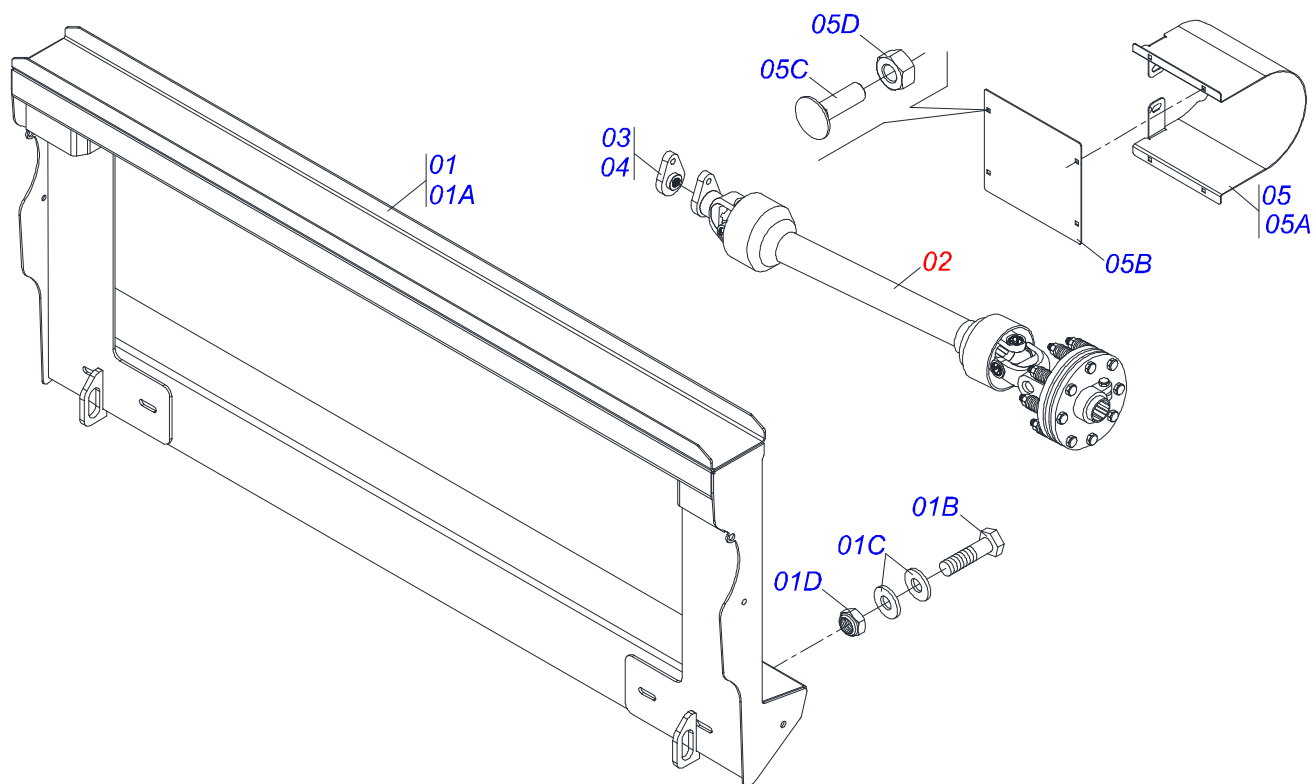
Item	Code	Description	See page	QT
01	0511052223	COUPLING (PMT NH CR 9060) ASSY		01
01A	0521060283	COUPLING NH TC59/5090/CR9060/5070		01
01B	0503010395	1/2" X 1-1/4" BOLT		08
01C	0511017302	FLAT WASHER		18
01D	0503011336	1/2" HEX SELF ADJUSTING NUT		10
01E	0561012852	LOCK LEVER		01
01F	0561013244	PLATFORM LOCK		01
01G	0503010920	1/2" X 1.1/2" BOLT		01
02	0501059170	DRIVE SHAFT	36	02
03	0501058860	POINT		02
04	0511047765	POINT KIT		02
05	0511052139	PROTETION COVER CARDAN		01
05A	0561014871	PROTECTION CARDAN PMT S-06009		02
05B	0561014869	PROTECTIVE COVER		02
05C	0503011953	5/16" X 1" BOLT		08
05D	0503013816	5/16" LOCKNUT		08



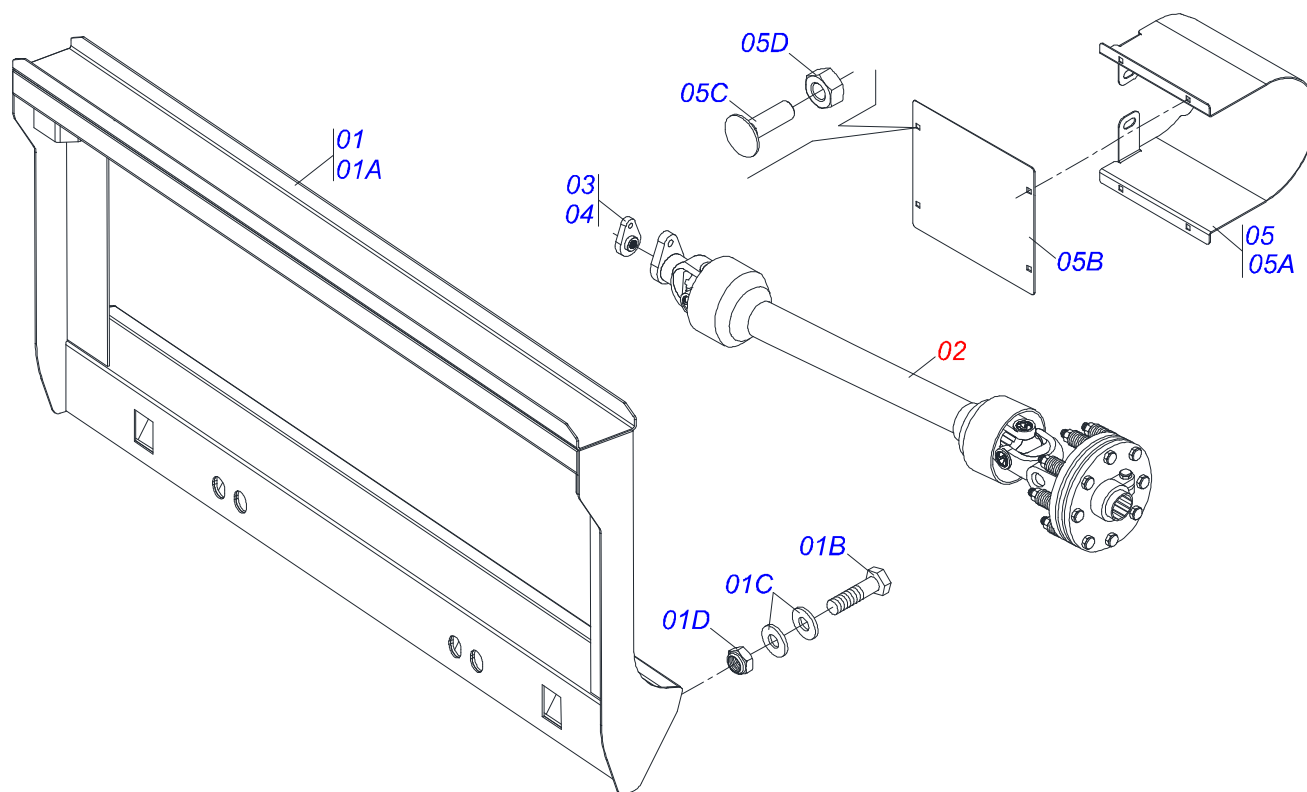
Item	Code	Description	See page	QT
01	0511052138	COUPLING (PMT CASE 2388 COMPL)		01
01A	0521060298	COUPLING (PMT CASE 2166/2366/2188/2388)		01
01B	0503010395	1/2" X 1-1/4" BOLT		08
01C	0511017302	FLAT WASHER		16
01D	0503011336	1/2" HEX SELF ADJUSTING NUT		08
01E	0521061068	FIXER COUPLING		02
01F	0561014315	59 X 90 X 5/8 FASTENER		02
01G	0503010129	5/8" NUT		02
02	0501059170	DRIVE SHAFT	36	02
03	0501058862	POINT		02
04	0511047765	POINT KIT		02
05	0511052139	PROTECTION COVER CARDAN		01
05A	0561014871	PROTECTION CARDAN PMT S-06009		02
05B	0561014869	PROTECTIVE COVER		02
05C	0503011953	5/16" X 1" BOLT		08
05D	0503013816	5/16" LOCKNUT		08



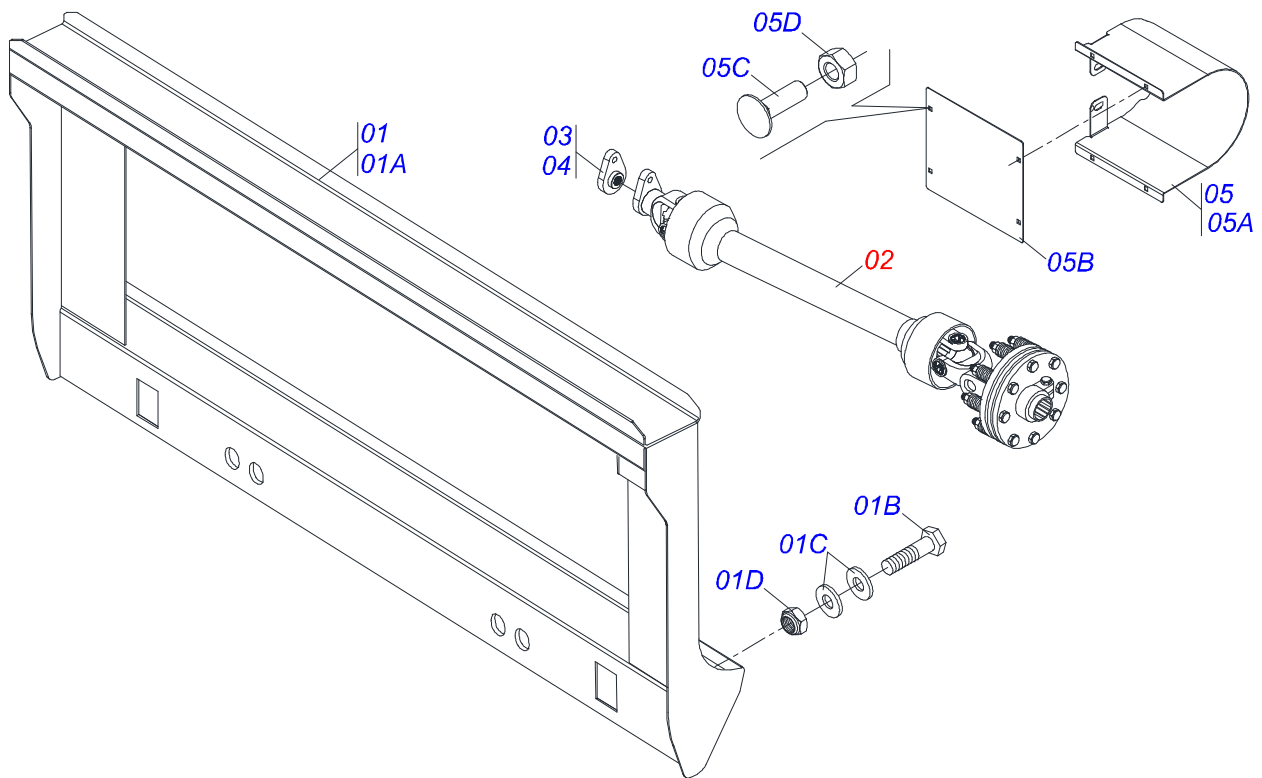
Item	Code	Description	See page	QT
01	0511052275	COUPLING (PMT JD 1165/7500 COMPL)		01
01A	0521060653	COUPLING (PMT HARVESTER JD 1165/7500) ASSY		01
01B	0503010395	1/2" X 1-1/4" BOLT		08
01C	0511017302	FLAT WASHER		16
01D	0503011336	1/2" HEX SELF ADJUSTING NUT		08
02	0501059170	DRIVE SHAFT	36	02
03	0501058860	POINT		02
04	0511047765	POINT KIT		02
05	0511052139	PROTECTION COVER CARDAN		01
05A	0561014871	PROTECTION CARDAN PMT S-06009		02
05B	0561014869	PROTECTIVE COVER		02
05C	0503011953	5/16" X 1" BOLT		08
05D	0503013816	5/16" LOCKNUT		08



Item	Code	Description	See page	QT
01	0511052186	COUPLING (PMT JOHN DEERE 9570 STS ASSY)		01
01A	0521060932	COUPLING (JD 9570 STS)ASSY		01
01B	0503010395	1/2" X 1-1/4" BOLT		08
01C	0511017302	FLAT WASHER		16
01D	0503011336	1/2" HEX SELF ADJUSTING NUT		08
02	0501058861	POINT		02
03	0501059170	DRIVE SHAFT	36	02
04	0511047765	POINT KIT		02
05	0511052139	PROTECTION COVER CARDAN		01
05A	0561014871	PROTECTION CARDAN PMT S-06009		02
05B	0561014869	PROTECTIVE COVER		02
05C	0503011953	5/16" X 1" BOLT		08
05D	0503013816	5/16" LOCKNUT		08

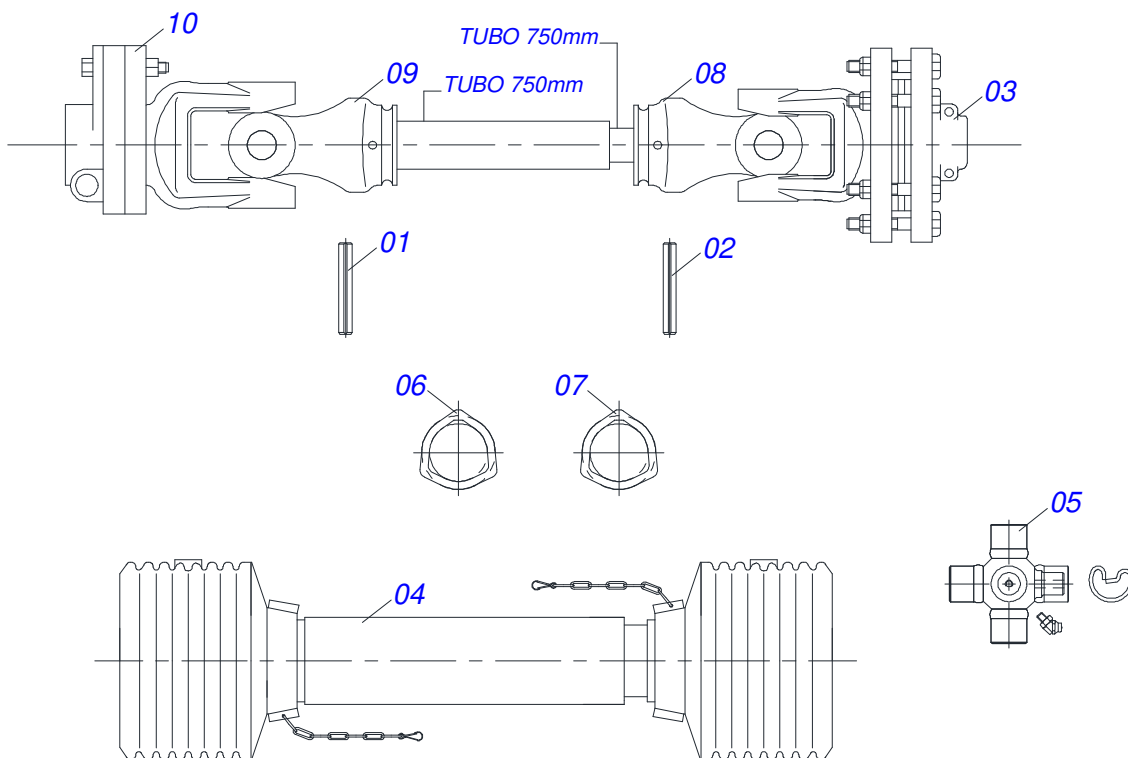


Item	Code	Description	See page	QT
01	0511052232	COUPLING (PMT VALTRA BC6500) ASSY		01
01A	0521062236	COUPLING (VTR BC 6500)ASSY		01
01B	0501010161	1/2" X 1.1/4" BOLT		08
01C	0511017302	FLAT WASHER		16
01D	0503011336	1/2" HEX SELF ADJUSTING NUT		08
02	0501059170	DRIVE SHAFT	36	02
03	0501058861	POINT		02
04	0511047765	POINT KIT		02
05	0511052139	PROTECTION COVER CARDAN		01
05A	0561014871	PROTECTION CARDAN PMT S-06009		01
05B	0561014869	PROTECTIVE COVER		01
05C	0503011952	5/16" X 3/4" BOLT		04
05D	0503013816	5/16" LOCKNUT		04



Item	Code	Description	See page	QT
01	0511052204	COUPLING (PMT VALTRA BC4500)ASSY		01
01A	0521062487	COUPLING (PMT VTR BC 4500)ASSY		01
01B	0503010395	1/2" X 1-1/4" BOLT		08
01C	0511017302	FLAT WASHER		16
01D	0503011336	1/2" HEX SELF ADJUSTING NUT		08
02	0501059170	DRIVE SHAFT	36	02
03	0501058861	POINT		02
04	0511047765	POINT KIT		02
05	0511052139	PROTECTION COVER CARDAN		02
05A	0561014871	PROTECTION CARDAN PMT S-06009		02
05B	0561014869	PROTECTIVE COVER		02
05C	0503011952	5/16" X 3/4" BOLT		08
05D	0503013816	5/16" LOCKNUT		08

DRIVE SHAFT



Item	Code	Description	See page	QT
01	0503015159	10 X 65 SPRING PIN		01
02	0503014073	SPRING PIN		01
03	0503015366	CLUTCH DISC ASSY		01
04	0503015371	PROTECTION ASSY		01
05	0503014059	CROSSPIECE		02
06	0503015367	FEMALE TRIANGULAR TUBE		01
07	0503014326	CABLE PP		11
08	0503015368	TERMINAL W/HOLE TRIAN MALE		01
09	0503015369	FEMALE TRIANGULAR TUBE		01
10	0503015370	TORQUE LIMITER		01



LOWER TRANSMISSION

0909094074

Item	Code	Description	See page	3250/3700/4150/4600/5050/5500/5550/5950/
07A	0501059287	BEARING ASSY		02 02 02 02 02 02 02 02 02
07Aa	0502012625	BEARING SIDE		02 02 02 02 02 02 02 02 02
07Ab	0503010914	6210-RS ROLLER BEARING		08 08 08 08 08 05 08 08 08
07Ac	0503011190	SEAL RING		04 04 04 04 04 04 04 04 04
07Ad	0503010740	BOLT 1/2 UNC X 2 CS G.5 ZN		08 08 08 08 08 08 08 08 08
07Ae	0511017302	FLAT WASHER		44 44 44 44 44 44 44 44 44
07Af	0503011336	1/2" HEX SELF ADJUSTING NUT		22 22 22 22 22 22 22 22 22
07B	0521061443	CONICAL GEAR AXLE		02 02 02 02 02 02 02 02 02
08	0521061098	21Z GEAR		01 01 02 02 02 02 02 02 02
09	0561014481	9,53 X 41 KEYWAY SQUARE		04 04 04 04 04 04 04 04 04
10	0561013946	FLAT WASHER		04 04 04 04 04 04 04 04 04
11	0561015817	31.75 X 395 HEX AXLE		00 00 02 02 02 00 00 00 00
12	0503010027	5/8" SPRING WASHER		04 04 04 04 04 04 04 04 04
13	0503011167	M16 X 2 X 30 BOLT		04 04 04 04 04 04 04 04 04
14	0561017251	SPRING GUIDE BUSHING LOCK		02 02 02 02 02 02 02 02 02
15	0501010161	1/2" X 1.1/4" BOLT		02 02 02 02 02 02 02 02 02
16	0503010060	1/2" NUT		02 02 02 02 02 02 02 02 02
17	0561012760	CONDUTOR SUPPORT SLEEVE		02 02 02 02 02 02 02 02 02
18	0511051675	BEARING MOVED LEFT WITH AXLE		01 01 01 01 01 01 01 01 01
18A	0511050760	BEARING MOVED LEFT		01 01 01 01 01 01 01 01 01
18Aa	0502012638	BEARING LEFT SIDE		01 01 01 01 01 01 01 01 01
18B	0521063685	50 LH SIDE FOLLOWER		01 01 01 01 01 01 01 01 01
18C	0503010372	501050 CLAMPING RING (FOR AXLE)		02 02 02 02 02 02 02 02 02
19	0503011172	BOLT 1/2 UNC X 2.1/2 C S G.5 ZN		04 04 04 04 04 04 04 04 04
20	0511017302	FLAT WASHER		04 04 04 04 04 04 04 04 04
21	0503010019	1/2" SPRING WASHER		04 04 04 04 04 04 04 04 04
22	0503011336	1/2" HEX SELF ADJUSTING NUT		04 04 04 04 04 04 04 04 04
23	0521060937	24Z GEAR		03 03 02 02 02 02 02 02 02
24	0503015359	80-1 CHAIN 81 LINK + REDUCTION + MENDING		02 02 02 02 02 02 02 02 02
25	0511051676	BEARING MOVED RIGHT WITH AXLE		01 01 01 01 01 01 01 01 01
25A	0511050759	BEARING MOVED RIGHT		01 01 01 01 01 01 01 01 01
25Aa	0502012662	BEARING LEFT SIDE		01 01 01 01 01 01 01 01 01
25B	0521063684	50 RH SIDE FOLLOWER		01 01 01 01 01 01 01 01 01
26	0571011064	CHOCK BEARING		01 01 01 01 01 01 01 01 01
27	0511052137	BEARING SUPPORT		00 00 02 02 02 02 02 02 02
27A	0561014870	SUPPORT BEARING		00 00 02 02 02 02 02 02 02
27B	0501010161	1/2" X 1.1/4" BOLT		00 00 04 04 04 04 04 04 04
28	0511050920	BEARING		00 00 02 02 02 02 02 02 02
28A	0502012590	BEARING		00 00 02 02 02 02 02 02 02
28B	0503015144	BEARING		00 00 02 02 02 02 02 02 02
29	0503011082	C1/2" X 1.3/4" SCREW		00 00 06 06 06 06 06 06 06
30	0561012138	TUBE SUPPORT		00 00 02 02 02 02 02 02 02
31	0503010479	BOLT		00 00 02 02 02 02 02 02 02
32	0521010505	13,50 X 19,00 X 21,50 SLEEVE		00 00 02 02 02 02 02 02 02
33	0511052095	BEARING COVER ASSAY		04 04 04 04 04 04 04 04 04
33A	0561014068	BEARING COVER		04 04 04 04 04 04 04 04 04
33B	0503010395	1/2" X 1-1/4" BOLT		08 08 08 08 08 08 08 08 08
34	0561015816	31.75 X 235 HEX AXLE		01 01 00 00 00 00 00 00 00
35	0561015815	31.75 X 175 HEX AXLE		01 01 00 00 00 00 00 00 00
36	0561015818	31.75 X 835 HEX AXLE		00 00 00 00 00 01 01 00 00
37	0561015819	31.75 X 1060 HEX AXLE		00 00 00 00 00 00 00 01 01
38	0561015820	31.75 X 1340 HEX AXLE		00 00 00 00 00 00 00 00 00
39	0561015821	31.75 X 1435 HEX AXLE		00 00 00 00 00 00 00 00 00
40	0561015822	31.75 X 1560 HEX AXLE		00 00 00 00 00 00 00 00 00
41	0561015823	31.75 X 1865 HEX AXLE		00 00 00 00 00 00 00 00 00
42	0561014962	60 X 42 X 420 PVC TUBE		00 00 00 00 00 02 02 00 00
43	0561015602	Ø 60 X Ø 53 X 645 PVC TUBE		00 00 00 00 00 00 00 02 02
44	0561015603	Ø 60 X Ø 53 X 645 PVC TUBE		00 00 00 00 00 00 00 00 00
45	0561015604	Ø 60 X Ø 53 X 1020 PVC TUBE		00 00 00 00 00 00 00 00 00

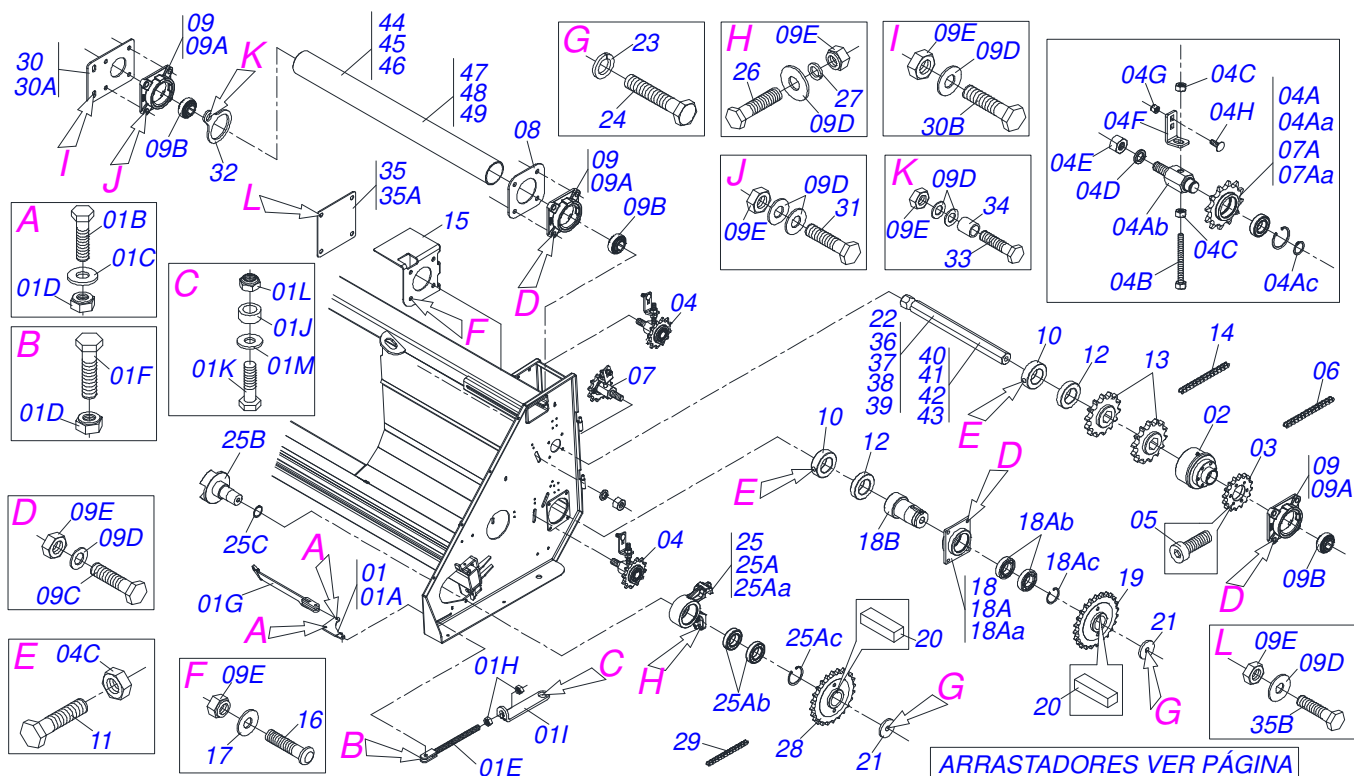


LOWER TRANSMISSION

0909094074

Item	Code	Description	See page	3250/3700/4150/4600/5050/5500/5550/5950/
46	0561015605	Ø 60 X Ø 53 X 1145 PVC TUBE		00 00 00 00 00 00 00 00 00
47	0561015606	Ø 60 X Ø 53 X 1445 PVC TUBE		00 00 00 00 00 00 00 00 00

UPPER TRANSMISSION



Item	Code	Description	See page	3250/3700/4150/4600/5050/5500/5550/5950/
01	0561010927	EAR PIVOT	01	01 01 01 01 01 01 01 01 01 01
01A	0561010927	EAR PIVOT	01	01 01 01 01 01 01 01 01 01 01
01B	0503015113	M10 X 1,5 X 45 BOLT	02	02 02 02 02 02 02 02 02 02 02
01C	0501013518	FLAT WASHER	04	04 04 04 04 04 04 04 04 04 04
01D	0503011841	M10 SELF ADJUSTING NUT	03	03 03 03 03 03 03 03 03 03 03
01E	0521060220	R.5/8 UNCJACK	01	01 01 01 01 01 01 01 01 01 01
01F	0503015112	M10 X 1,5 X 30 BOLT	01	01 01 01 01 01 01 01 01 01 01
01G	0521060224	OFFSET BAR	01	01 01 01 01 01 01 01 01 01 01
01H	0503010013	5/8" NUT	02	02 02 02 02 02 02 02 02 02 02
01I	0561014157	REGULATOR JACK FIXER	01	01 01 01 01 01 01 01 01 01 01
01J	0561014158	25 X 13,2 X 9 SLEEVE	01	01 01 01 01 01 01 01 01 01 01
01K	0503010920	1/2" X 1.1/2" BOLT	01	01 01 01 01 01 01 01 01 01 01
01L	0503011336	1/2" HEX SELF ADJUSTING NUT	01	01 01 01 01 01 01 01 01 01 01
01M	0511017302	FLAT WASHER	01	01 01 01 01 01 01 01 01 01 01
02	0503015139	TORQUE LIMITER	01	01 01 01 01 01 01 01 01 01 01
03	0502012706	16Z GEAR	01	01 01 01 01 01 01 01 01 01 01
04	0521040684	CHAIN TENSIONER	02	02 02 02 02 02 02 02 02 02 02
04A	0511051680	CHAIN TENSIONER	02	02 02 02 02 02 02 02 02 02 02
04Aa	0501110689	12Z GEAR	02	02 02 02 02 02 02 02 02 02 02
04Ab	0571010224	AXLE BODY TENSIONER	02	02 02 02 02 02 02 02 02 02 02
04Ac	0503010406	501025 CLAMPING RING (FOR AXLE)	02	02 02 02 02 02 02 02 02 02 02
04B	0521060237	CHAIN TENSIONER JACK	03	03 03 03 03 03 03 03 03 03 03
04C	0503010060	1/2" NUT	10	10 10 09 09 09 09 09 09 09 09
04D	0503010023	3/4" SPRING WASHER	03	03 03 03 03 03 03 03 03 03 03
04E	0503010014	3/4" NUT	03	03 03 03 03 03 03 03 03 03 03
04F	0561014066	CHAIN TENSIONER SUPPORT	03	03 03 03 03 03 03 03 03 03 03
04G	0503013357	3/8" SELF-ADJUSTING NUT	03	03 03 03 03 03 03 03 03 03 03
04H	0501011643	3/8 X 1" BOLT	03	03 03 03 03 03 03 03 03 03 03
05	0503015162	M 8 X 1,25 X 20 BOLT	06	06 06 06 06 06 06 06 06 06 06
06	0503016446	60.1 CHAIN 79 LINK + MENDING	01	01 01 01 01 01 01 01 01 01 01
07	0521040683	CHAIN TENSIONER	01	01 01 01 01 01 01 01 01 01 01



UPPER TRANSMISSION

0909094075

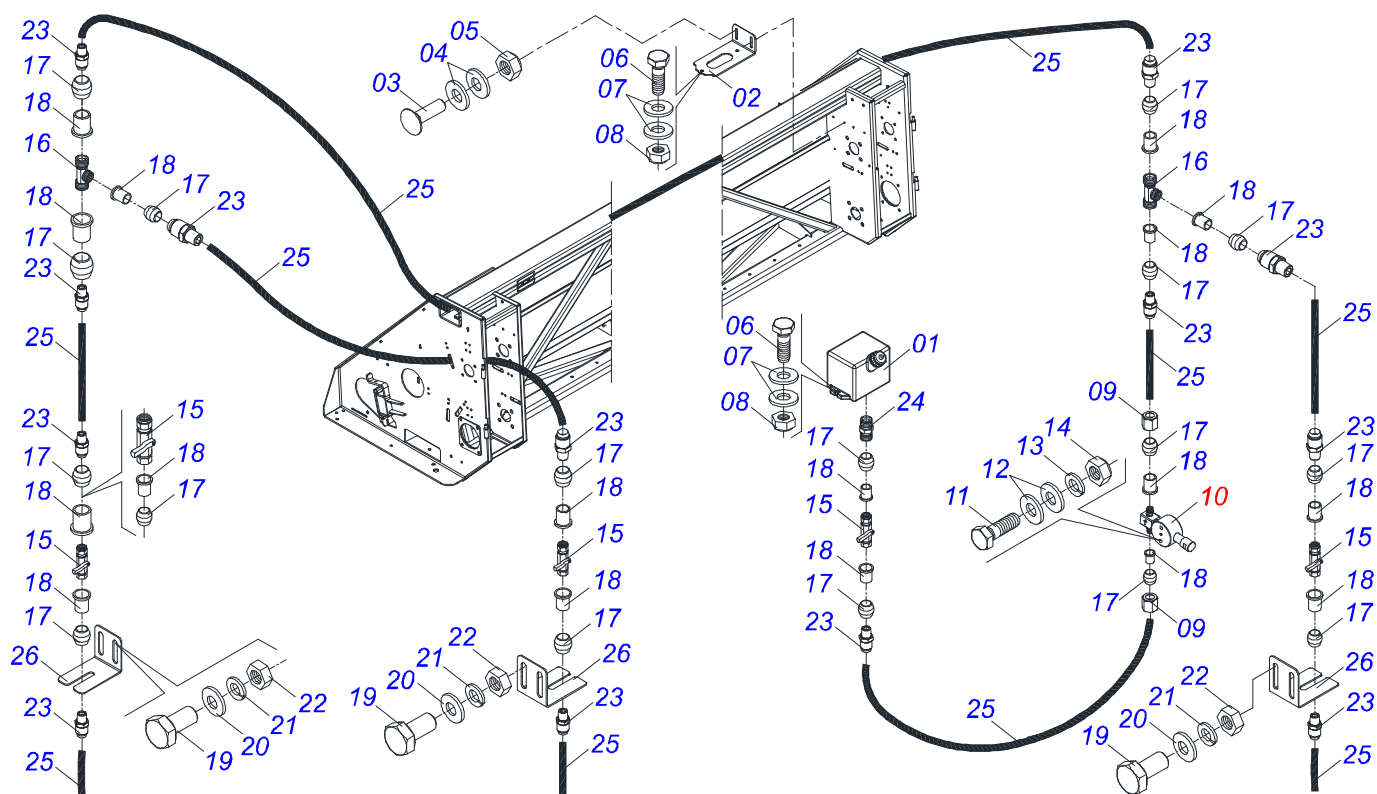
Item	Code	Description	See page	3250/3700/4150/4600/5050/5500/5550/5950/
07A	0511051679	CHAIN TENSIONER		01 01 01 01 01 01 01 01 01 01
08	0561011114	BEARING SUPPORT		01 01 01 01 01 01 01 01 01 01
09	0511050920	BEARING		03 03 03 03 03 03 03 03 03 03
09A	0502012590	BEARING		03 03 03 03 03 03 03 03 03 03
09B	0503015144	BEARING		03 03 03 03 03 03 03 03 03 03
09C	0503010740	BOLT 1/2 UNC X 2 CS G.5 ZN		12 12 12 12 12 12 12 12 12 12
09D	0511017302	FLAT WASHER		36 36 36 36 36 36 36 36 36 36
09E	0503011336	1/2" HEX SELF ADJUSTING NUT		32 32 32 32 32 32 32 32 32 32
10	0561017251	SPRING GUIDE BUSHING LOCK		04 04 03 03 03 03 03 03 03 03
11	0501010161	1/2" X 1.1/4" BOLT		04 04 03 03 03 03 03 03 03 03
12	0561012760	CONDUTOR SUPPORT SLEEVE		04 04 03 03 03 03 03 03 03 03
13	0521060517	14Z GEAR		02 02 02 02 02 02 02 02 02 02
14	0503016450	80-1 CHAIN X 45 LINK + MENDING		01 01 01 01 01 01 01 01 01 01
15	0571013043	BEARING SUPPORT		01 01 01 01 01 01 01 01 01 01
16	0501011194	1/2" X 1-3/4" BOLT		04 04 04 04 04 04 04 04 04 04
17	0501013519	FLAT WASHER		04 04 04 04 04 04 04 04 04 04
18	0511048188	MOTOR AXLE BEARING		01 01 01 01 01 01 01 01 01 01
18A	0501059287	BEARING ASSY		01 01 01 01 01 01 01 01 01 01
18Aa	0502012625	BEARING SIDE		01 01 01 01 01 01 01 01 01 01
18Ab	0503010914	6210-RS ROLLER BEARING		04 04 04 04 04 04 04 04 04 04
18Ac	0503011190	SEAL RING		02 02 02 02 02 02 02 02 02 02
18B	0521061443	CONICAL GEAR AXLE		01 01 01 01 01 01 01 01 01 01
19	0521061098	21Z GEAR		01 01 01 01 01 01 01 01 01 01
20	0561014481	9,53 X 41 KEYWAY SQUARE		03 03 02 02 02 02 02 02 02 02
21	0561013946	FLAT WASHER		03 03 02 02 02 02 02 02 02 02
22	0561015817	31.75 X 395 HEX AXLE		00 00 01 01 01 00 00 00 00 00
23	0503010027	5/8" SPRING WASHER		02 02 02 02 02 02 02 02 02 02
24	0503011167	M16 X 2 X 30 BOLT		03 03 02 02 02 02 02 02 02 02
25	0511051675	BEARING MOVED LEFT WITH AXLE		01 01 01 01 01 01 01 01 01 01
25A	0511050760	BEARING MOVED LEFT		01 01 01 01 01 01 01 01 01 01
25Aa	0502012638	BEARING LEFT SIDE		01 01 01 01 01 01 01 01 01 01
25B	0521063685	50 LH SIDE FOLLOWER		01 01 01 01 01 01 01 01 01 01
25C	0503010372	501050 CLAMPING RING (FOR AXLE)		02 02 02 02 02 02 02 02 02 02
26	0503011172	BOLT 1/2 UNC X 2.1/2 C S G.5 ZN		02 02 02 02 02 02 02 02 02 02
27	0503010019	1/2" SPRING WASHER		02 02 02 02 02 02 02 02 02 02
28	0521060937	24Z GEAR		02 02 01 01 01 01 01 01 01 01
29	0503015359	80-1 CHAIN 81 LINK + REDUCTION + MENDING		01 01 01 01 01 01 01 01 01 01
30	0511052137	BEARING SUPPORT		00 00 01 01 01 01 01 01 01 01
30A	0561014870	SUPPORT BEARING		00 00 01 01 01 01 01 01 01 01
30B	0501010161	1/2" X 1.1/4" BOLT		00 00 02 02 02 02 02 02 02 02
31	0503011082	C1/2" X 1.3/4" SCREW		00 00 03 03 03 03 03 03 03 03
32	0561012138	TUBE SUPPORT		00 00 01 01 01 01 01 01 01 01
33	0503010479	BOLT		00 00 02 02 02 02 02 02 02 02
34	0521010505	13,50 X 19,00 X 21,50 SLEEVE		01 01 01 01 01 01 01 01 01 01
35	0511052095	BEARING COVER ASSAY		04 04 04 04 04 04 04 04 04 04
35A	0561014068	BEARING COVER		04 04 04 04 04 04 04 04 04 04
35B	0503010395	1/2" X 1-1/4" BOLT		08 08 08 08 08 08 08 08 08 08
36	0561015816	31.75 X 235 HEX AXLE		01 01 00 00 00 00 00 00 00 00
37	0561015815	31.75 X 175 HEX AXLE		01 01 00 00 00 00 00 00 00 00
38	0561015818	31.75 X 835 HEX AXLE		00 00 00 00 00 01 01 00 00 00
39	0561015819	31.75 X 1060 HEX AXLE		00 00 00 00 00 00 00 01 01 00
40	0561015820	31.75 X 1340 HEX AXLE		00 00 00 00 00 00 00 00 00 01
41	0561015821	31.75 X 1435 HEX AXLE		00 00 00 00 00 00 00 00 00 00
42	0561015822	31.75 X 1560 HEX AXLE		00 00 00 00 00 00 00 00 00 00
43	0561015823	31.75 X 1865 HEX AXLE		00 00 00 00 00 00 00 00 00 00
44	0561014962	60 X 42 X 420 PVC TUBE		00 00 00 00 00 01 01 00 00 00
45	0561015602	Ø 60 X Ø 53 X 645 PVC TUBE		00 00 00 00 00 00 00 01 01 00
46	0561015603	Ø 60 X Ø 53 X 645 PVC TUBE		00 00 00 00 00 00 00 00 00 01
47	0561015604	Ø 60 X Ø 53 X 1020 PVC TUBE		00 00 00 00 00 00 00 00 00 00



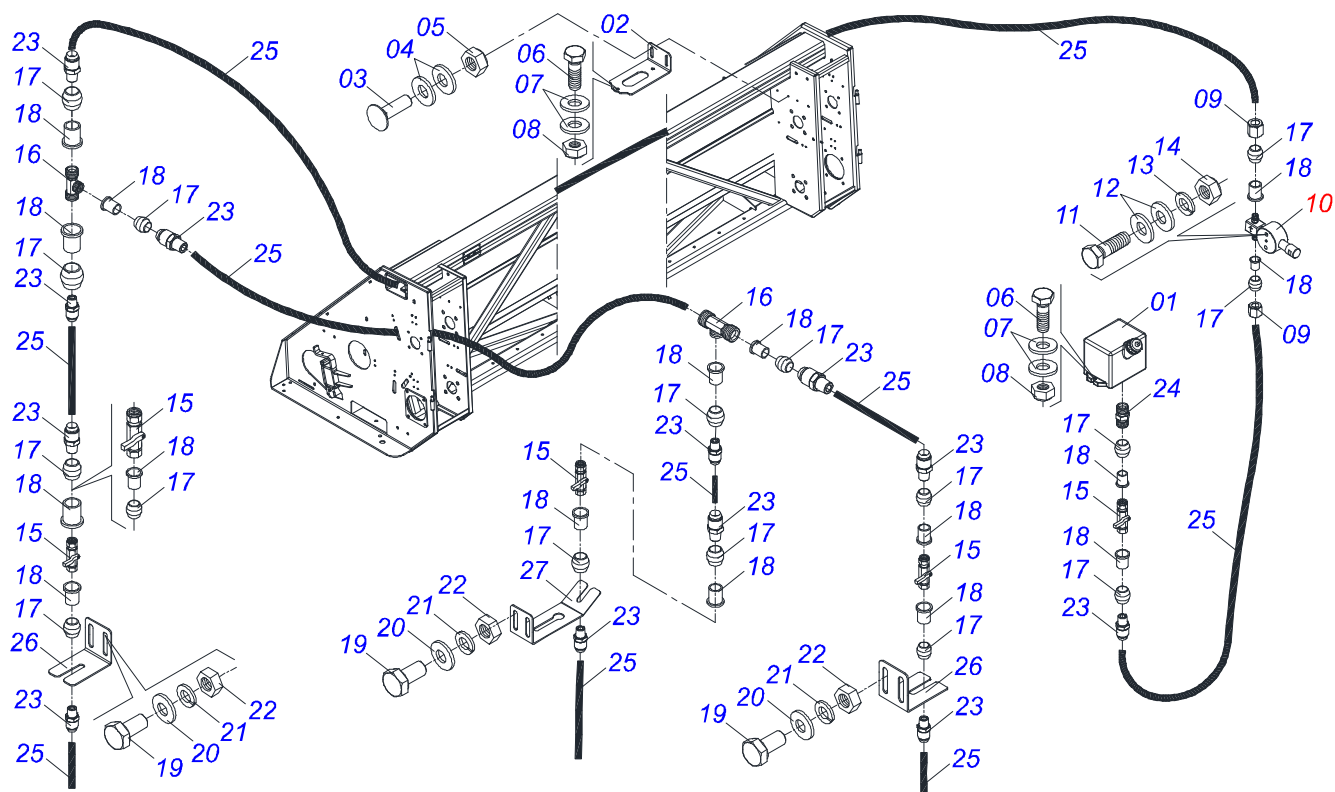
UPPER TRANSMISSION

0909094075

Item	Code	Description	See page	3250/3700/4150/4600/5050/5500/5550/5950/
48	0561015605	Ø 60 X Ø 53 X 1145 PVC TUBE		00 00 00 00 00 00 00 00 00 00
49	0561015606	Ø 60 X Ø 53 X 1445 PVC TUBE		00 00 00 00 00 00 00 00 00 00

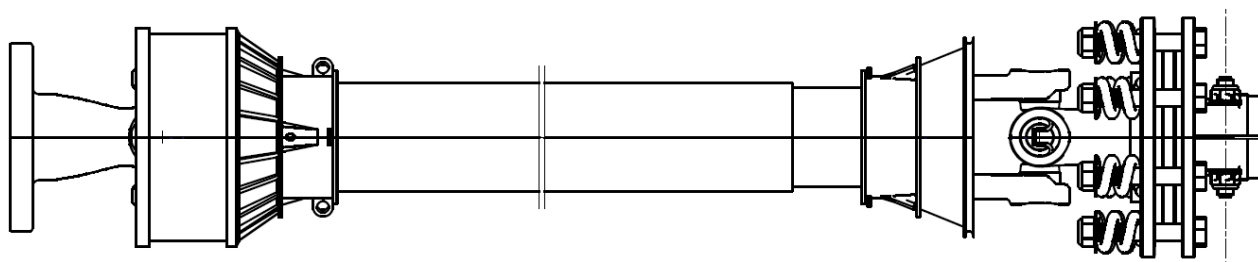


Item	Code	Description	See page	QT
00	0501059230	CURRENT LUBRICATION SYSTEM	01	
01	0503061854	OIL RESERVOIR	01	
02	0571010227	RESERVOIR SUPPORT	01	
03	0501010942	3/8" X 1-1/4" BOLT	02	
04	0501010984	FLAT WASHER	02	
05	0503013357	3/8" SELF-ADJUSTING NUT	02	
06	0503010365	NUT	02	
07	0521011039	FLAT WASHER	04	
08	0503013816	5/16" LOCKNUT	02	
09	0503015060	CONNECTOR	02	
10	0511052730	PUMP	01	
11	0503011194	BOLT 1/4 UNC X 2.1/2 CS G.2 ZN	02	
12	0511017303	FLAT WASHER	04	
13	0503010143	1/4" SPRING WASHER	02	
14	0503010144	1/4" NUT	02	
15	0503015057	CONTROL COCK	04	
16	0503015058	COUPLING TE	04	
17	0503015059	PIPE ADAPTER	16	
18	0503015129	RING IDENTIFICATION	16	
19	0503011812	BOLT M6 X 1 X 12 CS 8.8 ZN	02	
20	0503010305	FLAT WASHER	04	
21	0503015110	M06 SPRING WASHER	02	
22	0503014540	M6 NUT	02	
23	0503015177	CONNECTOR MALE	13	
24	0561014331	R.1/4 NPT X 35 NIPPLE	01	
25	0503015062	TUBE	15	
26	0561011218	LUBRICATION SUPPORT	03	



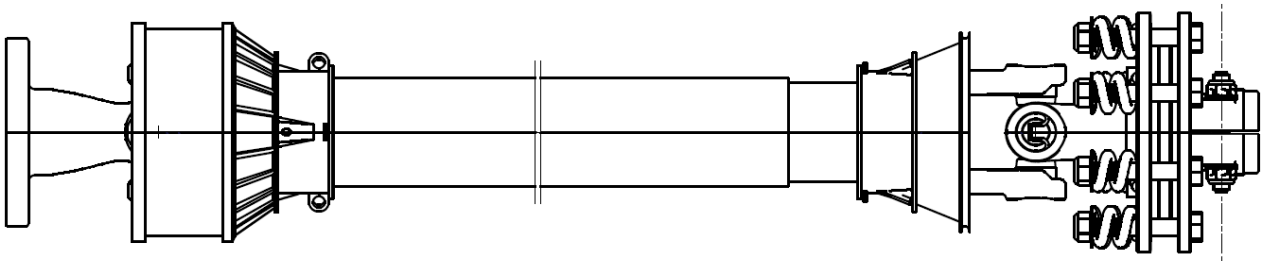
Item	Code	Description	See page	QT
00	0501059230	CURRENT LUBRICATION SYSTEM		01
01	0503061854	OIL RESERVOIR		01
02	0571010227	RESERVOIR SUPPORT		01
03	0501010942	3/8" X 1-1/4" BOLT		02
04	0501010984	FLAT WASHER		02
05	0503013357	3/8" SELF-ADJUSTING NUT		02
06	0503010365	NUT		02
07	0521011039	FLAT WASHER		04
08	0503013816	5/16" LOCKNUT		02
09	0503015060	CONNECTOR		02
10	0511052730	PUMP		01
11	0503011194	BOLT 1/4 UNC X 2.1/2 CS G.2 ZN		02
12	0511017303	FLAT WASHER		04
13	0503010143	1/4" SPRING WASHER		02
14	0503010144	1/4" NUT		02
15	0503015057	CONTROL COCK		04
16	0503015058	COUPLING TE		04
17	0503015059	PIPE ADAPTER		16
18	0503015129	RING IDENTIFICATION		16
19	0503011812	BOLT M6 X 1 X 12 CS 8.8 ZN		02
20	0503010305	FLAT WASHER		04
21	0503015110	M06 SPRING WASHER		02
22	0503014540	M6 NUT		02
23	0503015177	CONNECTOR MALE		13
24	0561014331	R.1/4 NPT X 35 NIPPLE		01
25	0503015062	TUBE		15
26	0561011218	LUBRICATION SUPPORT		03
27	0561014069	SUPPORT LUBRICATION		01

DRIVE SHAFT



Item	Code	Description	See page	QT
01	0511047824	DRIVE SHAFT	41	01

DRIVE SHAFT



Item	Code	Description	See page	QT
01	0503015159	10 X 65 SPRING PIN		01
02	0503014073	SPRING PIN		01
03	0503015366	CLUTCH DISC ASSY		01
04	0503015371	PROTECTION ASSY		01
05	0503014059	CROSSPIECE		02
06	0503015367	FEMALE TRIANGULAR TUBE		01
07	0503015368	TERMINAL W/HOLE TRIAN MALE		01
08	0503015369	FEMALE TRIANGULAR TUBE		01
09	0503015370	TORQUE LIMITER		01



MARCHESAN

Technical Publications | Elaboration and Revision

JOSÉ DOMINGOS GASPARI

www.marchesan.com.br

