

# PARTS CATALOGUE



## PD - FRONT LOADER

**Code:**

0501092667

**Product:**

PD VTR A850/950 BT SC GAL



**Series:**

S-0415

**Revision:**

00

**Date Revision:**

SETEMBRO/2020



# PRODUCTS

Code	Description
0106020428	PD VTR A850/950 BT SC GAL G2 S-0415

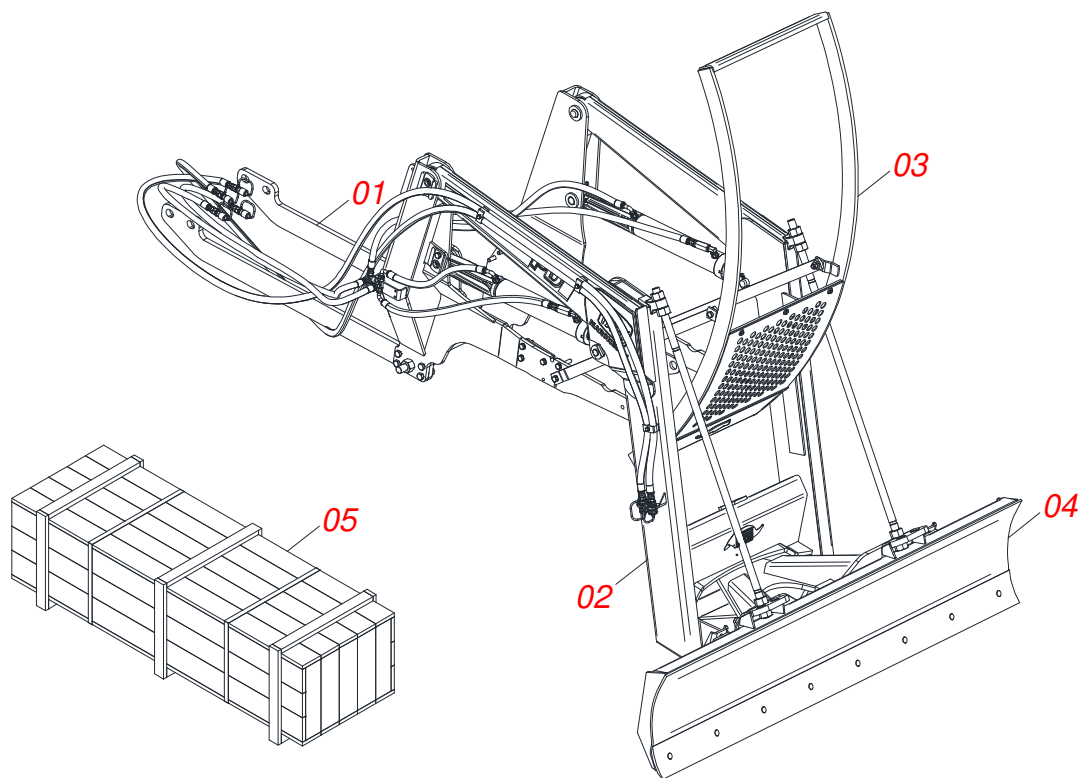
## ATTENTION: IMPORTANT

Marchesan S.A. reserves the right to improve and / or modify the technical features of its products, without obligation to do the same with those products already sold and without prior knowledge of the dealer or the consumer.

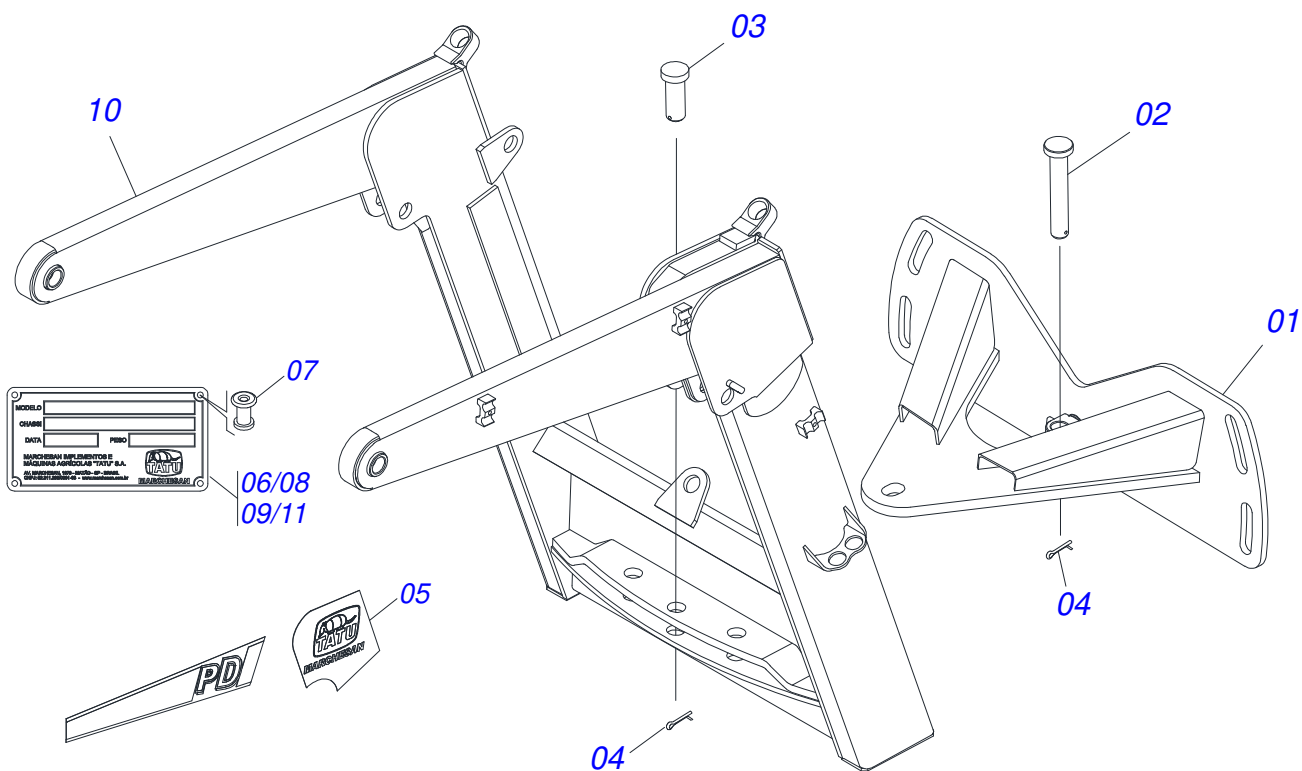


# INDEX

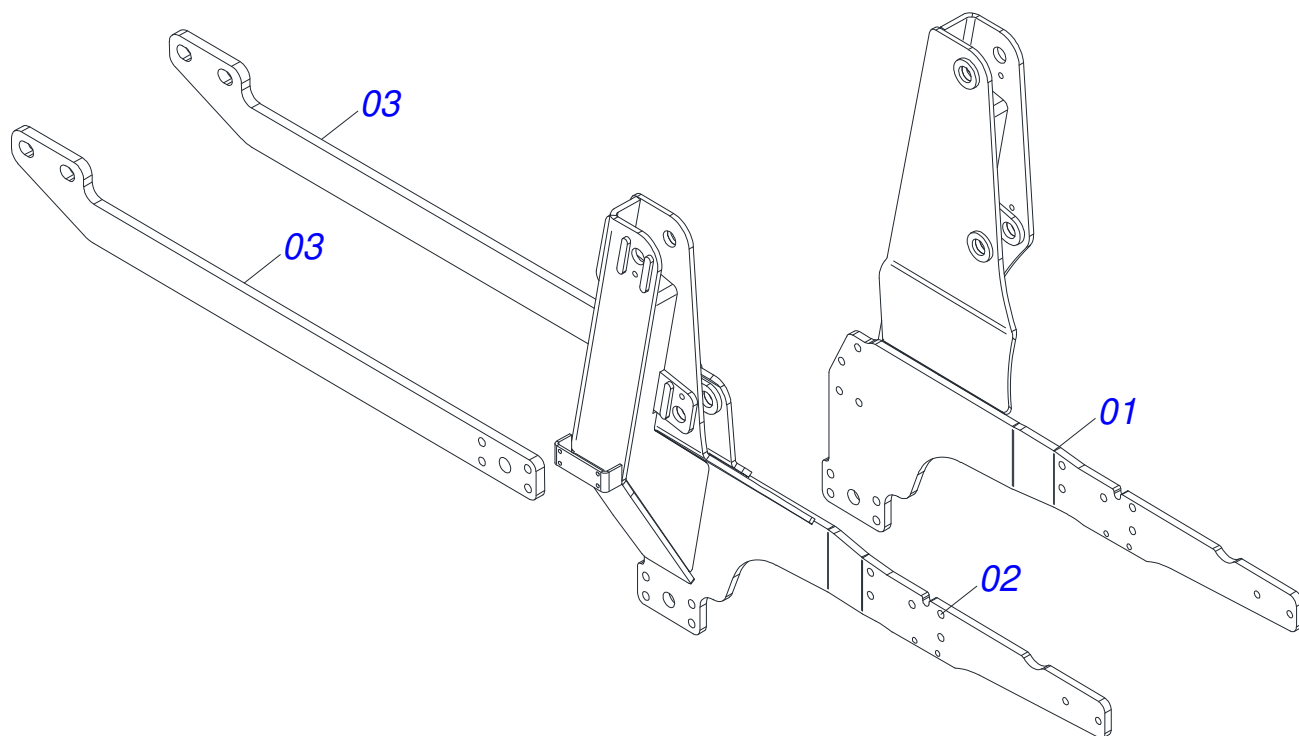
0106020428	PD VTR A850/950 BT SC GAL G2 S-0415	.....	1
0511049953	MOBILE FULL SUPPORT PD VTR A950	.....	2
0521045652	CHASSI WITH REAR BAR ASSEMBLY	.....	3
0511049956	MOBILE SUPPORT GUIDE ASSY	.....	4
0521021629	BOX WITH COMPONENTS	.....	5
0909099265	COMPONENTS FRAME AND GUIDE	.....	6
0909099266	COMPONENTS MOBILE SUPPORT AND SUPPORT SCRAPER	.....	7
0909099264	HYDRAULIC SYSTEM COMPONENTS	.....	8
0501041427	1.1/4" NC X 1540 ROD	.....	9
0501047708	2400 BLADE SUPPORT	.....	10
0511057771	R.7/8UNF - SAFETY VALVE	.....	11
0511058454	HYDRAULIC CYLINDER	.....	12
0511031773	PACKED PARTS	.....	13
0909099268	PACKED PARTS FRAME GUIDE	.....	14
0909099267	PACKED PARTS MOBILE SUPPORT GUIDE	.....	15
0501053834	MALE QUICK COUPLER WITH CAP - 1/2 NPT	.....	16
0501053835	FEMALE QUICK COUPLER	.....	17



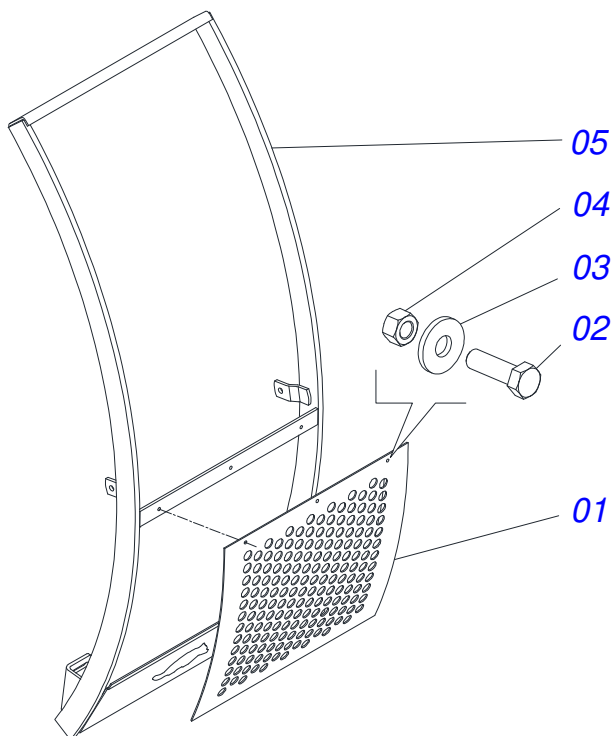
Item	Code	Description	See page	QT
001	0521045652	CHASSI WITH REAR BAR ASSEMBLY	3	01
002	0511049953	MOBILE FULL SUPPORT PD VTR A950	2	01
003	0511049956	MOBILE SUPPORT GUIDE ASSY	4	01
004	0501047708	2400 BLADE SUPPORT	10	01
005	0521021629	BOX WITH COMPONENTS	5	01



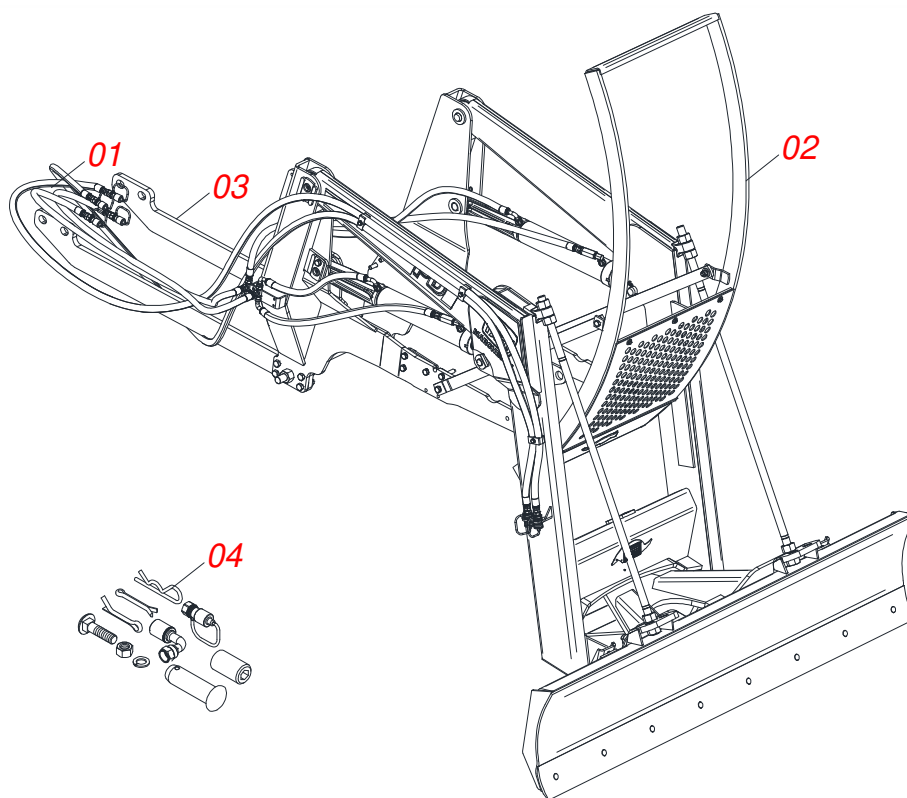
Item	Code	Description	See page	QT
01	0501062637	5/8" REGULATOR SUPPORT		01
02	0521010618	1.4" X 8.6" COUPLING SHAFT		01
03	0521010612	1.4" X 3.5" COUPLING SHAFT		01
04	0503010010	1/4" X 2.1/2" COTTERPIN		02
05	0503062270	SET LABEL ADHESIVE		01
06	0503034003	SERIAL NUMBER TAG 61 X 118		01
07	0503010001	3.2 X 5.5 RIVET		04
08	0503031428	READ MANUAL DECAL		01
09	0503031827	LUBRICATE AND RETIGHTEN DAILY DECAL		01
10	0521062701	MOBILE SUPPORT - PD VTR A950		01
11	0503034078	LIFTING POINTS DECAL		03



Item	Code	Description	See page	QT
001	0521066138	LEFT FRAME		01
002	0521066136	RIGHT FRAME		01
003	0571019093	REAR COUPLING BAR PCA-T PLUS 1500 VTR		02

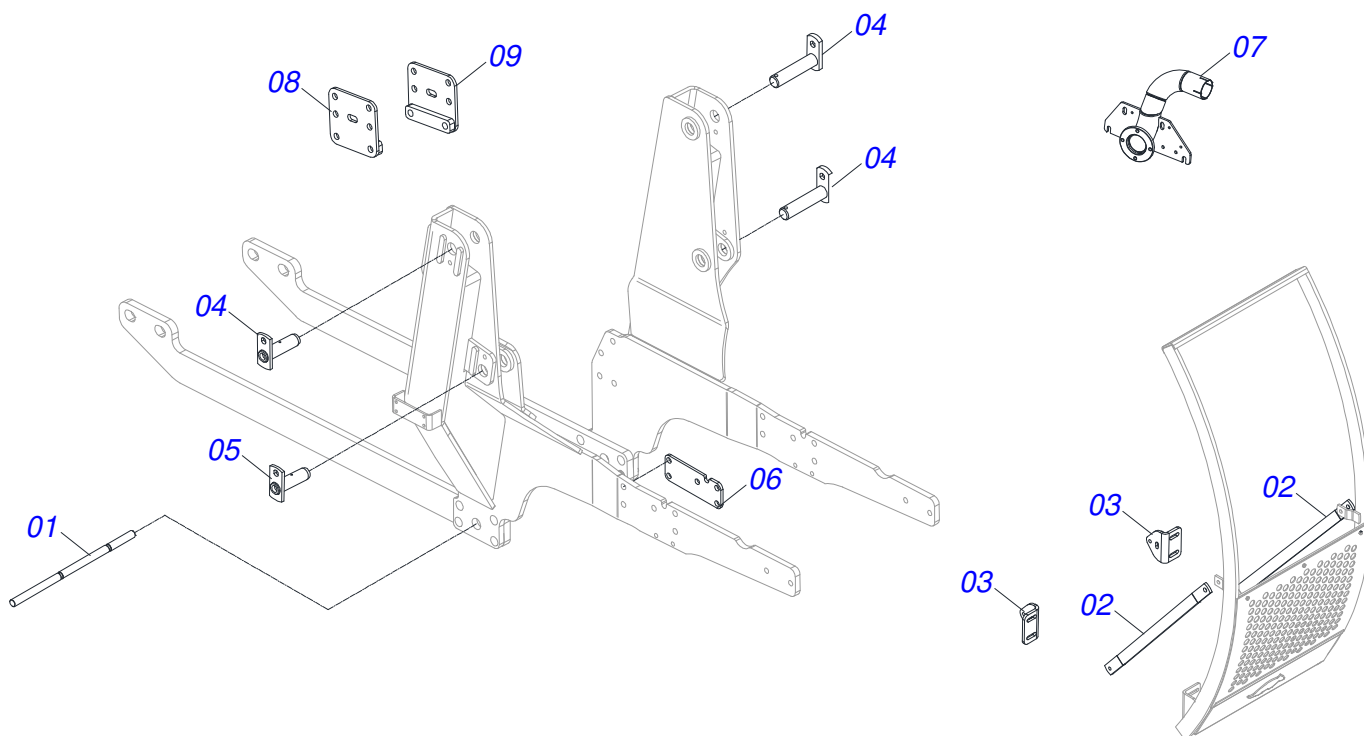


Item	Code	Description	See page	QT
01	0501017431	FRONT PROTECTION		01
02	0503010751	C3/8" X 1.1/4" HEX BOLT G.5		03
03	0501010984	FLAT WASHER		03
04	0503010026	3/8" NUT		03
05	0521062696	GUIDE SUPPORT MOBILE		01

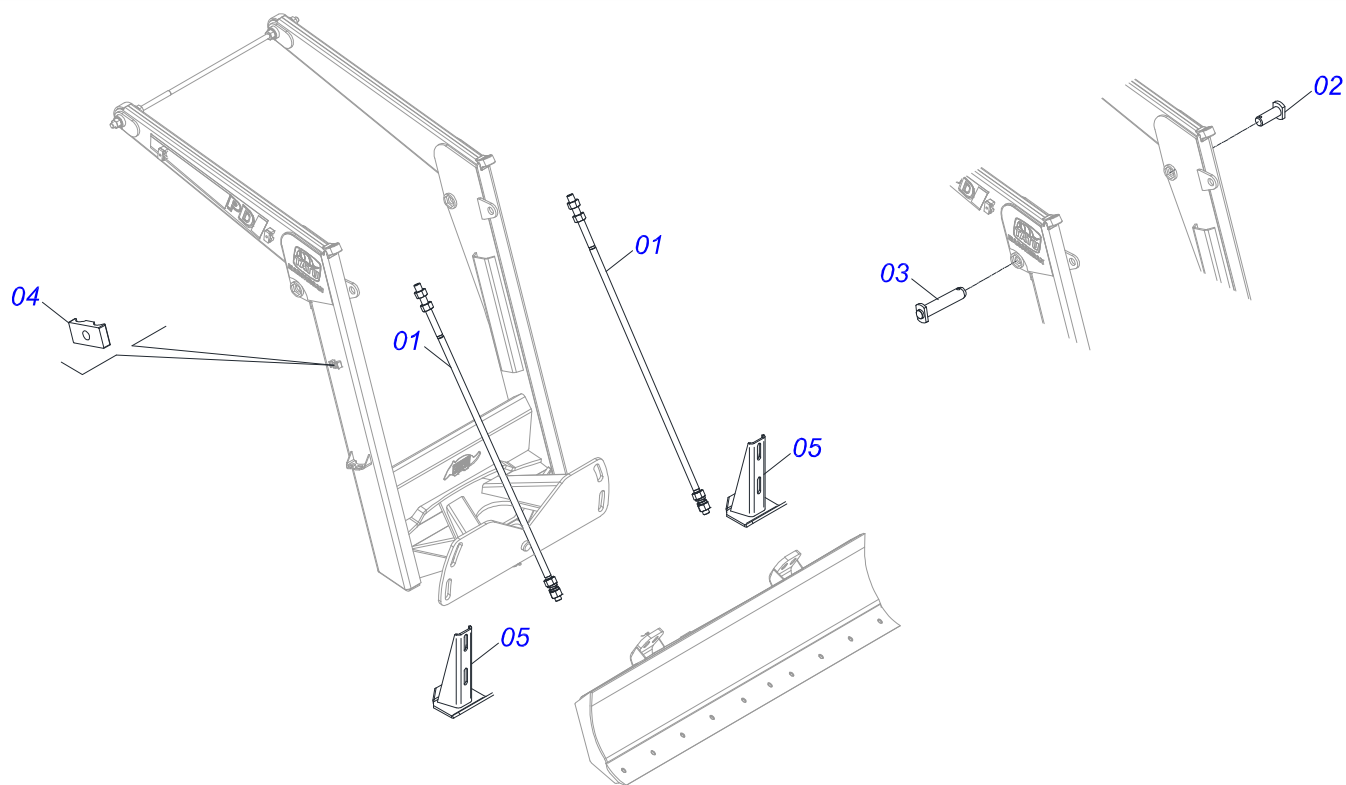


Item	Code	Description	See page	QT
01	0909099264	HYDRAULIC SYSTEM COMPONENTS	8	01
02	0909099266	COMPONENTS MOBILE SUPPORT AND SUPPORT SCRAPER	7	01
03	0909099265	COMPONENTS FRAME AND GUIDE	6	01
04	0511031773	PACKED PARTS	13	01

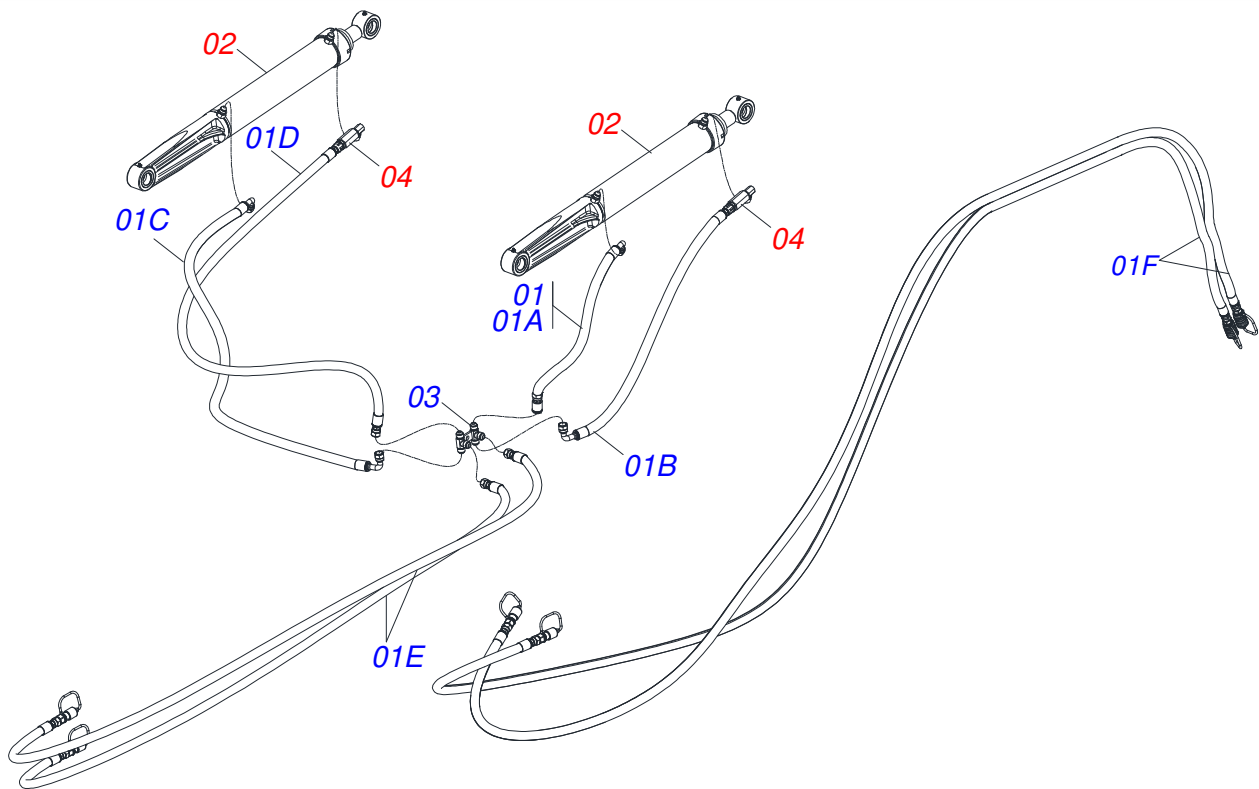




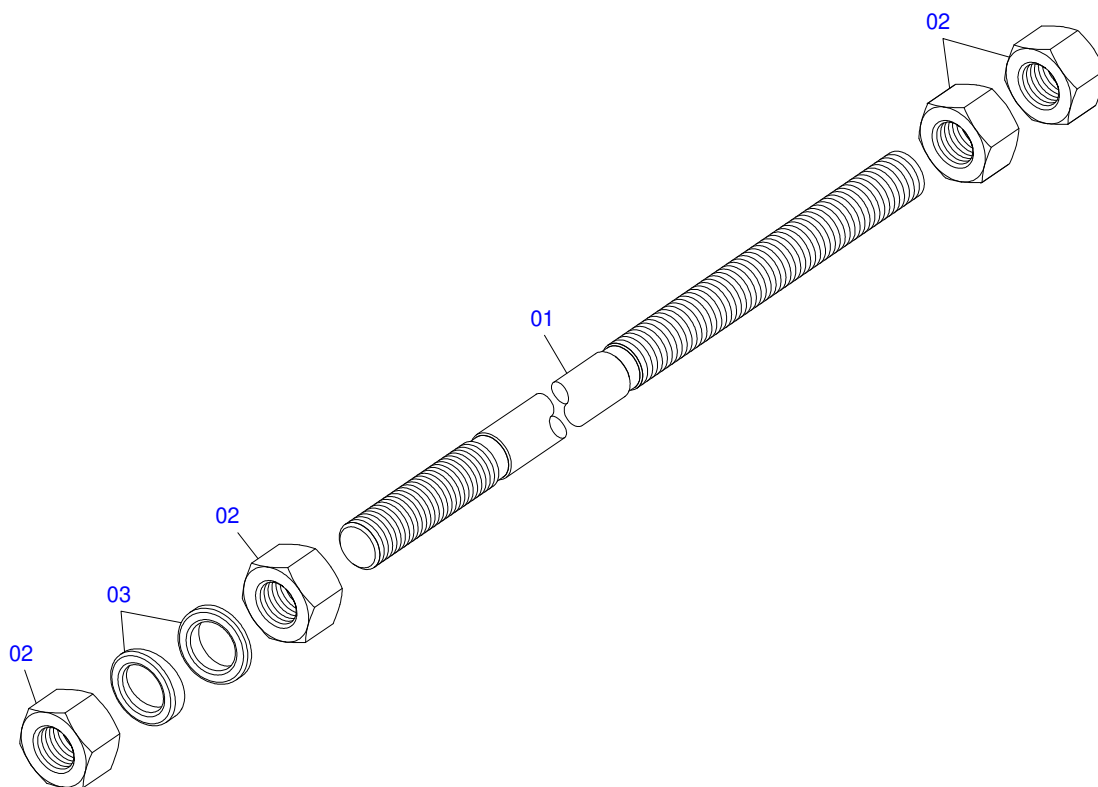
Item	Code	Description	See page	QT
01	0501014753	1" NC X 700 ROD		01
02	0571010018			01
03	0571010158	FIXER GUIDE MOBILE SUPPORT		01
04	0501063751	1.5" X 5.5" PIVOT SHAFT		03
05	0501063960	37,2 X 130 PIVOT SHAFT LOCK		01
06	0571017227	CHASSIS SHIM - PCA VTR A750/850/950		02
07	0521065911	EXHAUST SUPPLEMENT		01
08	0521067359	LEFT FRAME LOCK PCA-T PLUS 1500 VTR A950		01
09	0521067351	RIGHT FRAME LOCK PCA-T PLUS 1500 VTR A750 A A950		01



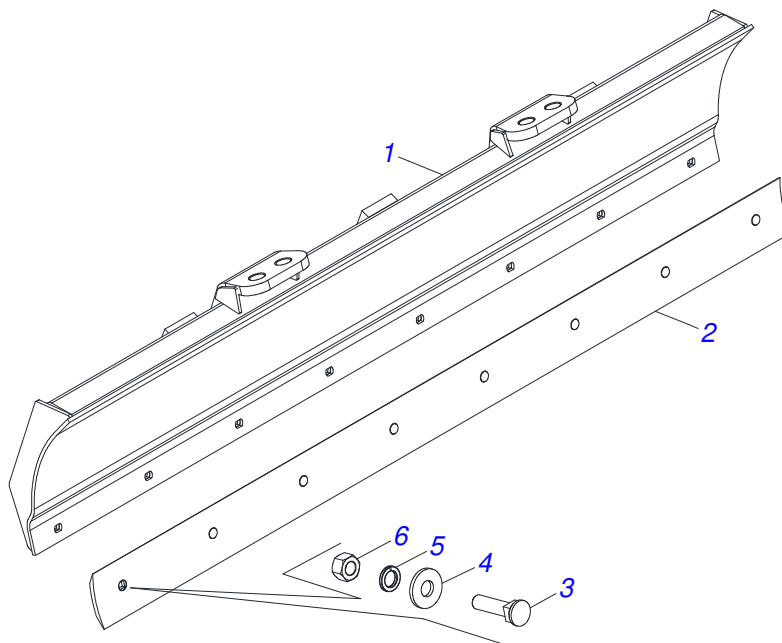
Item	Code	Description	See page	QT
01	0501014753	1" NC X 700 ROD		02
02	0521063354	COUPLING SHAFT		01
03	0521063358	37,20 X 161 JOINT AXIS - PD VTR A950		01
04	0502010477	HOSE CLAMP		03
05	0501063411	ESTABILIZER BRACKET		02



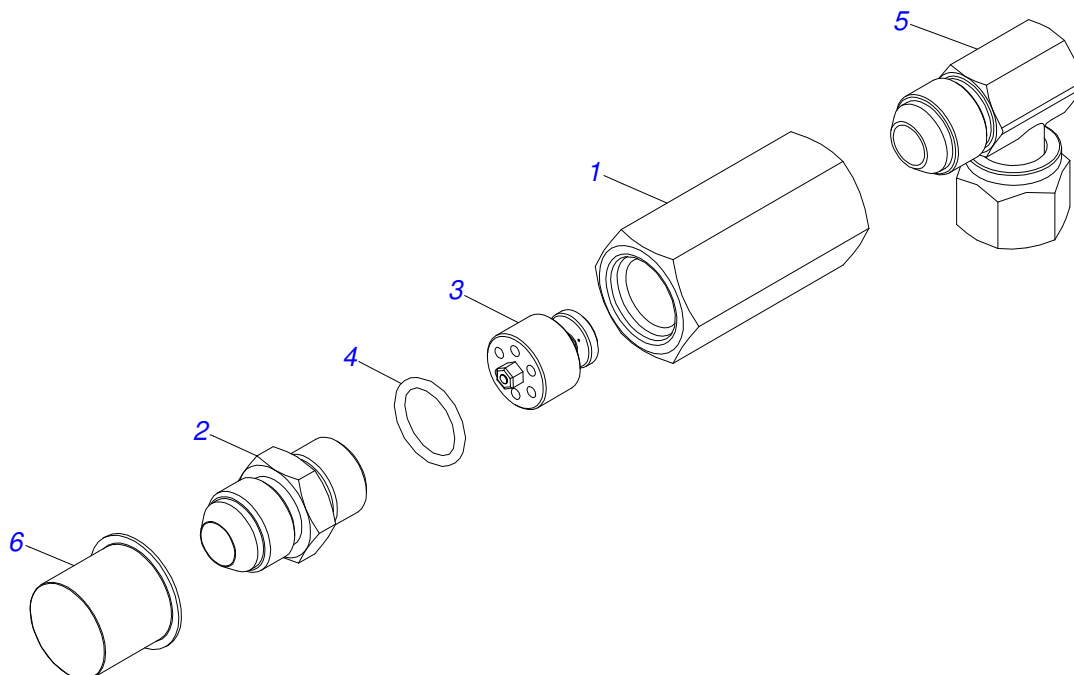
Item	Code	Description	See page	QT
01	0511057466			01
01A	0501081638	1/2 X 1050 TC-TR HOSE		01
01B	0501080919			01
01C	0501080224			01
01D	0501080827	1/2" X 90.55" TR-TR HOSE		01
01E	0501080076	1/2" X 2500 TR-TM HOSE ASSY		02
01F	0501081359	1/2 X 5500 TM-TM HOSE ASSY		02
02	0511058454	HYDRAULIC CYLINDER	12	02
03	0521064869	7/8UNF JIC OIL DISTRIBUTOR - PD NH T7 175		01
04	0511057771	R.7/8UNF - SAFETY VALVE	11	02



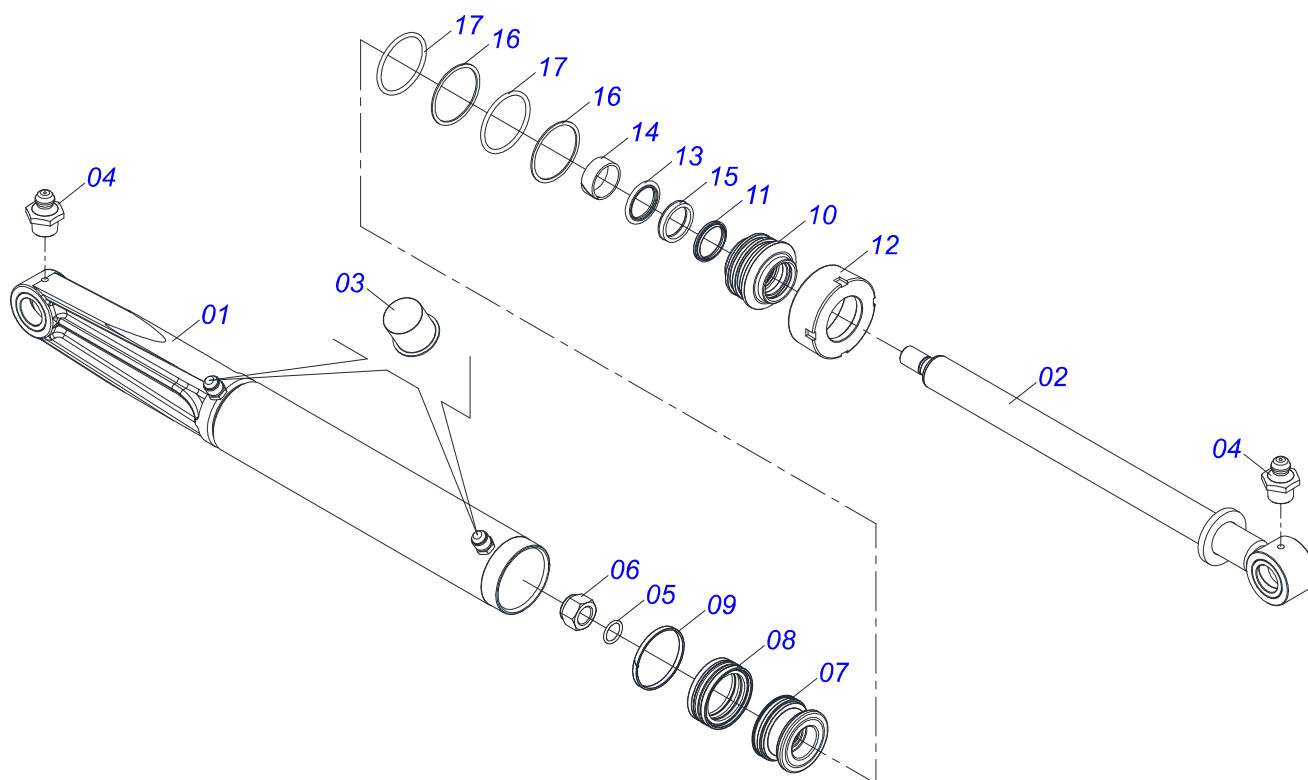
Item	Code	Description	See page	QT
01	0501014250	1.1/4" X 1540 ROD		01
02	0501010087	1.1/4" NUT		04
03	0502012180	CONICAL SPRING WASHER		02



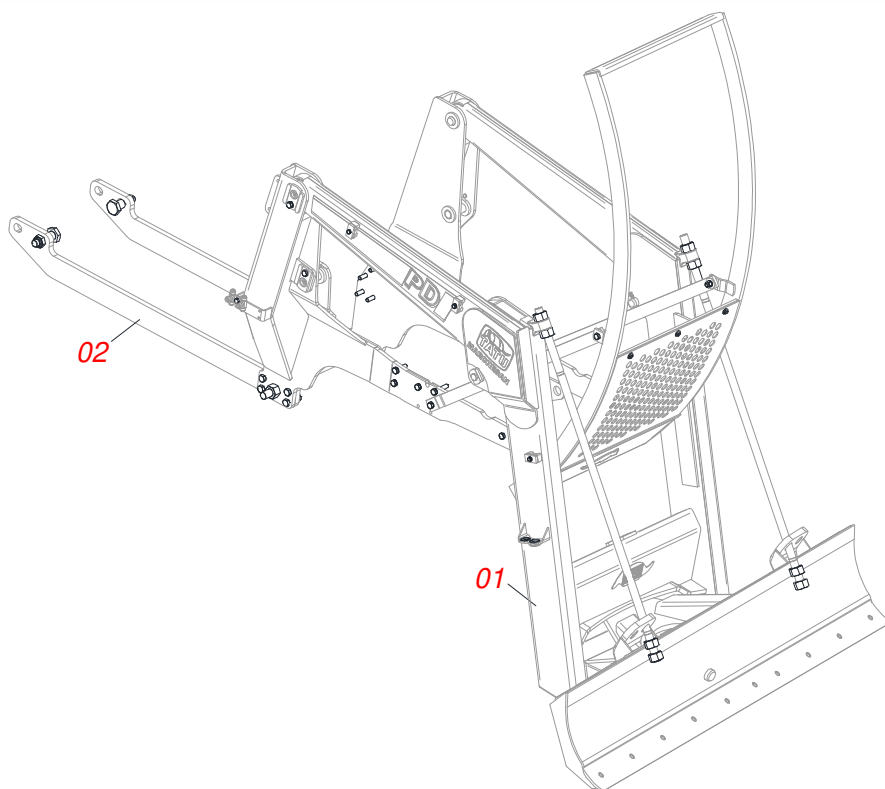
Item	Code	Description	See page	QT
01	0501067999	2390 BLADE SUPPORT		01
02	0622360016	94.5" SCRAPER REVERSIBLE		01
03	0501012240	5/8" X 2-1/2" BOLT		08
04	0501012140	FLAT WASHER		08
05	0503011445	SPRING WASHER		08
06	0503010013	5/8" NUT		08



Item	Code	Description	See page	QT
01	0503018033	37 X R.7/8 UNF 90° JIC MALE CONNECTOR WITH ROTATING NUT		01
02	0581014053	1/2 BSP X 7/8 UNF JIC X 64 ADAPTER - GATG		01
03	0503016854	VALVE ASSY		01
04	0503010045	2-116 N 3006-9B O'RING		01
05	0581014052	1/2 BSP X 7/8 UNF JIC X 43 NIPLE - PD/PCA		01
06	0503030387	PLUG		01

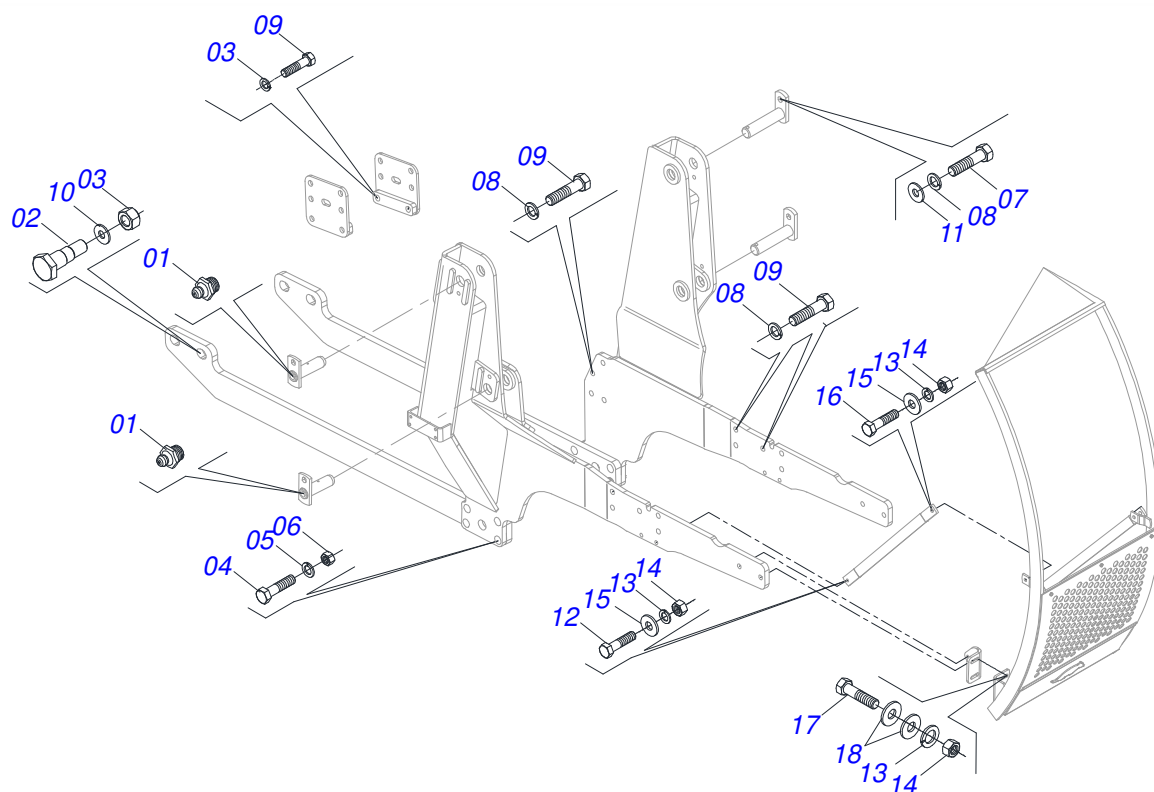


Item	Code	Description	See page	QT
001	0521062692	Ø85,72 X 510 7/8" CYLINDER - PD VTR A950		01
002	0501068208	44,45 X 670 TURNBUCKLE		01
003	0503030387	PLUG		02
004	0503010002	1800 GREASE FITTING		02
005	0503010042	2-214 N 3006-9B O'RING		01
006	0503010063	1" SELF-ALIGNING NUT		01
007	0571019710	1.7" X 3.4" PISTON		01
008	0503017935	RING		01
009	0503018144	RING		01
010	0571019711	RING SUPPORT		01
011	0503010761	D-1750 SCRAPER RING		01
012	0571019709	DETACHABLE COVER		01
013	0503017936	RING		01
014	0503017938	RING GUIDE		01
015	0503017937	GASKET		01
016	0503017940	8-337 BACK-UP RING		02
017	0503017939	2-337 N 3006-9B O' RING		02

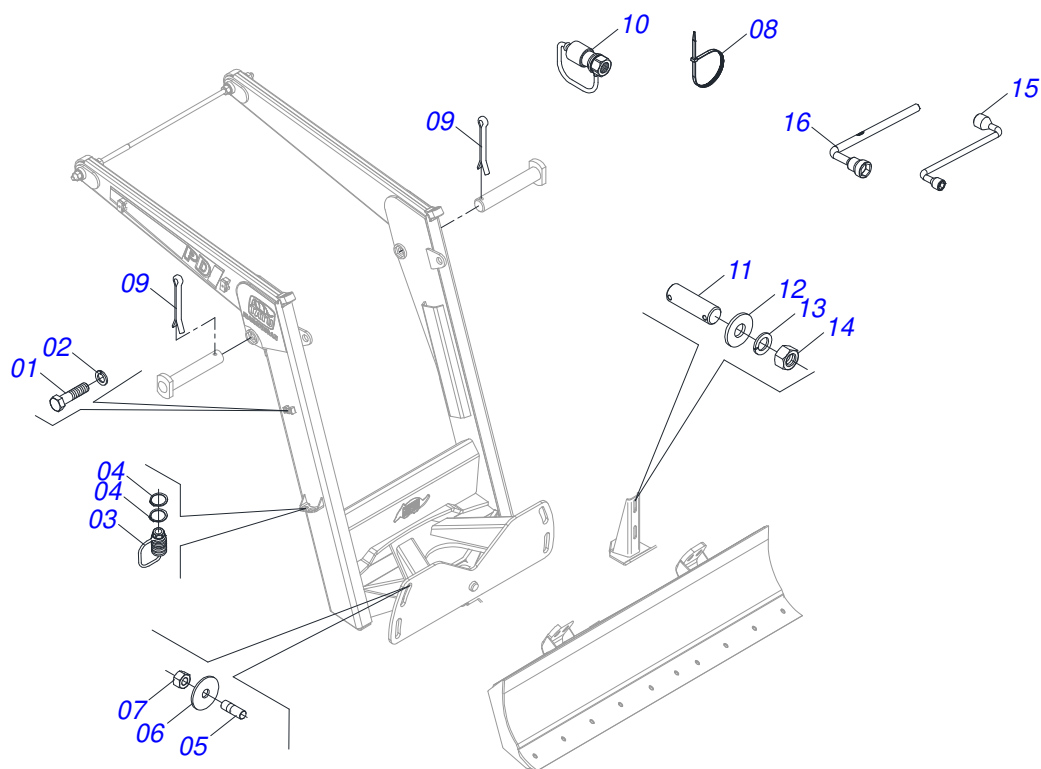


Item	Code	Description	See page	QT
01	0909099267	PACKED PARTS MOBILE SUPPORT GUIDE	15	01
02	0909099268	PACKED PARTS FRAME GUIDE	14	01

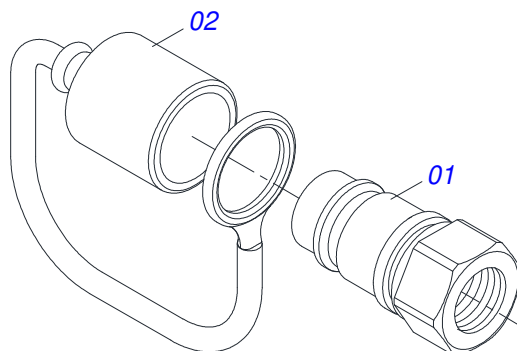




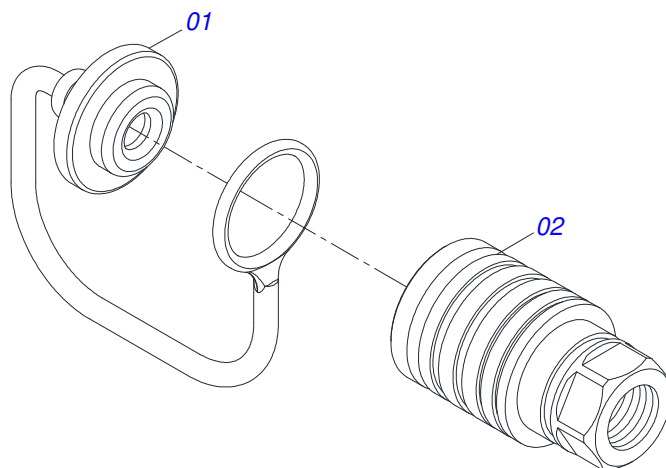
Item	Code	Description	See page	QT
01	0503010002	1800 GREASE FITTING		10
02	0571019101	1.1/4 UNF X 110 BOLT PCA-T PLUS 1500 VTR A950		02
03	0503010044	1-1/4" SELF LOCKING NUT		02
04	0501010500	3/4"X3"BOLT		08
05	0503010023	3/4" SPRING WASHER		08
06	0503010014	3/4" NUT		08
07	0503010962	5/8" X 1-1/4" BOLT		04
08	0503010027	5/8" SPRING WASHER		28
09	0503011730	M16 X 2 X 60 BOLT		18
10	0521011132	FLAT WASHER		02
11	0501012140	FLAT WASHER		04
12	0503012693	M16 X 2 X 75 BOLT		02
13	0503010027	5/8" SPRING WASHER		28
14	0503010013	5/8" NUT		10
15	0501010322	FLAT WASHER		04
16	0501010100	SCREW 5/8 UNC X 2 CS G.5 ZN		06
17	0503010233	5/8" X 2-1/2" BOLT		06
18	0501012140	FLAT WASHER		10



Item	Code	Description	See page	QT
01	0503012461	3/4" X 8" BOLT		03
02	0503010180	7/16" SPRING WASHER		03
03	0501053835	FEMALE QUICK COUPLER	17	02
04	0503010217	501040 CLAMPING RING (FOR AXLE)		04
05	0561016755	PRISONER 1 UNC X 1 UNC X 76 ZN		04
06	0501010574	FLAT WASHER		04
07	0501010059	1.5/8 NUT		04
08	0503013100	NYLON CLAMP		05
09	0503010534	3/8 X 2-1/2 COTTERPIN		02
10	0501053834	MALE QUICK COUPLER WITH CAP - 1/2 NPT	16	04
11	0561016756	3/4 UNC X 3/4 UNC X 56 PRISONER		04
12	0501010322	FLAT WASHER		04
13	0503010023	3/4" SPRING WASHER		04
14	0503010014	3/4" NUT		04
15	0501061617	1" GANG BOLT WRENCH		01
16	0501068213	5/8" WRENCH DOUBLE		01



Item	Code	Description	See page	QT
01	0503011627	MALE QUICK COUPLER AGR 1/2 NPT		01
02	0503011882	MALE QUICK COUPLER CAP		01



Item	Code	Description	See page	QT
01	0503011883	QUICK CONNECTION COVER		01
02	0503011628	FEMALE QUICK COUPLER		01





[www.marchesan.com.br](http://www.marchesan.com.br)



**Technical Publications | Elaboration and Revision**  
LORENA ROCHA ALVES