

CHISEL PLOW

EST/MATIC 300 - 13/15 ROD

Code: 0501092655
Series: S-0812
Revision: 00
Date Revision: MARÇO/2020

PARTS CATALOGUE



MARCHESAN



PRODUCTS

Code	Description
0101210001	EST/MATIC 300 13H DC RD S-0812
0101210003	EST/MATIC 300 15DC RD R/DP ADB S812
0101210002	EST/MATIC 300 15H DC RD S-0812
0101210005	EST/MATIC300 15D RD R/DP S/ADB S812

ATTENTION: IMPORTANT

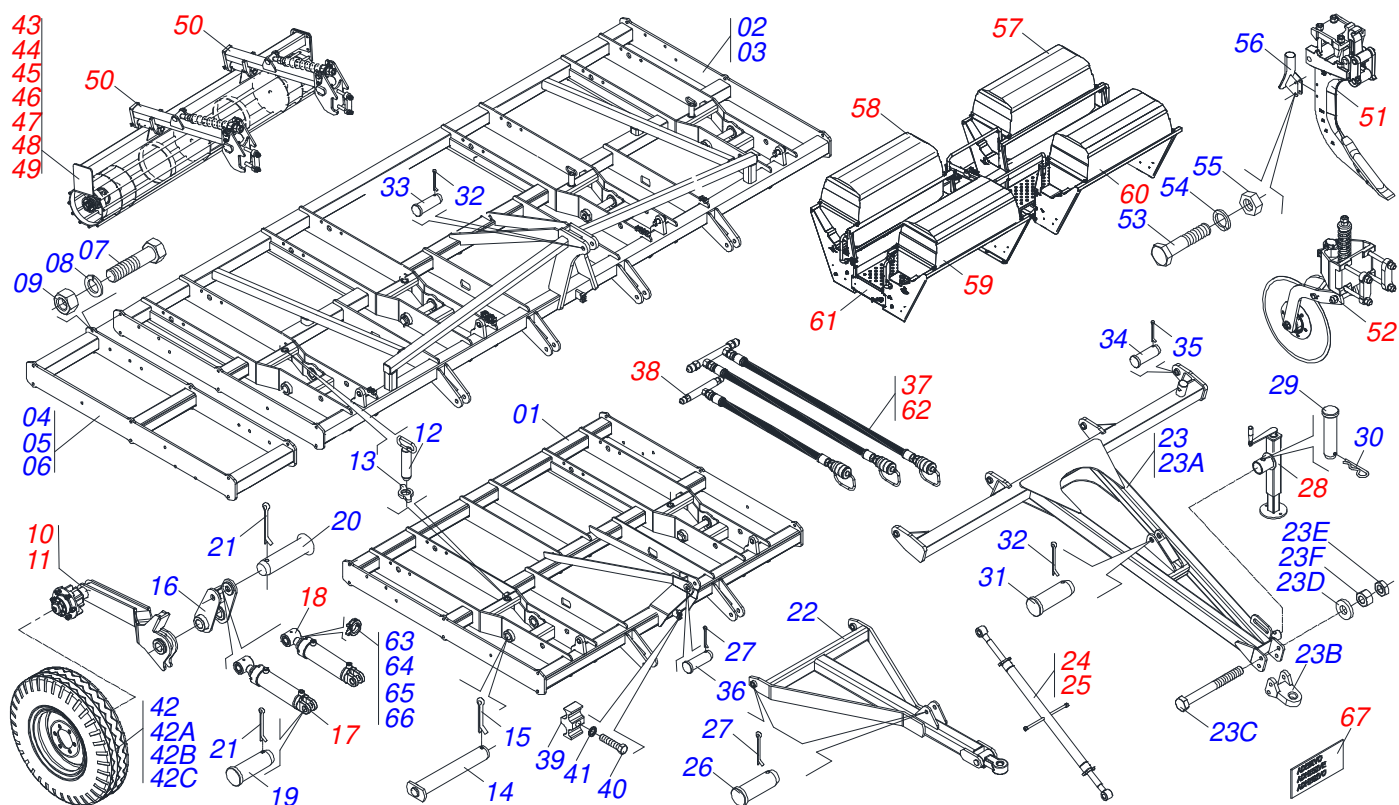
Marchesan S.A. reserves the right to improve and/or modify the technical features of its products, without obligation to do the same with those products already sold and without prior knowledge of the dealer or the consumer. The photos are only illustrative.



MARCHESAN

INDEX

0909098801	ASSY FRAME	1
0511053317	RIGHT WHEEL ASSY	2
0511053318	LEFT WHEEL ASSY	3
0521040391	HYDRAULIC CYLINDER 53,98 X 101,6 X 515 X 203	4
0521040915	HYDRAULIC CYLINDER 44,45 X 85,7 X 515 X 203	5
0521043174	DRAWBAR ASSY	6
0501047356	ESTABILIZER ASSY	7
0501054088	DRAWBAR STABILIZER ASSEMBLY	8
0511048088	DRAWBAR JACK	9
0909098807	HYDRAULIC CIRCUIT	10
0909098806	HYDRAULIC CIRCUIT	11
0501053421	VALVE MOTOR HYDRAULIC ASSY	12
0501053834	MALE QUICK COUPLER	13
0503062010	750 X 16-12L ASSY WHEEL AND TIRE	14
0521042209	BREAK ROLLER 2750	15
0521042210	BREAK ROLLER 3315 ASSY	16
0521042211	BREAK ROLLER 3950 ASSY	17
0521041585	BREAK ROLLER 2250	18
0521042252	BREAK ROLLER 2540	19
0521042269	BREAK ROLLER 2840 ASSY	20
0521042708	BREAK ROLLER3140 ASSY	21
0501042180	BEARING DUROMARK OL 192,5 X 1.1/4 IT	22
0511051871	ARM BREAK ROLLER	23
0521041963	ROD WITH ARM/DISARMENT	24
0521042014	BLADE DISC ASSY	25
0501052139	ASSY CUTTING DISK DPL18	26
0511052028	FERTILIZER BEAM SUPPORT	27
0511052029	FERTILIZER BEAM SUPPORT	28
0511052602	FERTILIZER BEAM SUPPORT	29
0511052603	LFT FERTILIZER BEAM SUPPORT	30
0511051535	RIGHT SIDE FERTILIZER DISTRIBUTOR	31
0501053788	3/4 SQUARE AXLE FASTENER	32
0909098767	PLATFORM ASSEMBLY	33
0909098805	HYDRAULIC CIRCUIT	34
0909098809	STICKER ASSY	35



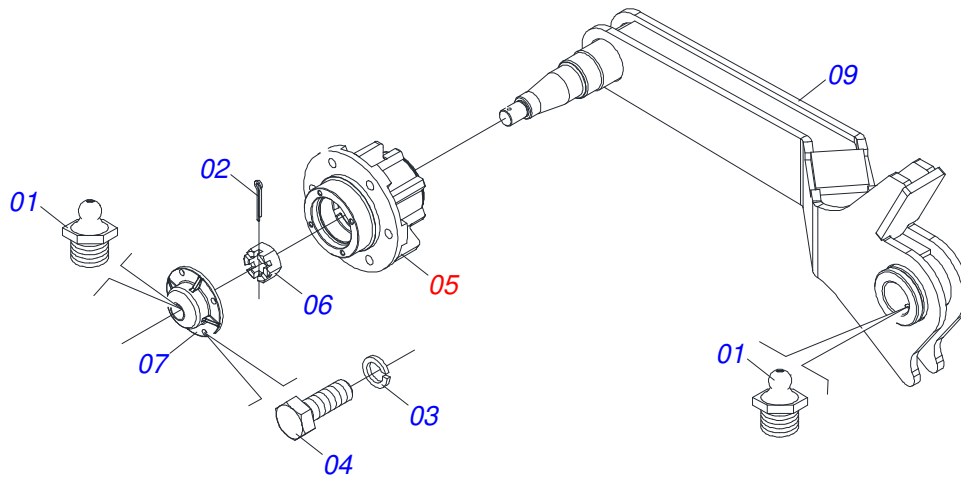
Item	Code	Description	See page	13 15 H
01	0521063241	FRAME 13		01 00
02	0521063328	FRAME 13		00 01
03	0521063277	FRAME 15		00 01
04	0521064120	EXTENSION		02 00
05	0521064487	EXTENSION		00 02
06	0521064377	EXTENSION		02 00
07	0501010125	3/4" X 2-1/2" BOLT		16 16
08	0503010023	3/4" SPRING WASHER		16 16
09	0503010014	3/4" NUT		16 16
10	0511053317	RIGHT WHEEL ASSY	2	02 02
11	0511053318	LEFT WHEEL ASSY	3	02 02
12	0521064086	ADJUSTMENT WHEEL		04 04
13	0541018672	COUNTERNUT		04 04
14	0521063252	50,85 X 332 AXLE		04 04
15	0503010073	3/8 X 3-1/2 COTTERPIN		04 04
16	0521064087	CARRYING-WHEELS PIVOT		04 04
17	0521040391	HYDRAULIC CYLINDER 53,98 X 101,6 X 515 X 203	4	02 02
18	0521040915	HYDRAULIC CYLINDER 44,45 X 85,7 X 515 X 203	5	02 02
19	0521012538	1.2" X 3.5" COUPLING SHAFT		04 04
20	0521010547	1.2" X 6.5" COUPLING SHAFT		04 04
21	0503010523	1/4" X 2" COTTERPIN		08 08
22	0501067791	DRAWBAR		01 00
23	0521043174	DRAWBAR ASSY	6	00 01
23A	0521064359	DRAWBAR		00 01
23B	0511059885	TRACTOR HITCH ASSY		00 01
23C	0501010064	1" X 9" BOLT		00 01
23D	0521013252	FLAT WASHER		00 01
23E	0503013635	1" NUT		00 01
23F	0501010059	1.5/8 NUT		00 01
24	0501047356	ESTABILIZER ASSY	7	01 02
25	0501054088	DRAWBAR STABILIZER ASSEMBLY	8	01 01



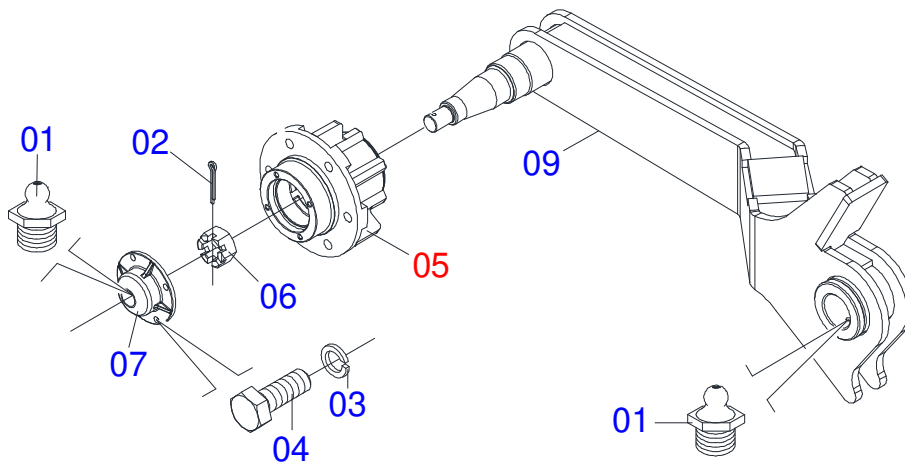
ASSY FRAME

0909098801

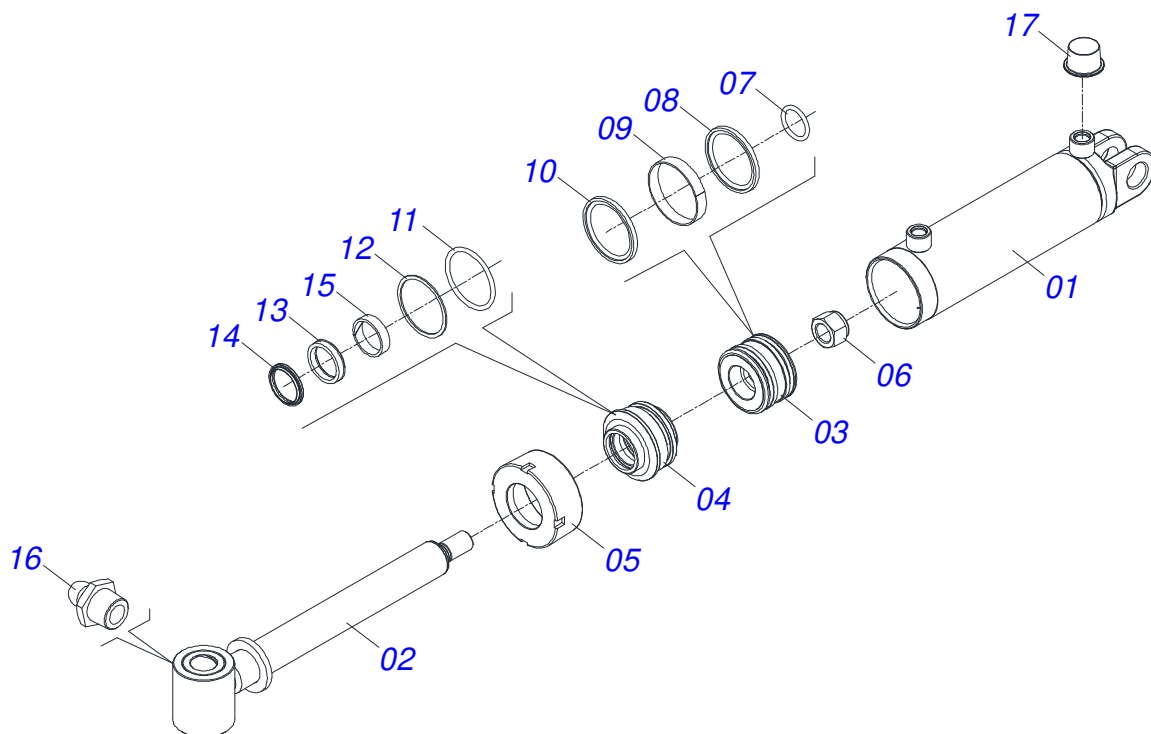
Item	Code	Description	See page	13 15 H
26	0521010578	COUPLING SHAFT		03 03
27	0503010523	1/4" X 2" COTTERPIN		04 04
28	0511048088	DRAWBAR JACK	9	01 01
29	0561014251	COUPLING SHAFT		01 01
30	0503031035	HITCH PIN CLIP		01 01
31	0521010780	1.2" X 4.5" COUPLING SHAFT		01 01
32	0503010571	1/4" X 1.1/2 COTTERPIN		02 02
33	0521012536	COUPLING SHAFT		01 01
34	0571012422	COUPLING SHAFT		04 04
35	0503010523	1/4" X 2" COTTERPIN		04 04
36	0521010582	COUPLING SHAFT		01 01
37	0909098807	HYDRAULIC CIRCUIT	10	02 02
38	0909098806	HYDRAULIC CIRCUIT	11	02 02
39	0502012702	BODY SUPPORT CLAMP		07 07
40	0503012555	SCREW 7/16 UNC X 2 CS RT G.7 ZN		07 07
41	0503010180	7/16" SPRING WASHER		07 07
42	0503062010	750 X 16-12L ASSY WHEEL AND TIRE	14	04 04
42A	0521062708	WHEEL 5,50 X 16 X 118 X 6F 16,50 X 152,40		04 04
42B	0503010033	7.50 X 16 INNER TIRE		04 04
42C	0503012864	TYRE		04 04
43	0521042209	BREAK ROLLER 2750	15	01 01
44	0521042210	BREAK ROLLER 3315 ASSY	16	01 01
45	0521042211	BREAK ROLLER 3950 ASSY	17	01 01
46	0521041585	BREAK ROLLER 2250	18	01 01
47	0521042252	BREAK ROLLER 2540	19	01 01
48	0521042269	BREAK ROLLER 2840 ASSY	20	01 01
49	0521042708	BREAK ROLLER3140 ASSY	21	01 01
50	0511051871	ARM BREAK ROLLER	23	04 04
51	0521041963	ROD WITH ARM/DISARMMENT	24	13 15
52	0521042014	BLADE DISC ASSY	25	13 15
53	0501010096	3/8" X 2" BOLT		34 44
54	0503010025	3/8" SPRING WASHER		34 44
55	0503010026	3/8" NUT		34 44
56	0521064373	FINE SEED CONDUCTOR		13 15
57	0511052028	FERTILIZER BEAM SUPPORT	27	01 01
58	0511052029	FERTILIZER BEAM SUPPORT	28	01 01
59	0511052602	FERTILIZER BEAM SUPPORT	29	01 01
60	0511052603	LFT FERTILIZER BEAM SUPPORT	30	01 01
61	0909098767	PLATFORM ASSEMBLY	33	01 01
62	0909098805	HYDRAULIC CIRCUIT	34	01 01
63	0501047895	ROD STOP		06 06
64	0501047885	ROD STOP		02 02
65	0501047886	ROD STOP		02 02
66	0501047887	ROD STOP		02 02
67	0909098809	STICKER ASSY	35	01 01



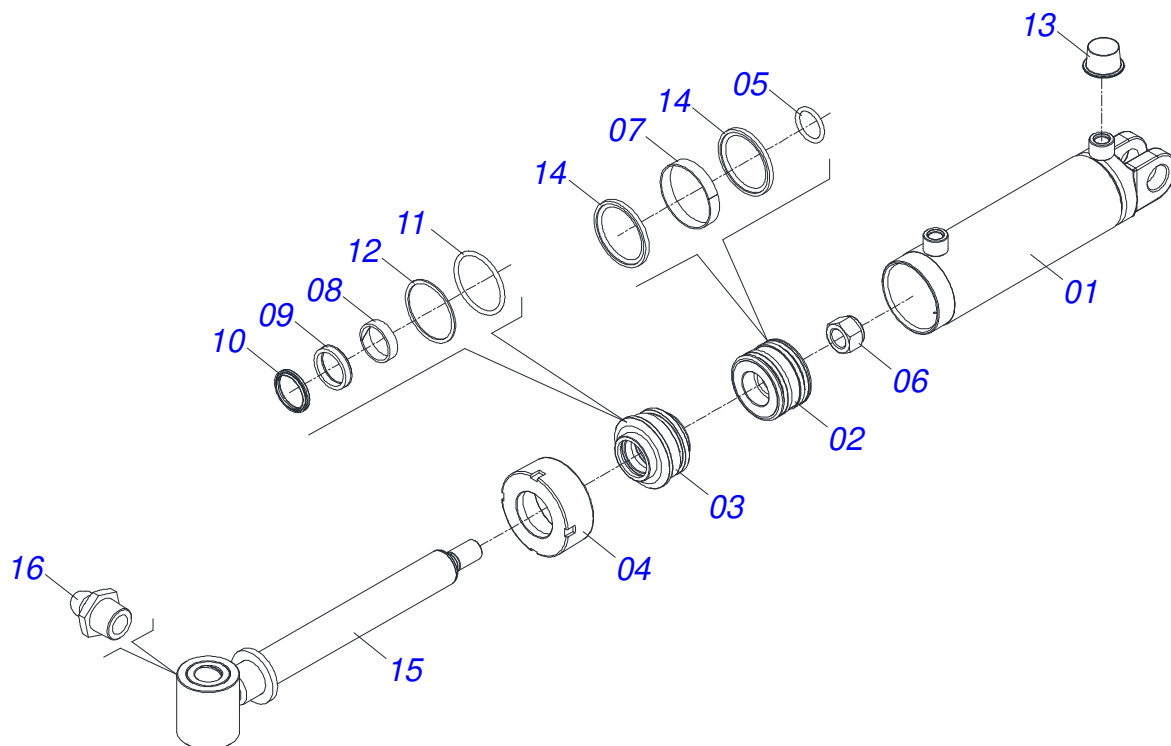
Item	Code	Description	See page	QT
001	0503010002	1800 GREASE FITTING		02
002	0503010018	5/32 X 1-1/2 COTTERPIN		01
003	0503011444	SPRING WASHER		04
004	0503010358	5/16" X 5/8" BOLT		04
005	0501051142	CARRYING WHEEL HUB		01
006	0503030009	1" CASTLE NUT		01
007	0502020591	PROTECCION COVER		01
008	0501016545	FLAT WASHER		01
009	0521064084	WHEELS RIGHT EST/MATIC 300		01



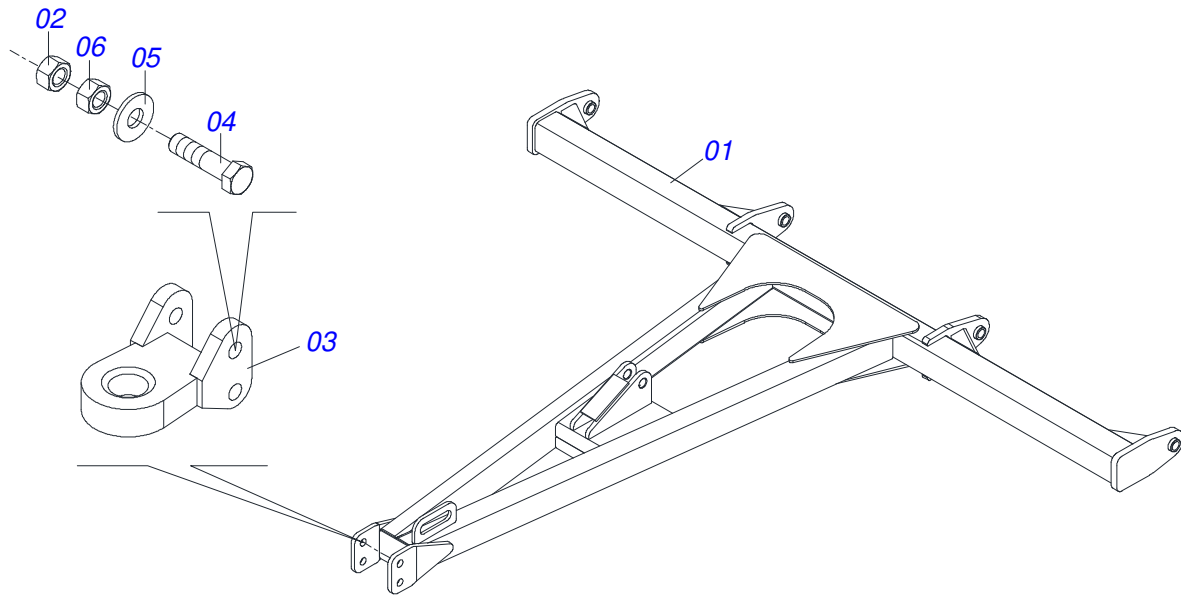
Item	Code	Description	See page	QT
001	0503010002	1800 GREASE FITTING		02
002	0503010018	5/32 X 1-1/2 COTTERPIN		01
003	0503011444	SPRING WASHER		04
004	0503010358	5/16" X 5/8" BOLT		04
005	0501051142	CARRYING WHEEL HUB		01
006	0503030009	1" CASTLE NUT		01
007	0502020591	PROTECCION COVER		01
008	0501016545	FLAT WASHER		01
009	0521064085	CARRYNG-WHEELS LEFT EST/MATIC 300		01



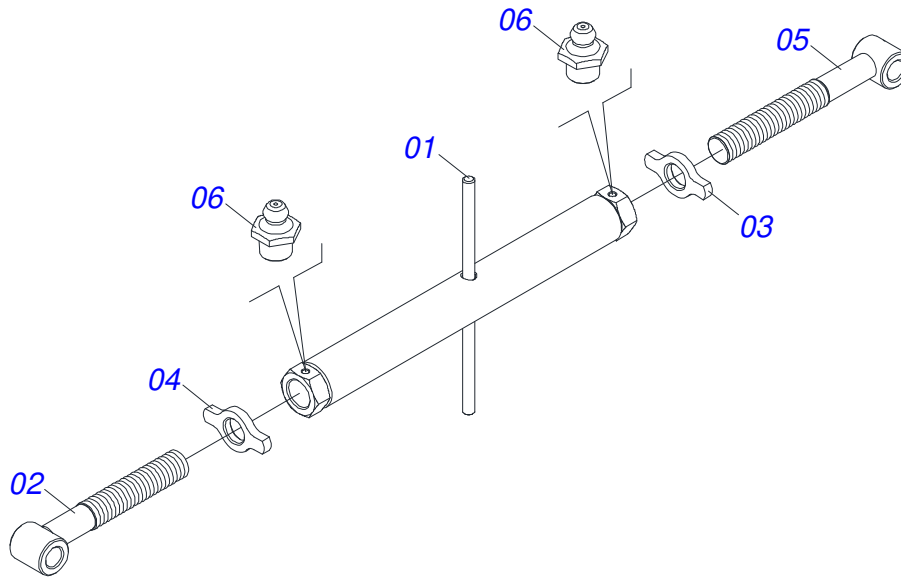
Item	Code	Description	See page	QT
01	0511068373	101,6 X 203 CYLINDER CASE		01
02	0521062882	53,98 X 448 TURNBUCKLE		01
03	0502011249	PISTON		01
04	0502011250	RING OF SUPPORT		01
05	0502010017	4" HEAD		01
06	0503010817	1.1/4" SELF LOCKING NUT		01
07	0503010345	2-218 N 3006-9B O'RING		01
08	0503012725	GASKET		01
09	0503010994	W2-4000-500 PK RING G.E		01
10	0503010043	PACKING 3750-3250		01
11	0503010338	2-342 N 3006-9B O'RING		01
12	0503011061	8-342 BACK-UP RING		01
13	0503010319	D-2125 SCRAPER		01
14	0503010314	GASKET		01
15	0503010973	W2-2500-500 PK O'RING G.E		01
16	0503010002	1800 GREASE FITTING		01
17	0503030384	CON PLUG N-001		02
18	0511031218	CYLINDER REPAIR KIT 53,98 X 101,6		01



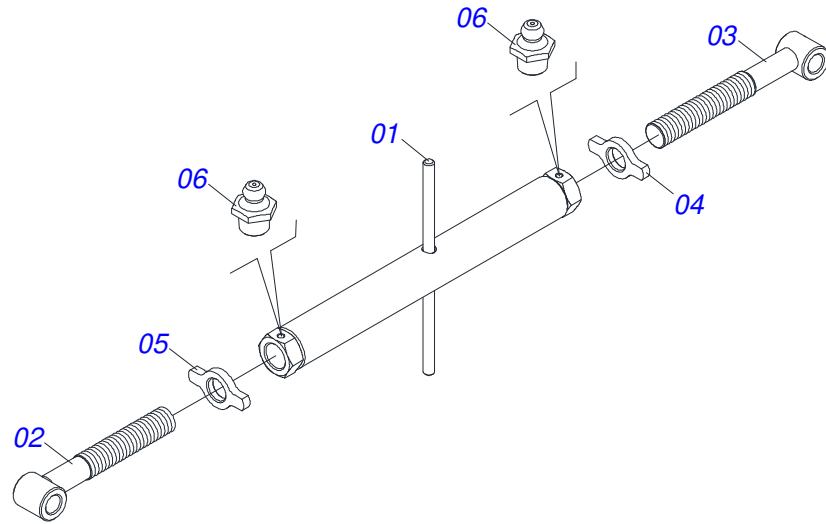
Item	Code	Description	See page	QT
01	0511068372	85,72 X 203 CYLINDER CASE		01
02	0502011847	1.7" X 3.4" PISTON		01
03	0502010781	RING SUPPORT		01
04	0502010993	DETACHABLE COVER		01
05	0503010042	2-214 N 3006-9B O'RING		01
06	0503010063	1" SELF-ALIGNING NUT		01
07	0503010948	W4-3346-590 PK RING G.E		01
08	0503010949	W2-2000-500 PK RING G.E		01
09	0503010990	GASKET		01
10	0503010761	D-1750 SCRAPER RING		01
11	0503010976	2-336 N 3006-9B O'RING		01
12	0503011060	8-336 BACK-UP RING		01
13	0503030384	CON PLUG N-001		02
14	0503012509	GASKET		02
15	0521063254	44,45 X 450 TURNBUCKLE		01
16	0503010002	1800 GREASE FITTING		01
17	0501035169	CYLINDER REPAIR KIT 44,45 X 85,72		01



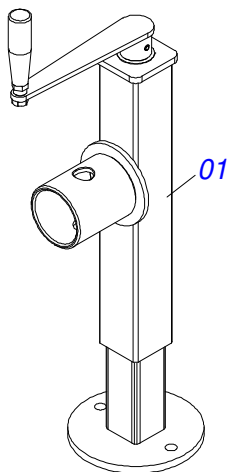
Item	Code	Description	See page	QT
01	0521064359	DRAWBAR		01
02	0501010059	1.5/8 NUT		02
03	0511068234	TRACTOR HITCH		01
04	0501010064	1" X 9" BOLT		02
05	0521013252	FLAT WASHER		02
06	0503013635	1" NUT		02



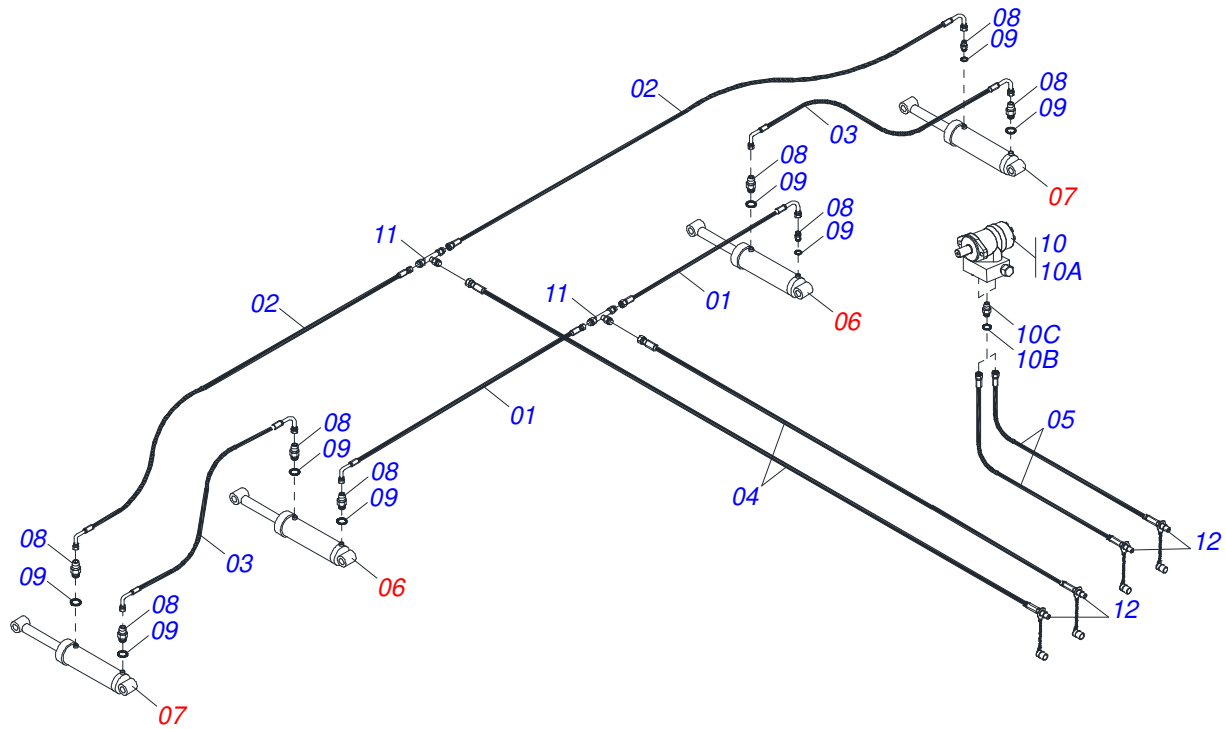
Item	Code	Description	See page	QT
01	0501068095	850 ADJUSTMENT NUT		01
02	0501068096	RIGTH TURNBUCKLE		01
03	0541018673	COUNTERNUT		01
04	0541018672	COUNTERNUT		01
05	0501068097	LEFT TURNBUCKLE		01
06	0503010002	1800 GREASE FITTING		02



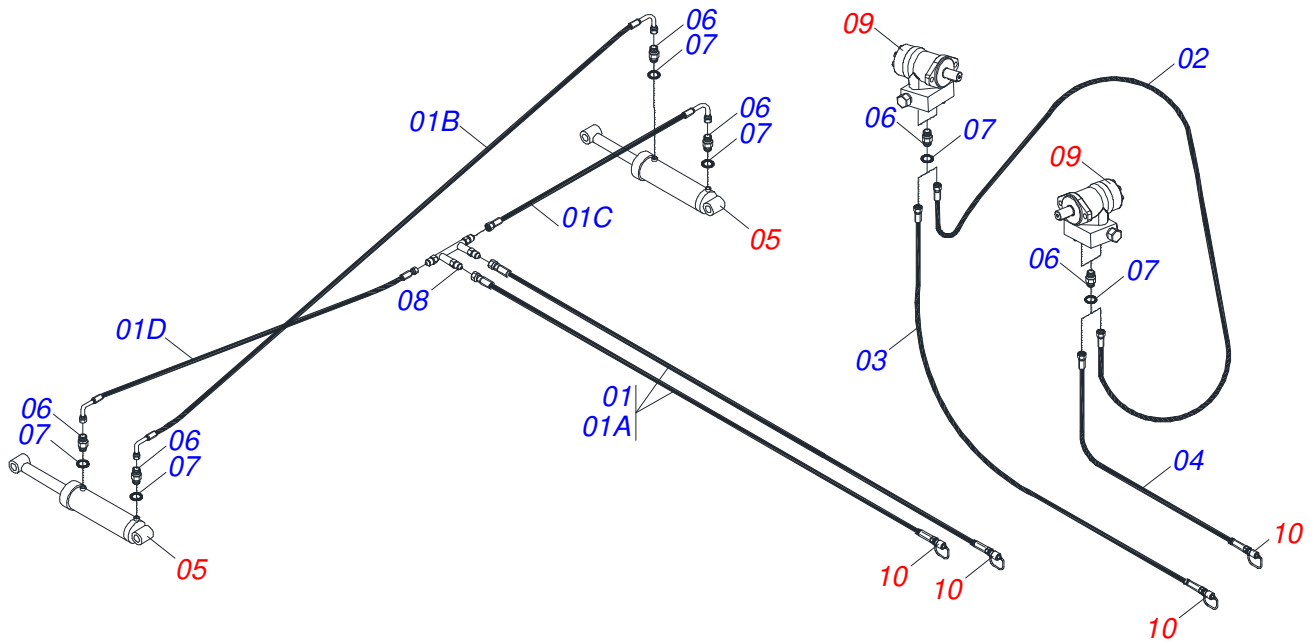
Item	Code	Description	See page	QT
01	0511063786	EXTENDER 950		01
02	0511063787	RIGHT EXTENDER SPINDLE R1.1/2 X 432		01
03	0511063788	LEFT EXTENDER SPINDLE R1.1/2 X 432		01
04	0541018672	COUNTERNUT		01
05	0541018673	COUNTERNUT		01
06	0503010002	1800 GREASE FITTING		02



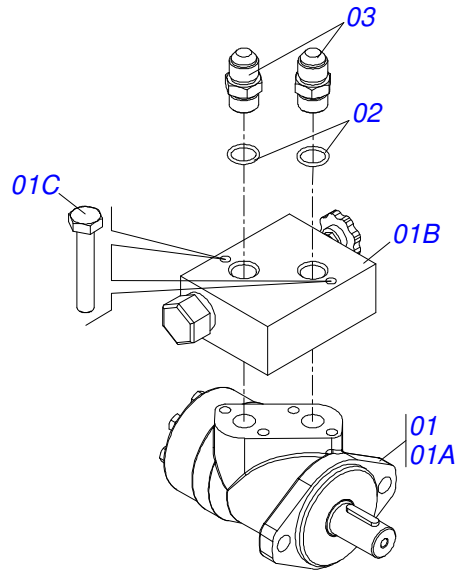
Item	Code	Description	See page	QT
01	0503062227	DRAWBAR JACK		01



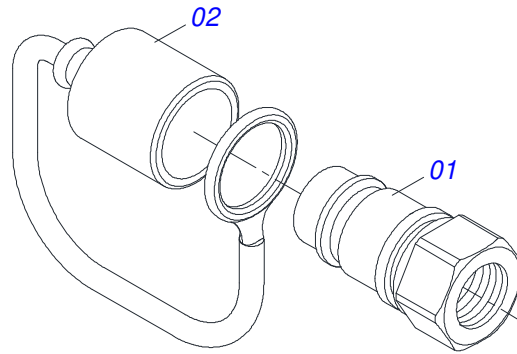
Item	Code	Description	See page	QT
01	0501080485	3/8 X 1100 TR-TC HOSE		02
02	0501080389	3/8" X 126" TC-TC HOSE ASSY		02
03	0501080359	3/8" X 78.7" TR-TC HOSE ASSY		02
04	0501080510	HOSE 3/8 X 3500 TR-TM		02
05	0501080350	HOSE 1/2 X 4500 TC-TM		02
06	0521040391	HYDRAULIC CYLINDER 53,98 X 101,6 X 515 X 203	4	02
07	0521040915	HYDRAULIC CYLINDER 44,45 X 85,7 X 515 X 203	5	02
08	0501010617	3/4" NIPPLE		08
09	0503010190	2-114 N 3006-9B O'RING		08
10	0501053421	VALVE MOTOR HYDRAULIC ASSY	12	01
10A	0503012829	VALVE HYDRAULIC MOTOR ASSY		01
10B	0503010045	O'RING		02
10C	0501010590	NIPPLE		02
11	0501072676	OIL DISTRIBUTOR BODY		02
12	0501053834	MALE QUICK COUPLER	13	04



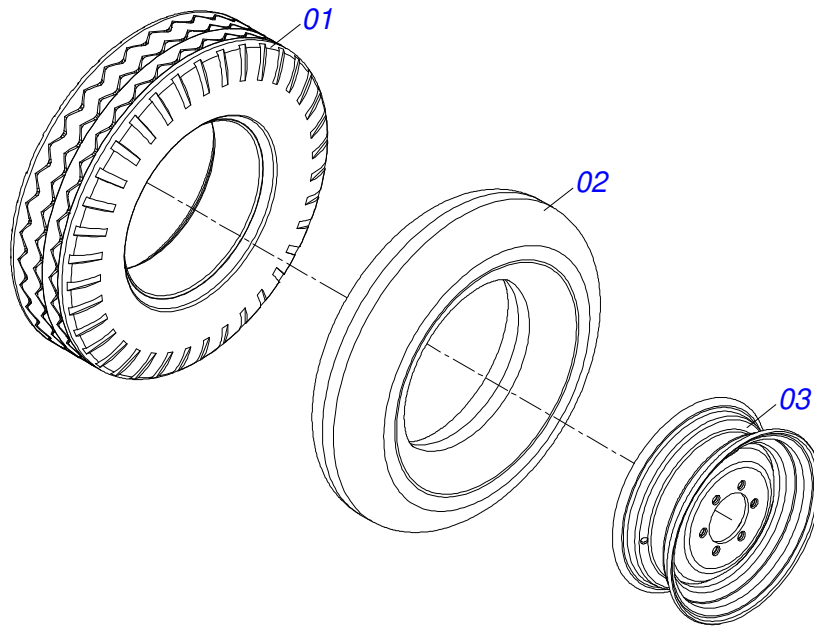
Item	Code	Description	See page	QT
01	0511053672	ASSY HOSE		01
01A	0501080384	TR-TM HOSE ASSY		02
01B	0501080746	TC-TC HOSE ASSY		01
01C	0501080436	3/8 X 1600 TR-TC HOSE		01
01D	0501080348	3/8 X 1200 TR-TC HOSE		01
01E	0503033158	PLASTIC BAG		01
02	0501081686	HOSE		01
03	0501081909	TR-TM HOSE ASSY		01
04	0501081911	HOSE 1/2 X 7500 TR-TM		01
05	0521040915	HYDRAULIC CYLINDER 44,45 X 85,7 X 515 X 203	5	02
06	0501010617	3/4" NIPPLE		04
07	0503010190	2-114 N 3006-9B O'RING		08
08	0501068088	OIL TUBE		01
09	0501053421	VALVE MOTOR HYDRAULIC ASSY	12	02
10	0501053834	MALE QUICK COUPLER	13	04



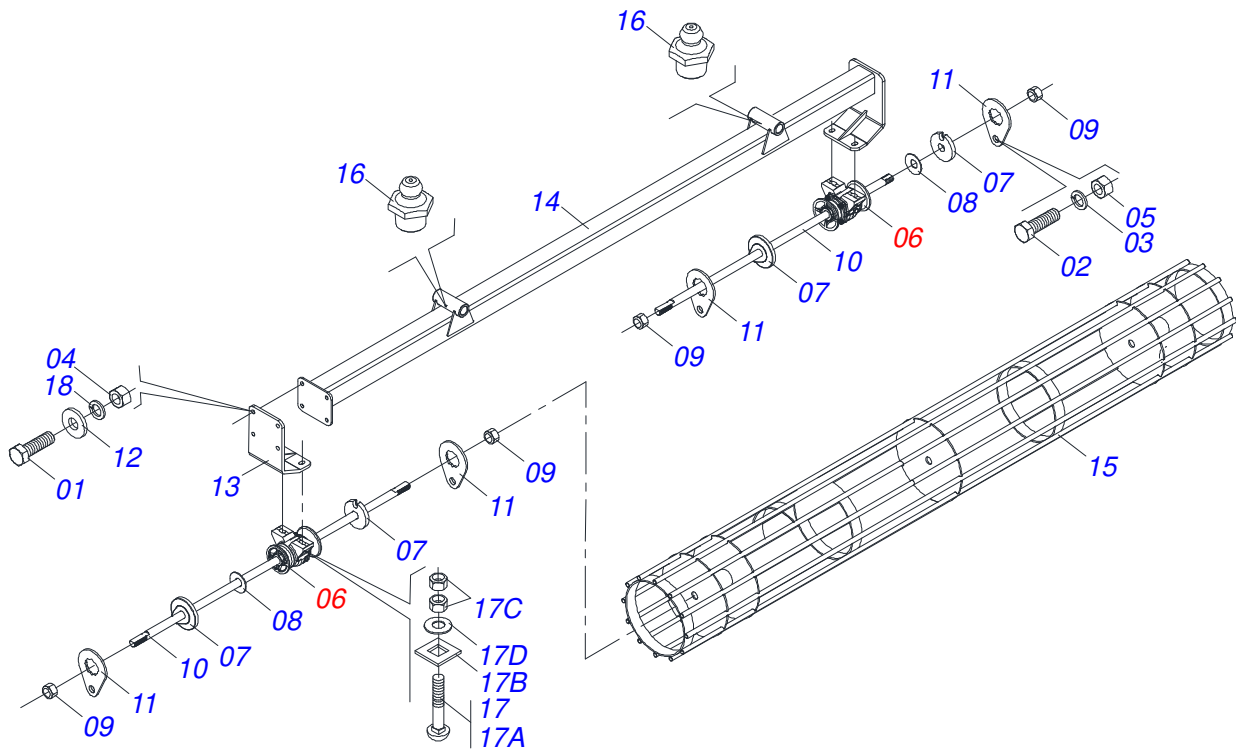
Item	Code	Description	See page	QT
01	0503012829	VALVE HYDRAULIC MOTOR ASSY		01
01A	0503014364	MOTOR W/ AXLE		01
01B	0503014365	VALVE		01
01C	0503010373	SCREW 1/4 UNC X 2 CS G.2 ZN		02
02	0503010045	O'RING		02
03	0501010590	NIPPLE		02



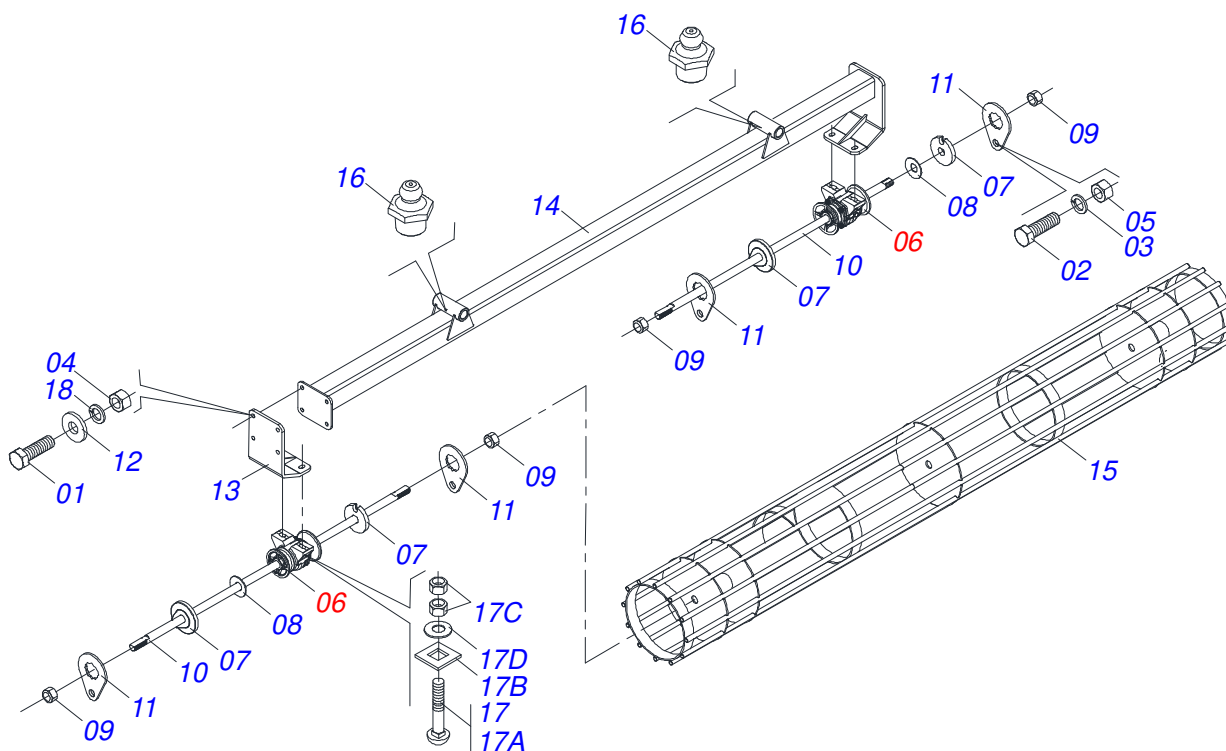
Item	Code	Description	See page	QT
01	0503011627	MALE QUICK COUPLER AGR 1/2 NPT		01
02	0503011882	MALE QUICK COUPLER CAP		01



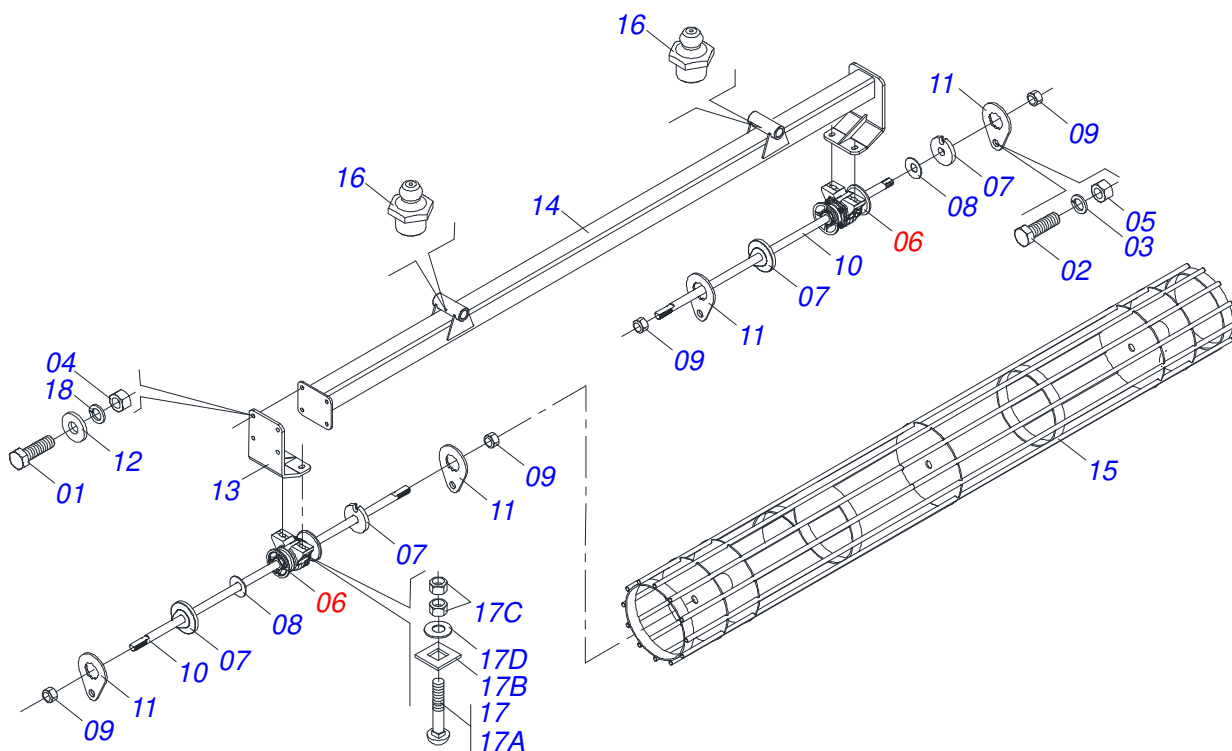
Item	Code	Description	See page	QT
01	0503012864	TYRE		01
02	0503010033	7.50 X 16 INNER TIRE		01
03	0521062708	WHEEL 5,50 X 16 X 118 X 6F 16,50 X 152,40		01



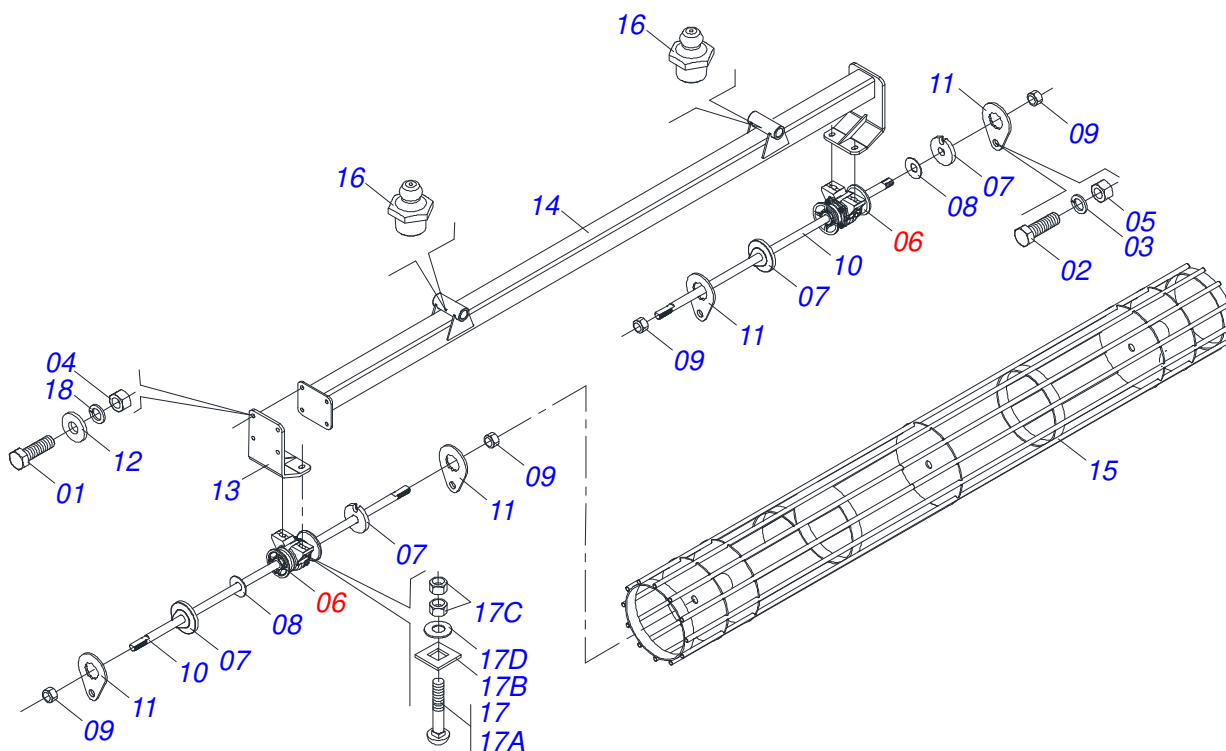
Item	Code	Description	See page	QT
001	0501010100	SCREW 5/8 UNC X 2 CS G.5 ZN		04
002	0501010161	1/2" X 1.1/4" BOLT		04
003	0503011440	SPRING WASHER		04
004	0503010013	5/8" NUT		04
005	0503010060	1/2" NUT		04
006	0501042180	BEARING DUROMARK OL 192,5 X 1.1/4 IT	22	02
007	1902010835	1-1/4" EXTERNAL AXLE WASHER		04
008	0531018575	WASHER CONCAVE		02
009	0501010087	1.1/4" NUT		04
010	0501010752	1.1/4" X 500 AXLE		02
011	0501010455	1.1/4" NUT LOCK		04
012	0501012140	FLAT WASHER		04
013	0521062673	BRACKET MOBILE FIXER ROLLER		01
014	0521064116	2715 BREAK ROLLER SUPPORT		01
015	0521064115	BREAK ROLLER 2540		01
016	0503010002	1800 GREASE FITTING		02
017	0501058802	5/8 UNC X 2.3/4 BOLT ASSY		04
017A	0503015154	5/8" X 2.3/4" BOLT		01
017B	0501010947	5/8 NUT LOCK		01
017C	0503010013	5/8" NUT		02
017D	0501012140	FLAT WASHER		01
018	0503010027	5/8" SPRING WASHER		04



Item	Code	Description	See page	QT
001	0501010100	SCREW 5/8 UNC X 2 CS G.5 ZN		04
002	0501010161	1/2" X 1.1/4" BOLT		04
003	0503011440	SPRING WASHER		04
004	0503010013	5/8" NUT		04
005	0503010060	1/2" NUT		04
006	0501042180	BEARING DUROMARK OL 192,5 X 1.1/4 IT	22	02
007	1902010835	1-1/4" EXTERNAL AXLE WASHER		04
008	0531018575	WASHER CONCAVE		02
009	0501010087	1.1/4" NUT		04
010	0501010752	1.1/4" X 500 AXLE		02
011	0501010455	1.1/4" NUT LOCK		04
012	0501012140	FLAT WASHER		04
013	0521062673	BRACKET MOBILE FIXER ROLLER		01
014	0521063280	2250 BREAK ROLLER SUPPORT		01
015	0521063279	BREAK ROLLER 2250		01
016	0503010002	1800 GREASE FITTING		02
017	0501058802	5/8 UNC X 2.3/4 BOLT ASSY		04
017A	0503015154	5/8" X 2.3/4" BOLT		01
017B	0501010947	5/8 NUT LOCK		01
017C	0503010013	5/8" NUT		02
017D	0501012140	FLAT WASHER		01
018	0503010027	5/8" SPRING WASHER		04



Item	Code	Description	See page	QT
001	0501010100	SCREW 5/8 UNC X 2 CS G.5 ZN		04
002	0501010161	1/2" X 1.1/4" BOLT		04
003	0503011440	SPRING WASHER		04
004	0503010013	5/8" NUT		04
005	0503010060	1/2" NUT		04
006	0501042180	BEARING DUROMARK OL 192,5 X 1.1/4 IT	22	02
007	1902010835	1-1/4" EXTERNAL AXLE WASHER		04
008	0531018575	WASHER CONCAVE		02
009	0501010087	1.1/4" NUT		04
010	0501010752	1.1/4" X 500 AXLE		02
011	0501010455	1.1/4" NUT LOCK		04
012	0501012140	FLAT WASHER		04
013	0521062673	BRACKET MOBILE FIXER ROLLER		01
014	0521064134	2540 BREAK ROLLER SUPPORT		01
015	0521064133	BREAK ROLLER 2540		01
016	0503010002	1800 GREASE FITTING		02
017	0501058802	5/8 UNC X 2.3/4 BOLT ASSY		04
017A	0503015154	5/8" X 2.3/4" BOLT		01
017B	0501010947	5/8 NUT LOCK		01
017C	0503010013	5/8" NUT		02
017D	0501012140	FLAT WASHER		01
018	0503010027	5/8" SPRING WASHER		04

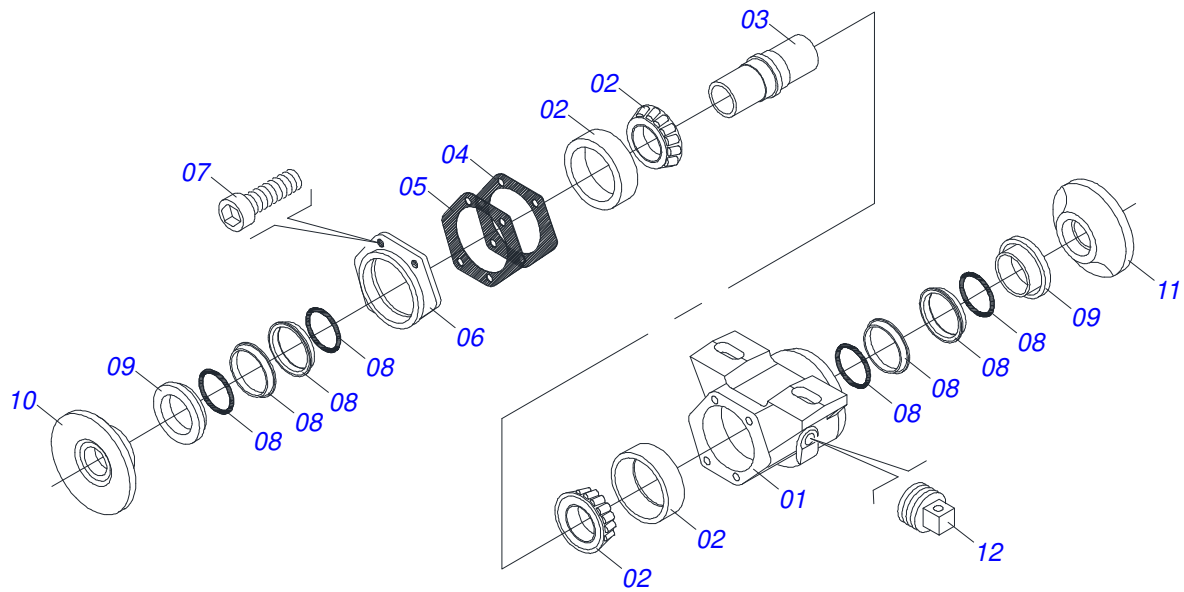


Item	Code	Description	See page	QT
001	0501010100	SCREW 5/8 UNC X 2 CS G.5 ZN		04
002	0501010161	1/2" X 1.1/4" BOLT		04
003	0503011440	SPRING WASHER		04
004	0503010013	5/8" NUT		04
005	0503010060	1/2" NUT		04
006	0501042180	BEARING DUROMARK OL 192,5 X 1.1/4 IT	22	02
007	1902010835	1-1/4" EXTERNAL AXLE WASHER		04
008	0531018575	WASHER CONCAVE		02
009	0501010087	1.1/4" NUT		04
010	0501010752	1.1/4" X 500 AXLE		02
011	0501010455	1.1/4" NUT LOCK		04
012	0501012140	FLAT WASHER		04
013	0521062673	BRACKET MOBILE FIXER ROLLER		01
014	0521064158	2840 BREAK ROLLER SUPPORT		01
015	0521064157	BREAK ROLLER 2840		01
016	0503010002	1800 GREASE FITTING		02
017	0501058802	5/8 UNC X 2.3/4 BOLT ASSY		04
017A	0503015154	5/8" X 2.3/4" BOLT		01
017B	0501010947	5/8 NUT LOCK		01
017C	0503010013	5/8" NUT		02
017D	0501012140	FLAT WASHER		01
018	0503010027	5/8" SPRING WASHER		04



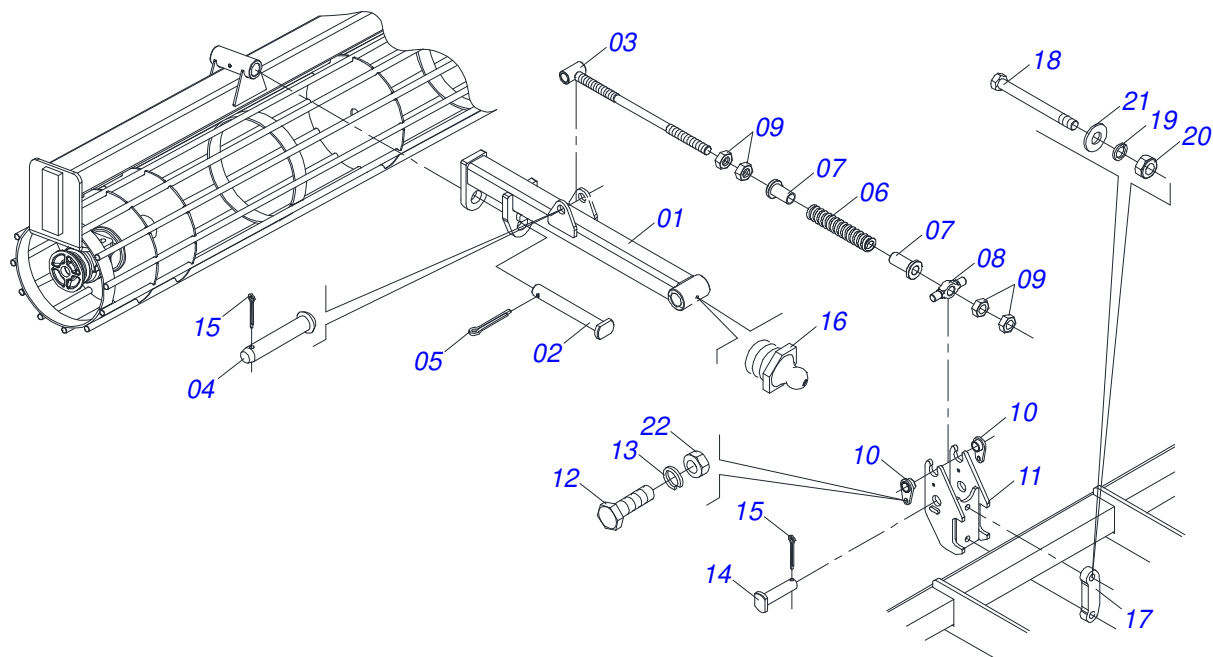
EST/MATIC 300 - 13/15 ROD
BREAK ROLLER3140 ASSY

Item	Code	Description	See page	09	11	13	13	15	17	19	21
20	0501010087	1.1/4" NUT		02	02	02	04	04	04	04	04
21	0501010752	1.1/4" X 500 AXLE		02	02	02	04	04	04	04	04
22	0501010455	1.1/4" NUT LOCK		02	02	02	04	04	04	04	04
23	0521064116	2715 BREAK ROLLER SUPPORT		01	00	00	00	00	00	00	00
24	0521064119	3315 BREAK ROLLER SUPPORT		00	01	00	00	00	00	00	00
25	0521064122	3950 BREAK ROLLER SUPPORT		00	00	01	00	00	00	00	00
26	0521063259	1950 BREAK ROLLER SUPPORT		00	00	00	02	00	00	00	00
27	0521063280	2250 BREAK ROLLER SUPPORT		00	00	00	00	02	00	00	00
28	0521064134	2540 BREAK ROLLER SUPPORT		00	00	00	00	00	02	00	00
29	0521064158	2840 BREAK ROLLER SUPPORT		00	00	00	00	00	00	02	00
30	0521064366	3150 BREAK ROLLER SUPPORT		00	00	00	00	00	00	00	02
31	0521062673	BRACKET MOBILE FIXER ROLLER		01	01	01	02	02	02	02	02

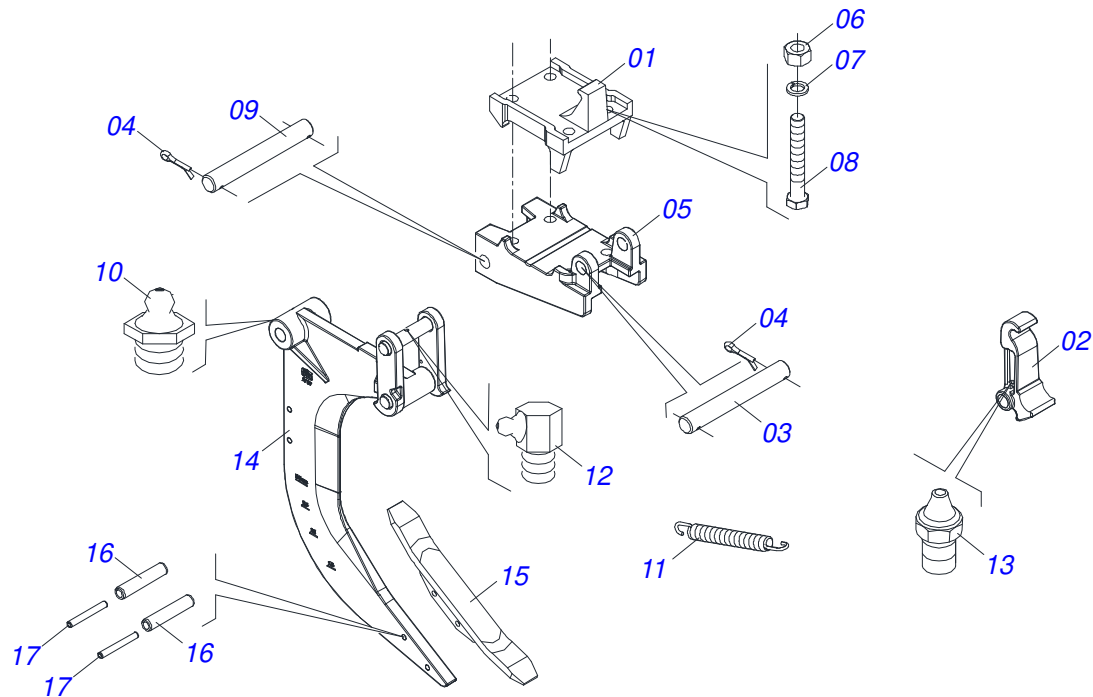


Item	Code	Description	See page	QT
01	0502010539	HOUSING DM		01
02	0503010111	30210 ROLLER BEARING		02
03	0502040218	AXLE		01
04	0503030013	4.4" X 3.5" X 0.004" JOINT		02
05	0503030684	4.4" X 3.5" X 0.004" JOINT		01
06	0502020424	HOUSING CAP		01
07	0503010134	3/8" X 1" BOLT		04
08	0503030026	SEAL LP JB-253		02
09	0502010541	SEAL RETAINER		02
10	0502010070	OUTER FLANGE		01
11	0502010071	INNER FLANGE		01
12	0503010856	OIL PLUG		01

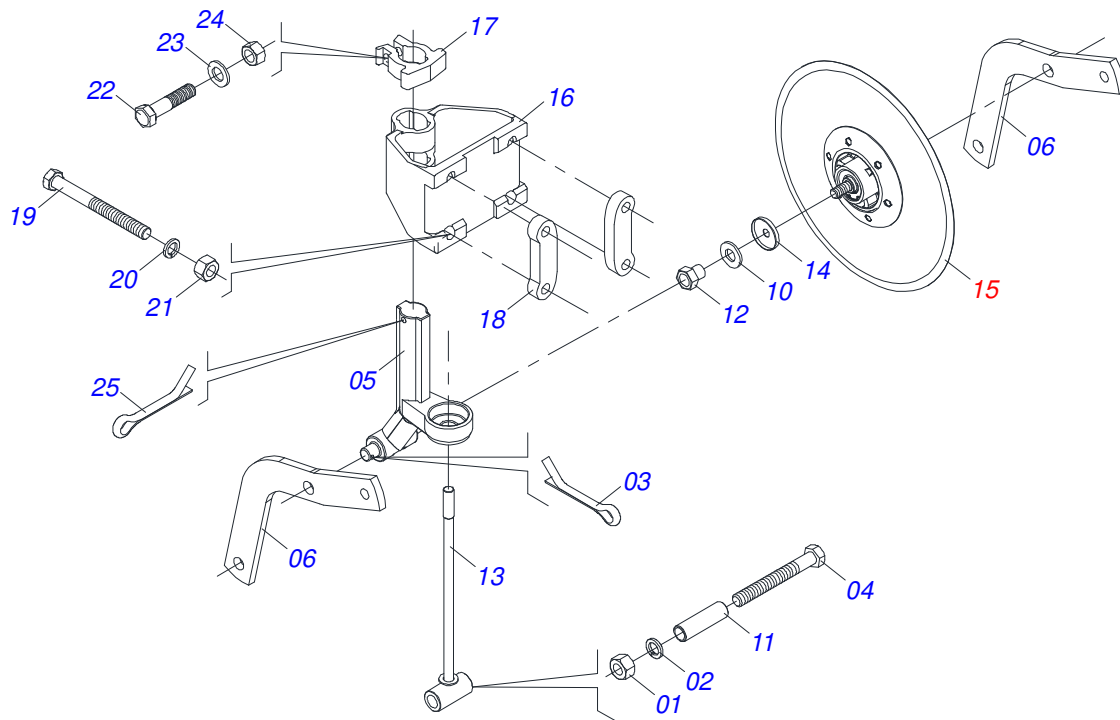
ARM BREAK ROLLER



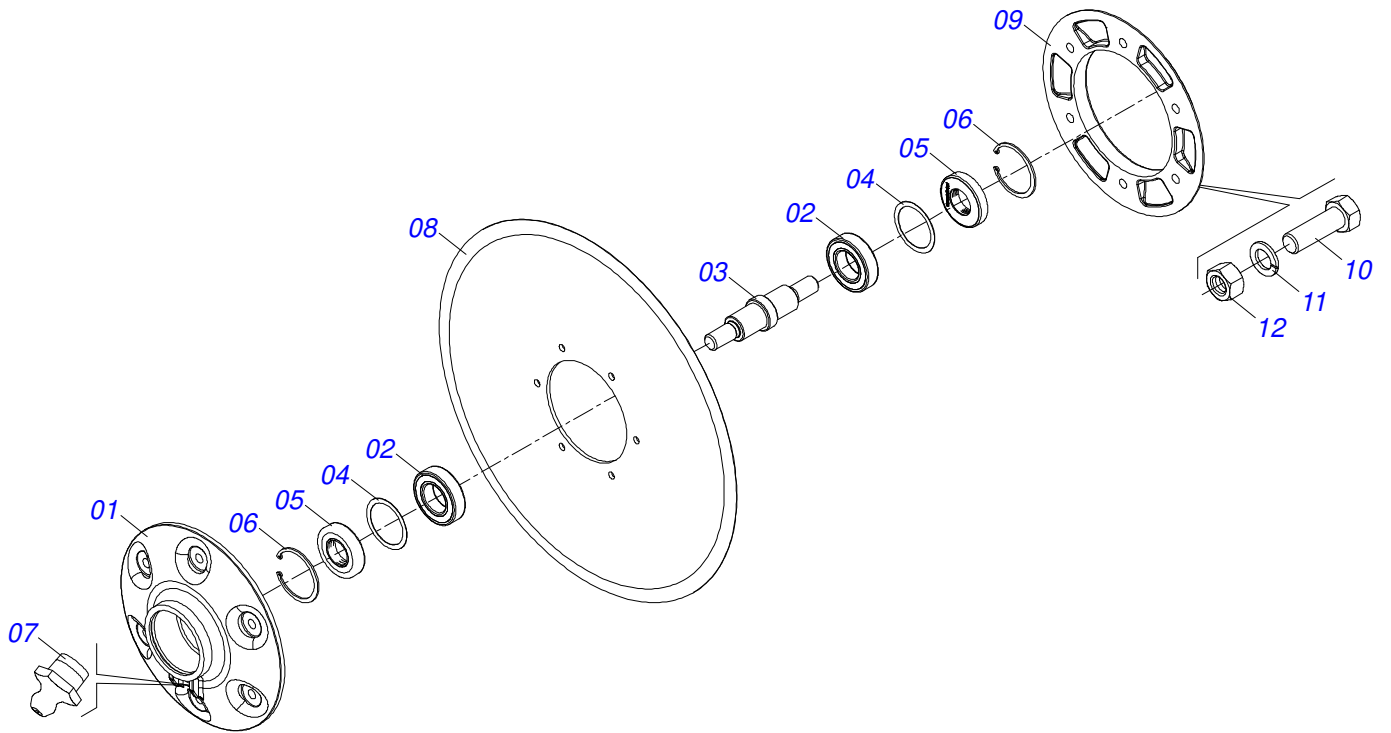
Item	Code	Description	See page	QT
00	0511051871	ARM BREAK ROLLER	23	01
01	0521063139	ARM ROLLER		01
02	0521010808	1.4" X 5.8" COUPLING SHAFT		01
03	0521063150	ASSY		01
04	0521010578	COUPLING SHAFT		01
05	0503010523	1/4" X 2" COTTERPIN		01
06	0503031575	2.5"X 12" X 0.5" COMPRESSION SPRING		01
07	0571011377	SPRING GUIDES SLEVE		02
08	0571011378	TRUNNION ARTICULATOR SPRING ROD		01
09	0501010059	1.5/8 NUT		04
10	0521063151	TRUNNION LOCK ARTICULATOR SPRING ROD		02
11	0521063134	FIXER ROLL		01
12	0503010920	1/2" X 1.1/2" BOLT		02
13	0503010019	1/2" SPRING WASHER		02
14	0521062685	ARTICULATION AXIS		01
15	0503012267	5/16" X 3" COTTER PIN		02
16	0503010002	1800 GREASE FITTING		01
17	0571011609	FIXER PLATE CUTTING DISC		01
18	0503014744	3/4 UNF X 7.1/2 C S G.7 ZN BOLT		02
19	0503010023	3/4" SPRING WASHER		02
20	0503010335	3/4"NUT		02
21	0511019685	FLAT WASHER		02
22	0503010060	1/2" NUT		02



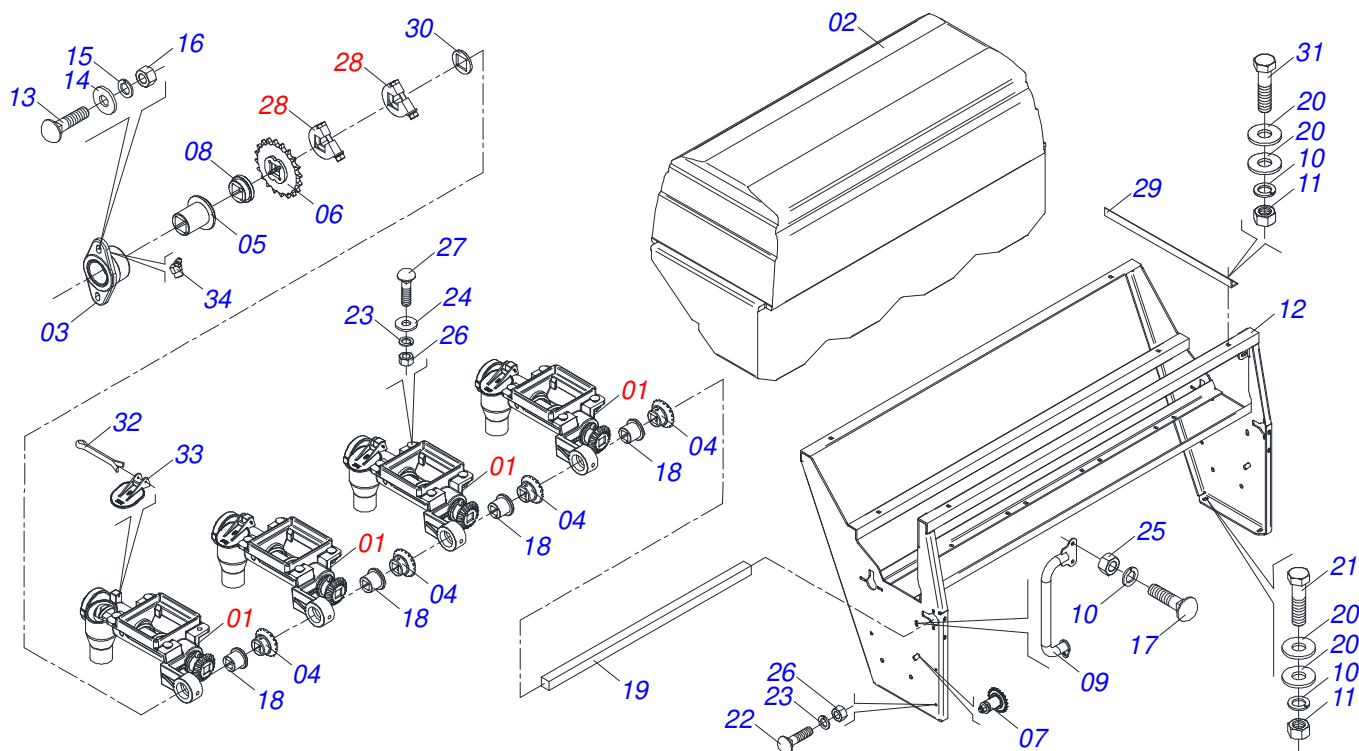
Item	Code	Description	See page	QT
001	0502011861	FIXER BASE UPPER		01
002	0502011864	AST/MATIC 450 RESET		01
003	0521017724	1" X 6.2" COUPLING SHAFT		01
004	0503010571	1/4" X 1.1/2" COTTERPIN		04
005	0502011863	LOWER BASE FIXER		01
006	0503010014	3/4" NUT		04
007	0503011442	3/4" SPRING WASHER		04
008	0503012729	3/4" X 6-3/4" BOLT		04
009	0521017725	1" X 7.4" COUPLING SHAFT		01
010	0503010002	1800 GREASE FITTING		01
011	0503031574	6.9" X 0.8" X 0.1" EXTENSION SPRING		01
012	0503010004	1890 GREASE FITTING		02
013	0503010691	1/4" GREASE FITTING		01
014	0521063902	ROD BODY DISASSEMBLE		01
015	0521063903	POINT 16 X 2 X 5/8		01
016	0503011265	10MM X 50MM SPRING PIN		02
017	0503010775	SPRING PIN		02



Item	Code	Description	See page	QT
01	0503010014	3/4" NUT		03
02	0503011442	3/4" SPRING WASHER		01
03	0503010571	1/4" X 1.1/2 COTTERPIN		02
04	0503011198	C3/4" X 6" SCREW		01
05	0502012025	BLADE DISC SUPPORT		01
06	0521019800	BLADE DISC BREAK		02
07	0511061576	SPRING GUIDE		01
08	0503031679	COMPRES SPRING		01
09	0502020393	SPRING UPPER SUPPORT		01
10	0511015346	FLAT WASHER		02
11	0521010452	SLEEVE		01
12	0521013510	3/4" NUT		02
13	0511060915	ROD SPRING		01
14	0521015376	DUST CLOAK		02
15	0501052139	ASSY CUTTING DISK DPL18	26	01
16	0502012026	BLADE DISC FIXER SUPPORT		01
17	0502012024	FIXER SUPPORT BUSHING		01
18	0571011609	FIXER PLATE CUTTING DISC		02
19	0503014744	3/4 UNF X 7.1/2 C S G.7 ZN BOLT		04
20	0503010023	3/4" SPRING WASHER		04
21	0503010335	3/4"NUT		04
22	0503013184	5/8" X 2-3/4" BOLT G.8		01
23	0501011299	FLAT WASHER		01
24	0503010129	5/8" NUT		01
25	0503010534	3/8 X 2-1/2 COTTERPIN		01



Item	Code	Description	See page	QT
01	0502011562	DISC HUB		01
02	0503010276	6206 BALL BEARING		02
03	0521013610	BLADE DISC HUB AXLE		01
04	0503030832	FLAT WASHER		02
05	0503012417	SEAL		02
06	0503011800	SEAL RING		02
07	0503010691	1/4" GREASE FITTING		01
08	0603026013	PLAIN COULTER BLADE		01
09	0502020641	BLADE DISC FLANGE		01
10	0503010371	5/16" X 1" BOLT		06
11	0503011444	SPRING WASHER		06
12	0503010337	5/16" NUT		06



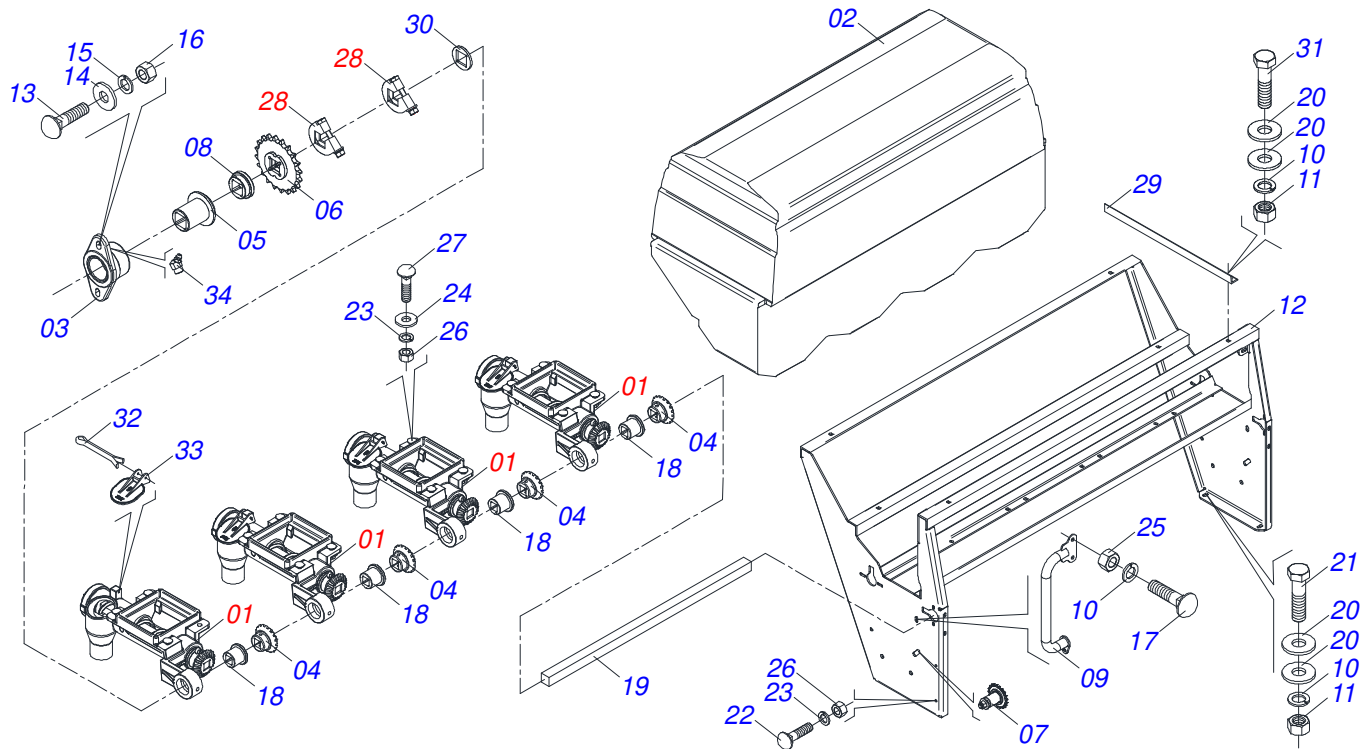
Item	Code	Description	See page	QT
001	0511051535	RIGHT SIDE FERTILIZER DISTRIBUTOR	31	04
002	0503060443	FERTILIZER HOPPER WITH 4 TRUNNELS		01
003	0501110294	BEARING OF THE GEAR RIGHT BOX		01
004	0502011412	18Z CONICAL GEAR		04
005	0521012485	GEAR BOX BEARING AGRICUTURAL		01
006	0511065209	20Z GEAR		01
007	0511050652	CHAIN TENSIONER		02
008	0503030303	SUPPORT WASHER		01
009	0521063326	SIDE HANDRAIL		01
010	0503010019	1/2" SPRING WASHER		11
011	0503010060	1/2" NUT		08
012	0521063321	FERTILIZER SILO SUPPORT		01
013	0503011953	5/16" X 1" BOLT		02
014	0501010694	FLAT WASHER		02
015	0503010179	LOCK WASHER		02
016	0503010337	5/16" NUT		02
017	0501011600	1/2" X 1-1/4" BOLT		03
018	0503030275	AGRICULTURAL BEARING		04
019	0571011776	SQUARE SHAFT		01
020	0511017302	FLAT WASHER		16
021	0503010920	1/2" X 1.1/2" BOLT		04
022	0501011643	3/8 X 1" BOLT		04
023	0503010025	3/8" SPRING WASHER		20
024	0501010984	FLAT WASHER 10,50 X 27 X 3,00 ZN		16
025	0503012682	1/2" BSW NUT		03
026	0503010026	3/8" NUT		20
027	0501010942	3/8" X 1-1/4" BOLT		16
028	0501053788	3/4 SQUARE AXLE FASTENER	32	02
029	0571012704	WITH HOLE		02
030	0521018630	1.4" X SQUARE 0.8" WASHER		01
031	0503011172	BOLT 1/2 UNC X 2.1/2 C S G.5 ZN		04



EST/MATIC 300 - 13/15 ROD
FERTILIZER BEAM SUPPORT

Page 27
0511052028

Item	Code	Description	See page	QT
032	0503010362	1/8 X 1.1/4 COTTERPIN		04
033	0503034396	FERTILIZER SIDE COVER		04
034	0503010003	1845 GREASE FITTING		01



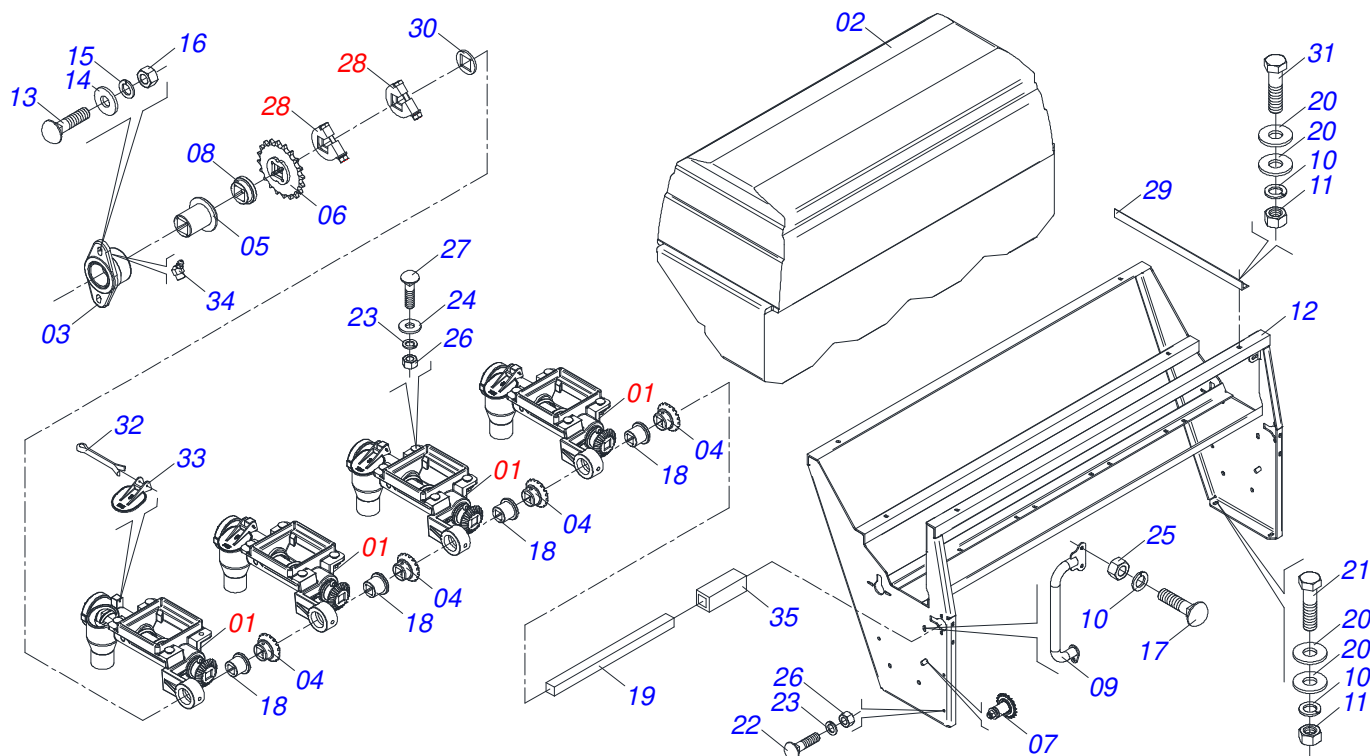
Item	Code	Description	See page	QT
001	0511051535	RIGHT SIDE FERTILIZER DISTRIBUTOR	31	04
002	0503060443	FERTILIZER HOPPER WITH 4 TRUNNELS		01
003	0521012485	GEAR BOX BEARING AGRICUTURAL		01
004	0502011412	18Z CONICAL GEAR		04
005	0521012485	GEAR BOX BEARING AGRICUTURAL		01
006	0511065209	20Z GEAR		01
007	0511050652	CHAIN TENSIONER		02
008	0503030303	SUPPORT WASHER		01
009	0521063326	SIDE HANDRAIL		01
010	0503010019	1/2" SPRING WASHER		11
011	0503010060	1/2" NUT		08
012	0521063321	FERTILIZER SILO SUPPORT		01
013	0503011953	5/16" X 1" BOLT		02
014	0501010694	FLAT WASHER		02
015	0503010179	LOCK WASHER		02
016	0503010337	5/16" NUT		02
017	0501011600	1/2" X 1-1/4" BOLT		03
018	0503030275	AGRICULTURAL BEARING		04
019	0571011776	SQUARE SHAFT		01
020	0511017302	FLAT WASHER		16
021	0503010920	1/2" X 1.1/2" BOLT		04
022	0501011643	3/8 X 1" BOLT		04
023	0503010025	3/8" SPRING WASHER		20
024	0501010984	FLAT WASHER 10,50 X 27 X 3,00 ZN		16
025	0503012682	1/2" BSW NUT		03
026	0503010026	3/8" NUT		20
027	0501010942	3/8" X 1-1/4" BOLT		16
028	0501053788	3/4 SQUARE AXLE FASTENER	32	02
029	0571012704	WITH HOLE		02
030	0521018630	1.4" X SQUARE 0.8" WASHER		01
031	0503011172	BOLT 1/2 UNC X 2.1/2 C S G.5 ZN		04



EST/MATIC 300 - 13/15 ROD
FERTILIZER BEAM SUPPORT

Page 28
0511052029

Item	Code	Description	See page	QT
032	0503010362	1/8 X 1.1/4 COTTERPIN		04
033	0503034396	FERTILIZER SIDE COVER		04
034	0503010003	1845 GREASE FITTING		01



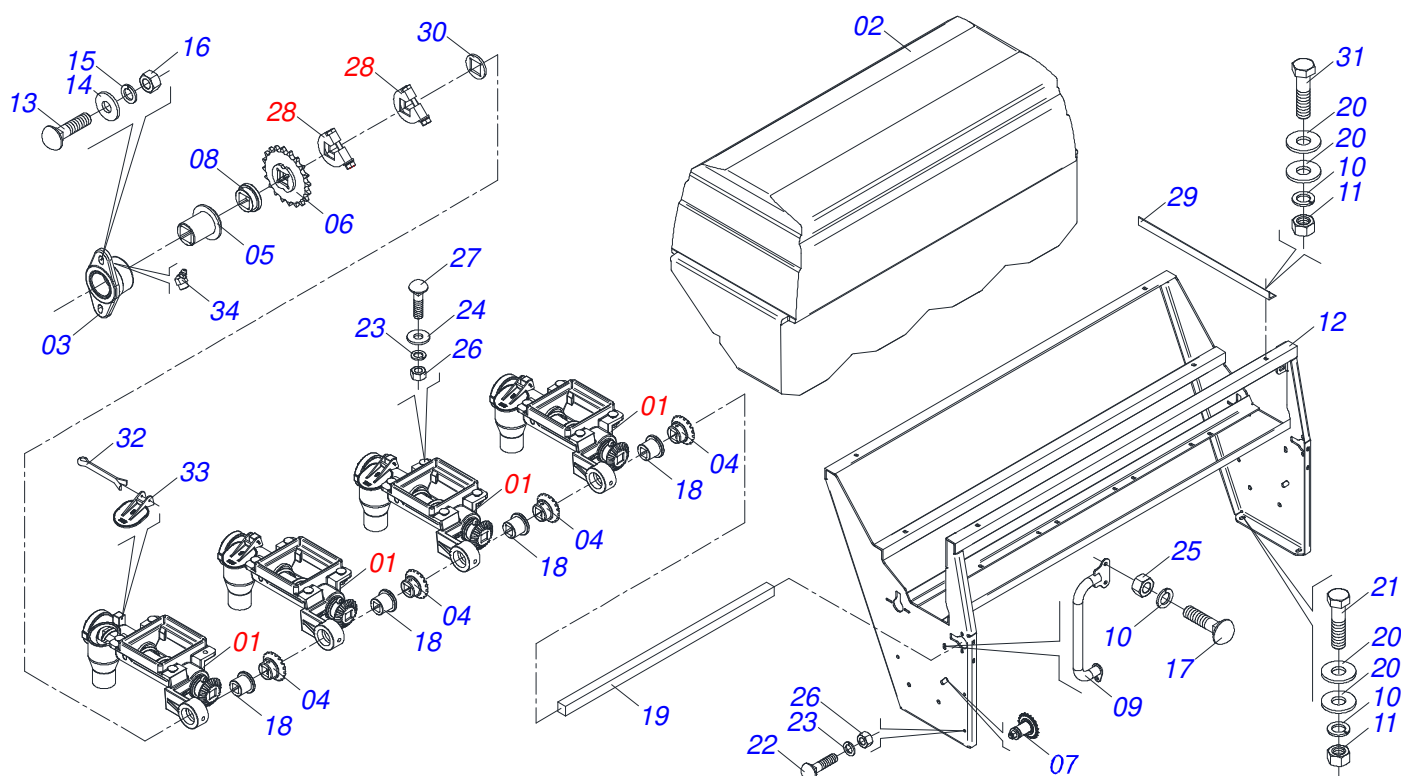
Item	Code	Description	See page	QT
001	0511051535	RIGHT SIDE FERTILIZER DISTRIBUTOR	31	04
002	0503060443	FERTILIZER HOPPER WITH 4 TRUNNELS		01
003	0501110294	BEARING OF THE GEAR RIGHT BOX		01
004	0502011412	18Z CONICAL GEAR		04
005	0521012485	GEAR BOX BEARING AGRICUTURAL		01
006	0511065209	20Z GEAR		01
007	0511050652	CHAIN TENSIONER		02
008	0503030303	SUPPORT WASHER		01
009	0521063326	SIDE HANDRAIL		01
010	0503010019	1/2" SPRING WASHER		11
011	0503010060	1/2" NUT		08
012	0521063321	FERTILIZER SILO SUPPORT		01
013	0503011953	5/16" X 1" BOLT		02
014	0501010694	FLAT WASHER		02
015	0503010179	LOCK WASHER		02
016	0503010337	5/16" NUT		02
017	0501011600	1/2" X 1-1/4" BOLT		03
018	0503030275	AGRICULTURAL BEARING		04
019	0571011776	SQUARE SHAFT		01
020	0511017302	FLAT WASHER		16
021	0503010920	1/2" X 1.1/2" BOLT		04
022	0501011643	3/8 X 1" BOLT		04
023	0503010025	3/8" SPRING WASHER		20
024	0501010984	FLAT WASHER 10,50 X 27 X 3,00 ZN		16
025	0503012682	1/2" BSW NUT		03
026	0503010026	3/8" NUT		20
027	0501010942	3/8" X 1-1/4" BOLT		16
028	0501053788	3/4 SQUARE AXLE FASTENER	32	02
029	0571012704	WITH HOLE		02
030	0521018630	1.4" X SQUARE 0.8" WASHER		01
031	0503011172	BOLT 1/2 UNC X 2.1/2 C S G.5 ZN		04



EST/MATIC 300 - 13/15 ROD
FERTILIZER BEAM SUPPORT

Page 29
0511052602

Item	Code	Description	See page	QT
032	0503010362	1/8 X 1.1/4 COTTERPIN		04
033	0503034396	FERTILIZER SIDE COVER		04
034	0503010003	1845 GREASE FITTING		01
035	0551018055	22,65 X 60 SLEEVE		01



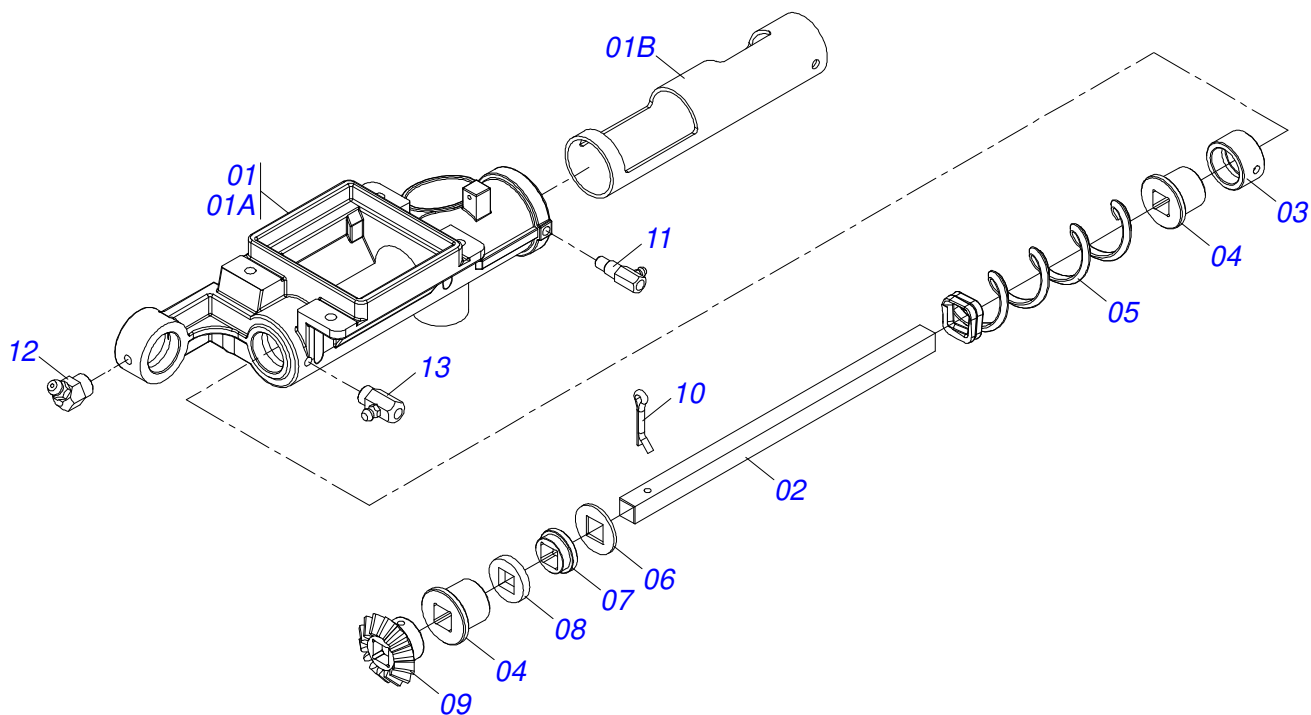
Item	Code	Description	See page	QT
001	0511051535	RIGHT SIDE FERTILIZER DISTRIBUTOR	31	04
002	0503060443	FERTILIZER HOPPER WITH 4 TRUNNELS		01
003	0501110294	BEARING OF THE GEAR RIGHT BOX		01
004	0502011412	18Z CONICAL GEAR		04
005	0521012485	GEAR BOX BEARING AGRICUTURAL		01
006	0511065209	20Z GEAR		01
007	0511050652	CHAIN TENSIONER		02
008	0503030303	SUPPORT WASHER		01
009	0521063326	SIDE HANDRAIL		01
010	0503010019	1/2" SPRING WASHER		11
011	0503010060	1/2" NUT		08
012	0521063321	FERTILIZER SILO SUPPORT		01
013	0503011953	5/16" X 1" BOLT		02
014	0501010694	FLAT WASHER		02
015	0503010179	LOCK WASHER		02
016	0503010337	5/16" NUT		02
017	0501011600	1/2" X 1-1/4" BOLT		03
018	0503030275	AGRICULTURAL BEARING		04
019	0571011776	SQUARE SHAFT		01
020	0511017302	FLAT WASHER		16
021	0503010920	1/2" X 1.1/2" BOLT		04
022	0501011643	3/8 X 1" BOLT		04
023	0503010025	3/8" SPRING WASHER		20
024	0501010984	FLAT WASHER 10,50 X 27 X 3,00 ZN		16
025	0503012682	1/2" BSW NUT		03
026	0503010026	3/8" NUT		20
027	0501010942	3/8" X 1-1/4" BOLT		16
028	0501053788	3/4 SQUARE AXLE FASTENER	32	02
029	0571012704	WITH HOLE		02
030	0521018630	1.4" X SQUARE 0.8" WASHER		01
031	0503011172	BOLT 1/2 UNC X 2.1/2 C S G.5 ZN		04



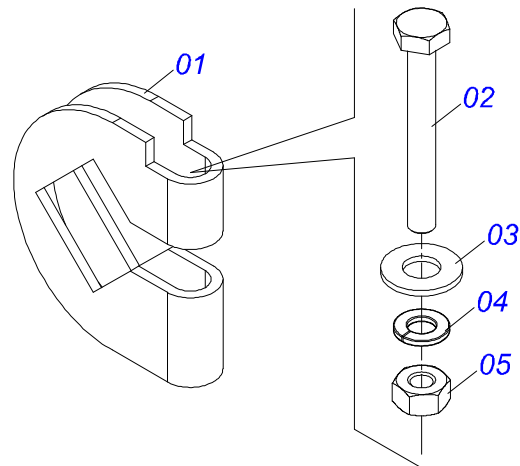
EST/MATIC 300 - 13/15 ROD
LFT FERTILIZER BEAM SUPPORT

Page 30
0511052603

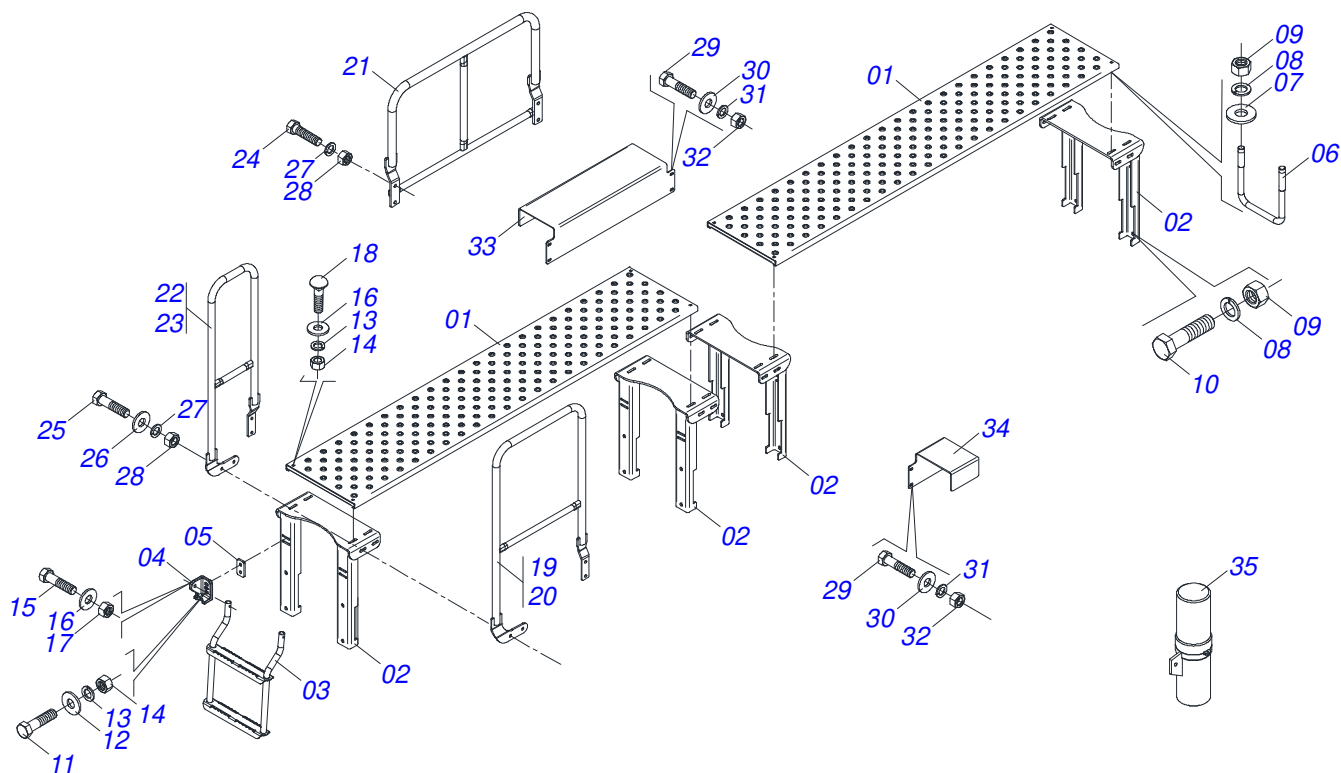
Item	Code	Description	See page	QT
032	0503010362	1/8 X 1.1/4 COTTERPIN		04
033	0503034396	FERTILIZER SIDE COVER		04
034	0503010003	1845 GREASE FITTING		01



Item	Code	Description	See page	QT
01	0501110676	SIDE FERTILIZER DISTRIBUTOR		01
01A	0502012688	SIDE FERTILIZER DISTRIBUTOR		01
01B	0571010542	FERTILIZER DISTRIBUTOR TUBE		01
02	0501019851	DISTRIBUTOR FERTILIZER AXLE		01
03	0521010309	SLEEVE INTER		01
04	0503030275	AGRICULTURAL BEARING		02
05	0503031165	LEFT HELICOID CONDUCTOR		01
06	0501010637	FLAT WASHER		01
07	0503030303	SUPPORT WASHER		01
08	0501013774	GREASE SEAL		01
09	0591017505	GEAR		01
10	0503010523	1/4" X 2" COTTERPIN		01
11	0503011962	GREASE FITTING		01
12	0503010003	1845 GREASE FITTING		01
13	0503012826	CREASE FITTING		01



Item	Code	Description	See page	QT
01	0521010691	AXLE FASTENER		01
02	0503010373	SCREW 1/4 UNC X 2 CS G.2 ZN		01
03	0511017303	FLAT WASHER		01
04	0503010143	1/4" SPRING WASHER		01
05	0503010144	1/4" NUT		01



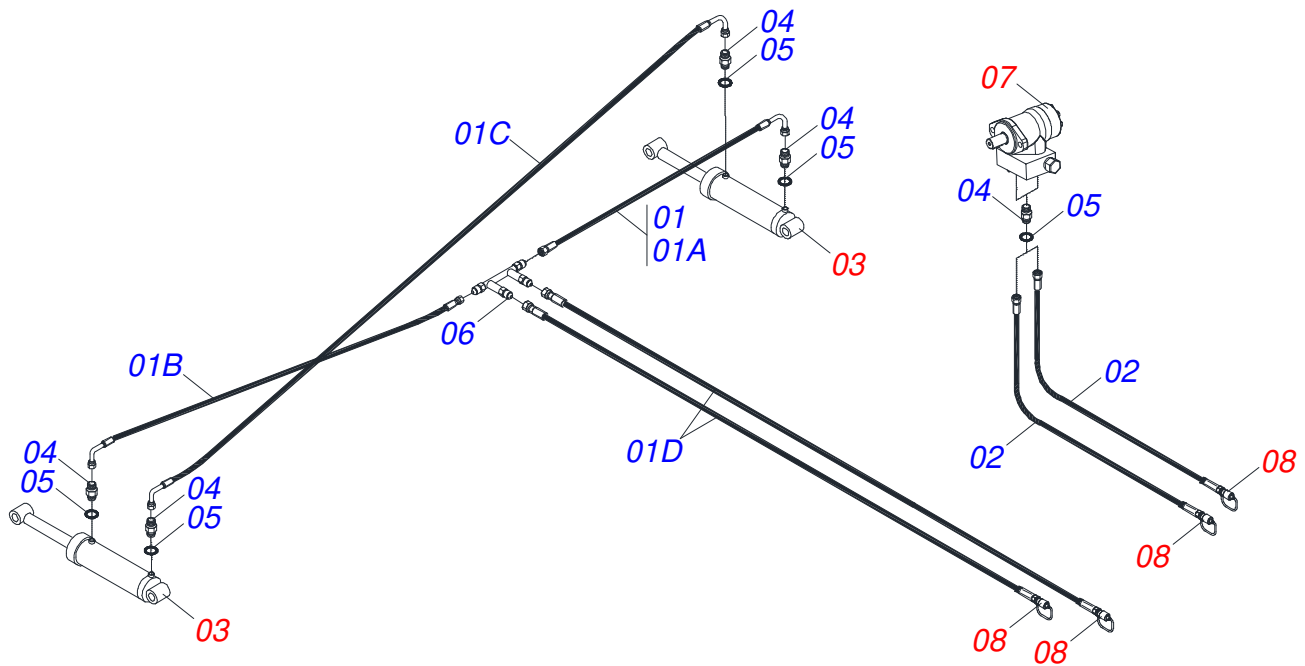
Item	Code	Description	See page	QT
01	0521064541	PLATFORM 2240 EST/MATIC 300		02
02	0521064915	SUPPORT PLATFORM ASSY		04
03	0511069636	LADDER		02
04	0502012742	FIXER SUPPORT LADDER		04
05	0571016087	FIXER PLATE LADDER		04
06	0571015203	5/8" X 4.33" X 3.46" HOLDER		08
07	0501812140	FLAT WASHER		16
08	0503010027	5/8" SPRING WASHER		32
09	0503010013	5/8" NUT		32
10	0503010762	SCREW 5/8 UNC X 3.1/2 CS G.5 ZN		16
11	0503010751	C3/8" X 1.1/4" HEX BOLT G.5		16
12	0501010984	FLAT WASHER 10,50 X 27 X 3,00 ZN		16
13	0503010025	3/8" SPRING WASHER		24
14	0503010026	3/8" NUT		24
15	0501010096	3/8" X 2" BOLT		04
16	0501010984	FLAT WASHER 10,50 X 27 X 3,00 ZN		12
17	0503013357	3/8" SELF-ADJUSTING NUT		04
18	0501011778	3/8" X 2-1/2" BOLT		08
19	0521064568	FRONT RIGHT HANDRAIL		01
20	0521064570	FRONT LEFT HANDRAIL		01
21	0521064569	HANDRAIL CENTRAL		01
22	0521064571	RIGHT REAR HANDRAIL		01
23	0521064572	RIGHT REAR HANDRAIL		01
24	0503010395	1/2" X 1-1/4" BOLT		12
25	0503010920	1/2" X 1.1/2" BOLT		08
26	0511017302	FLAT WASHER		08
27	0503010019	1/2" SPRING WASHER		20
28	0503010060	1/2" NUT		20
29	0503010371	5/16" X 1" BOLT		09
30	0501010984	FLAT WASHER 10,50 X 27 X 3,00 ZN		09
31	0503010179	LOCK WASHER		09



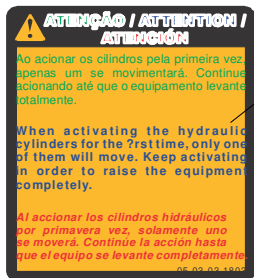
EST/MATIC 300 - 13/15 ROD
PLATFORM ASSEMBLY

Page 33
0909098767

Item	Code	Description	See page	QT
32	0503010337	5/16" NUT		09
33	0571014995	PROTECTION BODY		01
34	0571015211	PROTECTION BODY		01
35	0503060100	OPERATOR'S MANUAL STORAGE TUBE		01



Item	Code	Description	See page	QT
01	0501051055	HOSE KIT		01
01A	0501080025	3/8 X 1400 TR-TC HOSE		01
01B	0501080402	HOSE 3/8 X 1700 TR-TC		01
01C	0501080479	TC-TC HOSE ASSY		01
01D	0501080384	TR-TM HOSE ASSY		02
01E	0503033158	PLASTIC BAG		01
02	0501081909	TR-TM HOSE ASSY		02
03	0521040915	HYDRAULIC CYLINDER 44,45 X 85,7 X 515 X 203	5	02
04	0501010617	3/4" NIPPLE		06
05	0503010190	2-114 N 3006-9B O'RING		06
06	0501068088	OIL TUBE		01
07	0501053421	VALVE MOTOR HYDRAULIC ASSY	12	01
08	0501053834	MALE QUICK COUPLER	13	04



0503031803



0503031428



0503031087



0503034003

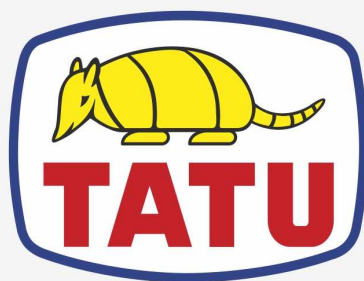


0503031827



0503010001

Item	Code	Description	See page	QT
01	0503031803	IMPORTANT ADHESIVE STICKER		01
02	0503031827	LUBRICATE AND RETIGHTEN DAILY DECAL		01
03	0503031428	READ MANUAL DECAL		01
04	0503031087	ADHESIVE LABEL		01
05	0503034003	SERIAL NUMBER TAG 61 X 118		01
06	0503010001	3.2 X 5.5 RIVET		01



MARCHESAN

Technical Publications | Elaboration and Revision

LUIZ CANDIDO

www.marchesan.com.br

