

**CHISEL PLOW**

## EST/MATIC 300 - 09/11 ROD

**Code:** 0501092652  
**Series:** S-0714  
**Revision:** 00  
**Date Revision:** FEVEREIRO/2020

# PARTS CATALOGUE



**MARCHESAN**



# PRODUCTS

Code	Description
0101210025	EST/MATIC 300 11H DC RD S-0714
0101210024	EST/MATIC 300 9H DC RD S-0714

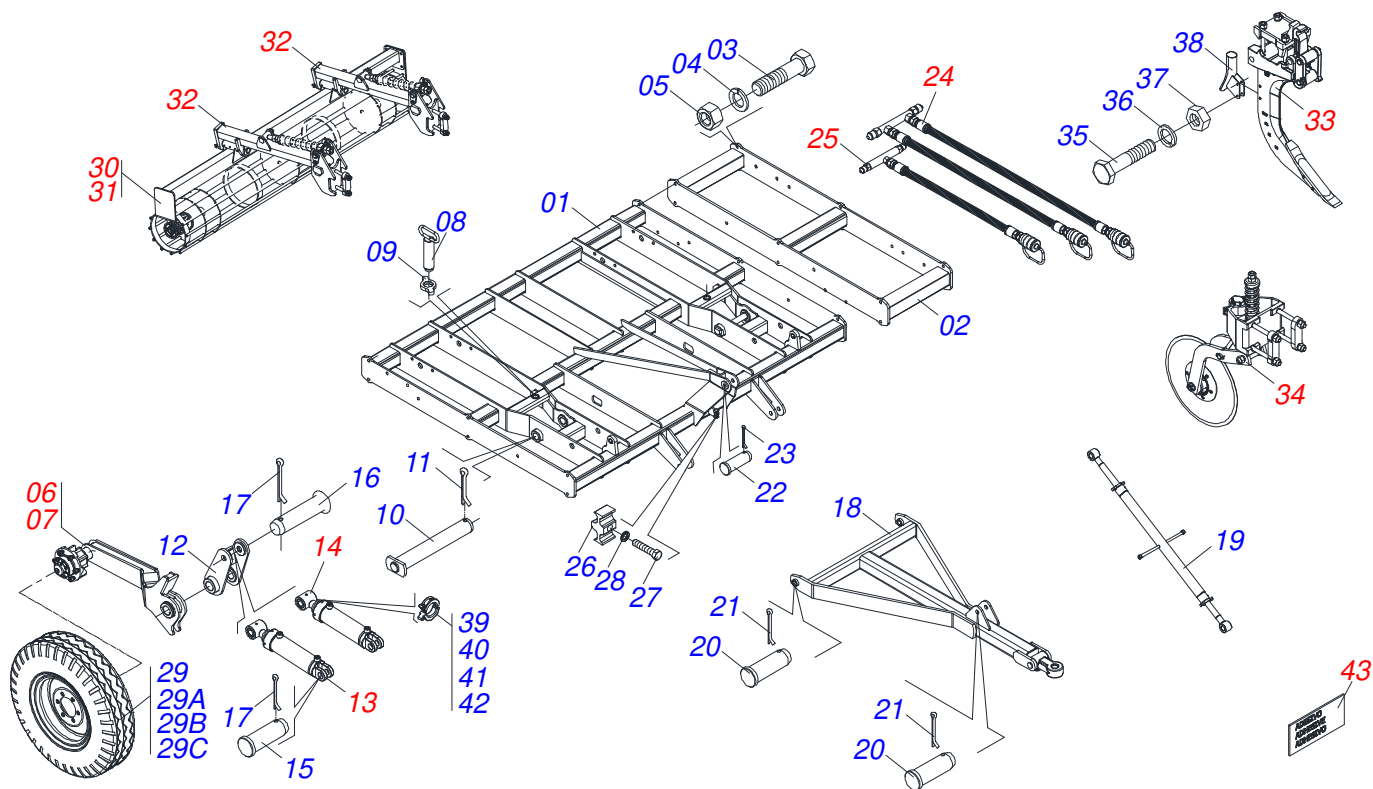
## ATTENTION: IMPORTANT

Marchesan S.A. reserves the right to improve and/or modify the technical features of its products, without obligation to do the same with those products already sold and without prior knowledge of the dealer or the consumer. The photos are only illustrative.



# INDEX

0909098772	ASSY FRAME	.....	1
0511053317	RIGHT WHEEL ASSY	.....	2
0511053318	LEFT WHEEL ASSY	.....	3
0521040391	HYDRAULIC CYLINDER 53,98 X 101,6 X 515 X 203	.....	4
0521040915	HYDRAULIC CYLINDER 44,45 X 85,7 X 515 X 203	.....	5
0501047356	ESTABILIZER ASSY	.....	6
0521042209	BREAK ROLLER 2750	.....	7
0521042210	BREAK ROLLER 3315 ASSY	.....	8
0511051871	ARM BREAK ROLLER	.....	9
0501042180	BEARING DUROMARK OL 192,5 X 1.1/4 IT	.....	10
0521041963	ROD WITH ARM/DISARMENT	.....	11
0521042014	BLADE DISC ASSY	.....	12
0501052139	ASSY CUTTING DISK DPL18	.....	13
0909094671	HYDRAULIC CIRCUIT - 09-11-13-15	.....	14
0909098807	HYDRAULIC CIRCUIT	.....	15
0909098809	STICKER ASSY	.....	16
0501053421	VALVE MOTOR HYDRAULIC ASSY	.....	17
0501053834	MALE QUICK COUPLER	.....	18



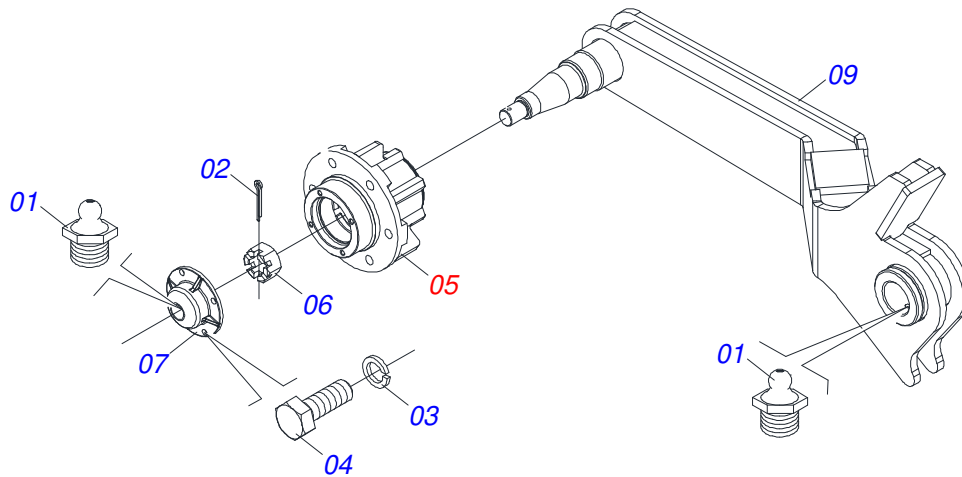
Item	Code	Description	See page	09 11
01	0521062470	FRAME 09-15 HASTES EST/MATIC 300		01 01
02	0521064117	EXTENSION		00 02
03	0501010125	3/4" X 2-1/2" BOLT		00 16
04	0503010023	3/4" SPRING WASHER		00 16
05	0503010014	3/4" NUT		00 16
06	0511053317	RIGHT WHEEL ASSY	2	01 01
07	0511053318	LEFT WHEEL ASSY	3	01 01
08	0521064086	ADJUSTMENT WHEEL		02 02
09	0541018672	COUNTERNUT		02 02
10	0521063252	50,85 X 332 AXLE		02 02
11	0503010073	3/8 X 3-1/2 COTTERPIN		02 02
12	0521064087	CARRYING-WHEELS PIVOT		02 02
13	0521040391	HYDRAULIC CYLINDER 53,98 X 101,6 X 515 X 203	4	01 01
14	0521040915	HYDRAULIC CYLINDER 44,45 X 85,7 X 515 X 203	5	01 01
15	0521012538	1.2" X 3.5" COUPLING SHAFT		02 02
16	0521010547	1.2" X 6.5" COUPLING SHAFT		02 02
17	0503010523	1/4" X 2" COTTERPIN		04 04
18	0501067791	DRAWBAR		01 01
19	0501047356	ESTABILIZER ASSY	6	01 01
20	0521010578	COUPLING SHAFT		03 03
21	0503010523	1/4" X 2" COTTERPIN		04 04
22	0521010582	COUPLING SHAFT		01 01
23	0503010571	1/4" X 1.1/2 COTTERPIN		02 02
24	0909094671	HYDRAULIC CIRCUIT - 09-11-13-15	14	01 01
25	0909098807	HYDRAULIC CIRCUIT	15	01 01
26	0502012702	BODY SUPPORT CLAMP		01 01
27	0503012555	SCREW 7/16 UNC X 2 CS RT G.7 ZN		01 01
28	0503010180	7/16" SPRING WASHER		01 01
29	0503062010	750 X 16-12L ASSY WHEEL AND TIRE		02 02
29A	0521062708	WHEEL 5,50 X 16 X 118 X 6F 16,50 X 152,40		02 02
29B	0503010033	7.50 X 16 INNER TIRE		02 02



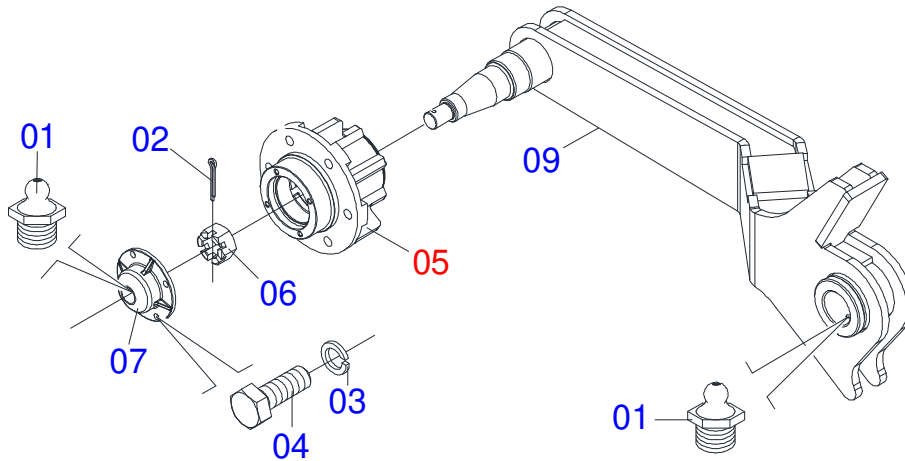
ASSY FRAME

0909098772

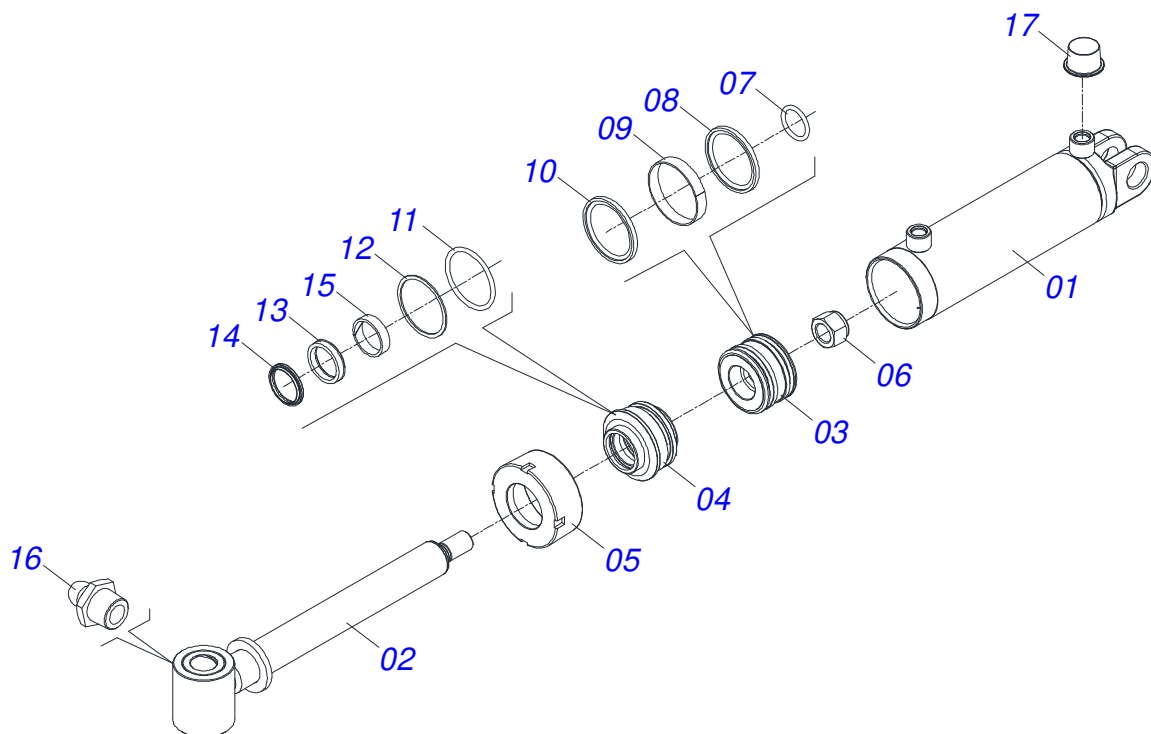
Item	Code	Description	See page	09 11
29C	0503012864	TYRE		02 02
30	0521042209	BREAK ROLLER 2750	7	01 00
31	0521042210	BREAK ROLLER 3315 ASSY	8	00 01
32	0511051871	ARM BREAK ROLLER	9	02 02
33	0521041963	ROD WITH ARM/DISARMENT	11	09 11
34	0521042014	BLADE DISC ASSY	12	09 11
35	0501010096	3/8" X 2" BOLT		18 22
36	0503010025	3/8" SPRING WASHER		18 22
37	0503010026	3/8" NUT		18 22
38	0521064373	FINE SEED CONDUCTOR		09 11
39	0501047895	ROD STOP		06 06
40	0501047885	ROD STOP		02 02
41	0501047886	ROD STOP		02 02
42	0501047887	ROD STOP		02 02
43	0909098809	STICKER ASSY	16	01 01



Item	Code	Description	See page	QT
001	0503010002	1800 GREASE FITTING		02
002	0503010018	5/32 X 1-1/2 COTTERPIN		01
003	0503011444	SPRING WASHER		04
004	0503010358	5/16" X 5/8" BOLT		04
005	0501051142	CARRYING WHEEL HUB		01
006	0503030009	1" CASTLE NUT		01
007	0502020591	PROTECCION COVER		01
008	0501016545	FLAT WASHER		01
009	0521064084	WHEELS RIGHT EST/MATIC 300		01

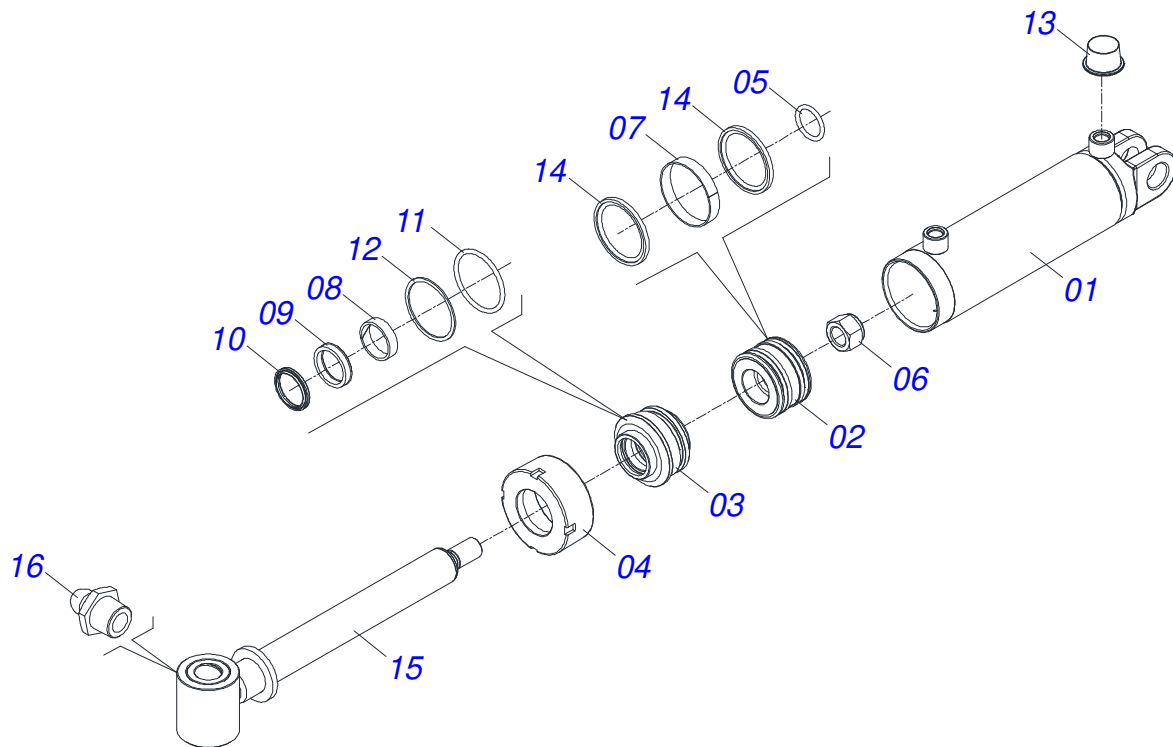


Item	Code	Description	See page	QT
001	0503010002	1800 GREASE FITTING		02
002	0503010018	5/32 X 1-1/2 COTTERPIN		01
003	0503011444	SPRING WASHER		04
004	0503010358	5/16" X 5/8" BOLT		04
005	0501051142	CARRYING WHEEL HUB		01
006	0503030009	1" CASTLE NUT		01
007	0502020591	PROTECCION COVER		01
008	0501016545	FLAT WASHER		01
009	0521064085	CARRYNG-WHEELS LEFT EST/MATIC 300		01

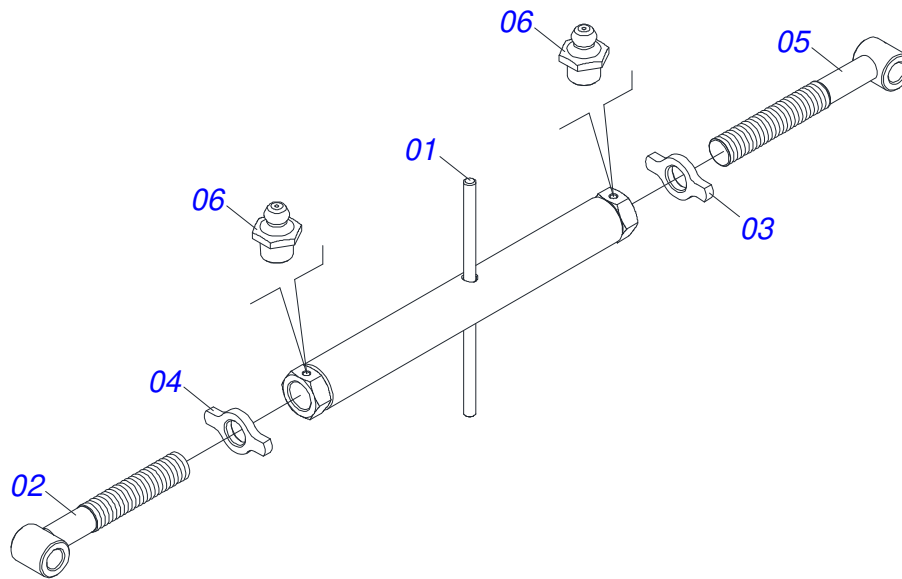


Item	Code	Description	See page	QT
01	0511068373	101,6 X 203 CYLINDER CASE		01
02	0521062882	53,98 X 448 TURNBUCKLE		01
03	0502011249	PISTON		01
04	0502011250	RING OF SUPPORT		01
05	0502010017	4" HEAD		01
06	0503010817	1.1/4" SELF LOCKING NUT		01
07	0503010345	2-218 N 3006-9B O'RING		01
08	0503012725	GASKET		01
09	0503010994	W2-4000-500 PK RING G.E		01
10	0503010043	PACKING 3750-3250		01
11	0503010338	2-342 N 3006-9B O'RING		01
12	0503011061	8-342 BACK-UP RING		01
13	0503010319	D-2125 SCRAPER		01
14	0503010314	GASKET		01
15	0503010973	W2-2500-500 PK O'RING G.E		01
16	0503010002	1800 GREASE FITTING		01
17	0503030384	CON PLUG N-001		02
18	0511031218	CYLINDER REPAIR KIT 53,98 X 101,6		01

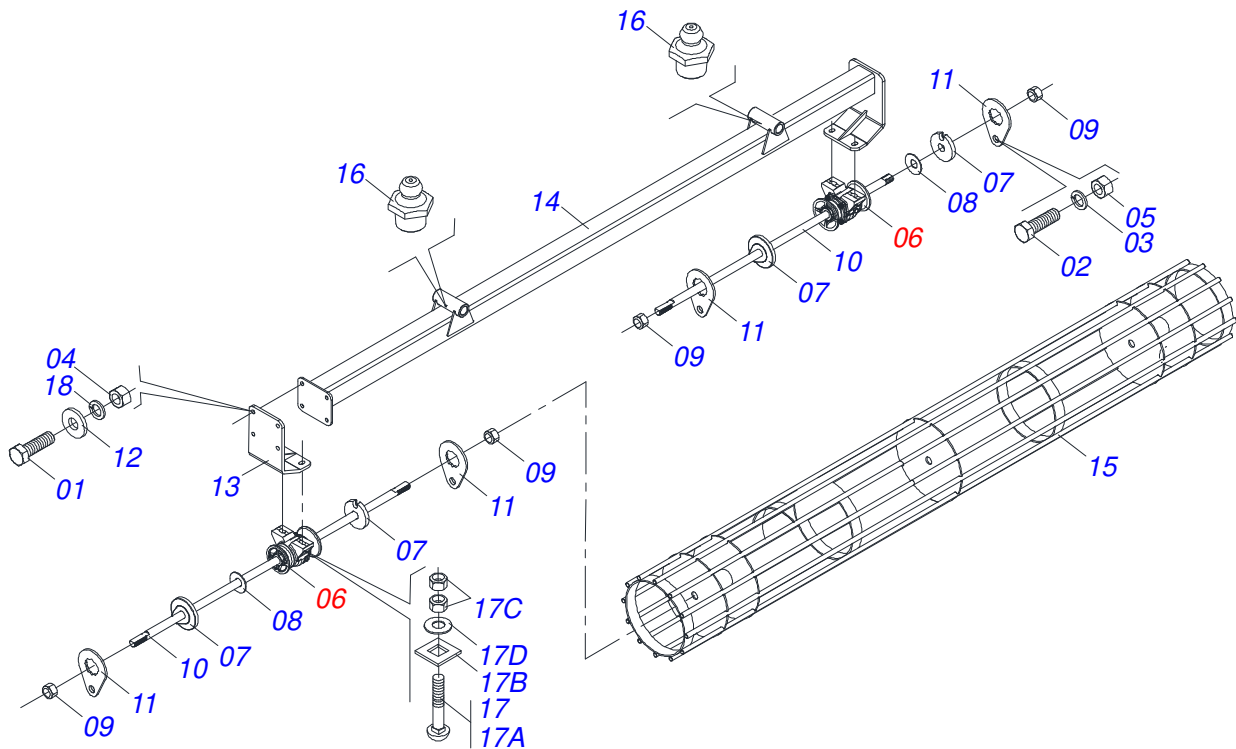




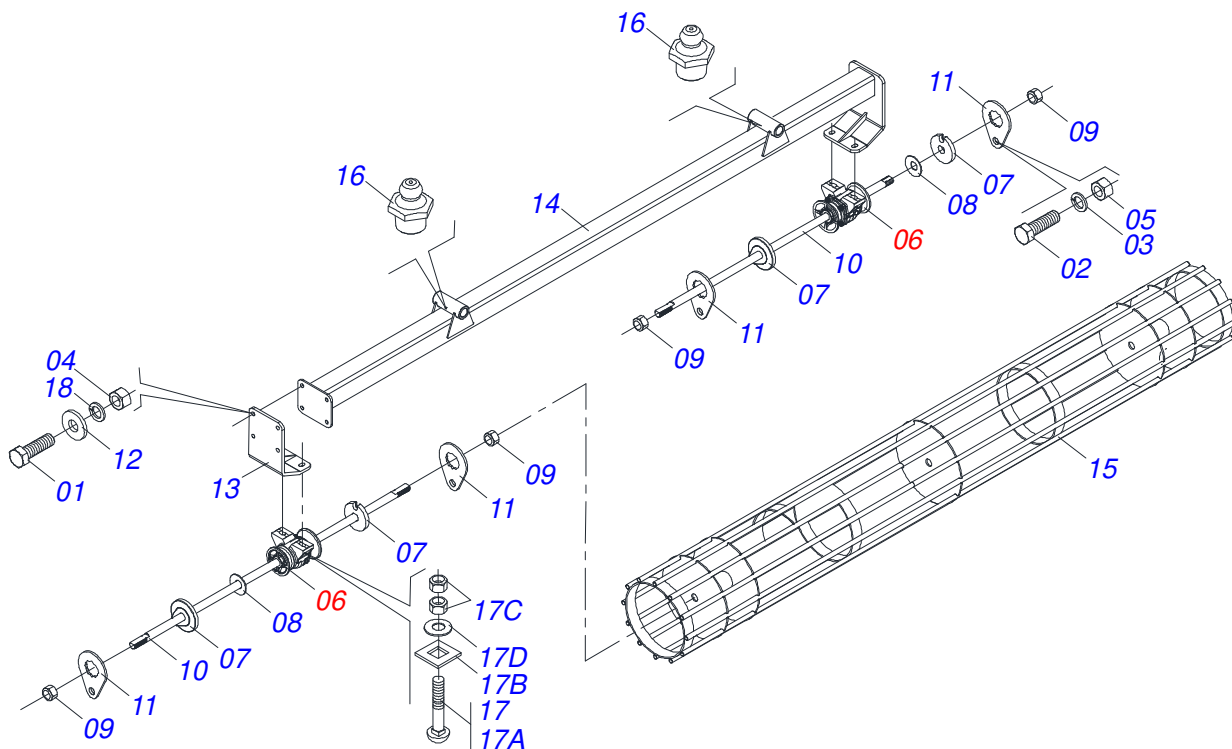
Item	Code	Description	See page	QT
01	0511068372	85,72 X 203 CYLINDER CASE		01
02	0502011847	1.7" X 3.4" PISTON		01
03	0502010781	RING SUPPORT		01
04	0502010993	DETACHABLE COVER		01
05	0503010042	2-214 N 3006-9B O'RING		01
06	0503010063	1" SELF-ALIGNING NUT		01
07	0503010948	W4-3346-590 PK RING G.E		01
08	0503010949	W2-2000-500 PK RING G.E		01
09	0503010990	GASKET		01
10	0503010761	D-1750 SCRAPER RING		01
11	0503010976	2-336 N 3006-9B O'RING		01
12	0503011060	8-336 BACK-UP RING		01
13	0503030384	CON PLUG N-001		02
14	0503012509	GASKET		02
15	0521063254	44,45 X 450 TURNBUCKLE		01
16	0503010002	1800 GREASE FITTING		01
17	0501035169	CYLINDER REPAIR KIT 44,45 X 85,72		01



Item	Code	Description	See page	QT
01	0501068095	850 ADJUSTMENT NUT		01
02	0501068096	RIGTH TURNBUCKLE		01
03	0541018673	COUNTERNUT		01
04	0541018672	COUNTERNUT		01
05	0501068097	LEFT TURNBUCKLE		01
06	0503010002	1800 GREASE FITTING		02

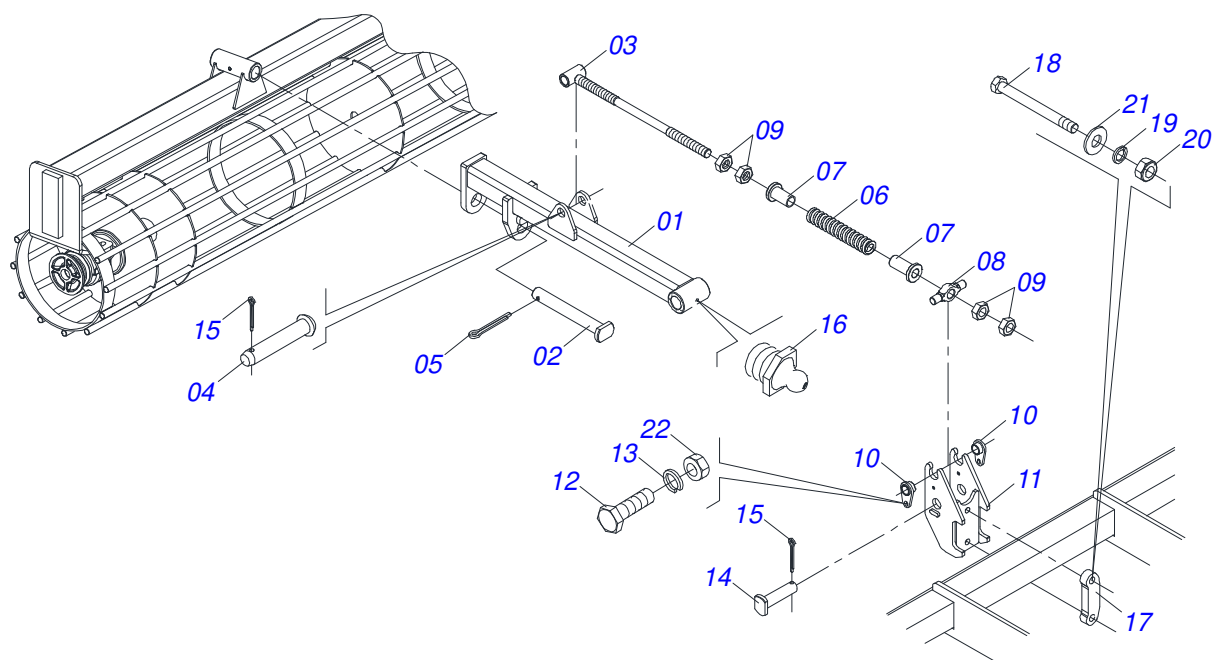


Item	Code	Description	See page	QT
001	0501010100	SCREW 5/8 UNC X 2 CS G.5 ZN		04
002	0501010161	1/2" X 1.1/4" BOLT		04
003	0503011440	SPRING WASHER		04
004	0503010013	5/8" NUT		04
005	0503010060	1/2" NUT		04
006	0501042180	BEARING DUROMARK OL 192,5 X 1.1/4 IT	10	02
007	1902010835	1-1/4" EXTERNAL AXLE WASHER		04
008	0531018575	WASHER CONCAVE		02
009	0501010087	1.1/4" NUT		04
010	0501010752	1.1/4" X 500 AXLE		02
011	0501010455	1.1/4" NUT LOCK		04
012	0501012140	FLAT WASHER		04
013	0521062673	BRACKET MOBILE FIXER ROLLER		01
014	0521064116	2715 BREAK ROLLER SUPPORT		01
015	0521064115	BREAK ROLLER 2540		01
016	0503010002	1800 GREASE FITTING		02
017	0501058802	5/8 UNC X 2.3/4 BOLT ASSY		04
017A	0503015154	5/8" X 2.3/4" BOLT		01
017B	0501010947	5/8 NUT LOCK		01
017C	0503010013	5/8" NUT		02
017D	0501012140	FLAT WASHER		01
018	0503010027	5/8" SPRING WASHER		04

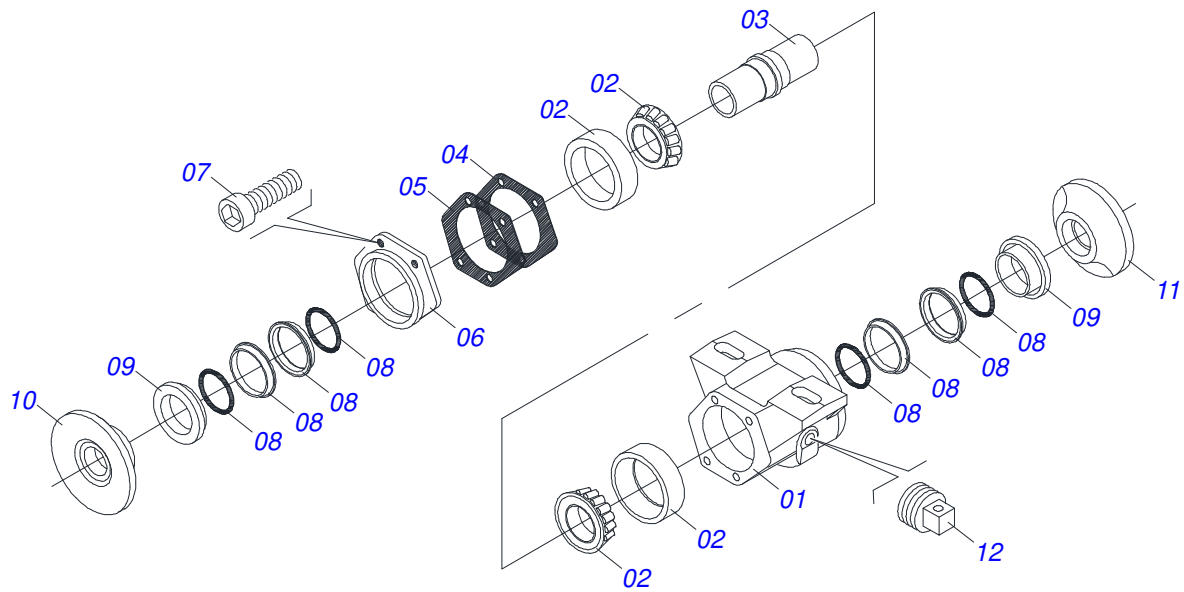


Item	Code	Description	See page	QT
001	0501010100	SCREW 5/8 UNC X 2 CS G.5 ZN		04
002	0501010161	1/2" X 1.1/4" BOLT		04
003	0503011440	SPRING WASHER		04
004	0503010013	5/8" NUT		04
005	0503010060	1/2" NUT		04
006	0501042180	BEARING DUROMARK OL 192,5 X 1.1/4 IT	10	02
007	1902010835	1-1/4" EXTERNAL AXLE WASHER		04
008	0531018575	WASHER CONCAVE		02
009	0501010087	1.1/4" NUT		04
010	0501010752	1.1/4" X 500 AXLE		02
011	0501010455	1.1/4" NUT LOCK		04
012	0501012140	FLAT WASHER		04
013	0521062673	BRACKET MOBILE FIXER ROLLER		01
014	0521064119	3315 BREAK ROLLER SUPPORT		01
015	0521064118	BREAK ROLLER 3315 ASSY		01
016	0503010002	1800 GREASE FITTING		02
017	0501058802	5/8 UNC X 2.3/4 BOLT ASSY		04
017A	0503015154	5/8" X 2.3/4" BOLT		01
017B	0501010947	5/8 NUT LOCK		01
017C	0503010013	5/8" NUT		02
017D	0501012140	FLAT WASHER		01
018	0503010027	5/8" SPRING WASHER		04

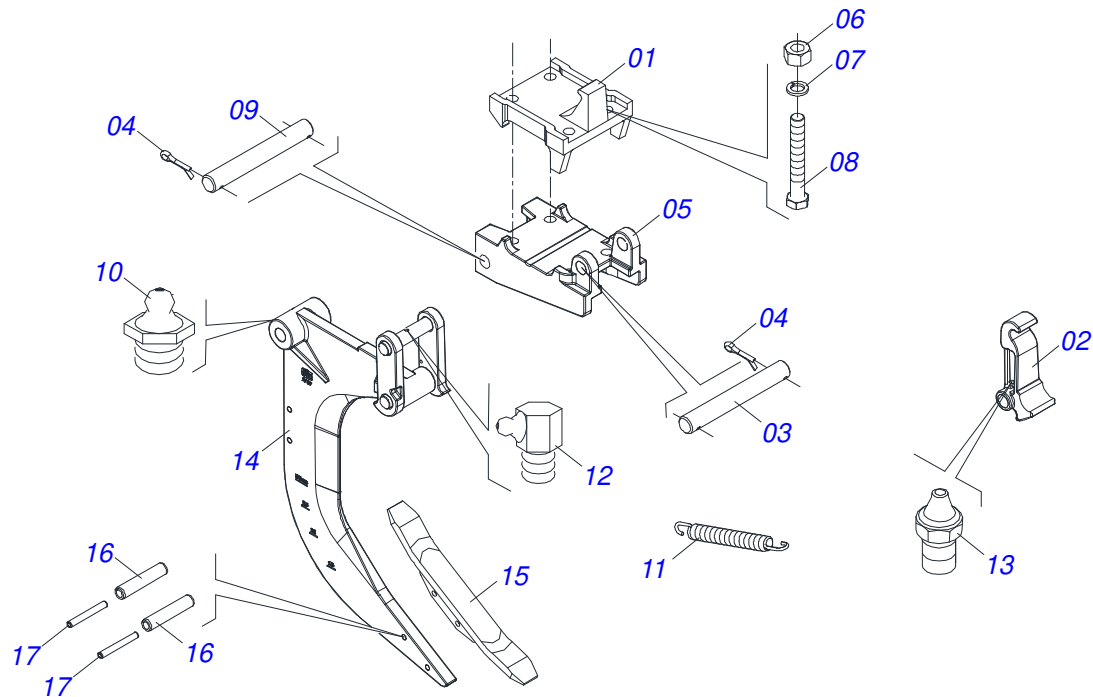
ARM BREAK ROLLER



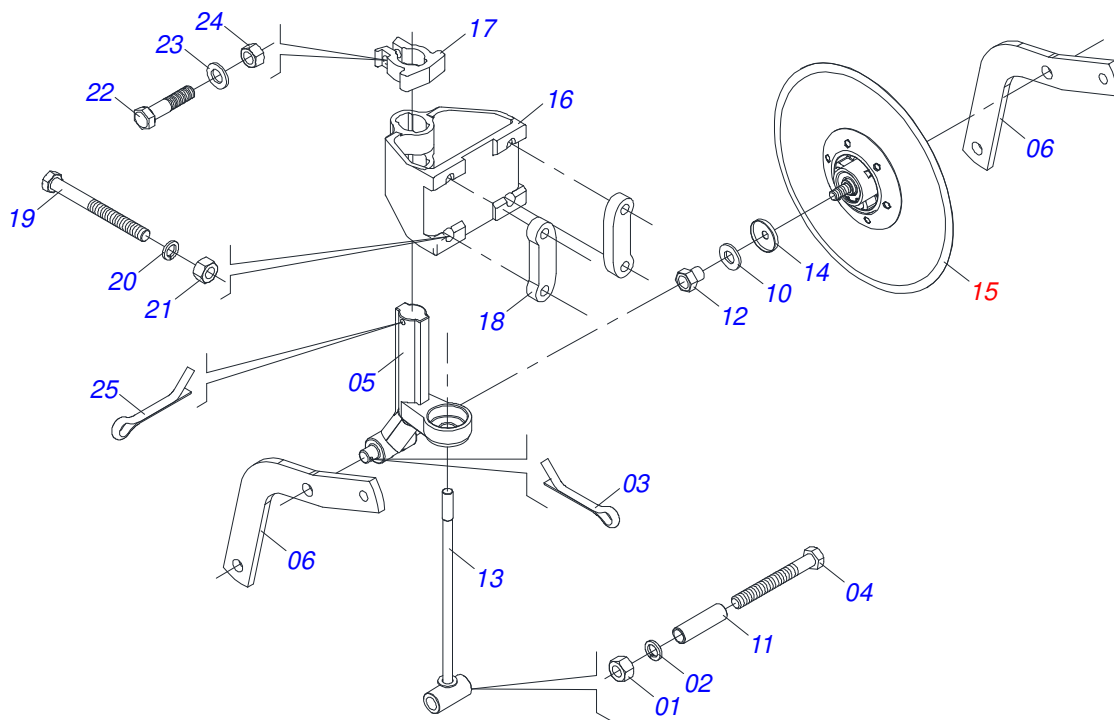
Item	Code	Description	See page	QT
00	0511051871	ARM BREAK ROLLER	9	01
01	0521063139	ARM ROLLER		01
02	0521010808	1.4" X 5.8" COUPLING SHAFT		01
03	0521063150	ASSY		01
04	0521010578	COUPLING SHAFT		01
05	0503010523	1/4" X 2" COTTERPIN		01
06	0503031575	2.5"X 12" X 0.5" COMPRESSION SPRING		01
07	0571011377	SPRING GUIDES SLEVE		02
08	0571011378	TRUNNION ARTICULATOR SPRING ROD		01
09	0501010059	1.5/8 NUT		04
10	0521063151	TRUNNION LOCK ARTICULATOR SPRING ROD		02
11	0521063134	FIXER ROLL		01
12	0503010920	1/2" X 1.1/2" BOLT		02
13	0503010019	1/2" SPRING WASHER		02
14	0521062685	ARTICULATION AXIS		01
15	0503012267	5/16" X 3" COTTER PIN		02
16	0503010002	1800 GREASE FITTING		01
17	0571011609	FIXER PLATE CUTTING DISC		01
18	0503014744	3/4 UNF X 7.1/2 C S G.7 ZN BOLT		02
19	0503010023	3/4" SPRING WASHER		02
20	0503010335	3/4"NUT		02
21	0511019685	FLAT WASHER		02
22	0503010060	1/2" NUT		02



Item	Code	Description	See page	QT
01	0502010539	HOUSING DM		01
02	0503010111	30210 ROLLER BEARING		02
03	0502040218	AXLE		01
04	0503030013	4.4" X 3.5" X 0.004" JOINT		02
05	0503030684	4.4" X 3.5" X 0.004" JOINT		01
06	0502020424	HOUSING CAP		01
07	0503010134	3/8" X 1" BOLT		04
08	0503030026	SEAL LP JB-253		02
09	0502010541	SEAL RETAINER		02
10	0502010070	OUTER FLANGE		01
11	0502010071	INNER FLANGE		01
12	0503010856	OIL PLUG		01

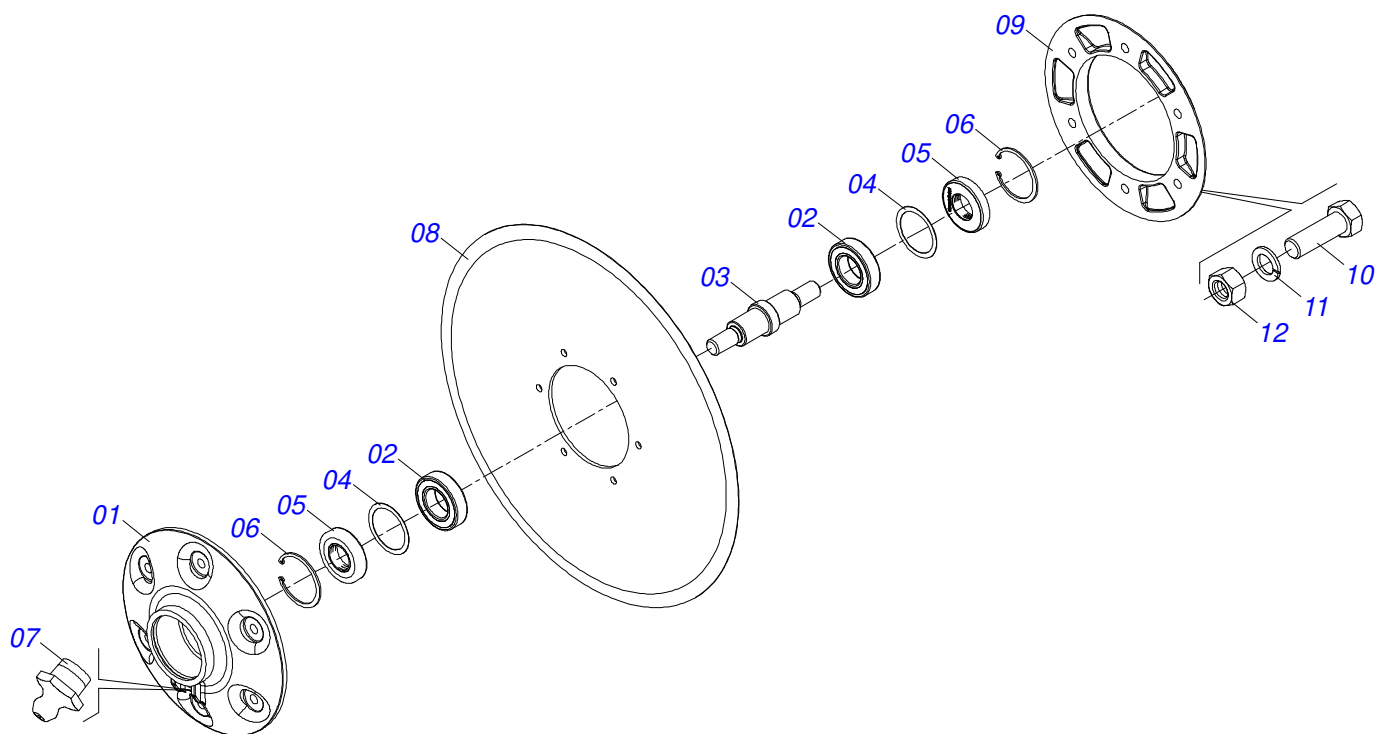


Item	Code	Description	See page	QT
001	0502011861	FIXER BASE UPPER		01
002	0502011864	AST/MATIC 450 RESET		01
003	0521017724	1" X 6.2" COUPLING SHAFT		01
004	0503010571	1/4" X 1.1/2" COTTERPIN		04
005	0502011863	LOWER BASE FIXER		01
006	0503010014	3/4" NUT		04
007	0503011442	3/4" SPRING WASHER		04
008	0503012729	3/4" X 6-3/4" BOLT		04
009	0521017725	1" X 7.4" COUPLING SHAFT		01
010	0503010002	1800 GREASE FITTING		01
011	0503031574	6.9" X 0.8" X 0.1" EXTENSION SPRING		01
012	0503010004	1890 GREASE FITTING		02
013	0503010691	1/4" GREASE FITTING		01
014	0521063902	ROD BODY DISASSEMBLE		01
015	0521063903	POINT 16 X 2 X 5/8		01
016	0503011265	10MM X 50MM SPRING PIN		02
017	0503010775	SPRING PIN		02

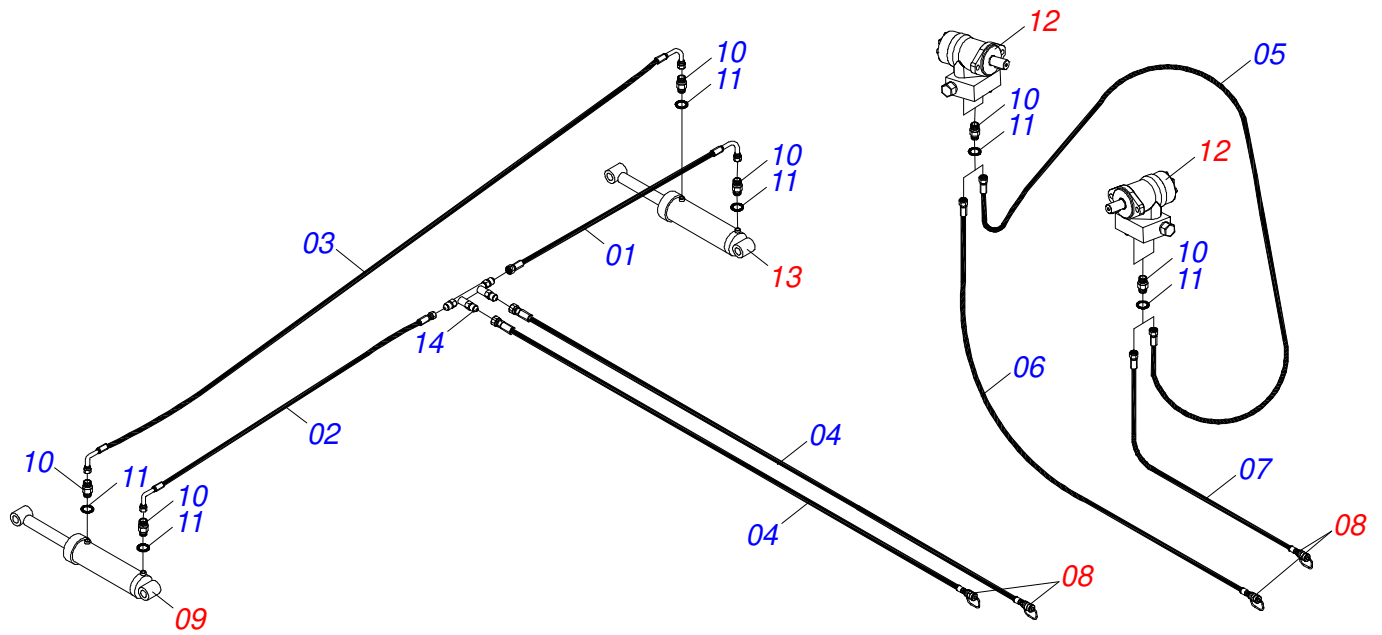


Item	Code	Description	See page	QT
01	0503010014	3/4" NUT		03
02	0503011442	3/4" SPRING WASHER		01
03	0503010571	1/4" X 1.1/2 COTTERPIN		02
04	0503011198	C3/4" X 6" SCREW		01
05	0502012025	BLADE DISC SUPPORT		01
06	0521019800	BLADE DISC BREAK		02
07	0511061576	SPRING GUIDE		01
08	0503031679	COMPRES SPRING		01
09	0502020393	SPRING UPPER SUPPORT		01
10	0511015346	FLAT WASHER		02
11	0521010452	SLEEVE		01
12	0521013510	3/4" NUT		02
13	0511060915	ROD SPRING		01
14	0521015376	DUST CLOAK		02
15	0501052139	ASSY CUTTING DISK DPL18	13	01
16	0502012026	BLADE DISC FIXER SUPPORT		01
17	0502012024	FIXER SUPPORT BUSHING		01
18	0571011609	FIXER PLATE CUTTING DISC		02
19	0503014744	3/4 UNF X 7.1/2 C S G.7 ZN BOLT		04
20	0503010023	3/4" SPRING WASHER		04
21	0503010335	3/4"NUT		04
22	0503013184	5/8" X 2-3/4" BOLT G.8		01
23	0501011299	FLAT WASHER		01
24	0503010129	5/8" NUT		01
25	0503010534	3/8 X 2-1/2 COTTERPIN		01

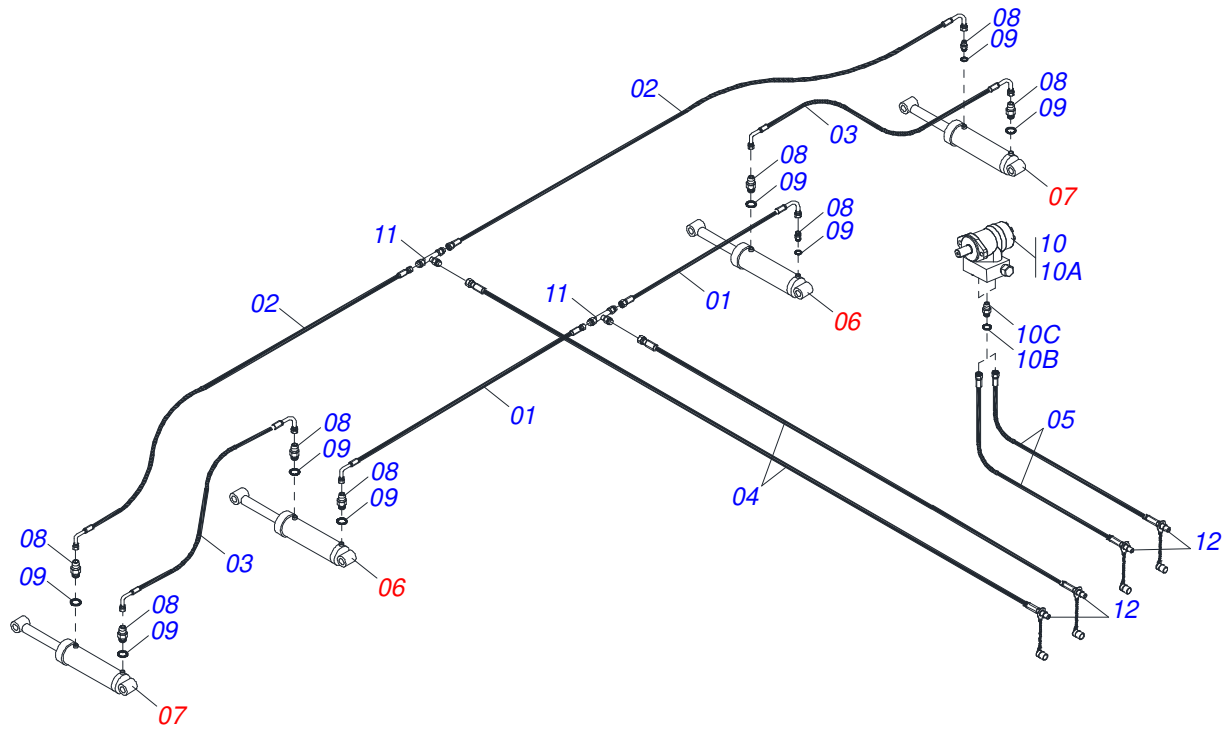




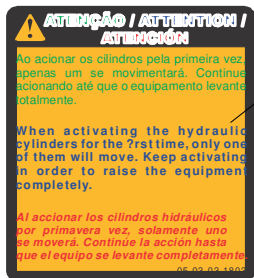
Item	Code	Description	See page	QT
01	0502011562	DISC HUB		01
02	0503010276	6206 BALL BEARING		02
03	0521013610	BLADE DISC HUB AXLE		01
04	0503030832	FLAT WASHER		02
05	0503012417	SEAL		02
06	0503011800	SEAL RING		02
07	0503010691	1/4" GREASE FITTING		01
08	0603026013	PLAIN COULTER BLADE		01
09	0502020641	BLADE DISC FLANGE		01
10	0503010371	5/16" X 1" BOLT		06
11	0503011444	SPRING WASHER		06
12	0503010337	5/16" NUT		06



Item	Code	Description	See page	09/11/13/15
01	0501080436	3/8 X 1600 TR-TC HOSE		01 01 01 01
02	0501080348	3/8 X 1200 TR-TC HOSE		01 01 01 01
03	0501080746	TC-TC HOSE ASSY		01 01 01 01
04	0501080384	TR-TM HOSE ASSY		02 02 02 02
05	0501081686	HOSE		00 00 00 01
06	0501081909	TR-TM HOSE ASSY		00 00 00 01
07	0501081911	HOSE 1/2 X 7500 TR-TM		00 00 00 01
08	0501053834	MALE QUICK COUPLER	18	02 02 02 04
09	0521040915	HYDRAULIC CYLINDER 44,45 X 85,7 X 515 X 203	5	02 02 02 02
10	0501010617	3/4" NIPPLE		04 04 04 04
11	0503010190	2-114 N 3006-9B O'RING		08 08 08 10
12	0501053421	VALVE MOTOR HYDRAULIC ASSY	17	00 00 00 02
13	0521040391	HYDRAULIC CYLINDER 53,98 X 101,6 X 515 X 203	4	02 02 02 02
14	0501068088	OIL TUBE		01 01 01 01



Item	Code	Description	See page	QT
01	0501080485	3/8 X 1100 TR-TC HOSE		02
02	0501080389	3/8" X 126" TC-TC HOSE ASSY		02
03	0501080359	3/8" X 78.7" TR-TC HOSE ASSY		02
04	0501080510	HOSE 3/8 X 3500 TR-TM		02
05	0501080350	HOSE 1/2 X 4500 TC-TM		02
06	0521040391	HYDRAULIC CYLINDER 53,98 X 101,6 X 515 X 203	4	02
07	0521040915	HYDRAULIC CYLINDER 44,45 X 85,7 X 515 X 203	5	02
08	0501010617	3/4" NIPPLE		08
09	0503010190	2-114 N 3006-9B O'RING		08
10	0501053421	VALVE MOTOR HYDRAULIC ASSY	17	01
10A	0503012829	VALVE HYDRAULIC MOTOR ASSY		01
10B	0503010045	O'RING		02
10C	0501010590	NIPPLE		02
11	0501072676	OIL DISTRIBUTOR BODY		02
12	0501053834	MALE QUICK COUPLER	18	04



0503031803



0503031428



0503031087



0503034003

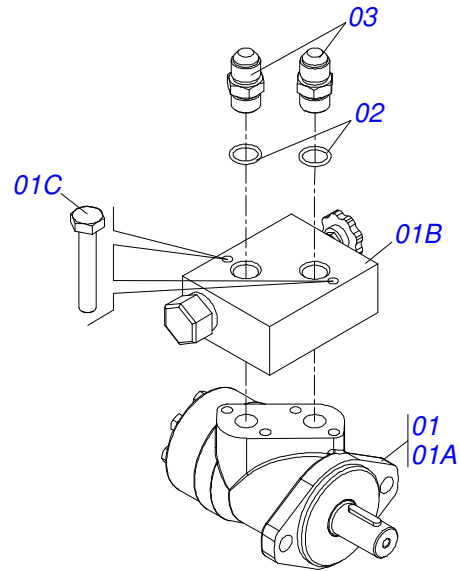


0503031827

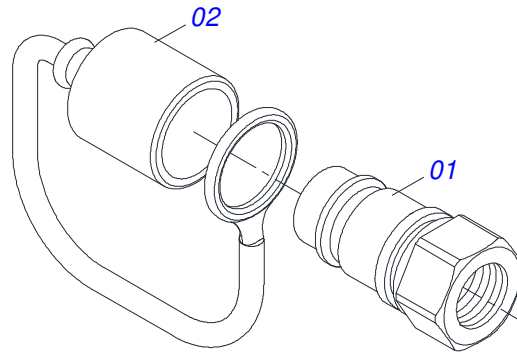


0503010001

Item	Code	Description	See page	QT
01	0503031803	IMPORTANT ADHESIVE STICKER		01
02	0503031827	LUBRICATE AND RETIGHTEN DAILY DECAL		01
03	0503031428	READ MANUAL DECAL		01
04	0503031087	ADHESIVE LABEL		01
05	0503034003	SERIAL NUMBER TAG 61 X 118		01
06	0503010001	3.2 X 5.5 RIVET		01



Item	Code	Description	See page	QT
01	0503012829	VALVE HYDRAULIC MOTOR ASSY		01
01A	0503014364	MOTOR W/ AXLE		01
01B	0503014365	VALVE		01
01C	0503010373	SCREW 1/4 UNC X 2 CS G.2 ZN		02
02	0503010045	O'RING		02
03	0501010590	NIPPLE		02



Item	Code	Description	See page	QT
01	0503011627	MALE QUICK COUPLER AGR 1/2 NPT		01
02	0503011882	MALE QUICK COUPLER CAP		01





**MARCHESAN**

***Technical Publications | Elaboration and Revision***

LUIZ CANDIDO

[www.marchesan.com.br](http://www.marchesan.com.br)

