

PARTS CATALOGUE



TRANSHIPMENT

Code:

0501092650

Product:

RACT 10500 C 1,90 RAQ F NO BRAKE VEH EXP



Series:

S-0616

Revision:

00

Date Revision:

JANEIRO/2020



PRODUCTS

Code	Description
0118010003	RACT 10500 C 1,90 RAQ F S/FREIO VEH EXP S-0616

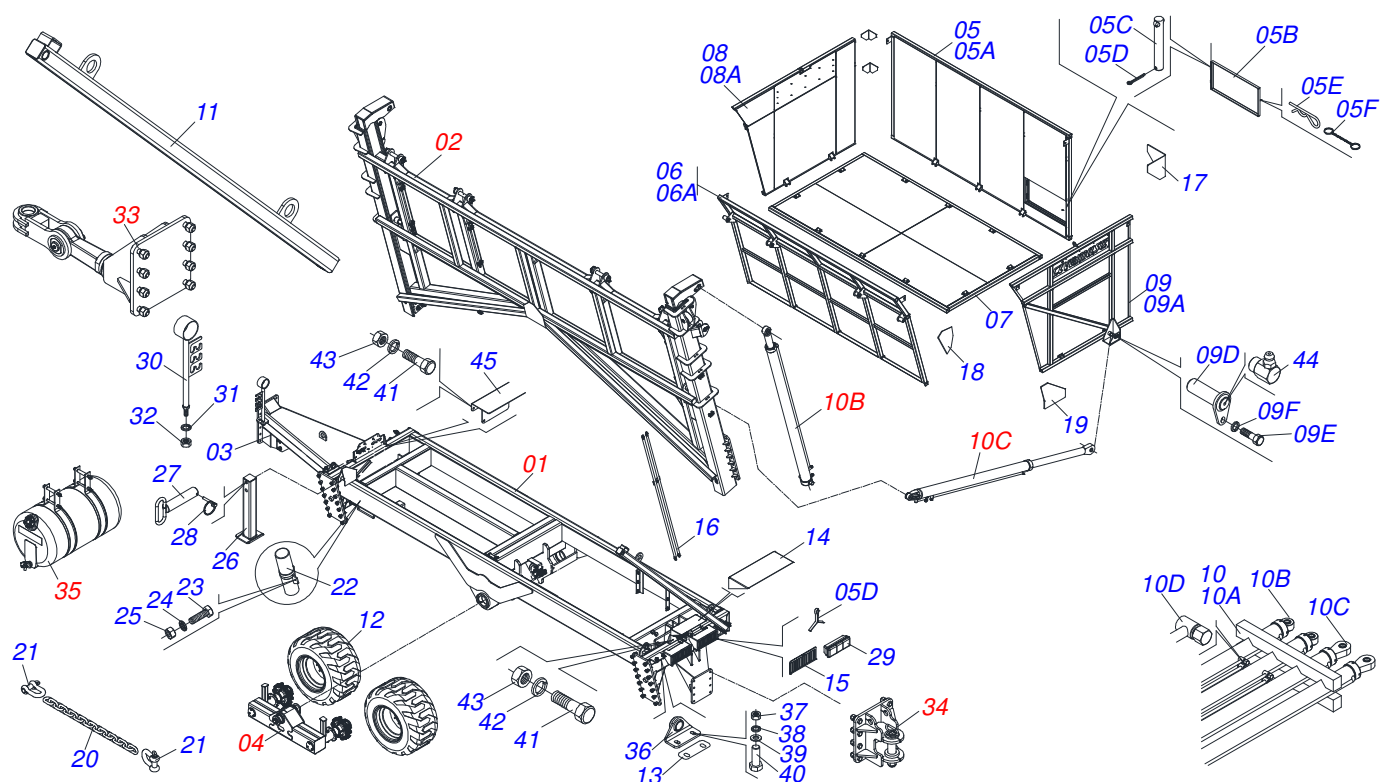
ATTENTION: IMPORTANT

Marchesan S.A. reserves the right to improve and / or modify the technical features of its products, without obligation to do the same with those products already sold and without prior knowledge of the dealer or the consumer.



INDEX

0909098745	CENTRAL HEADER 1,90 (VEH)	1
0909098760	LIFT ASSY (VEH)	2
0521049782	FRAME BASE SEMI ASSEMBLE	3
0521046744	FRAME HEADER OFFSET	4
0511047991	1,90 LIFT ASSY	5
0521046973	RIGHT AND LEFT BELL CRANK	6
0511049091	HITCH FRONT	7
0511048421	HITCH REAR RACKET	8
0909098752	SYSTEM HYDRAULIC (VEH)	9
0501059757	HYDRAULIC VALVE EL/HIDRAULIC ASSY	10
0521054629	COROTE WATER 25 / 26L	11
0521045265	HYDRAULIC CYLINDER	12
0511047791	CILINDER ROCKER	13
0909091964	SYSTEM LUBRICATION	14



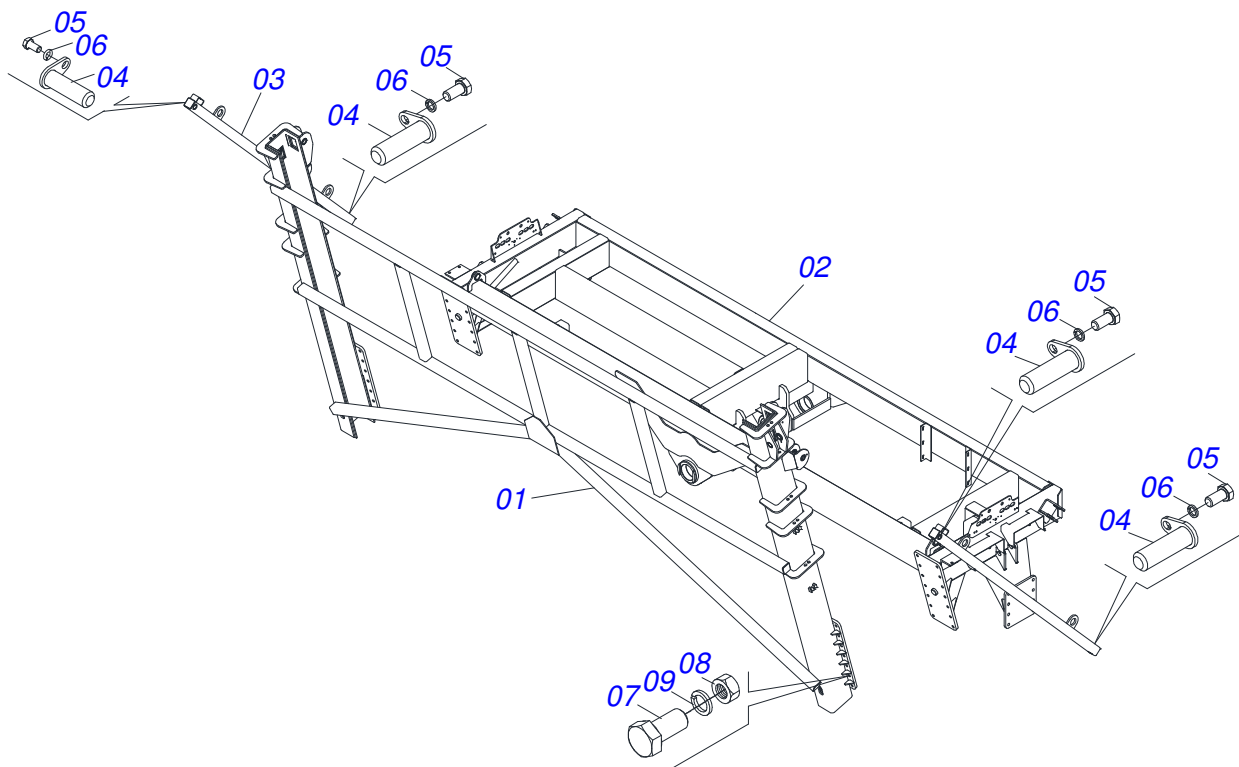
Item	Code	Description	See page	QT
01	0521049782	FRAME BASE SEMI ASSEMBLE	3	1
02	0521046744	FRAME HEADER OFFSET	4	01
03	0521049783	DRAWBAR		01
04	0521046973	RIGHT AND LEFT BELL CRANK	6	01
05	0521049784	RIGHT SIDE SKEP ASSY		01
05A	0521067269	SIDE SKEP ASSY		01
05B	0511069194	COVER		01
05C	0521010553	0.5" X 3" COUPLING SHAFT		02
05D	0503010257	1/8" X 1" COTTERPIN		02
05E	0503030168	HAIR PIN		01
05F	0503011423	RING CHAIN ??WITH CHAIN		01
05G	0503013229	LATERAL BAND		04
05H	0503034688	LABEL ADHESIVE		01
05I	0503034689	LABEL ADHESIVE		01
06	0521049785	LIFT ASSY		01
06A	0521067268	SLIDES		01
06B	0503034688	LABEL ADHESIVE		01
06C	0503034689	LABEL ADHESIVE		01
07	0521067270	BACKGROUND SKEP ASSY		01
08	0521049813	FRONT SKEP ASSY		01
08A	0521067266	FRONT SKEP ASSY		01
08B	0581017671	TATU LOGO		01
08C	0503010001	3.2 X 5.5 RIVET		12
09.	0521049817	REAR SKEP ASSY		01
09.A	0521067267	REAR SKEP ASSY		01
09.B	0581017671	TATU LOGO		01
09.C	0503010001	3.2 X 5.5 RIVET		12
09.D	0511067982	PIVOT SHAFT BOX CYLINDER		01
09.E	0503010834	1/2 X 1 BOLT		01
09.F	0503010019	1/2" SPRING WASHER		01
09.G	0503013229	LATERAL BAND		03



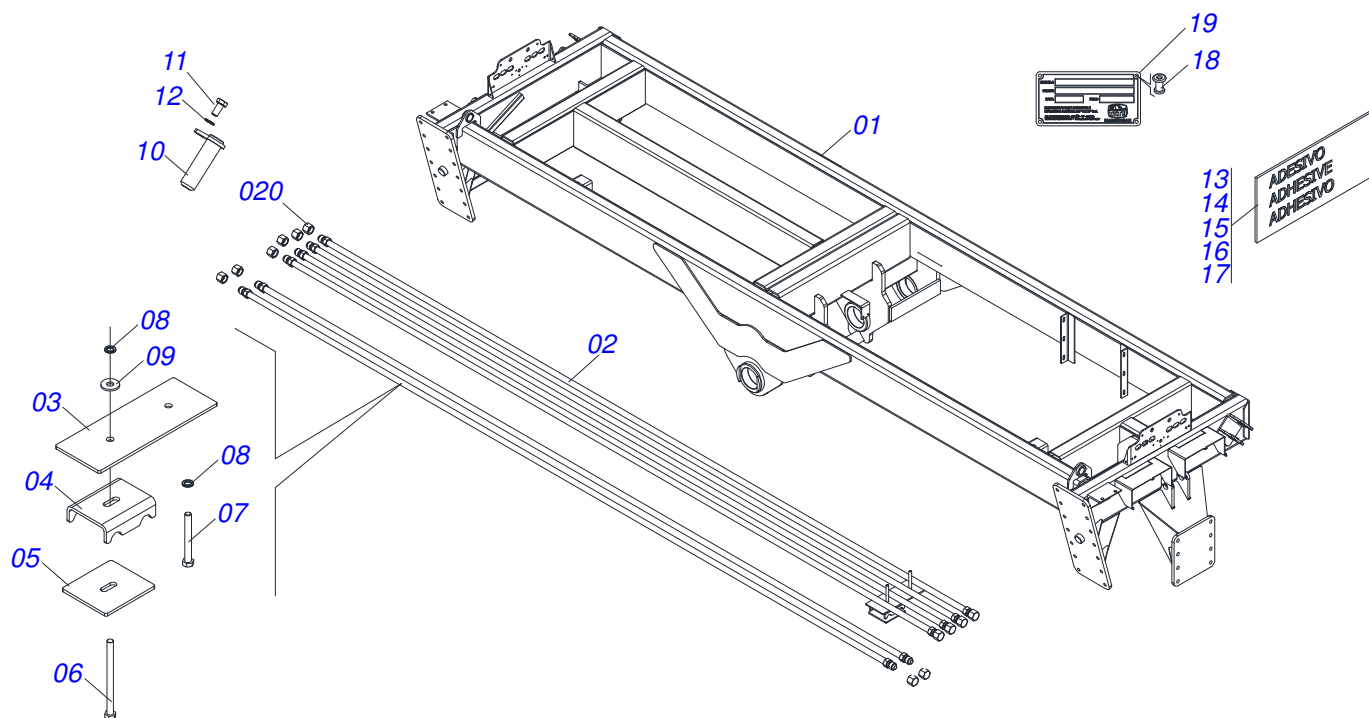
CENTRAL HEADER 1,90 (VEH)

0909098745

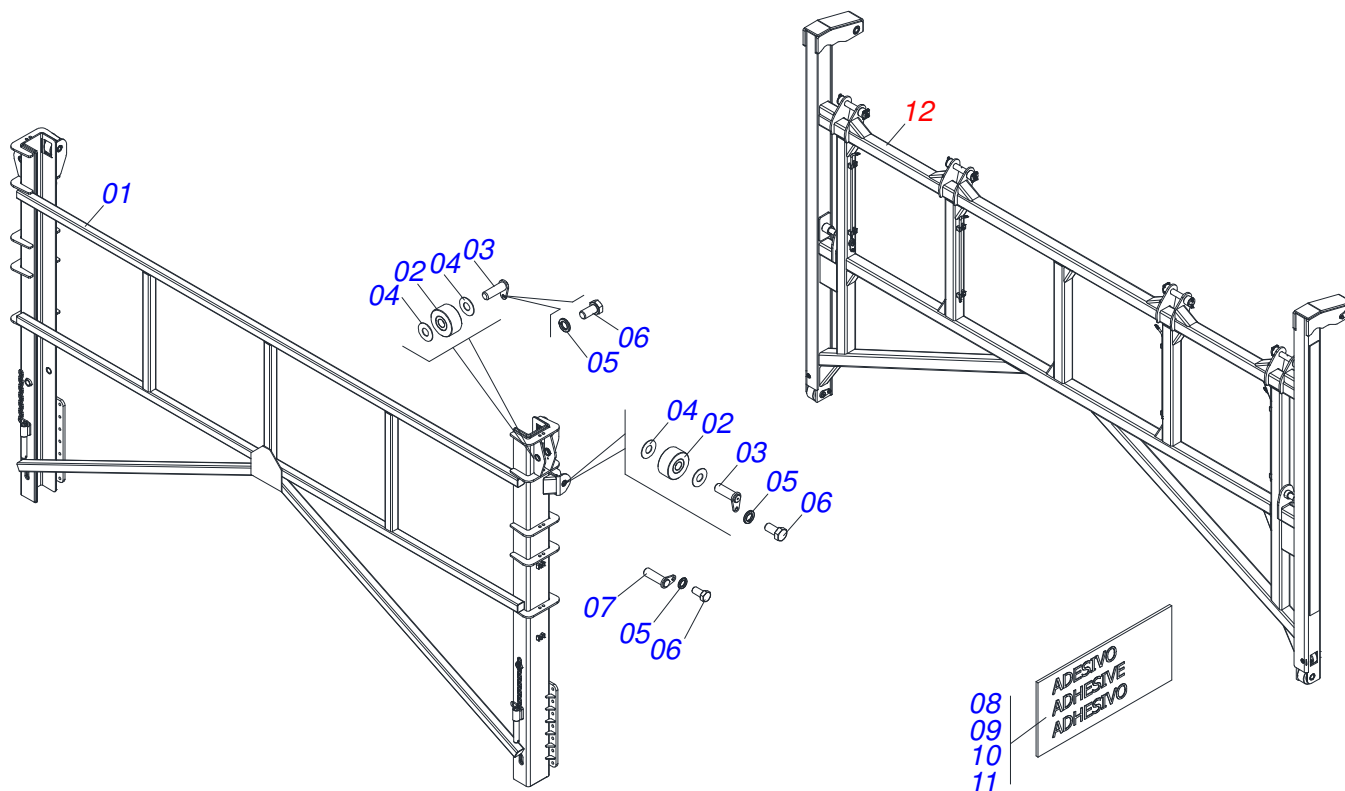
Item	Code	Description	See page	QT
10.	0521022714	HYDRAULIC CYLINDER ASSY		01
10.A	0501100871	CABLE 960		04
10.B	0521045265	HYDRAULIC CYLINDER	12	02
10.C	0511047791	CILINDER ROCKER	13	02
10.D	0551010235	COVER		14
11	0521067273	FRENCH HAND		02
12	0503061865	WHEELS AND TIRE		04
13	0551018157	LIFT CYLINDER BEARING HEEL		04
14	0581014621	REAR PANEL PROTECTION		01
15	0561014113	PROTECTION BOX HEADLIGHT		2
16	0511068779	GREASE TUBE GUIDE		04
17	0561016395	BIGGEST PLATE JUNCTION BASKET		06
18	0561014353	LEFT PARTS BASKET		01
19	0561012235	PARTS BASKET		01
20	0503014120	CHAIN		1
21	0503014321	CABLE STEEL SHACKLE		2
22	0503060100	OPERATOR'S MANUAL STORAGE TUBE		1
23	0503010371	5/16" X 1" BOLT		1
24	0503010179	5/16" ZN SPRING WASHER		1
25	0503010337	5/16" NUT		1
26	0521061206	FRAME STRUT		1
27	0521060566	PIN LOCK JACK		2
28	0503030085	LOCK PIN		2
29	0503032811	FLASHLIGHT		2
30	0521061379	HOSE HOLDER		1
31	0503010023	3/4" SPRING WASHER		1
32	0503010014	3/4" NUT		1
33	0511049091	HITCH FRONT	7	1
34	0511048421	HITCH REAR RACKET	8	1
35	0521054629	COROTE WATER 25 / 26L	11	01
36	0511068514	BEARING		02
37	0503010232	5/8" X 1.3/4" BOLT		04
38	0501012140	FLAT WASHER		04
39	0503010027	5/8" SPRING WASHER		04
40	0503010013	5/8" NUT		04
41	0503010256	3/8" X 3/4" BOLT		04
42	0503010025	3/8" SPRING WASHER		06
43	0503010026	3/8" NUT		04
44	0503010002	1800 GREASE FITTING		02
45	0561012738	PROTECTION VALVE		01



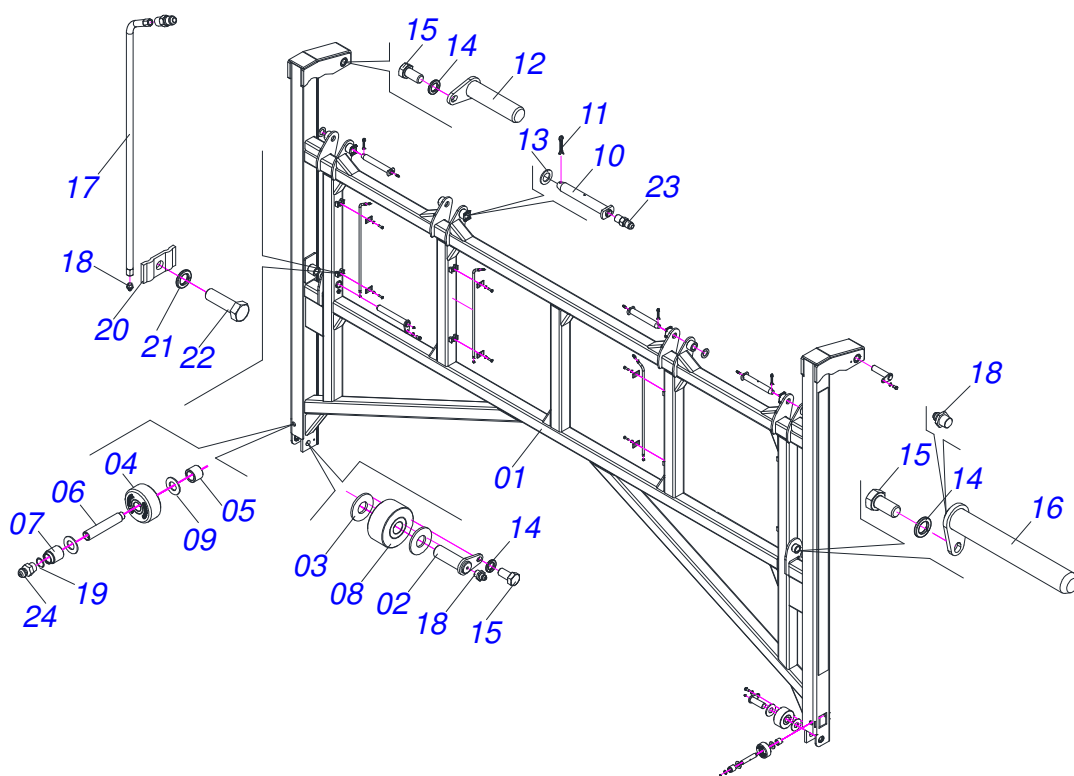
Item	Code	Description	See page	QT
001	0521046744	FRAME HEADER OFFSET	4	01
002	0521049782	FRAME BASE SEMI ASSEMBLE	3	01
003	0521067273	FRENCH HAND		02
004	0521065778	AXLE		04
005	0503010834	1/2 X 1 BOLT		04
006	0503010019	1/2" SPRING WASHER		04
007	0501010125	3/4" X 2-1/2" BOLT		28
008	0503011255	3/4" LOCK NUT		28
009	0503010023	3/4" SPRING WASHER		28



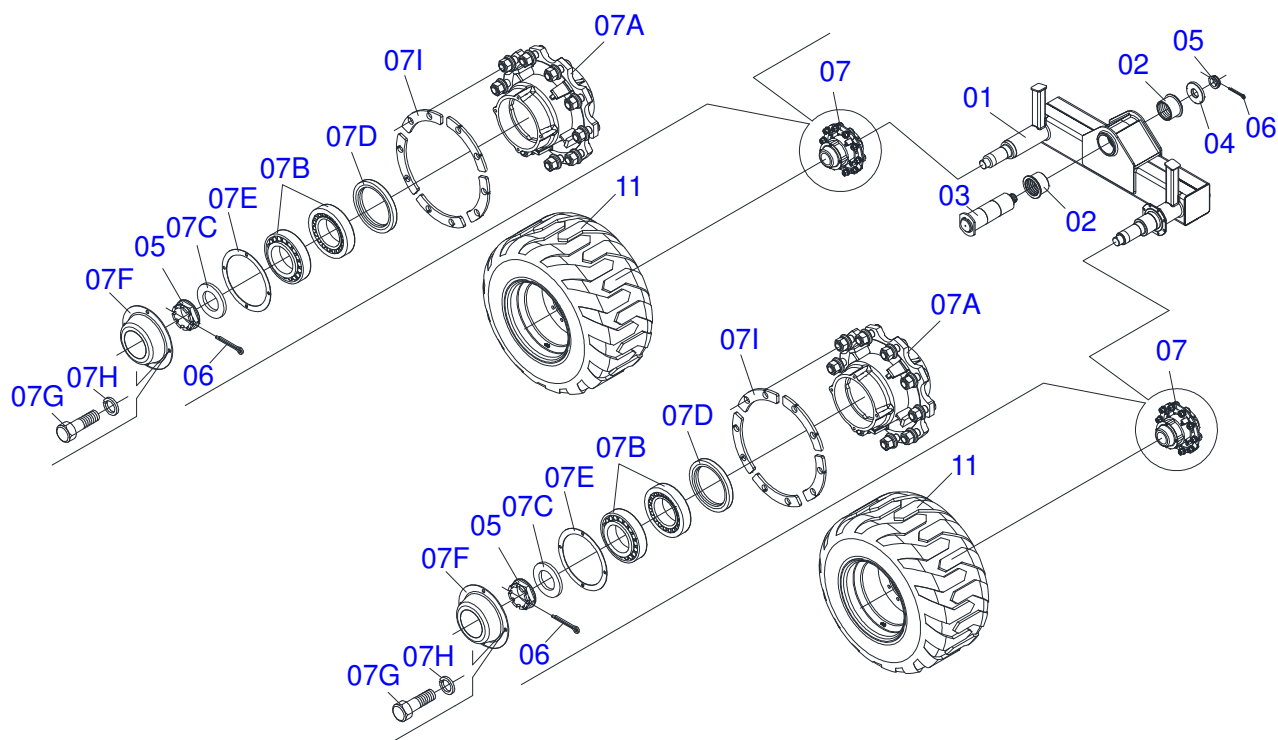
Item	Code	Description	See page	QT
001	0521067265	FRAME BASE	01	01
002	0511068699	TUBE COMMUNICATION	06	06
003	0551015937	FIXER PLATE PIPING	02	02
004	0561013211	FIXER LOWER TUBING	02	02
005	0561013212	PLATE LOWER FIXER	02	02
006	0503011124	3/8" X 5" BOLT	02	02
007	0503013665	SCREW 3/8 UNC X 3.1/4 C S RP G.2 ZN	02	02
008	0503010025	3/8" SPRING WASHER	04	04
009	0501010984	FLAT WASHER	02	02
010	0521065778	AXLE	02	02
011	0503010834	1/2 X 1 BOLT	02	02
012	0503010019	1/2" SPRING WASHER	02	02
013	0503032818	ATTENTION BADGE	02	02
014	0503031087	ADHESIVE LABEL	01	01
015	0503031739	DECAL, DANGER	02	02
016	0503032526	STATIONARY BRAKE VALVE EMBLEM	01	01
017	0503031827	LUBRICATE AND RETIGHTEN DAILY DECAL	02	02
018	0503010001	3.2 X 5.5 RIVET	04	04
019	0503034003	SERIAL NUMBER TAG 61 X 118	01	01
020	0551010235	COVER	12	12



Item	Code	Description	See page	QT
001	0521067272	CENTER FRAME		01
002	0501110526	LOWER PULLEY		04
003	0511067985	PIN UPPER PULLEY		04
004	0551014871	FLAT WASHER		08
005	0503010019	1/2" SPRING WASHER		06
006	0503010834	1/2 X 1 BOLT		06
007	0521065778	AXLE		02
008	0503031942	ADHESIVE LABEL		01
009	0503031428	READ MANUAL DECAL		01
010	0503032817	EMBLEM DANGER SAFETY		02
011	0503013229	LATERAL BAND		04
012	0511047991	1,90 LIFT ASSY	5	01

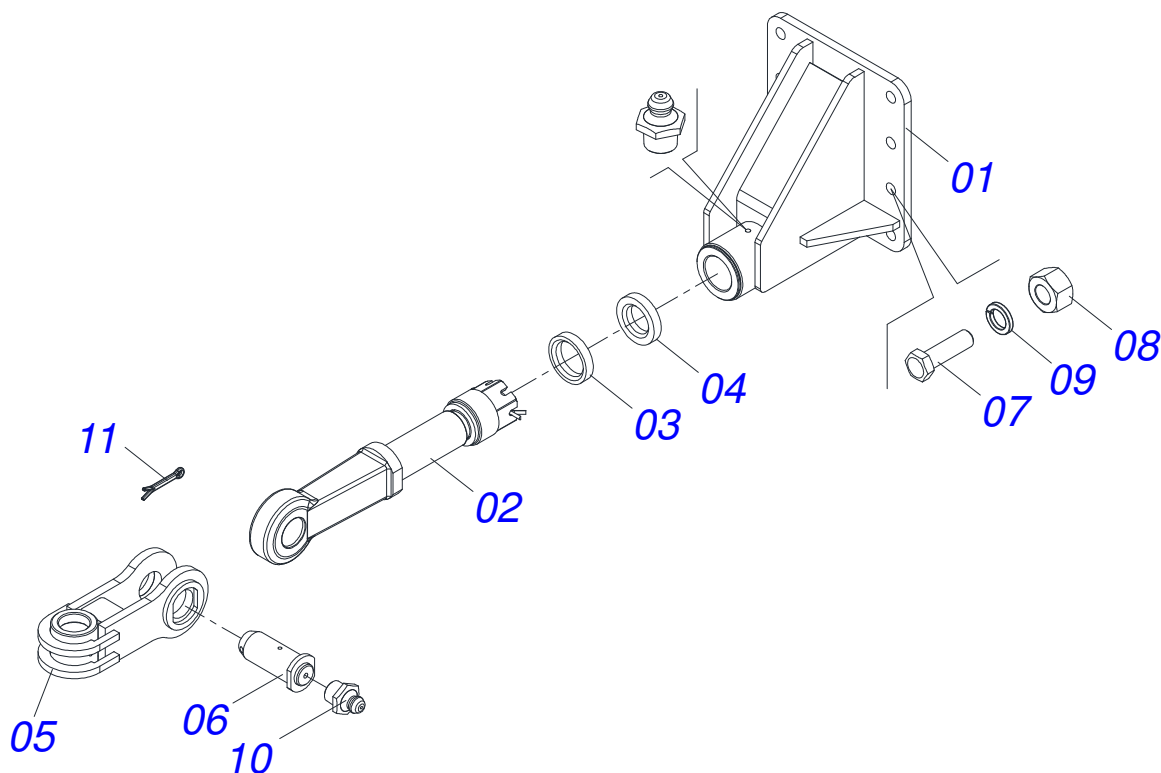


Item	Code	Description	See page	QT
00	0511047991	1,90 LIFT ASSY	5	
01	0511069074	LIFT		01
02	0511068766	PIN POULIE 38,1 X 110		02
03	0551015940	FLAT WASHER		04
04	0501110540	PULLEY SIDE ELEVATION		02
05	0551014873	SLEEVE		02
06	0551014860	PIN LOWER SIDE LIFT		02
07	0551014874	SLEEVE		02
08	0501110526	LOWER PULLEY		02
09	0551014872	FLAT WASHER		04
10	0511068336	PIVOT SHAFT SKEP		04
11	0503010534	3/8 X 2-1/2 COTTERPIN		04
12	0511068767	PIN FIXER		02
13	0501012916	FLAT WASHER 38,50 X 66 X 4,75 ZN		04
14	0503010019	1/2" SPRING WASHER		06
15	0503010834	1/2 X 1 BOLT		06
16	0511067983	PIVOT SHAFT		02
17	0511068768	GREASE TUBE LIFT		04
18	0503010002	1800 GREASE FITTING		08
19	0503014307	SEAL RING		02
20	0531011180	UPPER BODY CLIP		08
21	0503010025	3/8" SPRING WASHER		08
22	0503010751	C3/8" X 1.1/4" HEX BOLT G.5		08
23	0503012776	1/8" NF NIPPLE		08
24	0503010691	1/4" GREASE FITTING		02



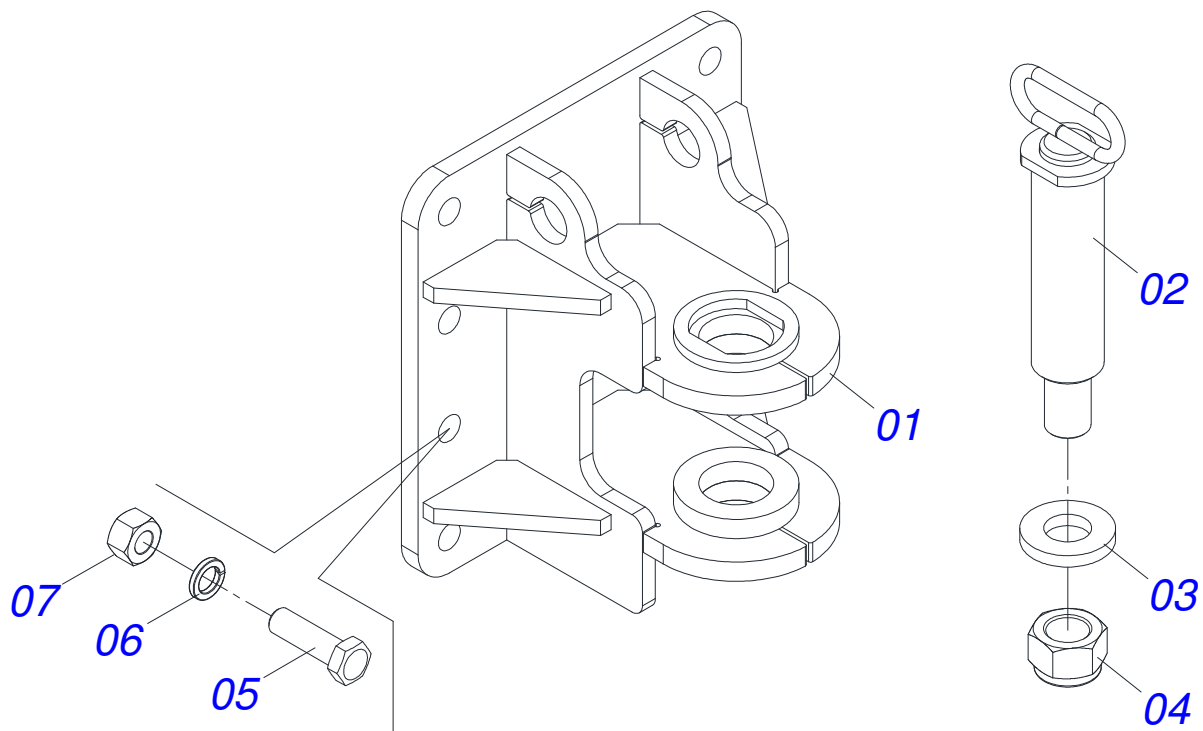
Item	Code	Description	See page	QT
01	0521050366	LEFT AND RIGHT BALANCE SHEET		01
02	0531016429	BUSHING		02
03	0521062517	PIVOT SHAFT		01
04	0551012036	FLAT WASHER		01
05	0581013528	FLANGED NUT		01
06	0503012213	1/4" COTTERPIN		01
07	0511045858	WHEEL HUB		02
07A	0501110771	CARRYING WHEEL HUB		01
07B	0503010118	32218 ROLLER BEARING		02
07C	0531019986	64 X 110 X 9.5 FLAT WASHER		01
07D	0503013541	SEAL		01
07E	0503013548	DUST CAP		01
07F	0503013549	HUB CUP		01
07G	0503013546	10 X 1.5 X 20MM BOLT		04
07H	0503013542	M10 SPRING WASHER		04
07I	0561015521	FLANGE		20
07K	1882970002	GREASE SOAP		01
09	0503010002	1800 GREASE FITTING		01

HITCH FRONT

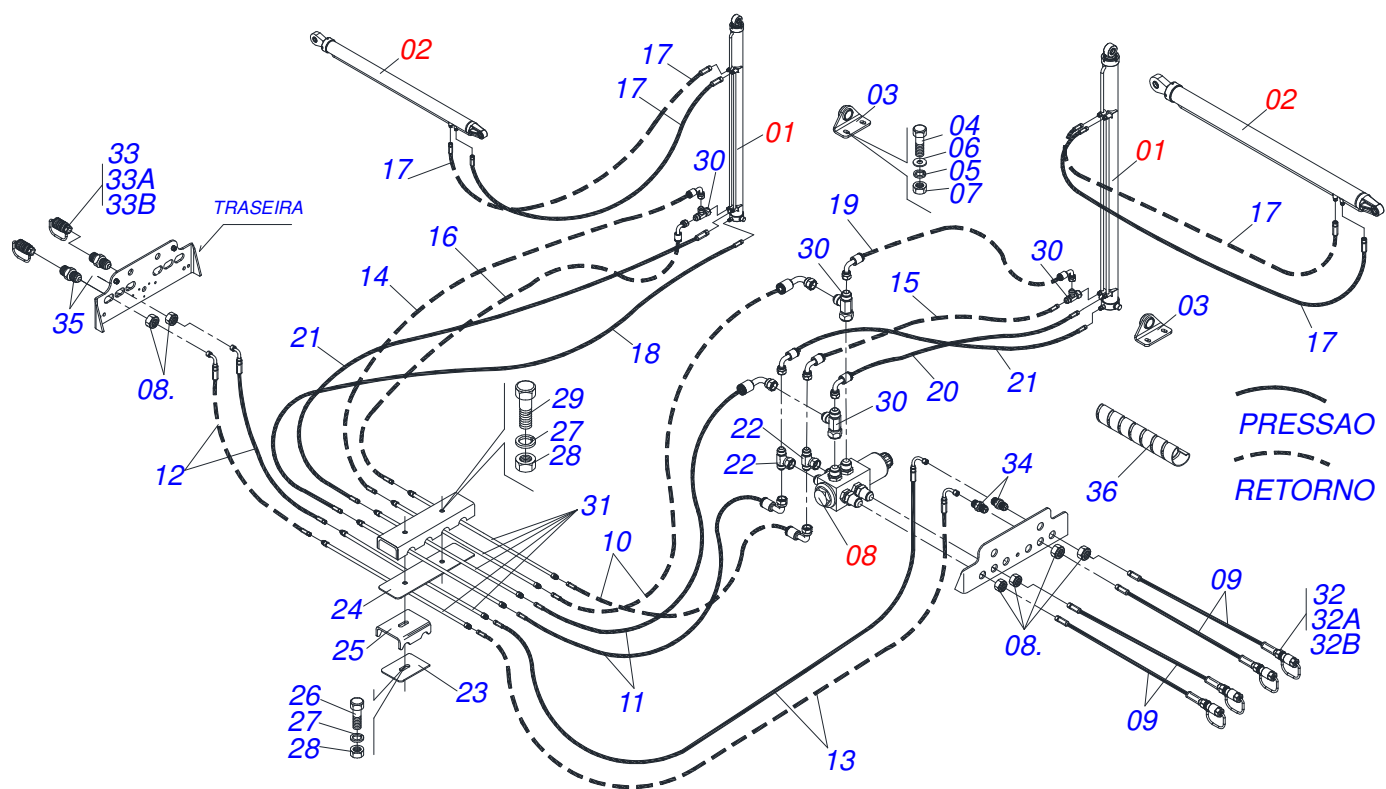


Item	Code	Description	See page	QT
001	0521061202	HITCH FRONT RACKET		01
002	0503061649	PONTEIRA HITCH SILPA		01
003	0551014852	FLAT WASHER		01
004	0551014853	FLAT WASHER		01
005	0511069237	HITCH INTERMEDIARY		01
006	0511069236	PIN ARTICULATION		01
007	0501010125	3/4" X 2-1/2" BOLT		08
008	0503010014	3/4" NUT		08
009	0503010023	3/4" SPRING WASHER		08
010	0503010002	1800 GREASE FITTING		02
011	0503010534	3/8 X 2-1/2 COTTERPIN		01

HITCH REAR RACKET



Item	Code	Description	See page	QT
001	0521061456	HITCH REAR RACKET		01
002	0511064850	HITCH PIN		01
003	0521013076	FLAT WASHER		01
004	0503010817	1.1/4" SELF LOCKING NUT		01
005	0501010125	3/4" X 2-1/2" BOLT		08
006	0503010023	3/4" SPRING WASHER		08
007	0503010014	3/4" NUT		08



Item	Code	Description	See page	QT
01	0521045265	HYDRAULIC CYLINDER	12	02
02	0511047791	CILINDER ROCKER	13	02
03	0511068514	BEARING		02
04	0503010232	5/8" X 1.3/4" BOLT		04
05	0503010027	5/8" SPRING WASHER		04
06	0501012140	FLAT WASHER		04
07	0503010013	5/8" NUT		04
08	0501059757	HYDRAULIC VALVE EL/HIDRAULIC ASSY	10	01
08.	0541016752	1.1/4"X 1.1/16" UN X 11 NUT HEX		06
09	0501081486	HOSE		02
10	0501081482	3/4 X 900 TR-TC 2T HOSE		02
11	0501081483	3/4 X 1000 TR-TC 2T HOSE		01
12	0501081484	3/4 X 1100 TR-TC 2T		01
13	0501081485	3/4 X 1300 TR-TC 2T HOSE		02
14	0501081479	3/4 X 650 TR-TC 2T HOSE		02
15	0501081197	3/4 X 600 TR-TC HOSE		01
16	0501081502	3/4 X 700 TR-TC 2T HOSE		02
17	0501081019	HOSE		04
18	0501081481	3/4 X 800 TR-TR 2T HOSE		01
19	0501080870	3/4 X 500 HOSE		01
20	0501081288	3/4 X 500 TR-TC HOSE		01
21	0501081320	3/4 X 600 TR-TR HOSE		01
22	0503013535	ADAPTER T TEE JIC 1.1/16		02
23	0551015937	FIXER PLATE PIPING		02
24	0561013211	FIXER LOWER TUBING		02
25	0561013212	PLATE LOWER FIXER		02
26	0503011124	3/8" X 5" BOLT		02
27	0503010025	3/8" SPRING WASHER		04
28	0503010026	3/8" NUT		04
29	0503013665	SCREW 3/8 UNC X 3.1/4 C S RP G.2 ZN		02
30	0503013534	ADAPTER T TEE		02

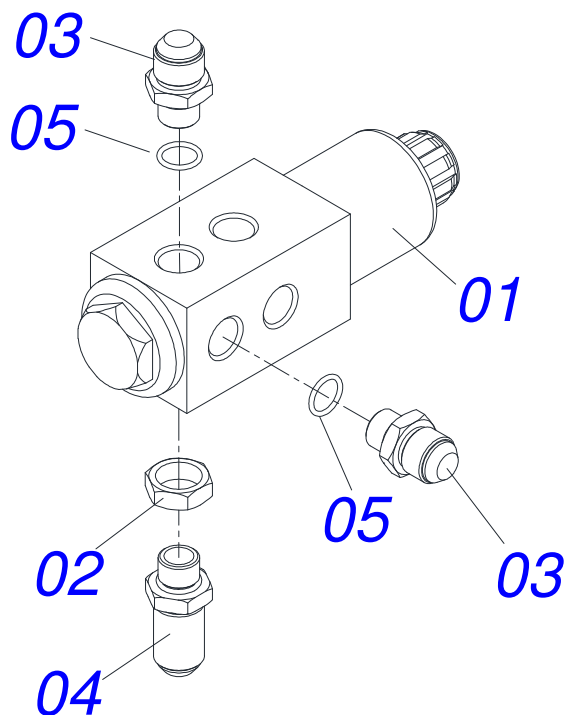


RACT 10500 C 1,90 RAQ F NO BRAKE VEH EXP
SYSTEM HYDRAULIC (VEH)

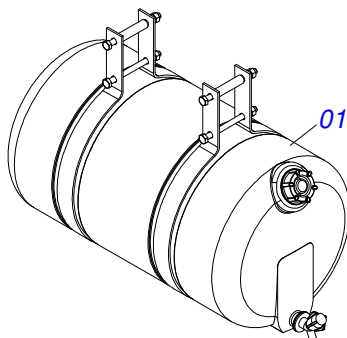
Page 9

0909098752

Item	Code	Description	See page	QT
31	0511068699	TUBE COMMUNICATION		06
32	0501053834	MALE QUICK COUPLER WITH CAP - 1/2 NPT		04
32A	0503011627	MALE QUICK COUPLER AGR 1/2 NPT		04
32B	0503011882	MALE QUICK COUPLER CAP		04
33	0501053835	FEMALE QUICK COUPLER		04
33A	0503011628	FEMALE QUICK COUPLER		04
33B	0503011883	QUICK CONNECTION COVER		04
34	0541016751	NIPPLE		02
35	0561011869	R.1.1/16 UNF X 1/2 NPT X 75,5 NIPPLE		05
36	0503014278	SPRING		02MT

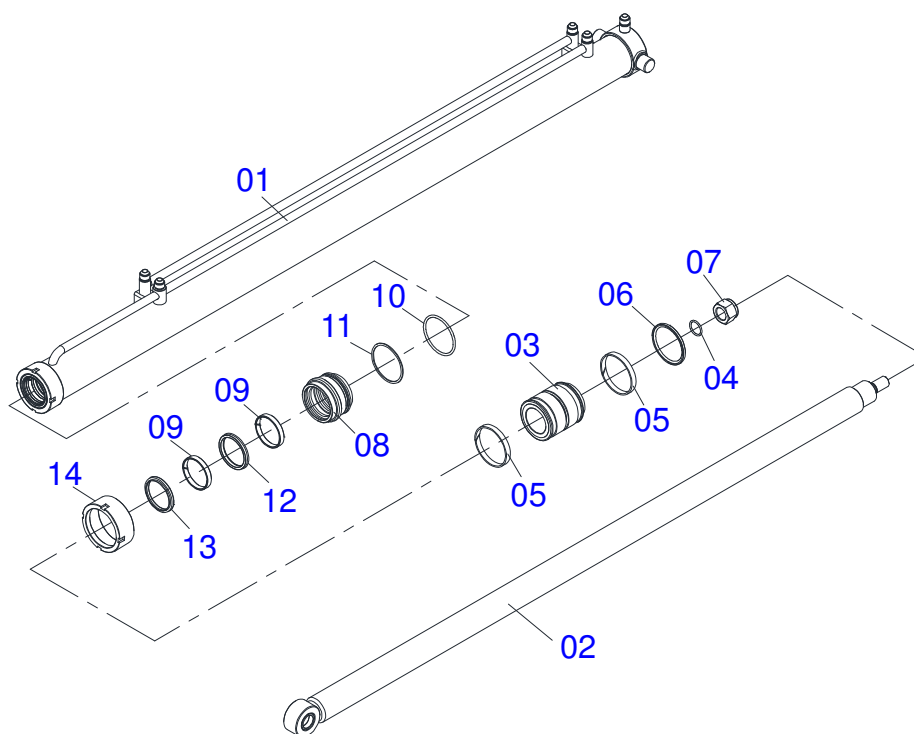


Item	Code	Description	See page	QT
001	0503015051	MWV VALVE		01
002	0541016752	1.1/4"X 1.1/16" UN X 11 NUT HEX		02
003	0561010527	NIPLE 1.1/16		04
004	0561010528	NIPLE 1.1 / 16		02
005	0503010045	2-116 N 3006-9B O'RING		06



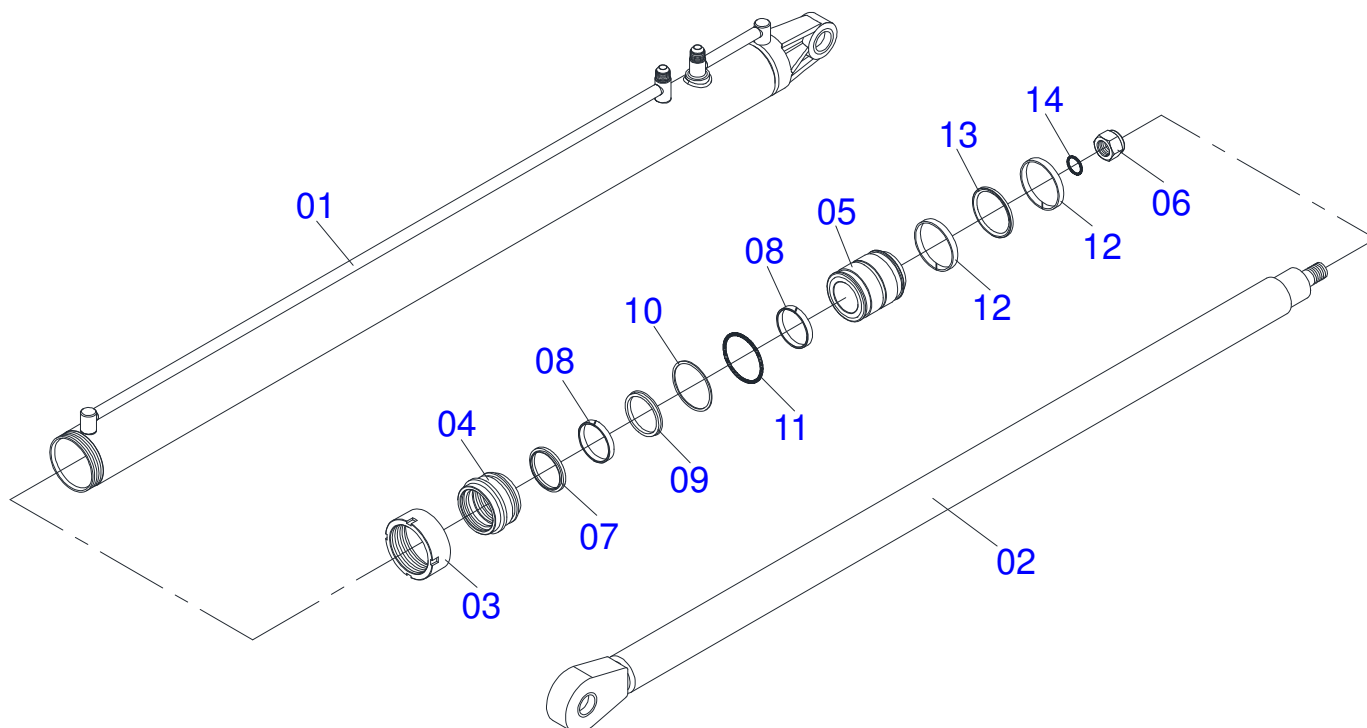
Item	Code	Description	See page	QT
01	0503014820	COROTE BLACK WATER		01
02	0503032532	EMBLEM WATER NOT POTAVEL		01

HYDRAULIC CYLINDER

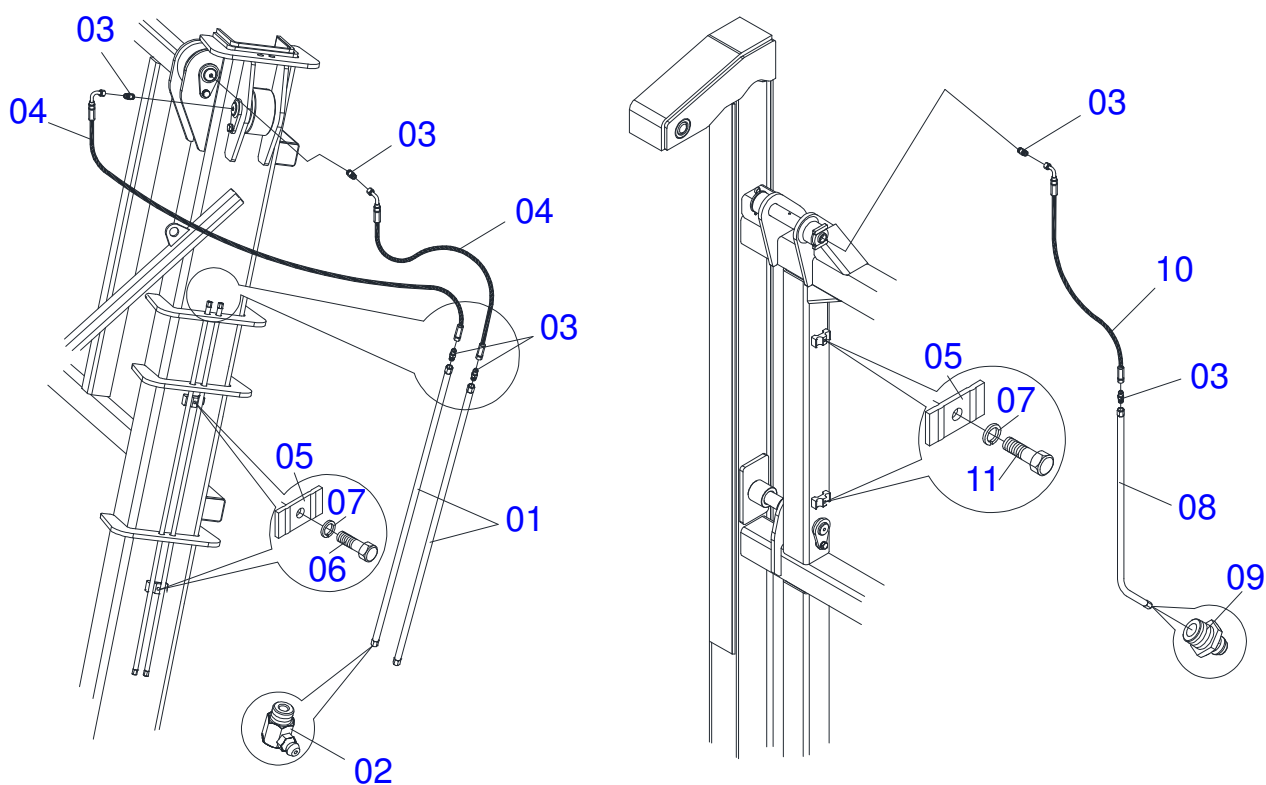


Item	Code	Description	See page	QT
01	0511068728	CYLINDER CASE LIFT		01
02	0511068729	ROD CILINDER ELEVATION		01
03	0551016446	101.6 X 63.5 PISTON		01
04	0503010345	2-218 N 3006-9B O'RING		01
05	0503010994	W2-4000-500 PK RING G.E		02
06	0503012725	GASKET		01
07	0503010817	1.1/4" SELF LOCKING NUT		01
08	0551016445	RING SUPPORT		01
09	0503013553	SEAL RING		02
10	0503010338	2-342 N 3006-9B O'RING		01
11	0503011061	8-342 BACK-UP RING		01
12	0503013552	GASKET		01
13	0503012642	D-3000 SCRAPER RING		01
14	0541019606	MOBILE COVER		01
15	0501037860	HYDRAULIC CYLINDER REPAIR KIT		

CILINDER ROCKER



Item	Code	Description	See page	QT
01	0521060538	CYLINDER CASE		01
02	0521060537	ROD CILINDER ROCKER		01
03	0541019606	MOBILE COVER		01
04	0551016445	RING SUPPORT		01
05	0551016446	101.6 X 63.5 PISTON		01
06	0503010817	1.1/4" SELF LOCKING NUT		01
07	0503012642	D-3000 SCRAPER RING		01
08	0503013553	SEAL RING		02
09	0503013552	GASKET		01
10	0503011061	8-342 BACK-UP RING		01
11	0503010338	2-342 N 3006-9B O'RING		01
12	0503010994	W2-4000-500 PK RING G.E		02
13	0503012725	GASKET		01
14	0503010345	2-218 N 3006-9B O'RING		01
15	0501037860	HYDRAULIC CYLINDER REPAIR KIT		



Item	Code	Description	See page	QT
01	0511068779	GREASE TUBE GUIDE		04
02	0503010004	1890 GREASE FITTING		04
03	0503012776	1/8" NF NIPPLE		16
04	0501081157	1/4 X 600 HOSE		04
05	0531011180	UPPER BODY CLIP		12
06	0503010237	3/8" X 1" BOLT		04
07	0503010025	3/8" SPRING WASHER		12
08	0511069598	GREASE TUBE		04
09	0503010002	1800 GREASE FITTING		04
10	0501081289	1/4 X 400 TR-TC HOSE		04
11	0503010751	C3/8" X 1.1/4" HEX BOLT G.5		08



www.marchesan.com.br



Technical Publications | Elaboration and Revision
JOSÉ DOMINGOS GASPARI